



# ***Operator's Manual Supplement***

## ***Lift Tools™ Material Carrier***

***GS™-2669***

***GS™-3369***

***GS™-3384***

***GS™-3390***

***GS™-4069***

***GS™-4390***

***GS™-5390***

***ANSI/CSA Models***

from GS6914-3662  
from GS6914-5000  
from GS69F-10500  
from GS84-40000  
from GS90-40001

Original Instructions  
First Edition  
Third Printing  
Part No. 1288240GT

# Introduction

## Important

Read, understand and obey these safety rules and operating instructions before operating this machine. Only trained and authorized personnel shall be permitted to operate this machine. This manual should be considered a permanent part of your machine and should remain with the machine at all times. If you have any questions, contact us.

## Contact Us:

Internet: [www.genielift.com](http://www.genielift.com)

E-mail: [awp.techpub@terex.com](mailto:awp.techpub@terex.com)

## Approved Model

Models	From Serial Number
GS™-2669 BE / GS™-3369 BE / GS™-4069 BE	GS6914-5000
GS™-2669 DC / GS™-3369 DC / GS™-4069 DC	GS6914-3662
GS™-2669 RT	GS69F-10500
GS™-3384	GS84-40000
GS™-3390	GS90-40001
GS™-4390	GS90-40001
GS™-5390	GS90-40001

### WARNING

Do not install the Lift Tool Material Carrier on any Genie product other than the approved models.

Copyright © 2021 by Terex Corporation

First Edition: Third Printing, July 2021

Genie is a registered trademark of Terex South Dakota, Inc. in the U.S.A. and many other countries. "GS" is a trademark of Terex South Dakota, Inc.

These machines comply with  
ANSI/SAIA A92.20  
CAN/CSA B354.6



## Introduction



---

### Danger

Failure to obey the instructions and safety rules in this manual will result in death or serious injury.

**Note:** These installation instructions only apply to the Genie models listed on the front cover.

---

### **▲ Material Carrier Safety**

Read, understand and obey all warnings and instructions provided with the material carrier.

Do not exceed the rated platform capacity. The weight of the material carrier assembly will reduce the rated platform capacity and must be subtracted from the total platform load.

The material carrier assembly weighs 80 lbs/36 kg.

Be sure the material carrier is securely installed.

When the material carrier assembly is attached, this manual should be considered a permanent part of your machine and should remain with the machine at all times.

### Symbol and Hazard Pictorials Definitions



Material Carrier weighs 80 lbs/36 kg.



Read the supplement manual, part number 1288240GT.

# Introduction

## Pre-operation Inspection

- Be sure that the operator's, safety manual, responsibilities manual and any necessary supplements are complete, legible and in the storage container located in the platform.
- Be sure that all decals are legible and in place.
- Inspect the work area for obstructions that could inhibit safe loading and unloading of the Material Carrier.

Check the Material Carrier for damage, improperly installed or missing parts and unauthorized modifications.

- Nuts, bolts and other fasteners
- Cracks in structural components
- Dents or damage to the Material Carrier

## Decal Inspection

Use the inspection to verify that all decals are legible and in place.

Part No.	Decal Description	Qty
1287851GT	Decal, Max Capacity	2

# Installation Instructions



## Observe and Obey:

- This procedure shall be completed by a person authorized to install the Material Carrier.
- Immediately tag and remove from service a damaged or malfunctioning machine.
- Repair any machine damage or malfunction before operating the machine.

## Before Starting Installation:

- Read, understand and obey the safety rules and operating instructions in the appropriate operator's manual.
- Be sure that all necessary tools and parts are available and ready for use.
- Read this procedure completely and adhere to the instructions. Attempting shortcuts may produce hazardous conditions.

## Tools Required:

- 3/8 inch wrench
- 7/16 inch wrench
- 9/16 inch wrench
- 3/4 inch wrench
- 3/8 inch socket
- 7/16 inch socket
- 9/16 inch socket
- 3/4 inch socket
- Ratchet

## Components of Kit 1288239GT

Description	Genie part number	Qty.
U-bolt, 3/8-16 x 2 x 3, PLTD	131681GT	8
Screw, HHF, 1/2-13 x 3.24, Gr 8, ZAG	1256850GT	2
Nylock flange nut, 1/2-13, G, ZAG	1274172GT	2
Nylock flange nut, 3/8-16, G, ZAG	1274322GT	16
Assembly, Material carrier post	1289762GT	2
Weldment, Rail attachment	1288628GT	4
Weldment, Base	1288629GT	2
Installation instructions	1288240GT	1



## Installation Instructions

Note: Perform this procedure on a firm, level surface with the machine in the stowed position.

Note: Refer to the illustrations for the material carrier mounting locations.

**Note: The material carrier mounted to the railing of the extension deck must be located within the perimeter of the main deck whether the platform extension deck is retracted or extended.**

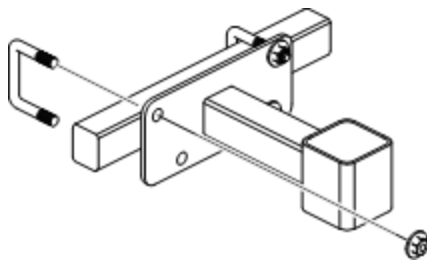
**Note: Ensure the location of the Material Carrier with load does not interfere with entering or exiting through the platform gate.**

### ⚠ WARNING

Tip over hazard. Failure to mount the material carrier as instructed, could result in the machine tipping over, causing death or serious injury.

- 1 Mount the rail attachments to the platform using U-bolts and nylock flange nuts. Hand tighten. Genie part number 1288658GT, 131681GT, 1274322GT.

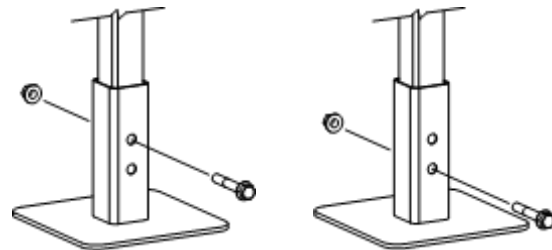
Note: Remove and discard the hex nuts and flat washers supplied with the U-bolts.



- 2 Insert the material carrier post assemblies into the rail attachments. Genie part number 1289762GT.

Note: The ratchet straps must be located towards the center of the machine.

- 3 Secure the base weldment to the post using the provided retaining fasteners. Torque to 31 ft-lbs / 42 Nm. Genie part number 1288629GT, 1256850GT, 1274172GT.



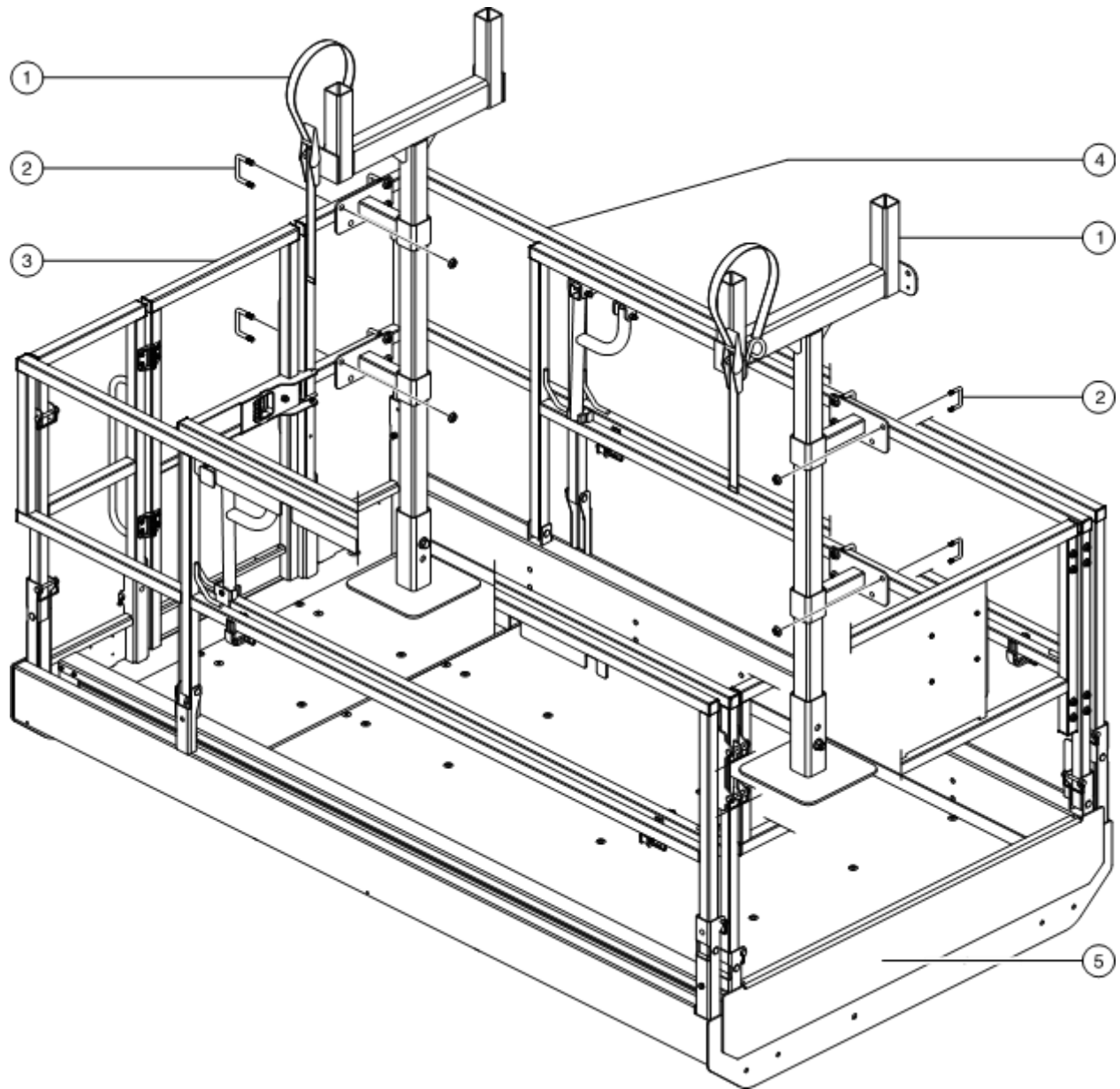
main deck

extension deck

- 4 Secure the material carrier to the extension deck railing. Torque to 31 ft-lbs / 42 Nm.
- 5 Align the material carriers and tighten the U-bolts. Torque to 31 ft-lbs / 42 Nm.
- 6 Insert the supplement Operator's Manual into the manual storage box located in the platform.

# Installation Instructions

## Deck Retracted



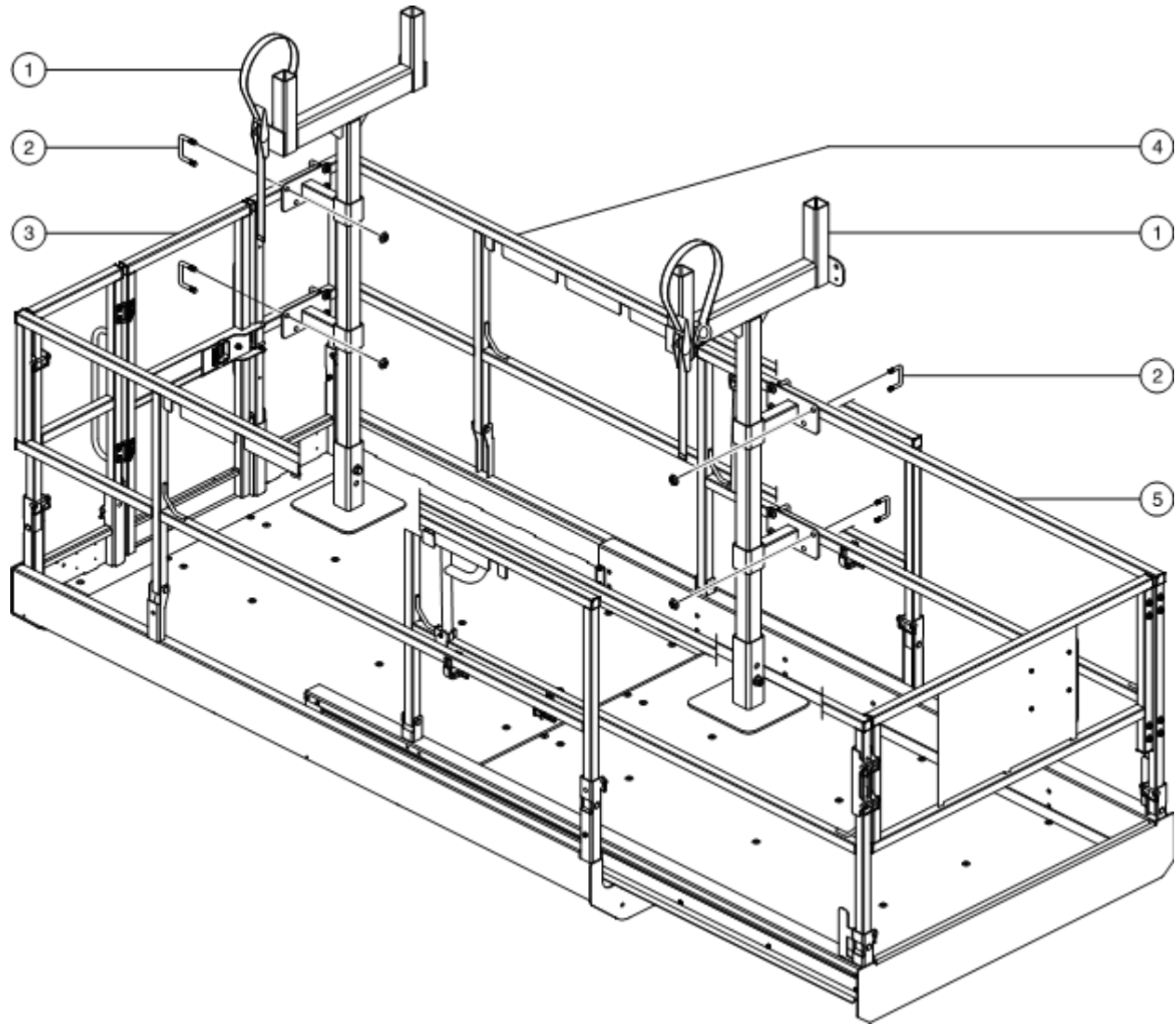
- 1 material carrier
- 2 U-bolt and nylock flange nut
- 3 swing gate

- 4 main deck
- 5 extension deck



# Installation Instructions

## Deck Extended



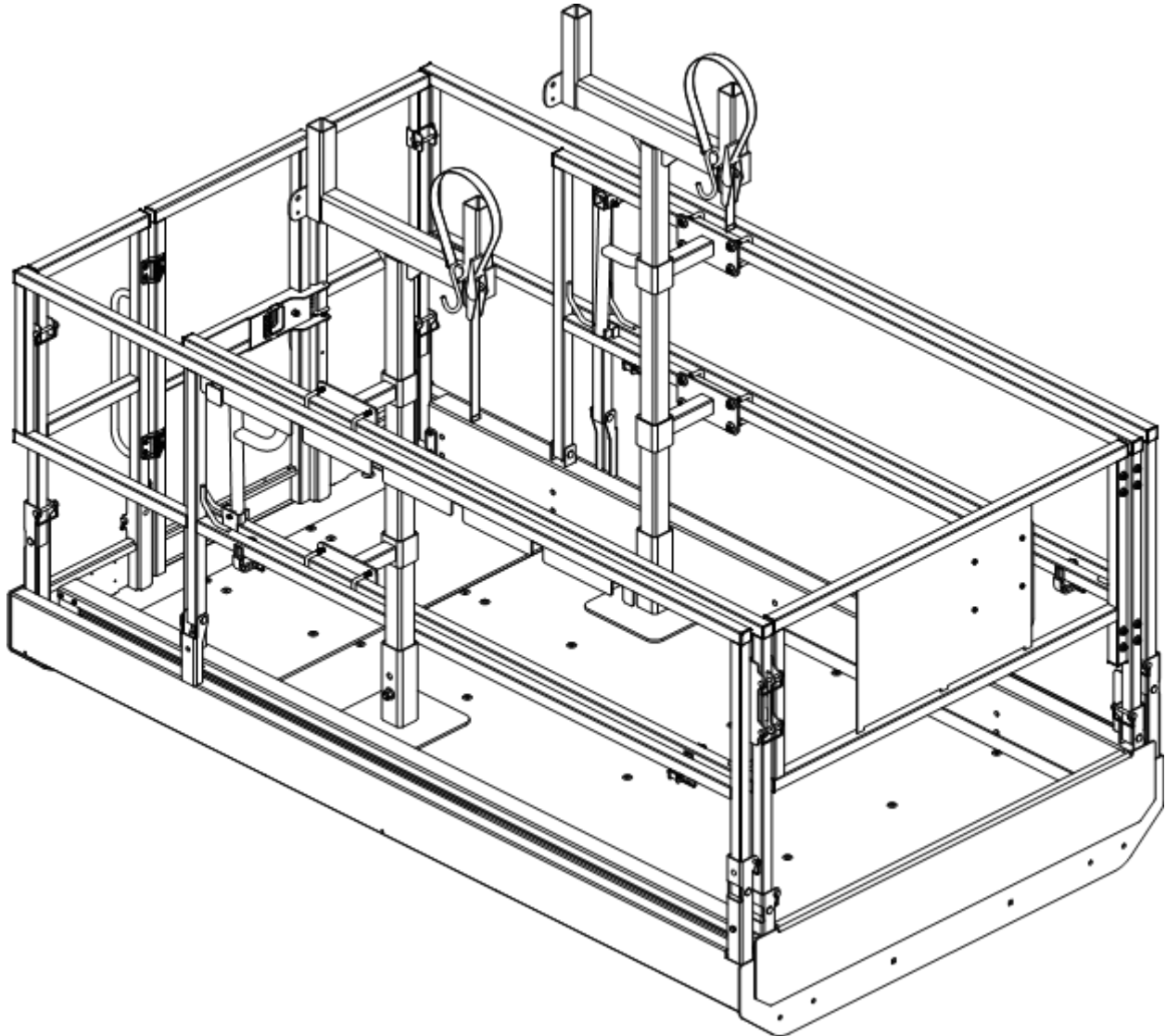
- 1 material carrier
- 2 U-bolt and nylock flange nut
- 3 swing gate
- 4 main deck
- 5 extension deck





# Installation Instructions

## Optional Location - Deck retracted



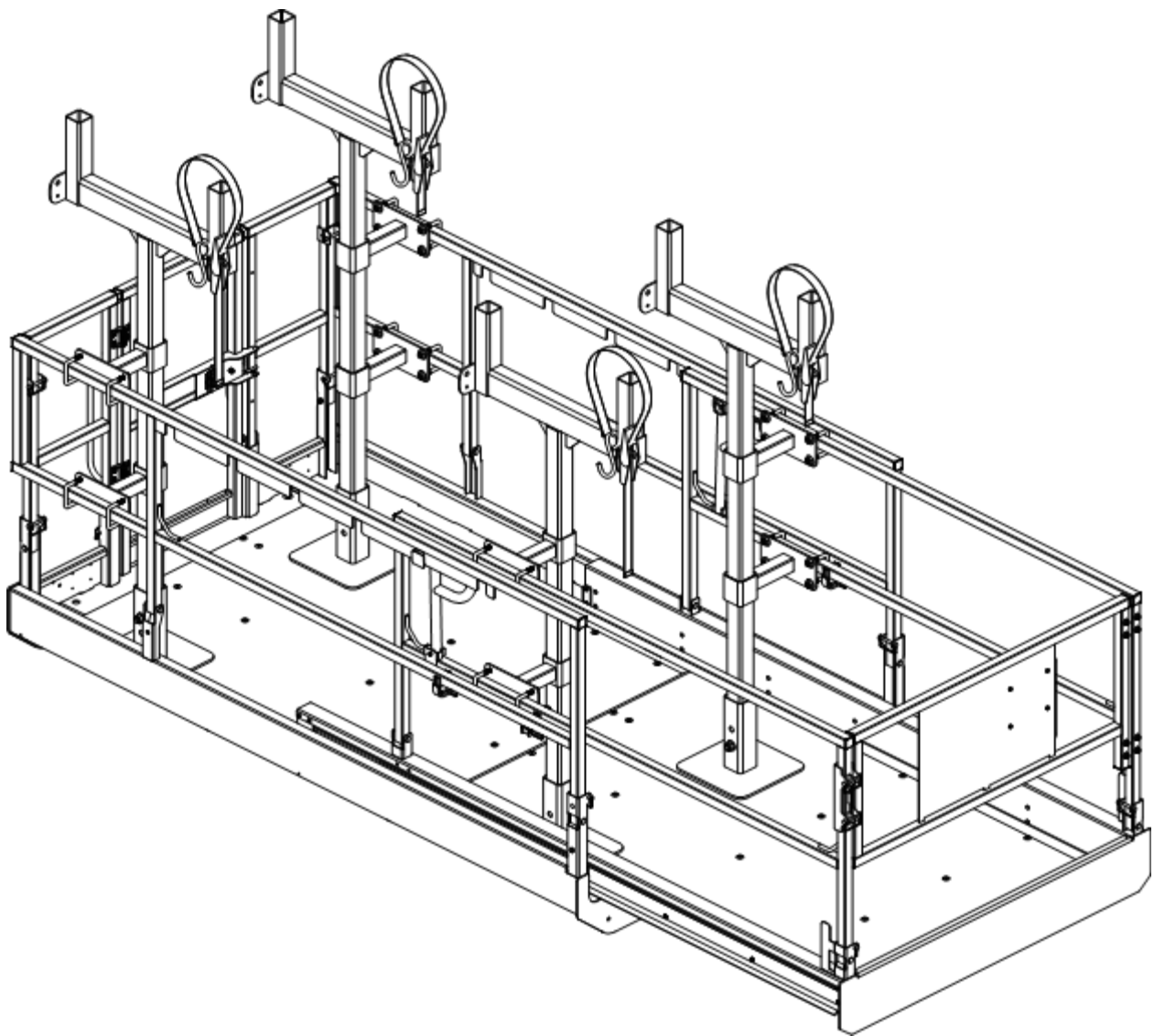
## Installation Instructions

### Optional Locations - Deck Extended

**Note:** Ensure the location of the Material Carrier with load does not interfere with entering or exiting through the platform gate.

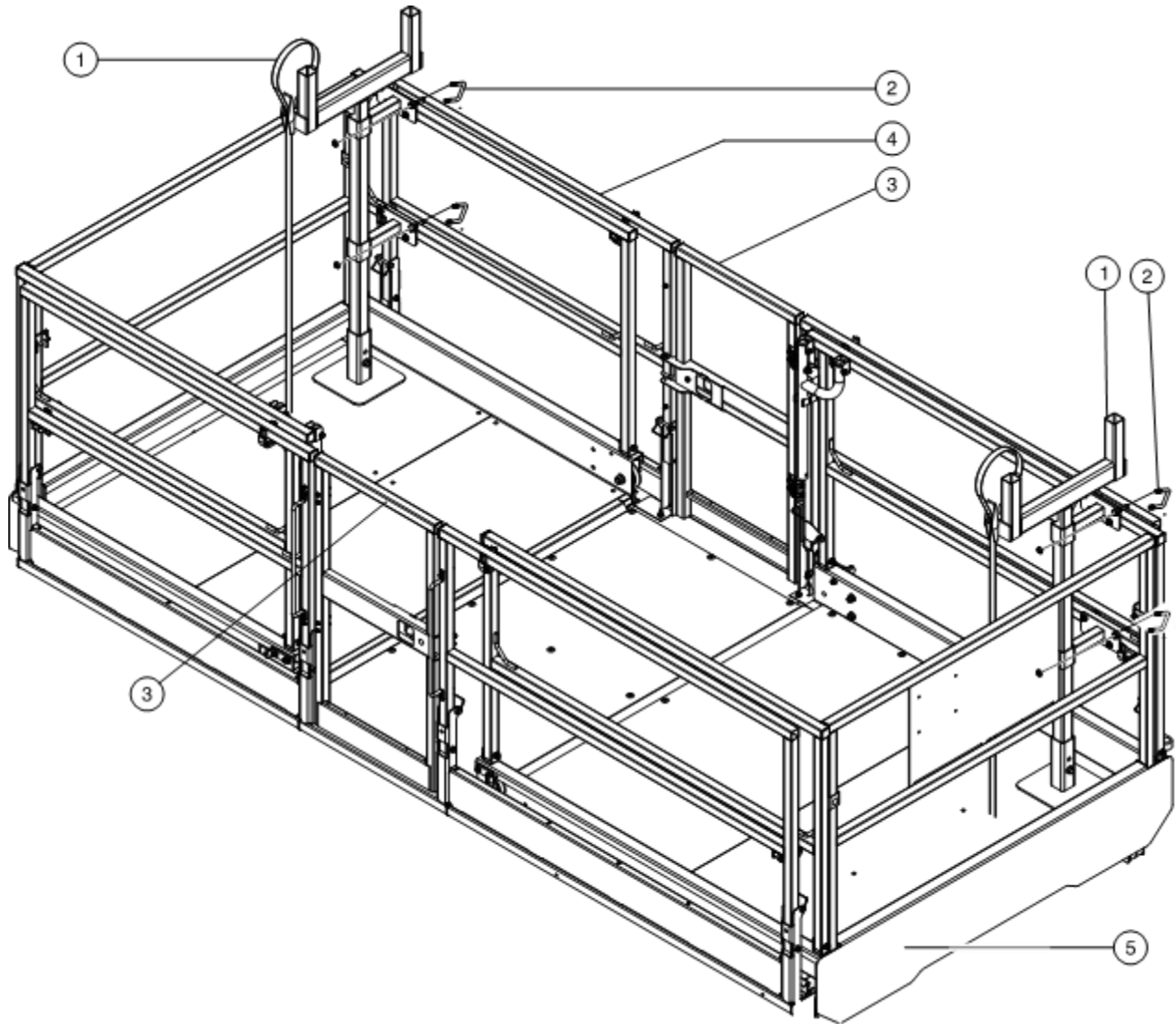
**▲ DANGER**

Tip-over hazard. Do not install more than one set of material carriers in the platform. The illustration represents the two possible locations the material carrier can be installed when the platform is extended.



# Installation Instructions

## Deck Retracted



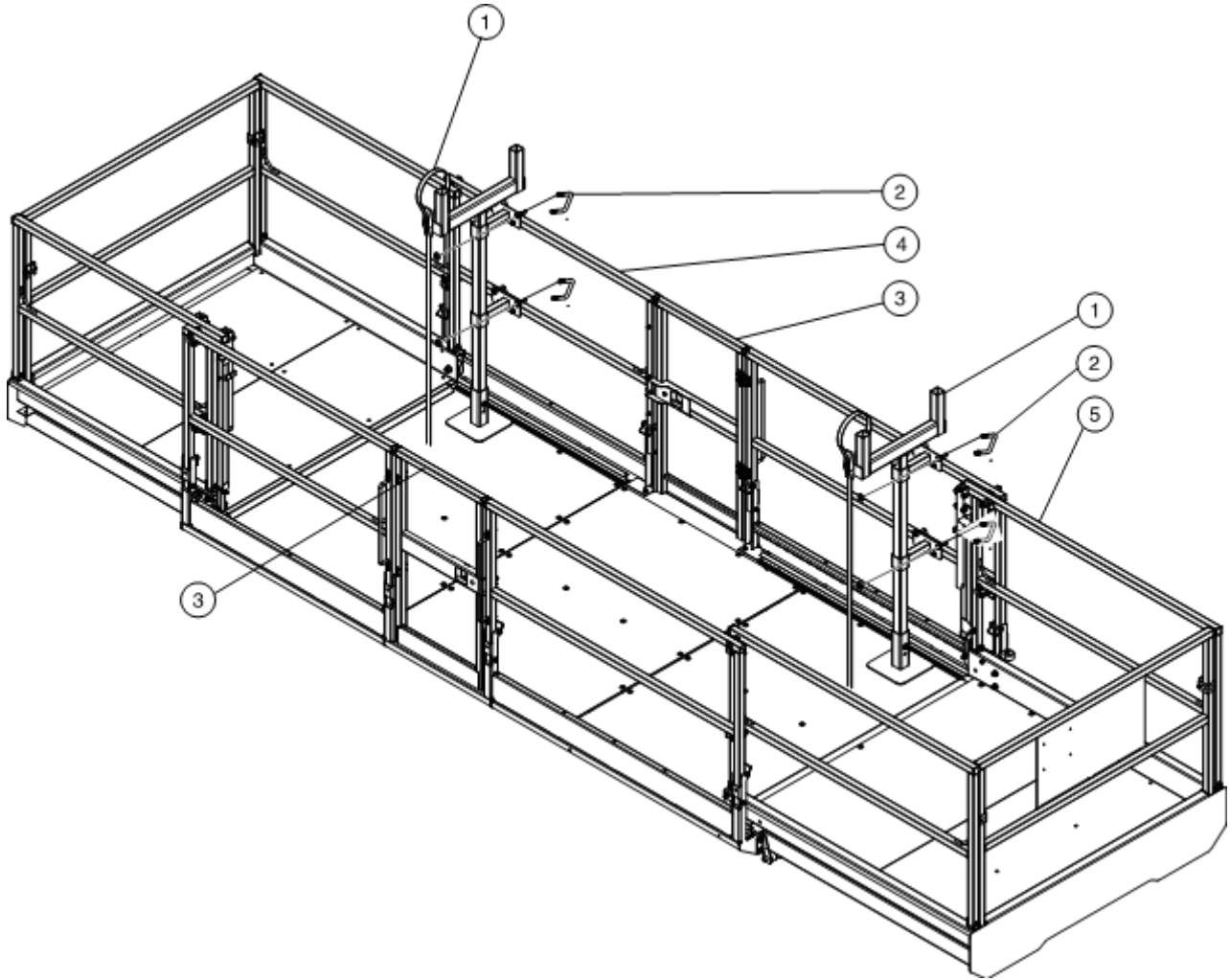
- 1 material carrier
- 2 U-bolt and nylock flange nut
- 3 swing gate

- 4 main deck
- 5 extension deck



# Installation Instructions

## Deck Extended

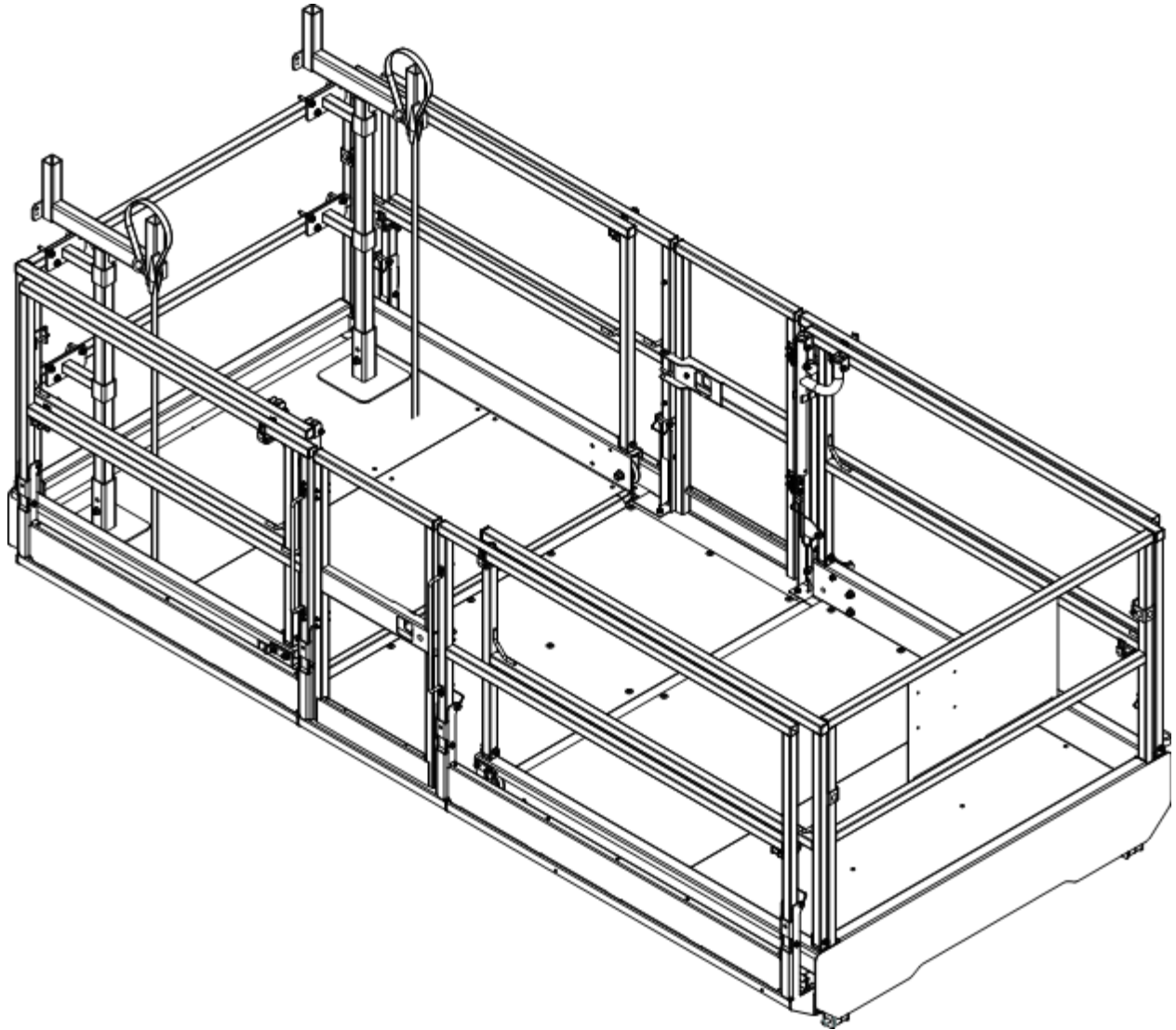


- 1 material carrier
- 2 U-bolt and nylock flange nut
- 3 swing gate
- 4 main deck
- 5 extension deck



# Installation Instructions

## Optional Location - Deck retracted

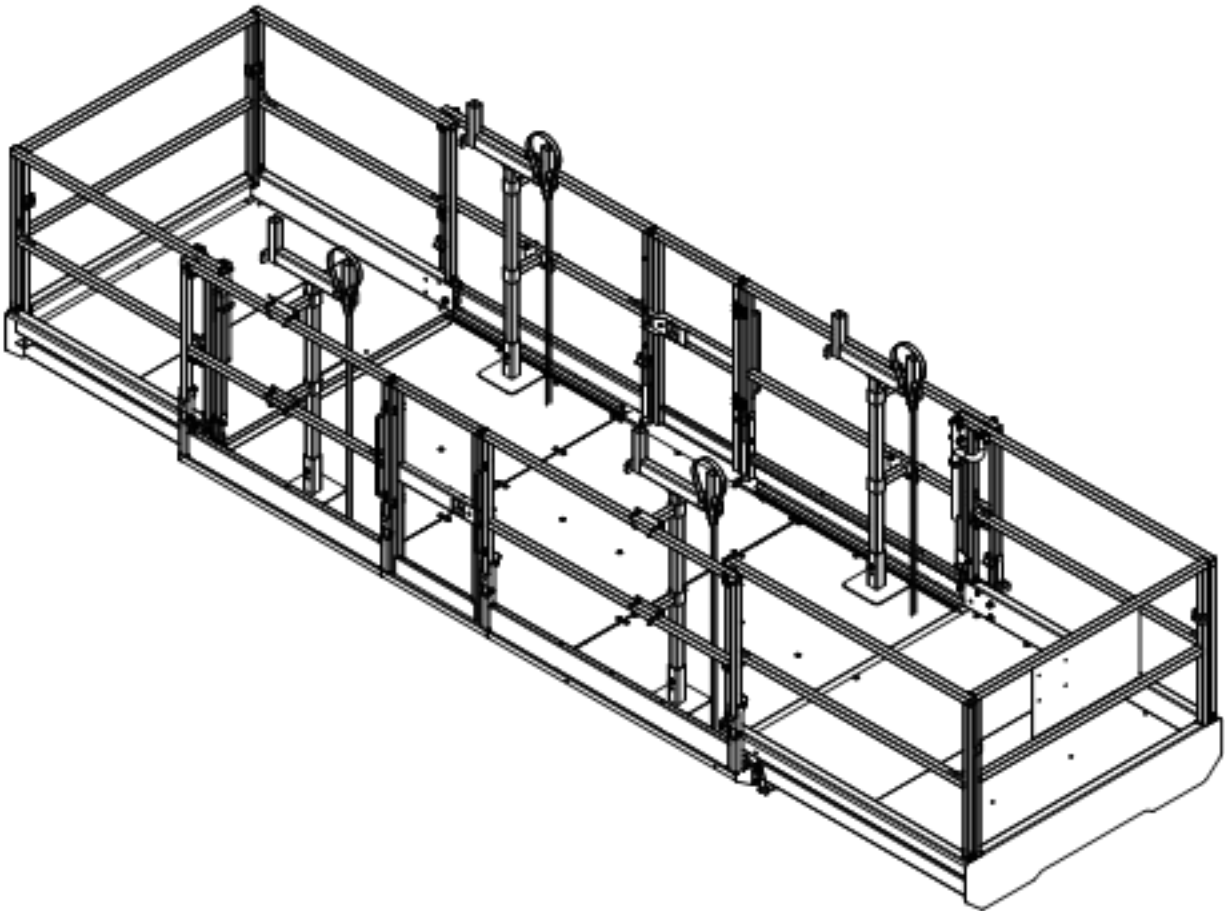


## Installation Instructions

### Optional Locations - Deck Extended

**⚠ DANGER**

Tip-over hazard. Do not install more than one set of material carriers in the platform. The illustration represents the two possible locations the material carrier can be installed when the platform is extended.



## Operating Instructions

### Material Carrier Operation

- 1 Verify the material carrier assembly and installation instructions have been followed properly; ensure the material carriers are in contact with the platform floor and secured to the platform railings.
- 2 Place the load so that it rests in both material carriers. The length of the load should be parallel with the platform.
- 3 Center the load in the material carrier.

**▲ WARNING** Tip-over hazard. The center of the load must be within the perimeter of the main deck of the platform.

- 4 Secure the load to each material carrier. Pass the nylon strap over the load. Connect the hook to the material carrier. Tighten the ratchet strap.
- 5 Gently push and pull on the load to make sure the material carriers and load are secure.

- 6 Keep the load secured when the machine is in motion.

**▲ WARNING** Tip-over hazard. If the load on the material carrier extends beyond the perimeter of the platform, ensure that it does not strike objects outside the platform while raising or lowering the platform.

**▲ WARNING** Tip-over hazard. The weight of the material carrier assembly and the load in the material carrier will reduce the platform capacity of the machine and must be factored into the total platform load.

**▲ WARNING** Tip-over hazard. The weight of the material carrier assembly and the load in the material carrier may limit the maximum number of occupants in the platform.

**NOTICE** Component damage hazard. Do not use the machine to place loads into position.

## Operating Instructions

<b>Model</b>	<b>Maximum Material Carrier Capacity</b>	<b>Maximum Material Sail Area (h x w)</b>	<b>Maximum Occupancy</b>
GS-2669	700 lbs 317 kg	140" x 7"	2
GS-3369	500 lbs 227 kg	140" x 7"	2
GS-4069	350 lbs 159 kg	140" x 7"	1
GS-3384	700 lbs 317 kg	310" x 7"	3
GS-3390	700 lbs 317 kg	310" x 7"	3
GS-4390	700 lbs 317 kg	310" x 7"	3
GS-5390	700 lbs 317 kg	310" x 7"	2
<b>Material Carrier Assembly Weight</b>			80 lbs 36 kg



[www.genielift.com](http://www.genielift.com)

Distributed By: