



Operator's Manual Supplement

Lift Tools Access Deck

ANSI/CSA
North America
South America
Asia

Original Instructions
First Edition
Fourth Printing
Part No. 1292178GT

Introduction

Important

Read, understand and obey these safety rules and operating instructions before operating this machine. Only trained and authorized personnel shall be permitted to operate this machine. This manual should be considered a permanent part of your machine and should remain with the machine at all times. If you have any questions, contact us.

Contact Us:

Internet: www.genielift.com

E-mail: awp.techpub@terex.com

Copyright © 2018 by Terex Corporation

First Edition: Fourth Printing, October 2020

Genie is a registered trademark of Terex South Dakota, Inc. in the U.S.A. and many other countries. "S", "Z" and "XC" are trademarks of Terex South Dakota, Inc.

This accessory complies with
ANSI/SAIA A92.20
CAN/CSA B.354.6

Introduction

Approved Models (6 ft)

Model	Serial Number	Model	Serial Number
S®-40/45	from S4016H-22550	S®-120 HD	from S120D-1705
S®-40/45 XC	from S40XCH-101	SX™-105 XC	from SX105D-174
S®-40/45 TRAX	from S4016H-22550	SX™-135 XC	from SX135H-127
S®-60/65	from S60H-36659	SX™-125 XC	from SX125D-101
S®-60/65 XC	from S60XCH-45001	SX™-150	from SX150H-201
S®-60 X	from S60H-36659	SX™-180	from SX180H-365
S®-60 HC	from S60H-36659	Z®-45 XC	from Z4525XCM-101
S®-60/65 TX	from S60H-36659	Z®-45/25	from Z4525N-57509
S®-80/85	from S85H-13582	Z®-45/25J	from Z4525N-57509
S®-80 X	from S85H-13582	Z®-45/25J RT	from Z4525N-57509
S®-80/85 XC	from S80XCH-101	Z®-45/25 RT	from Z4525N-57509
S®-100	from S100D-1672	Z®-60/34	from Z60H-746
S®-105	from S105D-1665	Z®-60/37	from Z60H-746
S®-120	from S120D-1705	Z®-62	from Z62H-3077
S®-125	from S125D-1660	Z®-80	from Z80H-6076
S®-100 HD	from S100D-1672	Z®-135	from ZX135H-2889
		ZX®-135	from ZX135H-2889

⚠ WARNING Do not install the Access Deck system on any Genie product other than the designated models.

⚠ WARNING The Access Deck can only be mounted on the mid rails of the platform. The Access Deck can never be mounted on the top rail.

⚠ WARNING Do not operate the boom while using the Access Deck.

Introduction

Approved Models (8 ft)

Model	Serial Number	Model	Serial Number
S@-40/45	from S40-001	S@-120 HD	from S120HD14D-201
S@-40/45 XC	from S40XCH-101	SX™-105 XC	from SX105D-174
S@-40/45 TRAX	from S40-001	SX™-135 XC	from SX135H-101
S@-60/65	from S60-653	SX™-125 XC	from SX125D-101
S@-60/65 XC	from S65XCM-101	SX™-150	from SX15015H-100
S@-60 X	from S60-653	SX™-180	from SX18013-005
S@-60 HC	from S60-653	Z@-60/34	from Z60-001
S@-60/65 TX	from S60-653	Z@-60/37	from Z60M-101
S@-80/85	from S80-001	Z@-62	from Z6215A-101
S@-80 X	from S80-001	Z@-80	from Z8003-101
S@-80/85 XC	from S80XCH-101	Z@-135	from Z135-100
S@-100	from S100-101	ZX@-135	from ZX13513-2001
S@-105	from S105-101		
S@-120	from S120-101		
S@-125	from S125-101		
S@-100 HD	from S100HD14D-200		

⚠ WARNING

Do not install the Access Deck system on any Genie product other than the designated models.

⚠ WARNING

The Access Deck can only be mounted on the mid rails of the platform. The Access Deck can never be mounted on the top rail.

⚠ WARNING

Do not operate the boom while using the Access Deck.

Introduction

Genie Self-propelled Boom Products and Lift Tools Access Deck Guidance

Boom-supported Elevating Work Platforms are designed to carry personnel, along with their tools, and materials to an aerial work site. When platform access is limited and the personnel need to reach a work area that is beyond their working height, the Access Deck provides an elevated deck, above the main floor, to allow an occupant to extend their working height.

This document provides guidance for the use of the Access Deck on Genie self-propelled boom products.

Definitions

Qualified person

A "qualified person" one who, by possession of a recognized degree, certificate, or professional standing, or by extensive knowledge, training and experience, has demonstrated his/her ability to solve or resolve problems related to the subject matter, the work, or the project.

Genie Self-propelled Booms may be used to lift under the following guidelines:

- 1 The owner/employer/user/operator of the boom is responsible for providing fall protection for boom operator.
- 2 A "qualified person" with knowledge of fall protection regulations and systems must design the work space and the Access Deck system to ensure worker safety.
- 3 Genie Booms have been stability tested on level ground with the rated load in the platform. The combined weight on the Access Deck must not exceed 300 lbs/136 kg.

Note: The weight of the Access Deck assembly must be subtracted from the platform capacity that it is mounted on.

Access Deck for 8 ft Platform	36 lbs/16 kg
Access Deck for 6 ft Platform	29 lbs/13 kg

- 4 Attachment and use of an Access Deck must be approved and authorized by the equipment owner.
- 5 It is the responsibility of the equipment owner and/or the contractor to perform a hazard analysis when using the Access Deck, and ensure that the equipment complies with the essential health and safety requirements applicable to the jobsite, as well as local, state, provincial, and federal rules and regulations, and standards related to the use of the equipment.
- 6 The boom must be on a firm level surface to use the Access Deck.
- 7 A person trained in the operation of the Genie boom shall remain on the ground near the machine base controls to prevent unauthorized use and to prevent the machine from being operated while using the Access Deck.

Introduction

Owner/Employer/User/Operator Requirements:

Owner/Employer/User/Operator Requirements:

- 1 Operators must be trained and qualified on safe operation of the equipment, and be familiar with the specific model of Genie equipment as follows:
 - Be familiar and comply with the equipment operating and safety manuals, decals and warnings.
 - Understand all control functions.
 - Be aware of and understand all safety devices specific to the equipment being used.
 - Be instructed how to avoid the hazards.
- 2 Comply with all applicable jobsite, local, state, provincial, and federal rules and regulations, and standards related to the use of the equipment.
- 3 The equipment must be in proper working condition and configuration.

In consideration for Genie's guidance herein, the equipment owner, employer, user and operator hereby agree to indemnify and hold harmless Terex USA and its parent and affiliated companies against any and all liabilities, claims, suits, losses, costs and legal fees caused by, arising out of, or resulting from any negligent act or omission in the operation of the equipment; the failure to comply with the criteria set forth in this manual related to the use of a boom with an Access Deck the safety rules and operating instructions in the Operator's Manual. **By proceeding with the use of a boom with an Access Deck, you agree to adhere to the requirements set forth herein, including said indemnification. If you do not agree, do not proceed with the proposed use.**

Introduction



Danger

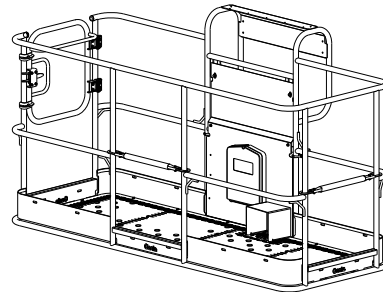
Failure to obey the instructions and safety rules in this manual will result in death or serious injury.

Note

The Lift Tools™ Access Deck complies with the requirements of ANSI/CSA markets. All other markets are prohibited from use.

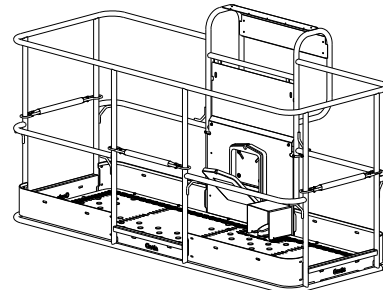
The Access Deck can only be used on Genie Boom-Supported Elevating Work Platforms equipped with the following 6 ft and 8 ft platforms:

- ▲ Side entry swing gate platforms with 2 sliding mid-rails.

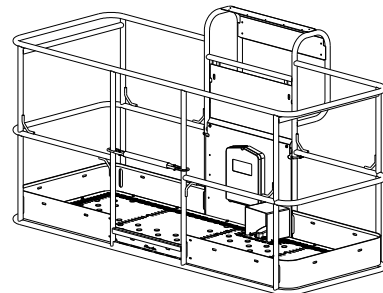


- ▲ TRI entry platforms

Note: 8ft TRI entry platforms with three sliding mid-rails. 6ft TRI entry platforms prohibited.



- ▲ Front entry platforms with single sliding mid-rail (8 ft only)



Use on all other platforms is prohibited.

Introduction

⚠ DANGER Using the Access Deck with the options below will result in death or serious injury.

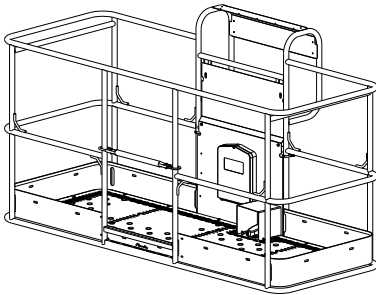
The Access Deck cannot be properly installed on platforms equipped with the following:

- ⚠ Panel cradle (option)
- ⚠ Center mounted swing gate (option)
- ⚠ Genie Fall Arrest Bar
- ⚠ Half mesh (option)
- ⚠ Full mesh (option)
- ⚠ Aircraft Protection (option)

⚠ DANGER Using the Access Deck with the options below will result in death or serious injury.

The Access Deck cannot be used on platforms equipped with the following:

- ⚠ Front entry platforms with single sliding mid-rail (6 ft only)



⚠ Lift Tools™ Access Deck Safety

Read, understand and obey all warnings and instructions provided with the Access Deck.

Do not exceed the rated platform capacity. The weight of the Access Deck assembly will reduce the rated platform capacity and must be subtracted from the total platform load.

Access Deck for 8 ft Platform	36 lbs/16 kg
-------------------------------	--------------

Access Deck for 6 ft Platform	29 lbs/13 kg
-------------------------------	--------------

The Access Deck assembly and handle must be mounted for use together.

Be sure the Access Deck is securely installed. Only use the folding handle for stability.

When the Access Deck structure is attached, this manual should be with the machine at all times.

The Access Deck can be transported on the mid-rail when all locking mechanisms are engaged and securely fastened to the platform. The platform is required to be parallel to the ground at all times during transportation.

⚠ CAUTION Do not use Access Deck with ice, grease or debris on the mid-rail surfaces.

⚠ DANGER Do not operate the boom once the operator has tied off and standing on the Access Deck.

Introduction

Symbol and Hazard Pictorials Definitions



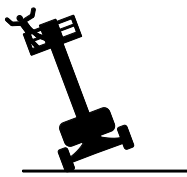
The Access Deck weighs:

8 ft: 36 lbs/16 kg

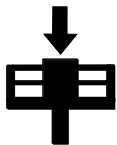
6 ft: 29 lbs/13 kg



Read the supplement, part number 1292178.



Tip-over hazard



Maximum capacity
300 lbs/136 kg.

Pre-operation Inspection

- Be sure that the operator's manual, safety manual, responsibilities manual and any necessary supplements are complete, legible and in the storage container located in the platform.
- Be sure that all decals are legible and in place.

Check the Access Deck for damage or wear, improperly installed, loose or missing parts and unauthorized modifications.

- Nuts, bolts and other fasteners
- Cracks in welds or structural components
- Dents or damage to Access Deck
- Check platform mounting location. The mounting location must be undamaged and clear of debris, ice, oily and slippery surfaces.

Introduction

Decal Inspection

Use the inspection to verify that all decals are legible and in place. Decals may vary depending on machine configuration.

8 foot Access Deck

Part No.	Decal Description	Qty
1281174GT	Decal, Lanyard , fall arrest/fall restraint	8
1292288GT	Decal, Max Capacity, Word, Access Deck (8ft)	1
1292288FRGT	Decal, Max Capacity, Word, Access Deck (8ft)	1

6 foot Access Deck

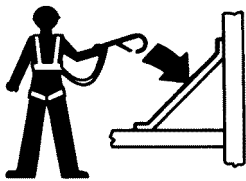
Part No.	Decal Description	Qty
1281174GT	Decal, Lanyard , fall arrest/fall restraint	8
1293709GT	Decal, Max Capacity, Word, Access Deck (6ft)	1
1293709FRGT	Decal, Max Capacity, Word, Access Deck (6ft)	1

Operating Instructions

Lift Tools™ Access Deck Operation

- 1 Verify the Access Deck installation instructions have been followed properly and that the Access Deck and handle are secured with locking pins to the platform railings.

⚠ WARNING Tip-over hazard The weight of the Access Deck will reduce the rated platform capacity of the machine and must be factored into the platform load.



Occupants must wear a safety belt or harness in accordance with governmental regulations. Attach the lanyard to the anchor provided in the platform. Lanyard to be 6 ft retractable.



Do not sit, stand, or climb on the platform guard rails and Access Deck toeboard. Maintain a firm footing on the platform or Access Deck floor at all times.

- 2 Pull the lock pin on the right side of the step to lower and swing Access Deck step down.
- 3 Rotate the handle up to the vertical position. Secure the handle with the 3/8" lock pin on the handle assembly.

Annual Inspection

Inspect for missing or loose components.

Check all fasteners are properly tightened.

Inspect all components for damage or wear.

Check for cracks, bends and corrosion.

Inspect all welds for cracks.

Verify the Access Deck rotates freely about the right wear-pad slot on the mid-rail.

Verify the locking cam engages the mid-rail with audible click and locks fully with the pop pin on the deck.

Verify the pop pin on the step engages in both the open and closed position with audible click.

Verify the handle can freely rotate around the shoulder bolt.

Verify the detent pin and lock the handle both up and down.

Inspection After a Fall

Note: In the event of an operator fall, the Access Deck and the Genie boom must be immediately removed from service and inspected by a "qualified person". If the Access Deck and the Genie boom pass the inspections listed below, the Access Deck and the Genie boom may be returned to service.

Inspect all structural components of the Access Deck and the Genie boom. Replace any bent or damaged components. Replace any components with cracked welds. Replace all mounting fasteners for the Access Deck.

Perform an Annual Inspection on the Access Deck

Perform a Pre-Operation Inspection on both the Access Deck and the Genie boom.

Installation Instructions



Observe and Obey:

- This procedure shall be completed by a person authorized to install the Access Deck.
- Immediately tag and remove from service a damaged or malfunctioning machine.
- Repair any machine damage or malfunction before operating the machine.

Before Starting Installation

- Read, understand and obey the safety rules and operating instructions in the appropriate Genie Operator's Manual and Supplements.
- Be sure that all necessary tools and parts are available and ready for use.
- Read this procedure completely and adhere to the instructions.

Note: Refer to the illustration page for installation instructions.

Contents of Kit 1293700GT (6 ft/1.8 m Platform)

Description	Genie part number	Qty.
(1) Manual, Supplement	1292178GT	1
(2) Decal, Maximum Capacity, Word	1293709GT	2
(3) Decal, Maximum Capacity, Word (FR)	1293709FRGT	2
(4) Decal, Cosmetic, Lift Tool Access Deck	1292296GT	1
(5) Assembly, Deck	-	1
(6) Assembly, Handle	-	1
(7) U-bolt, 1.5 x 3/8	-	2
(8) Nylock flange nut, 3/8-16	-	4
(9) Bumper, Rubber, 5/16-18	-	1
(10) Nut, 5/16-18	-	1
(11) Nylock flange nut, 5/16-18	-	1

Installation Instructions

Contents of Kit 1291798GT (8 ft/2.4 m Platform)

Description	Genie part number	Qty.
(1) Manual, Supplement	1292178GT	1
(2) Decal, Maximum Capacity, Word	1292288GT	2
(3) Decal, Maximum Capacity, Word (FR)	1292288FRGT	2
(4) Decal, Cosmetic, Lift Tool Access Deck	1292296GT	1
(5) Assembly, Deck	-	1
(6) Assembly, Handle	-	1
(7) U-bolt, 1.5 x 3/8	-	2
(8) Nylock flange nut, 3/8-16	-	4
(9) Bumper, Rubber, 5/16-18	-	1
(10) Nut, 5/16-18	-	1
(11) Nylock flange nut, 5/16-18	-	1
(12) Screw, HHF, 10-24X0.625	-	1
(13) Nylock flange nut, 10-24	-	1
(14) Steel Lanyard,, 8"	-	1
(15) Quick release pin, 3/8X 5"	-	1
(16) Vertical rail lock forming	-	1
(17) Screw, HHF, 1/4-20X0.75	-	2
(18) Nylock flange nut, 1/4-20	-	2

Deck Installation

Note: The deck assembly can only be installed on the mid-rails of the platform.

- Slide the right side of the deck assembly so it is fully seated against the mid-rail of the platform (see illustration).
- Pull the locking pin on the left side of the deck assembly to release the locking cam.
- Lower the deck assembly onto the left side mid-rail until it is fully seated into the locking cam.

Note: The locking pin will make an audible click when fully seated.

- For side entry swing gate platform with sliding midrail and tri entry platform- Install the vertical rail lock forming to the left side of preexisted vertical rail lock forming on access deck toe board using 1/4-20 X0.75 screw and 1/4-20 flange nut.
- For front entry platform with single sliding midrail (only 8 ft platforms)- Install the vertical rail lock forming to the right side of preexisted forming lock on access deck toe board using 1/4-20 X0.75 screw and 1/4-20 flange nut.
- Position and secure the quick release pin onto the toe board near the vertical rail lock forming using 10-24X0.625 screw and 10-24 flange nut with the help of 8 inch steel lanyard
- Position the deck assembly to the vertical rail and pull the locking pin and rotate the step down all the way.

Note: The locking pin will make an audible click when fully seated.

Installation Instructions

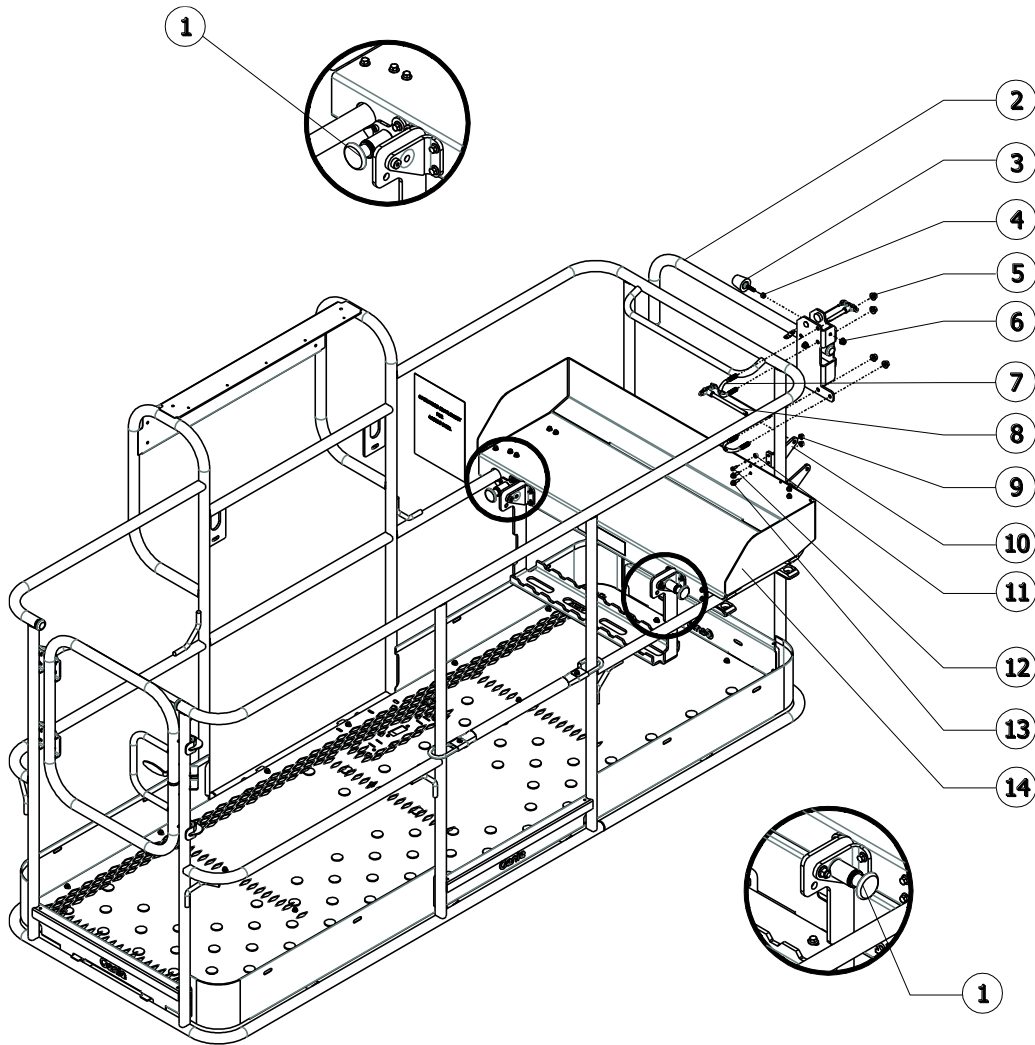
Handle Installation

Note: Handle assembly must be mounted and accessible near the Access Deck anytime the Access Deck is mounted.

- 1 Mount the handle assembly to the platform railing using both the U-bolts and 3/8-16 nylock flange nuts. Do not over tighten.
- 2 Install the 5/16-18 nut onto the rubber bumper. Install the bumper assembly into the handle forming and secure with the 5/16-18 nylock flange nut. Do not tighten at this time.
- 3 Rotate the handle up to the vertical position. Secure the handle with the 3/8" lock pin on the handle assembly.
- 4 Adjust the inside nut on the rubber bumper until the bumper sits firmly against the handle. Tighten the 5/16-18 nylock nut.
- 5 Insert the supplement Operator's Manual into the manual storage box located in the platform.

Installation Instructions

Side entry swing gate platforms with 2 sliding mid-rails

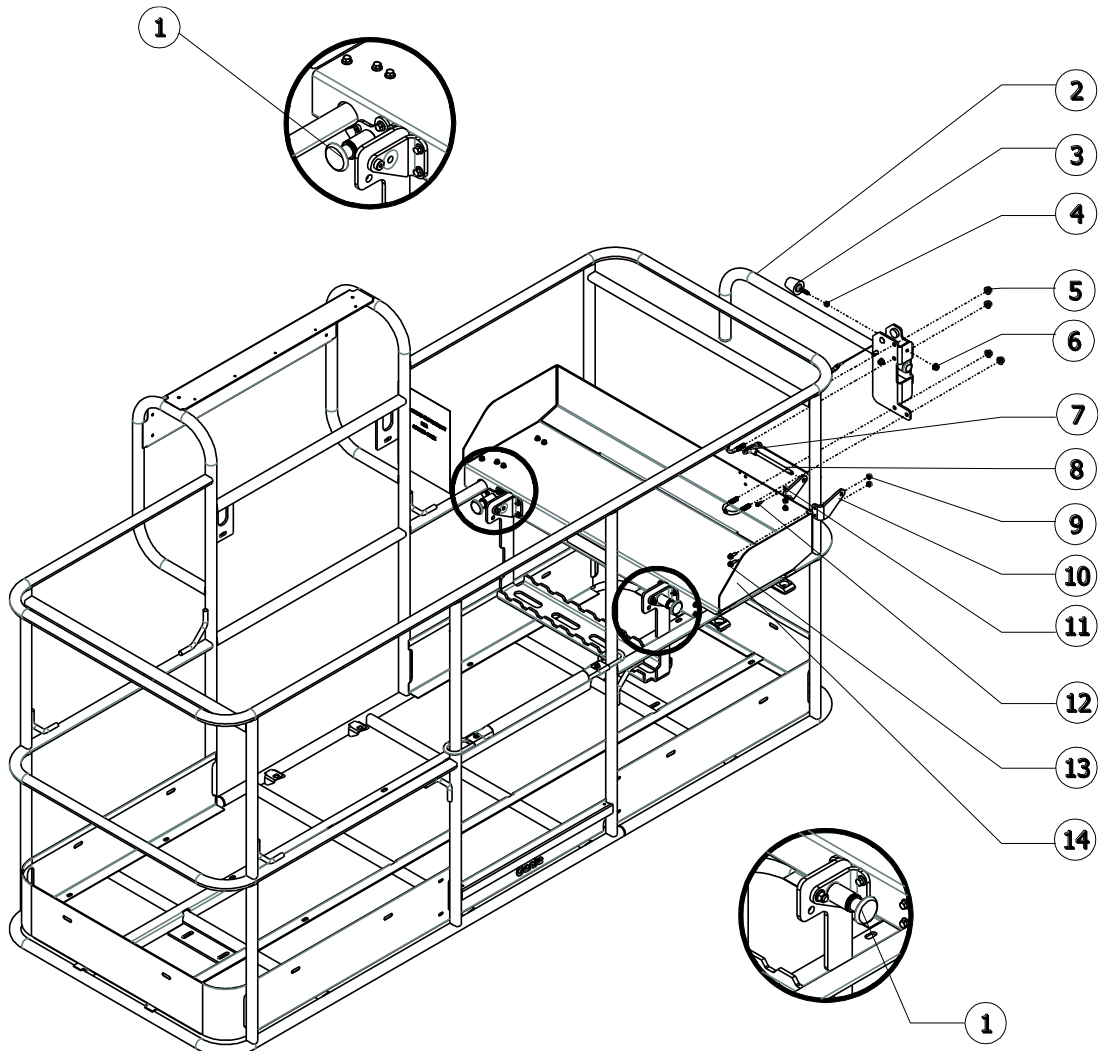


1	Lock pin
2	Assembly, handle
3	Bumper
4	Nut, 5/16-18
5	Nylock flange nut, 3/8-16
6	Nylock flange nut, 5/16-18
7	U-bolt,

8	Quick release pin (8 ft platforms)
9	Flange nut, 1/4-20
10	Vertical rail lock forming
11	Nylock flange nut, 10-24
12	Screw, HHF, 10-24X.625
13	Screw, HHF, 1/4-20X 0.75
14	Assembly, access deck

Installation Instructions

Front entry platforms with single sliding midrail (8 ft only)



1	Lock pin
2	Assembly, handle
3	Bumper
4	Nut, 5/16-18
5	Nylock flange nut, 3/8-16
6	Nylock flange nut, 5/16-18
7	U-bolt,

8	Quick release pin (8 ft platforms)
9	Flange nut, 1/4-20
10	Vertical rail lock forming
11	Nylock flange nut, 10-24
12	Screw, HHF, 10-24X.625
13	Screw, HHF, 1/4-20X 0.75
14	Assembly, access deck

www.genielift.com

Distributed By: