



Operator's Manual Supplement

Operator Protective Structure

Original Instructions
First Edition
Second Printing
Part No. 219159GT

Introduction

Important

Read, understand and obey these safety rules and operating instructions before operating this machine. Only trained and authorized personnel shall be permitted to operate this machine. This manual should be considered a permanent part of your machine and should remain with the machine at all times. If you have any questions, contact us.

Contact Us:

Internet: www.genielift.com

E-mail: awp.techpub@terex.com

Manufacturer:

Terex Global GmbH
Bleicheplatz 2
Schaffhausen, 8200
Switzerland

EU Authorized representative:

Genie Industries B.V.
Boekerman 5
4751 XK OUD GASTEL
The Netherlands

UK Authorized representative:

Genie UK Limited
The Maltings
Wharf Road
Grantham
NG31 6BH
UK


Copyright © 2016 by Terex Corporation

First Edition: Second Printing, October 2021

Genie is a registered trademark of Terex South Dakota, Inc. in the U.S.A. and many other countries.

These machines comply with

 Complies with EC Directive 2006/42/EC
See EC Declaration of Conformity

 Supply of Machinery (Safety) Regulations 2008

Complies with:
ANSI A92
CSA B354
AS 1418.10

Introduction



Danger

Failure to obey the instructions and safety rules in this manual and in the operator's manual for this machine will result in death or serious injury.

Note

The Operator Protective Structure (OPS) is for use with 6' and 8' platforms on machines manufactured from January, 2003.

▲ OPS Safety

Read, understand and obey all warnings and instructions provided with the OPS.

Do not exceed the rated platform capacity. The weight of the OPS assembly will reduce the rated platform capacity and must be subtracted from the total platform load.

The OPS assembly weighs 35 lbs / 16 kg.

Be sure the OPS is securely installed.

Refer to the machine operator's manual for additional information about avoiding overhead obstacles.

When the OPS structure is attached, this manual should be considered a permanent part of your machine and should remain with the machine at all times.

Symbol and Hazard Pictorials Definitions



OPS weighs
35 lbs / 16 kg.



Read the supplement,
part number 219159.

Pre-operation Inspection

- Be sure that the operator's, safety manual, responsibilities manual and any necessary supplements are complete, legible and in the storage container located in the platform.
- Be sure that all decals are legible and in place.

Check the OPS for damage, improperly installed or missing parts and unauthorized modifications.

- Nuts, bolts and other fasteners
- Cracks in welds or structural components
- Dents or damage to OPS

Decal Inspection

Use the inspection to verify that all decals are legible and in place.

Part No.	Decal Description	Qty
219160	Label – OPS	1

Installation Instructions



Observe and Obey:

- This procedure shall be completed by a person authorized to install the OPS.
- Immediately tag and remove from service a damaged or malfunctioning machine.
- Repair any machine damage or malfunction before operating the machine.

Before Starting Installation

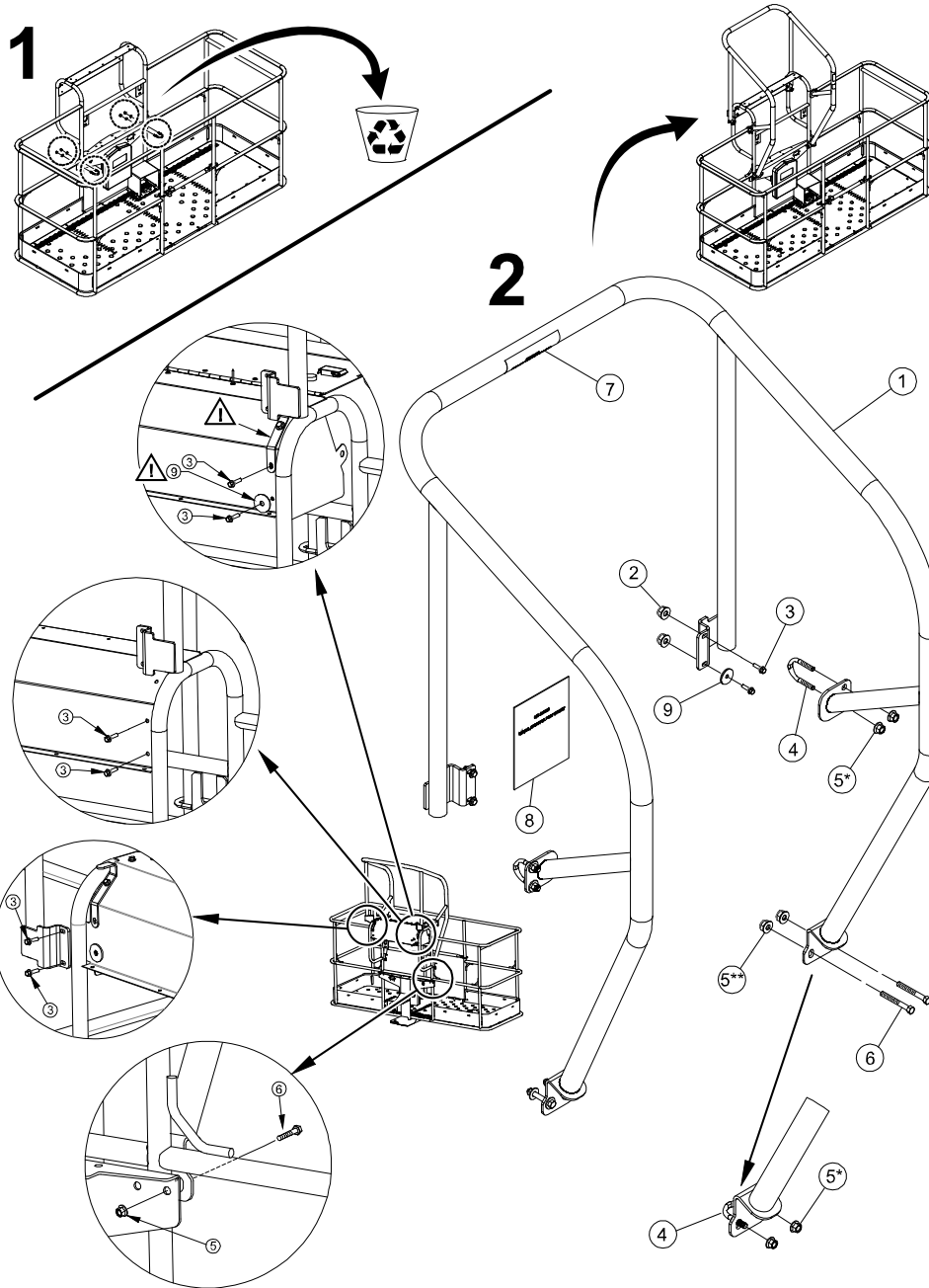
- Read, understand and obey the safety rules and operating instructions in the appropriate Genie Operator's Manual.
- Be sure that all necessary tools and parts are available and ready for use.
- Read this procedure completely and adhere to the instructions. Attempting shortcuts may produce hazardous conditions.

Contents of Kit 219158

Part Description	Genie Part Number	Qty.
(1) Weldment, OPS	215681	1
(2) Nut – Nylock, 1/4-20	1277924	4
(3) Screw – HHF, 1/4-20 x 1 in	824079	4
(4) U-bolt	1251600	4
(5) Nut – Nylock, 3/8-16 in	1274322	8
(6) Screw – HHF, 3/8-16 x 2.5 in	1256856	4
(7) Decal – Instruction, OPS	219160	1
(8) Kit – Manuals, OPS	219846	1
(9) Washer – Spacer, 1.5 in	15086	2

Refer to the following page for installation instructions.

Installation Instructions



Item No	Torque Value
2	76 in-lbs/8.5 Nm
5*	15 ft-lbs/20.3 Nm
5**	23 ft-lbs/31.2 Nm



Distributed By: