



A TEREX BRAND

Parts Manual

Serial Number Range

Super Tower

from SN 7794-101 to 7702-1600

from SN ST02-1601 to ST16-4786

from SN STG-4787 to STG-7025

from SN STP-7026

*Part No. 115412
Rev: C14
October*

Technical Publications

Genie has endeavored to deliver the highest degree of accuracy possible. However, continuous improvement of our products is a Genie policy. Therefore, product specifications are subject to change without notice.

Readers are encouraged to notify Genie of errors and send in suggestions for improvement. All communications will be carefully considered for future printings of this and all other manuals.

Contact Us:

Internet: www.genielift.com
e-mail: awp.techpub@terex.com

Find a Manual for this Model


Go to <http://www.genielift.com>

Use the links to locate Operator's, Parts, Maintenance, and Service and Repair Manuals.

Copyright © 2011 by Terex Corporation

115412 Rev C April 2016
Second Edition, Third Printing

"Genie is a registered trademark of Terex South Dakota, Inc. in the USA and many other countries. "ST" is a trademark of Terex South Dakota, Inc.

 Printed on recycled paper

To August 31, 2016

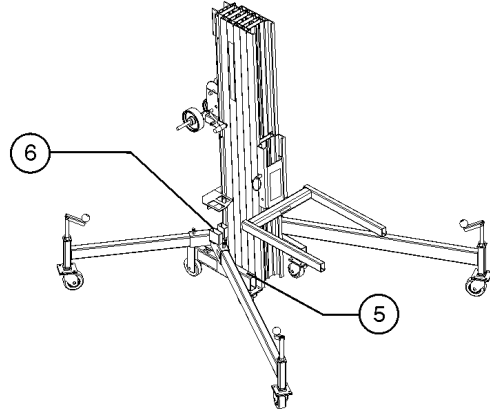
Genie
A TEREX BRAND

Model:
Serial number: ST16G -12345
Manufacture date: 1/2/16
Electrical schematic number:
Machine unladen weight:
Rated work load (including occupants):
Maximum number of platform occupants:
Maximum allowable side force:
Maximum allowable inclination of the chassis:

Model year: 2016

ST 16 G - 12345

1 2 3 4



- 1 Model
- 2 Model year
- 3 Facility code

- 4 Sequence number
- 5 Serial number (stamped on base)
- 6 Serial label (located on base)

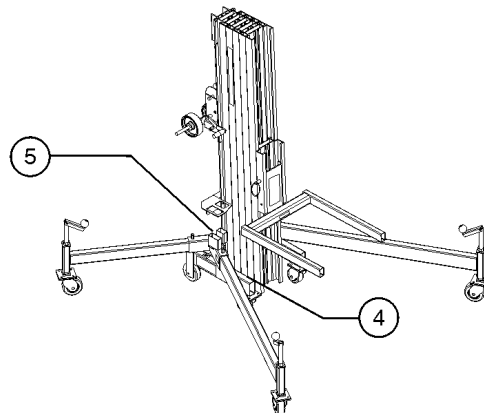
From September 1, 2016

Genie
A TEREX BRAND

Model:
Serial number: STG -12345
Year of manufacture: 2016
Electrical schematic number:
Machine unladen weight:
Rated work load (including occupants):
Maximum number of platform occupants:
Maximum allowable side force:
Maximum allowable inclination of the chassis:

ST G - 12345

1 2 3



- 1 Model
- 2 Facility code
- 3 Sequence number

- 4 Serial number (stamped on base)
- 5 Serial label (located on base)

How to Order Parts

Please be prepared with the following information when ordering replacement parts for your Terex or Genie product.

- Machine model number
- Machine serial number
- Part number
- Part description and quantity
- Purchase order number
- "Ship to" address
- Desired method of shipment
- Name and telephone number of the authorized distributor in your area

Use the Service Parts Fax Order Form on the next page and fax your order to our Parts Department.

If you don't know the name of your authorized distributor, or if your area is not currently serviced by an authorized distributor, please call Terex or Genie Industries.

Machine Information

Model

Serial Number

Date of Purchase

Authorized Genie Distributor

Phone Number

North America

Telephone (425)881-1800

Toll Free (800)536-1800 in US and Canada

Fax (425)556-8659

Toll Free fax (888)274-6192

Email AWP.PartsSalesPO@terex.com

<http://genielift.com/en>

EMEAR (Europe, Middle East, Africa and Russia)

Telephone (31)(165)519 313

Fax (31)(165)511 148

<http://genielift.co.uk>

Asia Pacific (Genie Singapore)

Telephone +65 6692 7777

Fax +65 6261 8893

<http://genielift.com.sg/>

Australia

Telephone (61)(7)3456 4444

Fax (61)(7)3456 4466

<http://genielift.com.au>

South America

Telephone (55)(11)4082 5600

Fax (55)(11)4082 5630

Service Parts Fax Order Form



Fax to: (425) 556-8659 or Toll Free: 888-274-6192
 International: +1-425-556-8659

Please fill out completely

Date _____	Account Number _____
Your Name _____	Your Fax Number _____
_____	Your Phone Number _____
Bill To _____	Ship To _____
_____	_____
_____	_____
Purchase Order Number _____	Ship Via _____

Model(s) _____ Serial No.(s) _____
 Optional Equipment _____

Part Number	Description	Quantity	Price

All back-ordered parts will be shipped when available via the same ship method as the original order unless Noted below:

- Ship complete order only - No back orders
- Ship all available parts and contact customer on disposition of back-ordered parts
- Other (please specify)

Description	Page
100 Decals	10
101.1 Decals with Words (to SN ST04-2403)	10
101.2 Decals with Words (from SN ST04-2404)	12
102.1 Decals with Symbols	14
102.2 Decals with Symbols	16
102.3 Decals with Symbols	18
102.4 Decals with Symbols	20
102.5 Decals with Symbols	22
200 Base Components	24
201.1 Base Components	24
300 Mast and Winch Components	30
301.1 Number 1 Mast Attached Parts	30
301.2 Number 1 Mast Attached Parts	34
301.3 Number 1 Mast Attached Parts	38
301.4 Number 1 Mast Attached Parts	42
301.5 Number 1 Mast Attached Parts	46
302.1 Mast Components, View 1	50
302.2 Mast Components, View 1	52
302.3 Mast Components, View 1	54
302.4 Mast Components, View 1	56
302.5 Mast Components, View 1	58
302.6 Mast Components, View 1	60
303.1 Mast Components, View 2	62
303.2 Mast Components, View 2	64
303.3 Mast Components, View 2	66
303.4 Mast Components, View 2	68
303.5 Mast Components, View 2	70
303.6 Mast Components, View 2	72
304.1 Mast Components, Pulleys and Cables (to SN ST15-4740)	74
304.2 Mast Components, Pulleys and Cables (to SN ST15-4740)	76
304.3 Mast Components, Pulleys and Cables (to SN ST15-4740)	78
304.4 Mast Components, Pulleys and Cables (to SN ST15-4740)	80
304.5 Mast Components, Pulleys and Cables (to SN ST15-4740)	82
304.6 Mast Components, Pulleys and Cables (to SN ST15-4740)	84
304.7 Mast Components, Pulleys and Cables (from SN ST15-4741)	86
305.1 Winch Components, One-speed	88
305.2 Winch Components, One-speed	92
305.3 Winch Components, One-speed	96
305.4 Winch Components, One-speed	100

Table of Contents

Description	Page
305.5 Winch Components, One-speed	104
306.1 Winch Components, Two-speed	108
306.2 Winch Components, Two-speed	112
306.3 Winch Components, Two-speed	116
306.4 Winch Components, Two-speed	120
306.5 Winch Components, Two-speed	124
400 Accessories	128
401.1 Adjustable Forks	128
401.2 Adjustable Forks	130
Part Number Index	132

101.1 Decals with Words (to SN ST04-2403)

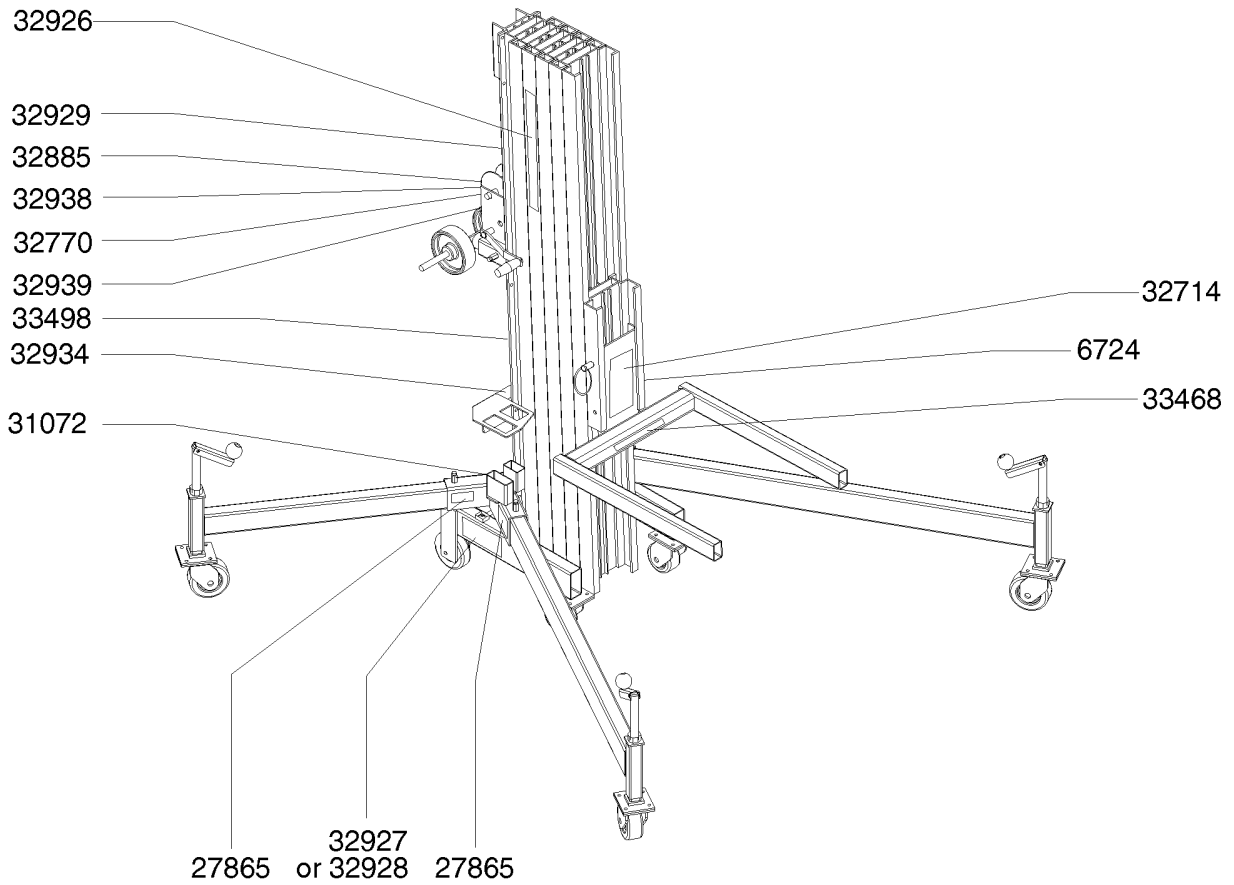


Figure 101.1
Decals with Words



Super Tower

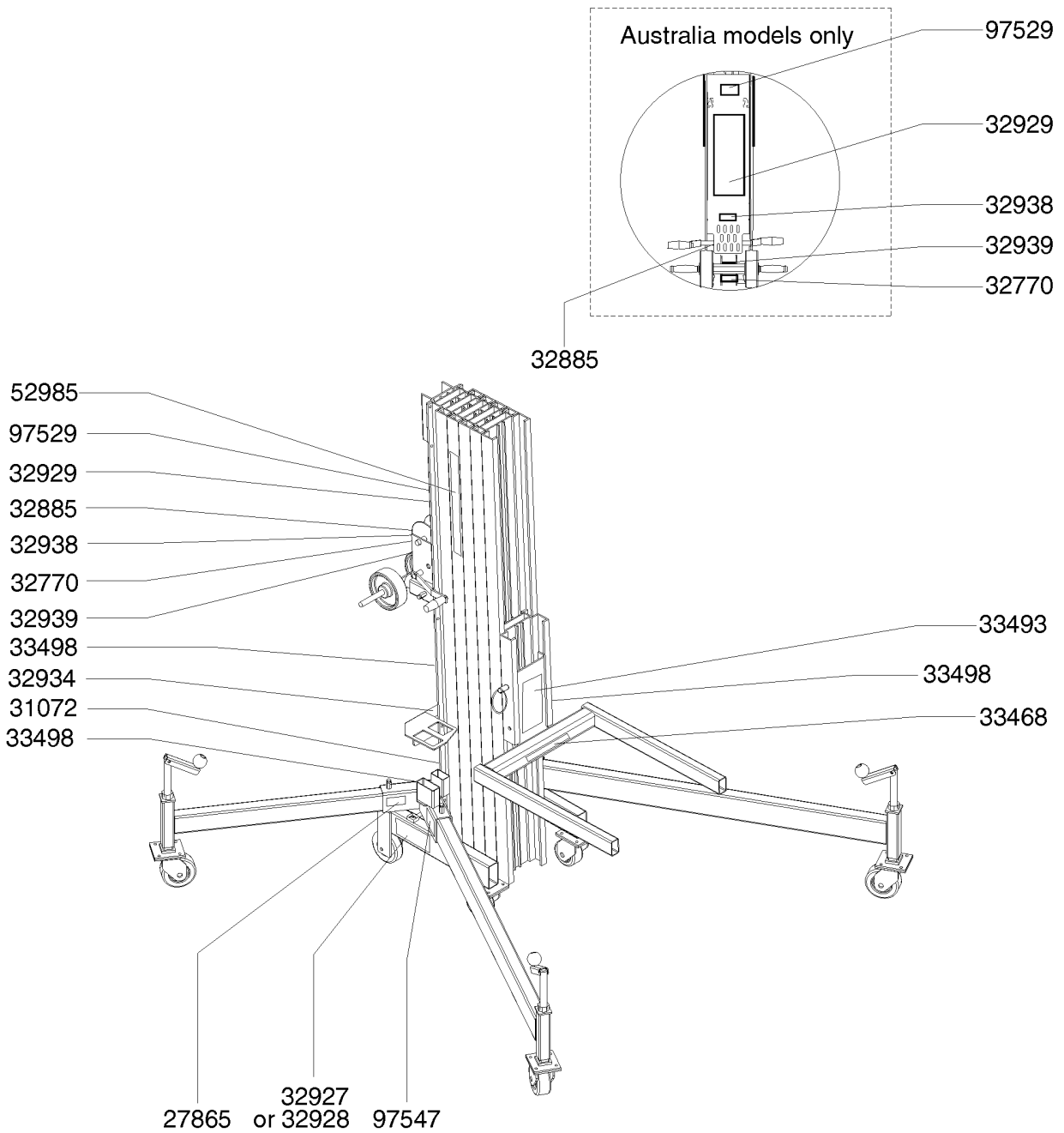
101.1 Decals with Words (to SN ST04-2403)

Item	Part No.	Description	Qty.
1	31075GT	DECAL,CAUTION,CRUSHING HAZARD	1
2	32934GT	DECAL,OUTRIGGER STORAGE,ST2	1
3	33498GT	SERIAL NUMBER PLAT,SUPERTOWER*	1
4	32939GT	DECAL,CRUSHING HAZ/BRAKE LOCK	1
5	32770GT	DECAL,2 SPD.WINCH**	1
6	32938GT	DECAL,LABEL,WINCH ONLY	1
7	32885GT	DECAL,SILENT WINCH	1
8	32929GT	DECAL,OPERATING INSTRUCT,ST2	1
9	32926GT	DECAL,COSMETIC,"SUPERTOWER"	2
10	32714GT	DECAL,WARNING ADJ FORK SETUP	1
11	6724GT	DECAL,SERIAL# & MODEL# ***	1
12	33468GT	DECAL,WARNING,NO RIDERS	1
13	27865GT	DECAL,BUBBLE LEVEL ***	1
14	32927GT	DECAL,MODEL HEIGHT ST20	2
15	32928GT	DECAL,MODEL HEIGHT,ST25	2



A TORON BRAND

101.2 Decals with Words (from SN ST04-2404)



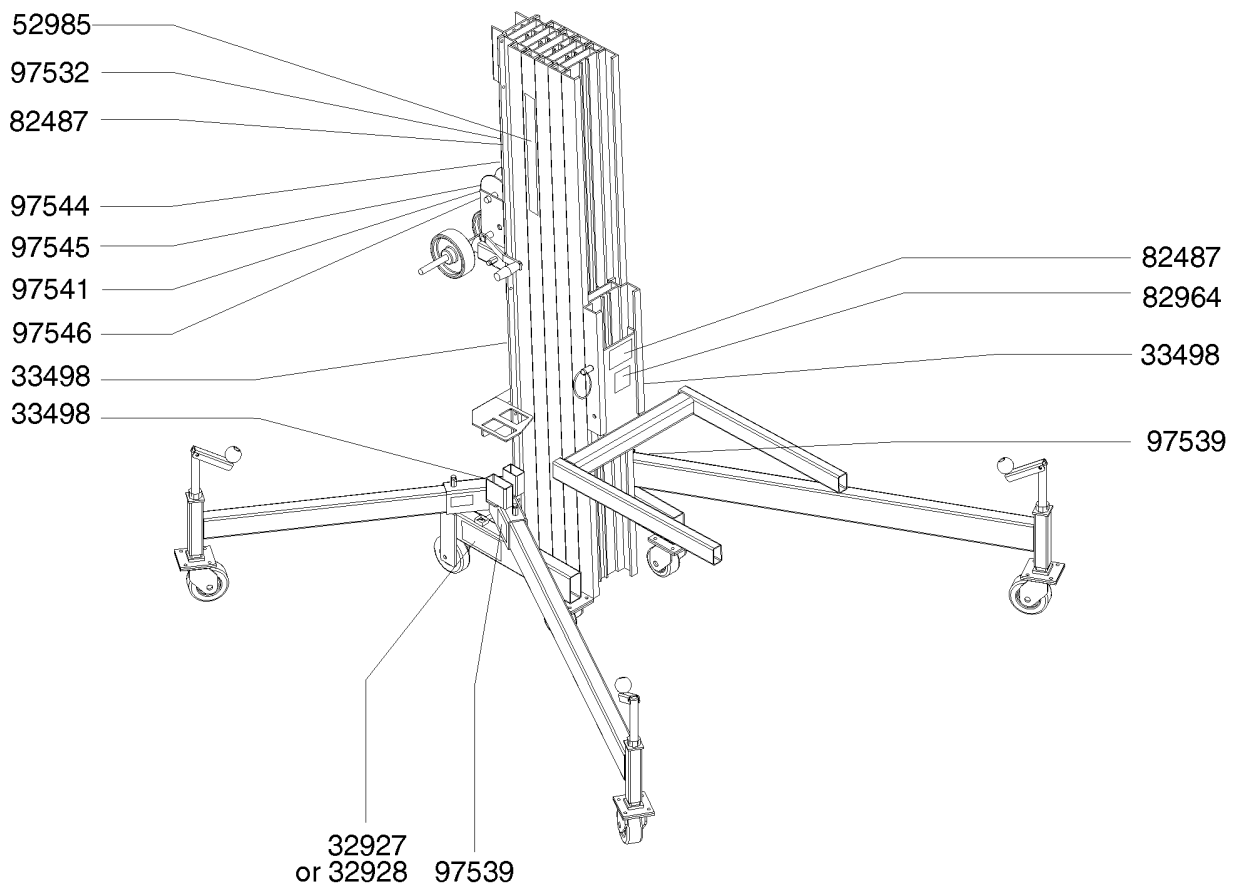
101.2 Decals with Words (from SN ST04-2404)

Item	Part No.	Description	Qty.
1	27865GT	DECAL,BUBBLE LEVEL ***	1
2	31072GT	DECAL,LABEL,OPER.MAN.STORAGE	1
3	32770GT	DECAL,2 SPD.WINCH**	1
4	32885GT	DECAL,SILENT WINCH	1
5	32927GT	DECAL,MODEL HEIGHT ST20	2
6	32928GT	DECAL,MODEL HEIGHT,ST25	2
7	32929GT	DECAL,OPERATING INSTRUCT,ST2	1
8	32938GT	DECAL,LABEL,WINCH ONLY	1
9	32939GT	DECAL,CRUSHING HAZ/BRAKE LOCK	1
10	33493GT	DECAL,WARNING,ADJ FORK SAFETY	1
11	33468GT	DECAL,WARNING,NO RIDERS	1
12	33498GT	SERIAL NUMBER PLAT,SUPERTOWER*	2
13	32934GT	DECAL,OUTRIGGER STORAGE,ST2	1
14	52985GT	DECAL,CSMTC,GENIE SUPERTOWER	2
15	97547GT	DECAL,DANGER,ELEC.HAZ.	2
16	97529GT	DECAL,CAUTION,MOVING PARTS	1



A TORCH BRAND

102.1 Decals with Symbols

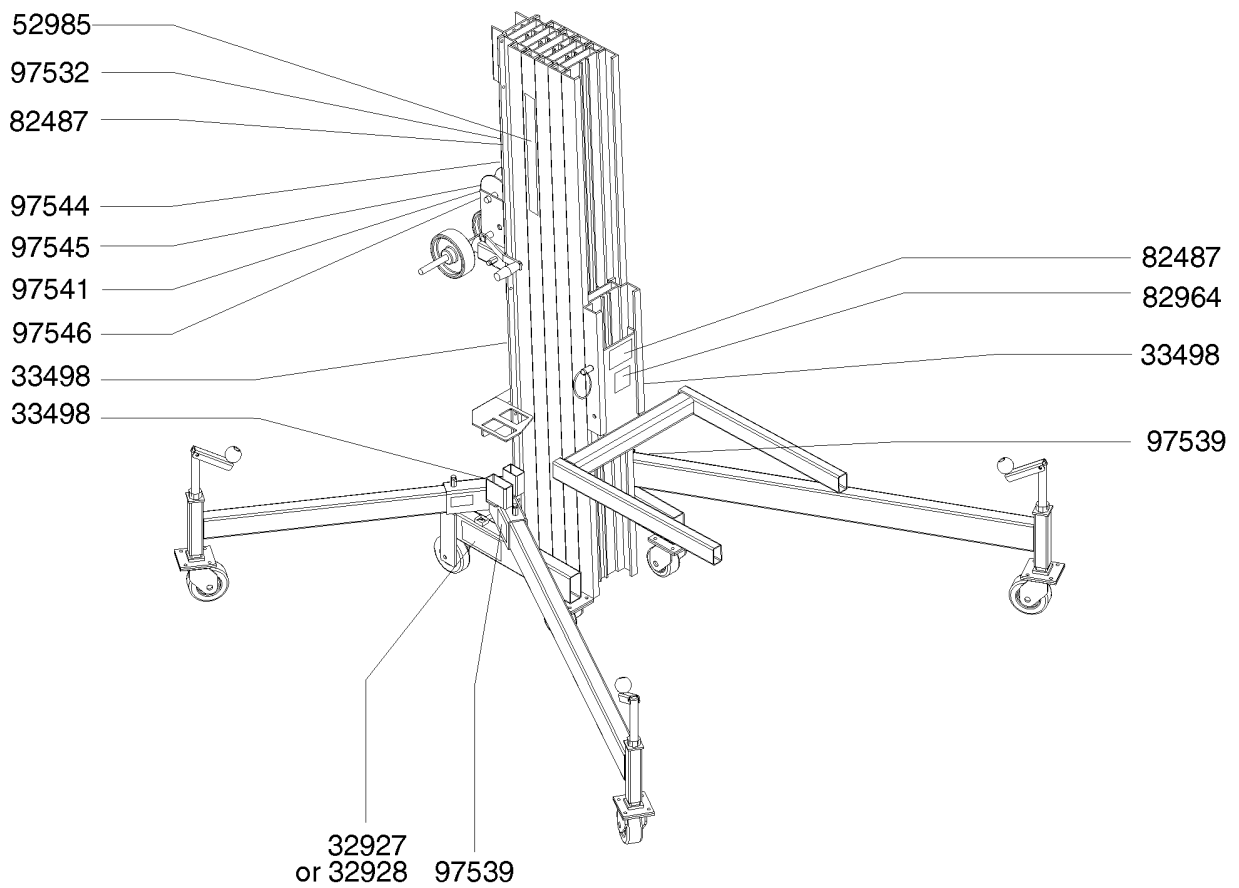


102.1 Decals with Symbols

Item	Part No.	Description	Qty.
1	32927GT	DECAL,MODEL HEIGHT ST20	2
2	32928GT	DECAL,MODEL HEIGHT,ST25	2
3	33498GT	SERIAL NUMBER PLAT,SUPERTOWER*	3
4	52985GT	DECAL,CSMTC,GENIE SUPERTOWER	2
5	82487GT	DECAL,SYMBOL-READ THE MANUAL	2
6	82964GT	DECAL,WARNING,NO RIDERS SYMB	1
7	97532GT	DECAL,CAUTION,MOVING PARTS SYM	1
8	97539GT	DECAL,DANGER,ELEC.HAZ.	2
9	97541GT	DECAL,LABEL,WINCH ONLY SYMB	1
10	97544GT	DECAL,LABEL,LOAD CNTR CHAR,ST	1
11	97545GT	DECAL,WARNING,BRAKE LOCK SYMB	1
12	97546GT	DECAL,2 SPD.WINCH SYMB	1



102.2 Decals with Symbols

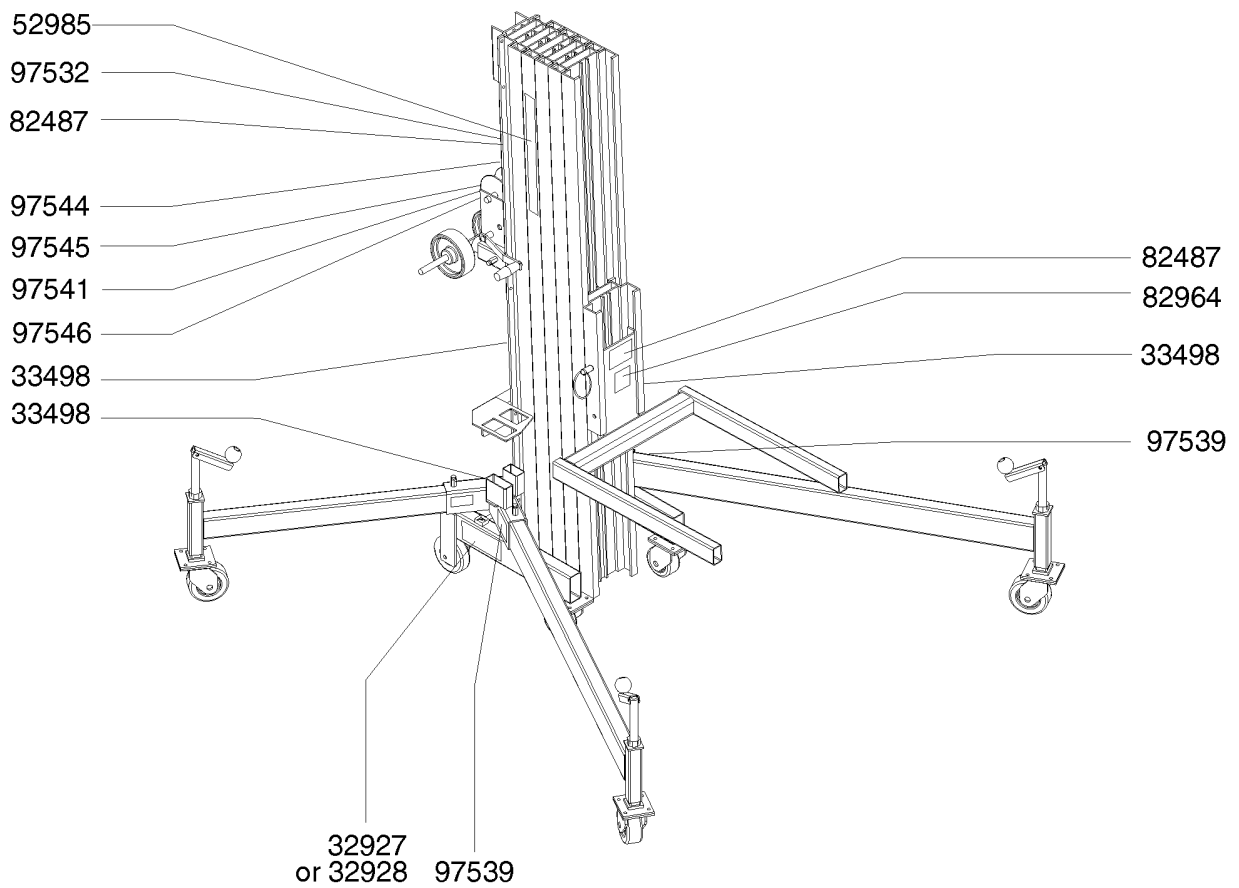


102.2 Decals with Symbols

Item	Part No.	Description	Qty.
1	32927GT	DECAL,MODEL HEIGHT ST20	2
2	32928GT	DECAL,MODEL HEIGHT,ST25	2
3	33498GT	SERIAL NUMBER PLAT,SUPERTOWER*	3
4	52985GT	DECAL,CSMTC,GENIE SUPERTOWER	2
5	82487GT	DECAL,SYMBOL-READ THE MANUAL	2
6	82964GT	DECAL,WARNING,NO RIDERS SYMB	1
7	97532GT	DECAL,CAUTION,MOVING PARTS SYM	1
8	97539GT	DECAL,DANGER,ELEC.HAZ.	2
9	97541GT	DECAL,LABEL,WINCH ONLY SYMB	1
10	97544GT	DECAL,LABEL,LOAD CNTR CHAR,ST	1
11	97545GT	DECAL,WARNING,BRAKE LOCK SYMB	1
12	97546GT	DECAL,2 SPD.WINCH SYMB	1



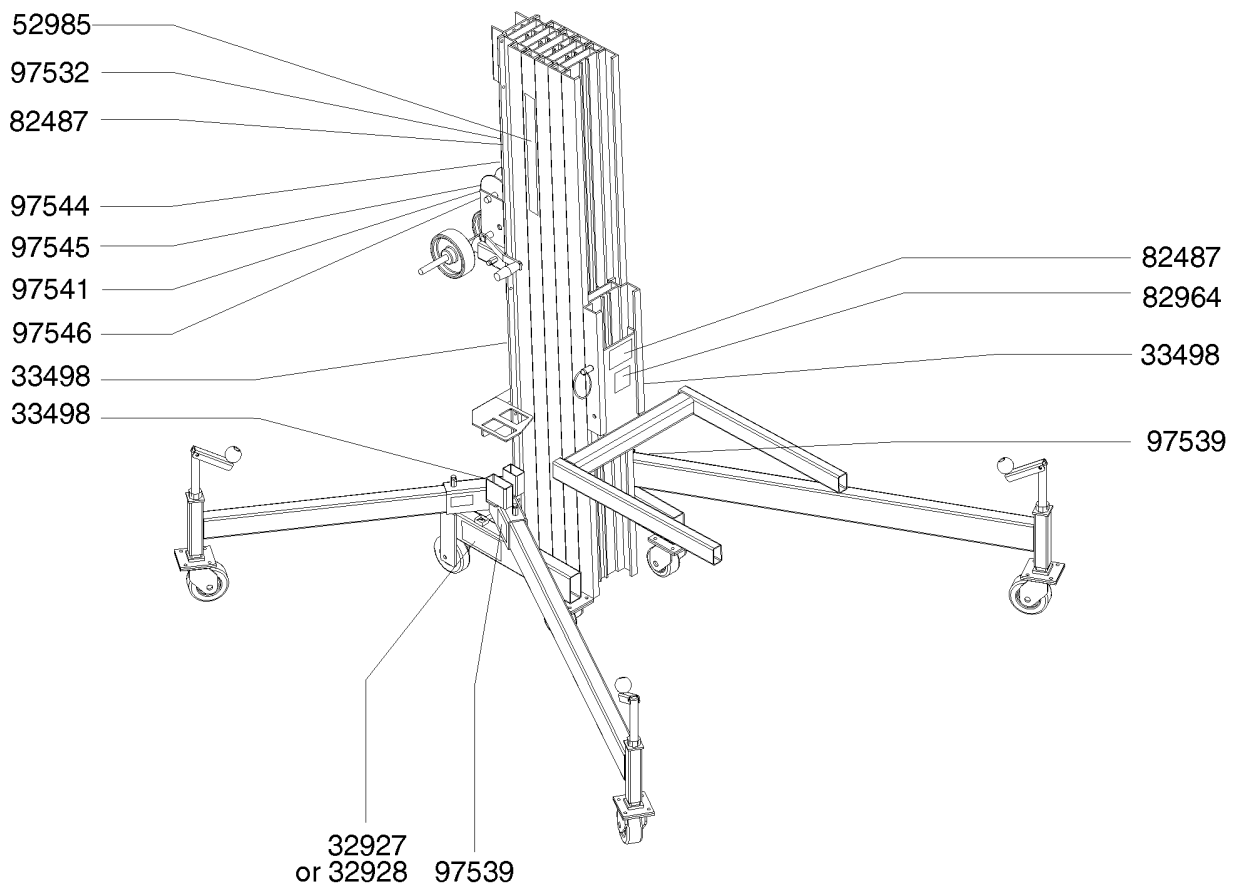
102.3 Decals with Symbols



Item	Part No.	Description	Qty.
1	32927GT	DECAL,MODEL HEIGHT ST20	2
2	32928GT	DECAL,MODEL HEIGHT,ST25	2
3	33498GT	SERIAL NUMBER PLAT,SUPERTOWER*	3
4	52985GT	DECAL,CSMTC,GENIE SUPERTOWER	2
5	82487GT	DECAL,SYMBOL-READ THE MANUAL	2
6	82964GT	DECAL,WARNING,NO RIDERS SYMB	1
7	97532GT	DECAL,CAUTION,MOVING PARTS SYM	1
8	97539GT	DECAL,DANGER,ELEC.HAZ.	2
9	97541GT	DECAL,LABEL,WINCH ONLY SYMB	1
10	97544GT	DECAL,LABEL,LOAD CNTR CHAR,ST	1
11	97545GT	DECAL,WARNING,BRAKE LOCK SYMB	1
12	97546GT	DECAL,2 SPD.WINCH SYMB	1



102.4 Decals with Symbols

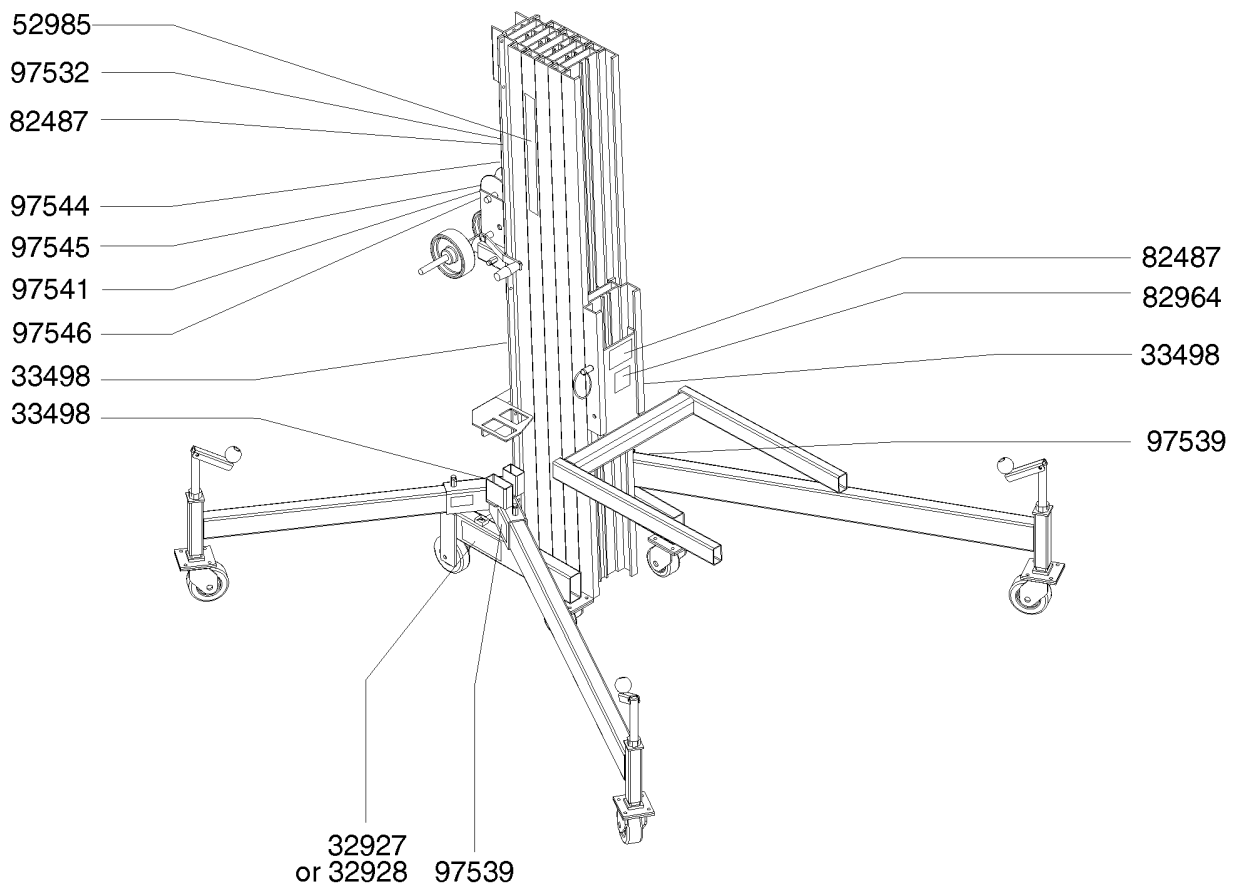


Item	Part No.	Description	Qty.
1	32927GT	DECAL,MODEL HEIGHT ST20	2
2	32928GT	DECAL,MODEL HEIGHT,ST25	2
3	33498GT	SERIAL NUMBER PLAT,SUPERTOWER* to SN ST03-2023	3
4	52985GT	DECAL,CSMTC,GENIE SUPERTOWER	2
5	82487GT	DECAL,SYMBOL-READ THE MANUAL	2
6	82964GT	DECAL,WARNING,NO RIDERS SYMB	1
7	97532GT	DECAL,CAUTION,MOVING PARTS SYM	1
8	97539GT	DECAL,DANGER,ELEC.HAZ.	2
9	97541GT	DECAL,LABEL,WINCH ONLY SYMB	1
10	97544GT	DECAL,LABEL,LOAD CNTR CHAR,ST	1
11	97545GT	DECAL,WARNING,BRAKE LOCK SYMB	1
12	97546GT	DECAL,2 SPD.WINCH SYMB	1



A TORCO GROUP

102.5 Decals with Symbols

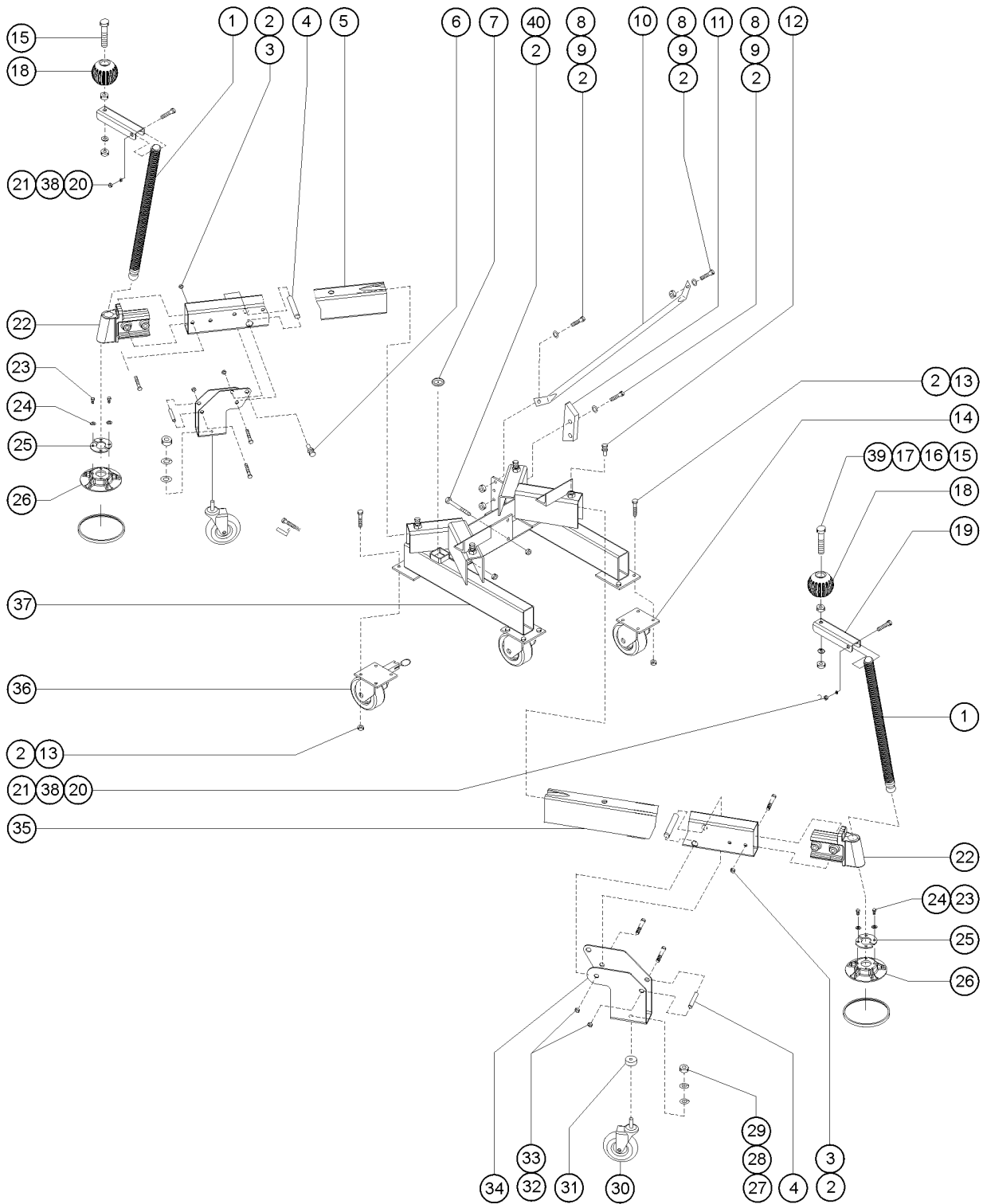


Item	Part No.	Description	Qty.
1	32927GT	DECAL,MODEL HEIGHT ST20	2
2	32928GT	DECAL,MODEL HEIGHT,ST25	2
3	33498GT	SERIAL NUMBER PLAT,SUPERTOWER* to SN ST03-2023	3
3A	80939GT	SERIAL # LABEL,MAT LIFT & SS** from SN ST03-2024	1
4	52985GT	DECAL,CSMTC,GENIE SUPERTOWER	2
5	82487GT	DECAL,SYMBOL-READ THE MANUAL	2
6	82964GT	DECAL,WARNING,NO RIDERS SYMB	1
7	97532GT	DECAL,CAUTION,MOVING PARTS SYM	1
8	97539GT	DECAL,DANGER,ELEC.HAZ.	2
9	97541GT	DECAL,LABEL,WINCH ONLY SYMB	1
10	97544GT	DECAL,LABEL,LOAD CNTR CHAR,ST	1
11	97545GT	DECAL,WARNING,BRAKE LOCK SYMB	1
12	97546GT	DECAL,2 SPD.WINCH SYMB	1



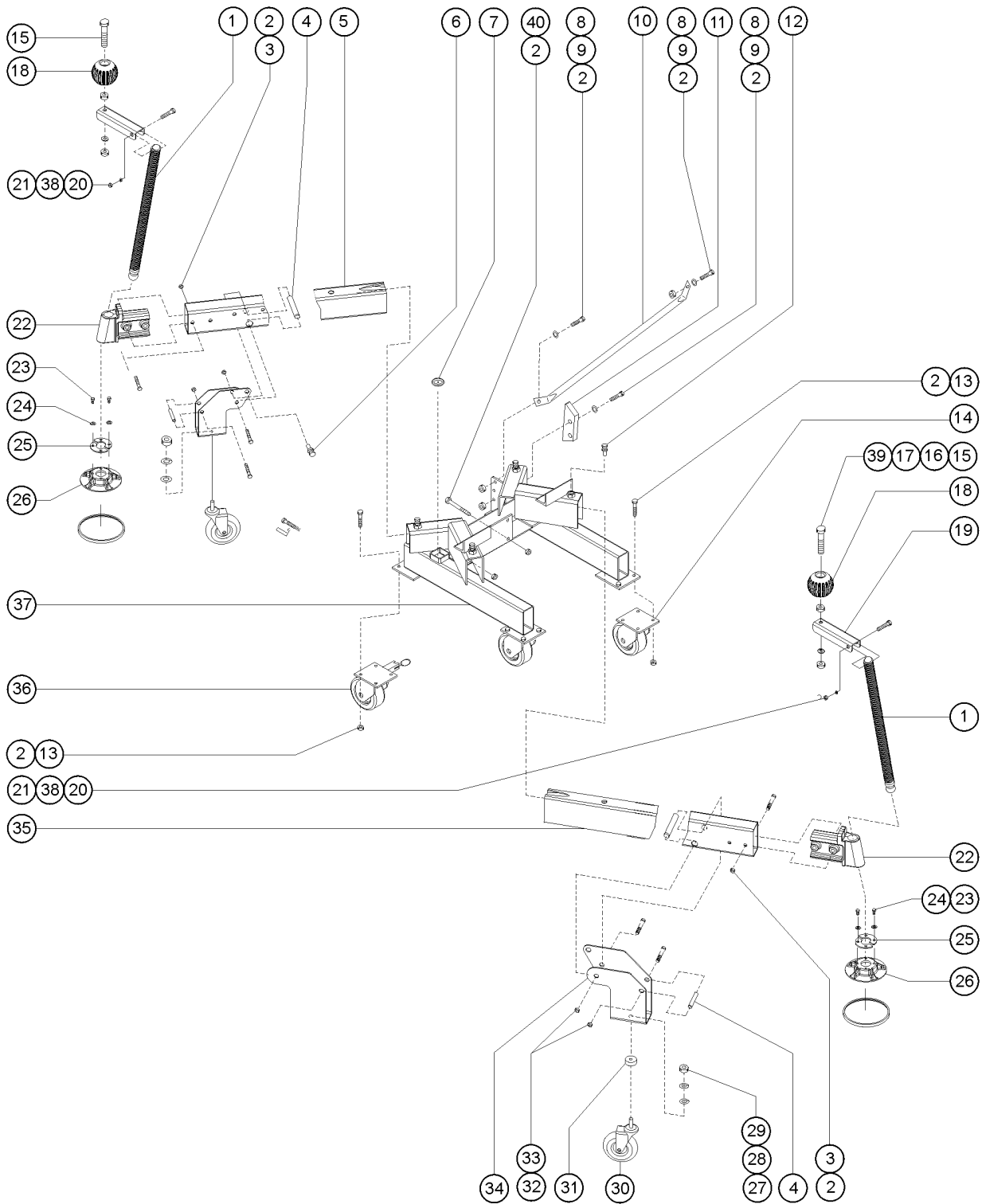
A TORON BRAND

201.1 Base Components



Item	Part No.	Description	Qty.
	124511GT	LEVELING JACK ASSEMBLY,ST (includes items 1, and 15-26)	
1	109689GT	LEVELING ROD (from SN ST08-3570)	4
2	4828GT	NUT,NYLOCK,3/8-16	
3	8178GT	SCREW,HHC,3/8-16 X 2.5	
4	32576GT	PIVOT TUBE,STABILIZER	8
5	32971GT	OUTRIGGER ASSY,ST,REAR (complete)	2
5-	33152-SGT	TUBE,OUTRIGGER REAR GRAY	
6	6825GT	PIN,OUTRIGGER LOCK	4
7	6714GT	LEVEL,BUBBLE	1
8	8516GT	SCREW, HCC, 3/8-16 X 1.50	
9	6097GT	WASHER,FLAT,USS,3/8",Y	
10	33307GT	STRUT,RH,ST2/PSL LEFT side when operator is behind the winch, and forks are on the opposite side of the machine (shown)	1
10B	33306GT	STRUT,LH,ST2/PSL RIGHT side when operator is behind the winch, and forks are on the opposite side of the machine (NOT shown)	1
11	33670GT	SKID PAD	2
12	32375GT	PIN,LOCK,LONG***	4
12-	35830GT	SNAP PIN, KIT(AWP,SLA & C,ST2)	
13	6019GT	SCREW,HHC,3/8-16 X 1.25 GRD 5	
14	57736GT	CASTER,PL,SW, 4 X 2	2
15	124568GT	SCREW,SHC,M10X1.5X55	
16	124569GT	NUT,HEX,M10X1.5.LP	
17	6021GT	WASHER,LOCK,.375	
18	6082GT	HANDLE BALL KNOB	4
19	8214GT	HANDLE,LEVELING JACK,SHRT-ZINC	4
20	49377GT	SCREW,HHC,M6 X 40	
21	49364GT	NUT,NYLOCK,M6X1.00	
22	33673GT	CASTING,LEVELING JACK ST 2	4
23	124552GT	SCREW,HHC,M6-12MM	4

201.1 Base Components

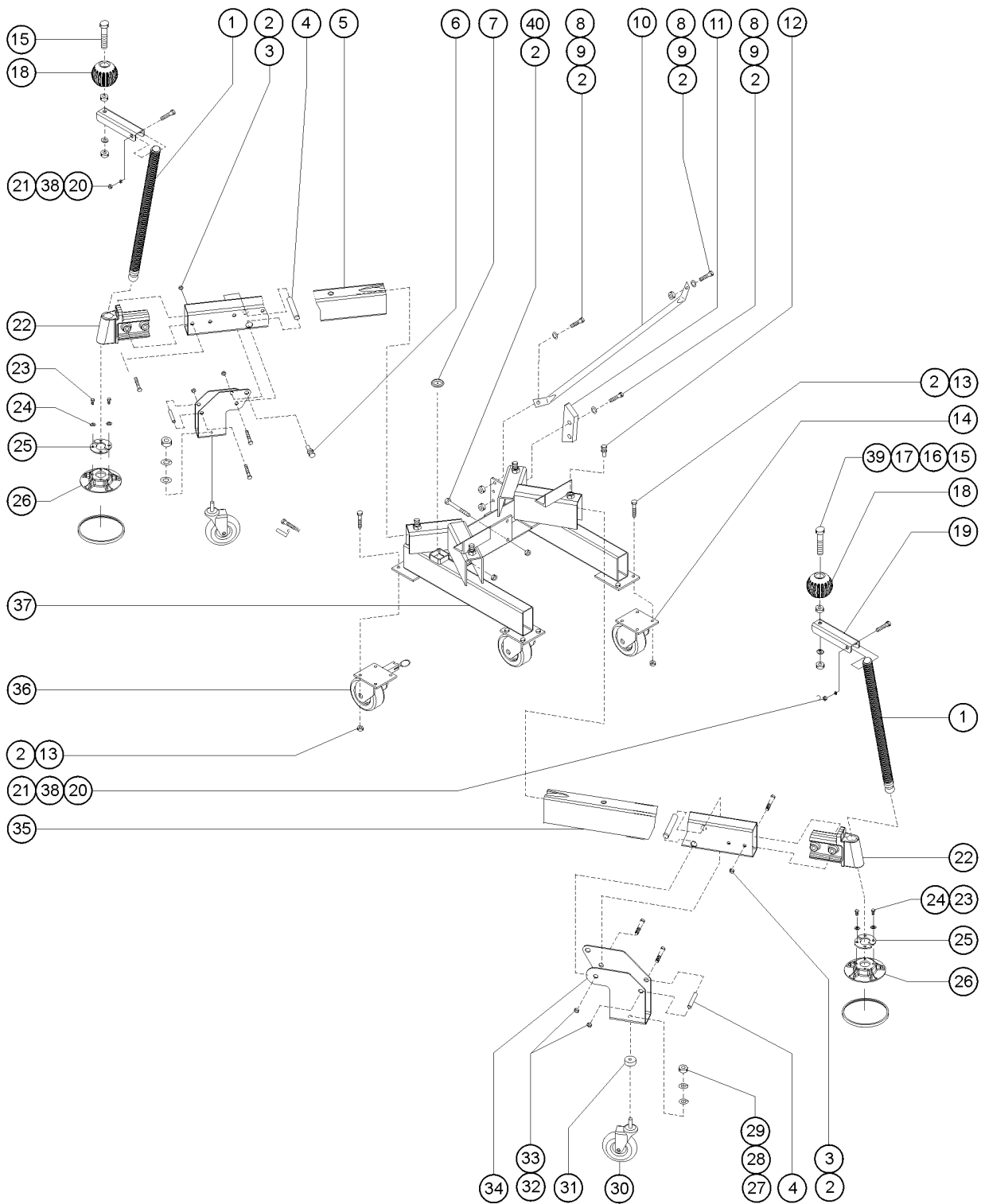


Item	Part No.	Description	Qty.
24	124792GT	WASHER,LOCK SPLIT,6MM,11.8MM	
25	124163GT	FOOTPAD SERVICE KIT (includes items 25A thru 25J) (to SN ST08-3569)	
25B	124793GT	KIT,FOOTPAD,AWP	
		(from SN ST08-3570)	
25C	109689GT	LEVELING ROD	1
		(from SN ST08-3570)	
25D	49364GT	NUT,NYLOCK,M6X1.00	1
		(from SN ST08-3570)	
25E	109715GT	PLATE,FOOTPAD RETAINER	2
		(from SN ST08-3570)	
25F	124552GT	SCREW,HHC,M6-12MM	4
		(from SN ST08-3570)	
25G	49377GT	SCREW,HHC,M6 X 40	1
		(from SN ST08-3570)	
25H	6356GT	WASHER,LOCK,.25	4
		(from SN ST08-3570)	
25J	124792GT	WASHER,LOCK SPLIT,6MM,11.8MM	4
		(from SN ST08-3570)	
26B	124163GT	FOOTPAD SERVICE KIT (includes items 1 and 23-26) (to SN ST08-3569)	
27	6034GT	NUT,HEX,JAM,1/2-13	
28	6033GT	WASHER,LOCK,0.5"	
29	6095GT	WASHER,FLAT,USS,1/2",Y	
30	57748GT	CASTER,POST, SW, 5X1.25,1/2***	4
31	33781GT	SPACER,OUTRIGGER ST II	2
32	6198GT	NUT,NYLOCK,1/2-13	
33	10598GT	SCREW,HHC,1/2-13 X 3	
34	33652PGT	BRACKET,CASTER MNT-PAINTED	4
35	32972GT	OUTRIGGER ASSY,ST,FRONT	2
35-	33151GT	TUBE,OUTRIGGER FRONT	
36	124007GT	CASTER,SW LOCK,WB,4 X 2	2
37	107176GT	BASE ASSY W/W DECALS ST20	1
		includes item 7; USA, Canada and Australia models	
37A	107177GT	BASE ASSEMBLY W/SY DECALS,ST20	
		includes item 7; Asia, South America and Europe models	
37B	107178GT	BASE ASSEMBLY W/W DECALS,ST25	
		includes item 7; USA, Canada and Australia models	
37C	107179GT	BASE ASSEMBLY W/SY DECALS,ST25	
		includes item 7; Asia, South America and Europe models	
38	49407GT	WASHER,LOCK,M6	
39	22736GT	NUT,NYLOCK,M10X1.50	



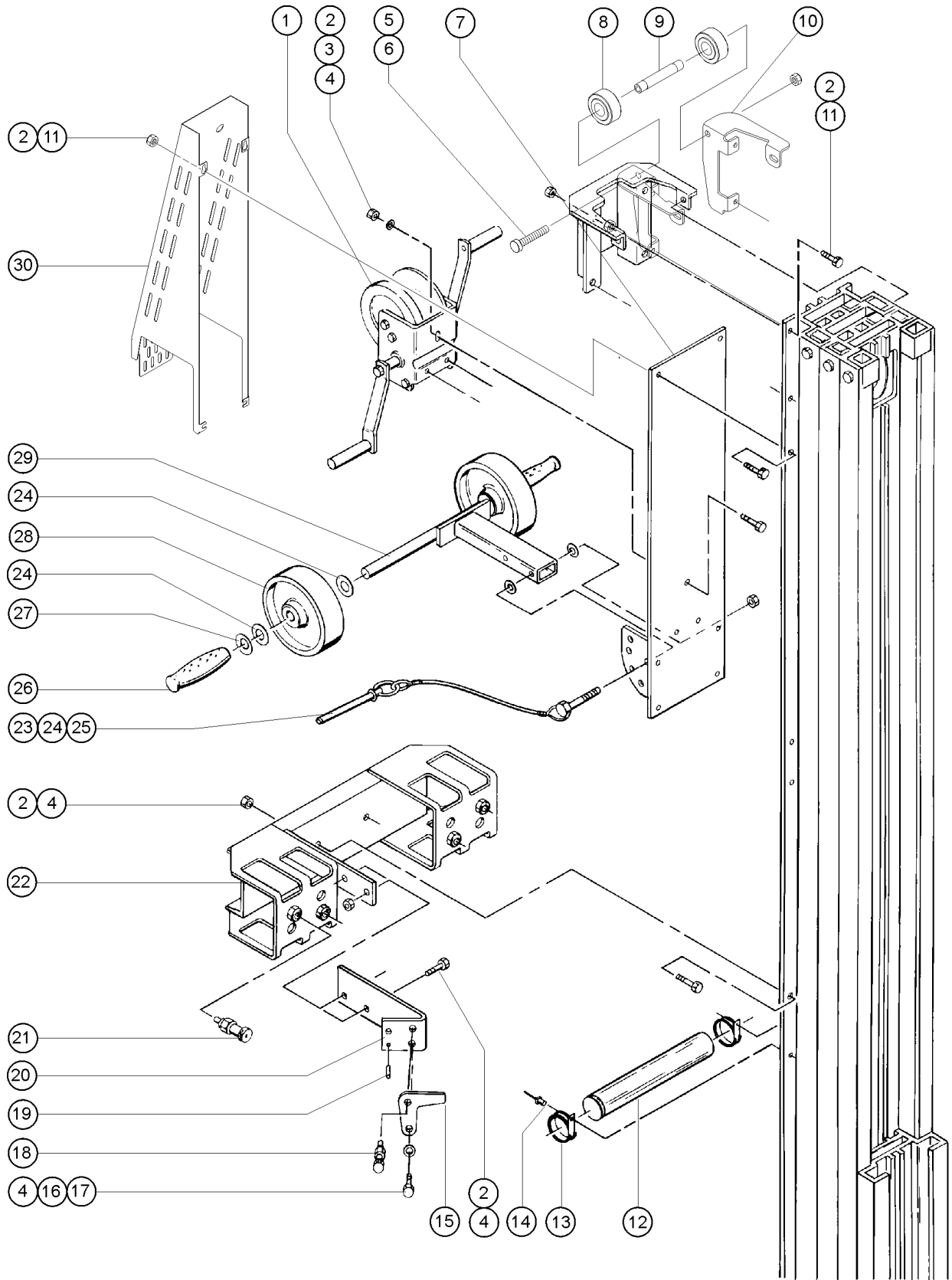
A TORCO BRAND

201.1 Base Components



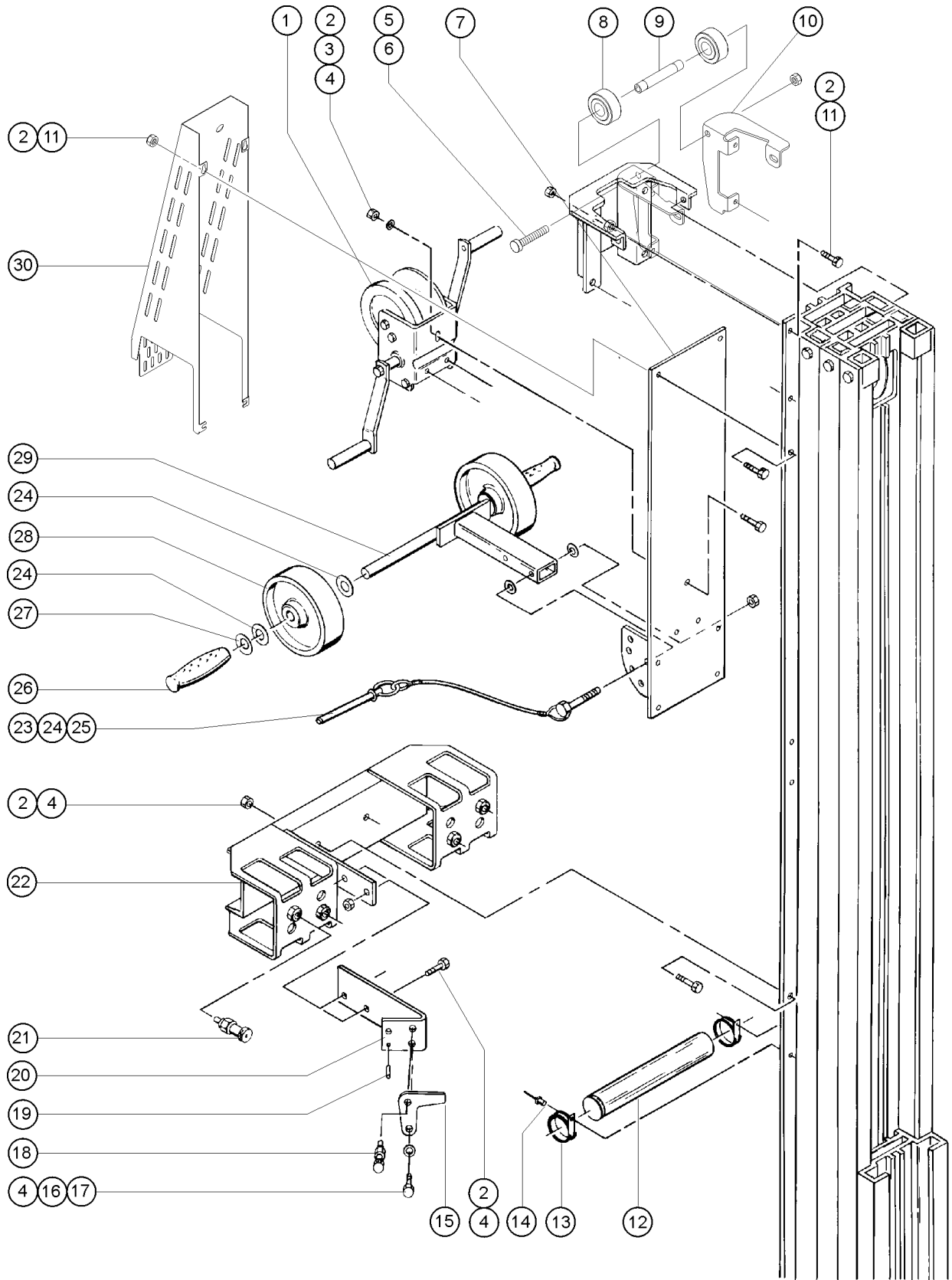
<i>Item</i>	<i>Part No.</i>	<i>Description</i>	<i>Qty.</i>
40	32645GT	SCREW,HHC,3/8-16 X 5 GRD 5 ZNC	

301.1 Number 1 Mast Attached Parts



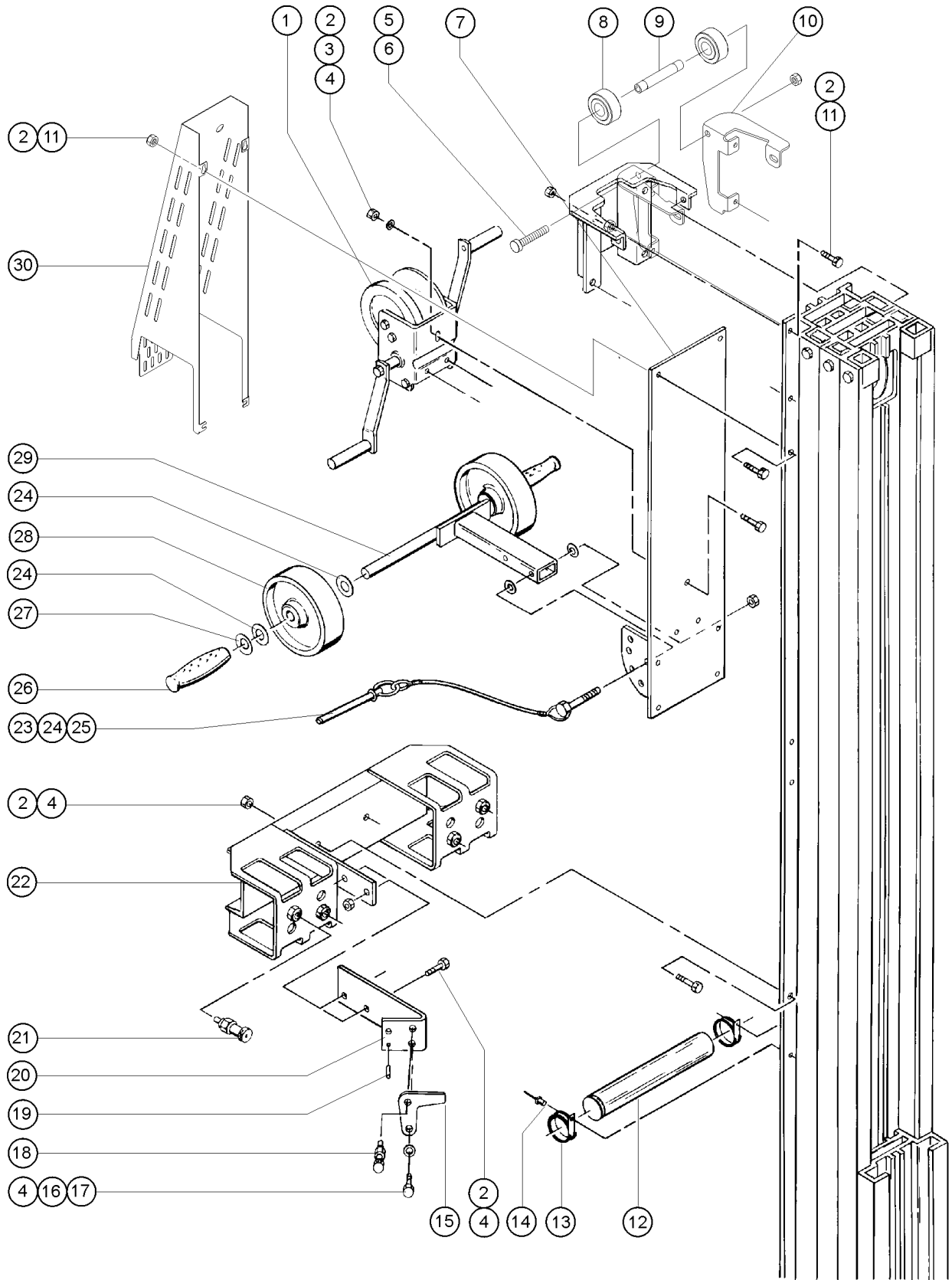
Item	Part No.	Description	Qty.
1		Ref. Winch Assembly (refer to 305.1 or 306.1)	
2	1257075GT	NUT, NYLOCK,3/8-16,GR8, ZINC	
3	6638GT	WASHER,FLAT,USS,1/4"Y	
4	6175GT	SCREW,HHC,3/8-16 X 1	
5	1257074GT	NUT, NYLOCK, 1/2-13, GR8, ZINC	
6	13005GT	SCREW,HHC,1/2-13 X 6,GRD.8	1
7	33539GT	WINCH PLATE W/DECAL ST USA, Canada and Australia models	
7A	107493GT	WINCH MOUNT PLATE, SYM DECAL Asia, South America and Europe models	
8	32473GT	WHEEL,ROLLER,NYLATRON,1.75	2
9	33843GT	SPACER,MAST STIFFENER	1
10	109579GT	MAST STIFFENER,RIGHT,GRAY***	1
10A	109580GT	MAST STIFFENER,LEFT,GRAY***	
11	6019GT	SCREW,HHC,3/8-16 X 1.25 GRD 5	
12	6600GT	INSTRUCT.TUBE W/CAPS-1.75 X 12	1
12-	31822GT	CAP,INSTRUCTION TUBE (RED)	
13	6653GT	CLAMP,1.88,#30 X 1/4,RUB CUSH	2
14	7265GT	RIVET,STEEL,P, .25 X .375	2
15	33653PGT	HOLD DOWN HOOK,ST "GRAY"	1
16	33720GT	BEARING,FLANGE,3/8 (AWP & ST)	1
17	7713GT	NUT,LP NYLOCK,3/8-16	
18	33674GT	PIN,LOCK,SHORT***	1
19	32483GT	PIN,ROLL,.25 X .50	1
20	33663PGT	BRACKET,,HOLD DOWN MNT-PAINTED	1
21	32375GT	PIN,LOCK,LONG***	1
21-	35830GT	SNAP PIN, KIT(AWP,SLA & C,ST2)	
22	33191GT	WELDMENT,OUTRIGGER SUPPT.,GRAY	1
23	100309GT	ASSY,PIN & LANYARD***	1
23-	80679GT	PIN,BALL RET.-.5 X 2.7	

301.1 Number 1 Mast Attached Parts



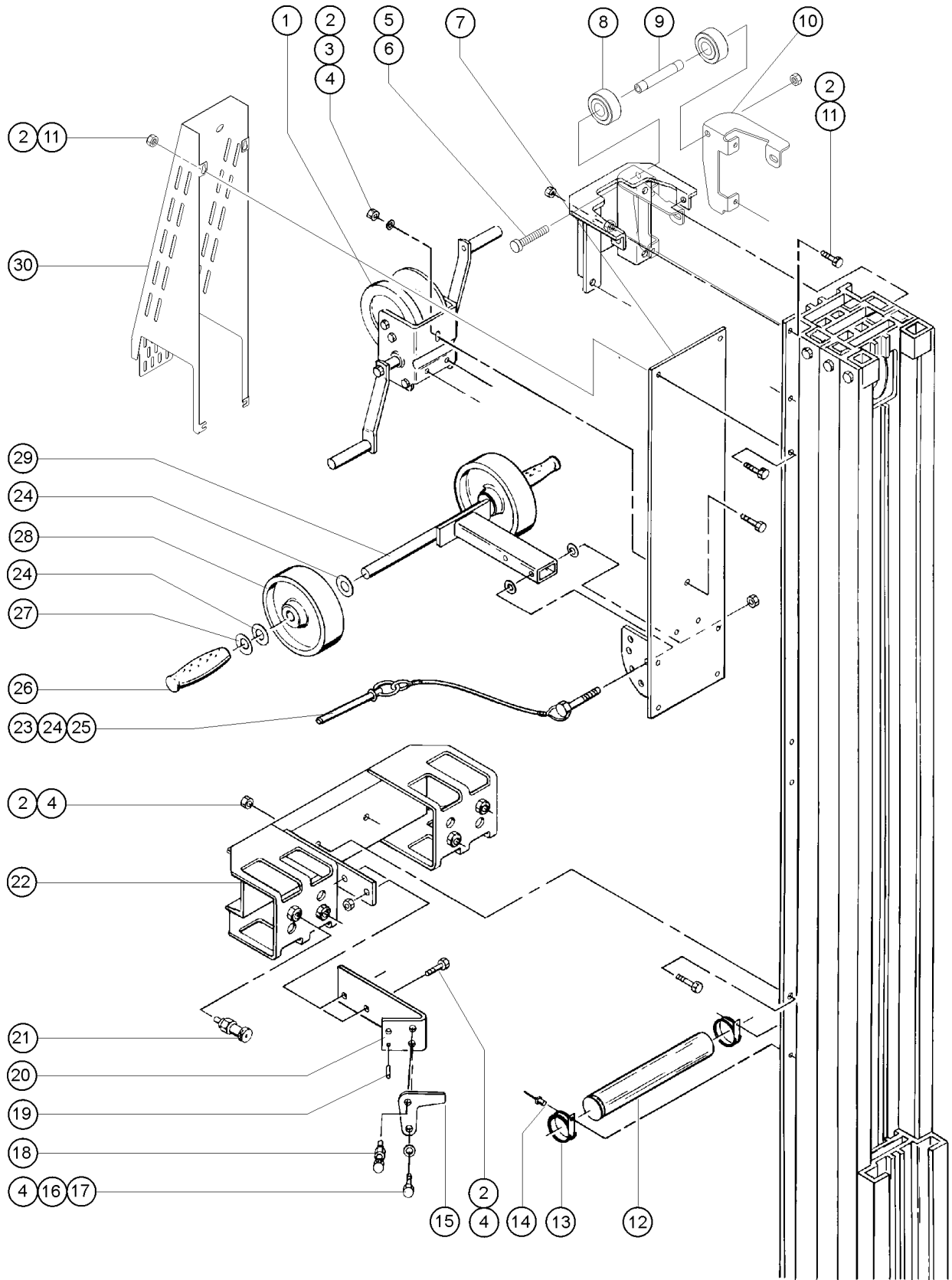
Item	Part No.	Description	Qty.
23-	2163GT	CABLE, 1/16 INCH, 7X7 STRANDS	
23-	2238GT	CABLE OVAL SLEEVE, 1/16	
23-	10598GT	SCREW, HHC, 1/2-13 X 3	
23-	40658GT	WASHER, FLAT, RETAINING, .510	
24	6564GT	WASHER, SHIM, .765 X 1.312 X .093	6
25	6086GT	NUT, LP NYLOCK, 1/2-13	
26	6587GT	HANDLE GRIP, RUBBER .75 X 4.5	2
27	33385GT	WASHER, PUSH ON .75 SHAFT	2
28	57788GT	WHEEL, POLY, 6X2, 3/4**	2
29	33540GT	LOADING WHEEL ASSY ST/SL	1
		(includes items 24 and 26-28)	
29-	33540GT	LOADING WHEEL ASSY ST/SL	

301.2 Number 1 Mast Attached Parts



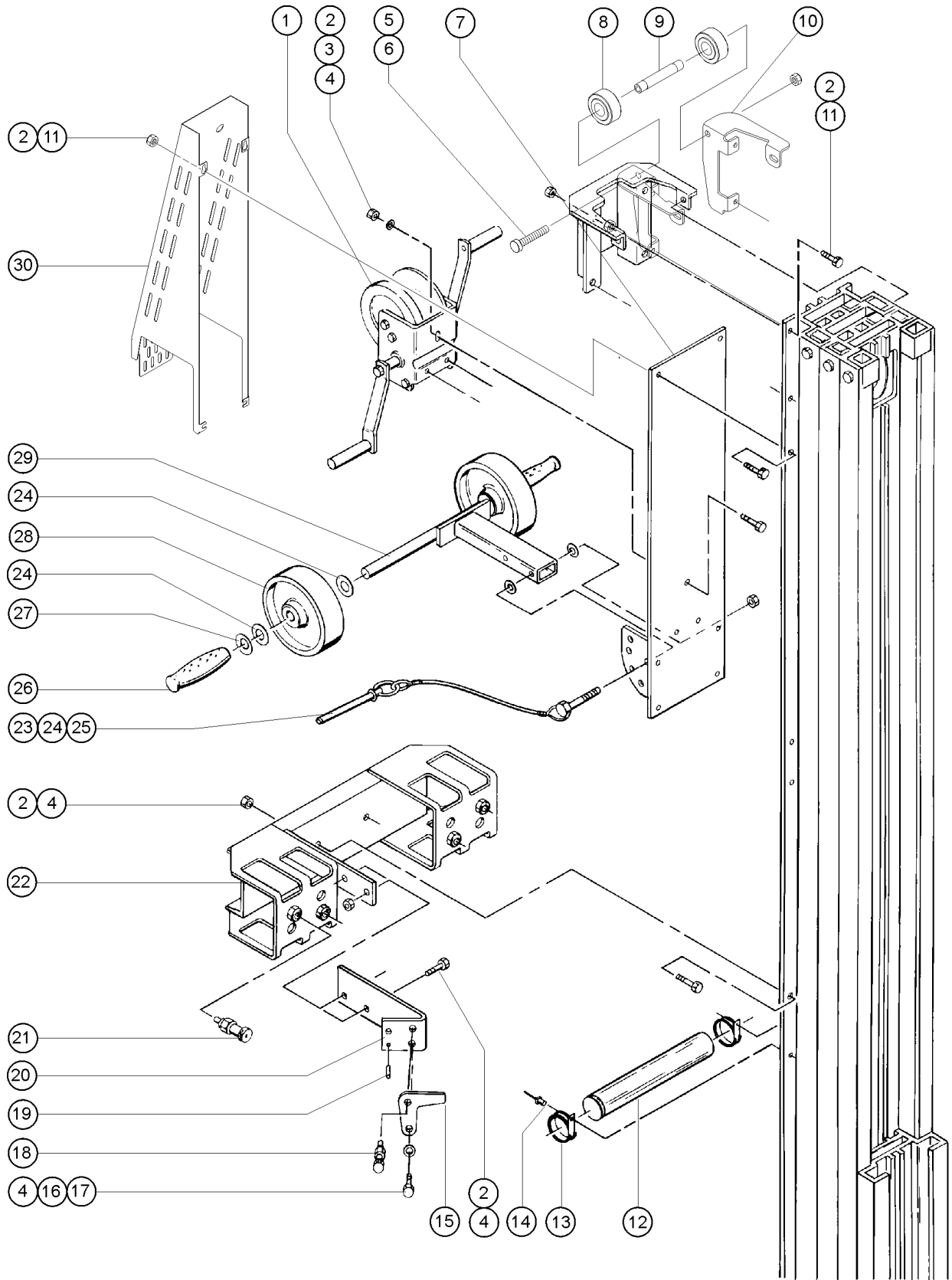
Item	Part No.	Description	Qty.
1		Ref. Winch Assembly (refer to 305.1 or 306.1)	
2	1257075GT	NUT, NYLOCK,3/8-16,GR8, ZINC	
3	6638GT	WASHER,FLAT,USS,1/4"Y	
4	6175GT	SCREW,HHC,3/8-16 X 1	
5	1257074GT	NUT, NYLOCK, 1/2-13, GR8, ZINC	
6	13005GT	SCREW,HHC,1/2-13 X 6,GRD.8	1
7	33539GT	WINCH PLATE W/DECAL ST USA, Canada and Australia models	
7A	107493GT	WINCH MOUNT PLATE, SYM DECAL Asia, South America and Europe models	
8	32473GT	WHEEL,ROLLER,NYLATRON,1.75	2
9	33843GT	SPACER,MAST STIFFENER	1
10	109579GT	MAST STIFFENER,RIGHT,GRAY***	1
10A	109580GT	MAST STIFFENER,LEFT,GRAY***	
11	6019GT	SCREW,HHC,3/8-16 X 1.25 GRD 5	
12	6600GT	INSTRUCT.TUBE W/CAPS-1.75 X 12	1
12-	31822GT	CAP,INSTRUCTION TUBE (RED)	
13	6653GT	CLAMP,1.88,#30 X 1/4,RUB CUSH	2
14	7265GT	RIVET,STEEL,P, .25 X .375	2
15	33653PGT	HOLD DOWN HOOK,ST "GRAY"	1
16	33720GT	BEARING,FLANGE,3/8 (AWP & ST)	1
17	7713GT	NUT,LP NYLOCK,3/8-16	
18	33674GT	PIN,LOCK,SHORT***	1
19	32483GT	PIN,ROLL,.25 X .50	1
20	33663PGT	BRACKET,,HOLD DOWN MNT-PAINTED	1
21	32375GT	PIN,LOCK,LONG***	1
21-	35830GT	SNAP PIN, KIT(AWP,SLA & C,ST2)	
22	33191GT	WELDMENT,OUTRIGGER SUPPT.,GRAY	1
23	100309GT	ASSY,PIN & LANYARD***	1
23-	80679GT	PIN,BALL RET.-.5 X 2.7	

301.2 Number 1 Mast Attached Parts



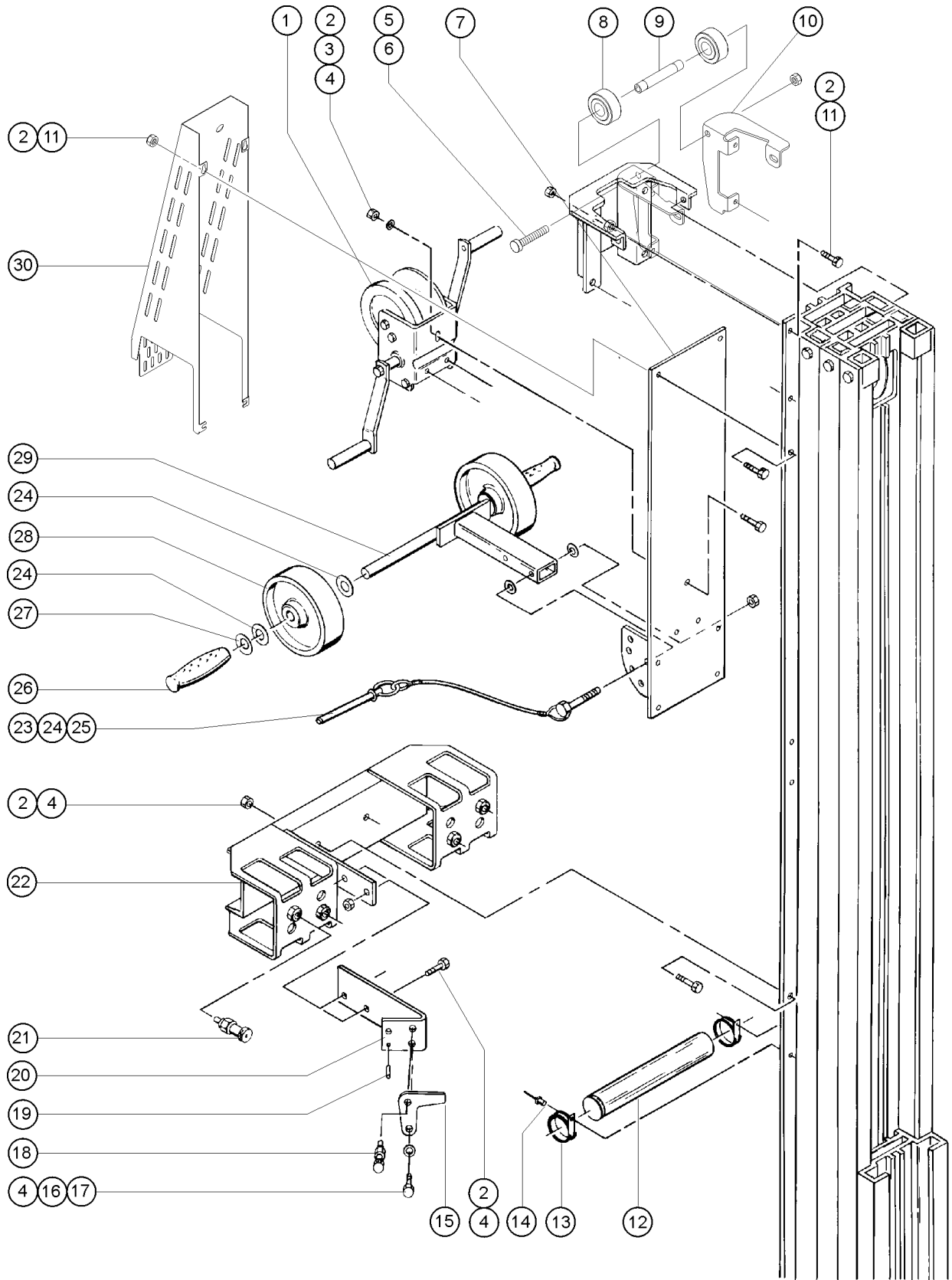
Item	Part No.	Description	Qty.
23-	2163GT	CABLE, 1/16 INCH, 7X7 STRANDS	
23-	2238GT	CABLE OVAL SLEEVE, 1/16	
23-	10598GT	SCREW, HHC, 1/2-13 X 3	
23-	40658GT	WASHER, FLAT, RETAINING, .510	
24	6564GT	WASHER, SHIM, .765 X 1.312 X .093	6
25	6086GT	NUT, LP NYLOCK, 1/2-13	
26	6587GT	HANDLE GRIP, RUBBER .75 X 4.5	2
27	33385GT	WASHER, PUSH ON .75 SHAFT	2
28	57788GT	WHEEL, POLY, 6X2, 3/4**	2
29	33540GT	LOADING WHEEL ASSY ST/SL	1
		(includes items 24 and 26-28)	
29-	33540GT	LOADING WHEEL ASSY ST/SL	

301.3 Number 1 Mast Attached Parts



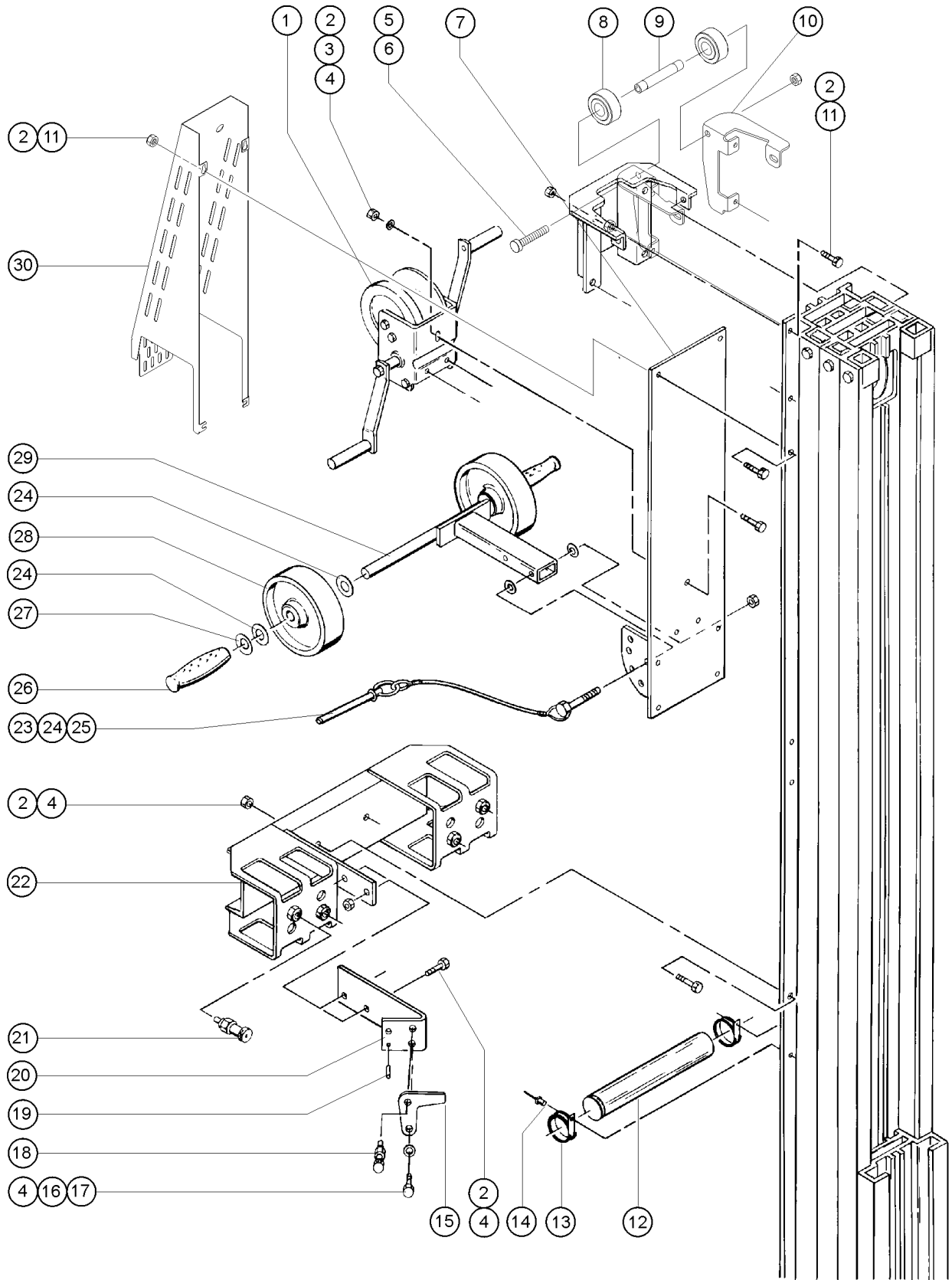
Item	Part No.	Description	Qty.
1		Ref. Winch Assembly (refer to 305.1 or 306.1)	
2	1257075GT	NUT, NYLOCK,3/8-16,GR8, ZINC	
3	6638GT	WASHER,FLAT,USS,1/4"Y	
4	6175GT	SCREW,HHC,3/8-16 X 1	
5	1257074GT	NUT, NYLOCK, 1/2-13, GR8, ZINC	
6	13005GT	SCREW,HHC,1/2-13 X 6,GRD.8	1
7	33539GT	WINCH PLATE W/DECAL ST USA, Canada and Australia models	
7A	107493GT	WINCH MOUNT PLATE, SYM DECAL Asia, South America and Europe models	
8	32473GT	WHEEL,ROLLER,NYLATRON,1.75	2
9	33843GT	SPACER,MAST STIFFENER	1
10	109579GT	MAST STIFFENER,RIGHT,GRAY***	1
10A	109580GT	MAST STIFFENER,LEFT,GRAY***	
11	6019GT	SCREW,HHC,3/8-16 X 1.25 GRD 5	
12	6600GT	INSTRUCT.TUBE W/CAPS-1.75 X 12	1
12-	31822GT	CAP,INSTRUCTION TUBE (RED)	
13	6653GT	CLAMP,1.88,#30 X 1/4,RUB CUSH	2
14	7265GT	RIVET,STEEL,P, .25 X .375	2
15	33653PGT	HOLD DOWN HOOK,ST "GRAY"	1
16	33720GT	BEARING,FLANGE,3/8 (AWP & ST)	1
17	7713GT	NUT,LP NYLOCK,3/8-16	
18	33674GT	PIN,LOCK,SHORT***	1
19	32483GT	PIN,ROLL,.25 X .50	1
20	33663PGT	BRACKET,,HOLD DOWN MNT-PAINTED	1
21	32375GT	PIN,LOCK,LONG***	1
21-	35830GT	SNAP PIN, KIT(AWP,SLA & C,ST2)	
22	33191GT	WELDMENT,OUTRIGGER SUPPT.,GRAY	1
23	100309GT	ASSY,PIN & LANYARD***	1
23-	80679GT	PIN,BALL RET.-.5 X 2.7	

301.3 Number 1 Mast Attached Parts



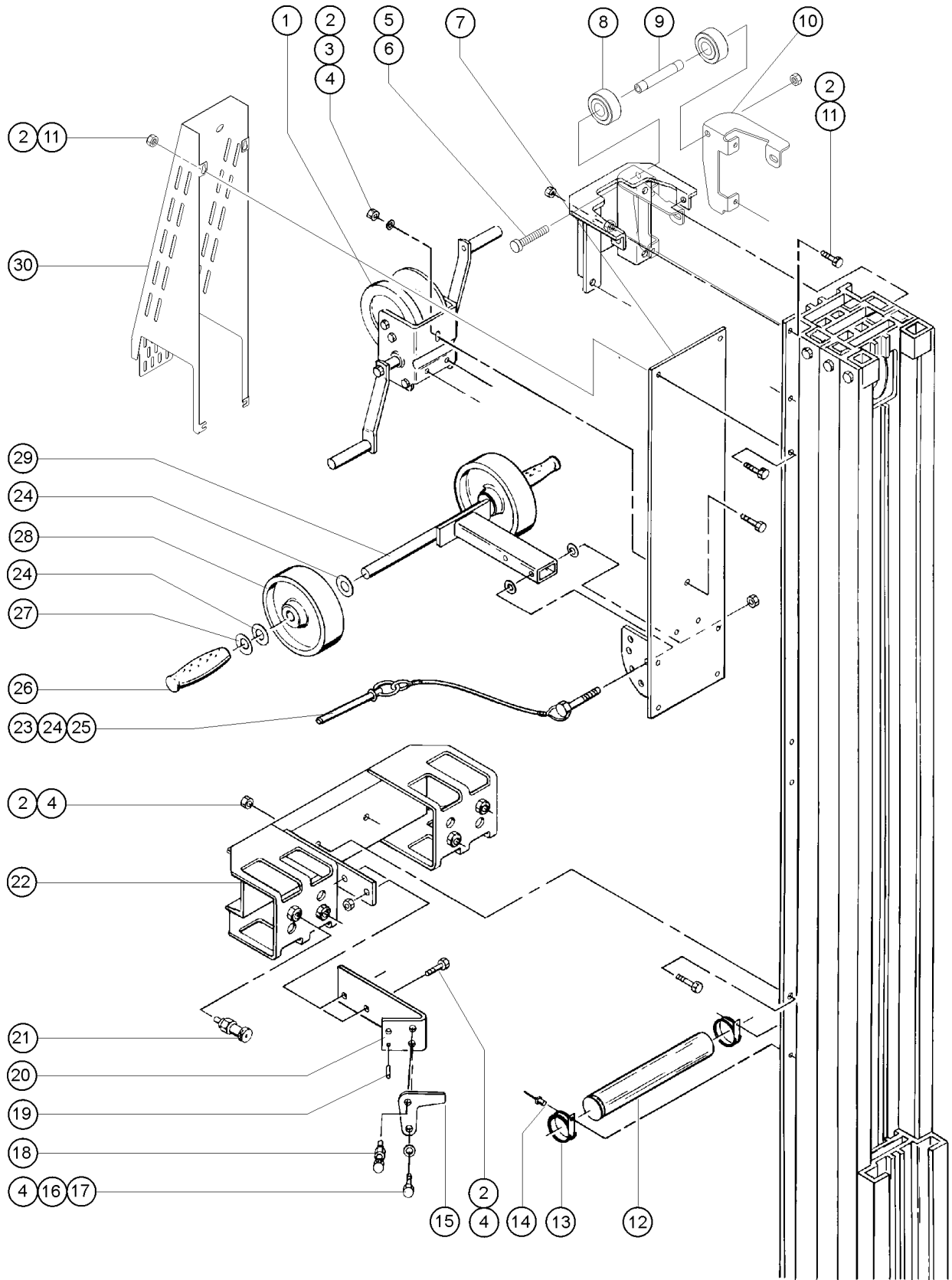
Item	Part No.	Description	Qty.
23-	2163GT	CABLE, 1/16 INCH, 7X7 STRANDS	
23-	2238GT	CABLE OVAL SLEEVE, 1/16	
23-	10598GT	SCREW, HHC, 1/2-13 X 3	
23-	40658GT	WASHER, FLAT, RETAINING, .510	
24	6564GT	WASHER, SHIM, .765 X 1.312 X .093	6
25	6086GT	NUT, LP NYLOCK, 1/2-13	
26	6587GT	HANDLE GRIP, RUBBER .75 X 4.5	2
27	33385GT	WASHER, PUSH ON .75 SHAFT	2
28	57788GT	WHEEL, POLY, 6X2, 3/4**	2
29	33540GT	LOADING WHEEL ASSY ST/SL	1
		(includes items 24 and 26-28)	
29-	33540GT	LOADING WHEEL ASSY ST/SL	

301.4 Number 1 Mast Attached Parts



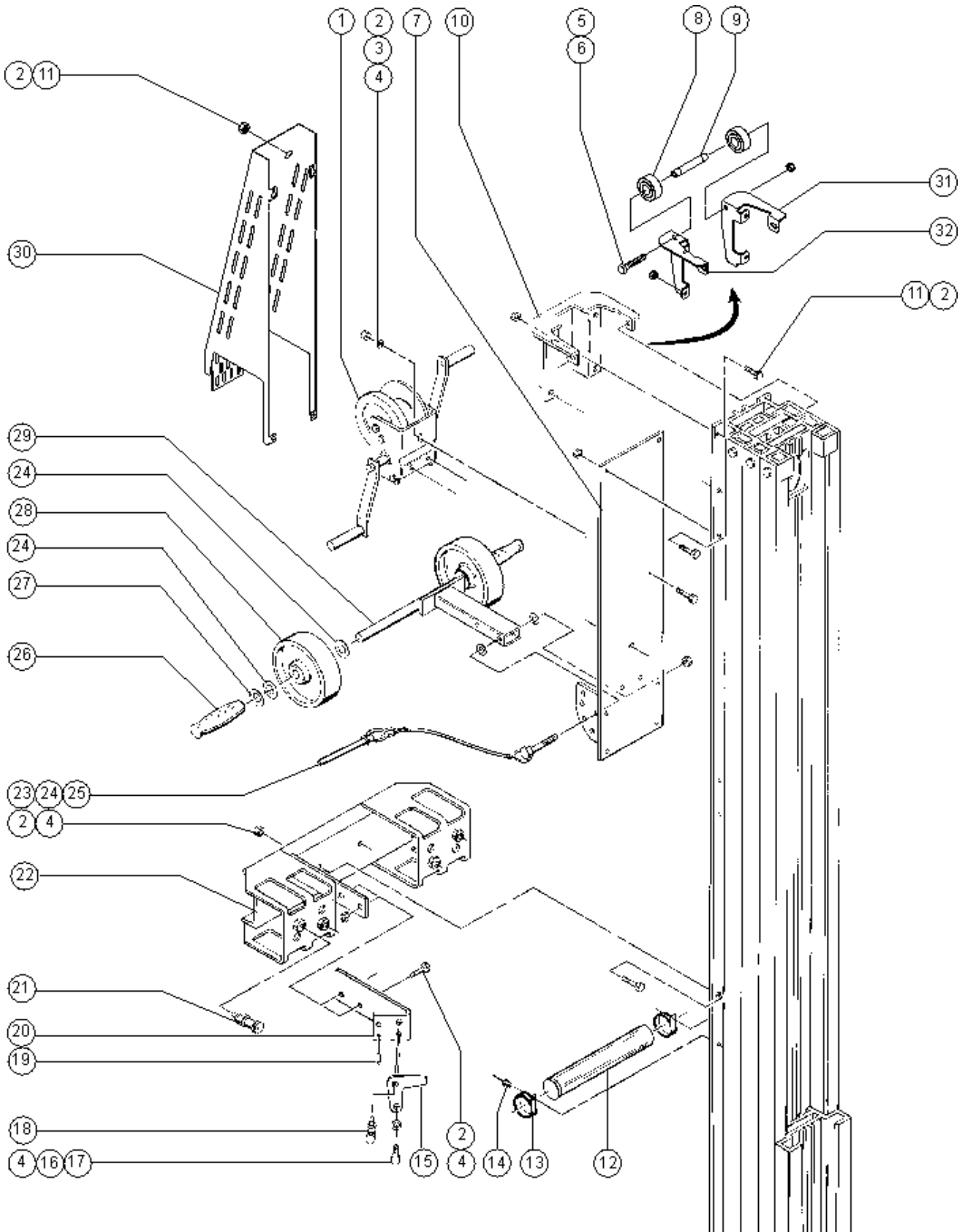
Item	Part No.	Description	Qty.
1		Ref. Winch Assembly (refer to 305.1 or 306.1)	
2	1257075GT	NUT, NYLOCK,3/8-16,GR8, ZINC	
3	6638GT	WASHER,FLAT,USS,1/4"Y	
4	6175GT	SCREW,HHC,3/8-16 X 1	
5	1257074GT	NUT, NYLOCK, 1/2-13, GR8, ZINC	
6	13005GT	SCREW,HHC,1/2-13 X 6,GRD.8	1
7	33539GT	WINCH PLATE W/DECAL ST USA, Canada and Australia models	
7A	107493GT	WINCH MOUNT PLATE, SYM DECAL Asia, South America and Europe models	
8	32473GT	WHEEL,ROLLER,NYLATRON,1.75	2
9	33843GT	SPACER,MAST STIFFENER	1
10	109579GT	MAST STIFFENER,RIGHT,GRAY***	1
10A	109580GT	MAST STIFFENER,LEFT,GRAY***	
11	6019GT	SCREW,HHC,3/8-16 X 1.25 GRD 5	
12	6600GT	INSTRUCT.TUBE W/CAPS-1.75 X 12	1
12-	31822GT	CAP,INSTRUCTION TUBE (RED)	
13	6653GT	CLAMP,1.88,#30 X 1/4,RUB CUSH	2
14	7265GT	RIVET,STEEL,P, .25 X .375	2
15	33653PGT	HOLD DOWN HOOK,ST "GRAY"	1
16	33720GT	BEARING,FLANGE,3/8 (AWP & ST)	1
17	7713GT	NUT,LP NYLOCK,3/8-16	
18	33674GT	PIN,LOCK,SHORT***	1
19	32483GT	PIN,ROLL,.25 X .50	1
20	33663PGT	BRACKET,,HOLD DOWN MNT-PAINTED	1
21	32375GT	PIN,LOCK,LONG***	1
21-	35830GT	SNAP PIN, KIT(AWP,SLA & C,ST2)	
22	33191GT	WELDMENT,OUTRIGGER SUPPT.,GRAY	1
23	100309GT	ASSY,PIN & LANYARD***	1
23-	80679GT	PIN,BALL RET.-.5 X 2.7	

301.4 Number 1 Mast Attached Parts



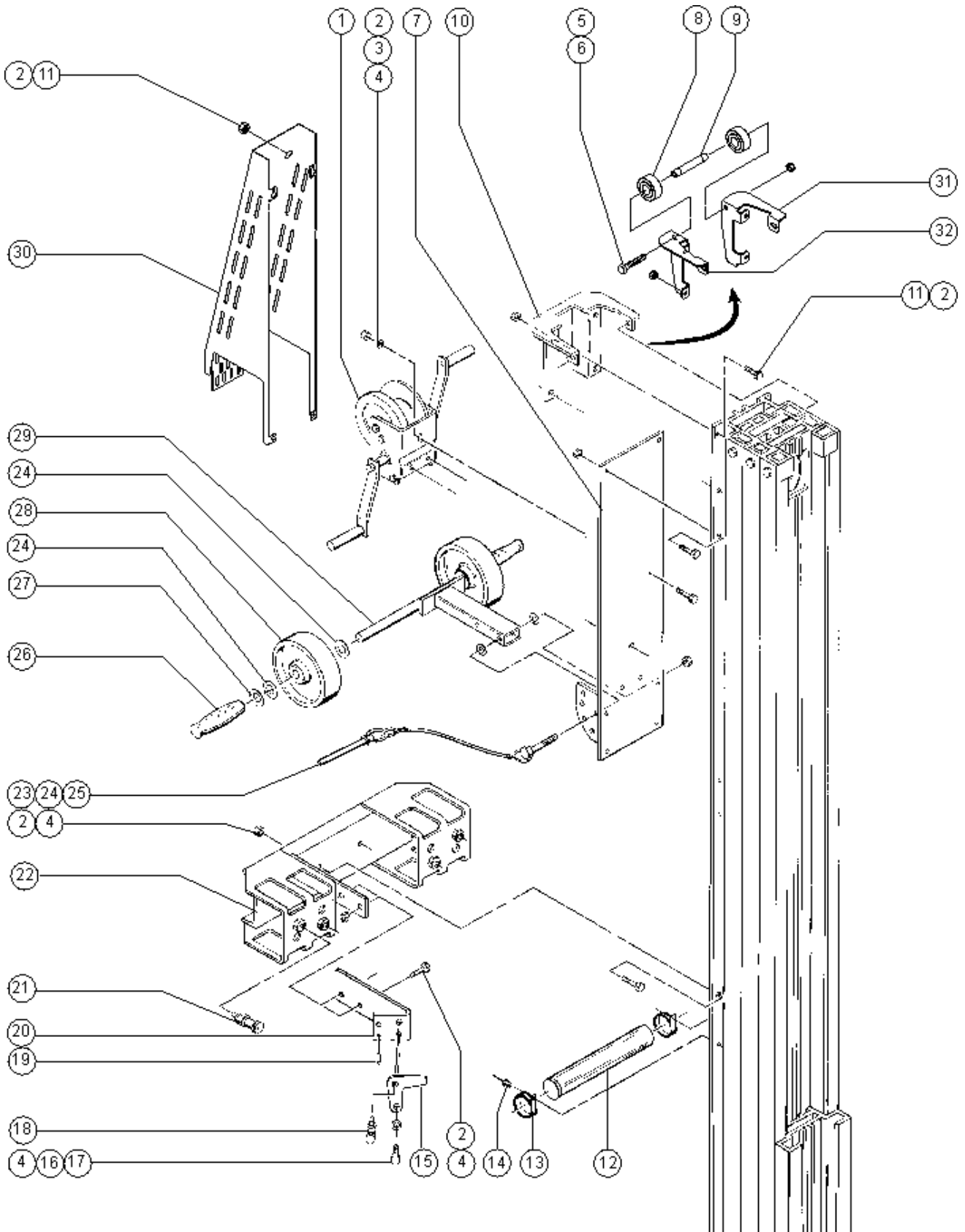
Item	Part No.	Description	Qty.
23-	2163GT	CABLE, 1/16 INCH, 7X7 STRANDS	
23-	2238GT	CABLE OVAL SLEEVE, 1/16	
23-	10598GT	SCREW, HHC, 1/2-13 X 3	
23-	40658GT	WASHER, FLAT, RETAINING, .510	
24	6564GT	WASHER, SHIM, .765 X 1.312 X .093	6
25	6086GT	NUT, LP NYLOCK, 1/2-13	
26	6587GT	HANDLE GRIP, RUBBER .75 X 4.5	2
27	33385GT	WASHER, PUSH ON .75 SHAFT	2
28	57788GT	WHEEL, POLY, 6X2, 3/4**	2
29	33540GT	LOADING WHEEL ASSY ST/SL	1
		(includes items 24 and 26-28)	
29-	33540GT	LOADING WHEEL ASSY ST/SL	

301.5 Number 1 Mast Attached Parts



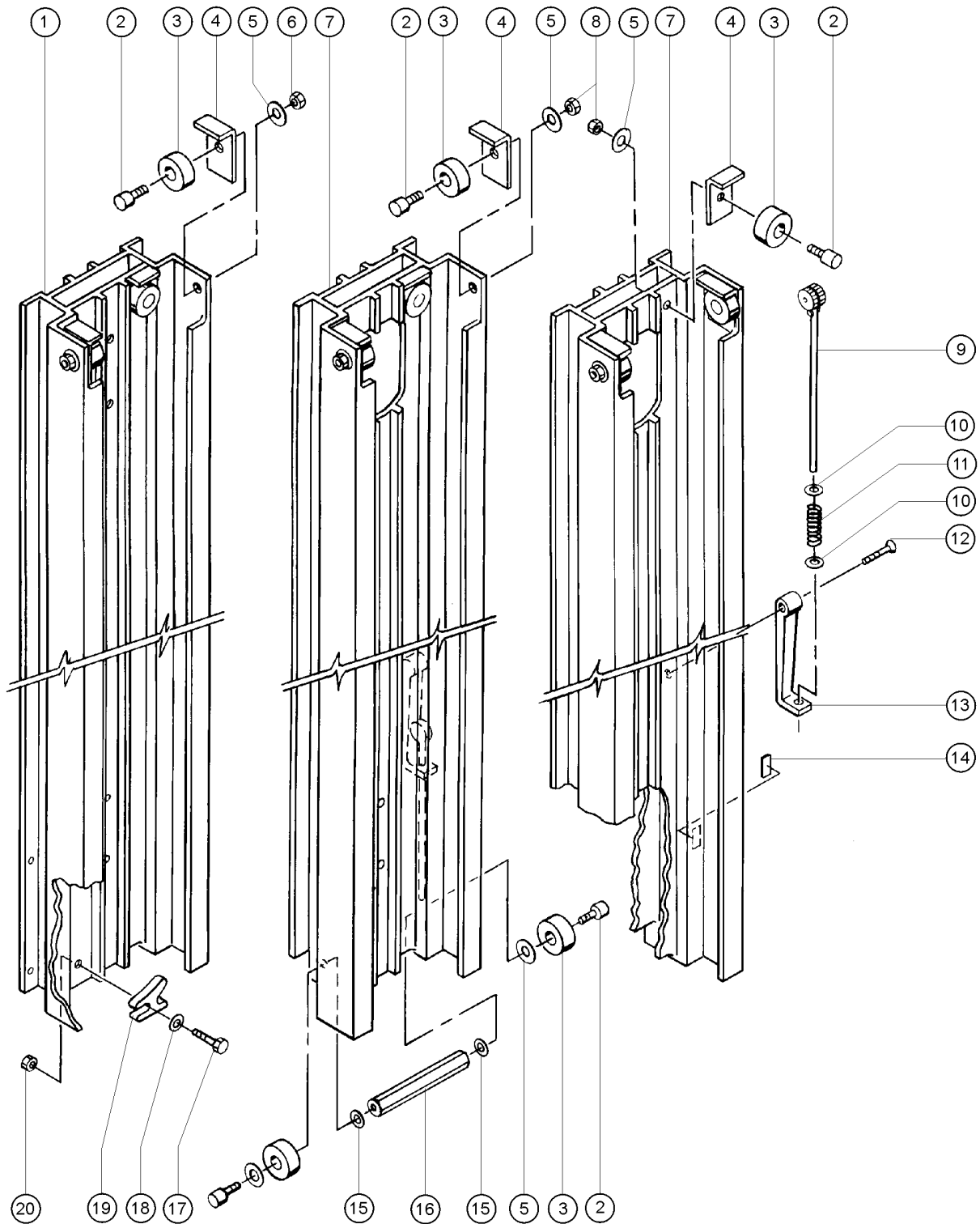
Item	Part No.	Description	Qty.
1		Ref. Winch Assembly (refer to 305.1 or 306.1)	
2	1257075GT	NUT, NYLOCK,3/8-16,GR8, ZINC	
3	6638GT	WASHER,FLAT,USS,1/4"Y	
4	6175GT	SCREW,HHC,3/8-16 X 1	
5	1257074GT	NUT, NYLOCK, 1/2-13, GR8, ZINC	
6	13005GT	SCREW,HHC,1/2-13 X 6,GRD.8	1
7	33539GT	WINCH PLATE W/DECAL ST USA, Canada and Australia models	
7A	107493GT	WINCH MOUNT PLATE, SYM DECAL Asia, South America and Europe models	
8	32473GT	WHEEL,ROLLER,NYLATRON,1.75	2
9	33843GT	SPACER,MAST STIFFENER	1
10	35814GT	MAST STIFF. ASSY.SLC,ST2 assembly contains items 31 and 32	1
11	6019GT	SCREW,HHC,3/8-16 X 1.25 GRD 5	
12	6600GT	INSTRUCT.TUBE W/CAPS-1.75 X 12	1
12-	31822GT	CAP,INSTRUCTION TUBE (RED)	
13	6653GT	CLAMP,1.88,#30 X 1/4,RUB CUSH	2
14	7265GT	RIVET,STEEL,P, .25 X .375	2
15	33653PGT	HOLD DOWN HOOK,ST "GRAY"	1
16	33720GT	BEARING,FLANGE,3/8 (AWP & ST)	1
17	7713GT	NUT,LP NYLOCK,3/8-16	
18	33674GT	PIN,LOCK,SHORT***	1
19	32483GT	PIN,ROLL,.25 X .50	1
20	33663PGT	BRACKET,,HOLD DOWN MNT-PAINTED	1
21	32375GT	PIN,LOCK,LONG***	1
21-	35830GT	SNAP PIN, KIT(AWP,SLA & C,ST2)	
22	33191GT	WELDMENT,OUTRIGGER SUPPT.,GRAY	1
23	100309GT	ASSY,PIN & LANYARD***	1
23-	80679GT	PIN,BALL RET.-.5 X 2.7	
23-	2163GT	CABLE,1/16INCH,7X7 STRANDS	

301.5 Number 1 Mast Attached Parts



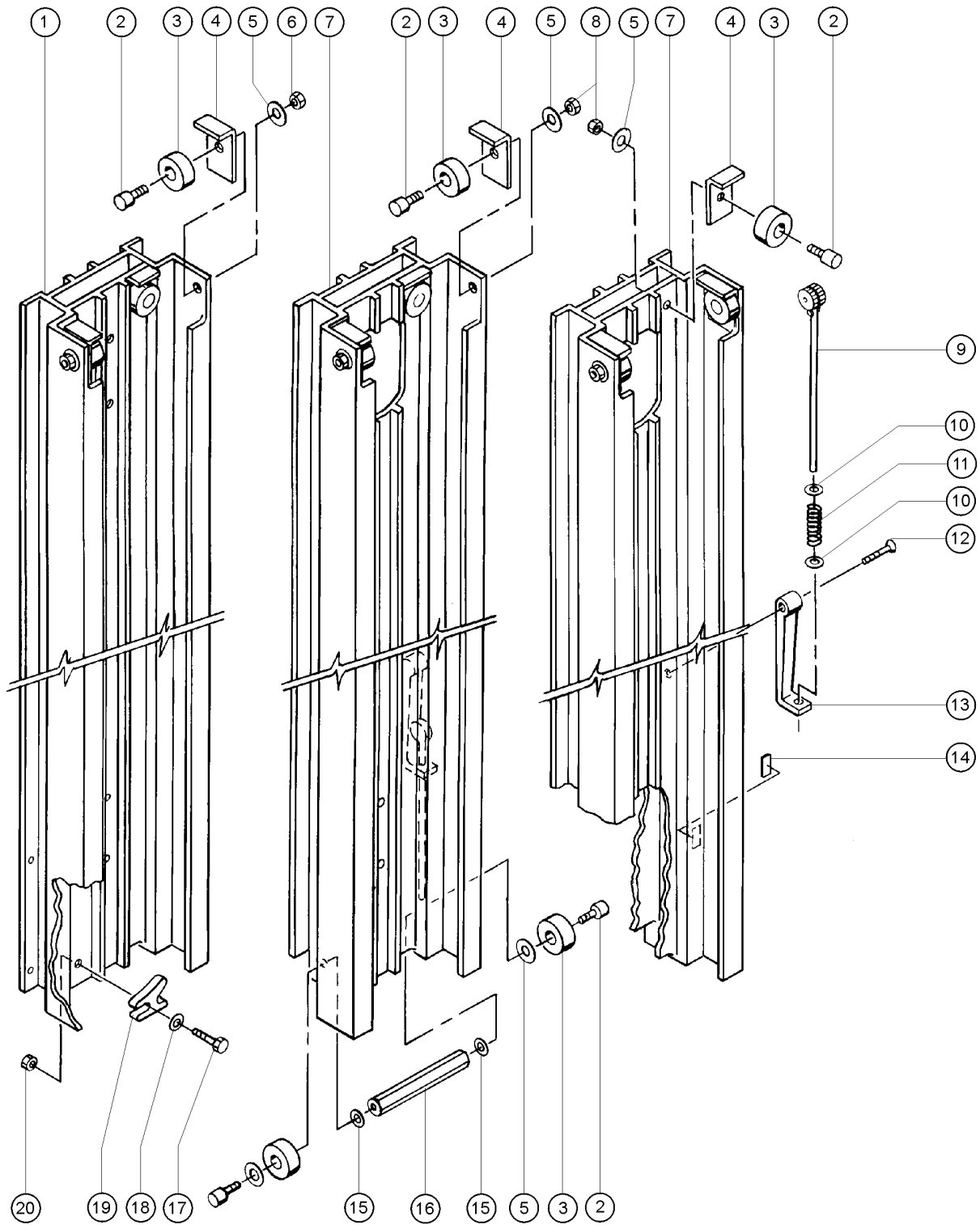
Item	Part No.	Description	Qty.
23-	2238GT	CABLE OVAL SLEEVE, 1/16	
23-	10598GT	SCREW,HHC, 1/2-13 X 3	
23-	40658GT	WASHER,FLAT,RETAINING,,510	
24	6564GT	WASHER, SHIM,.765 X 1.312 X .093	6
25	6086GT	NUT,LP NYLOCK,1/2-13	
26	6587GT	HANDLE GRIP, RUBBER .75 X 4.5	2
27	33385GT	WASHER,PUSH ON .75 SHAFT	2
28	57788GT	WHEEL,POLY,6X2, 3/4**	2
29	33540GT	LOADING WHEEL ASSY ST/SL	1
		(includes items 24 and 26-28)	
29-	33540GT	LOADING WHEEL ASSY ST/SL	
30	124821GT	KIT,CBL GRD,W/WRD DCALS,ST	1
		(Australia models) (assembly with word decals)	
31	109579GT	MAST STIFFENER,RIGHT,GRAY***	1
32	109580GT	MAST STIFFENER,LEFT,GRAY***	1

302.1 Mast Components, View 1



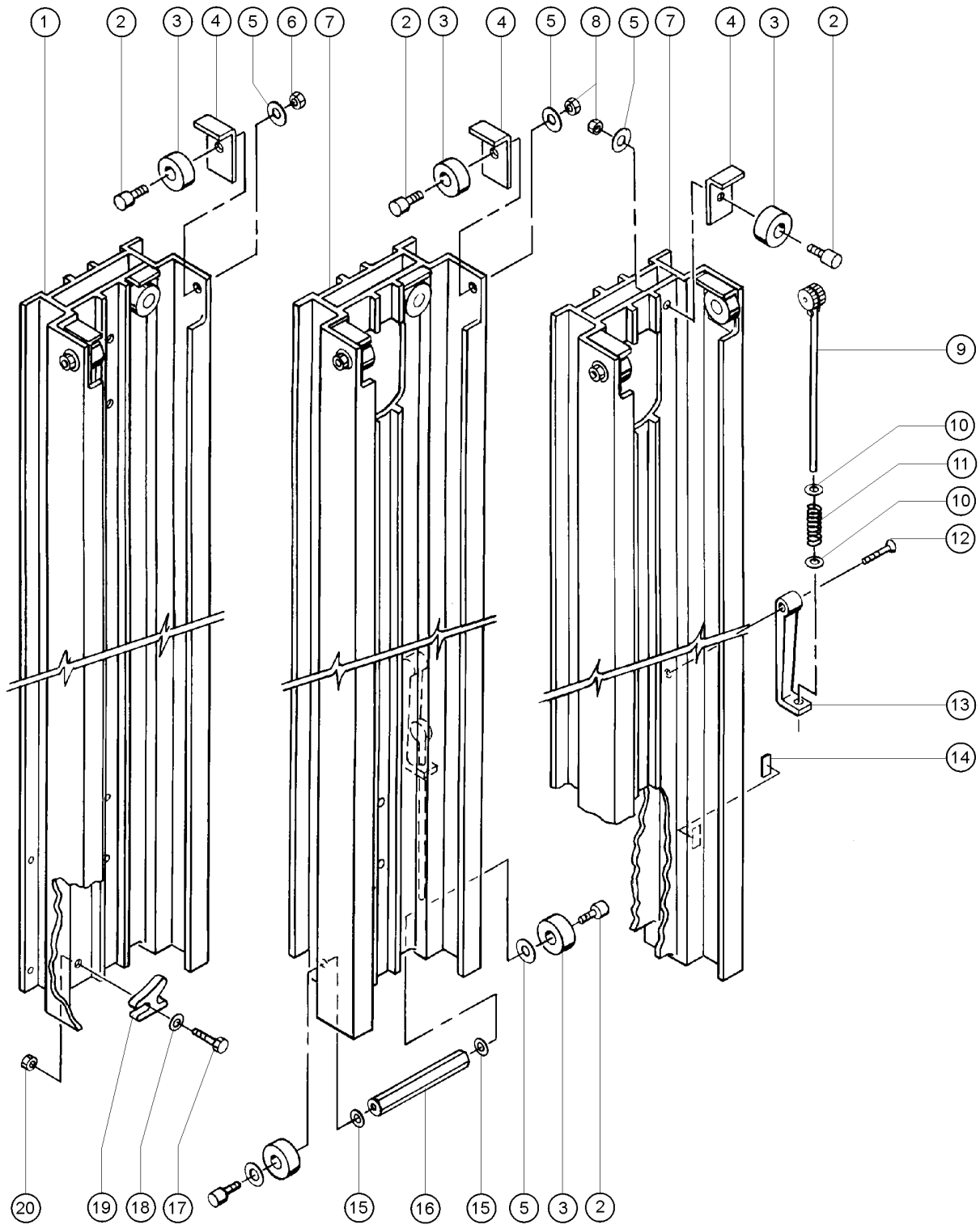
Item	Part No.	Description	Qty.
	1257075GT	NUT, NYLOCK,3/8-16,GR8, ZINC	
	90337GT	BOE LUBE aluminum dry lubricant	1
1	35105GT	COLUMN#1,ST2,ANODIZED-SERVICE* (from SN 7794-101 to SN 7795-336)	1
2	32475GT	BOLT-ROLLER, 1/2-13X1.84 ZINC	15
3	32473GT	WHEEL,ROLLER,NYLATRON,1.75	15
4	32474GT	GUARD,ROLLER, SL2,	11
5	6095GT	WASHER,FLAT,USS, 1/2", Y	
6	6086GT	NUT,LP NYLOCK, 1/2-13	
7	32965GT	COLUMN ASSY,ST,2-5** (from SN 7794-101 to SN 7795-357)	4
8	1257074GT	NUT, NYLOCK, 1/2-13, GR8, ZINC	
9A	35100GT	SAFETY BRAKE ASSY-SLII (OLD)** (to SN 7795-357)	2
9B	35101GT	SAFETY BRAKE ASSY(SQ.NUT)SL2** (from SN 7795-358)	
10	21442GT	SHIM,.75 X.45 X.032	4
11	32481GT	SPRING,SAFETY BRAKE**	2
12	17712GT	SCREW,FHS,3/8-16 X 1.75	
13	35254GT	SAFETY BRAKE RAMP,MACHINED (to SN 7795-357)	2
14		SHIM,SAFETY BRAKE, COLUMN ** (no longer available)	3
15	6052GT	WASHER,SHIM,.5 X .875 X .063	2
16	33811GT	COUPLER BAR ASSEMBLY,SLA&C,ST2 ST-20, ST-25	1
17	6019GT	SCREW,HHC,3/8-16 X 1.25 GRD 5	
18	12013GT	SHIM,.375 X .063	
19	32522GT	DOWN STOP	
20	1257075GT	NUT, NYLOCK,3/8-16,GR8, ZINC	

302.2 Mast Components, View 1



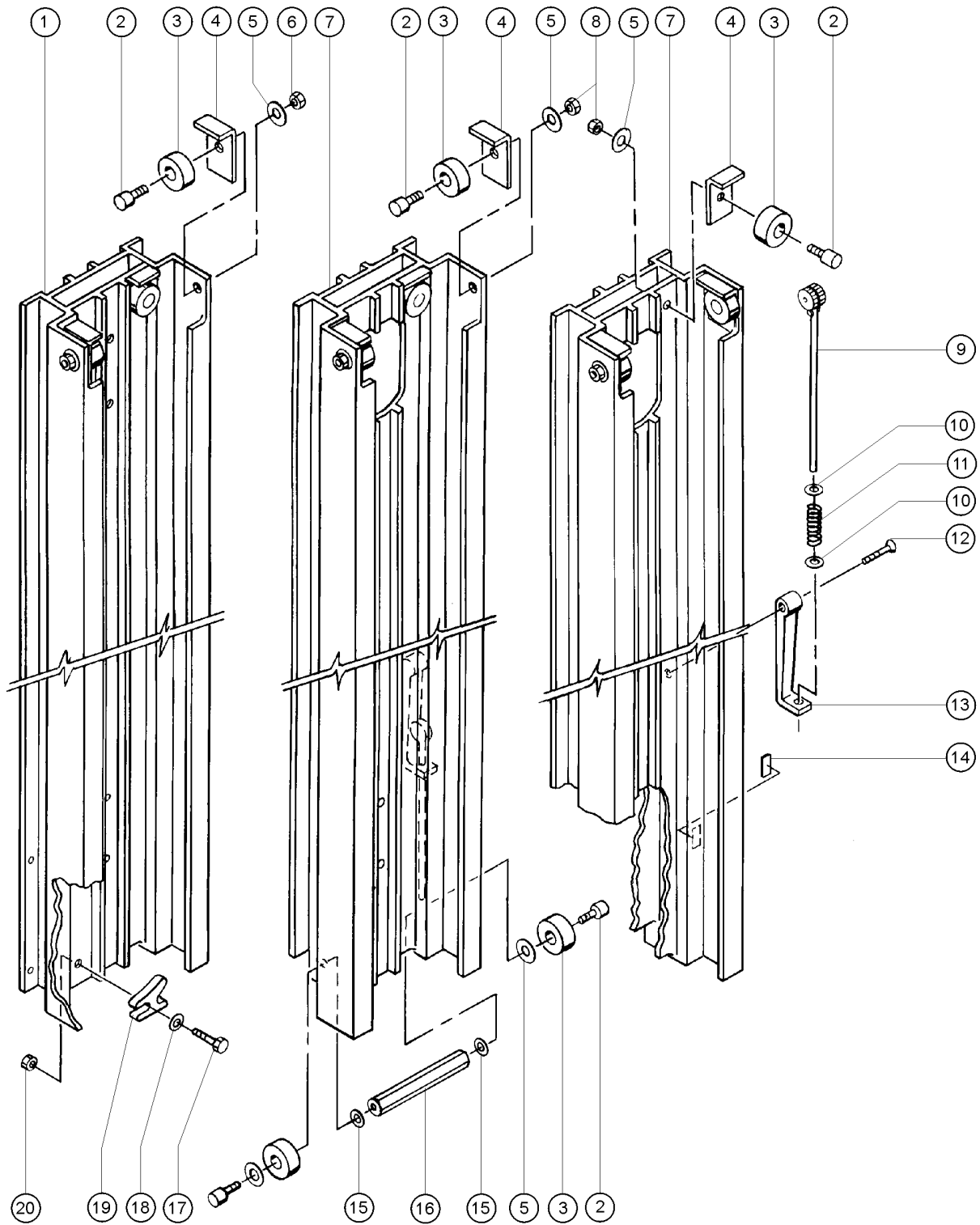
Item	Part No.	Description	Qty.
	90337GT	BOE LUBE aluminum dry lubricant	1
1	35105GT	COLUMN#1,ST2,ANODIZED-SERVICE* (from SN 7794-101 to SN 7795-336)	1
1A	33308GT	COLUMN #1 SLA/ST,MACHINED** (from SN 7795-337 to SN 7798-1523)	1
2	32475GT	BOLT-ROLLER, 1/2-13X1.84 ZINC	15
3	32473GT	WHEEL,ROLLER,NYLATRON,1.75	15
4	32474GT	GUARD,ROLLER, SL2,	11
5	6095GT	WASHER,FLAT,USS, 1/2", Y	
6	6086GT	NUT,LP NYLOCK, 1/2-13	
7	32965GT	COLUMN ASSY,ST,2-5** (from SN 7794-101 to SN 7795-357)	4
7A	35480GT	COLUMN ASSY,ST,2-5** (from SN 7795-358 to SN 7798-1523)	4
8	6198GT	NUT,NYLOCK, 1/2-13	
9	35100GT	SAFETY BRAKE ASSY-SLII (OLD)** (to SN 7795-357)	2
9A	35101GT	SAFETY BRAKE ASSY(SQ.NUT)SL2** (from SN 7795-358)	
10	21442GT	SHIM,.75 X.45 X.032	4
11	32481GT	SPRING,SAFETY BRAKE**	2
12	17712GT	SCREW,FHS,3/8-16 X 1.75	
13	35254GT	SAFETY BRAKE RAMP,MACHINED (to SN 7795-357)	2
13A	35101GT	SAFETY BRAKE ASSY(SQ.NUT)SL2** (from SN 7795-358)	
14		SHIM,SAFETY BRAKE, COLUMN ** (no longer available)	3
15	6052GT	WASHER,SHIM,.5 X .875 X .063	2
16	33811GT	COUPLER BAR ASSEMBLY,SLA&C,ST2 ST-20, ST-25	1
17	6019GT	SCREW,HHC,3/8-16 X 1.25 GRD 5	
18	12013GT	SHIM,.375 X .063	
19	32522GT	DOWN STOP	
20	4828GT	NUT,NYLOCK,3/8-16	

302.3 Mast Components, View 1



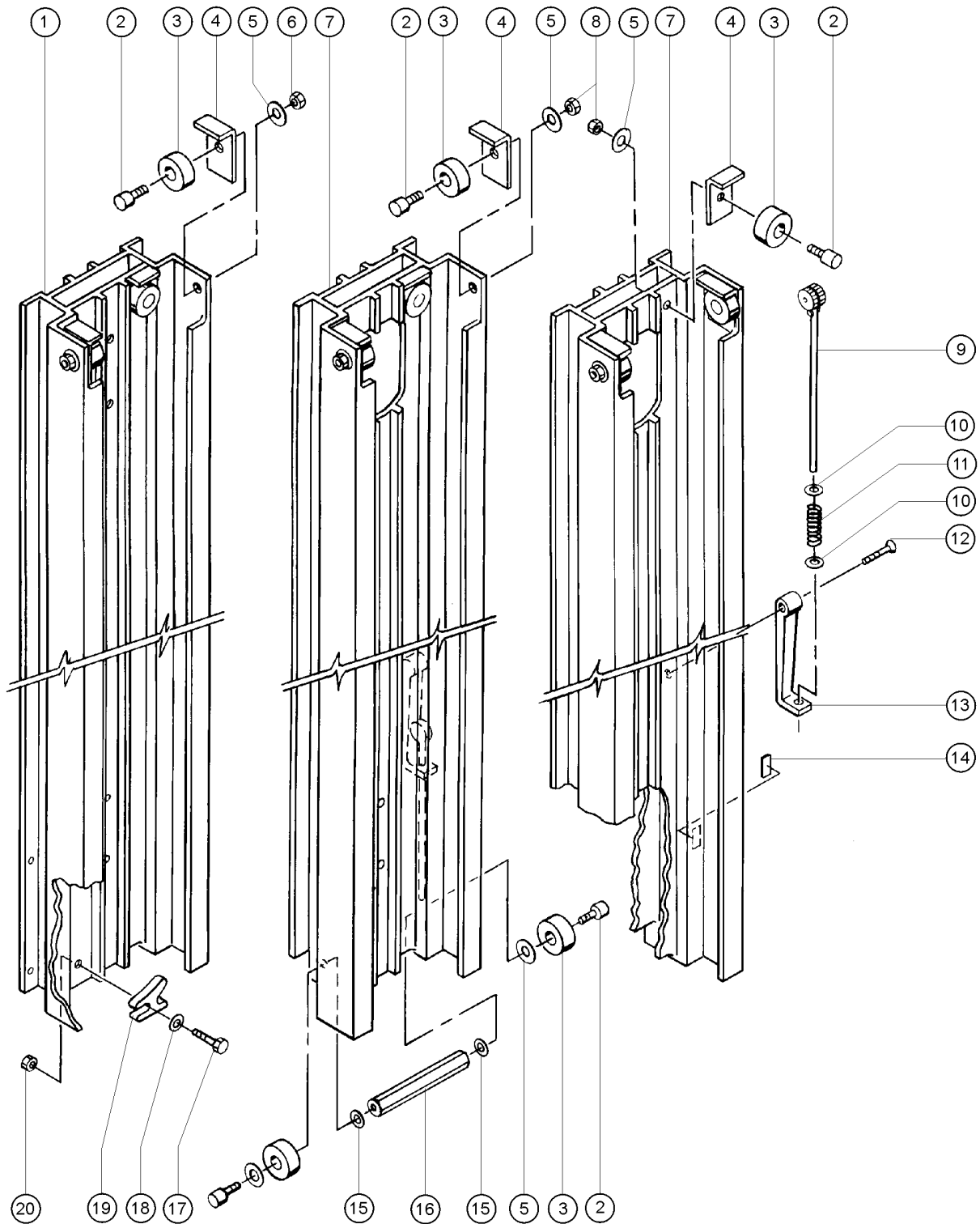
Item	Part No.	Description	Qty.
	90337GT	BOE LUBE aluminum dry lubricant	1
1A	33308GT	COLUMN #1 SLA/ST,MACHINED** (from SN 7795-337 to SN 7798-1523)	1
2	32475GT	BOLT-ROLLER,1/2-13X1.84 ZINC	15
3	32473GT	WHEEL,ROLLER,NYLATRON,1.75	15
4	32474GT	GUARD,ROLLER, SL2,	11
5	6095GT	WASHER,FLAT,USS,1/2",Y	
6	6086GT	NUT,LP NYLOCK,1/2-13	
7A	35480GT	COLUMN ASSY,ST,2-5** (from SN 7795-358 to SN 7798-1523)	4
8	1257074GT	NUT, NYLOCK, 1/2-13, GR8, ZINC	
9A	35101GT	SAFETY BRAKE ASSY(SQ.NUT)SL2** (from SN 7795-358)	
10	21442GT	SHIM,.75 X.45 X.032	4
11	32481GT	SPRING,SAFETY BRAKE**	2
12	17712GT	SCREW,FHS,3/8-16 X 1.75	
13A	35101GT	SAFETY BRAKE ASSY(SQ.NUT)SL2** (from SN 7795-358)	
14		SHIM,SAFETY BRAKE, COLUMN ** (no longer available)	3
15	6052GT	WASHER,SHIM,.5 X .875 X .063	2
16	33811GT	COUPLER BAR ASSEMBLY,SLA&C,ST2 ST-20, ST-25	1
17	6019GT	SCREW,HHC,3/8-16 X 1.25 GRD 5	
18	12013GT	SHIM,.375 X .063	
19	32522GT	DOWN STOP	
20	1257075GT	NUT, NYLOCK,3/8-16,GR8, ZINC	

302.4 Mast Components, View 1



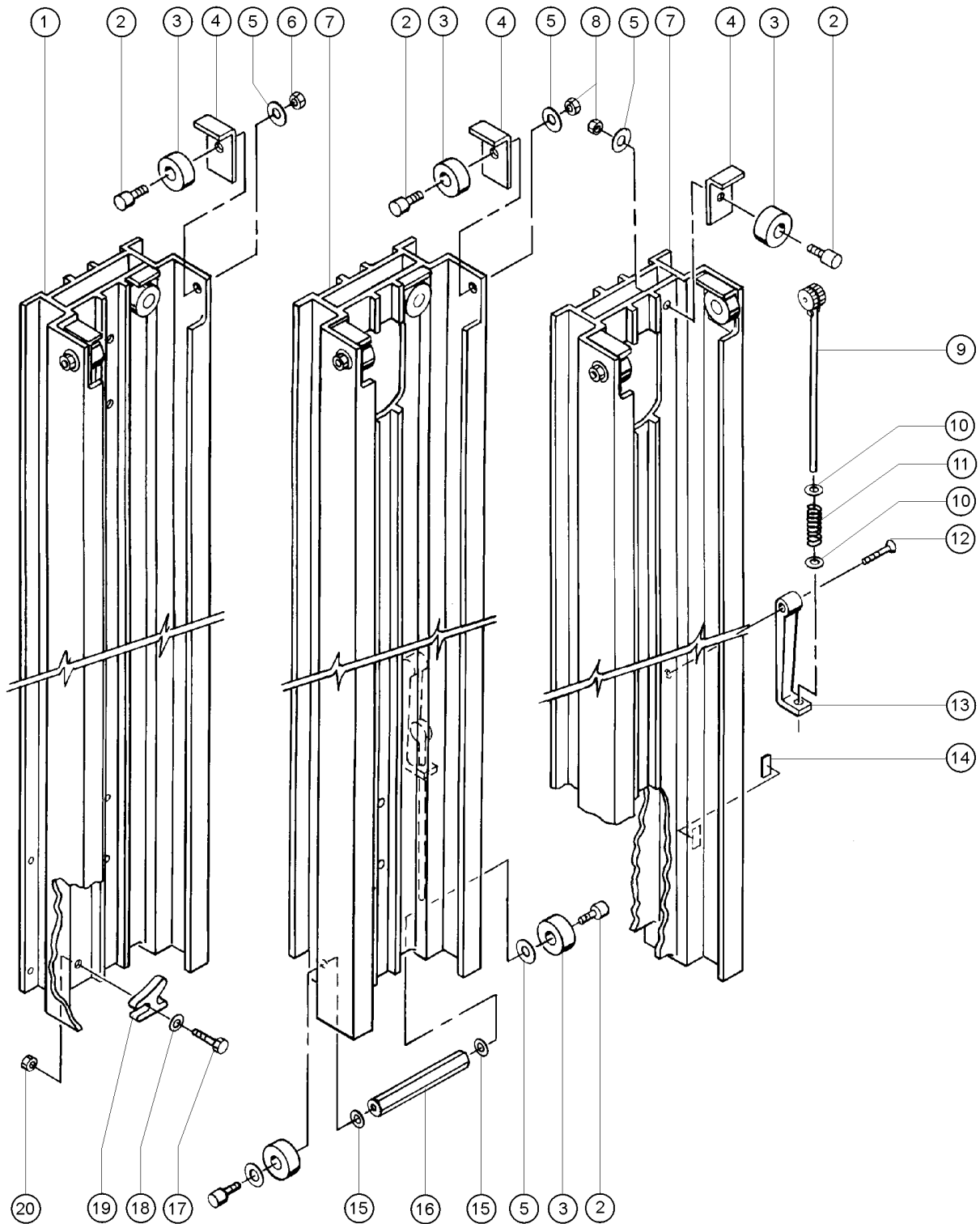
Item	Part No.	Description	Qty.
	90337GT	BOE LUBE aluminum dry lubricant	1
1B	57036-SGT	COLUMN#1,MACHINED,ST,BLK,SERV (from SN 7799-319)	1
2	32475GT	BOLT-ROLLER,1/2-13X1.84 ZINC	15
3	32473GT	WHEEL,ROLLER,NYLATRON,1.75	15
4	32474GT	GUARD,ROLLER, SL2,	11
5	6095GT	WASHER,FLAT,USS,1/2",Y	
6	6086GT	NUT,LP NYLOCK,1/2-13	
7B	57037-SGT	COLUMN#2,MACHINED,ST,BLK,SERV (from SN 7799-319)	4
8	1257074GT	NUT, NYLOCK, 1/2-13, GR8, ZINC	
9A	35101GT	SAFETY BRAKE ASSY(SQ.NUT)SL2** (from SN 7795-358)	
10	21442GT	SHIM,.75 X.45 X.032	4
11	32481GT	SPRING,SAFETY BRAKE**	2
12	17712GT	SCREW,FHS,3/8-16 X 1.75	
13A	35101GT	SAFETY BRAKE ASSY(SQ.NUT)SL2** (from SN 7795-358)	
14		SHIM,SAFETY BRAKE, COLUMN ** (no longer available)	3
15	6052GT	WASHER,SHIM,.5 X .875 X .063	2
16	33811GT	COUPLER BAR ASSEMBLY,SLA&C,ST2 ST-20, ST-25	1
17	6019GT	SCREW,HHC,3/8-16 X 1.25 GRD 5	
18	12013GT	SHIM,.375 X .063	
19	32522GT	DOWN STOP	
20	1257075GT	NUT, NYLOCK,3/8-16,GR8, ZINC	

302.5 Mast Components, View 1



Item	Part No.	Description	Qty.
	90337GT	BOE LUBE aluminum dry lubricant	1
1B	57036-SGT	COLUMN#1,MACHINED,ST,BLK,SERV (from SN 7799-319)	1
2	32475GT	BOLT-ROLLER,1/2-13X1.84 ZINC	15
3	32473GT	WHEEL,ROLLER,NYLATRON,1.75	15
4	32474GT	GUARD,ROLLER, SL2,	11
5	6095GT	WASHER,FLAT,USS,1/2",Y	
6	6086GT	NUT,LP NYLOCK,1/2-13	
7B	57037-SGT	COLUMN#2,MACHINED,ST,BLK,SERV (from SN 7799-319)	4
8	1257074GT	NUT, NYLOCK, 1/2-13, GR8, ZINC	
9A	35101GT	SAFETY BRAKE ASSY(SQ.NUT)SL2** (from SN 7795-358)	
10	21442GT	SHIM,.75 X.45 X.032	4
11	32481GT	SPRING,SAFETY BRAKE**	2
12	17712GT	SCREW,FHS,3/8-16 X 1.75	
13A	35101GT	SAFETY BRAKE ASSY(SQ.NUT)SL2** (from SN 7795-358)	
14		SHIM,SAFETY BRAKE, COLUMN ** (no longer available)	3
15	6052GT	WASHER,SHIM,.5 X .875 X .063	2
16	33811GT	COUPLER BAR ASSEMBLY,SLA&C,ST2 ST-20, ST-25	1
17	6019GT	SCREW,HHC,3/8-16 X 1.25 GRD 5	
18	12013GT	SHIM,.375 X .063	
19	32522GT	DOWN STOP	
20	1257075GT	NUT, NYLOCK,3/8-16,GR8, ZINC	

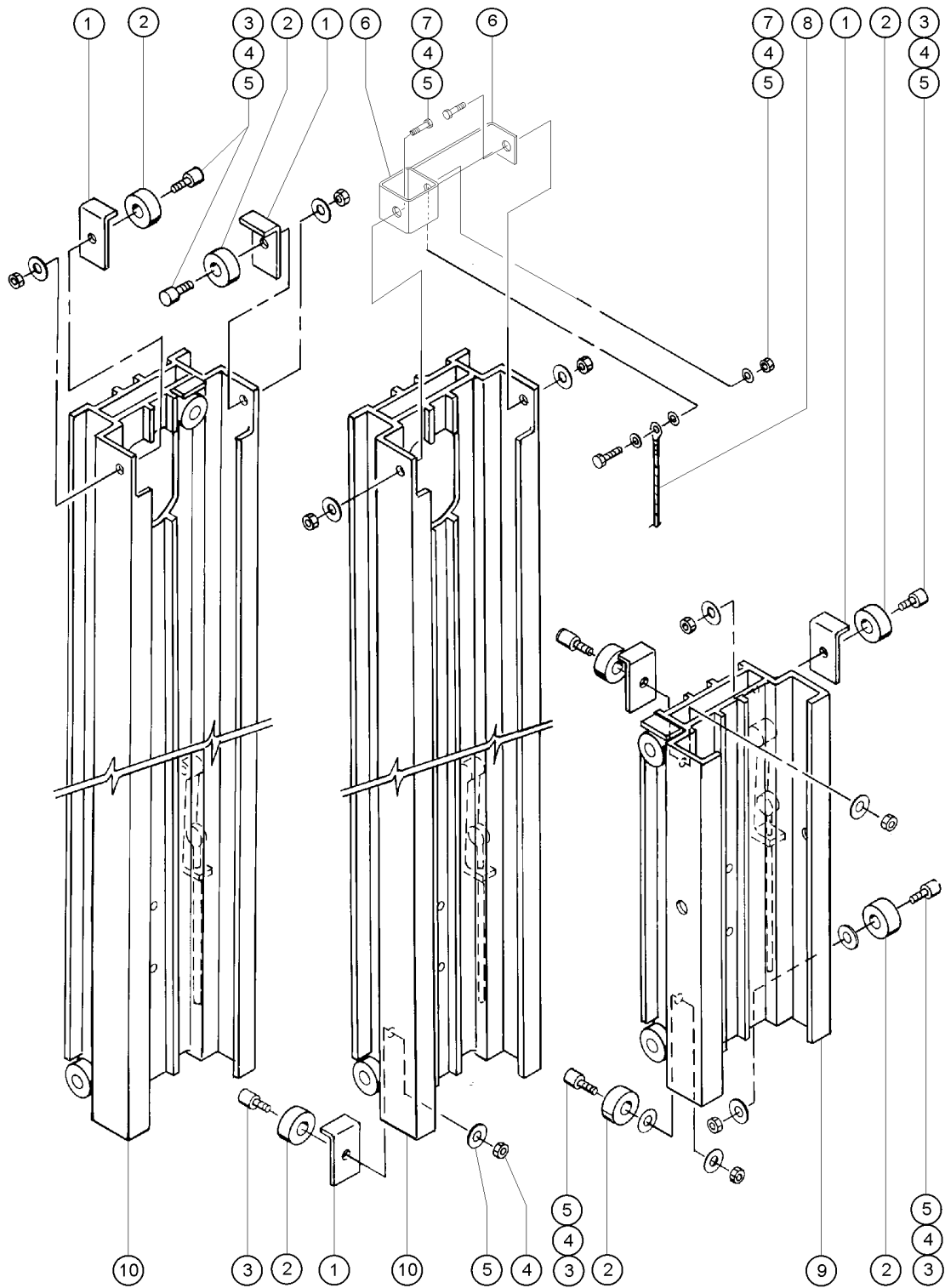
302.6 Mast Components, View 1



Item	Part No.	Description	Qty.
1B	57036-SGT	COLUMN#1,MACHINED,ST,BLK,SERV (from SN 7799-319)	1
2	32475GT	BOLT-ROLLER,1/2-13X1.84 ZINC	15
3	32473GT	WHEEL,ROLLER,NYLATRON,1.75	15
4	32474GT	GUARD,ROLLER, SL2,	11
5	6095GT	WASHER,FLAT,USS,1/2",Y	
6	6086GT	NUT,LP NYLOCK,1/2-13	
7B	57037-SGT	COLUMN#2,MACHINED,ST,BLK,SERV (from SN 7799-319)	4
8	1257074GT	NUT, NYLOCK, 1/2-13, GR8, ZINC	
9A	35101GT	SAFETY BRAKE ASSY(SQ.NUT)SL2** (from SN 7795-358)	
10	21442GT	SHIM,.75 X.45 X.032	4
11	32481GT	SPRING,SAFETY BRAKE**	2
12	17712GT	SCREW,FHS,3/8-16 X 1.75	
13A	35101GT	SAFETY BRAKE ASSY(SQ.NUT)SL2** (from SN 7795-358)	
14		SHIM,SAFETY BRAKE, COLUMN ** (no longer available)	3
15	6052GT	WASHER,SHIM,.5 X .875 X .063	2
16	33811GT	COUPLER BAR ASSEMBLY,SLA&C,ST2 ST-20, ST-25	1
17	6019GT	SCREW,HHC,3/8-16 X 1.25 GRD 5	
18	12013GT	SHIM,.375 X .063	
19	32522GT	DOWN STOP	
20	1257075GT	NUT, NYLOCK,3/8-16,GR8, ZINC	



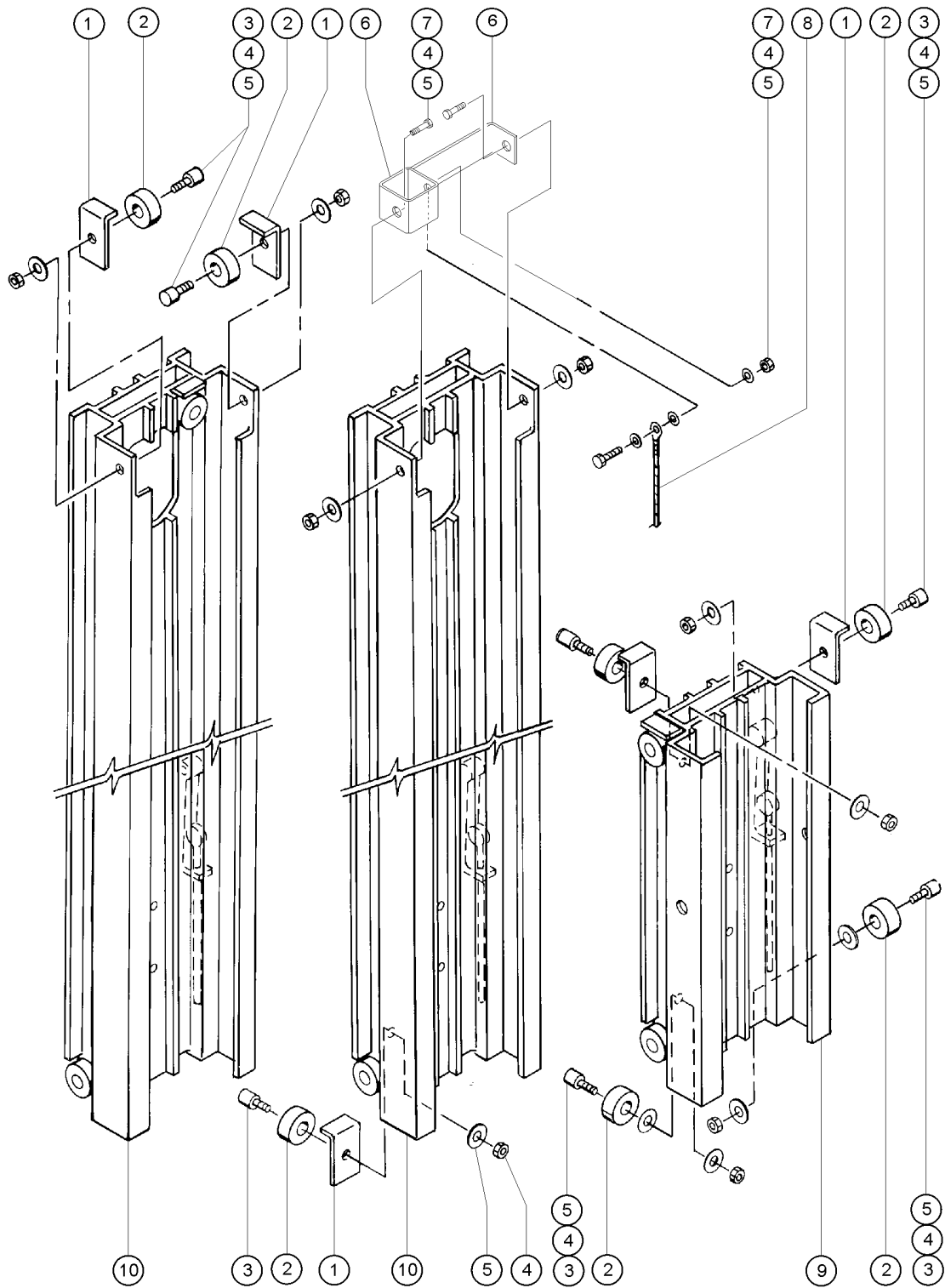
303.1 Mast Components, View 2



Item	Part No.	Description	Qty.
1	32474GT	GUARD,ROLLER, SL2,	8
2	32473GT	WHEEL,ROLLER,NYLATRON,1.75	15
3	32475GT	BOLT-ROLLER,1/2-13X1.84 ZINC	15
4	6095GT	WASHER,FLAT,USS,1/2",Y	
5	1257074GT	NUT, NYLOCK, 1/2-13, GR8, ZINC	
6	80987GT	KIT, CABLE ANCHOR BRK, SLC/ST* (gray is the service replacement color)	2
7	10587GT	SCREW,HHC,1/2-13 X.75	
8	32904GT	CABLE ASSY,SL/ST20 669" 7/32" ST-20 (does not include cable replacement coupler)	
8A	32905GT	CABLE ASSY,SL/ST25 813" 7/32"* ST-25 (does not include cable replacement coupler)	
8A-	12402GT	CABLE REPLACEMENT COUPLER	
		(sold separately)	
8A-	52701GT	VIDEO,NTSC,SLA,CABLING PROCDR	
		(sold separately)	
9	32966GT	CARRIAGE ASSY,ST 20/25** (from SN 7794-101 to 7795-357)	1
10		Ref. COLUMN, MACHINED,ST,BLK ANODI	
		(refer to 302.1)	



303.2 Mast Components, View 2

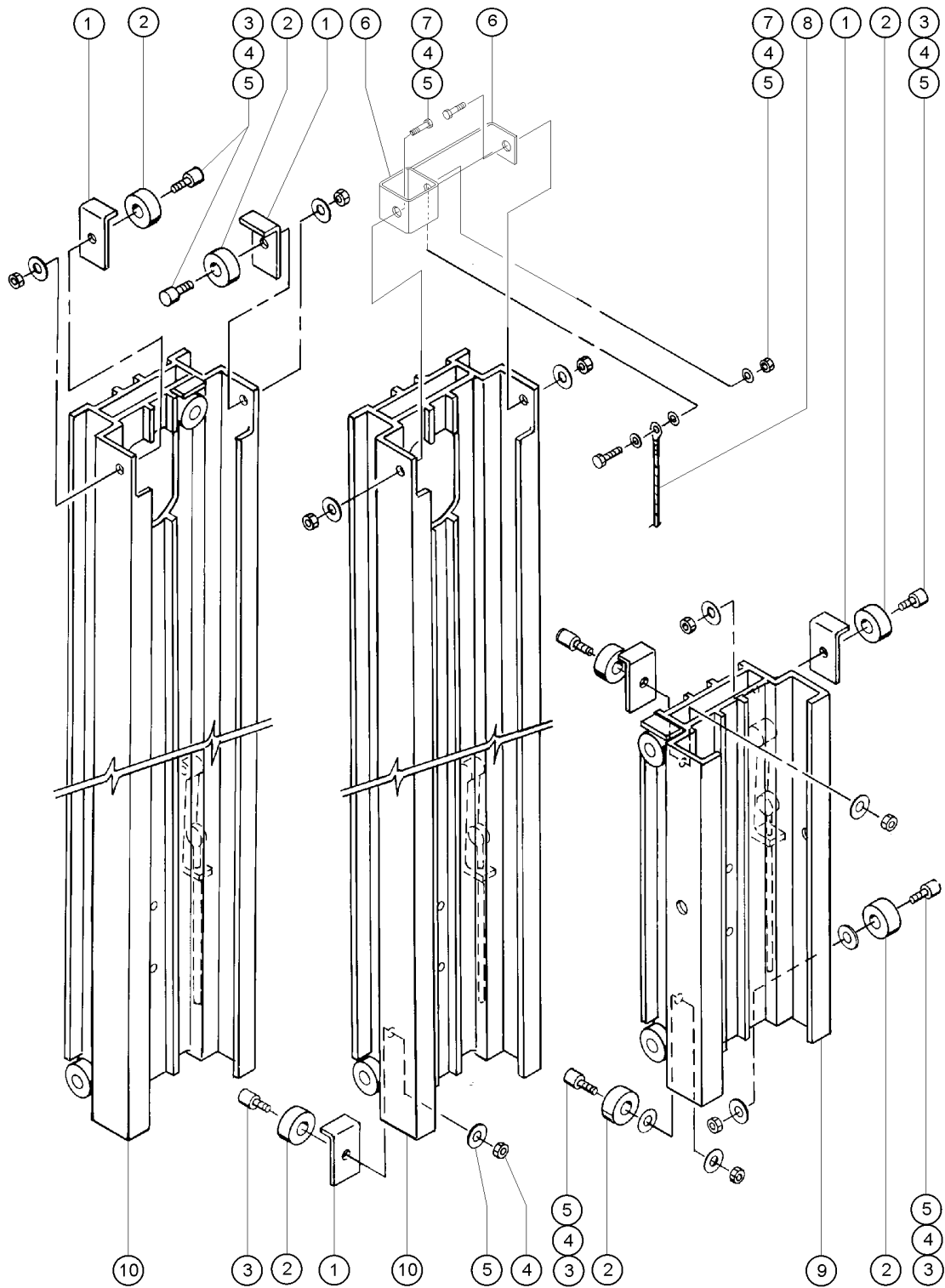


Item	Part No.	Description	Qty.
1	32474GT	GUARD,ROLLER, SL2,	8
2	32473GT	WHEEL,ROLLER,NYLATRON,1.75	15
3	32475GT	BOLT-ROLLER,1/2-13X1.84 ZINC	15
4	6095GT	WASHER,FLAT,USS,1/2",Y	
5	6198GT	NUT,NYLOCK,1/2-13	
6	80987GT	KIT, CABLE ANCHOR BRK, SLC/ST* (gray is the service replacement color)	2
7	10587GT	SCREW,HHC,1/2-13 X.75	
8	32904GT	CABLE ASSY,SL/ST20 669" 7/32" ST-20 (does not include cable replacement coupler)	
8A	32905GT	CABLE ASSY,SL/ST25 813" 7/32** ST-25 (does not include cable replacement coupler)	
8A-	12402GT	CABLE REPLACEMENT COUPLER	
		(sold separately)	
8A-	52701GT	VIDEO,NTSC,SLA,CABLING PROCDR	
		(sold separately)	
9	32966GT	CARRIAGE ASSY,ST 20/25**	1
		(from SN 7794-101 to 7795-357)	
9A	35484GT	CARRIAGE ASSY- ST2**	1
		(from SN 7795-358 to 7798-1523)	
10		Ref. COLUMN, MACHINED,ST,BLK ANODI	
		(refer to 302.1)	



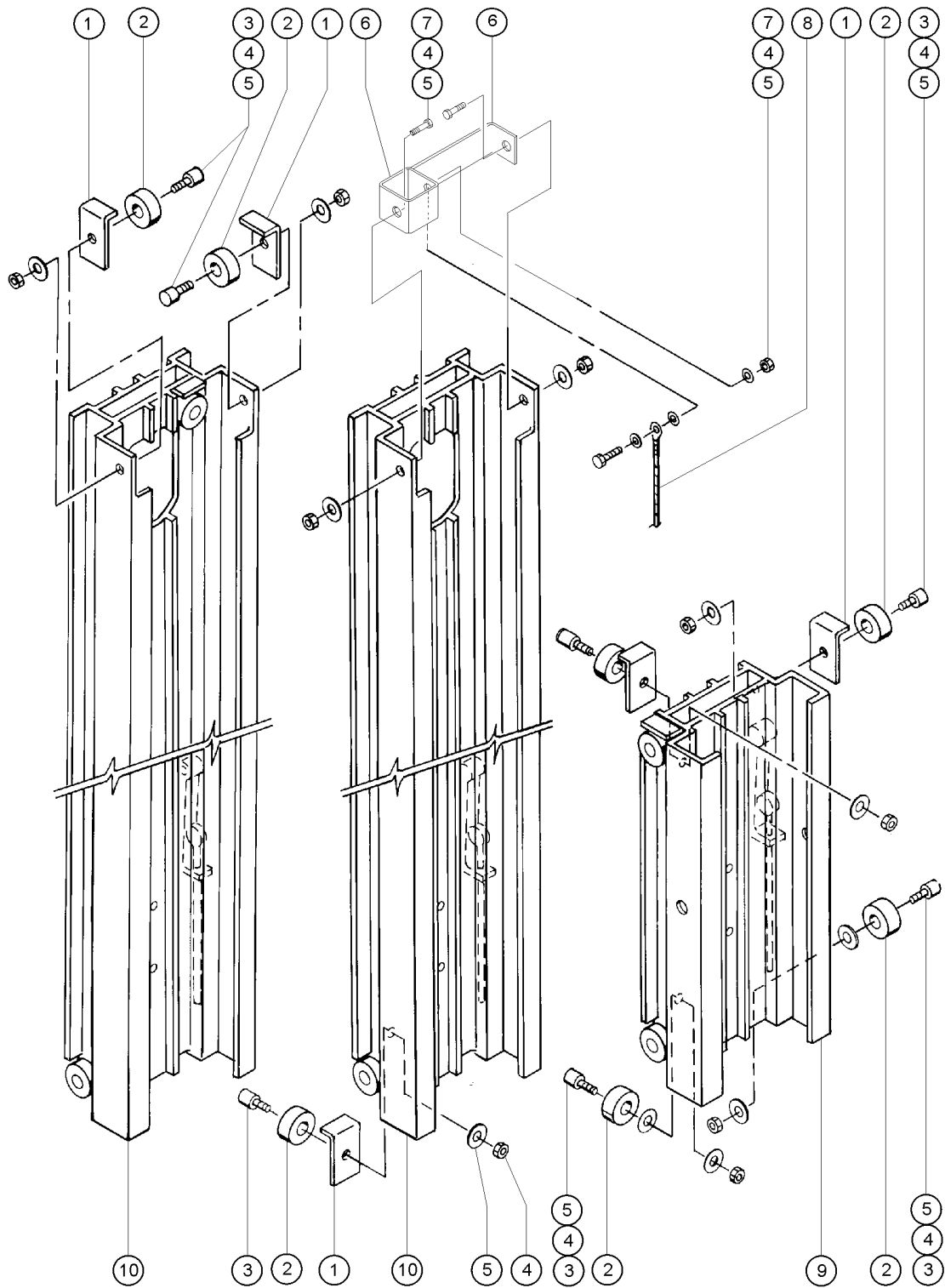
A TORON BRAND

303.3 Mast Components, View 2



Item	Part No.	Description	Qty.
1	32474GT	GUARD,ROLLER, SL2,	8
2	32473GT	WHEEL,ROLLER,NYLATRON,1.75	15
3	32475GT	BOLT-ROLLER,1/2-13X1.84 ZINC	15
4	6095GT	WASHER,FLAT,USS,1/2",Y	
5	1257074GT	NUT, NYLOCK, 1/2-13, GR8, ZINC	
6	80987GT	KIT, CABLE ANCHOR BRK, SLC/ST* (gray is the service replacement color)	2
7	10587GT	SCREW,HHC,1/2-13 X.75	
8	32904GT	CABLE ASSY,SL/ST20 669" 7/32" ST-20 (does not include cable replacement coupler)	
8A	32905GT	CABLE ASSY,SL/ST25 813" 7/32"* ST-25 (does not include cable replacement coupler)	
8A-	12402GT	CABLE REPLACEMENT COUPLER	
		(sold separately)	
8A-	52701GT	VIDEO,NTSC,SLA,CABLING PROCDR	
		(sold separately)	
9A	35484GT	CARRIAGE ASSY- ST2** (from SN 7795-358 to 7798-1523)	1
10		Ref. COLUMN, MACHINED,ST,BLK ANODI	
		(refer to 302.1)	

303.4 Mast Components, View 2

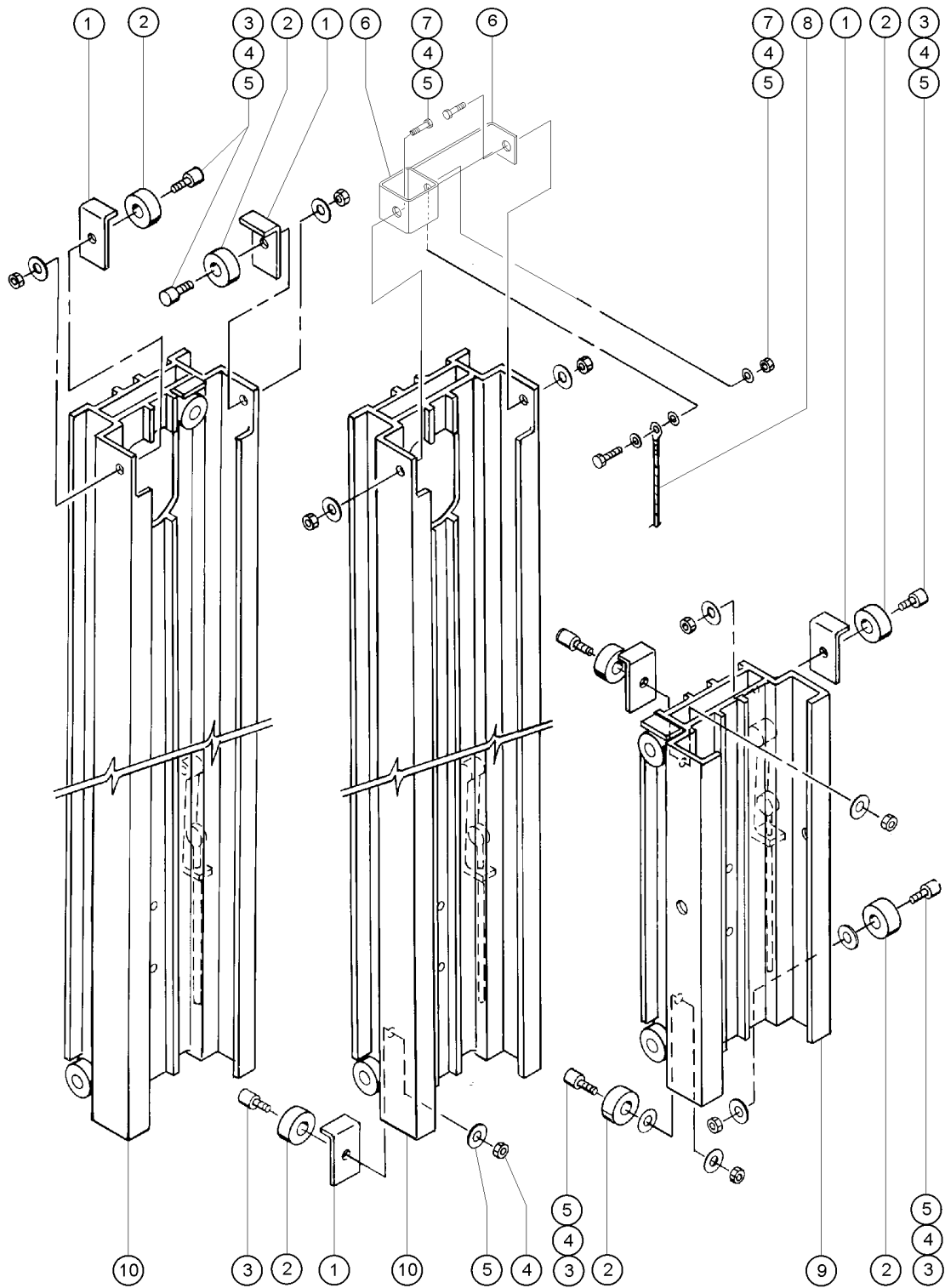


Item	Part No.	Description	Qty.
1	32474GT	GUARD,ROLLER, SL2,	8
2	32473GT	WHEEL,ROLLER,NYLATRON,1.75	15
3	32475GT	BOLT-ROLLER,1/2-13X1.84 ZINC	15
4	6095GT	WASHER,FLAT,USS,1/2",Y	
5	1257074GT	NUT, NYLOCK, 1/2-13, GR8, ZINC	
6	80987GT	KIT, CABLE ANCHOR BRK, SLC/ST* (gray is the service replacement color)	2
7	10587GT	SCREW,HHC,1/2-13 X.75	
8	32904GT	CABLE ASSY,SL/ST20 669" 7/32" ST-20 (does not include cable replacement coupler)	
8A	32905GT	CABLE ASSY,SL/ST25 813" 7/32"* ST-25 (does not include cable replacement coupler)	
8A-	12402GT	CABLE REPLACEMENT COUPLER	
		(sold separately)	
8A-	52701GT	VIDEO,NTSC,SLA,CABLING PROCDR	
		(sold separately)	
9B	57035GT	CARRIAGE,SL ADVANTAGE(20,25)	1
		(from SN 7799-319)	
10		Ref. COLUMN, MACHINED,ST,BLK ANODI	
		(refer to 302.1)	



A TORON BRAND

303.5 Mast Components, View 2

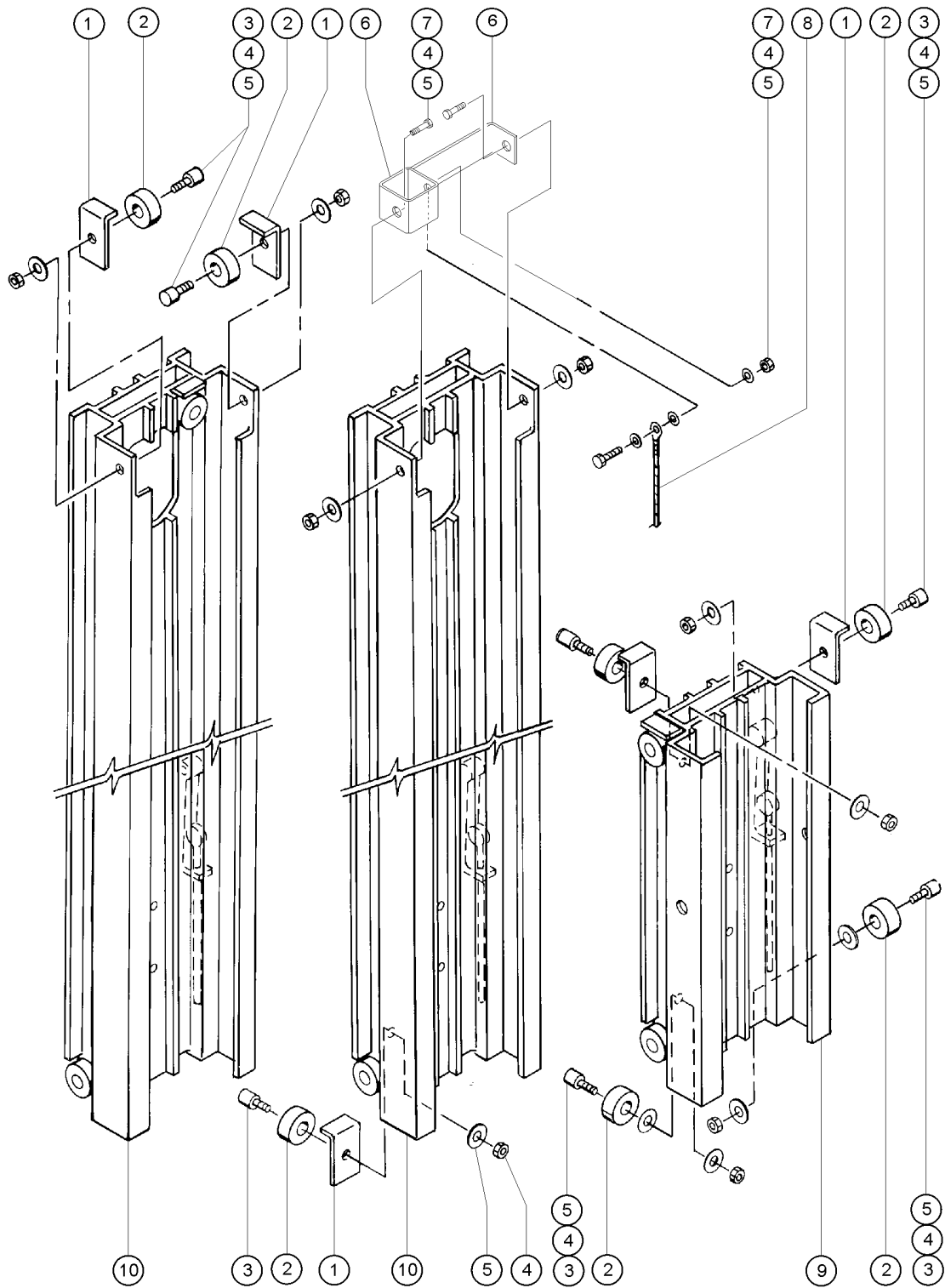


Item	Part No.	Description	Qty.
1	32474GT	GUARD,ROLLER, SL2,	8
2	32473GT	WHEEL,ROLLER,NYLATRON,1.75	15
3	32475GT	BOLT-ROLLER,1/2-13X1.84 ZINC	15
4	6095GT	WASHER,FLAT,USS,1/2",Y	
5	1257074GT	NUT, NYLOCK, 1/2-13, GR8, ZINC	
6	80987GT	KIT, CABLE ANCHOR BRK, SLC/ST* (gray is the service replacement color)	2
7	10587GT	SCREW,HHC,1/2-13 X.75	
8	32904GT	CABLE ASSY,SL/ST20 669" 7/32" ST-20 (does not include cable replacement coupler)	
8A	32905GT	CABLE ASSY,SL/ST25 813" 7/32"* ST-25 (does not include cable replacement coupler)	
8A-	12402GT	CABLE REPLACEMENT COUPLER	
		(sold separately)	
8A-	52701GT	VIDEO,NTSC,SLA,CABLING PROCDR	
		(sold separately)	
9B	57035GT	CARRIAGE,SL ADVANTAGE(20,25)	1
		(from SN 7799-319)	
10		Ref. COLUMN, MACHINED,ST,BLK ANODI	
		(refer to 302.1)	



A TORON BRAND

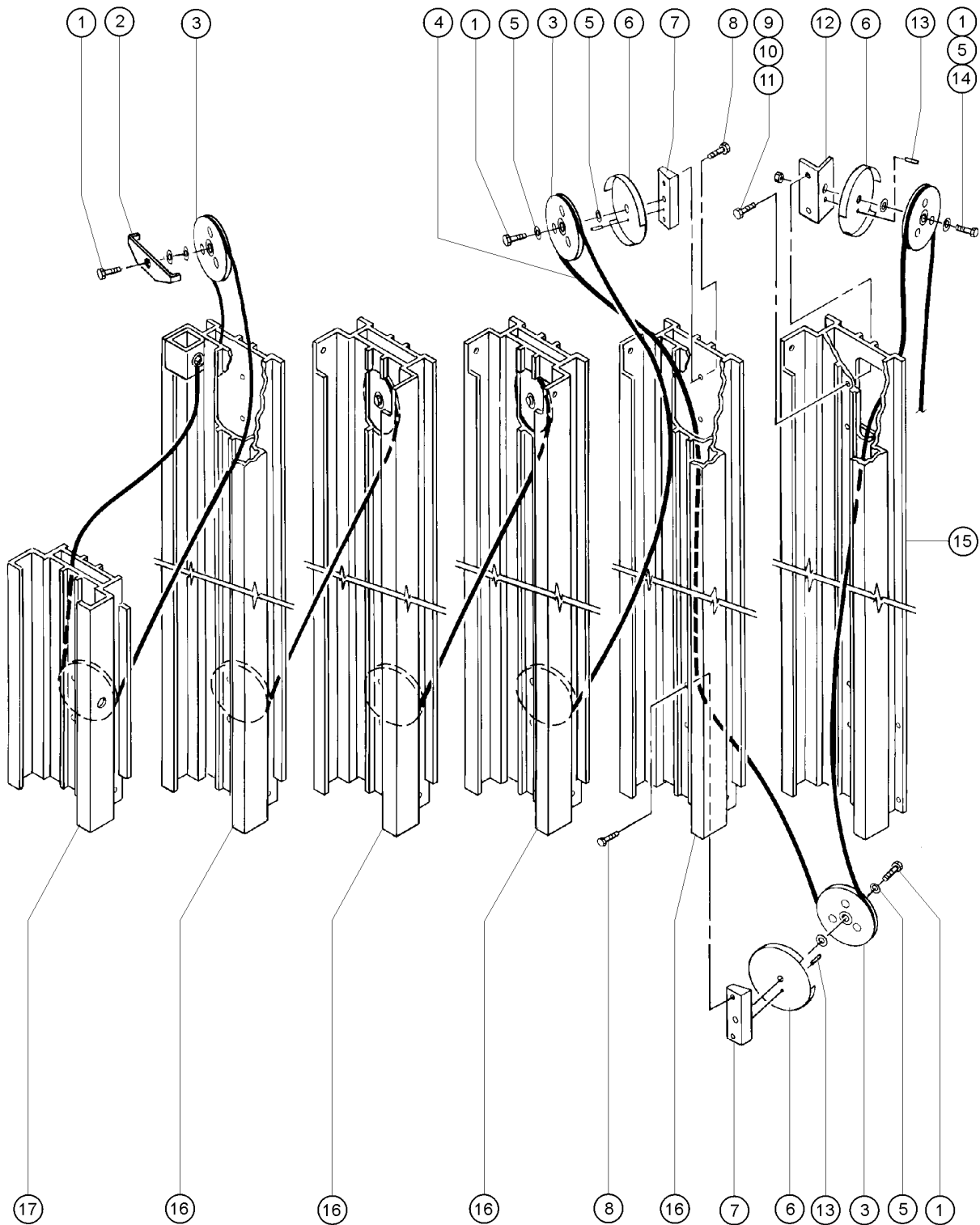
303.6 Mast Components, View 2



Item	Part No.	Description	Qty.
1	32474GT	GUARD,ROLLER, SL2,	8
2	32473GT	WHEEL,ROLLER,NYLATRON,1.75	15
3	32475GT	BOLT-ROLLER,1/2-13X1.84 ZINC	15
4	6095GT	WASHER,FLAT,USS,1/2",Y	
5	1257074GT	NUT, NYLOCK, 1/2-13, GR8, ZINC	
6	80987GT	KIT, CABLE ANCHOR BRK, SLC/ST* (gray is the service replacement color)	2
7	10587GT	SCREW,HHC,1/2-13 X.75	
8	32904GT	CABLE ASSY,SL/ST20 669" 7/32" ST-20 (does not include cable replacement coupler)	1
8A	32905GT	CABLE ASSY,SL/ST25 813" 7/32"* ST-25 (does not include cable replacement coupler)	
8A-	12402GT	CABLE REPLACEMENT COUPLER	
		(sold separately)	
8A-	52701GT	VIDEO,NTSC,SLA,CABLING PROCDR	
		(sold separately)	
9B	57035GT	CARRIAGE,SL ADVANTAGE(20,25)	1
		(from SN 7799-319)	
10		Ref. COLUMN, MACHINED,ST,BLK ANODI	
		(refer to 302.1)	



304.1 Mast Components, Pulleys and Cables (to SN ST15-4740)



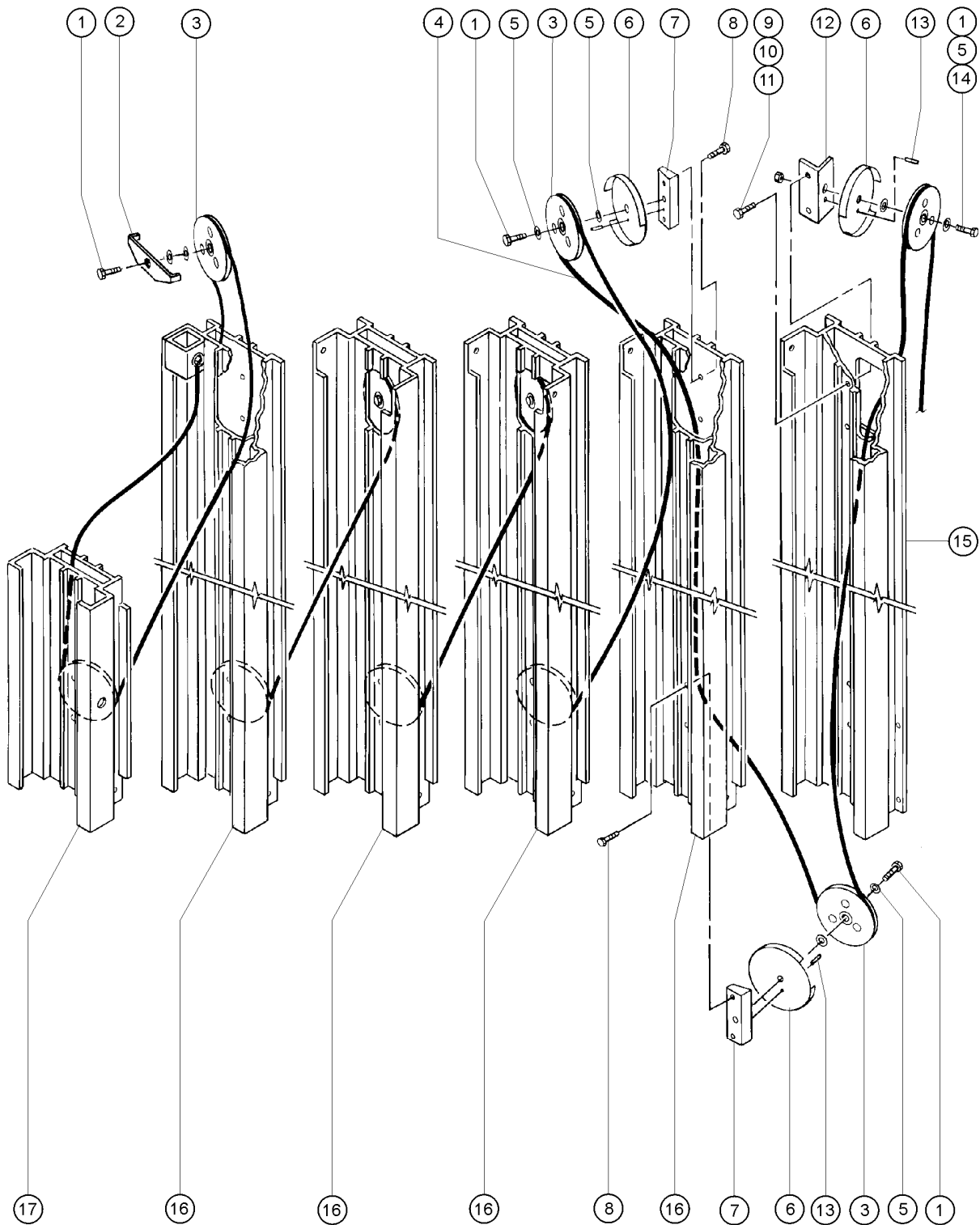
304.1 Mast Components, Pulleys and Cables (to SN ST15-4740)

Item	Part No.	Description	Qty.
1	10597GT	SCREW,HHC,1/2-13 X 1.25 GR5	
2	33420GT	GUARD,CABLE	1
3	32469GT	PULLEY W/BEARING,ALUMINUM*** replaced 49999 plastic pulley	10
4	32904GT	CABLE ASSY,SL/ST20 669" 7/32" (refer to 303.1) (does not include cable replacement coupler)	
4A	32905GT	CABLE ASSY,SL/ST25 813" 7/32"* (does not include cable replacement coupler)	
4A-	12402GT	CABLE REPLACEMENT COUPLER	
4A-	52701GT	VIDEO,NTSC,SLA,CABLING PROCDR	
5	6052GT	WASHER,SHIM,.5 X .875 X .063	20
6	32476GT	GUARD,CABLE*** (to SN ST02-1868)	10
7	32470GT	PULLEY MOUNT , SL-2	9
8	8255GT	SCREW,HHC,3/8-16 X .75	
9	6019GT	SCREW,HHC,3/8-16 X 1.25 GRD 5	
10	6097GT	WASHER,FLAT,USS,3/8",Y	
11	4828GT	NUT,NYLOCK,3/8-16	
12	33700GT	PULLEY MOUNT,#1 COLUMN,GRY,SLC	1
13	32483GT	PIN,ROLL,.25 X .50	10
14	6086GT	NUT,LP NYLOCK,1/2-13	
15A	35105GT	COLUMN#1,ST2,ANODIZED-SERVICE* (from SN 7794-101 to 7795-336)	1
16A	32965GT	COLUMN ASSY,ST,2-5** (from SN 7794-101 to 7795-357)	2
17A	32966GT	CARRIAGE ASSY,ST 20/25** (from SN 7794-101 to 7795-357)	1



A TORON BRAND

304.2 Mast Components, Pulleys and Cables (to SN ST15-4740)

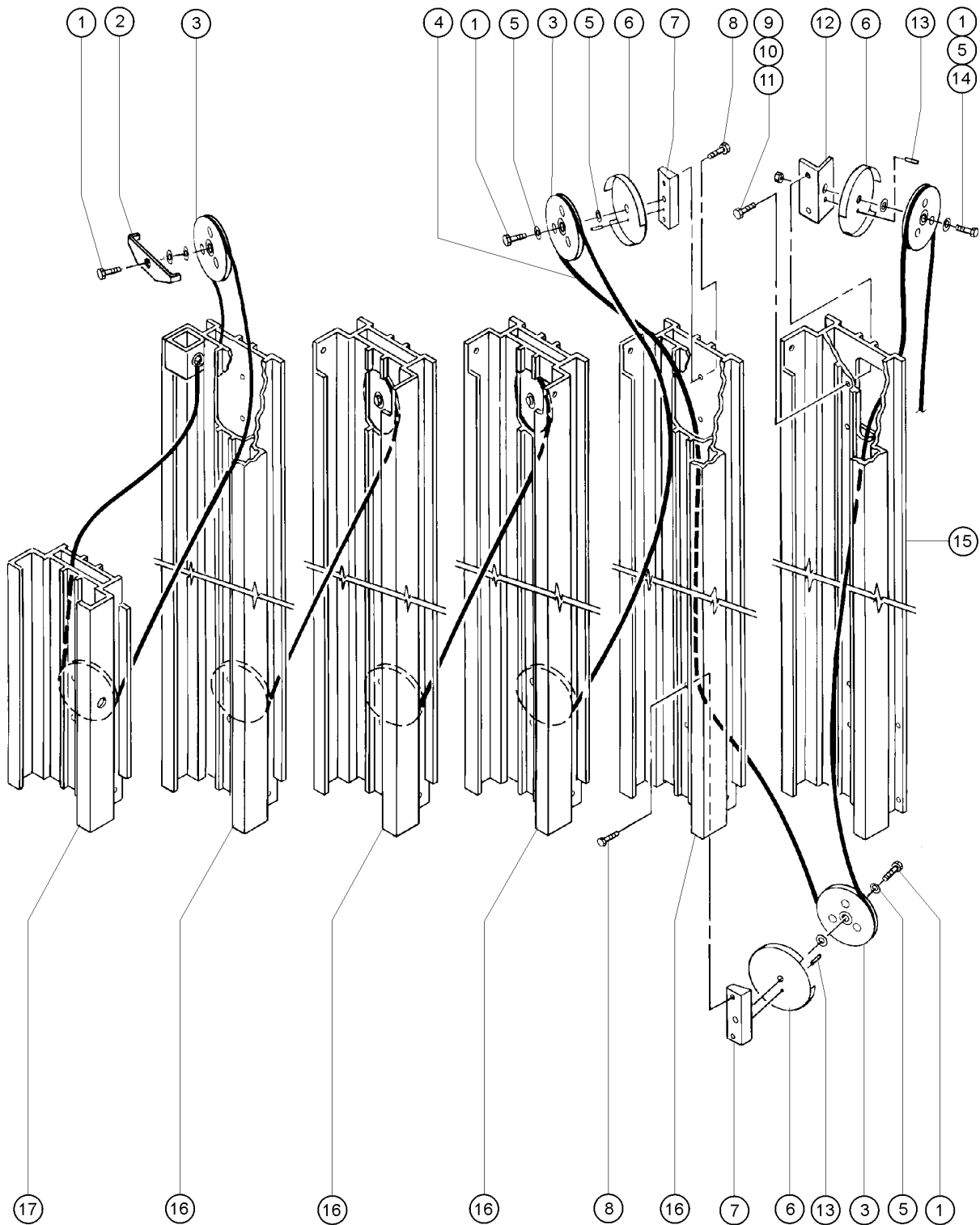


304.2 Mast Components, Pulleys and Cables (to SN ST15-4740)

Item	Part No.	Description	Qty.
1	10597GT	SCREW,HHC,1/2-13 X 1.25 GR5	
2	33420GT	GUARD,CABLE	1
3	32469GT	PULLEY W/BEARING,ALUMINUM*** replaced 49999 plastic pulley	10
4	32904GT	CABLE ASSY,SL/ST20 669" 7/32" (refer to 303.1) (does not include cable replacement coupler)	
4A	32905GT	CABLE ASSY,SL/ST25 813" 7/32"* (does not include cable replacement coupler)	
4A-	12402GT	CABLE REPLACEMENT COUPLER	
4A-	52701GT	VIDEO,NTSC,SLA,CABLING PROCDR	
5	6052GT	WASHER,SHIM,.5 X .875 X .063	20
6	32476GT	GUARD,CABLE*** (to SN ST02-1868)	10
7	32470GT	PULLEY MOUNT , SL-2	9
8	8255GT	SCREW,HHC,3/8-16 X .75	
9	6019GT	SCREW,HHC,3/8-16 X 1.25 GRD 5	
10	6097GT	WASHER,FLAT,USS,3/8",Y	
11	4828GT	NUT,NYLOCK,3/8-16	
12	33700GT	PULLEY MOUNT,#1 COLUMN,GRY,SLC	1
13	32483GT	PIN,ROLL,.25 X .50	10
14	6086GT	NUT,LP NYLOCK,1/2-13	
15A	35105GT	COLUMN#1,ST2,ANODIZED-SERVICE* (from SN 7794-101 to 7795-336)	1
15B	33308GT	COLUMN #1 SLA/ST,MACHINED** (from SN 7795-337 to 7798-1523)	
16A	32965GT	COLUMN ASSY,ST,2-5** (from SN 7794-101 to 7795-357)	2
16B	35480GT	COLUMN ASSY,ST,2-5** (from SN 7795-358 to 7798-1523)	
17A	32966GT	CARRIAGE ASSY,ST 20/25** (from SN 7794-101 to 7795-357)	
17B	35484GT	CARRIAGE ASSY- ST2** (from SN 7795-358 to 7798-1523)	



304.3 Mast Components, Pulleys and Cables (to SN ST15-4740)

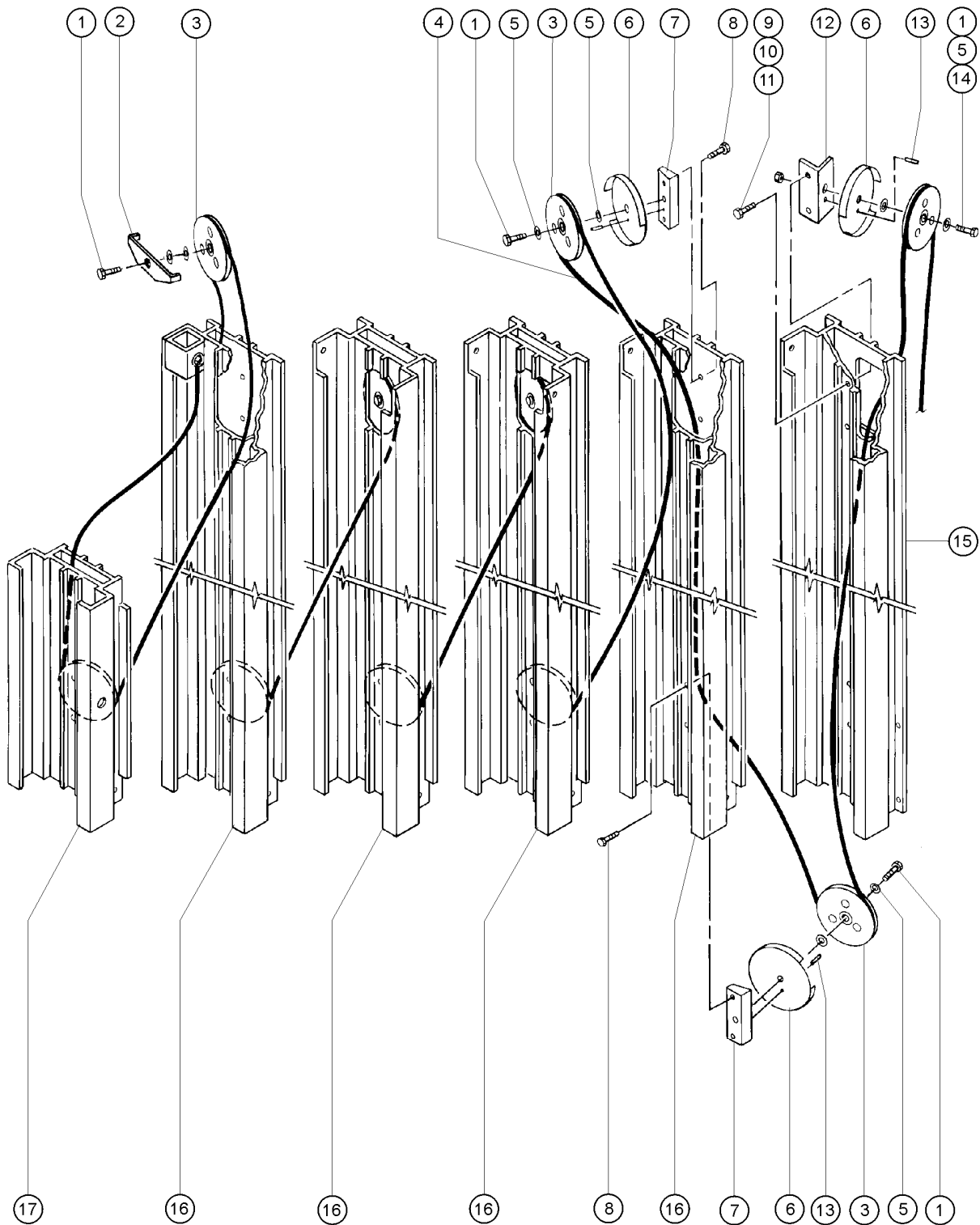


304.3 Mast Components, Pulleys and Cables (to SN ST15-4740)

Item	Part No.	Description	Qty.
1	10597GT	SCREW,HHC,1/2-13 X 1.25 GR5	
2	33420GT	GUARD,CABLE	1
3	32469GT	PULLEY W/BEARING,ALUMINUM*** replaced 49999 plastic pulley	10
4	32904GT	CABLE ASSY,SL/ST20 669" 7/32" (refer to 303.1) (does not include cable replacement coupler)	
4A	32905GT	CABLE ASSY,SL/ST25 813" 7/32"* (does not include cable replacement coupler)	
4A-	12402GT	CABLE REPLACEMENT COUPLER	
4A-	52701GT	VIDEO,NTSC,SLA,CABLING PROCDR	
5	6052GT	WASHER,SHIM,.5 X .875 X .063	20
6	32476GT	GUARD,CABLE*** (to SN ST02-1868)	10
7	32470GT	PULLEY MOUNT , SL-2	9
8	8255GT	SCREW,HHC,3/8-16 X .75	
9	6019GT	SCREW,HHC,3/8-16 X 1.25 GRD 5	
10	6097GT	WASHER,FLAT,USS,3/8",Y	
11	4828GT	NUT,NYLOCK,3/8-16	
12	33700GT	PULLEY MOUNT,#1 COLUMN,GRY,SLC	1
13	32483GT	PIN,ROLL,.25 X .50	10
14	6086GT	NUT,LP NYLOCK,1/2-13	
15B	33308GT	COLUMN #1 SLA/ST,MACHINED** (from SN 7795-337 to 7798-1523)	
16B	35480GT	COLUMN ASSY,ST,2-5** (from SN 7795-358 to 7798-1523)	
17B	35484GT	CARRIAGE ASSY- ST2** (from SN 7795-358 to 7798-1523)	



304.4 Mast Components, Pulleys and Cables (to SN ST15-4740)



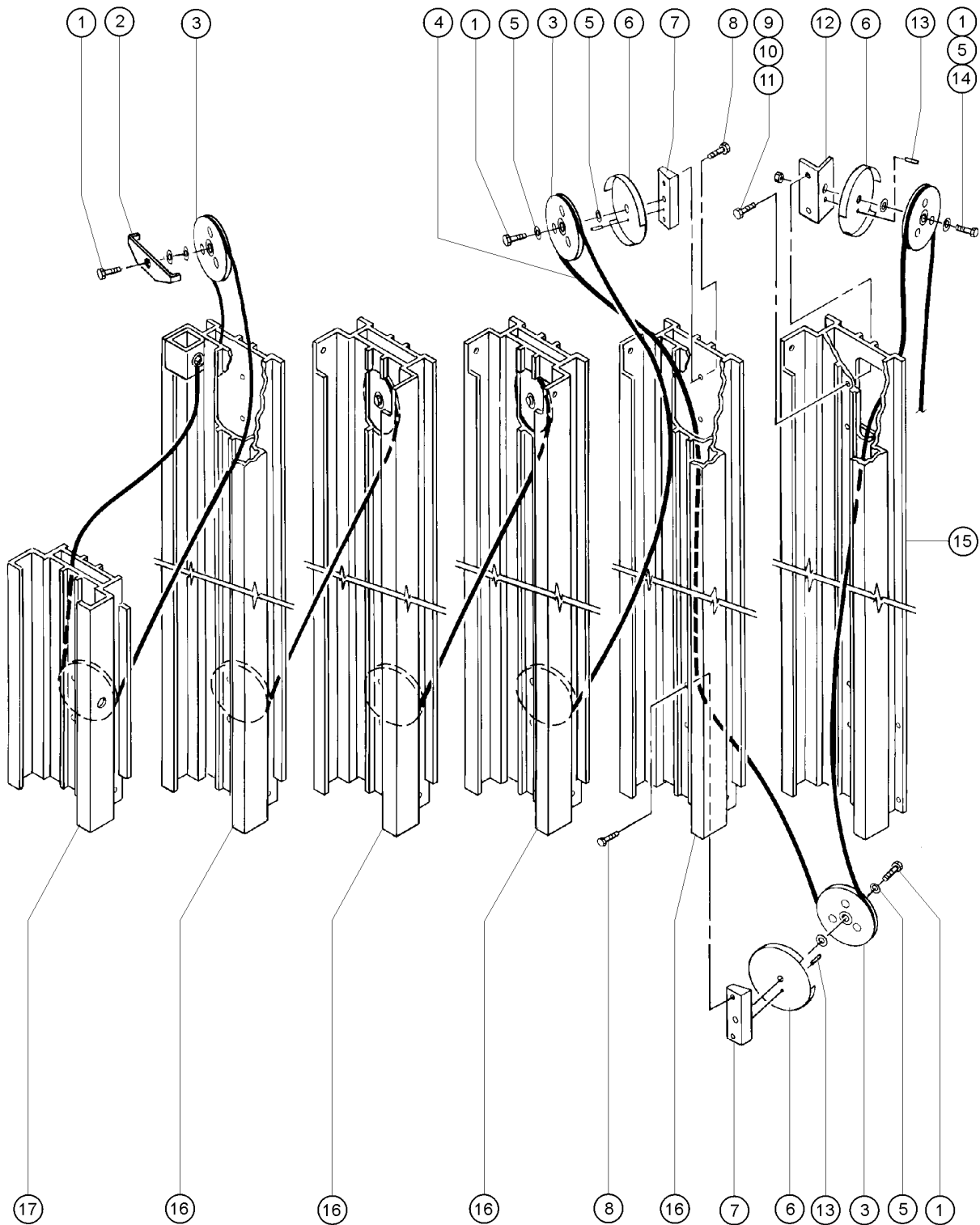
304.4 Mast Components, Pulleys and Cables (to SN ST15-4740)

Item	Part No.	Description	Qty.
1	10597GT	SCREW,HHC,1/2-13 X 1.25 GR5	
2	33420GT	GUARD,CABLE	1
3	32469GT	PULLEY W/BEARING,ALUMINUM*** replaced 49999 plastic pulley	10
4	32904GT	CABLE ASSY,SL/ST20 669" 7/32" (refer to 303.1) (does not include cable replacement coupler)	
4A	32905GT	CABLE ASSY,SL/ST25 813" 7/32"* (does not include cable replacement coupler)	
4A-	12402GT	CABLE REPLACEMENT COUPLER	
4A-	52701GT	VIDEO,NTSC,SLA,CABLING PROCDR	
5	6052GT	WASHER,SHIM,.5 X .875 X .063	20
6	32476GT	GUARD,CABLE*** (to SN ST02-1868)	10
7	32470GT	PULLEY MOUNT , SL-2	9
8	8255GT	SCREW,HHC,3/8-16 X .75	
9	6019GT	SCREW,HHC,3/8-16 X 1.25 GRD 5	
10	6097GT	WASHER,FLAT,USS,3/8",Y	
11	4828GT	NUT,NYLOCK,3/8-16	
12	33700GT	PULLEY MOUNT,#1 COLUMN,GRY,SLC	1
13	32483GT	PIN,ROLL,.25 X .50	10
14	6086GT	NUT,LP NYLOCK,1/2-13	
15B	33308GT	COLUMN #1 SLA/ST,MACHINED** (from SN 7795-337 to 7798-1523)	
16C	57037-SGT	COLUMN#2,MACHINED,ST,BLK,SERV (from SN 7799-319)	2
17C	57038-SGT	CARRIAGE,MACHINED,ST SERV (from SN 7799-319)	



A TORONTO BRAND

304.5 Mast Components, Pulleys and Cables (to SN ST15-4740)



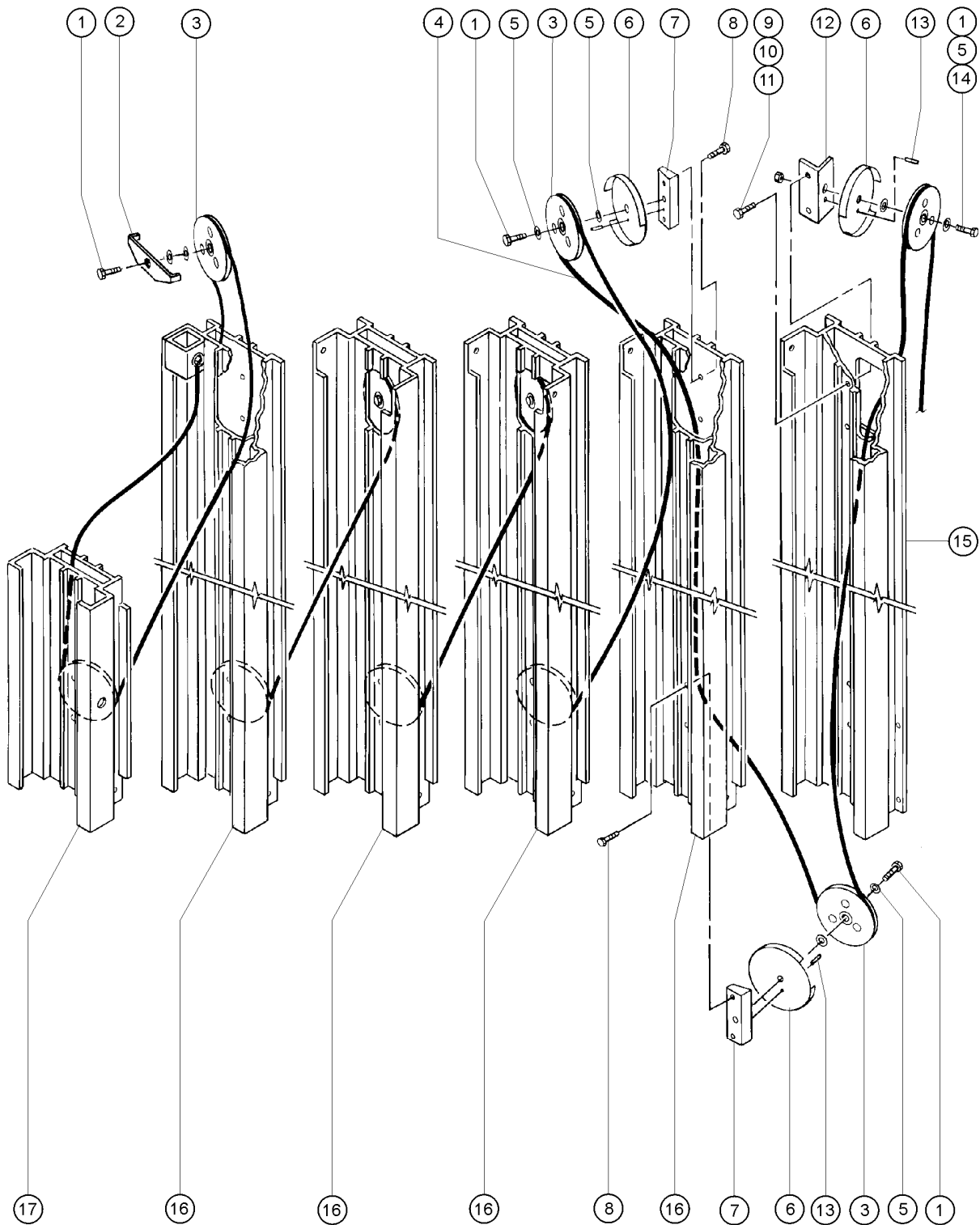
304.5 Mast Components, Pulleys and Cables (to SN ST15-4740)

Item	Part No.	Description	Qty.
1	10597GT	SCREW,HHC,1/2-13 X 1.25 GR5	
2	33420GT	GUARD,CABLE	1
3	32469GT	PULLEY W/BEARING,ALUMINUM*** replaced 49999 plastic pulley	10
4	32904GT	CABLE ASSY,SL/ST20 669" 7/32" (refer to 303.1) (does not include cable replacement coupler)	
4A	32905GT	CABLE ASSY,SL/ST25 813" 7/32"* (does not include cable replacement coupler)	
4A-	12402GT	CABLE REPLACEMENT COUPLER	
4A-	52701GT	VIDEO,NTSC,SLA,CABLING PROCDR	
5	6052GT	WASHER,SHIM,.5 X .875 X .063	20
6	32476GT	GUARD,CABLE*** (to SN ST02-1868)	10
7	32470GT	PULLEY MOUNT , SL-2	9
8	8255GT	SCREW,HHC,3/8-16 X .75	
9	6019GT	SCREW,HHC,3/8-16 X 1.25 GRD 5	
10	6097GT	WASHER,FLAT,USS,3/8",Y	
11	4828GT	NUT,NYLOCK,3/8-16	
12	33700GT	PULLEY MOUNT,#1 COLUMN,GRY,SLC	1
13	32483GT	PIN,ROLL,.25 X .50	10
14	6086GT	NUT,LP NYLOCK,1/2-13	
15C	57036-SGT	COLUMN#1,MACHINED,ST,BLK,SERV (from SN 7799-319) (must order with PN 35814 for units from 7799-319 to ST04-2407)	
16C	57037-SGT	COLUMN#2,MACHINED,ST,BLK,SERV (from SN 7799-319)	2
17C	57038-SGT	CARRIAGE,MACHINED,ST SERV (from SN 7799-319)	



A TORONO GROUP

304.6 Mast Components, Pulleys and Cables (to SN ST15-4740)



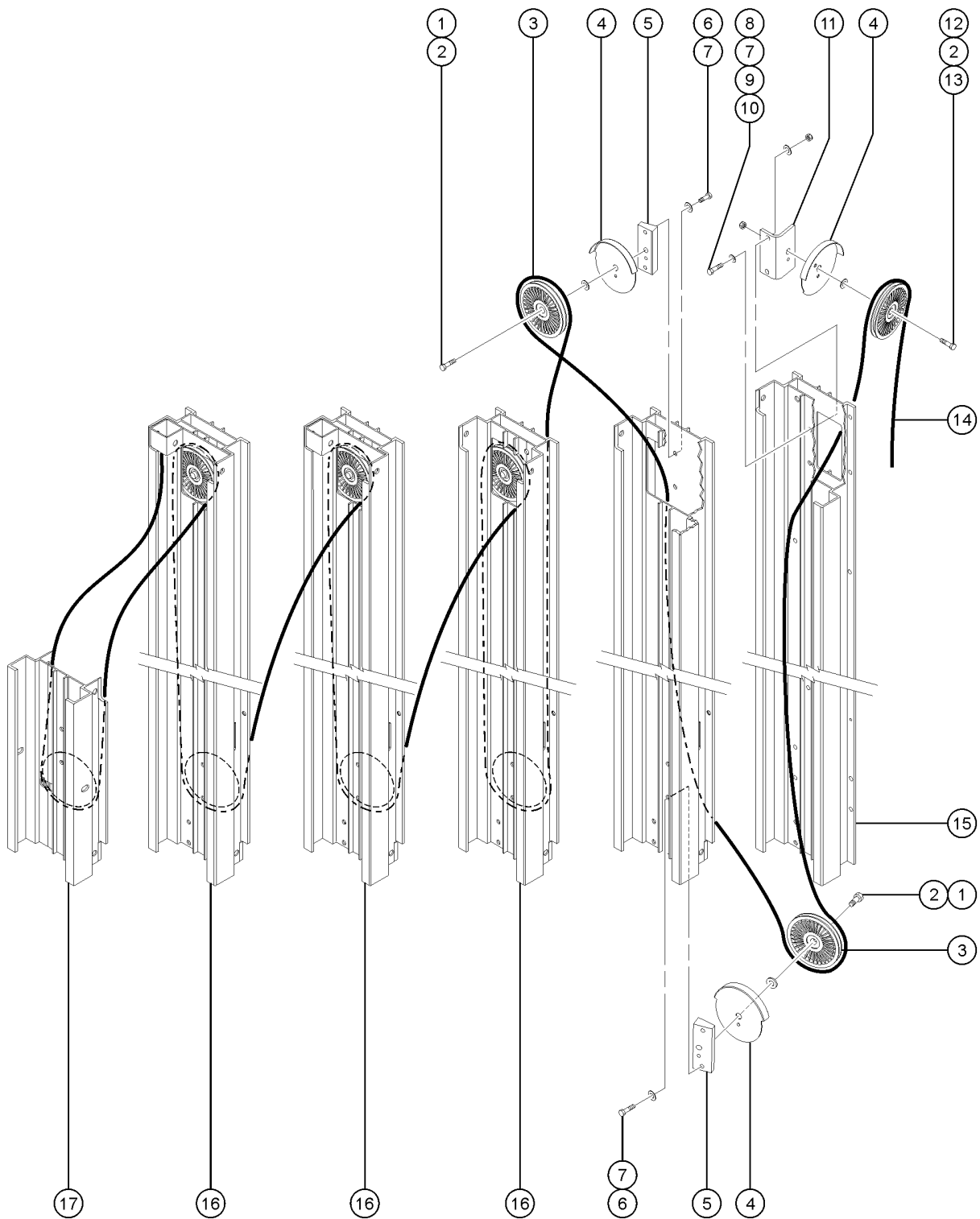
304.6 Mast Components, Pulleys and Cables (to SN ST15-4740)

Item	Part No.	Description	Qty.
1	10597GT	SCREW,HHC,1/2-13 X 1.25 GR5	
2	33420GT	GUARD,CABLE	1
		(to SN ST02-1868)	
3	32469GT	PULLEY W/BEARING,ALUMINUM***	10
		replaced 49999 plastic pulley	
4	32904GT	CABLE ASSY,SL/ST20 669" 7/32"	
		(refer to 303.1) (does not include cable replacement coupler)	
4A	32905GT	CABLE ASSY,SL/ST25 813" 7/32"*	
		(does not include cable replacement coupler)	
4A-	12402GT	CABLE REPLACEMENT COUPLER	
		(sold separately)	
4A-	52701GT	VIDEO,NTSC,SLA,CABLING PROCDR	
		(sold separately)	
5	6052GT	WASHER,SHIM,.5 X .875 X .063	20
6A	32476GT	GUARD,CABLE***	10
		(to SN ST02-1868)	
6B	80680GT	GUARD,CABLE	
		(from SN ST02-1869)	
7	32470GT	PULLEY MOUNT , SL-2	9
8	8255GT	SCREW,HHC,3/8-16 X .75	
9	6019GT	SCREW,HHC,3/8-16 X 1.25 GRD 5	
10	6097GT	WASHER,FLAT,USS,3/8",Y	
11	4828GT	NUT,NYLOCK,3/8-16	
12	33700GT	PULLEY MOUNT,#1 COLUMN,GRY,SLC	1
13	32483GT	PIN,ROLL,.25 X .50	10
14	6086GT	NUT,LP NYLOCK,1/2-13	
15C	57036-SGT	COLUMN#1,MACHINED,ST,BLK,SERV	
		(from SN 7799-319) (must order with PN 35814 for units from 7799-319 to ST04-2407)	
16C	57037-SGT	COLUMN#2,MACHINED,ST,BLK,SERV	2
		(from SN 7799-319)	
17C	57038-SGT	CARRIAGE,MACHINED,ST SERV	
		(from SN 7799-319)	



A TORONTO BRAND

304.7 Mast Components, Pulleys and Cables (from SN ST15-4741)

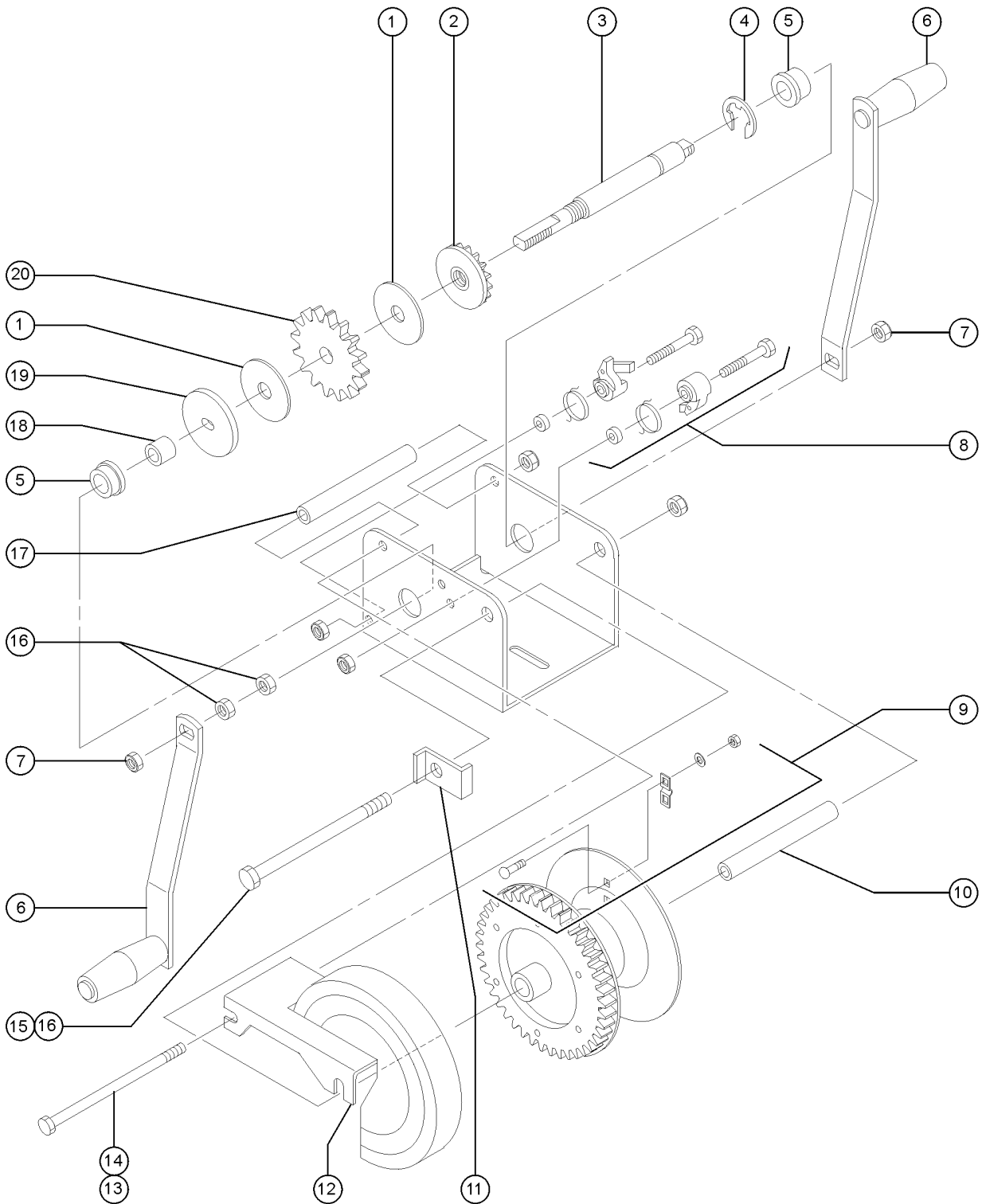


304.7 Mast Components, Pulleys and Cables (from SN ST15-4741)

Item	Part No.	Description	Qty.
1	10597GT	SCREW,HHC,1/2-13 X 1.25 GR5	
2	1257466GT	WASHER, FLAT, SAE, .5, GRADE 9	
3A	1254648GT	PULLEY, 6203 (ST-20)	8
3B	1254648GT	PULLEY, 6203 (ST-25)	10
4A	1254649GT	COVER,PULLEY, 6203 (ST-20)	8
4B	1254649GT	COVER,PULLEY, 6203 (ST-25)	10
5A	1251619GT	MOUNT, PULLEY, INNER, 6203 (ST-20)	8
5B	1251619GT	MOUNT, PULLEY, INNER, 6203 (ST-25)	10
6	8255GT	SCREW,HHC,3/8-16 X .75	
7	5397GT	WASHER,FLAT,USS,5/16",Y	
8	6019GT	SCREW,HHC,3/8-16 X 1.25 GRD 5	
9	6097GT	WASHER,FLAT,USS,3/8",Y	
10	1257075GT	NUT, NYLOCK,3/8-16,GR8, ZINC	
11	1256136GT	MOUNT, PLY, FIRST, 6203, GRAY	1
12	22788GT	SCREW,HHC,1/2-13 X 1.75	
13	1257074GT	NUT, NYLOCK, 1/2-13, GR8, ZINC	
14A	52701GT	VIDEO,NTSC,SLA,CABLING PROCDR (Sold Separately)	
14A-	12402GT	CABLE REPLACEMENT COUPLER (Sold Separately)	
14B	32904GT	CABLE ASSY,SL/ST20 669" 7/32" ST-20; Does Not Include Cable Replacement Coupler	1
14C	32905GT	CABLE ASSY,SL/ST25 813" 7/32"* ST-25; Does Not Include Cable Replacement Coupler	1
15	57036GT	COLUMN#1,MACHINED,ST,BLK ANODI	1
16	57037-SGT	COLUMN#2,MACHINED,ST,BLK,SERV (quantity depends on height of unit)	
17	57038-SGT	CARRIAGE,MACHINED,ST SERV	1



305.1 Winch Components, One-speed

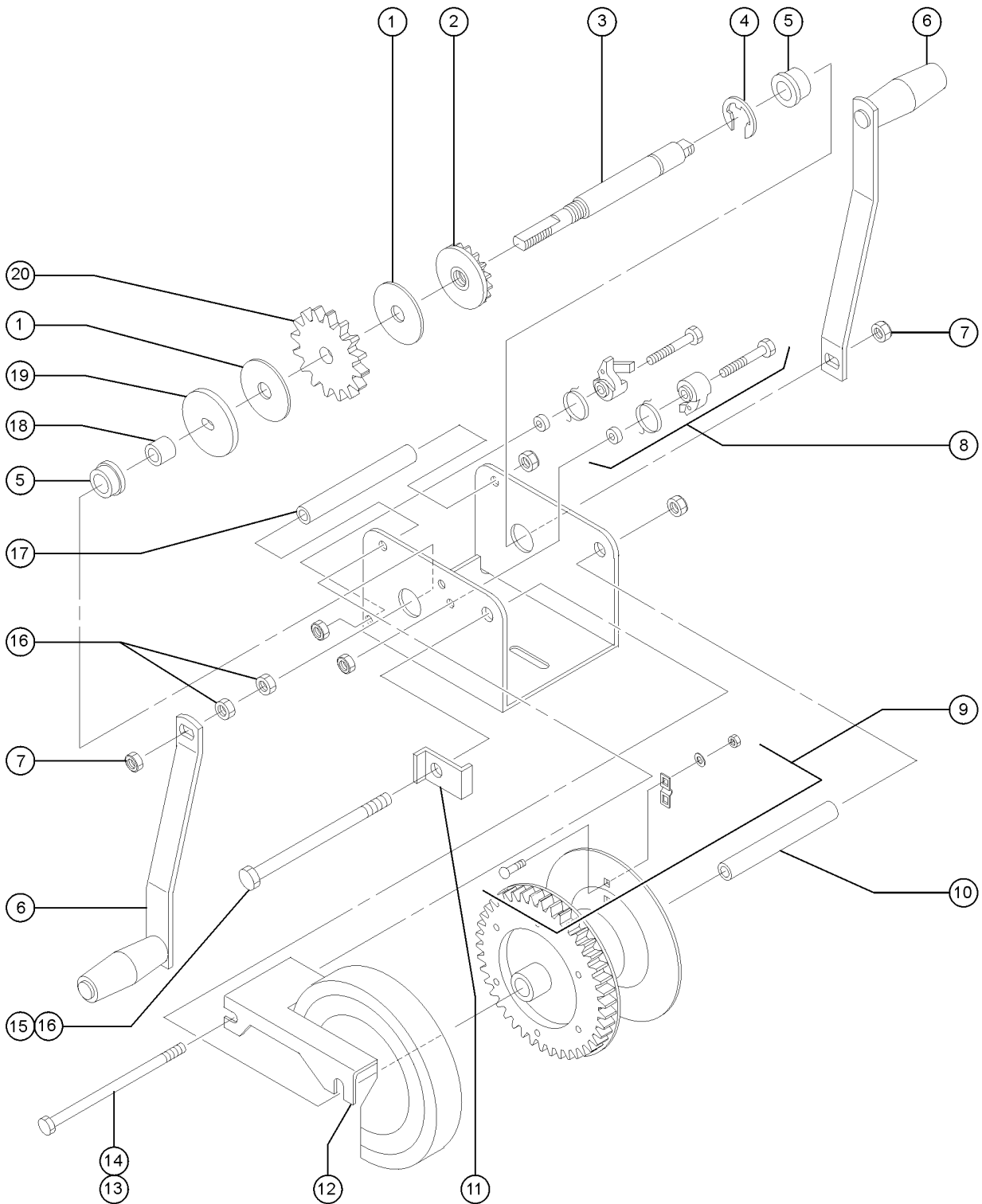


Item	Part No.	Description	Qty.
A-		SERVICE KIT,PINION SHAFT-K1550 (1256081) (component no longer available)	
C-	1256083GT	SVC KIT, FRICTION DISC K/KX includes qty 2 of item 1	
D-	32945GT	WINCH,W/DECAL 1SPEED SL/ST USA, Canada and Australia models (word decals)(handle not included)	
E-	107494GT	WINCH ASSY, ONE SPD, SYM DECAL Asia, South America and Europe models	
1		BRAKE DISK,.5 BORE,K-1550 (7571) (component no longer available)	2
2		PINION GEAR AND DISC K-1550 (7590) (component no longer available)	1
3		SHAFT,PINION (32891) (component no longer available)	1
4		RETAINING RING (6200) (component no longer available)	1
5		BUSHING, SMALL PINION, FULTON (6199) (component no longer available)	2
6	33144GT	WINCH HANDLE 8" STD.** (perpendicular slot)	2
6A	33144GT	WINCH HANDLE 8" STD.**	
7	6086GT	NUT,LP NYLOCK,1/2-13	
8	40458GT	RATCHET PAWL KIT	1
8-	8516GT	SCREW, HCC, 3/8-16 X 1.50	
8-	35734GT	FORMING, SEQUENCING, CARR, ZN	
8-	4500GT	CABLE 1/8 7 X 19 GALV.-BULK	
8-	4517GT	STOP SLEEVE-CABLE TENSION ASSY	
8-	4518GT	CABLE SWAGE,ZINC-MAST TENSION	
8-	4828GT	NUT,NYLOCK,3/8-16	
9	6190GT	CABLE KEEP.KIT (BRACKET TYPE)*	1
9-	80159GT	CARRIAGE BOLT	
9-	80160GT	KEEPER-CABLE (32525)	
9-	80161GT	WASHER-STAR,INTERN,5/8"(32525)	
9-	25625GT	NUT,HEX,10-24	
10	6184GT	SPACER, DRUM BOLT, K-1550	1
11		WINCH BRACKET, DRUM BOLT LOCK (31946) (not sold separately)	1
12	6770GT	WINCH GEAR COVERS, K-1500	1
13	7256GT	SCREW,HHC,5/16-18 X 6 GRD.2	



A TORONTO BRAND

305.1 Winch Components, One-speed

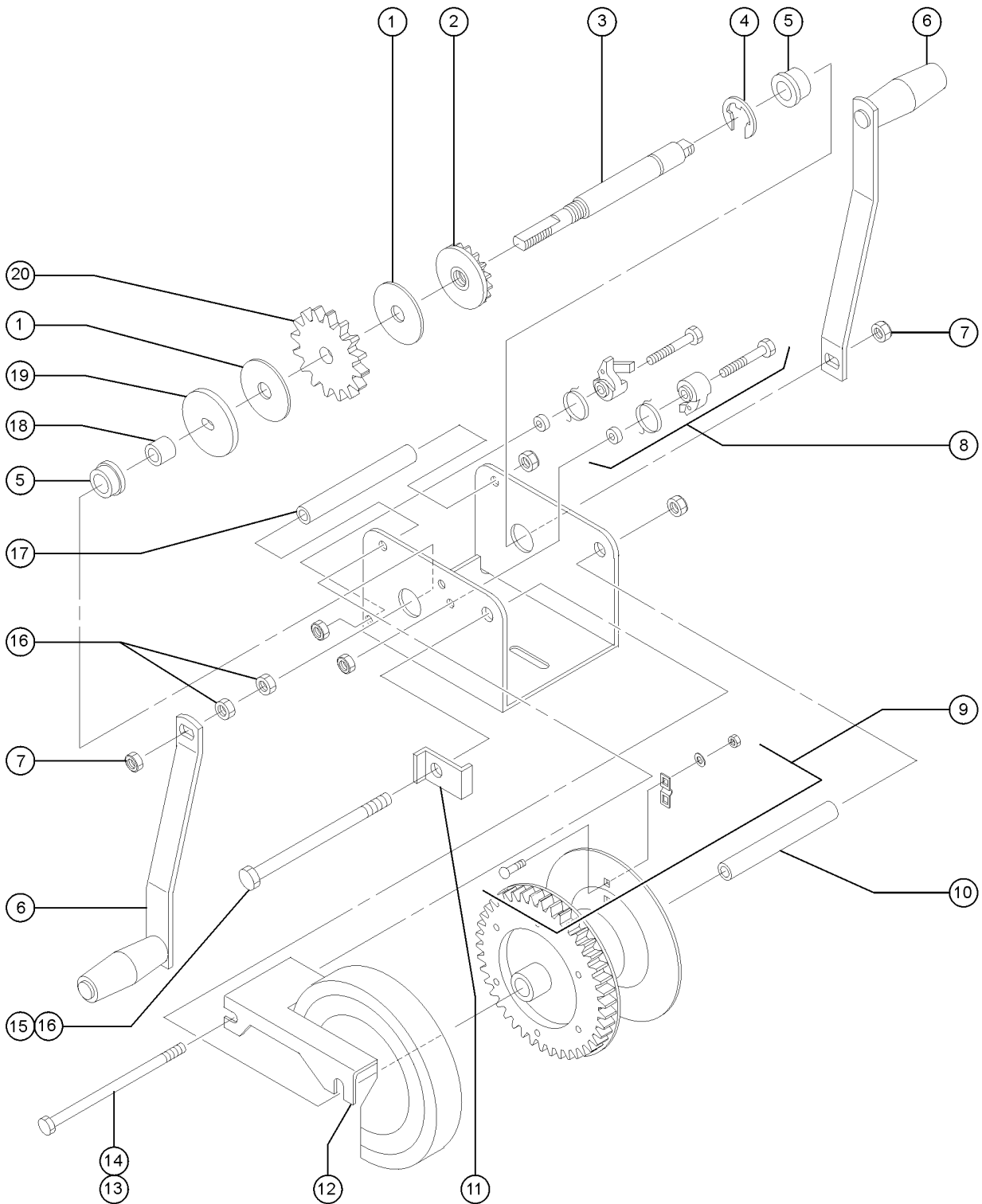


305.1 Winch Components, One-speed

Item	Part No.	Description	Qty.
14	6782GT	NUT,NYLOCK,5/16-18	
15	6185GT	BOLT, DRUM SPACER	1
16	6034GT	NUT,HEX,JAM,1/2-13	
17		FRAME SPACER,K-1550 (7584) (not sold separately)	1
18		SPACER,PINION SHAFT (32890) (component no longer available)	1
19		WINCH PINION PLATE, K-1550 (7591) (component no longer available)	1
20		RATCHET GEAR,K-1550 1/2" I.D. (6777) (component no longer available)	1



305.2 Winch Components, One-speed

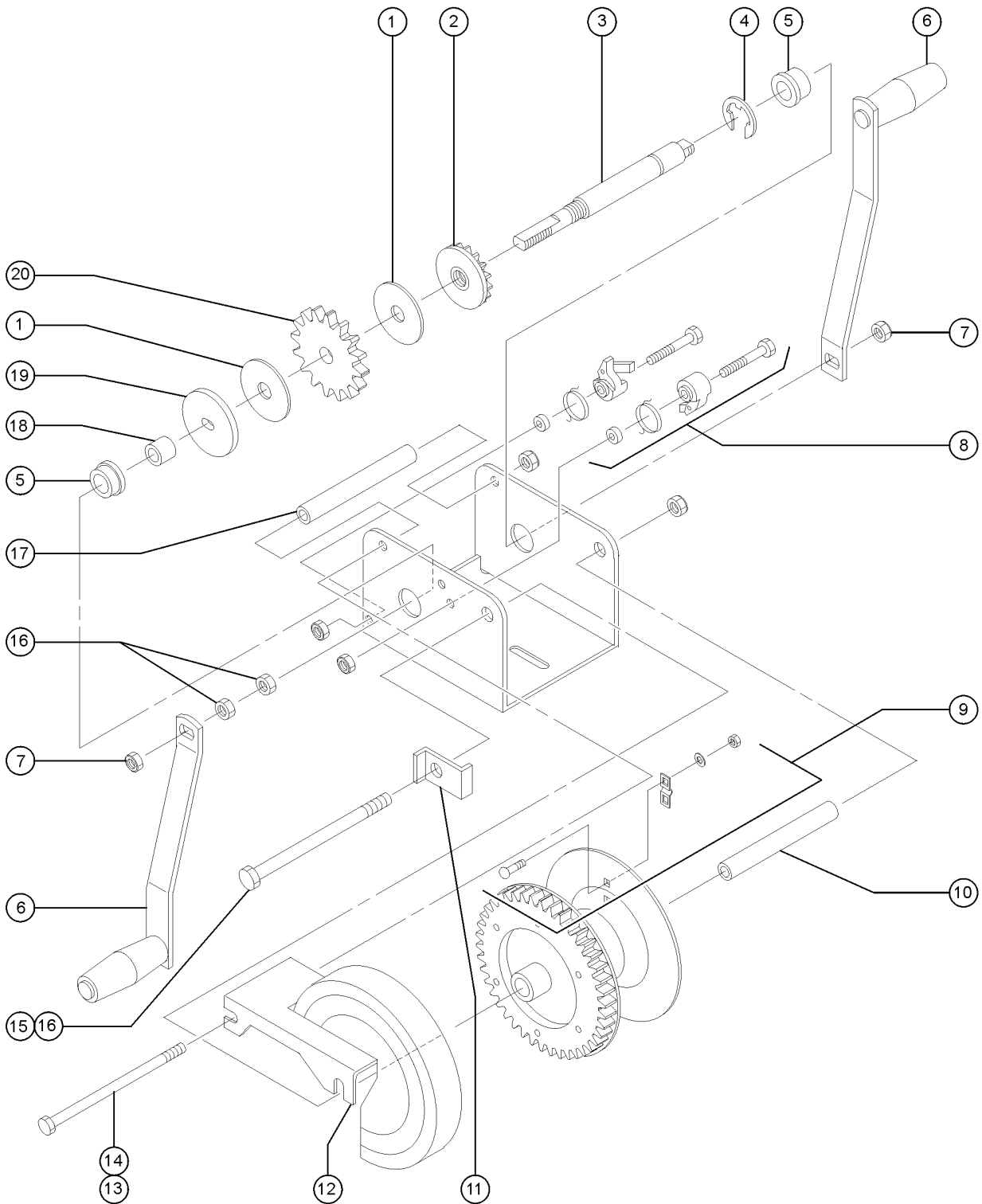


Item	Part No.	Description	Qty.
A-		SERVICE KIT,PINION SHAFT-K1550 (1256081) (component no longer available)	
C-	1256083GT	SVC KIT, FRICTION DISC K/KX includes qty 2 of item 1	
D-	32945GT	WINCH,W/DECAL 1SPEED SL/ST USA, Canada and Australia models (word decals)(handle not included)	
E-	107494GT	WINCH ASSY, ONE SPD, SYM DECAL Asia, South America and Europe models	
1		BRAKE DISK,.5 BORE,K-1550 (7571) (component no longer available)	2
2		PINION GEAR AND DISC K-1550 (7590) (component no longer available)	1
3		SHAFT,PINION (32891) (component no longer available)	1
4		RETAINING RING (6200) (component no longer available)	1
5		BUSHING, SMALL PINION, FULTON (6199) (component no longer available)	2
6	33144GT	WINCH HANDLE 8" STD.** (perpendicular slot)	2
6A	33144GT	WINCH HANDLE 8" STD.**	
7	6086GT	NUT,LP NYLOCK,1/2-13	
8	40458GT	RATCHET PAWL KIT	1
8-	8516GT	SCREW, HCC, 3/8-16 X 1.50	
8-	35734GT	FORMING, SEQUENCING, CARR, ZN	
8-	4500GT	CABLE 1/8 7 X 19 GALV.-BULK	
8-	4517GT	STOP SLEEVE-CABLE TENSION ASSY	
8-	4518GT	CABLE SWAGE,ZINC-MAST TENSION	
8-	4828GT	NUT,NYLOCK,3/8-16	
9	6190GT	CABLE KEEP.KIT (BRACKET TYPE)*	1
10	6184GT	SPACER, DRUM BOLT, K-1550	1
11		WINCH BRACKET, DRUM BOLT LOCK (31946) (component no longer available)	1
12	6770GT	WINCH GEAR COVERS, K-1500	1
13	7256GT	SCREW,HHC,5/16-18 X 6 GRD.2	
14	6782GT	NUT,NYLOCK,5/16-18	
15	6185GT	BOLT, DRUM SPACER	1
16	6034GT	NUT,HEX,JAM,1/2-13	
17		FRAME SPACER,K-1550 (7584) (component no longer available)	1



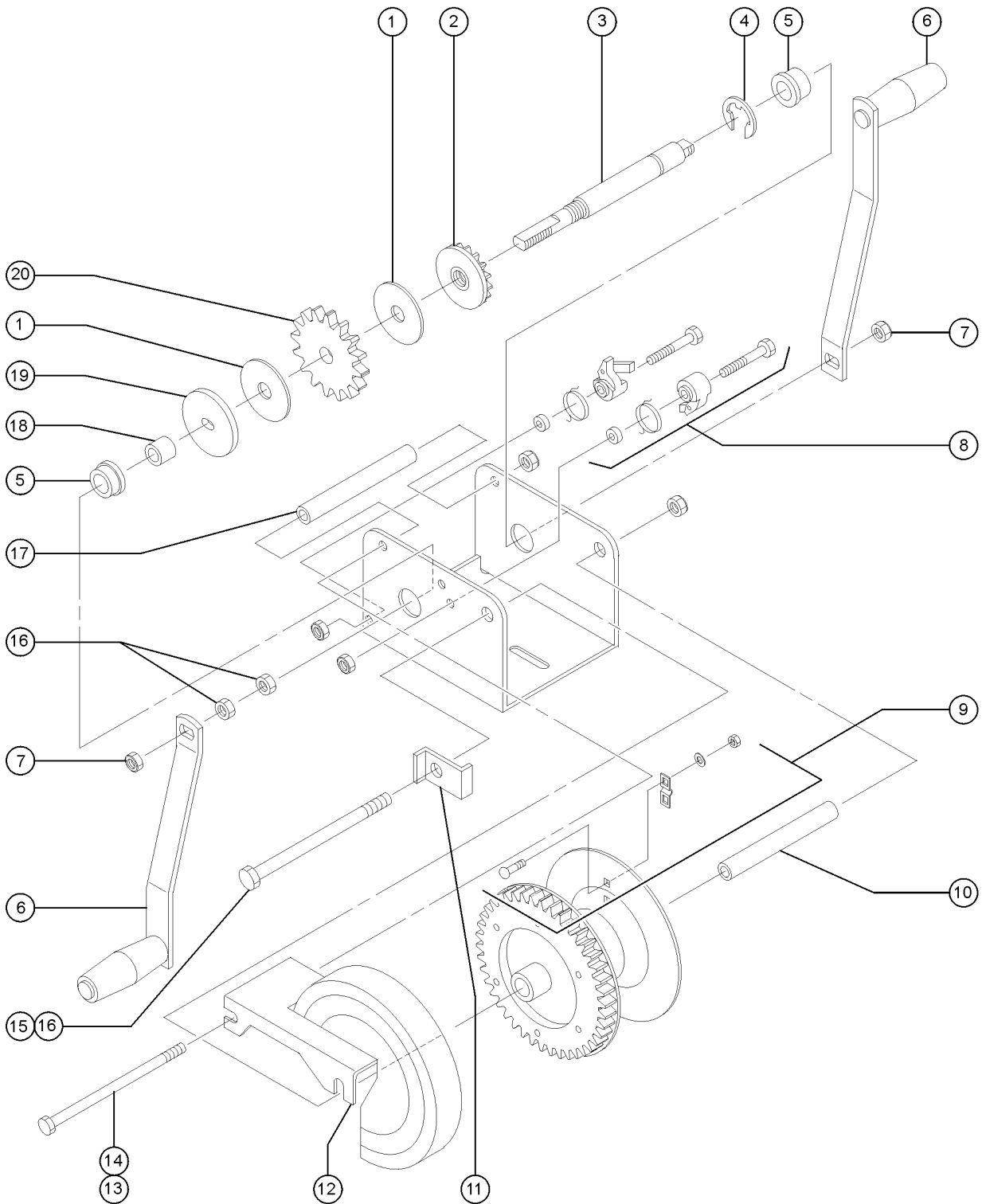
A TORCO BRAND

305.2 Winch Components, One-speed



<i>Item</i>	<i>Part No.</i>	<i>Description</i>	<i>Qty.</i>
18		SPACER, PINION SHAFT (32890) (component no longer available)	1
19		WINCH PINION PLATE, K-1550 (7591) (component no longer available)	1
20		RATCHET GEAR, K-1550 1/2" I.D. (6777) (component no longer available)	1

305.3 Winch Components, One-speed

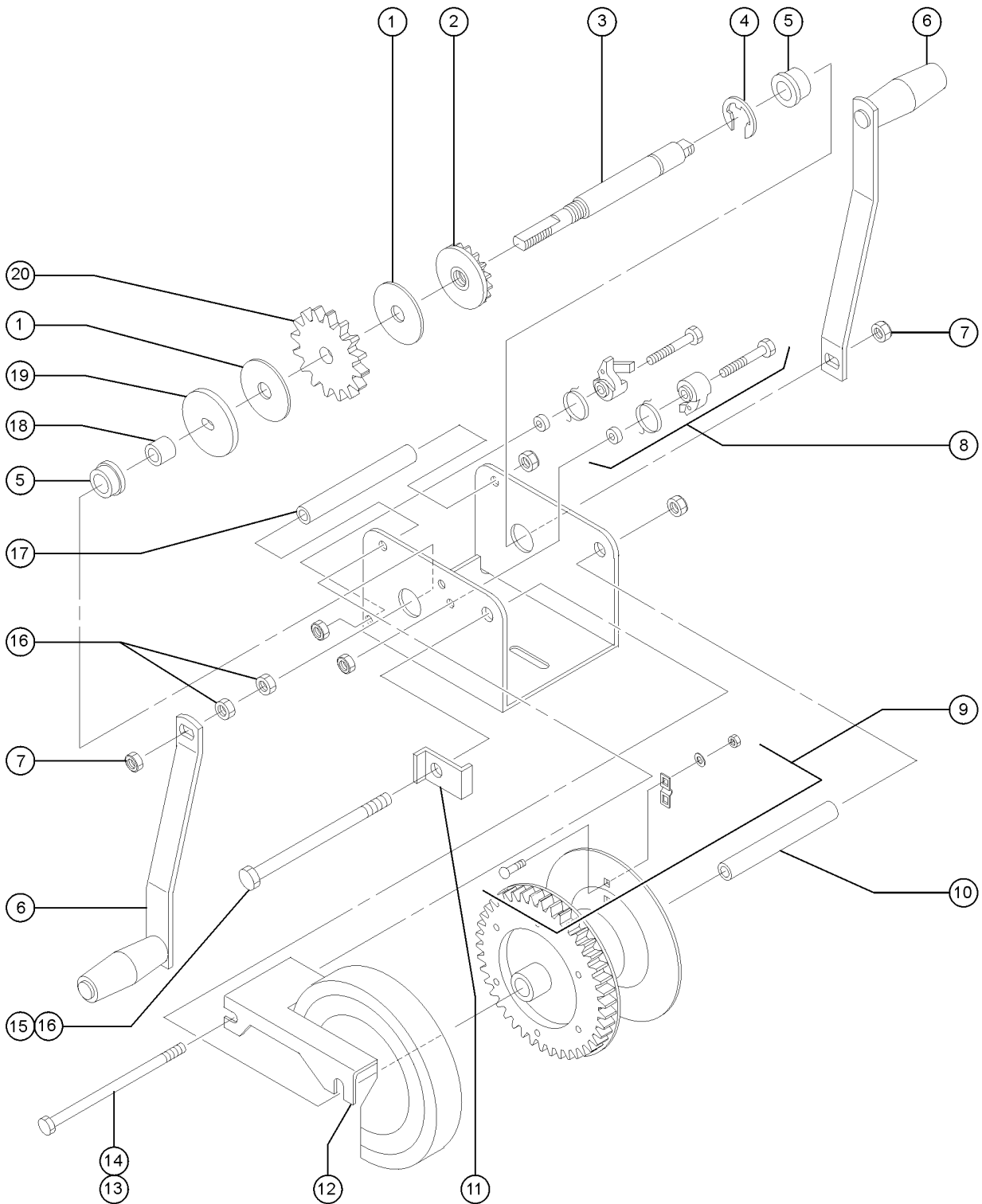


Item	Part No.	Description	Qty.
A-		SERVICE KIT,PINION SHAFT-K1550 (1256081) (component no longer available)	
C-	1256083GT	SVC KIT, FRICTION DISC K/KX includes qty 2 of item 1	
D-	32945GT	WINCH,W/DECAL 1SPEED SL/ST USA, Canada and Australia models (word decals)(handle not included)	
E-	107494GT	WINCH ASSY, ONE SPD, SYM DECAL Asia, South America and Europe models	
1		BRAKE DISK,.5 BORE,K-1550 (7571) (component no longer available)	2
2		PINION GEAR AND DISC K-1550 (7590) (component no longer available)	1
3		SHAFT,PINION (32891) (component no longer available)	1
4		RETAINING RING (6200) (component no longer available)	1
5		BUSHING, SMALL PINION, FULTON (6199) (component no longer available)	2
6	33144GT	WINCH HANDLE 8" STD.** (perpendicular slot)	2
6A	33144GT	WINCH HANDLE 8" STD.**	
7	6086GT	NUT,LP NYLOCK,1/2-13	
8	40458GT	RATCHET PAWL KIT	1
8-	8516GT	SCREW, HCC, 3/8-16 X 1.50	
8-	35734GT	FORMING, SEQUENCING, CARR, ZN	
8-	4500GT	CABLE 1/8 7 X 19 GALV.-BULK	
8-	4517GT	STOP SLEEVE-CABLE TENSION ASSY	
8-	4518GT	CABLE SWAGE,ZINC-MAST TENSION	
8-	4828GT	NUT,NYLOCK,3/8-16	
9	6190GT	CABLE KEEP.KIT (BRACKET TYPE)*	1
10	6184GT	SPACER, DRUM BOLT, K-1550	1
11		WINCH BRACKET, DRUM BOLT LOCK (31946) (component no longer available)	1
12	6770GT	WINCH GEAR COVERS, K-1500	1
13	7256GT	SCREW,HHC,5/16-18 X 6 GRD.2	
14	6782GT	NUT,NYLOCK,5/16-18	
15	6185GT	BOLT, DRUM SPACER	1
16	6034GT	NUT,HEX,JAM,1/2-13	
17		FRAME SPACER,K-1550 (7584) (component no longer available)	1



A TORCO BRAND

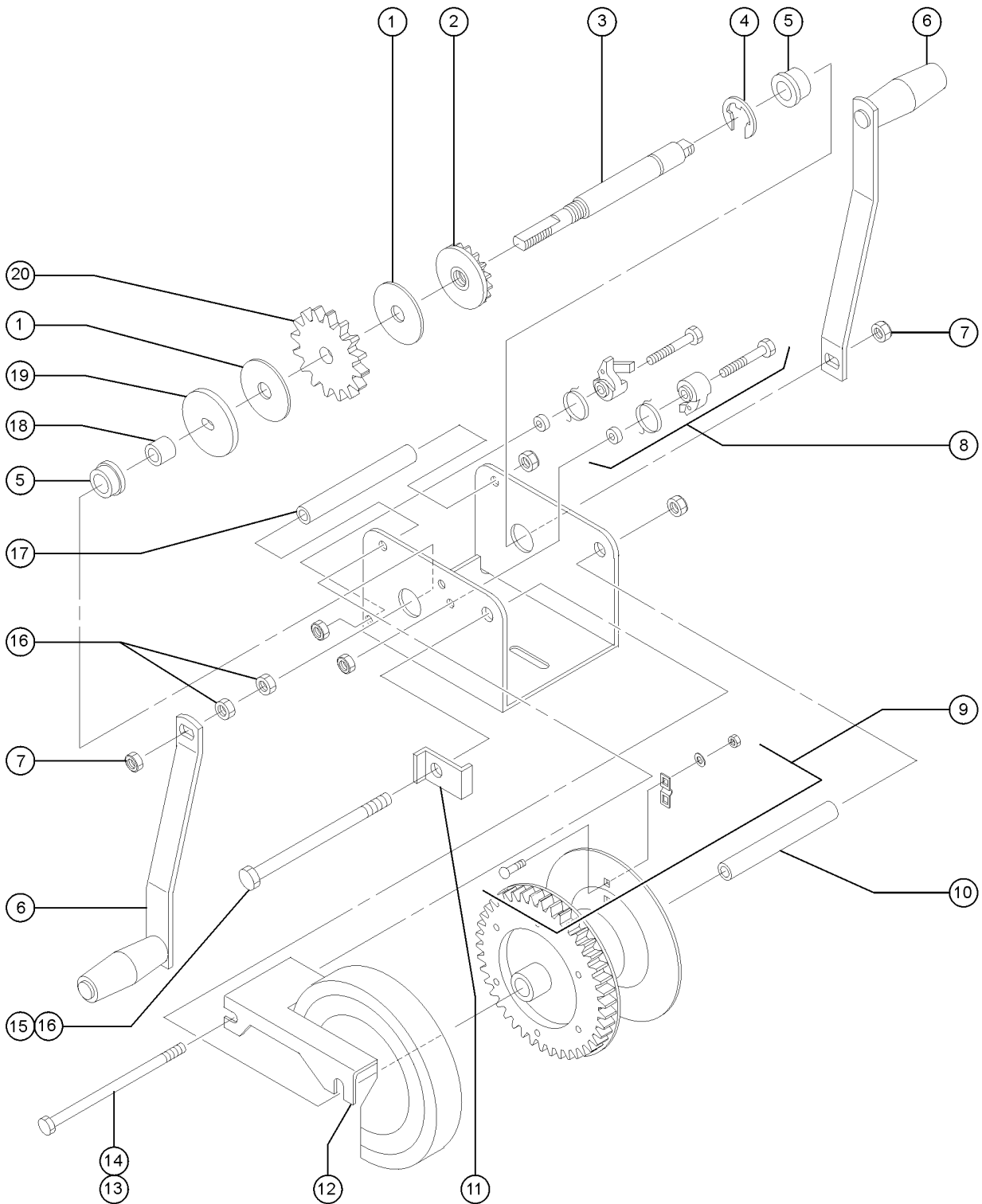
305.3 Winch Components, One-speed



305.3 Winch Components, One-speed

<i>Item</i>	<i>Part No.</i>	<i>Description</i>	<i>Qty.</i>
18		SPACER, PINION SHAFT (32890) (component no longer available)	1
19		WINCH PINION PLATE, K-1550 (7591) (component no longer available)	1
20		RATCHET GEAR, K-1550 1/2" I.D. (6777) (component no longer available)	1

305.4 Winch Components, One-speed

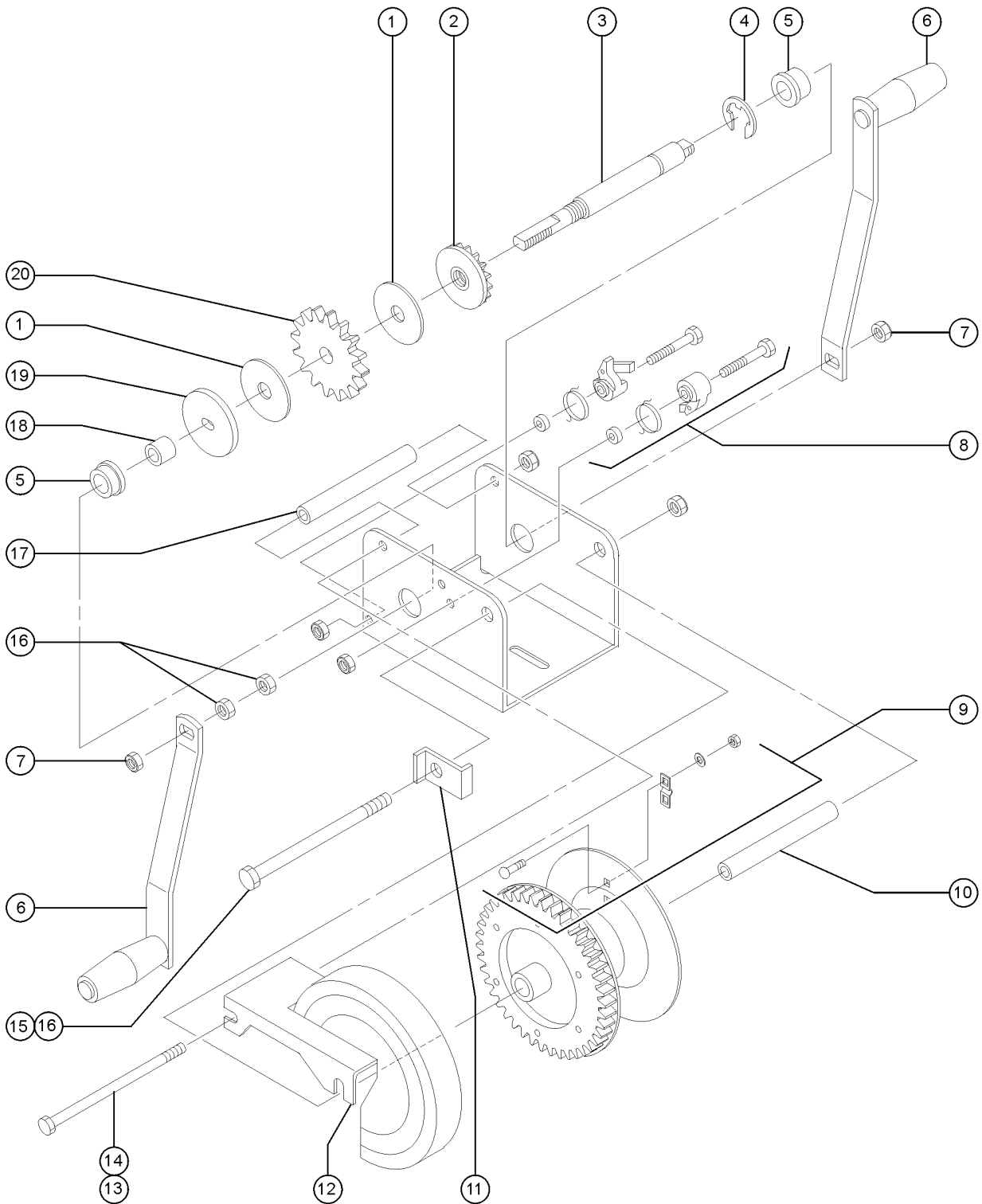


Item	Part No.	Description	Qty.
A-		SERVICE KIT,PINION SHAFT-K1550 (1256081) (component no longer available)	
C-	1256083GT	SVC KIT, FRICTION DISC K/KX includes qty 2 of item 1	
D-	32945GT	WINCH,W/DECAL 1SPEED SL/ST USA, Canada and Australia models (word decals)(handle not included)	
E-	107494GT	WINCH ASSY, ONE SPD, SYM DECAL Asia, South America and Europe models	
1		BRAKE DISK,.5 BORE,K-1550 (7571) (component no longer available)	2
2		PINION GEAR AND DISC K-1550 (7590) (component no longer available)	1
3		SHAFT,PINION (32891) (component no longer available)	1
4		RETAINING RING (6200) (component no longer available)	1
5		BUSHING, SMALL PINION, FULTON (6199) (component no longer available)	2
6	33144GT	WINCH HANDLE 8" STD.** (perpendicular slot)	2
6A	33144GT	WINCH HANDLE 8" STD.** (parallel slot)	
7	6086GT	NUT,LP NYLOCK,1/2-13	
8	40458GT	RATCHET PAWL KIT	1
8-	8516GT	SCREW, HCC, 3/8-16 X 1.50	
8-	35734GT	FORMING, SEQUENCING, CARR, ZN	
8-	4500GT	CABLE 1/8 7 X 19 GALV.-BULK	
8-	4517GT	STOP SLEEVE-CABLE TENSION ASSY	
8-	4518GT	CABLE SWAGE,ZINC-MAST TENSION	
8-	4828GT	NUT,NYLOCK,3/8-16	
9	6190GT	CABLE KEEP.KIT (BRACKET TYPE)*	1
10	6184GT	SPACER, DRUM BOLT, K-1550	1
11		WINCH BRACKET, DRUM BOLT LOCK (31946) (component no longer available)	1
12	6770GT	WINCH GEAR COVERS, K-1500	1
13	7256GT	SCREW,HHC,5/16-18 X 6 GRD.2	
14	6782GT	NUT,NYLOCK,5/16-18	
15	6185GT	BOLT, DRUM SPACER	1
16	6034GT	NUT,HEX,JAM,1/2-13	
17		FRAME SPACER,K-1550 (7584) (component no longer available)	1



A TORCO BRAND

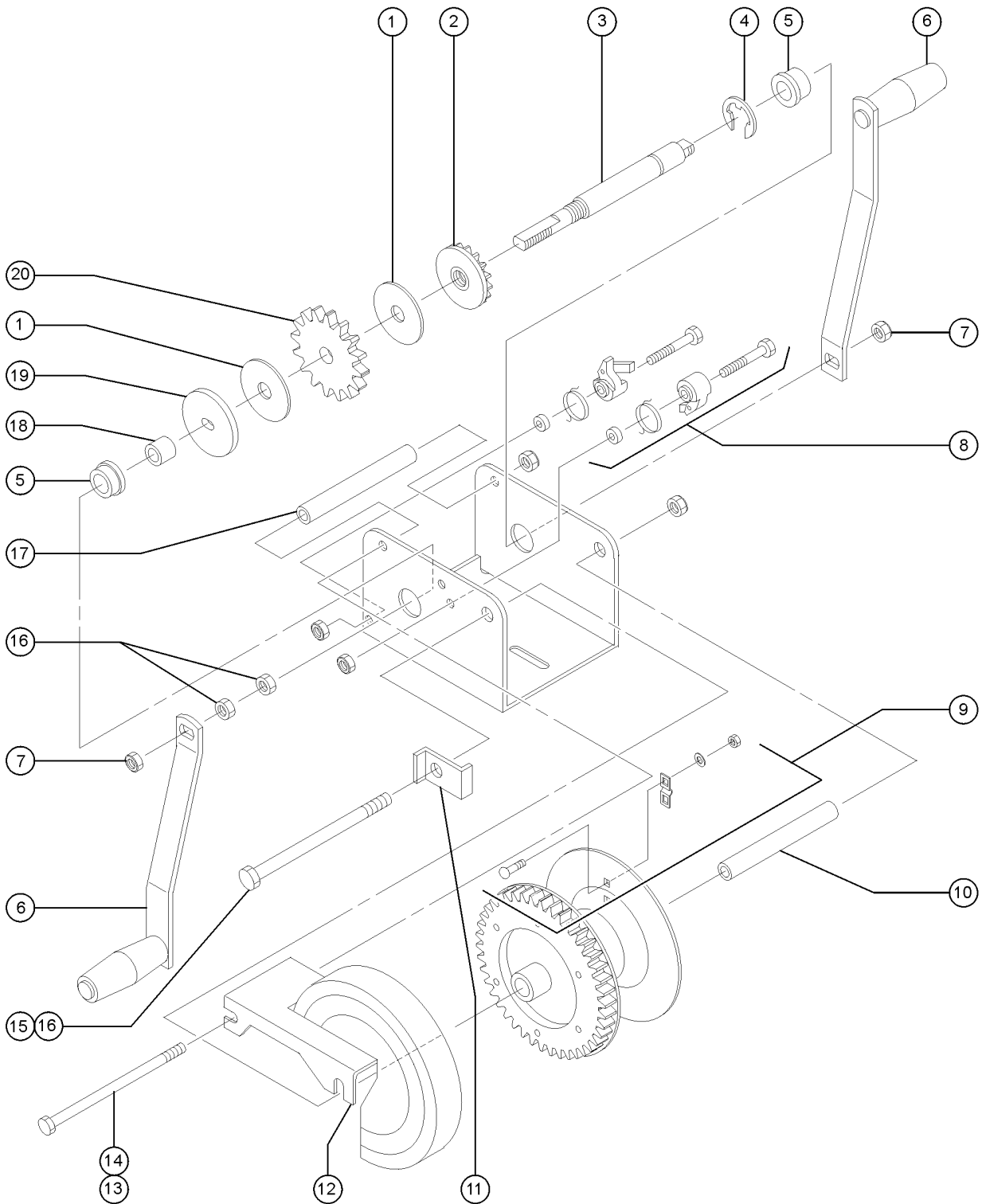
305.4 Winch Components, One-speed



305.4 Winch Components, One-speed

<i>Item</i>	<i>Part No.</i>	<i>Description</i>	<i>Qty.</i>
18		SPACER, PINION SHAFT (32890) (component no longer available)	1
19		WINCH PINION PLATE, K-1550 (7591) (component no longer available)	1
20		RATCHET GEAR, K-1550 1/2" I.D. (6777) (component no longer available)	1

305.5 Winch Components, One-speed

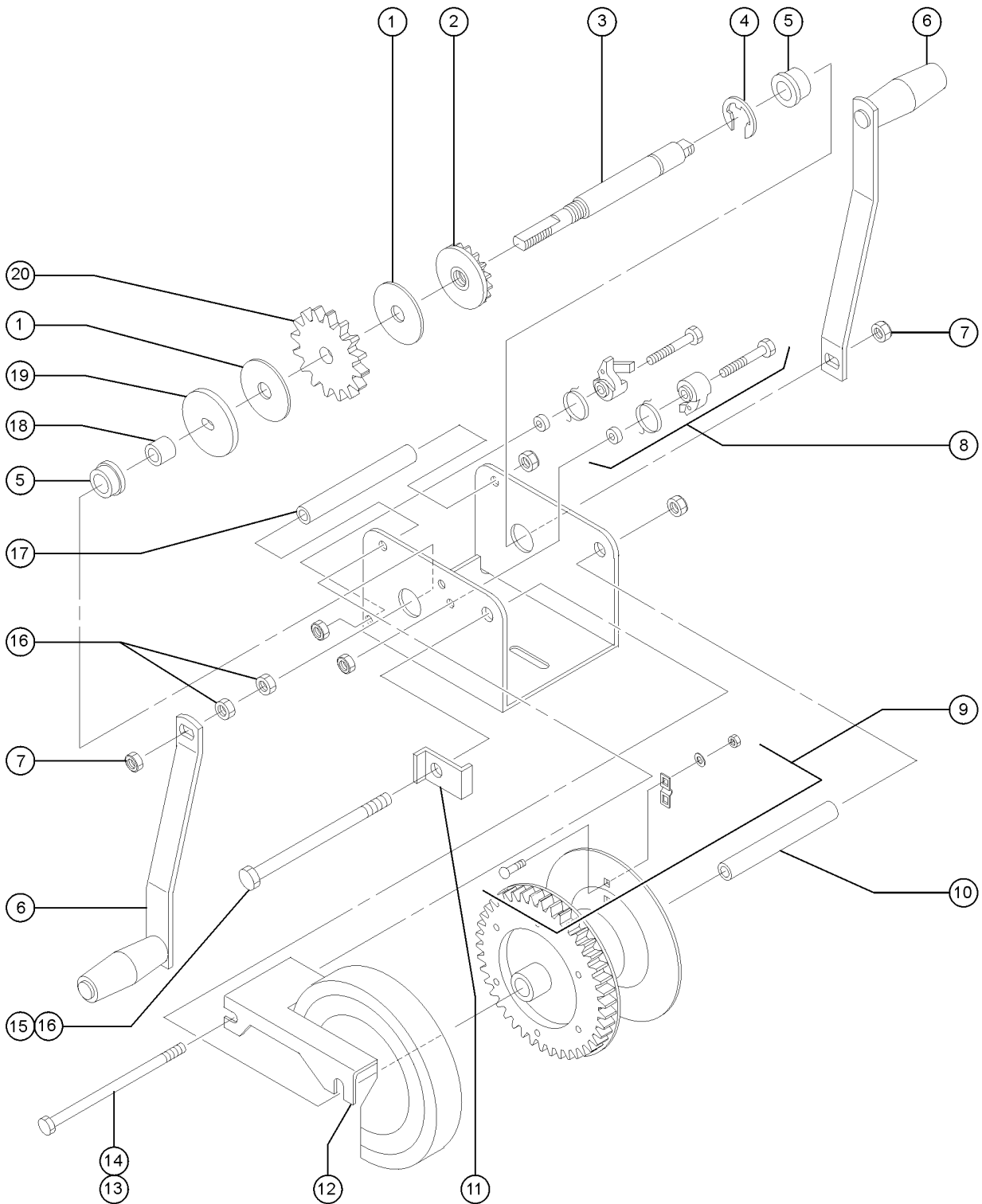


Item	Part No.	Description	Qty.
A-		SERVICE KIT,PINION SHAFT-K1550 (1256081) (component no longer available)	
C-	1256083GT	SVC KIT, FRICTION DISC K/KX includes qty 2 of item 1	
D-	32945GT	WINCH,W/DECAL 1SPEED SL/ST USA, Canada and Australia models (word decals)(handle not included)	
E-	107494GT	WINCH ASSY, ONE SPD, SYM DECAL Asia, South America and Europe models	
1		BRAKE DISK,.5 BORE,K-1550 (7571) (component no longer available)	2
2		PINION GEAR AND DISC K-1550 (7590) (component no longer available)	1
3		SHAFT,PINION (32891) (component no longer available)	1
4		RETAINING RING (6200) (component no longer available)	1
5		BUSHING, SMALL PINION, FULTON (6199) (component no longer available)	2
6	33144GT	WINCH HANDLE 8" STD.** (perpendicular slot)	2
6A	33144GT	WINCH HANDLE 8" STD.** (parallel slot)	
7	6086GT	NUT,LP NYLOCK,1/2-13	
8	40458GT	RATCHET PAWL KIT	1
8-	8516GT	SCREW, HCC, 3/8-16 X 1.50	
8-	35734GT	FORMING, SEQUENCING, CARR, ZN	
8-	4500GT	CABLE 1/8 7 X 19 GALV.-BULK	
8-	4517GT	STOP SLEEVE-CABLE TENSION ASSY	
8-	4518GT	CABLE SWAGE,ZINC-MAST TENSION	
8-	4828GT	NUT,NYLOCK,3/8-16	
9	6190GT	CABLE KEEP.KIT (BRACKET TYPE)*	1
10	6184GT	SPACER, DRUM BOLT, K-1550	1
11		WINCH BRACKET, DRUM BOLT LOCK (31946) (not sold separately)	1
12	6770GT	WINCH GEAR COVERS, K-1500	1
13	7256GT	SCREW,HHC,5/16-18 X 6 GRD.2	
14	6782GT	NUT,NYLOCK,5/16-18	
15	6185GT	BOLT, DRUM SPACER	1
16	6034GT	NUT,HEX,JAM,1/2-13	
17		FRAME SPACER,K-1550 (7584) (not sold separately)	1



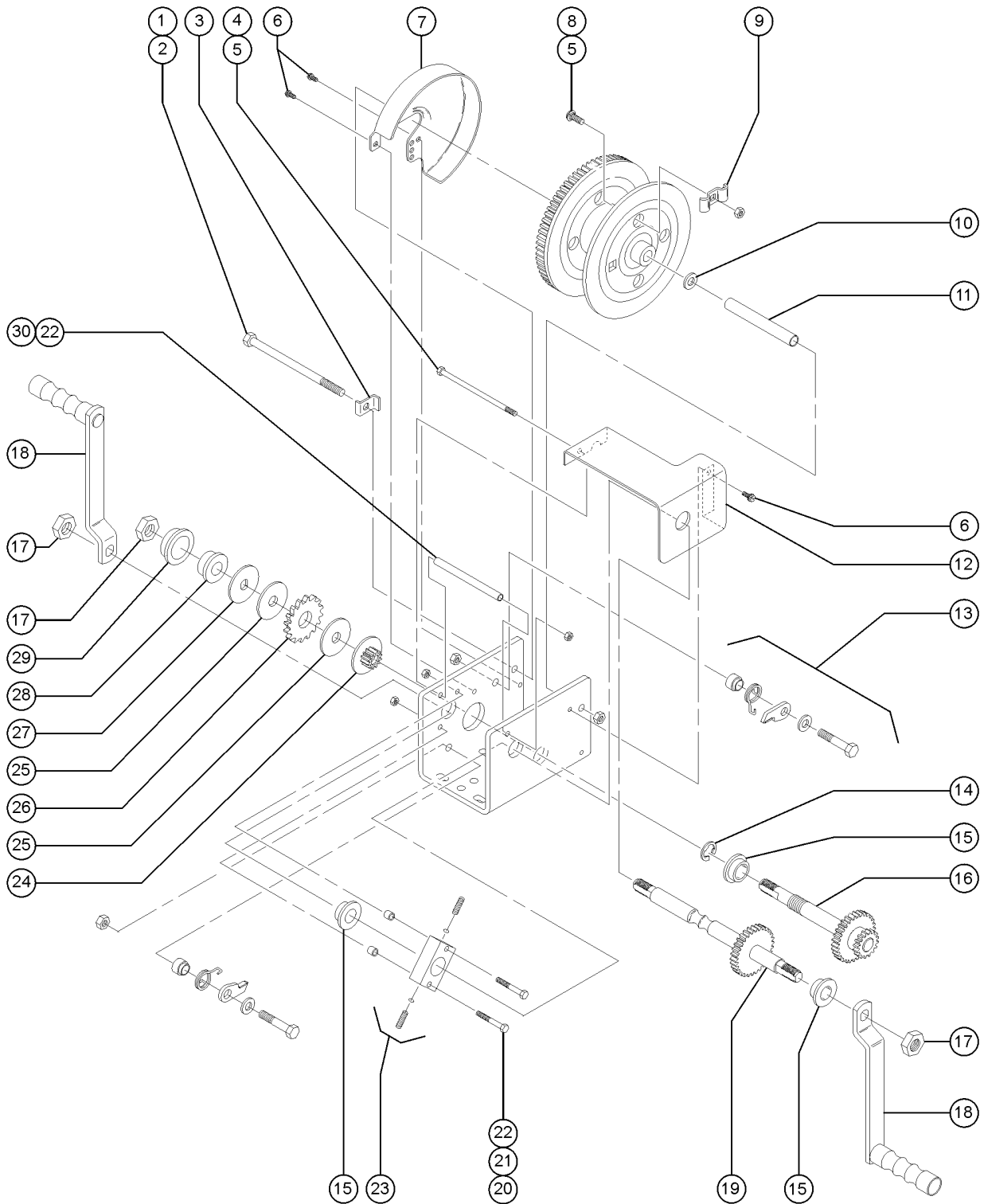
A TORONTO BRAND

305.5 Winch Components, One-speed



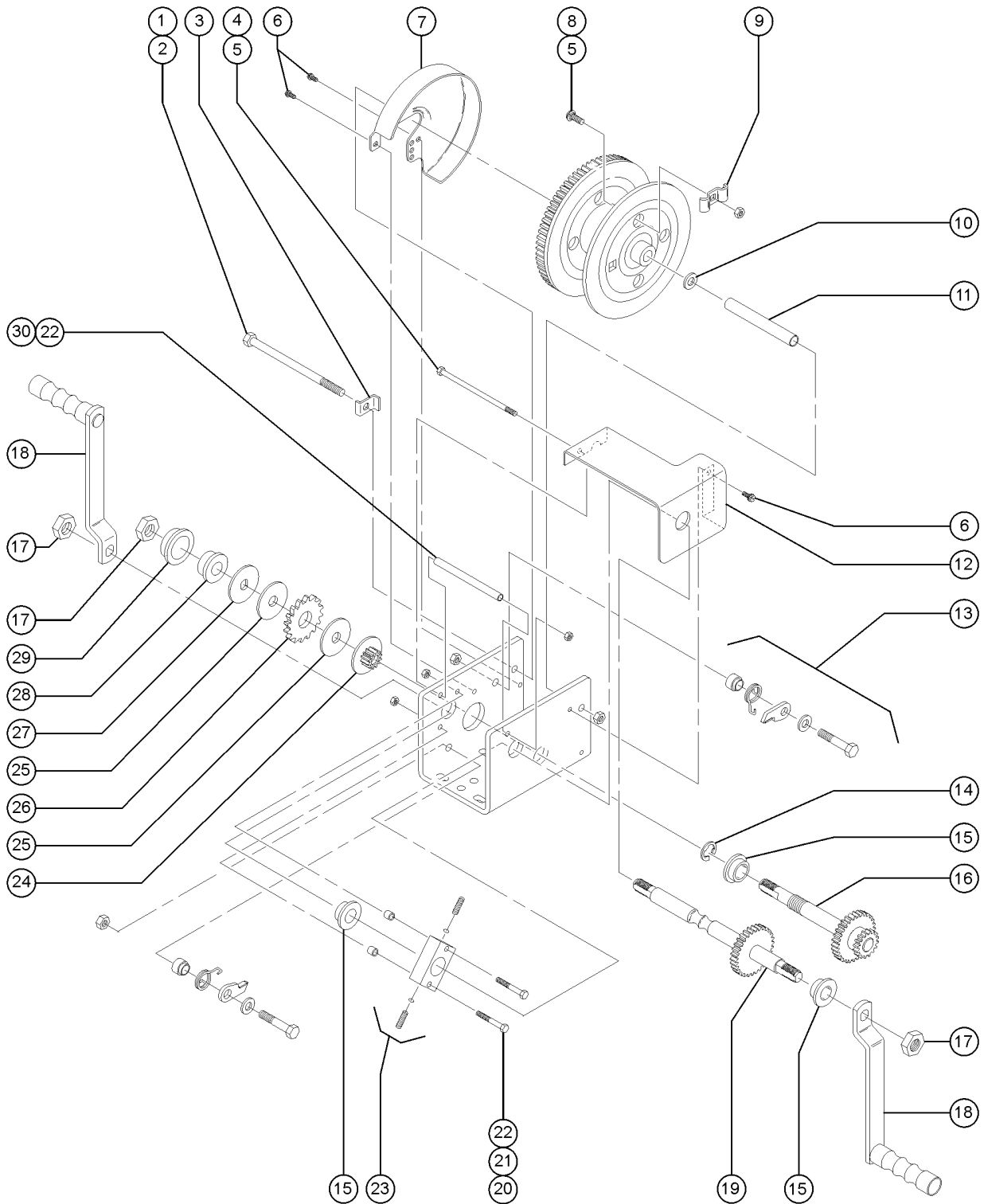
<i>Item</i>	<i>Part No.</i>	<i>Description</i>	<i>Qty.</i>
18		SPACER, PINION SHAFT (32890) (component no longer available)	1
19		WINCH PINION PLATE, K-1550 (7591) (component no longer available)	1
20		RATCHET GEAR, K-1550 1/2" I.D. (6777) (component no longer available)	1

306.1 Winch Components, Two-speed



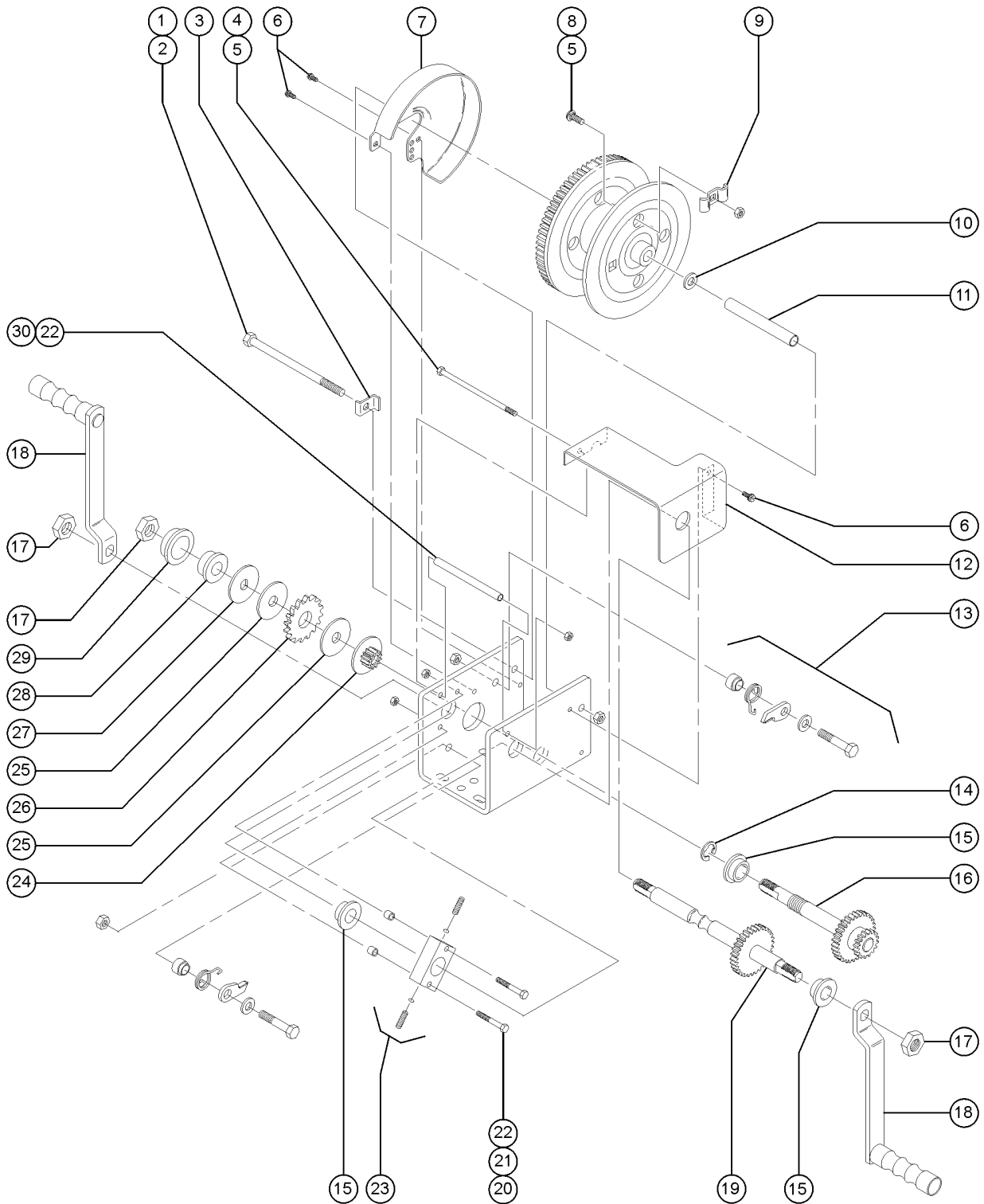
Item	Part No.	Description	Qty.
	32946GT	WINCH W/DECAL,2 SPEED*** USA, Canada and Australia models (word decals)	
	107495GT	WINCH ASSY, TWO SPD, SYM DECAL Asia, South America and Europe models	
	40130GT	CABLE KEEPER KIT (33090) includes items 5, 8 and 9	
1	78037GT	SCREW,HHC,3/8-16 X 5.5	
2	4828GT	NUT,NYLOCK,3/8-16	
3	80145GT	LOCK-BOLT, REEL (80056)	1
4	80146GT	SCREW,HHC,1/4-20 X 5.25(80056)	
5	6091GT	NUT,NYLOCK,1/4-20	
6	80147GT	SCREW-THRD FORM,HH-SLT, 1/2"	
7	80148GT	COVER - REEL (80056)	1
8	80149GT	BOLT,CARRIAGE,1/4-20 X .5,G2	
9	37065GT	CABLE KEEPER, DLB800	1
10	80150GT	WASHER-FLAT, 1/2" (80056)	
11	40113GT	REEL SPACER	1
12	80151GT	COVER-GEAR (80056)	1
13	40117GT	RATCHET PAWL KIT, (33090)	1
13-	8516GT	SCREW, HCC, 3/8-16 X 1.50	
13-	5397GT	WASHER,FLAT,USS,5/16",Y	
13-	80154GT	PAWL-RATCHET (80056)	
13-	80153GT	SPRING-RATCHET (80056)	
13-	80152GT	SPACER-RATCHET (80056)	
13-	4828GT	NUT,NYLOCK,3/8-16	
14	40116GT	E-RING, 3/4	1
15	40126GT	BEARING, SINTERED IRON, 3/4	
16	80155GT	SHAFT ASSY,INTERMED. (80056)	1
17	38028GT	NUT,LP NYLOCK,5/8-11	
18	40125GT	HANDLE ASSY., 8-INCH, OFFSET	2
19	72264GT	SHAFT ASSY, PRIMARY	1

306.1 Winch Components, Two-speed



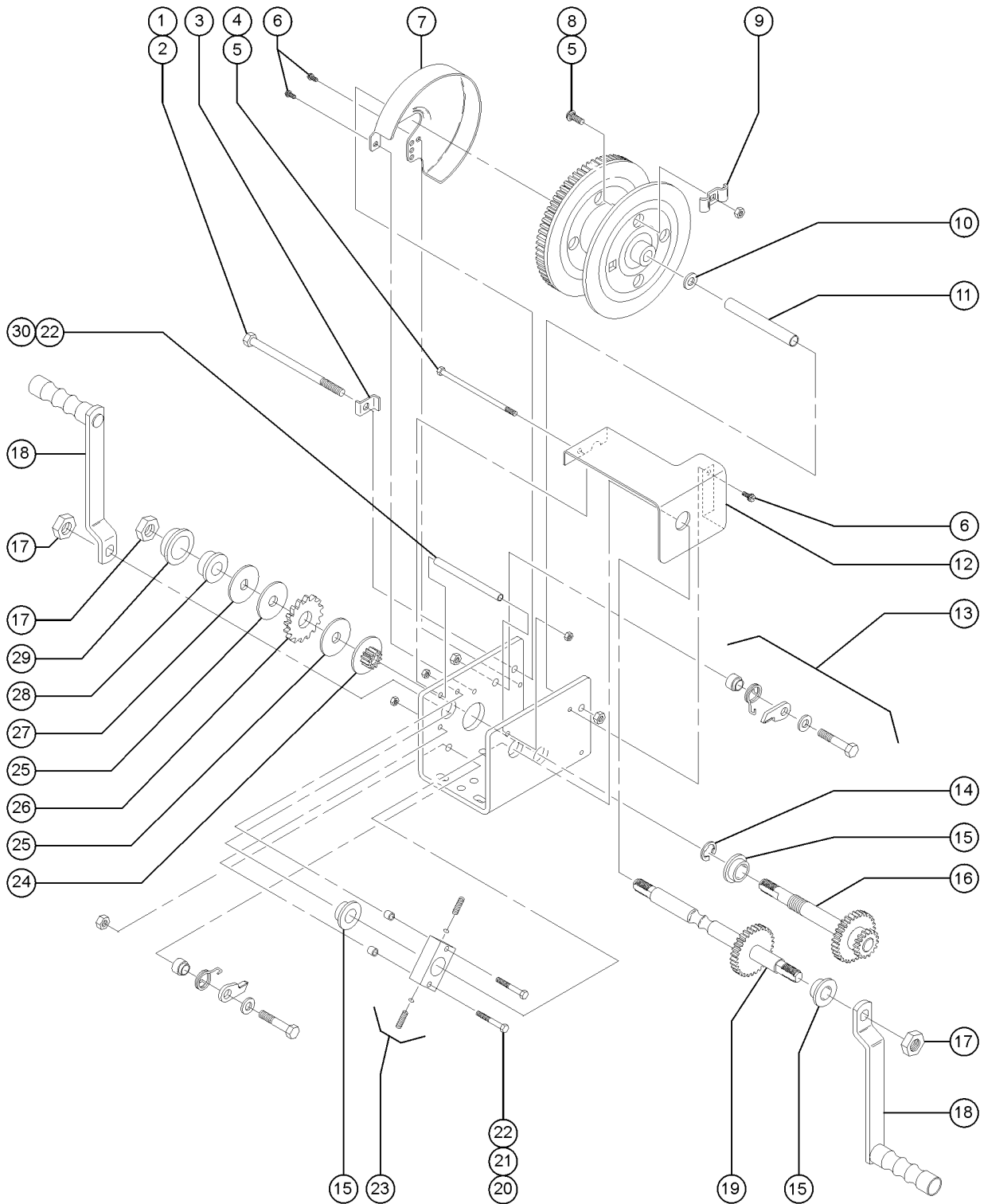
Item	Part No.	Description	Qty.
20	6145GT	SCREW,HHC,1/4-20 X 1.5	
21	40115GT	BRAKE SPRING SPACER	2
22	6889GT	NUT,LP NYLOCK,1/4-20	
23	40127GT	DETENT BLOCK ASSY	1
23-	40509GT	DETENT SPRING	2
23-	40510GT	DETENT BALL	2
23-	80156GT	BLOCK-DETENT (80056)	1
24	80157GT	GEAR-PINION (80056)	1
25	37061GT	BRAKE FACE,DLB800	2
26	37062GT	RATCHET GEAR, DLB800	1
27	40122GT	WASHER,DOUBLE D.	1
28	40123GT	SPACER	1
29	37064GT	BUSHING,PINION SHAFT,DLB800*	1
30	40128GT	BASE SPACER	1

306.2 Winch Components, Two-speed



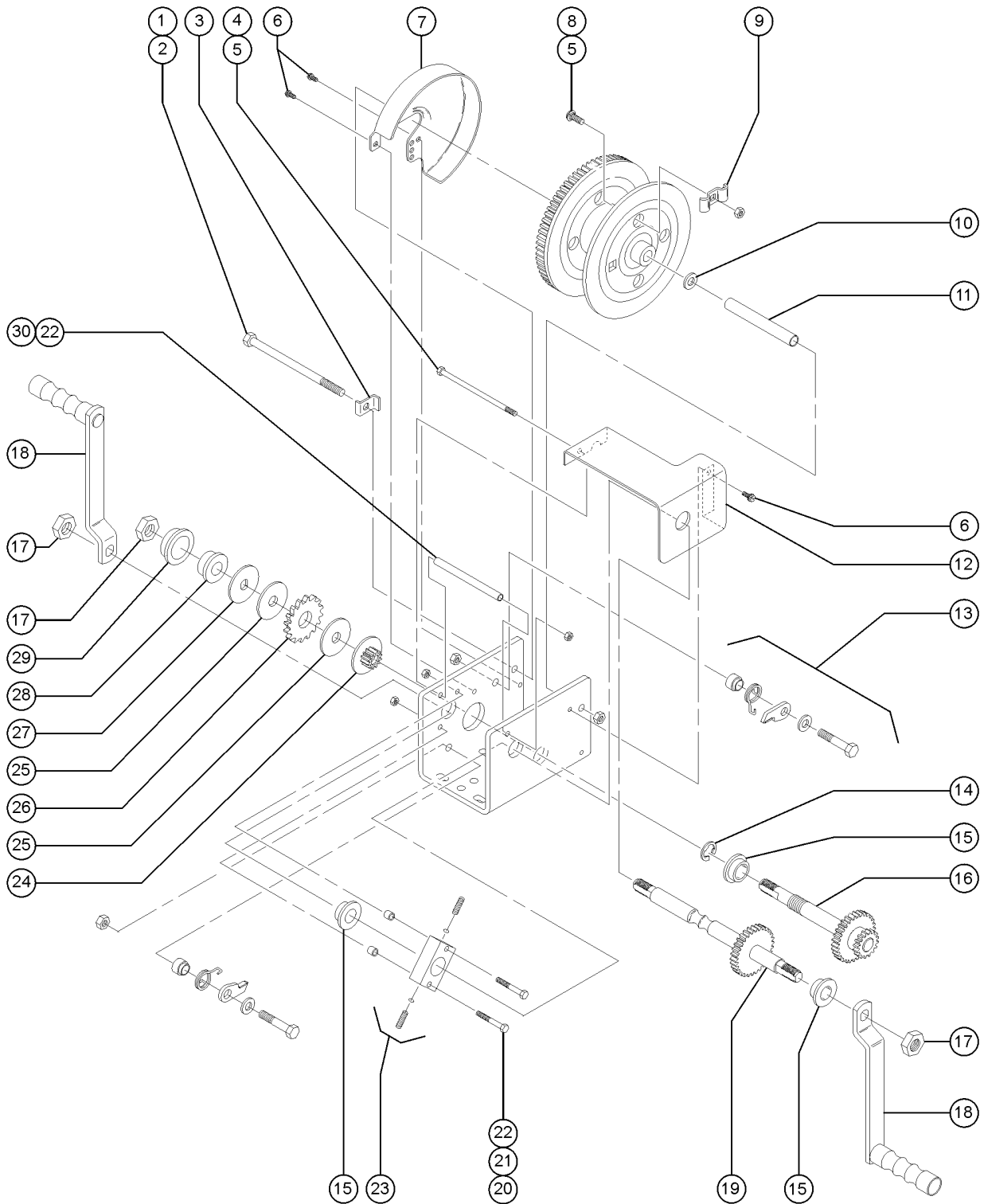
Item	Part No.	Description	Qty.
	32946GT	WINCH W/DECAL,2 SPEED*** USA, Canada and Australia models (word decals)	
	107495GT	WINCH ASSY, TWO SPD, SYM DECAL Asia, South America and Europe models	
	40130GT	CABLE KEEPER KIT (33090) includes items 5, 8 and 9	
1	78037GT	SCREW,HHC,3/8-16 X 5.5	
2	4828GT	NUT,NYLOCK,3/8-16	
3	80145GT	LOCK-BOLT, REEL (80056)	1
4	80146GT	SCREW,HHC,1/4-20 X 5.25(80056)	
5	6091GT	NUT,NYLOCK,1/4-20	
6	80147GT	SCREW-THRD FORM,HH-SLT, 1/2"	
7	80148GT	COVER - REEL (80056)	1
8	80149GT	BOLT,CARRIAGE,1/4-20 X .5,G2	
9	37065GT	CABLE KEEPER, DLB800	1
10	80150GT	WASHER-FLAT, 1/2" (80056)	
11	40113GT	REEL SPACER	1
12	80151GT	COVER-GEAR (80056)	1
13	40117GT	RATCHET PAWL KIT, (33090)	1
13-	8516GT	SCREW, HCC, 3/8-16 X 1.50	
13-	5397GT	WASHER,FLAT,USS,5/16",Y	
13-	80154GT	PAWL-RATCHET (80056)	
13-	80153GT	SPRING-RATCHET (80056)	
13-	80152GT	SPACER-RATCHET (80056)	
13-	4828GT	NUT,NYLOCK,3/8-16	
14	40116GT	E-RING, 3/4	1
15	40126GT	BEARING, SINTERED IRON, 3/4	
16	80155GT	SHAFT ASSY,INTERMED. (80056)	1
17	38028GT	NUT,LP NYLOCK,5/8-11	
18	40125GT	HANDLE ASSY., 8-INCH, OFFSET	2
19	72264GT	SHAFT ASSY, PRIMARY	1

306.2 Winch Components, Two-speed



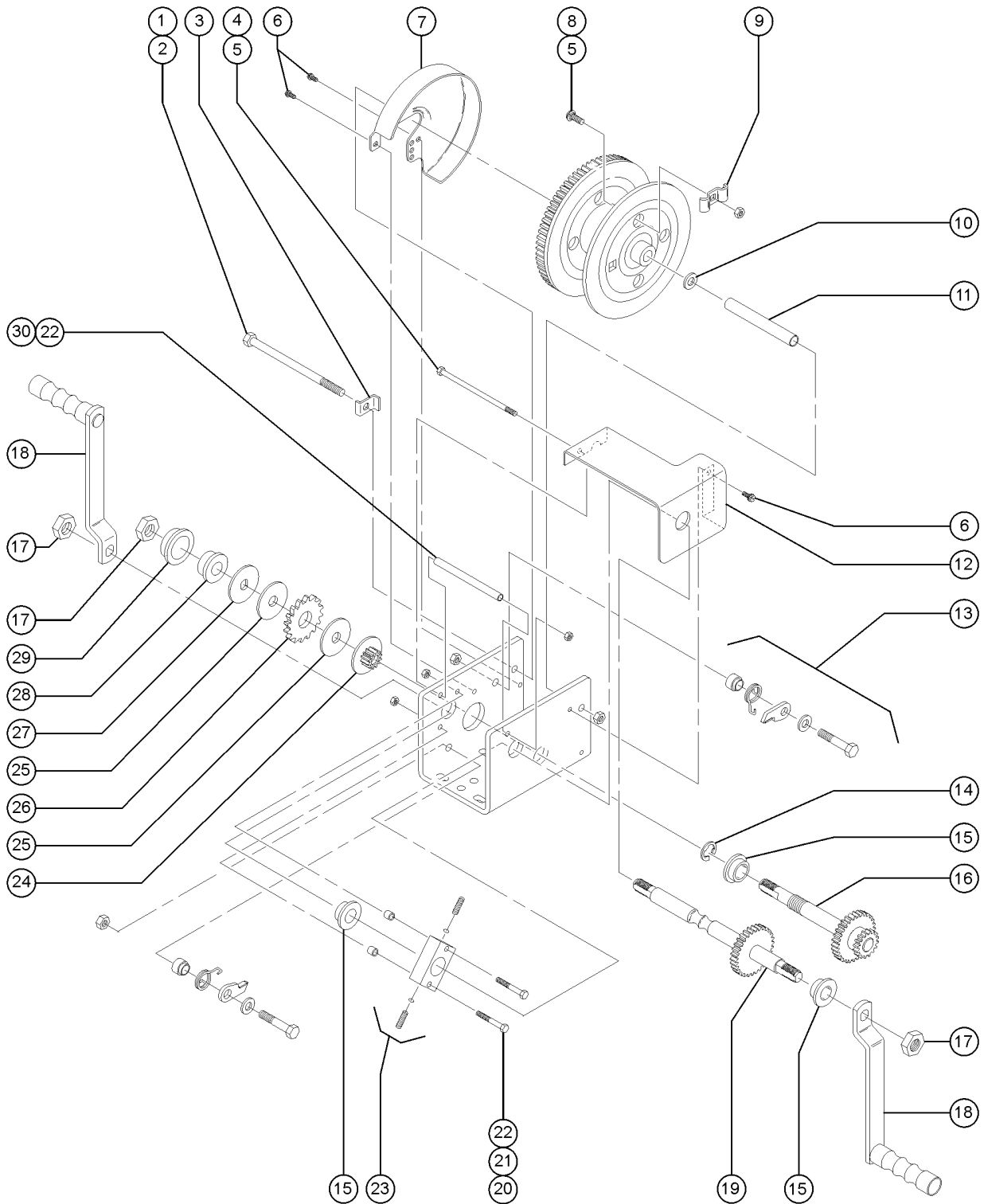
Item	Part No.	Description	Qty.
20	6145GT	SCREW,HHC,1/4-20 X 1.5	
21	40115GT	BRAKE SPRING SPACER	2
22	6889GT	NUT,LP NYLOCK,1/4-20	
23	40127GT	DETENT BLOCK ASSY	1
23-	40509GT	DETENT SPRING	2
23-	40510GT	DETENT BALL	2
23-	80156GT	BLOCK-DETENT (80056)	1
24	80157GT	GEAR-PINION (80056)	1
25	37061GT	BRAKE FACE,DLB800	2
26	37062GT	RATCHET GEAR, DLB800	1
27	40122GT	WASHER,DOUBLE D.	1
28	40123GT	SPACER	1
29	37064GT	BUSHING,PINION SHAFT,DLB800*	1
30	40128GT	BASE SPACER	1

306.3 Winch Components, Two-speed



Item	Part No.	Description	Qty.
	32946GT	WINCH W/DECAL,2 SPEED*** USA, Canada and Australia models (word decals)	
	107495GT	WINCH ASSY, TWO SPD, SYM DECAL Asia, South America and Europe models	
	40130GT	CABLE KEEPER KIT (33090) includes items 5, 8 and 9	
1	78037GT	SCREW,HHC,3/8-16 X 5.5	
2	4828GT	NUT,NYLOCK,3/8-16	
3	80145GT	LOCK-BOLT, REEL (80056)	1
4	80146GT	SCREW,HHC,1/4-20 X 5.25(80056)	
5	6091GT	NUT,NYLOCK,1/4-20	
6	80147GT	SCREW-THRD FORM,HH-SLT, 1/2"	
7	80148GT	COVER - REEL (80056)	1
8	80149GT	BOLT,CARRIAGE,1/4-20 X .5,G2	
9	37065GT	CABLE KEEPER, DLB800	1
10	80150GT	WASHER-FLAT, 1/2" (80056)	
11	40113GT	REEL SPACER	1
12	80151GT	COVER-GEAR (80056)	1
13	40117GT	RATCHET PAWL KIT, (33090)	1
13-	8516GT	SCREW, HCC, 3/8-16 X 1.50	
13-	5397GT	WASHER,FLAT,USS,5/16",Y	
13-	80154GT	PAWL-RATCHET (80056)	
13-	80153GT	SPRING-RATCHET (80056)	
13-	80152GT	SPACER-RATCHET (80056)	
13-	4828GT	NUT,NYLOCK,3/8-16	
14	40116GT	E-RING, 3/4	1
15	40126GT	BEARING, SINTERED IRON, 3/4	
16	80155GT	SHAFT ASSY,INTERMED. (80056)	1
17	38028GT	NUT,LP NYLOCK,5/8-11	
18	40125GT	HANDLE ASSY., 8-INCH, OFFSET	2
19	72264GT	SHAFT ASSY, PRIMARY	1

306.3 Winch Components, Two-speed

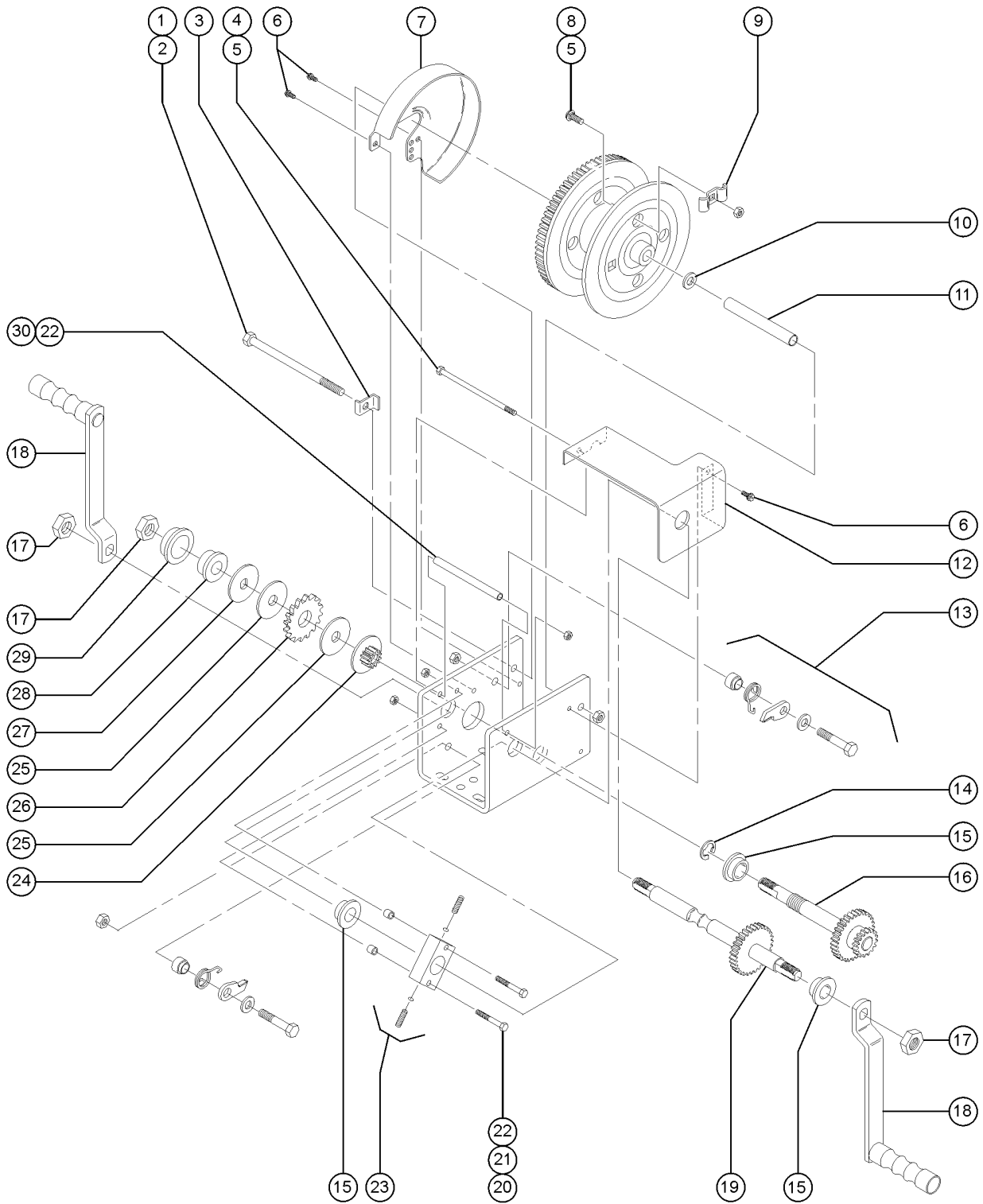


Item	Part No.	Description	Qty.
20	6145GT	SCREW,HHC,1/4-20 X 1.5	
21	40115GT	BRAKE SPRING SPACER	2
22	6889GT	NUT,LP NYLOCK,1/4-20	
23	40127GT	DETENT BLOCK ASSY	1
23-	40509GT	DETENT SPRING	2
23-	40510GT	DETENT BALL	2
23-	80156GT	BLOCK-DETENT (80056)	1
24	80157GT	GEAR-PINION (80056)	1
25	37061GT	BRAKE FACE,DLB800	2
26	37062GT	RATCHET GEAR, DLB800	1
27	40122GT	WASHER,DOUBLE D.	1
28	40123GT	SPACER	1
29	37064GT	BUSHING,PINION SHAFT,DLB800*	1
30	40128GT	BASE SPACER	1



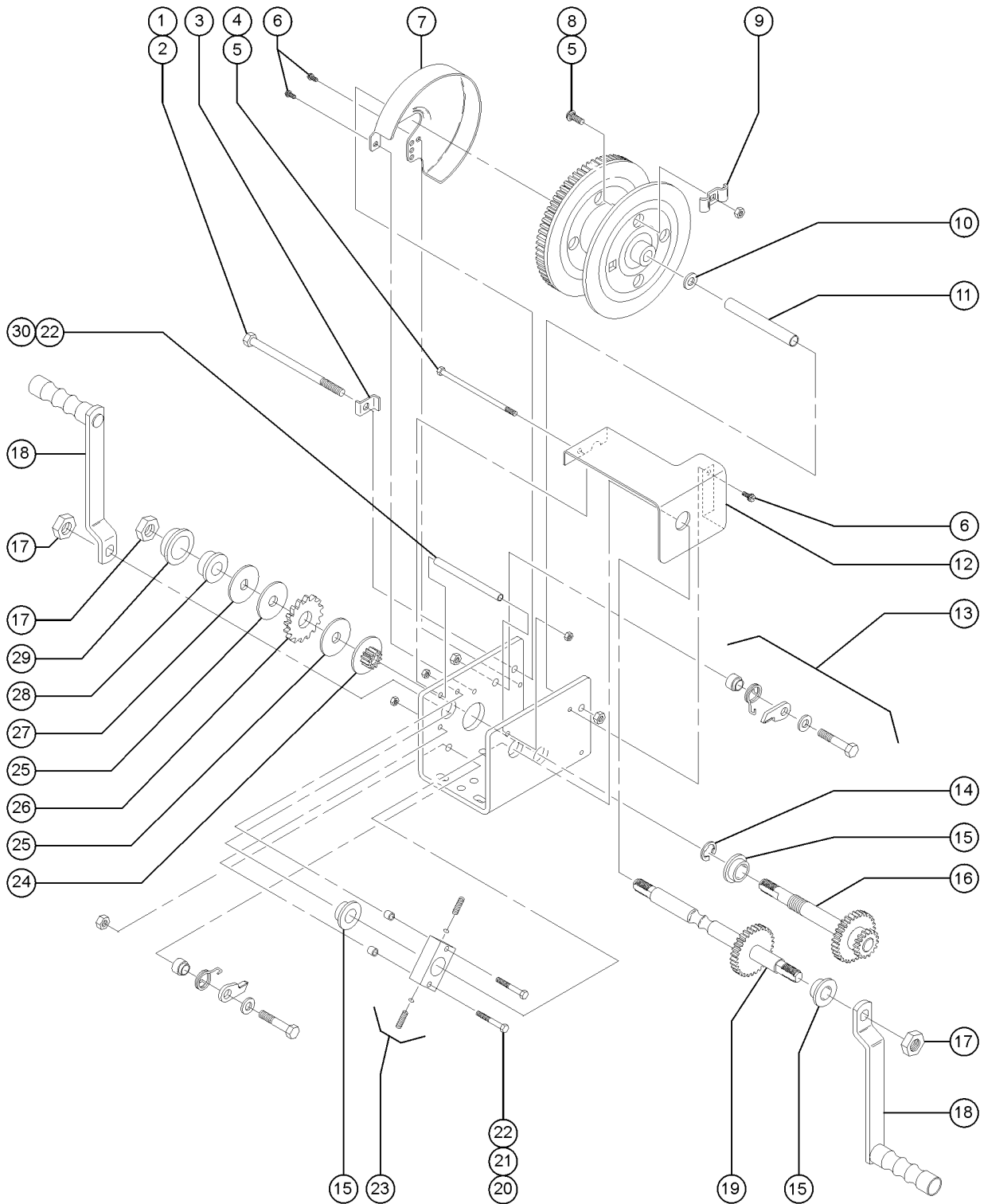
A TORONTO BRAND

306.4 Winch Components, Two-speed



Item	Part No.	Description	Qty.
	32946GT	WINCH W/DECAL,2 SPEED*** USA, Canada and Australia models (word decals)	
	107495GT	WINCH ASSY, TWO SPD, SYM DECAL Asia, South America and Europe models	
	40130GT	CABLE KEEPER KIT (33090) includes items 5, 8 and 9	
1	78037GT	SCREW,HHC,3/8-16 X 5.5	
2	4828GT	NUT,NYLOCK,3/8-16	
3	80145GT	LOCK-BOLT, REEL (80056)	1
4	80146GT	SCREW,HHC,1/4-20 X 5.25(80056)	
5	6091GT	NUT,NYLOCK,1/4-20	
6	80147GT	SCREW-THRD FORM,HH-SLT, 1/2"	
7	80148GT	COVER - REEL (80056)	1
8	80149GT	BOLT,CARRIAGE,1/4-20 X .5,G2	
9	37065GT	CABLE KEEPER, DLB800	1
10	80150GT	WASHER-FLAT, 1/2" (80056)	
11	40113GT	REEL SPACER	1
12	80151GT	COVER-GEAR (80056)	1
13	40117GT	RATCHET PAWL KIT, (33090)	1
13-	8516GT	SCREW, HCC, 3/8-16 X 1.50	
13-	5397GT	WASHER,FLAT,USS,5/16",Y	
13-	80154GT	PAWL-RATCHET (80056)	
13-	80153GT	SPRING-RATCHET (80056)	
13-	80152GT	SPACER-RATCHET (80056)	
13-	4828GT	NUT,NYLOCK,3/8-16	
14	40116GT	E-RING, 3/4	1
15	40126GT	BEARING, SINTERED IRON, 3/4	
16	80155GT	SHAFT ASSY,INTERMED. (80056)	1
17	38028GT	NUT,LP NYLOCK,5/8-11	
18	40125GT	HANDLE ASSY., 8-INCH, OFFSET	2
19	72264GT	SHAFT ASSY, PRIMARY	1

306.4 Winch Components, Two-speed

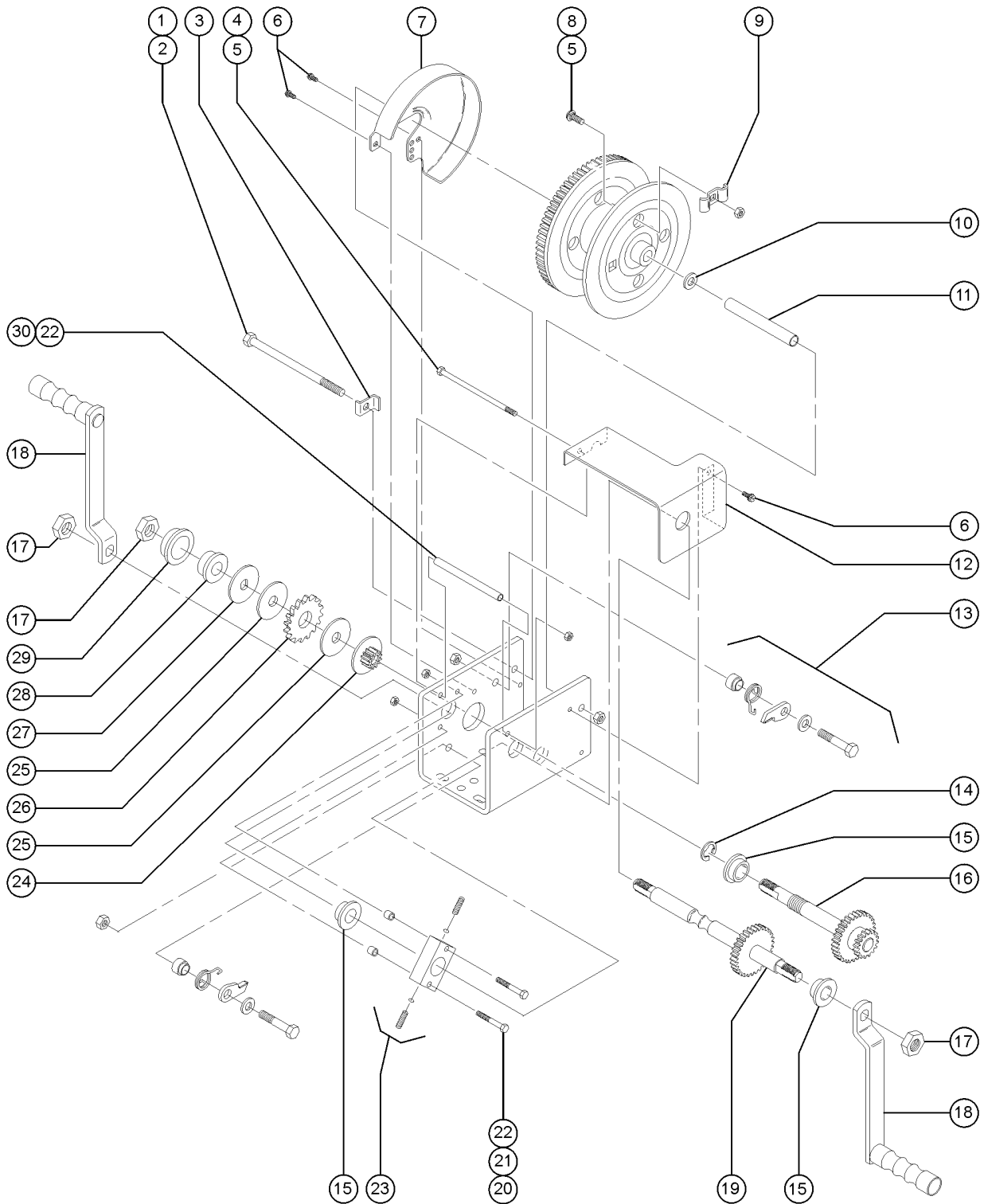


Item	Part No.	Description	Qty.
20	6145GT	SCREW,HHC,1/4-20 X 1.5	
21	40115GT	BRAKE SPRING SPACER	2
22	6889GT	NUT,LP NYLOCK,1/4-20	
23	40127GT	DETENT BLOCK ASSY	1
23-	40509GT	DETENT SPRING	2
23-	40510GT	DETENT BALL	2
23-	80156GT	BLOCK-DETENT (80056)	1
24	80157GT	GEAR-PINION (80056)	1
25	37061GT	BRAKE FACE,DLB800	2
26	37062GT	RATCHET GEAR, DLB800	1
27	40122GT	WASHER,DOUBLE D.	1
28	40123GT	SPACER	1
29	37064GT	BUSHING,PINION SHAFT,DLB800*	1
30	40128GT	BASE SPACER	1



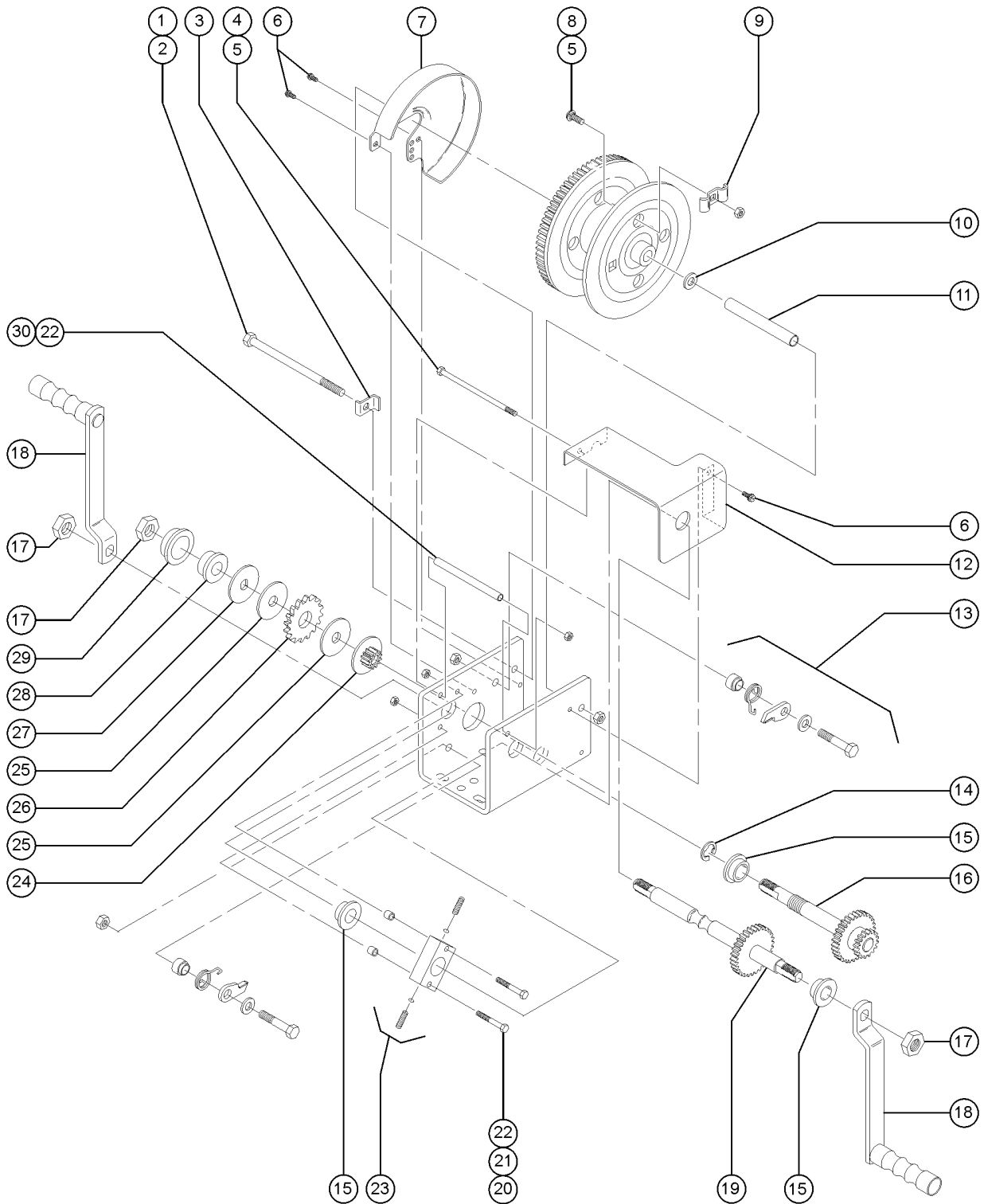
A TORONTO BRAND

306.5 Winch Components, Two-speed



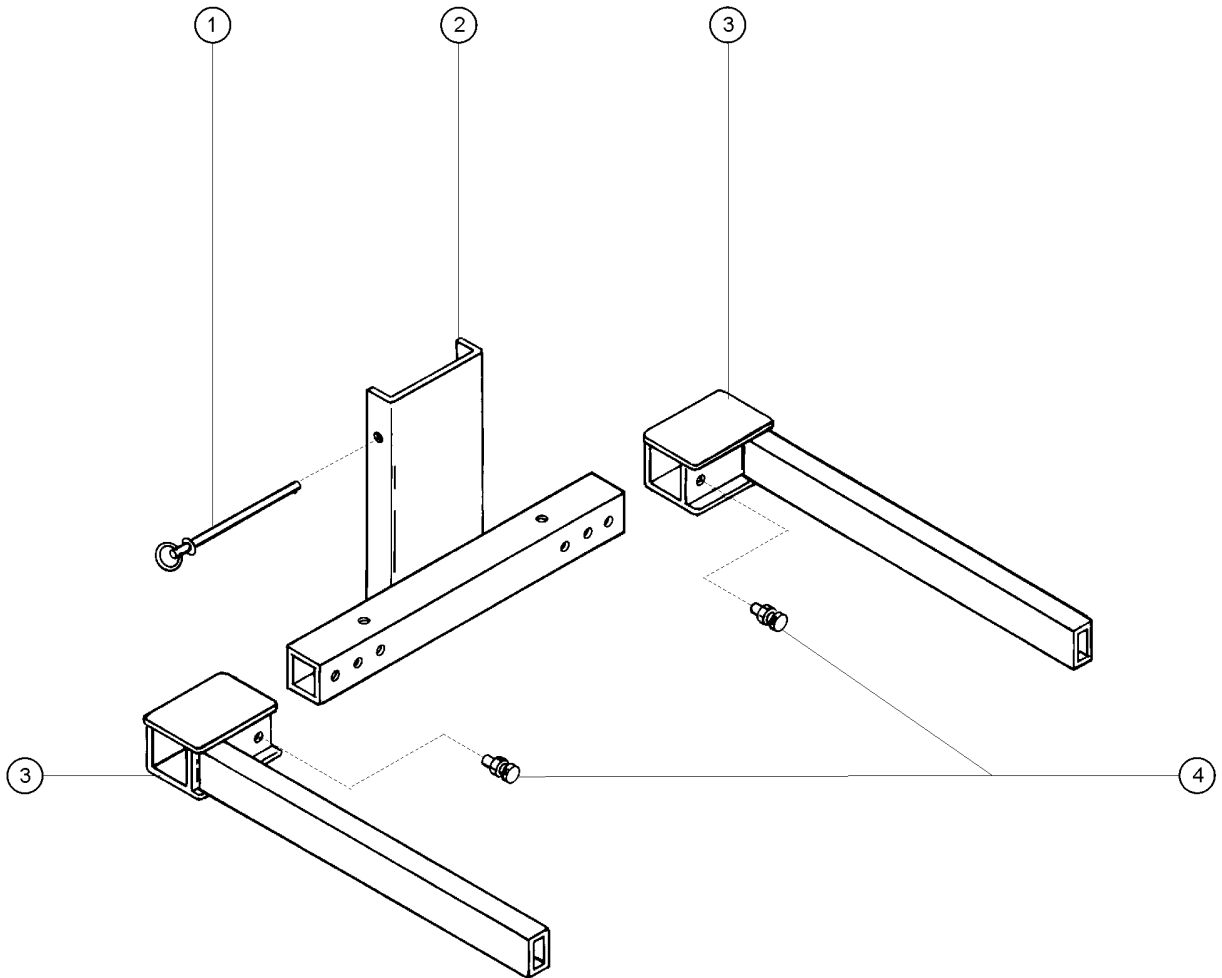
Item	Part No.	Description	Qty.
	32946GT	WINCH W/DECAL,2 SPEED*** USA, Canada and Australia models (word decals)	
	107495GT	WINCH ASSY, TWO SPD, SYM DECAL Asia, South America and Europe models	
	40130GT	CABLE KEEPER KIT (33090) includes items 5, 8 and 9	
1	78037GT	SCREW,HHC,3/8-16 X 5.5	
2	4828GT	NUT,NYLOCK,3/8-16	
3	80145GT	LOCK-BOLT, REEL (80056)	1
4	80146GT	SCREW,HHC,1/4-20 X 5.25(80056)	
5	6091GT	NUT,NYLOCK,1/4-20	
6	80147GT	SCREW-THRD FORM,HH-SLT, 1/2"	
7	80148GT	COVER - REEL (80056)	1
8	80149GT	BOLT,CARRIAGE,1/4-20 X .5,G2	
9	37065GT	CABLE KEEPER, DLB800	1
10	80150GT	WASHER-FLAT, 1/2" (80056)	
11	40113GT	REEL SPACER	1
12	80151GT	COVER-GEAR (80056)	1
13	40117GT	RATCHET PAWL KIT, (33090)	1
13-	8516GT	SCREW, HCC, 3/8-16 X 1.50	
13-	5397GT	WASHER,FLAT,USS,5/16",Y	
13-	80154GT	PAWL-RATCHET (80056)	
13-	80153GT	SPRING-RATCHET (80056)	
13-	80152GT	SPACER-RATCHET (80056)	
13-	4828GT	NUT,NYLOCK,3/8-16	
14	40116GT	E-RING, 3/4	1
15	40126GT	BEARING, SINTERED IRON, 3/4	
16	80155GT	SHAFT ASSY,INTERMED. (80056)	1
17	38028GT	NUT,LP NYLOCK,5/8-11	
18	40125GT	HANDLE ASSY., 8-INCH, OFFSET	2
19	72264GT	SHAFT ASSY, PRIMARY	1

306.5 Winch Components, Two-speed



Item	Part No.	Description	Qty.
20	6145GT	SCREW,HHC,1/4-20 X 1.5	
21	40115GT	BRAKE SPRING SPACER	2
22	6889GT	NUT,LP NYLOCK,1/4-20	
23	40127GT	DETENT BLOCK ASSY	1
23-	40509GT	DETENT SPRING	2
23-	40510GT	DETENT BALL	2
23-	80156GT	BLOCK-DETENT (80056)	1
24	80157GT	GEAR-PINION (80056)	1
25	37061GT	BRAKE FACE,DLB800	2
26	37062GT	RATCHET GEAR, DLB800	1
27	40122GT	WASHER,DOUBLE D.	1
28	40123GT	SPACER	1
29	85182GT	SINTERED IRON BEARING,1-1/4**	1
30	40128GT	BASE SPACER	1

401.1 Adjustable Forks

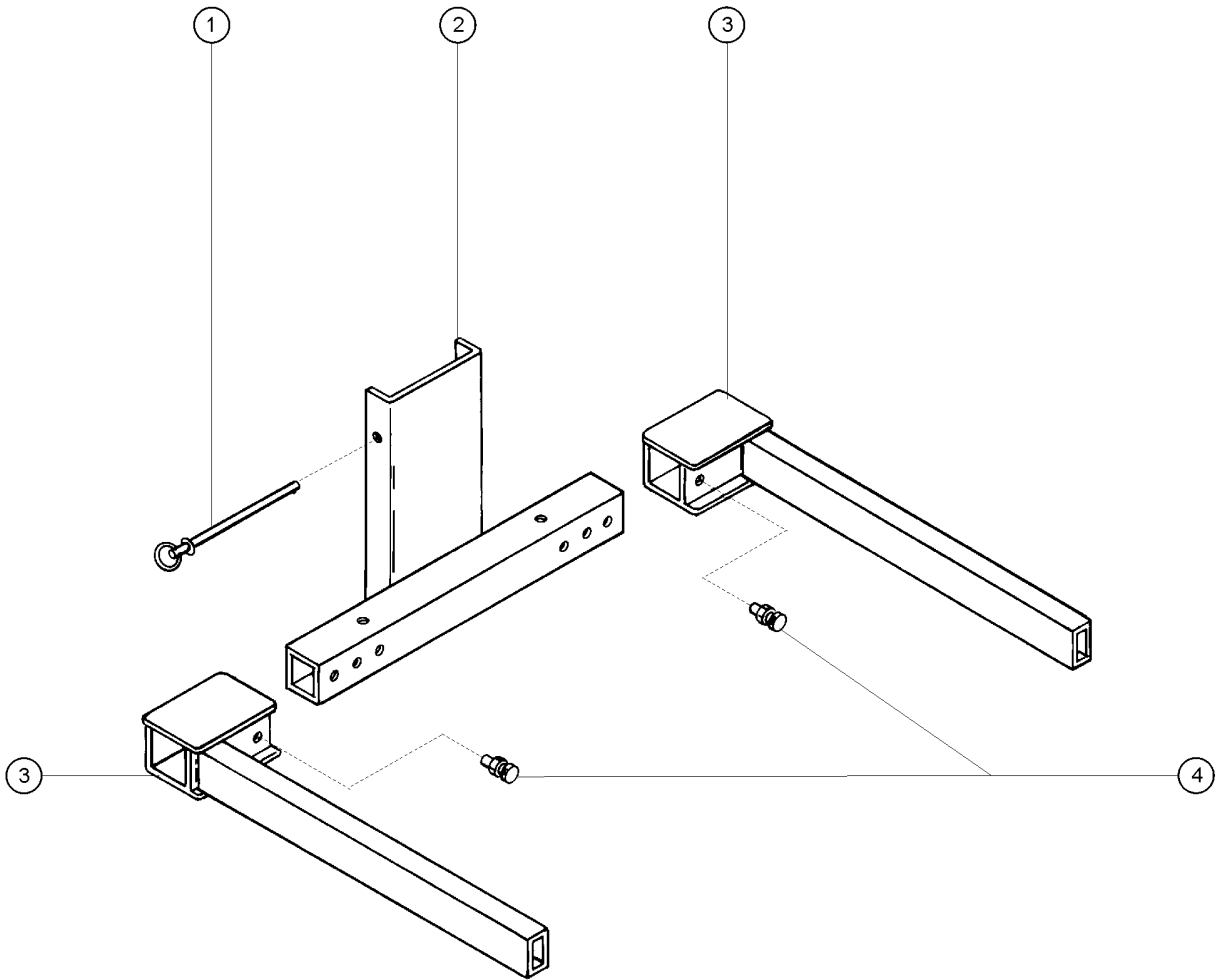


Item	Part No.	Description	Qty.
	33543-SGT	SLC, ADJ FORK ASSEMBLY	
1	48301GT	PIN, TOGGLE, .50 X 8.13***	1
2	33542GT	CARRIER - ADJ. FORK, SLC	1
		USA, Canada and Australia models	
2A	107221GT	ADJUSTABLE FORK CARRIER W/DECA	
		Asia, South America and Europe models	
3	33707-SGT	WELDMENT, ARM ADJ. FORK, "GRAY"	2
4	32375GT	PIN, LOCK, LONG***	2
		(course thread)	
4A	33674GT	PIN, LOCK, SHORT***	
		(fine thread)	
4B	35830GT	SNAP PIN, KIT (AWP, SLA & C, ST2)	
		(contains 33674 and 32375, 1 each)	
5	35220GT	SLC, LOAD PLATFORM ASSY.	
		(complete) (not shown) measures 23 x 26 inches	
5-	15268GT	INSERT-LOAD PLATFORM	1
		for 35220	
5-	32775GT	DECAL, WARNING, FALL HAZARD	1
		for 35220	
5-	33468GT	DECAL, WARNING, NO RIDERS	1
		for 35220	
6	58158GT	SL FORK EXT KIT	
		(complete) (not shown)	
6-	33366-SGT	FORK EXTENSION, SINGLE***	2
		for 33650	
6-	80679GT	PIN, BALL RET. -.5 X 2.7	2
		for 33650	



A TORCO BRAND

401.2 Adjustable Forks



Item	Part No.	Description	Qty.
	33543-SGT	SLC, ADJ FORK ASSEMBLY	
1	48301GT	PIN, TOGGLE, .50 X 8.13***	1
2	33542GT	CARRIER - ADJ. FORK, SLC USA, Canada and Australia models	1
2A	107221GT	ADJUSTABLE FORK CARRIER W/DECA Asia, South America and Europe models	
3	33707-SGT	WELDMENT, ARM ADJ. FORK, "GRAY"	2
4	32375GT	PIN, LOCK, LONG*** (course thread)	2
4A	33674GT	PIN, LOCK, SHORT*** (fine thread)	
4B	35830GT	SNAP PIN, KIT (AWP, SLA & C, ST2) (contains 33674 and 32375, 1 each)	



Part no.	Page Number	Part no.	Page Number	Part no.	Page Number
2163GT	33, 37, 41, 45, 47	10587GT	63, 65, 67, 69, 71, 73	32946GT	109, 113, 117, 121, 125
2238GT	33, 37, 41, 45, 49	10597GT	75, 77, 79, 81, 83, 85...	32965GT	51, 53, 75, 77
4500GT	89, 93, 97, 101, 105	10598GT	27, 33, 37, 41, 45, 49	32966GT	63, 65, 75, 77
4517GT	89, 93, 97, 101, 105	12013GT	51, 53, 55, 57, 59, 61	32971GT	25
4518GT	89, 93, 97, 101, 105	12402GT	63, 65, 67, 69, 71, 73...	32972GT	27
4828GT	25, 53, 75, 77, 79, 81... 87, 109, 113, 117, 121, 125	13005GT	31, 35, 39, 43, 47	33144GT	89, 93, 97, 101, 105
5397GT	25, 31, 35, 39, 43, 47...	15268GT	129	33151GT	27
6019GT	25	17712GT	51, 53, 55, 57, 59, 61	33152-SGT	25
6021GT	27	21442GT	51, 53, 55, 57, 59, 61	33191GT	31, 35, 39, 43, 47
6033GT	27	22736GT	27	33306GT	25
6034GT	27, 91, 93, 97, 101, 105	22788GT	87	33307GT	25
6052GT	51, 53, 55, 57, 59, 61...	25625GT	89	33308GT	53, 55, 77, 79, 81
6082GT	25	27865GT	11, 13	33366-SGT	129
6086GT	33, 37, 41, 45, 49, 51... 109, 113, 117, 121, 125	31072GT	13	33385GT	33, 37, 41, 45, 49
6091GT	27, 51, 53, 55, 57, 59...	31075GT	11	33420GT	75, 77, 79, 81, 83, 85
6095GT	25, 75, 77, 79, 81, 83... 111, 115, 119, 123, 127	31822GT	31, 35, 39, 43, 47	33468GT	11, 13, 129
6097GT	31, 35, 39, 43, 47	32375GT	25, 31, 35, 39, 43, 47...	33493GT	13
6145GT	89, 93, 97, 101, 105	32469GT	75, 77, 79, 81, 83, 85	33498GT	11, 13, 15, 17, 19, 21...
6175GT	91, 93, 97, 101, 105	32470GT	75, 77, 79, 81, 83, 85	33539GT	31, 35, 39, 43, 47
6184GT	89, 93, 97, 101, 105	32473GT	31, 35, 39, 43, 47, 51...	33540GT	33, 37, 41, 45, 49
6185GT	27, 53, 65	32474GT	51, 53, 55, 57, 59, 61...	33542GT	129, 131
6190GT	27	32475GT	51, 53, 55, 57, 59, 61...	33543-SGT	129, 131
6198GT	33, 37, 41, 45, 49	32476GT	75, 77, 79, 81, 83, 85	33652PGT	27
6356GT	33, 37, 41, 45, 49	32481GT	51, 53, 55, 57, 59, 61	33653PGT	31, 35, 39, 43, 47
6564GT	33, 37, 41, 45, 49	32483GT	31, 35, 39, 43, 47, 75...	33663PGT	31, 35, 39, 43, 47
6587GT	31, 35, 39, 43, 47	32522GT	51, 53, 55, 57, 59, 61	33670GT	25
6600GT	31, 35, 39, 43, 47	32576GT	25	33673GT	25
6638GT	31, 35, 39, 43, 47	32645GT	29	33674GT	31, 35, 39, 43, 47, 129
6653GT	31, 35, 39, 43, 47	32714GT	11	33700GT	75, 77, 79, 81, 83, 85
6714GT	25	32770GT	11, 13	33707-SGT	129, 131
6724GT	11	32775GT	129	33720GT	31, 35, 39, 43, 47
6770GT	89, 93, 97, 101, 105	32885GT	11, 13	33781GT	27
6782GT	89, 93, 97, 101, 105	32904GT	63, 65, 67, 69, 71, 73...	33811GT	51, 53, 55, 57, 59, 61
6825GT	25	32905GT	63, 65, 67, 69, 71, 73...	33843GT	31, 35, 39, 43, 47
6889GT	111, 115, 119, 123, 127	32926GT	11	35100GT	51, 53
7256GT	89, 93, 97, 101, 105	32927GT	11, 13, 15, 17, 19, 21...	35101GT	51, 53, 55, 57, 59, 61
7265GT	31, 35, 39, 43, 47	32928GT	11, 13, 15, 17, 19, 21...	35105GT	51, 53, 75, 77
7713GT	31, 35, 39, 43, 47	32929GT	11, 13	35220GT	129
8178GT	25	32934GT	11, 13	35254GT	51, 53
8214GT	25	32938GT	11, 13	35480GT	53, 55, 77, 79
8255GT	75, 77, 79, 81, 83, 85... 25, 89, 93, 97, 101, 105	32939GT	11, 13	35484GT	65, 67, 77, 79
8516GT	89, 93, 97, 101, 105	32945GT	89, 93, 97, 101, 105	35734GT	89, 93, 97, 101, 105

<u>Part no.</u>	<u>Page Number</u>	<u>Part no.</u>	<u>Page Number</u>	<u>Part no.</u>	<u>Page Number</u>
35814GT	47	80148GT	109, 113, 117, 121,	124007GT	27
35830GT	25, 31, 35, 39, 43, 47...	80149GT	109, 113, 117, 121,	124163GT	27
37061GT	111, 115, 119, 123,	80150GT	109, 113, 117, 121,	124511GT	25
37062GT	117, 115, 119, 123,	80151GT	109, 113, 117, 121,	124552GT	25, 27
37064GT	111, 115, 119, 123	80152GT	109, 113, 117, 121,	124568GT	25
37065GT	109, 113, 117, 121,	80153GT	109, 113, 117, 121,	124569GT	25
38028GT	109, 113, 117, 121,	80154GT	109, 113, 117, 121,	124792GT	27
40113GT	109, 113, 117, 121,	80155GT	109, 113, 117, 121,	124793GT	27
40115GT	117, 115, 119, 123,	80156GT	111, 115, 119, 123,	124821GT	49
40116GT	109, 113, 117, 121,	80157GT	117, 115, 119, 123,	1251619GT	87
40117GT	109, 113, 117, 121,	80159GT	177	1254648GT	87
40122GT	89	80160GT	89	1254649GT	87
40123GT	117, 115, 119, 123,	80161GT	89	1256083GT	89, 93, 97, 101, 105
40125GT	117, 115, 119, 123,	80679GT	31, 35, 39, 43, 47, 129	1256136GT	87
40126GT	109, 113, 117, 121,	80680GT	85	1257074GT	31, 35, 39, 43, 47, 51...
40127GT	111, 115, 119, 123,	80939GT	23	1257075GT	31, 35, 39, 43, 47, 51...
40128GT	117, 115, 119, 123,	80987GT	63, 65, 67, 69, 71, 73	1257466GT	87
40130GT	109, 113, 117, 121,	82487GT	15, 17, 19, 21, 23		
40458GT	175	82964GT	15, 17, 19, 21, 23		
40509GT	89, 93, 97, 101, 105	85182GT	127		
40510GT	111, 115, 119, 123,	90337GT	51, 53, 55, 57, 59		
40658GT	117, 115, 119, 123,	97529GT	13		
48301GT	177	97532GT	15, 17, 19, 21, 23		
49364GT	33, 37, 41, 45, 49	97539GT	15, 17, 19, 21, 23		
49377GT	129, 131	97541GT	15, 17, 19, 21, 23		
49407GT	25, 27	97544GT	15, 17, 19, 21, 23		
52701GT	25, 27	97545GT	15, 17, 19, 21, 23		
52985GT	27	97546GT	15, 17, 19, 21, 23		
57035GT	63, 65, 67, 69, 71, 73...	97547GT	13		
52985GT	13, 15, 17, 19, 21, 23	100309GT	31, 35, 39, 43, 47		
57035GT	69, 71, 73	107176GT	27		
57036GT	87	107177GT	27		
57036-SGT	57, 59, 61, 83, 85	107178GT	27		
57037-SGT	57, 59, 61, 81, 83, 85...	107179GT	27		
57038-SGT	81, 83, 85, 87	107221GT	129, 131		
57736GT	25	107493GT	31, 35, 39, 43, 47		
57748GT	27	107494GT	89, 93, 97, 101, 105		
57788GT	33, 37, 41, 45, 49	107495GT	109, 113, 117, 121,		
58158GT	129	109579GT	175		
72264GT	109, 113, 117, 121,	109580GT	31, 35, 39, 43, 49		
78037GT	109, 113, 117, 121,	109689GT	25, 27		
80145GT	109, 113, 117, 121,	109715GT	27		
80146GT	109, 113, 117, 121,				
80147GT	109, 113, 117, 121,				
	175				

California Proposition 65



Operating, servicing and maintaining this equipment, passenger vehicle or off-highway motor vehicle can expose you to chemicals including engine exhaust, carbon monoxide, phthalates, and lead, which are known to the State of California to cause cancer and birth defects or other reproductive harm. These chemicals can be emitted from or contained in other various parts and systems, fluids and some component wear by-products. To minimize exposure, avoid breathing exhaust, do not idle the engine except as necessary, service your equipment and vehicle in a well-ventilated area and wear gloves or wash your hands frequently when servicing your equipment or vehicle and after operation. For more information go to www.P65Warnings.ca.gov/passenger-vehicle.

Breathing diesel engine exhaust exposes you to chemicals known to the State of California to cause cancer and birth defects or other reproductive harm.

- Always start and operate the engine in a well-ventilated area.
- If in an enclosed area, vent the exhaust to the outside.
- Do not modify or tamper with the exhaust system.
- Do not idle the engine except as necessary.

For more information go to www.P65warnings.ca.gov/diesel.

www.genielift.com

Distributed By: