



A TEREX BRAND

Parts Manual

Serial Number Range

TZ-34/20

from SN TZ34F-4500

Part No. 1325846GT
Rev:A
May 2024

Technical Publications

Genie has endeavored to deliver the highest degree of accuracy possible. However, continuous improvement of our products is a Genie policy. Therefore, product specifications are subject to change without notice.

Readers are encouraged to notify Genie of errors and send in suggestions for improvement. All communications will be carefully considered for future printings of this and all other manuals.

Contact Us:

Internet: www.genielift.com
e-mail: awp.techpub@terex.com

Find a Manual for this Model

Go to <http://www.genielift.com>

Use the links to locate Operator's, Parts, Maintenance, and Service and Repair Manuals.

Copyright © 2011 by Terex Corporation
1325846GT Rev A May 2024
First Edition, First Printing

"Genie" and "TZ" are registered trademarks of Terex USA, LLC in the USA and many other countries.

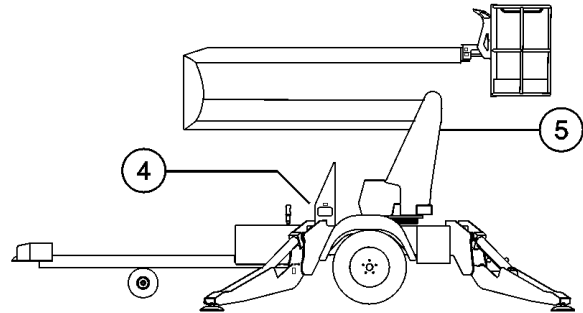
 Printed on recycled paper

Genie
A TEREX BRAND

Model:
Serial number: TZ34F-12345
Year of manufacture: 2016
Electrical schematic number:
Machine unladen weight:
Rated work load (including occupants):
Maximum number of platform occupants:
Maximum allowable side force:
Maximum allowable inclination of the chassis:

TZ34 F - 12345

- 1
- 2
- 3



- 1 Model**
- 2 Facility code**
- 3 Sequence number**

- 4 Serial number (stamped on chassis)**
- 5 Serial label**

How to Order Parts

Please be prepared with the following information when ordering replacement parts for your Terex or Genie product.

- Machine model number
- Machine serial number
- Part number
- Part description and quantity
- Purchase order number
- "Ship to" address
- Desired method of shipment
- Name and telephone number of the authorized distributor in your area

Use the Service Parts Fax Order Form on the next page and fax your order to our Parts Department.

If you don't know the name of your authorized distributor, or if your area is not currently serviced by an authorized distributor, please call Terex or Genie Industries.

Machine Information

Model

Serial Number

Date of Purchase

Authorized Genie Distributor

Phone Number

North America

Telephone (425)881-1800
 Toll Free (800)536-1800 in US and Canada
 Fax (425)556-8659
 Toll Free fax (888)274-6192
 Email AWP.PartsSalesPO@terex.com
<http://genielift.com/en>

Asia Pacific (Genie Singapore)

Telephone +65 6692 7777
 Fax +65 6261 8893
<http://genielift.com.sg/>

South America

Telephone (55)(11)4082 5600
 Fax (55)(11)4082 5630

Required Parts

The following parts are required to perform maintenance procedures as outlined in the Genie TZ-34/20 Service Manual.

Recommended Parts

Description	Part No.
Genie Gray Paint, 12 Ounce Aerosol	1268
Genie Blue Paint, 12 Ounce Aerosol.....	1484
Genie Blue Paint, 1 Gallon.....	32150
Genie Gray Paint, 1 Gallon	32151
Plug and Cap Kit (for ORFS Fittings)	49613

Manuals

Genie Industries offers the following support documents for these models:

Title	Part No.
EMI Safety Manual	27581
Manual of Responsibilities ANSI A92.6-1990	97616
Dexter Axle Operation, Maintenance and Service Manual	84376



Service Parts Fax Order Form

Fax to: (425) 556-8659 or Toll Free: 888-274-6192
International: +1-425-556-8659

Please fill out completely

Date _____ Account Number _____

Your Name _____ Your Fax Number _____

_____ Your Phone Number _____

Bill To _____ Ship To _____

Purchase Order Number _____ Ship Via _____

Model(s) _____ Serial No.(s) _____

Optional Equipment _____

Part Number	Description	Quantity	Price

- All back-ordered parts will be shipped when available via the same ship method as the original order unless Noted below:
- Ship complete order only - No back orders
 - Ship all available parts and contact customer on disposition of back-ordered parts
 - Other (please specify)



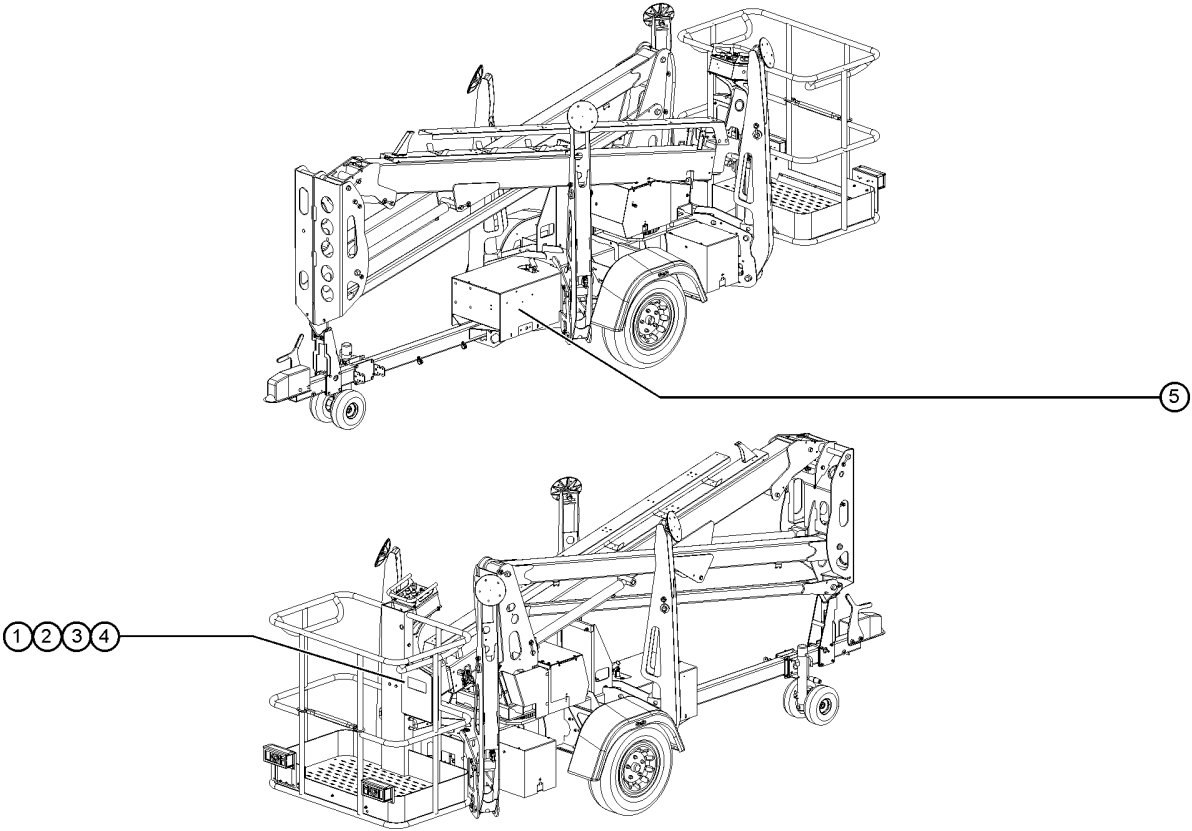
Description	Page
001 Parts Stocking List	10
001.1 Parts Stocking List	10
100 Decals	12
101.1 Decals with Words	12
102.1 Decals with Symbols	16
200 Chassis Components	20
201.1 Parking Brake Assembly - ANSI and CSA Models	20
202.1 Hitch Assembly - ANSI and CSA Models	24
203.1 Hitch Options - ANSI and CSA Models	28
204.1 Chassis Components	30
205.1 Battery Charger	34
206.1 Hydraulic Brake and Axle - ANSI and CSA Models	36
207.1 Outrigger Components	40
208.1 Battery Box	44
209.1 Power Cables	46
210.1 Electrical Wiring	48
300 Turntable Components	50
301.1 Turntable Components - View 1	50
302.1 Turntable Components - View 2	54
303.1 Ground Control Box	58
304.1 Ground Control Box - ANSI, CSA Models with no Load Sense	66
305.1 Ground Control Box - ANSI, CSA Models with Load Sense	70
400 Lift Components	74
401.1 Lift Structure, View 1	74
402.1 Lift Structure, View 2	78
500 Platform Components	82
501.1 Platform Installation - ANSI and CSA Models without Platform Overload Option	82
502.1 Platform Installation - ANSI, CSA Models with Platform Overload Option	86
503.1 Platform Rotate Installation - ANSI and CSA Models without Platform Overload Option	90
504.1 Platform Rotate Installation - ANSI, CSA Models with Platform Overload Option	94
505.1 Gear Box Components	98
506.1 Platform Control Box	102
507.1 Platform Control Box - ANSI, CSA Models with no Load Sense	104
508.1 Platform Control Box - ANSI, CSA Models with Load Sense	108
509.1 Platform Components - ANSI and CSA Models	112

Table of Contents

Description	Page
600 Hydraulic Components	114
601.1 Hydraulic Power Unit	114
602.1 Function Manifold	118
603.1 Dual Counterbalance Assembly, Outriggers	122
604.1 Manifold/Solenoid Assembly, Rotate Brake	124
605.1 Hydraulic Cylinders	126
606.1 Hydraulic Hoses and Fittings - Outrigger System	128
607.1 Hydraulic Hoses and Fittings - Boom System	130
700 Accessories	134
701.1 Accessories	134
702.1 Telematics Option	138
Part Number Index	140



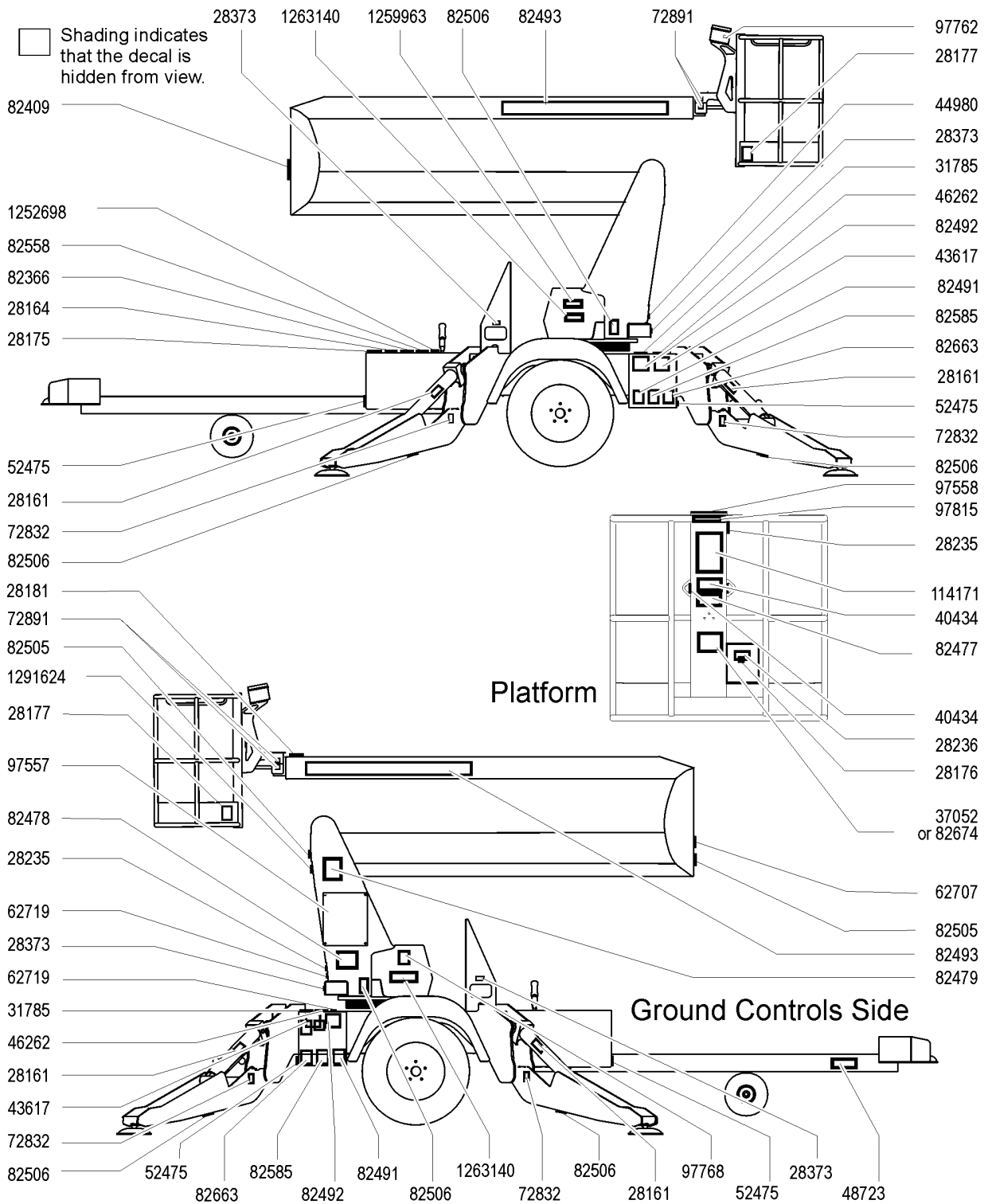
001.1 Parts Stocking List



Item	Part No.	Description	Qty.
A		— GENERAL SERVICE PARTS —	
A-	1484GT	PAINT, AEROSOL, BRIGHT BLUE*** 12-ounce spray paint	
A-	1268GT	PAINT, AEROSOL, GENIE GRAY*** 12-ounce spray paint	
A-	1258567GT	PAINT, AEROSOL, TRAFFIC BLACK 12-ounce spray paint	
A-	32150GT	PAINT, WET, GENIE BLUE (1 GL)** 1-gallon	
A-	32151GT	PAINT, WET, GENIE GRAY (1GL)** 1-gallon	
A-	66399GT	GREASE, DIELECTRIC 4 OZ**	
A-	1283776GT	SEAL MARKER,CROSS CHECK,BLUE,TUBE	
A-	93500GT	PARKER DIGITAL PRESSURE GAUGE	
A-	49612GT	O-RING KIT (ORFS FITTINGS) O-ring kit, ORFS	
A-	49613GT	PLUG AND CAP KIT-SERVICE,ORFS* Plug and cap kit, ORFS	
A-	28750GT	O-RING KIT,FIELD SVC,ALL PROD* O-ring kit, SAE	
A-	33994GT	PLUG AND CAP KIT-SERVICE,37?*** Plug and cap kit, SAE	
		
		— MANUALS —	
1	27581GT	MANUAL, SAFTY MANNAL	
2-	1298933GT	MANUAL, SAIA MANUAL OF RESPONSIBILITIES, MEWP	
3-	84592GT	MANUAL,OWNER,DEMCO 91 HITCH	
4-	84376GT	MANUAL,DEXTER AXLE AND BRAKE	
		
		— FILTERS —	
5	84356GT	FILTER ELEMENT,TZ34	



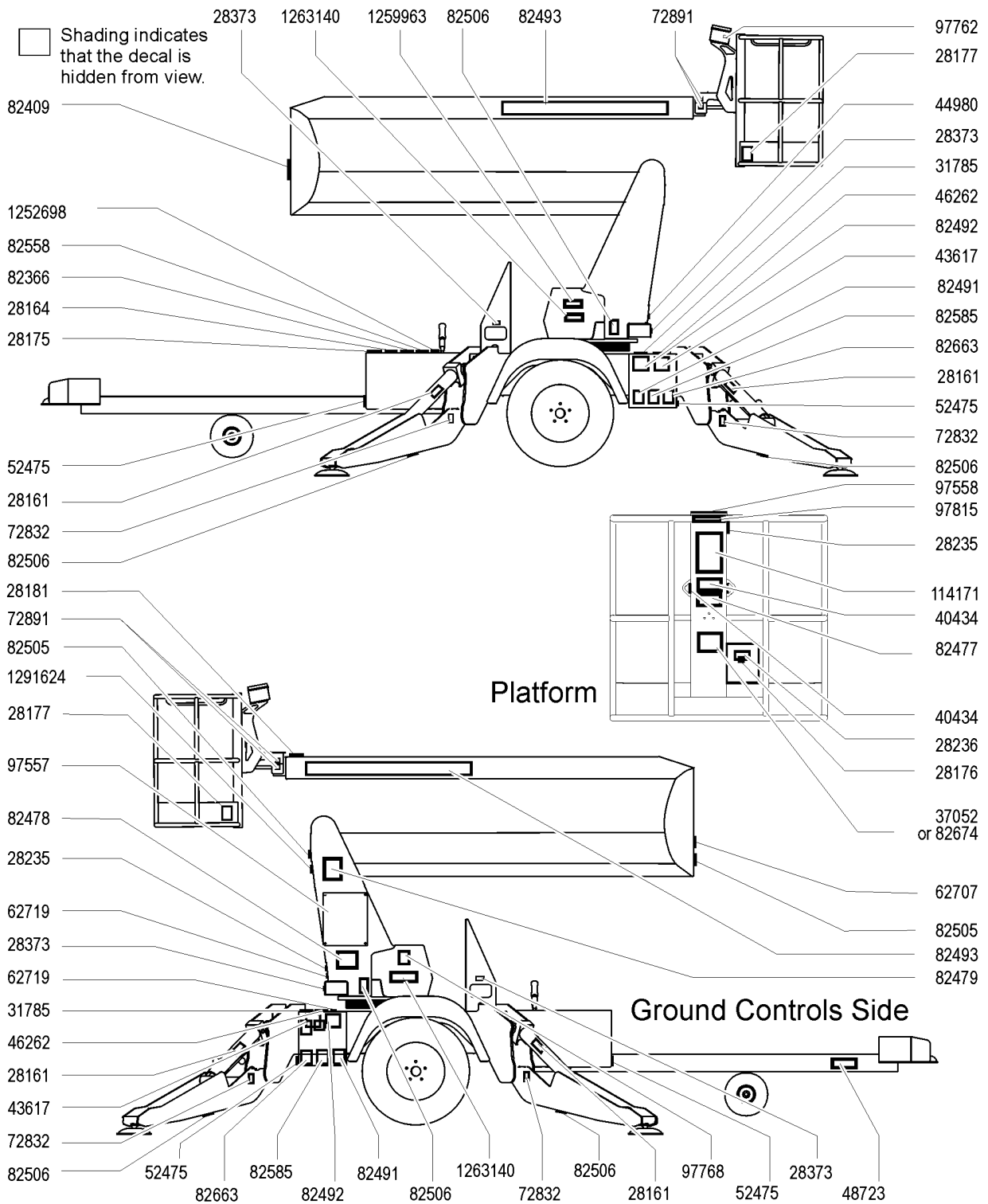
101.1 Decals with Words



Item	Part No.	Description	Qty.
1	28161GT	DECAL,WARN,CRUSH HAZARD HAND	4
2	28164GT	DECAL,NOTICE,HAZARDOUS MAT'LS*	1
3	28175GT	DECAL,WARNING-COMPART ACCESS	1
4	28176GT	DECAL,LABEL,MANUAL NOT HERE	1
5	28177GT	DECAL,WARN,CRUSH HAZARD PLAT	2
6	28181GT	DECAL,WARN,FALL HAZARD	1
7	28235GT	DECAL,POWER TO PLATFORM 115V	2
8	28236GT	DECAL,WARN,IMPROPER OPERATION	1
9	28373GT	DECAL,FORK LIFT POCKET	4
10	31785GT	DECAL,NOTICE,CHARGER INSTRUC	2
11	37052GT	DECAL,NOTICE,MAX LOAD 500 LBS	1
12	40434GT	DECAL,LANYARD ANCHORAGE POINT	2
13	43617GT	DECAL,DANGER,TIP-OVER,BATTERY	2
14	44980GT	DECAL, LABEL, PWR TO CHARGER 115 UK	1
15	46262GT	DECAL,DANGER,BATTERY SAFETY	2
16	48723GT	DECAL,LABEL,PARKING BRAKE,ANSI	1
17	52475GT	DECAL,LABEL,TRANSPORT TIEDOWN*	4
18	62707GT	DECAL,WARNING,MAX TOWING SPEED	1
19	62719GT	DECAL,LABEL,ARROW	2
20	72832GT	DECAL,DANGER,DO NOT ALTER SWTC	4
21	72891GT	DECAL,LABEL,BLUE ARROW	2
22	82366GT	DECAL,CHEVRON RANDO HD	1
23	82409GT	DECAL,WARNING,TRANSPORT INST	1
24	82477GT	DECAL,NOTICE,OP INST,PLATFORM	1
25	82478GT	DECAL,NOTICE,OP INSTR,GROUND	1
26	82479GT	DECAL,DANGER,GENERAL SAFETY	1
27	82491GT	DECAL,NOTICE,TIRE SPECS,TZ34	2
28	82492GT	DECAL,LABEL,BATTERY CONNECTION	2



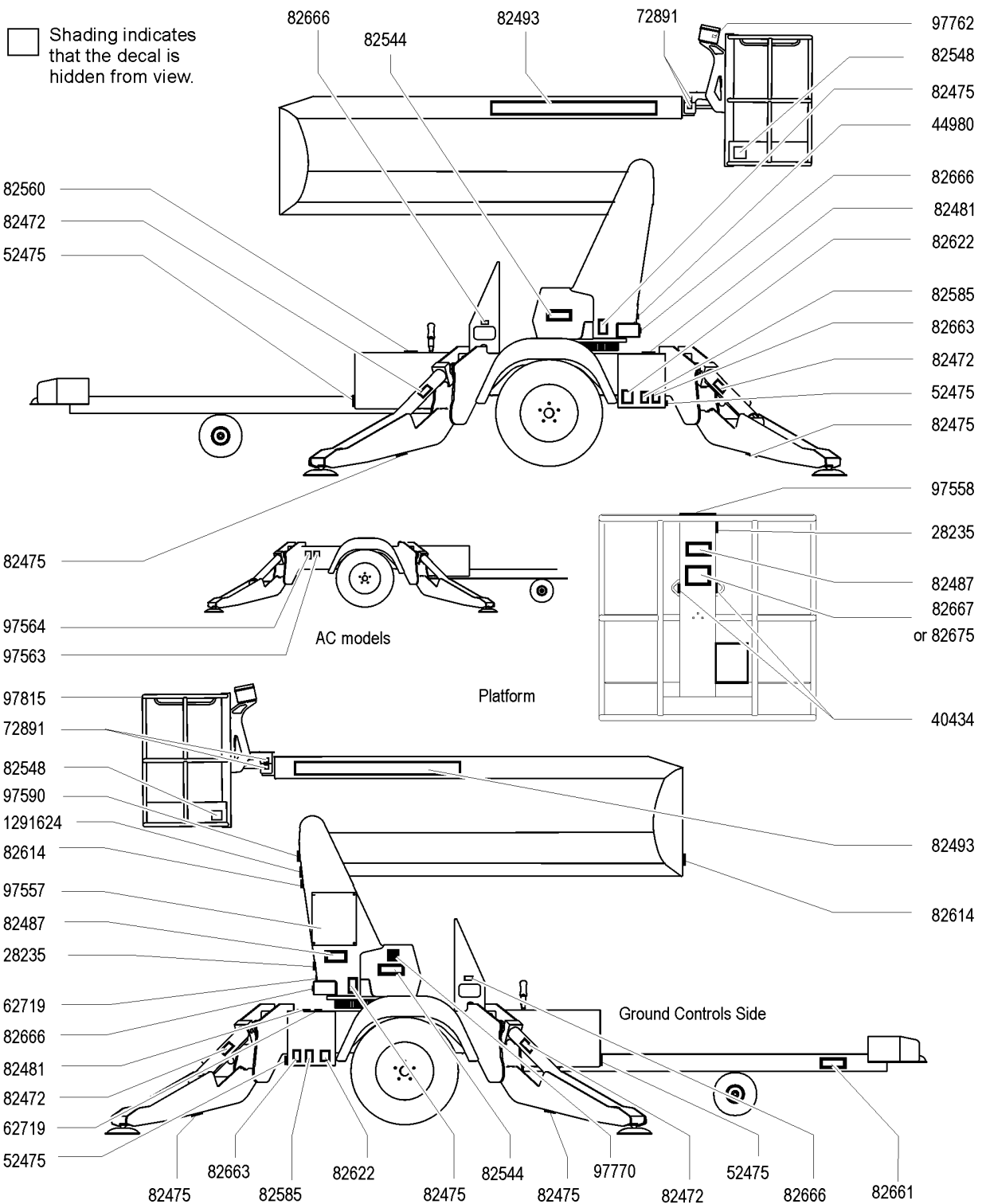
101.1 Decals with Words



<i>Item</i>	<i>Part No.</i>	<i>Description</i>	<i>Qty.</i>
29	82493GT	DECAL,COSMETIC,TZ34/20	2
30	82505GT	DECAL,DANGER,CRUSHING HAZARD	2
31	82506GT	DECAL,WARNING-FOOT CRUSHING	6
32	82558GT	DECAL,SKIN INJECTION	1
33	82585GT	DECAL,LABEL,OUTRIGGER LOAD	2
34	82663GT	DECAL,LABEL,WHEEL LOAD	2
35	82674GT	DECAL,NOTICE,MAX CAP 460 LBS	1
36	97557GT	DECAL,GROUND CONTL PANEL,TZ34*	1
37	97558GT	DECAL,PLAT CNTRL PANEL,TZ34***	1
38	97762GT	DECAL, HORN SYMBOL	1
39	97768GT	DECAL,LABEL,MANUAL VALVES,TZ**	1
40	97815GT	DECAL,LABEL,LOWER MIDRAIL	1
41	114171GT	DANGER DECAL	1
42	1252698GT	DECAL, HAND PUMP	1
43	1259963GT	DECAL,LABEL,MNL SWING,WRD,TZ	1
44	1263140GT	DECAL,DANGER,ELEC.HAZ.STAY CLR	2
45	1291624GT	DECAL COSM,GENIE LIFT CONNECT,LEXAN COVER	1



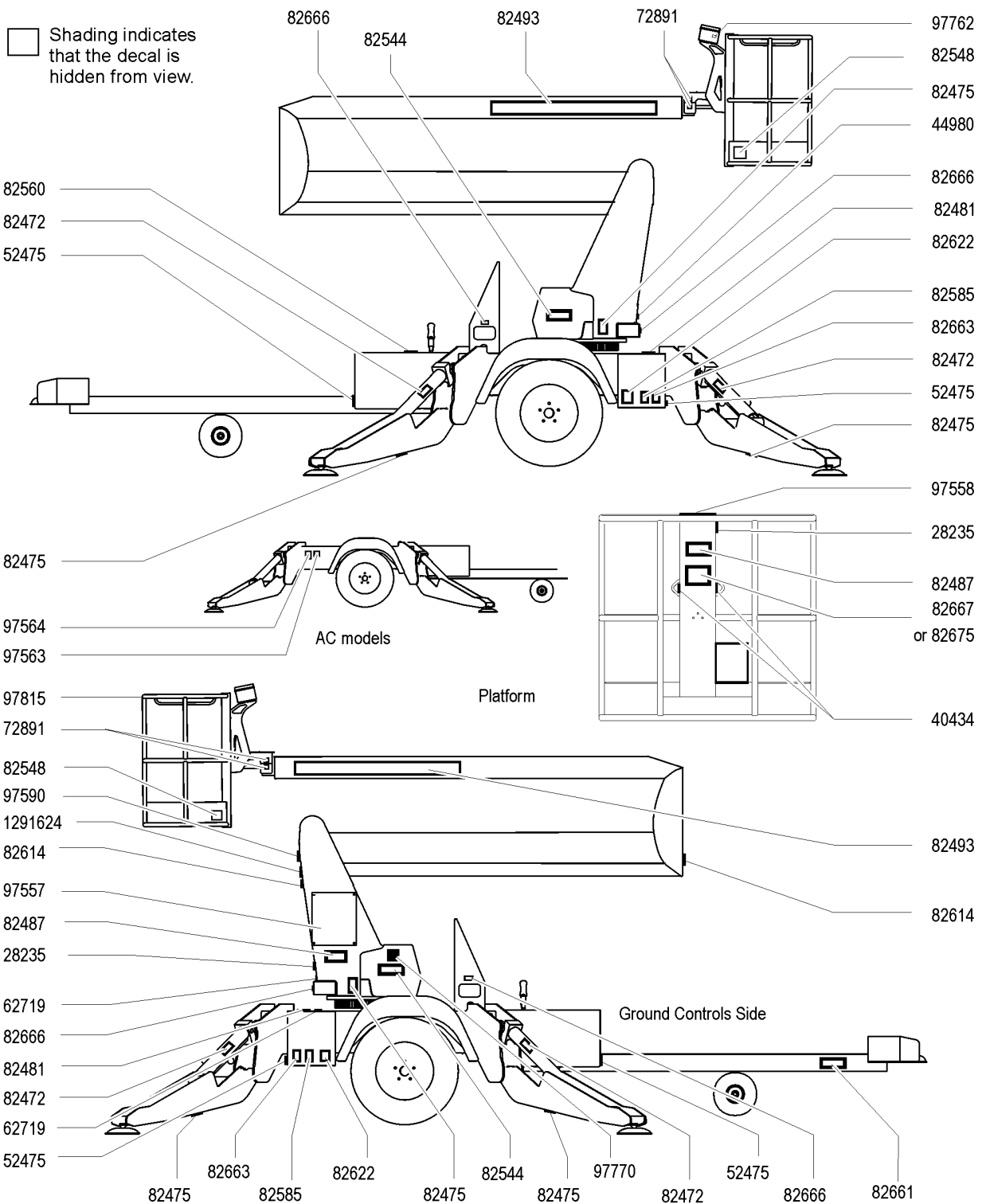
102.1 Decals with Symbols



Item	Part No.	Description	Qty.
1	28235GT	DECAL,POWER TO PLATFORM 115V	2
2	40434GT	DECAL,LANYARD ANCHORAGE POINT	1
3	44980GT	DECAL, LABEL, PWR TO CHARGER 115 UK	1
4	52475GT	DECAL,LABEL,TRANSPORT TIEDOWN*	4
5	62719GT	DECAL,LABEL,ARROW	2
6	72891GT	DECAL,LABEL,BLUE ARROW	2
7	82472GT	DECAL,WARNING,CRUSHING HAZARD	4
8	82475GT	DECAL,WARNING,CRUSHING HAZARD	6
9	82481GT	DECAL,SYMBOL-BATTERY SAFETY	2
10	82487GT	DECAL,SYMBOL-READ THE MANUAL	2
11	82493GT	DECAL,COSMETIC,TZ34/20	2
12	82544GT	DECAL,DANGER,ELEC.HAZ.STAY CLR	2
13	82548GT	DECAL,WARN,CRUSH HAZARD PLAT	2
14	82560GT	DECAL,SYMBOL-SKIN INJECT HAZRD	1
15	82585GT	DECAL,LABEL,OUTRIGGER LOAD	2
16	82614GT	DECAL,DANGER,COLLISION HAZARD	2
17	82622GT	DECAL,LABEL,TIRE PRESSURE,ANSI	2
18	82661GT	DECAL,LABEL,PARKING BRAKE,ANSI	1
19	82663GT	DECAL,LABEL,WHEEL LOAD	2
20	82666GT	DECAL,LABEL,FORKLIFT POCKET	4
21	82667GT	DECAL,DANGER,MAX CAP,227KG	1
22	82675GT	DECAL,DANGER,MAX CAP,209KG	1
23	97557GT	DECAL,GROUND CONTL PANEL,TZ34*	1
24	97558GT	DECAL,PLAT CNTRL PANEL,TZ34***	1
25	97563GT	DECAL,LABEL,CIRCUIT BREAKER,AC	1
26	97564GT	DECAL,LABEL,AC POWER CORD	1
27	97590GT	DECAL,DANGER,DRIVE CONT SAFETY	1
28	97762GT	DECAL, HORN SYMBOL	1



102.1 Decals with Symbols

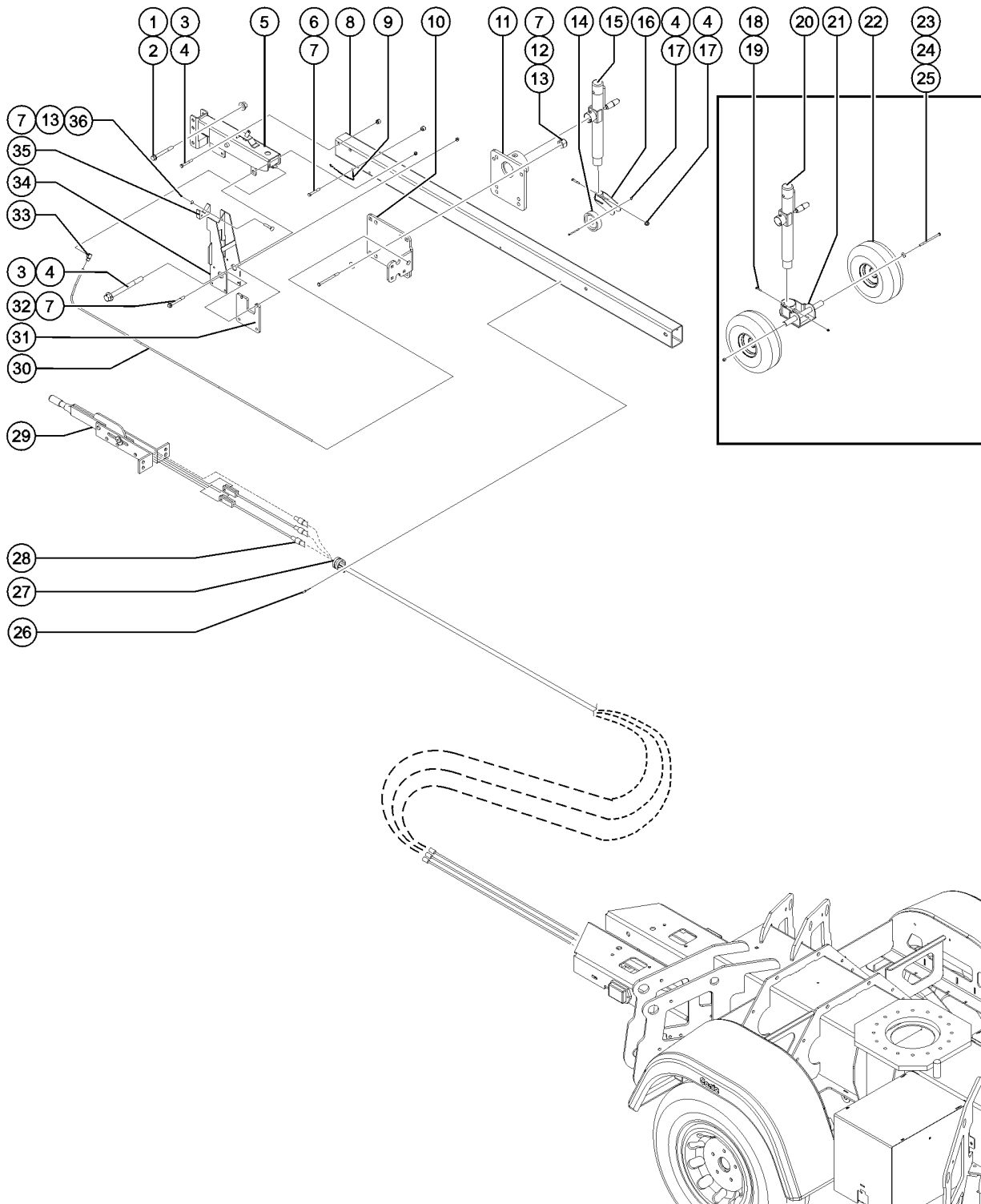


102.1 Decals with Symbols

<i>Item</i>	<i>Part No.</i>	<i>Description</i>	<i>Qty.</i>
29	97770GT	DECAL,LBL,MAN VALVES,TZ,SYM	1
30	97815GT	DECAL,LABEL,LOWER MIDRAIL	1
31	1291624GT	DECAL COSM,GENIE LIFT CONNECT,LEXAN COVER	1



201.1 Parking Brake Assembly - ANSI and CSA Models

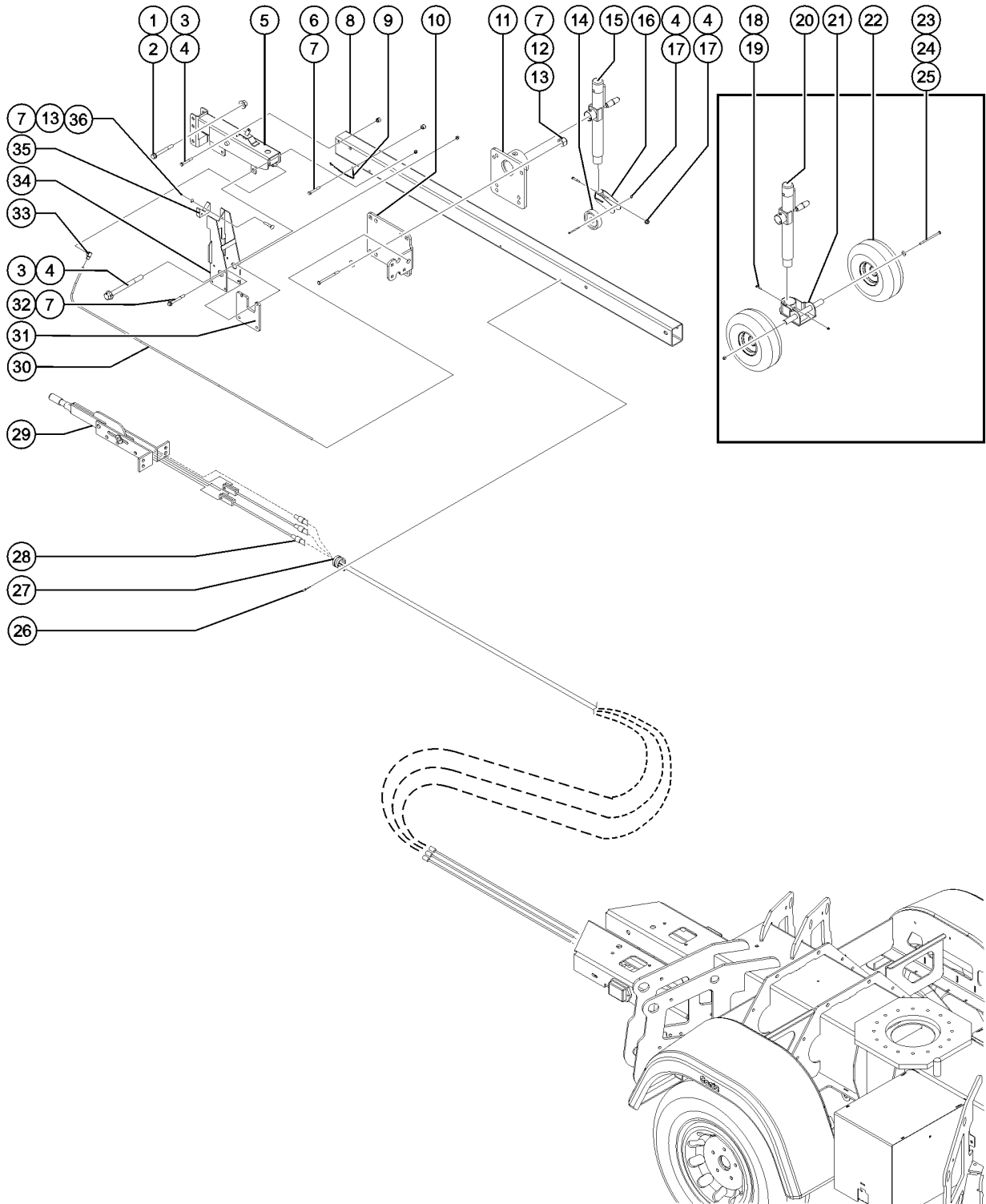


201.1 Parking Brake Assembly - ANSI and CSA Models

Item	Part No.	Description	Qty.
1	1263142GT	SCREW,HHC,5/8-11X4.5,8,ZAG	2
2	1274174GT	NUT,NYLOCK,5/8-11,C,ZAG	2
3	1255392GT	SCREW,HHF,1/2-13X4.5,8,ZAG	3
4	1274172GT	NUT,NYLOCK FLG,1/2-13,G,ZAG	5
5	59582GT	HITCH ACTUATOR, COMBO ** TMZ	1
6	1258395GT	SCREW,HHF,3/8-16X4,8,ZAG	1
7	1274166GT	NUT,NYLOCK,3/8-16,C,ZAG	11
8	87408GT	TUBE,TONGUE,HYD BRAKE***	1
9	162160GT	CHAIN, SAFETY, SNAP HOOK	1
10	87780GT	FORMING,TONGUE JACK MOUNT	1
11	104160GT	WELDMENT,SCREW JACK MOUNT	1
12	1256173GT	SCREW,HHC,3/8-16X4.5,8,ZAG	4
13	1255758GT	WASHER,FLAT,3/8,USS,ZAG	6
14	1277193GT	ASSY,WHEEL,CASTER,8IN	1
15	1294952GT	SCREW JACK, TONGUE, TZ	1
16	1284765GT	WELDMENT,CASTER,TONGUE,JACK,TZ34	1
17	1256120GT	SCREW,HHC,1/2-13X3.25,8,ZAG	2
18	1256850GT	SCREW,HHF,1/2-13X3.25,8,ZAG	1
		option	
19	1274172GT	NUT,NYLOCK FLG,1/2-13,G,ZAG	1
		option	
20	1294952GT	SCREW JACK, TONGUE, TZ	1
		option	
21	44653GT	WELDMENT,CSTR,TNGUE JACK, TMZ**	1
		option	
22	40624GT	WHEEL,PNEUM 10",3/4" HUB***	2
		option	
23	1268960GT	SCREW,HHC,1/2-13X8.5,8,ZAG	1
		option	
24	1255760GT	WASHER,FLAT,1/2,USS,ZAG	1
		option	
25	1274320GT	NUT,NYLOCK,1/2-13,C,ZAG	1
		option	
26	7265GT	RIVET,STEEL,P, .25 X .375	3
27	18666GT	CLAMP,1.00,#16 X 1/4,RUB CUSH	3
28	87763GT	CABLE,PARKING BRAKE RIGHT	3



201.1 Parking Brake Assembly - ANSI and CSA Models

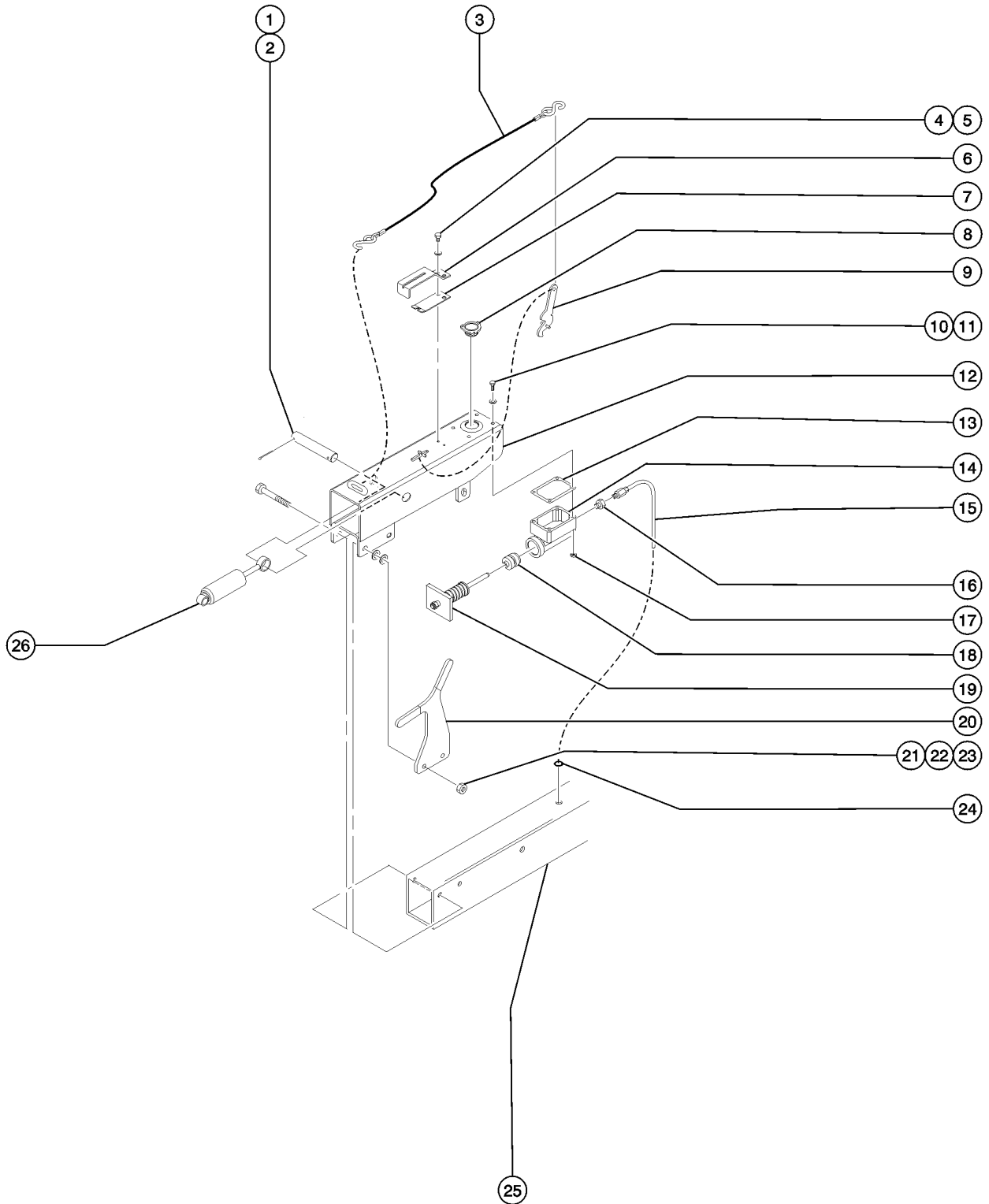


201.1 Parking Brake Assembly - ANSI and CSA Models

<i>Item</i>	<i>Part No.</i>	<i>Description</i>	<i>Qty.</i>
29	87474GT	PARKING BRAKE LEVER, TZ-34	1
30	99030GT	KIT, HYDRAULIC BRAKE LINES, TZ34	1
31	104147GT	PLATE, CRADLE SPACER	2
32	1257828GT	SCREW, HHC, 3/8-16X5, 8, ZAG	4
33	1310391GT	HYD FITTING, MALE 1/8 NPT-FEMALE 3/8-24 INVERTED FLARE	1
34	104128GT	WELDMENT, FRONT CRADLE TZ-34	1
35	104148GT	WEARPAD, MIDPIVOT CRADLE	1
36	1258623GT	BOLT, CARRIAGE, 3/8-16X2.0, 5, ZAG	2



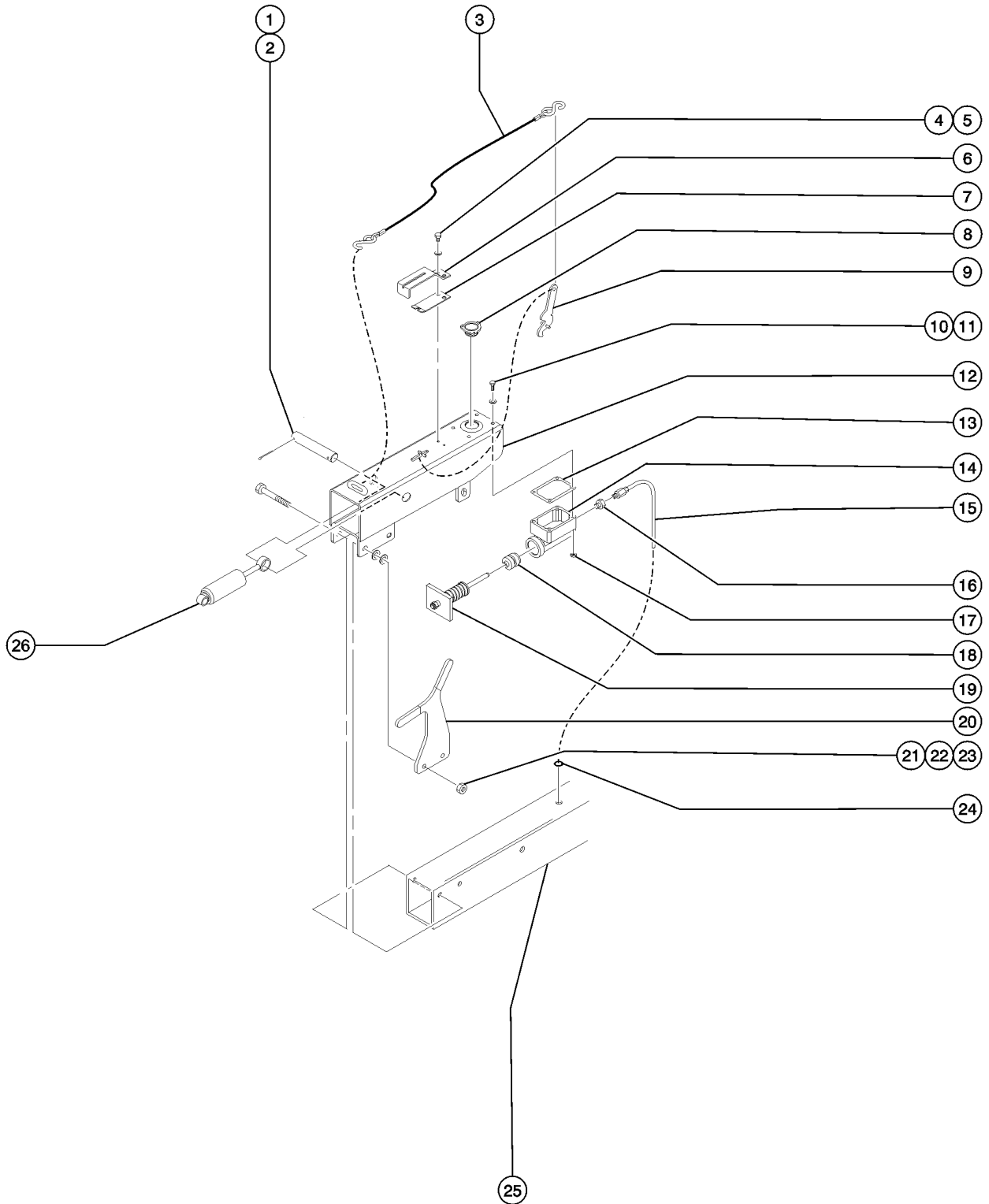
202.1 Hitch Assembly - ANSI and CSA Models



Item	Part No.	Description	Qty.
	59582GT	HITCH ACTUATOR, COMBO ** TMZ includes items 1 through 14, 16 through 19, and 25	
	62769GT	KIT, LEVER REPLACEMENT TMZ includes items 3, 7 and 9	
	62770GT	KIT, MASTER CYLINDER REPAIR TMZ	
1	75866GT	PIN, CONNECTING	1
2	62866GT	PIN, COTTER, 0.156 X 1.5 TMZ50	2
3	62870GT	CABLE ASSY, HITCH, W/HOOKS 3/32 includes hooks	1
3	62772GT	HOOKS, CABLE ASSY TMZ50	1
4	62864GT	WASHER, LOCK, EXTRNL TOOTH, 5/16	2
5	62871GT	SCREW, HHC, 5/16-18 X 5/8, GR5	2
6	62872GT	GUIDE, ACTUATOR LEVER	1
7	62873GT	EMERGENCY LEVER SPRING TMZ50	1
8	62874GT	CAP, MASTER CYLINDER TMZ50 **	1
8-	62773GT	O-RING, MASTR CYLNDR(62768)TMZ	
9	62877GT	LEVER, EMERGENCY, HITCH ASSY T50	1
10	75868GT	SCREW, HHC, 1/4-20 X 2	4
11	75869GT	WASHER, LOCK, 1/4 INCH	4
12	97458GT	ACTUATOR CASE, 3 BOLT MOUNT	1
13	75871GT	GASKET, MASTER CYLINDER (75873)	1
14	75873GT	CYLINDER, MASTER***** includes item 18	1
15	67304GT	BRAKE LINE, LONG 149.5" TMZ50	1
16	62761GT	CONNECTOR, ORIFICE, .018 TMZ	1
17	75872GT	NUT, HEX 1/4-20 INCHES	1
18	75874GT	BOOT, CYLINDER MASTER	1
19	62879GT	PUSH ROD ASSEMBLY TMZ50	1
20	72032-SGT	TONGUE HANDLE ASSY T3400 includes plastic covers	1
21	13854GT	SCREW, HHC, 1/2-13 X 4.5, GRD.8	3
22	67722GT	WASHER, FLAT, M12 HARDENED	4
23	6198GT	NUT, NYLOCK, 1/2-13	2



202.1 Hitch Assembly - ANSI and CSA Models

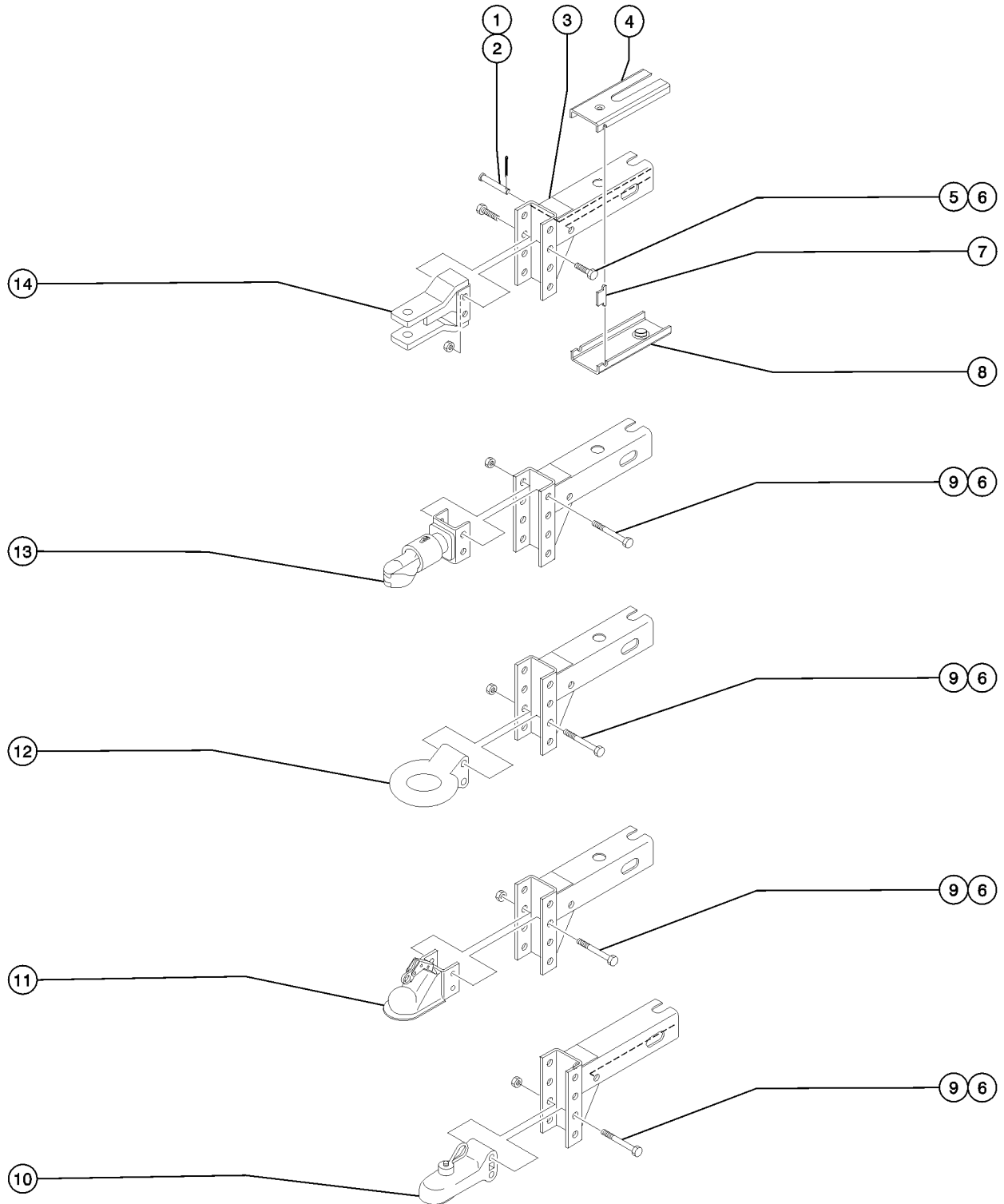


202.1 Hitch Assembly - ANSI and CSA Models

<i>Item</i>	<i>Part No.</i>	<i>Description</i>	<i>Qty.</i>
24	24647GT	GROMMET,RUBBER .38 X .13 X .63	1
25		Ref. Tongue Assembly (refer to 201.1)	
26	62764GT	DAMPER,SHOCK, HITCH ASSY TMZ	1



203.1 Hitch Options - ANSI and CSA Models

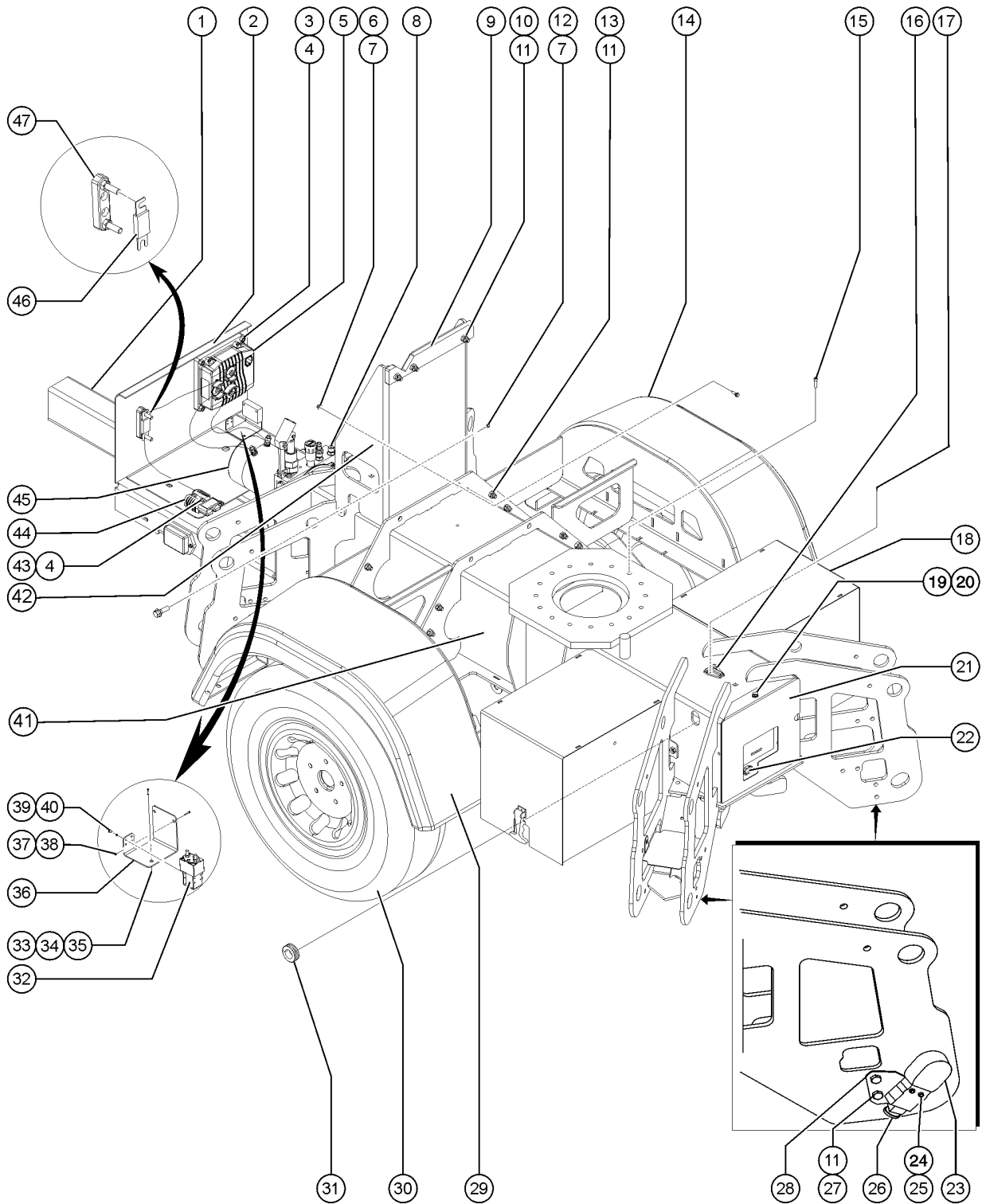


203.1 Hitch Options - ANSI and CSA Models

Item	Part No.	Description	Qty.
	59582GT	HITCH ACTUATOR, COMBO ** TMZ includes items 1 through 6	
	62770GT	KIT,MASTER CYLINDER REPAIR TMZ	
	1264803GT	KIT, SURGE BRAKE LOCKOUT, DEMCO #5939 DEMCO DA91 LOCKOUT SERVICE KIT ; will replace items 1 and 2	
1	62765GT	PIN,FRONT SHOCK,HITCH ASSY TMZ	1
2	62866GT	PIN,COTTER,0.156 X 1.5 TMZ50	1
3	62766GT	CHANNEL,CLEVIS,HITCH ASSY TMZ	1
4	97455GT	SLIDER, UPPER	1
5	106669GT	SCREW, HHC, 5/8-11 X 1.5 GRD.8	4
6	6024GT	NUT,NYLOCK,5/8-11	8
7	97457GT	SPACER, SIDE	2
8	97456GT	SLIDER, LOWER	1
9	47186GT	SCREW,HHC,5/8-11 X 4.5	4
10	67229GT	COUPLER,BALL,2"(50MM) TWST LK*	1
11	59752-SGT	COUPLER 2-5/16" BALL TZ	1
11-	67229GT	COUPLER,BALL,2"(50MM) TWST LK* twist lock	
11-	67535GT	COUPLER, 2" BALL, LEVER LOCK lever lock	
12	59720GT	COUPLER, PINTLE RING	1
13	67230GT	COUPLER 2" BALL BULLDOG TMZ	1
13-	67231GT	COUPLER 2-5/16" BALL BULLDOG T	
14	59753GT	COUPLER CLEVIS,TMZ	1



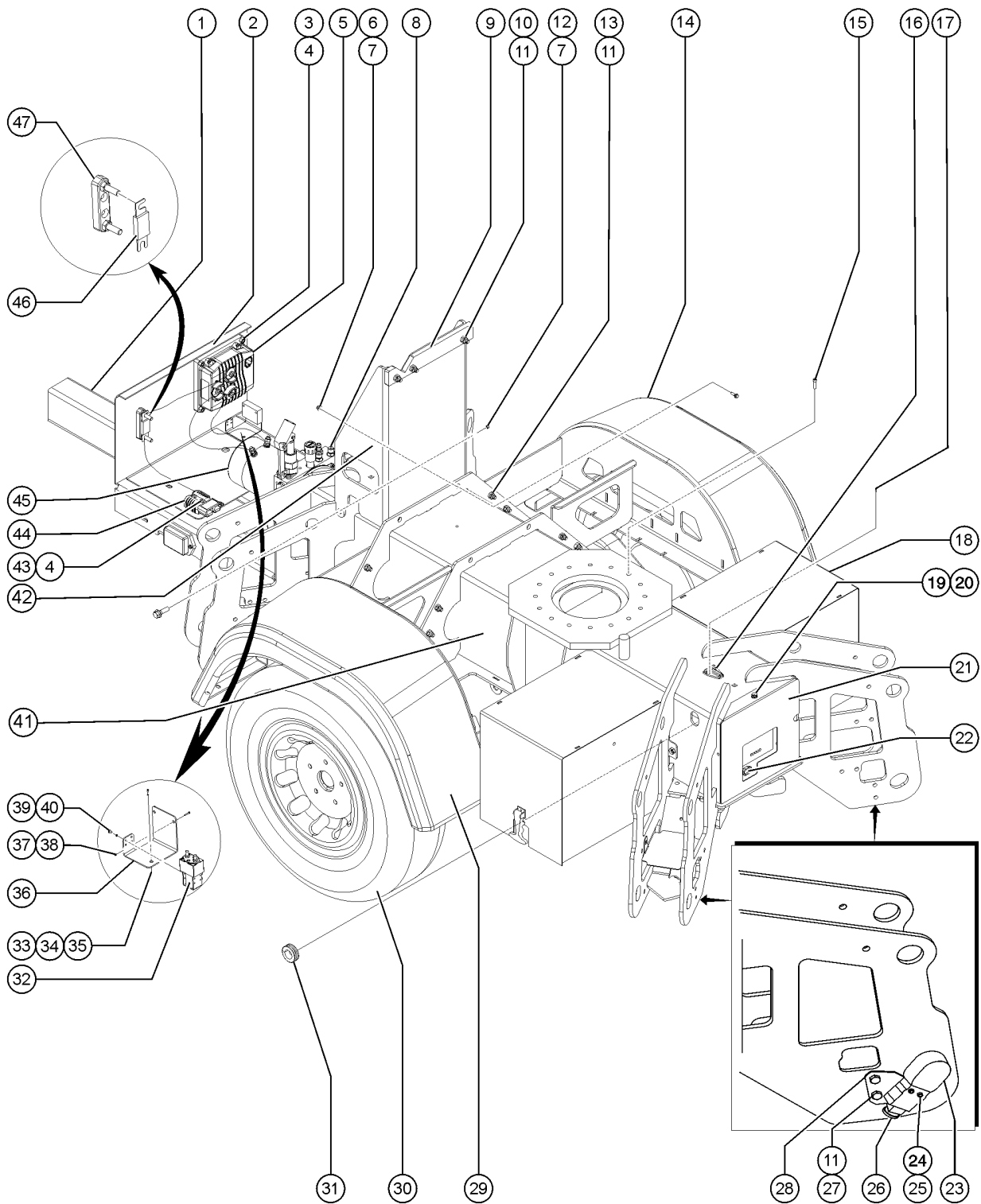
204.1 Chassis Components



Item	Part No.	Description	Qty.
	87768GT	ASSY,OUTRIGGER LH, TZ-34 refer 210.1	
	1311114GT	ASSY,OUTRIGGER RH, TZ-34 refer 210.1	
A	1289561GT	BRACKET, TELEMATICS	
A	1289520GT	MODULE, TELEMATICS, ZTR, M7, NORTH AMERICA	
1		Ref. TONGUE ASSEMBLY refer 201.1 or 202.1	
2	104022GT	FORMING, CONTROLLER MOUNT TZ-34	1
3	824124GT	BOLT, CARRIAGE, 1/4-20 X .75, 5, ZAG	4
4	1274165GT	NUT, NYLOCK, 1/4-20, C, ZAG	6
5	823408GT	MOTOR CONTROLLER, DC, 24V, 300A	1
6	1283007GT	NUT, NYLOCK FLG, 5/8-11, F, ZAG	2
7	1256126GT	SCREW, HHF, 5/8-11X2, 8, ZAG	4
8		Ref. HYDRAULIC POWER UNIT refer 601.1	
9	218055GT	WEAR PAD, MAST CRADLE, CE, TZ-34	1
10	1268766GT	BOLT, CARRIAGE, 3/8-16X1.75, 5, ZAG	3
11	1274322GT	NUT, NYLOCK FLG, 3/8-16, F, ZAG	19
12	1274174GT	NUT, NYLOCK, 5/8-11, C, ZAG	2
13	824090GT	SCREW, HHF, 3/8-16 X 1, 8, ZAG	8
14	1305079GT	WELDMENT, ANSI FENDER ASSY RH, TZ34	1
15	1264510GT	SCREW, SHC, 1/2-13X2, A574, ZAG	16
16	99024GT	LEVEL, BUBBLE, T	1
17	38600GT	RIVET, STL, STL, .156 X .50	2
18		Ref. BATTERY BOX ASSEMBLY refer 208.1	
19	36456GT	SPRING CLIP, 5/16-18, .025-.15X.83, ZAG	1
20	824079GT	SCREW, HHF, 1/4-20X1, 8, ZAG	1
21	87441GT	FORMING, CHARGER COVER	1
22		Ref. BATTERY CHARGER refer 205.1	
23	76682GT	COVER, LIMIT SWITCH	4
24	1271081GT	NUT, NYLOCK, 8-32, 8, ZAG	8



204.1 Chassis Components

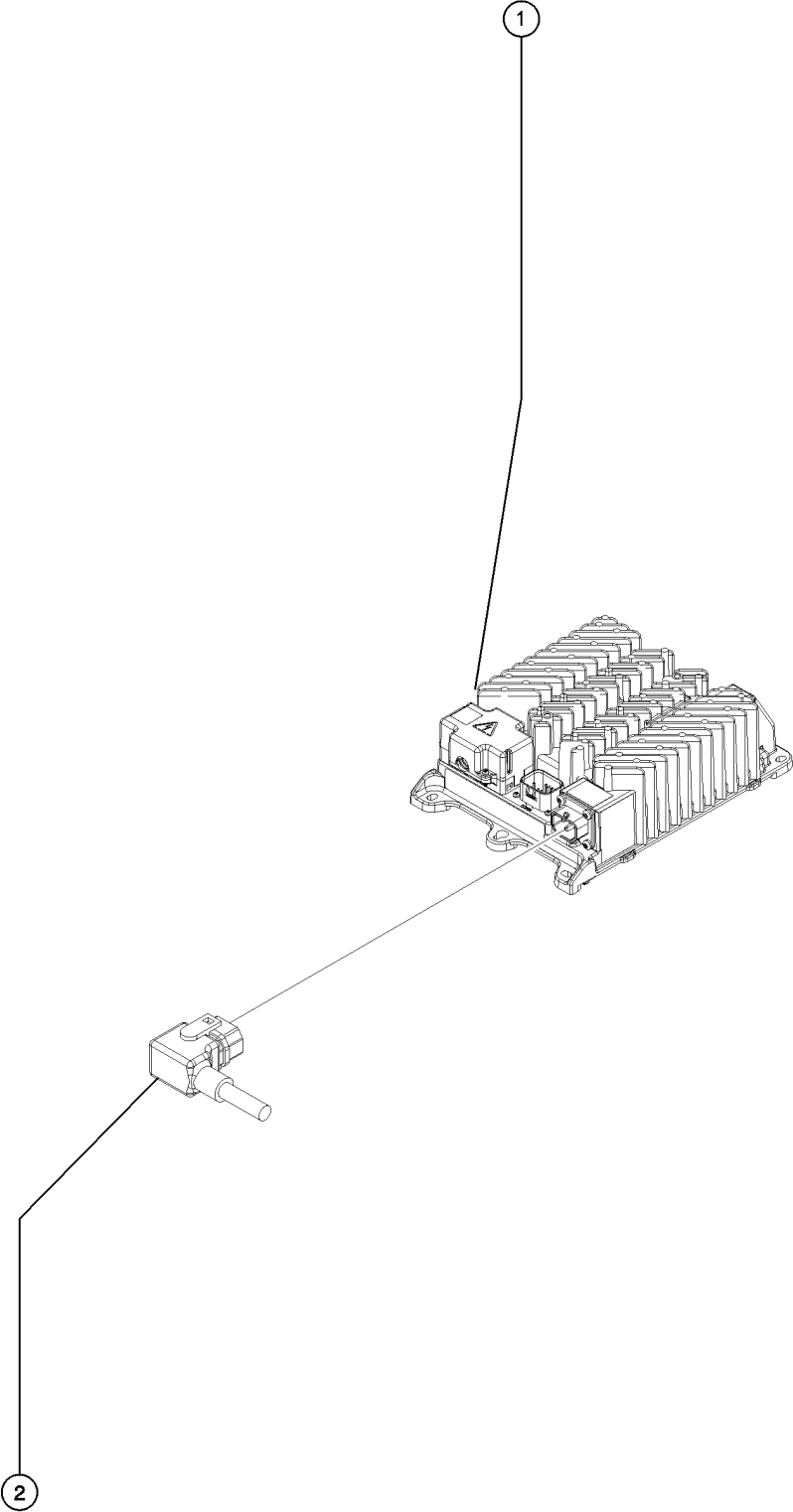


204.1 Chassis Components

Item	Part No.	Description	Qty.
25	54380GT	SCREW,PHILLIPS,PHM,8-32 X .875	8
26	76700GT	LIMIT SWITCH ASSY, W/CONNECTOR	4
27	824091GT	SCREW, HHF, 3/8-16 X 1.25, 8, ZAG	8
28	76690GT	PLATE, L/S MOUNT TZ34	4
29	1305080GT	WELDMENT, ANSI FENDER ASSY LH, TZ34	
30	87380GT	TIRE/WHEEL ASSY,EURO,TZ34	2
31	87761GT	GROMMET,RUBBER 1.00X1.38X.188	6
32	74267GT	CONTACTOR,DRIVE,24V,180A***	1
33	824068GT	SCREW, HHC, 3/8-16 X 1.25, 8, ZAG	1
34	1274166GT	NUT,NYLOCK,3/8-16,C,ZAG	1
35	1255758GT	WASHER,FLAT,3/8,USS,ZAG	1
36	217314GT	BRKT, DUAL CB VALVE & CONTACTOR	1
37	825674GT	SCREW, HHC, 5/16-18X2,8,ZAG	2
38	1274321GT	NUT,NYLOCK,5/16-18,C,ZAG	2
39	825349GT	SCREW,PHPM,10-32X.38,ZAG	4
40	1253185GT	WASHER,FLAT,#10,USS,ZAG	4
41	87381GT	WELDMENT,BASE,TZ34**	1
42	99858GT	FORMING,MAST CRADLE TZ-34***	1
43	824060GT	SCREW, HHC, 1/4-20 X 1, 8, ZAG	2
44	66397GT	QUICK DISCONNECT CASING, BATT**	1
45		Ref. HYDRAULIC POWER UNIT	
		refer 601.1	
46	40833GT	FUSE, 275AMP, VERY FAST ACTING	1
47	66717GT	FUSE BLOCK, ANN & ANL FUSE	1



205.1 Battery Charger

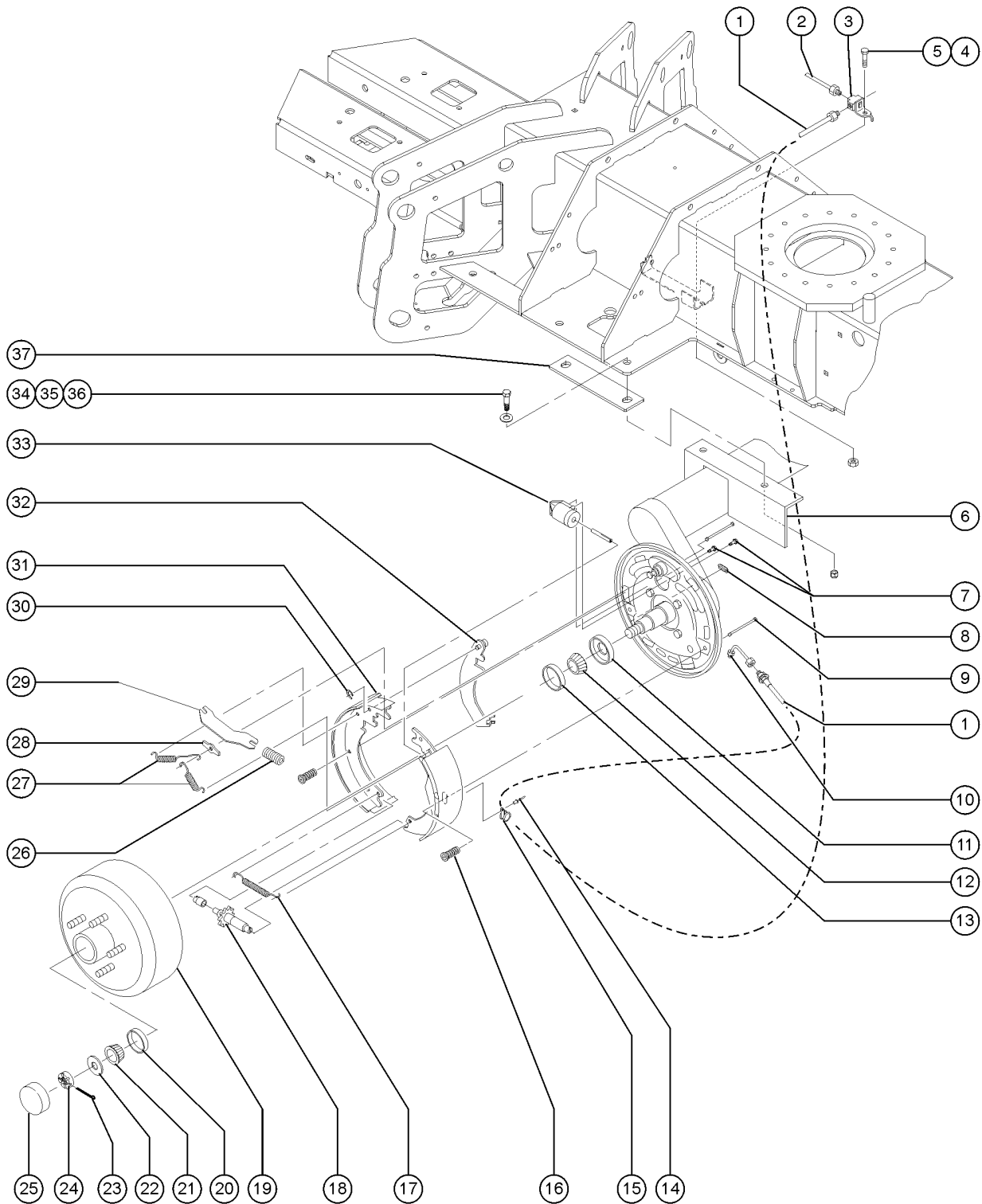


205.1 Battery Charger

<i>Item</i>	<i>Part No.</i>	<i>Description</i>	<i>Qty.</i>
-	97059GT	FUSE,BATTERY CHARGER*** for 5-LED battery charger	
-	105334GT	CONNECTOR, IEC CHARGER CORD for 5-LED battery charger	
1	1264372GT	CHARGER,24V,650W,USB	1
2	1277780GT	POWER CORD, IEC 320, 90°	1



206.1 Hydraulic Brake and Axle - ANSI and CSA Models

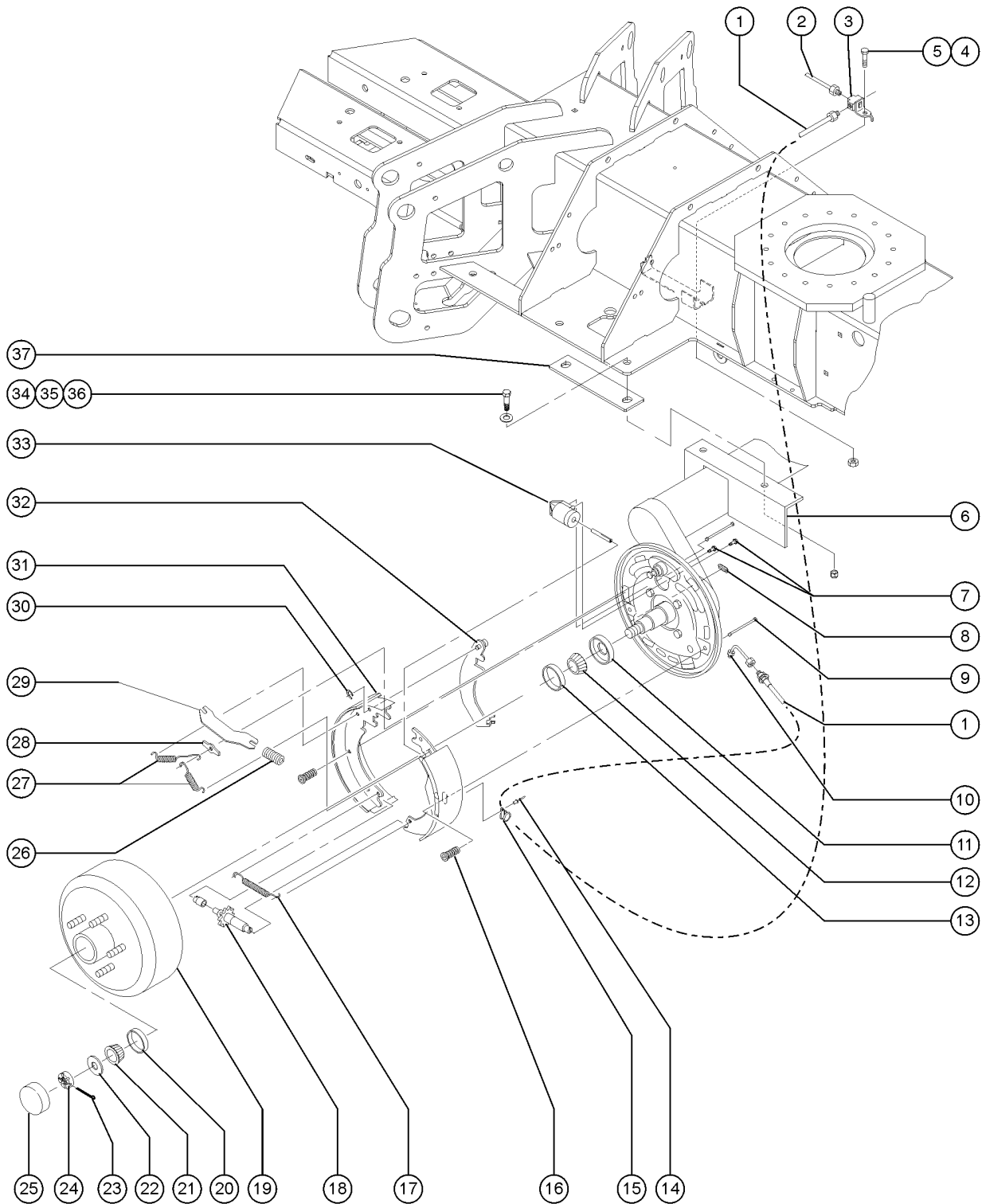


206.1 Hydraulic Brake and Axle - ANSI and CSA Models

Item	Part No.	Description	Qty.
-	99030GT	KIT, HYDRAULIC BRAKE LINES, TZ34 includes items 1, 2 and 3	
-	T106329GT	ASSEMBLY, LH BRAKE, TZ includes items 7, 9, 16-18 and 26-33	
-	T106330GT	ASSEMBLY, RH BRAKE, TZ includes items 7, 9, 16-18 and 26-33	
1	125650GT	BRAKELINE, FLEXIBLE, 18"	2
2	99031GT	HARDLINE, BRAKE, LONG	1
3	48309GT	FITTING, TEE, BRAKE LINE	1
3	48308GT	CLIP, BRAKE HOSE (for 48309)	
4	6175GT	SCREW, HHC, 3/8-16 X 1	
5	4828GT	NUT, NYLOCK, 3/8-16	
6	87377GT	AXLE ASSY, HYD. BRAKE	1
7	75816GT	SCREW, HEX STAR WASHER GT10	1
8	75817GT	COVER, HOLE RUBBER GT10	1
9	89293GT	PIN, SHOE HOLD DOWN SECONDARY	1
10	99032GT	HARDLINE, BRAKE, SHORT	2
11	52265GT	SEAL, GREASE (SL173)	1
12	52264GT	INNER BEARING CONE (L68149)	1
13	52263GT	INNER BEARING CUP (L68111)	1
14	7265GT	RIVET, STEEL, P, .25 X .375	
15	16073GT	CLAMP, 0.63, #10 X 1/4, RUB CUSH	1
16	75815GT	SPRING, SHOE HOLD DOWN GT10	2
17	80254GT	SPRING, ADJUSTING SCREW***	1
18	80257GT	ADJUSTING SCREW ASSY(80234, 35)	1
19	52255GT	HUB, 10X2.25", STUDDED 1/4-20, TMZ	1
19-	44649GT	BOLT, LUG, SPARE TIRE, TMZ34	
20	52256GT	OUTER BEARING CUP (L44610)	1
21	52257GT	OUTER BEARING CONE (L44649)	1
22	52258GT	WASHER - SPINDLE	
23	84707GT	COTTER PIN	1



206.1 Hydraulic Brake and Axle - ANSI and CSA Models

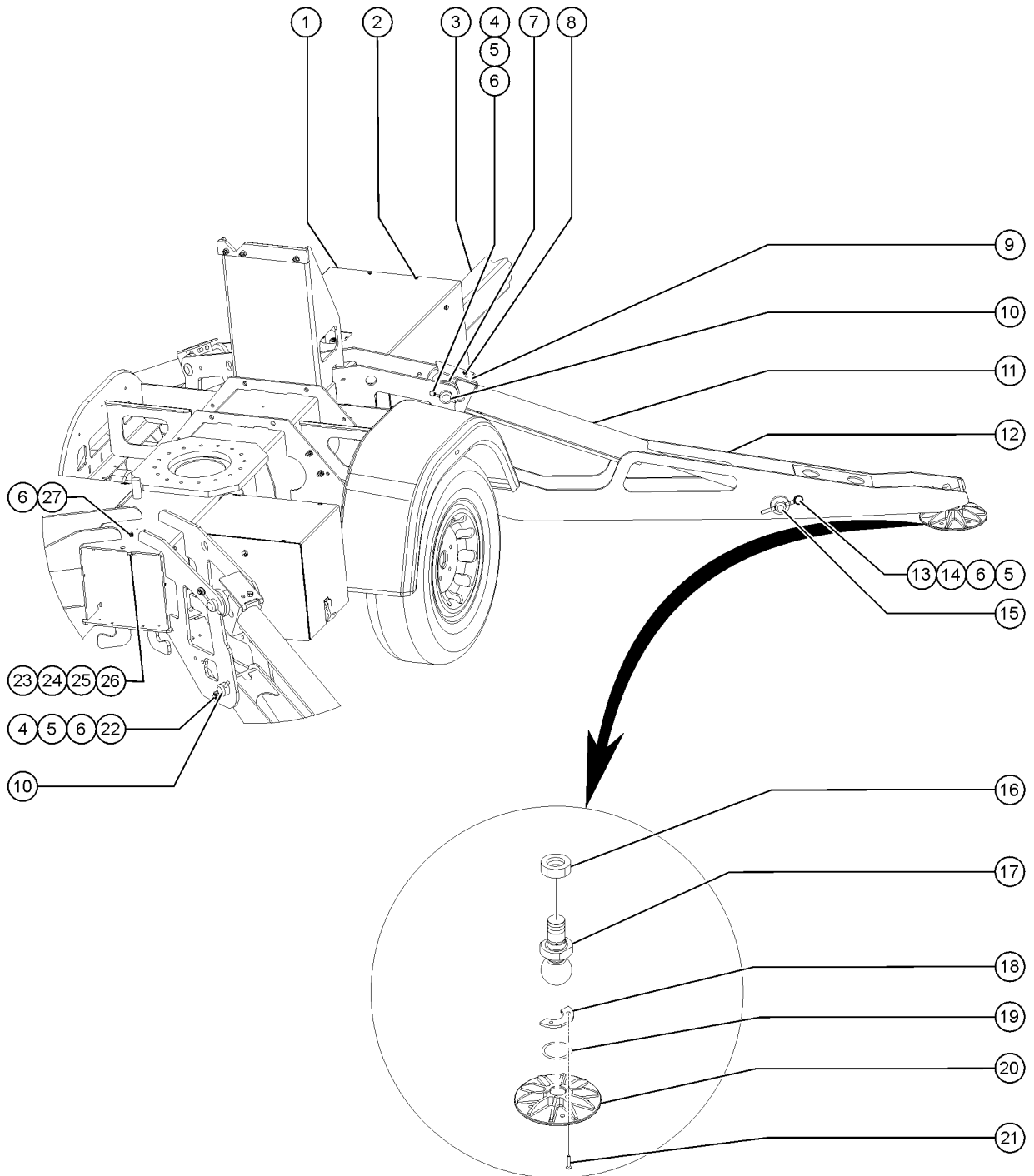


206.1 Hydraulic Brake and Axle - ANSI and CSA Models

Item	Part No.	Description	Qty.
24	52259GT	NUT, SPINDLE, 6-11/16**	1
25	52260GT	CAP - GREASE	1
26	84709GT	PARKING STRUT SPRING	1
27		SPRING, REAR BRAKE SHOE(80234,5 No longer available	2
28	62147GT	PAD-ANCHOR POST, HYD BRK-59944*	1
29	84710GT	PARKING STRUT	1
30	84711GT	RETAINER	1
31	1279831GT	BRAKE KIT, DEXTER, TZ34 includes four brake shoes to service both sides of axle	1
32	84714GT	PARKING LEVER & PIN ASSY, LEFT	1
32B	84715GT	PARKING LEVER & PIN ASSY, RIGH	
33	80237GT	WHEEL CYLINDER, LH (80235) (replaced 75843) (push rod required; order separately)	1
33B	80236GT	WHEEL CYLINDER, RH (80234) (replaced 75844) push rod required; order separately	1
33C	80238GT	PUSH ROD, WHEEL CYL(80234, 80235 for 80236, 80237	2
34	29883GT	SCREW, HHC, 5/8-11 X 1.75 GRD.8	4
35	13064GT	WASHER, FLAT, .625 HARDENED	
36	6024GT	NUT, NYLOCK, 5/8-11	
37	160741GT	KIT, AXLE SPACERS, TZ-34 (includes instructions and items 34, 35, 36 and 160426)	2
37-	160426GT	SPACER, AXLE, TZ-34	



207.1 Outrigger Components

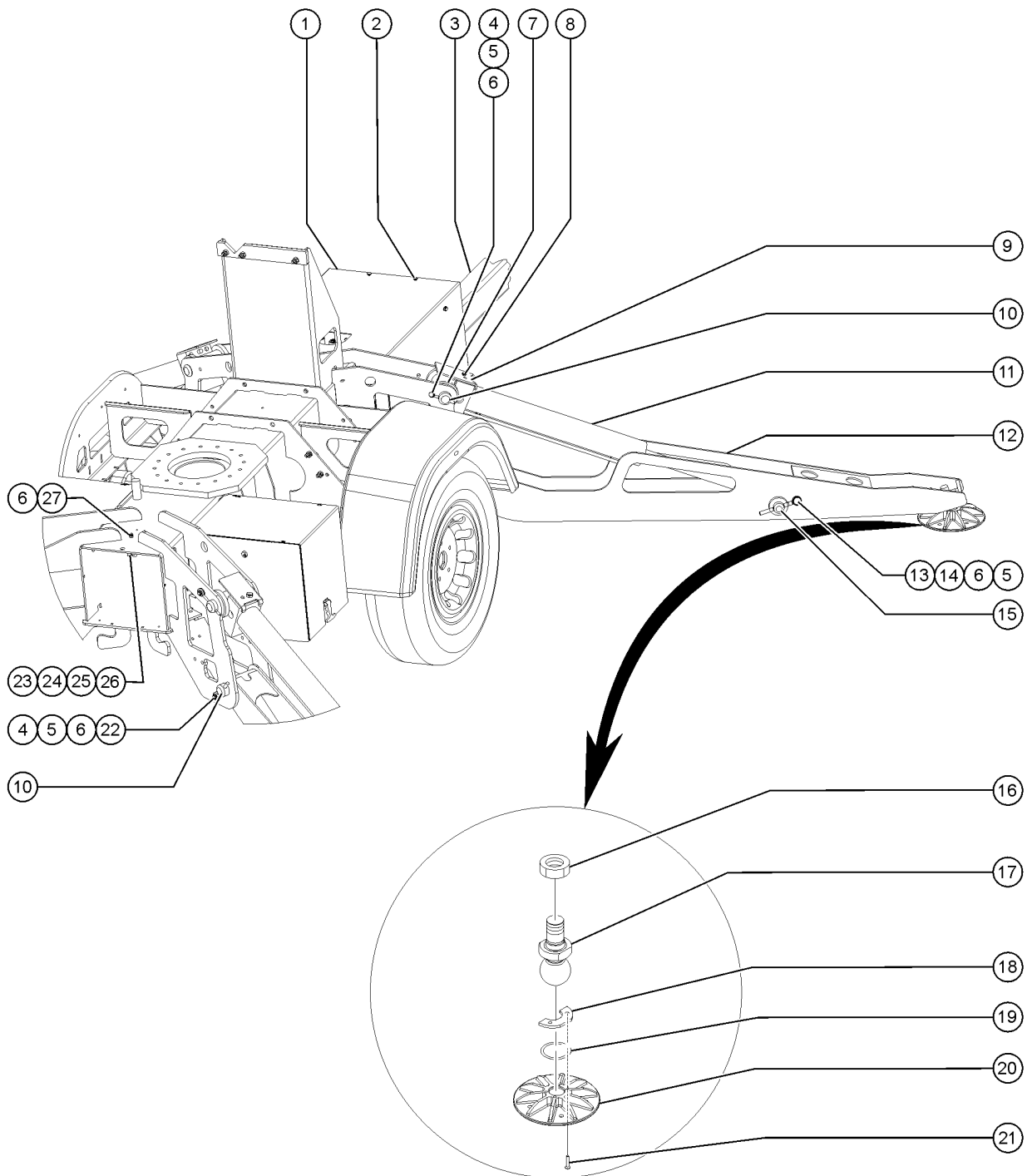


207.1 Outrigger Components

Item	Part No.	Description	Qty.
	99255GT	KIT,TZ34 NON-MARKING FOOTPAD (four complete footpads including items 6, 16-21)	
1	84721GT	HYD UNIT COVER ASSY, WORD DECA (fasteners not included)	1
1A-	4828GT	NUT, NYLOCK, 3/8-16 (Cover mounting fasteners)	
1A-	5397GT	WASHER, FLAT, USS, 5/16-18 (Cover mounting fasteners)	
1A-	6019GT	SCREW,HHC,3/8-16 X 1.25 GRD 5 (Cover mounting fasteners)	
1B	84722GT	HYD UNIT COVER ASSY, SYMBOL (Fasteners not included)	
1B-	4828GT	NUT, NYLOCK, 3/8-16 (Cover mounting fasteners)	
1B-	5397GT	WASHER, FLAT, USS, 5/16-18 (Cover mounting fasteners)	
1B-	6019GT	SCREW,HHC,3/8-16 X 1.25 GRD 5 (Cover mounting fasteners)	
2	46716GT	BUMPER, SNAP-IN	2
3		Refer Tongue Assembly	
4	824092GT	SCREW, HHF, 3/8-16 X 1.5, 8, ZAG	8
5	825019GT	ROD END, .375X3.69, ZAG	12
6	1274322GT	NUT,NYLOCK FLG,3/8-16,F,ZAG	14
7	87446GT	WEARPAD,OUTRIGGER	8
8	1256857GT	SCREW,HHF,3/8-16X.625,8,ZAG	4
9	99072GT	FORMING,OUTRIGGER HOSE GUARD	4
10	76696GT	PIN,1.50 DIA X 7.00"LG,1HOLE	8
11		CYLINDER, OUTRIGGER TZ34, Refer 601.1	1
12	87396GT	WELDMENT,OUTRIGGER,TZ34***	4
13	824093GT	SCREW, HHF, 3/8-16 X 1.75, 8, ZAG	4
14	44723GT	SPACER,OUTRIGGER PIN***	4
15	87452GT	PIN,OUTRIGGER CYLINDER	4
16	1274177GT	NUT,NYLOCK,7/8-9,C,ZAG	4
17	87451GT	POST,FOOTPAD	4
18	109860GT	PLATE,FOOT RETAINER	4
19	109898GT	O-RING, 0.094 X 1.31 X 1.5	4
20	109859GT	FOOTPAD,CASTING,OUTRIGGER***	4



207.1 Outrigger Components

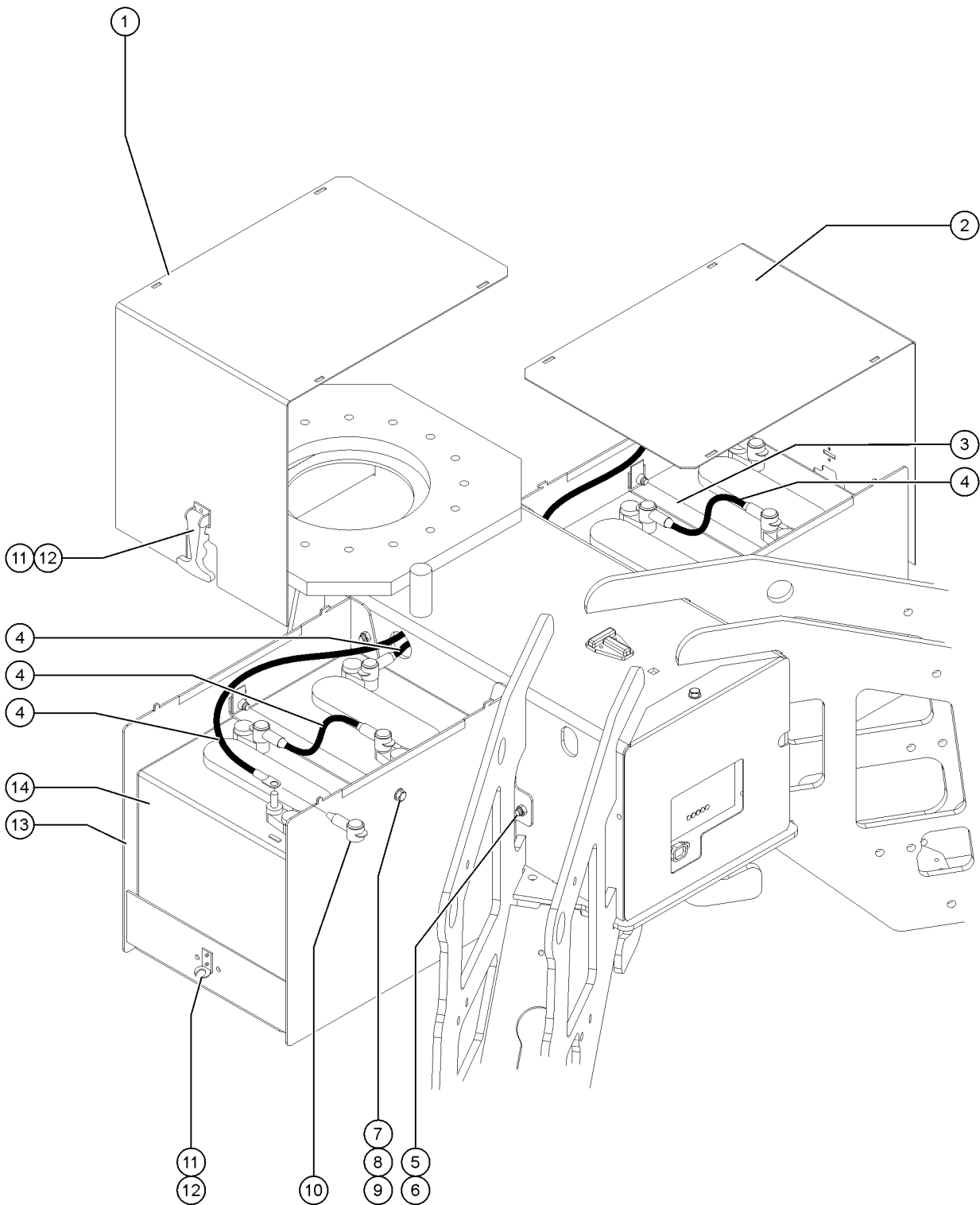


207.1 Outrigger Components

<i>Item</i>	<i>Part No.</i>	<i>Description</i>	<i>Qty.</i>
21	1310769GT	SCREW,FHS,1/4-20X1.38,NP,ZAG	16
22	18396GT	BEARING,1.5IDX1.75ODX1.0L	8
23	99430GT	FORMING,TEE CLAMP TZ-34	2
24	99431GT	PLATE,TEE CLAMP TZ-34	2
25	1259201GT	BOLT,CARRIAGE,10-24X2,A,ZAG	2
26	1274170GT	NUT, NYLOCK, 10-24, A, ZAG	2
27	824125GT	BOLT, CARRIAGE, 3/8-16 X 1, 5, ZAG	2



208.1 Battery Box

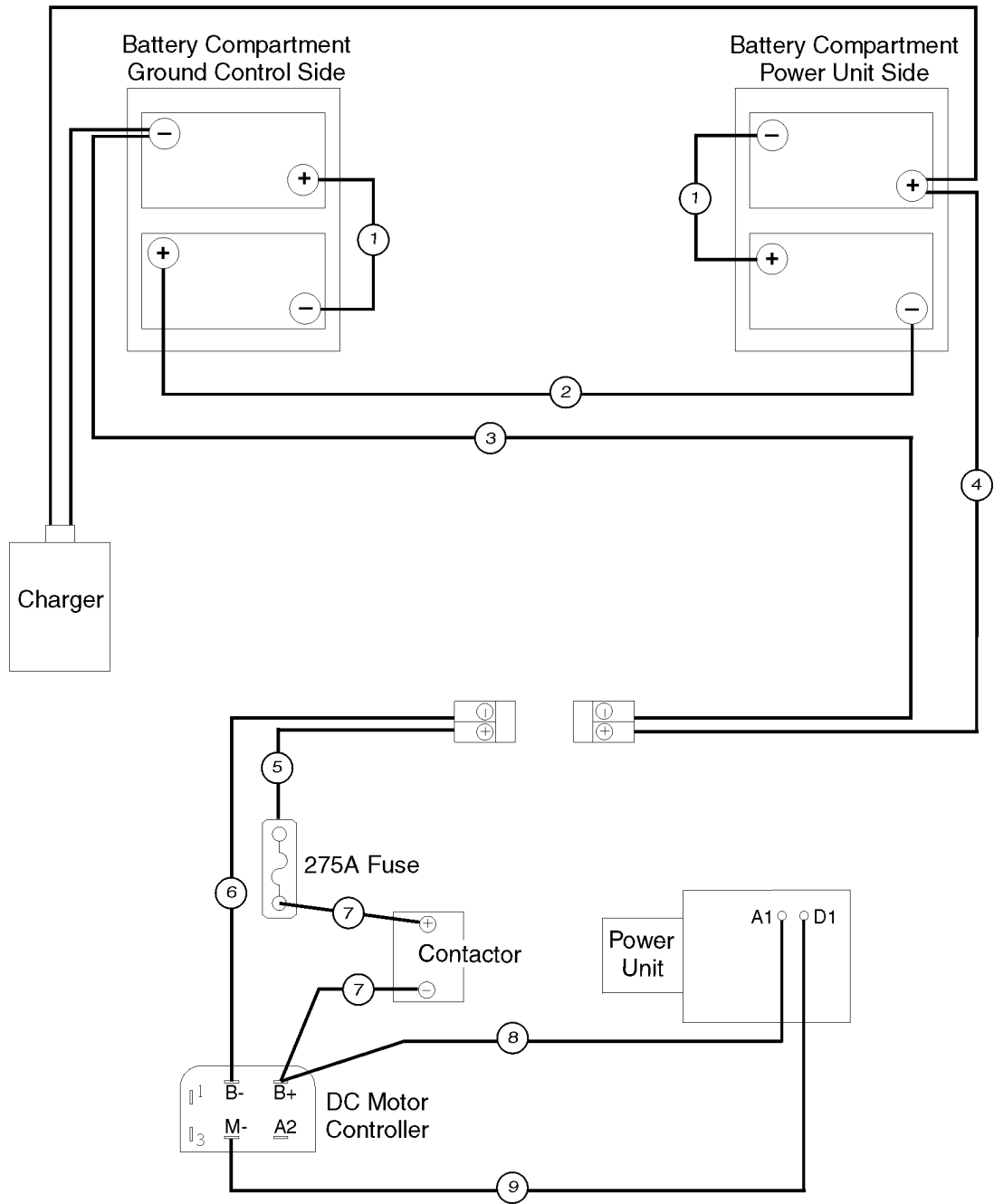


208.1 Battery Box

<i>Item</i>	<i>Part No.</i>	<i>Description</i>	<i>Qty.</i>
1	84661GT	BATT COVER ASSY, WORD DECALS models with word decals	2
1B	84703GT	BATT COVER, SYMBOL DECALS models with symbol decals	
2	87430GT	FORMING,BATTERY COVER	2
3	87468GT	BRACKET,BATTERY HOLD DOWN	2
4		Ref. Battery Cable Assembly (refer to 209.1)	
5	1274166GT	NUT,NYLOCK,3/8-16,C,ZAG	8
6	824125GT	BOLT, CARRIAGE, 3/8-16 X 1, 5, ZAG	8
7	824059GT	SCREW, HHC, 1/4-20 X .75, 8, ZAG	4
8	824113GT	WASHER,FLAT,1/4,USS,ZAG	4
9	25969GT	SPRING CLIP, 1/4-20 BLACK	4
10	8910GT	BOOT,CABLE TERM,MED.RED,4/0	7
11	57881GT	LATCH, RUBBER, 3-13/32 X 1-7/8	2
12	7264GT	RIVET,STL,STL,P,.125 X .5	6
13	87439GT	WELDMENT,BATTERY BOX	2
14	76494GT	BATTERY, 6V, 225AH, T105, ELPT	4



209.1 Power Cables

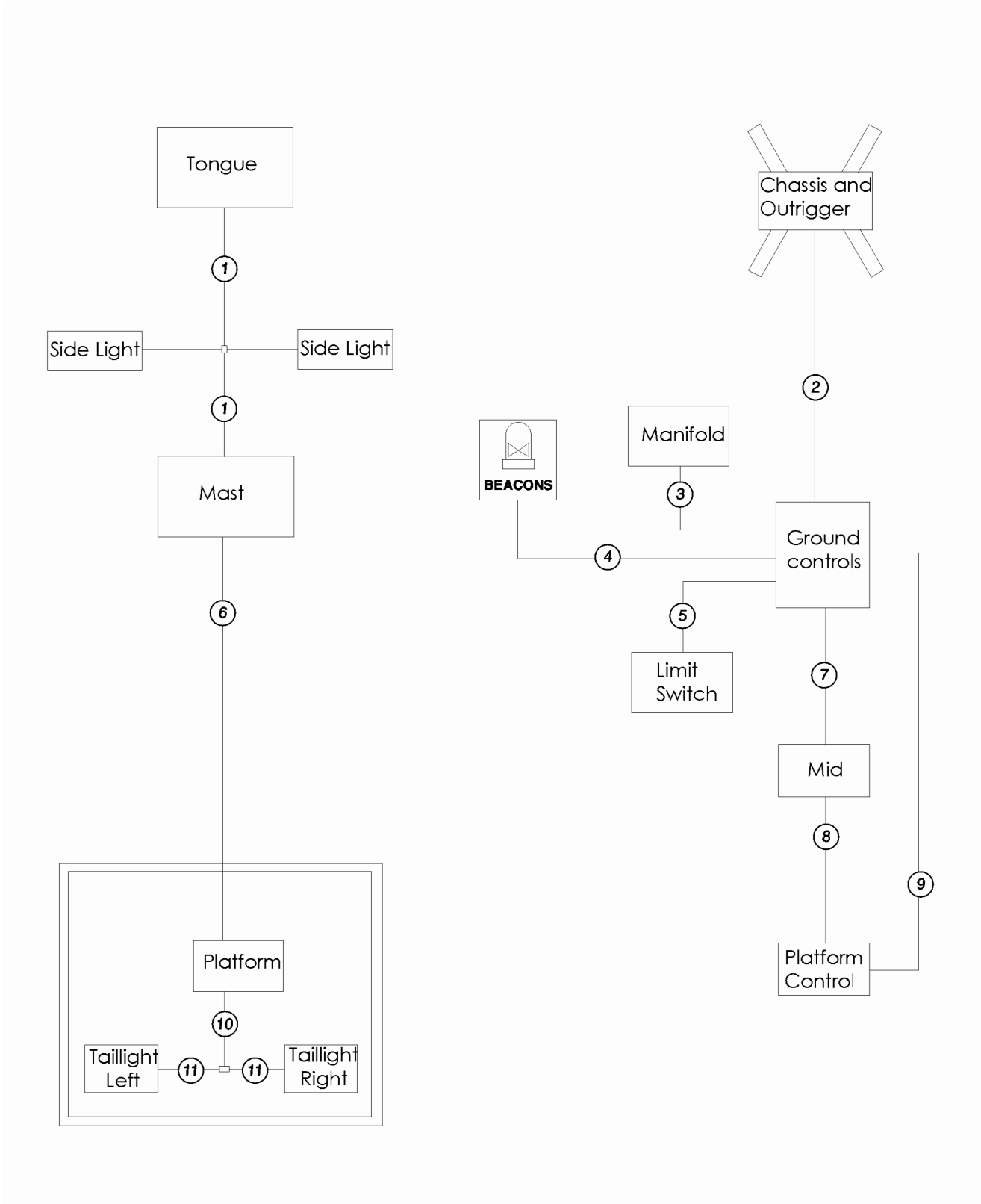


209.1 Power Cables

<i>Item</i>	<i>Part No.</i>	<i>Description</i>	<i>Qty.</i>
		Ref. Fuse, 275A (refer to 205.1)	
1	84313GT	CABLE ASSY,RED@4.25"-TZ34	2
2	84314GT	CABLE ASSY,RED@ 35"-TZ34	2
3	84315GT	CABLE ASSY,BLACK @ 59"-TZ34	1
4	84316GT	CABLE ASSY,RED @ 74"-TZ34	1
5	84317GT	CABLE ASSY,RED@13"-TZ34	1
6	84318GT	CABLE ASSY,BLACK @ 21"-TZ34	1
7	232526GT	CABLE ASSY, #2 X 13.5 LG	2
7-	8910GT	BOOT,CABLE TERM,MED.RED,4/0	2
8	84320GT	CABLE ASSY,RED @ 16"-TZ34	1
9	84321GT	CABLE ASSY,BLACK @ 16"-TZ34	1



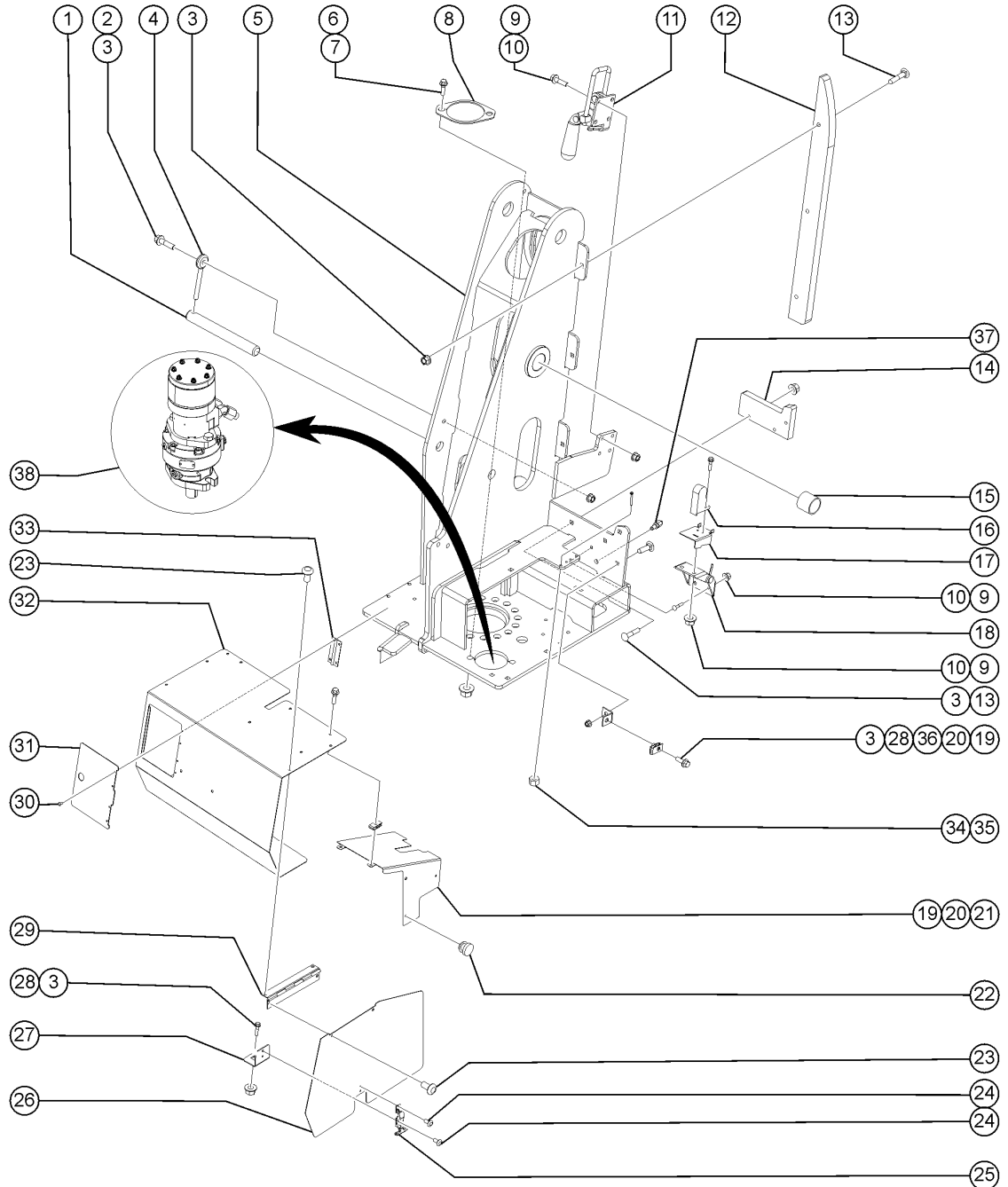
210.1 Electrical Wiring



Item	Part No.	Description	Qty.
	76700GT	LIMIT SWITCH ASSY, W/CONNECTOR	
1	99235GT	HARNESS, TAILLIGHT, TONGUE, ANSI	
2	236709GT	HARNESS, BASE CTRL TO CHASSIS	
2B	104353GT	HARNESS, CONTROLS TO CHASSIS, AC DC	
3	104791GT	HARNESS, BASE CTRL TO MANIFOLD*	
4	105472GT	BEACON HARNESS, TZ34	1
5	99285GT	LIMIT SWITCH, DUAL W/HARNESS	
6	105436GT	HARNESS, TAIL LIGHT MAST TZ34 ANSI models	
9	99090GT	HARNESS, BASE CTRL TO PLAT S	
9B	215243GT	HARNESS, BASE CONTROL BOX TO P	
10	105437GT	HARNESS, TAIL LIGHT PLAT TZ34 ANSI models	
11	105435GT	HARNESS, LIGHT ANSI TZ34 ANSI models	



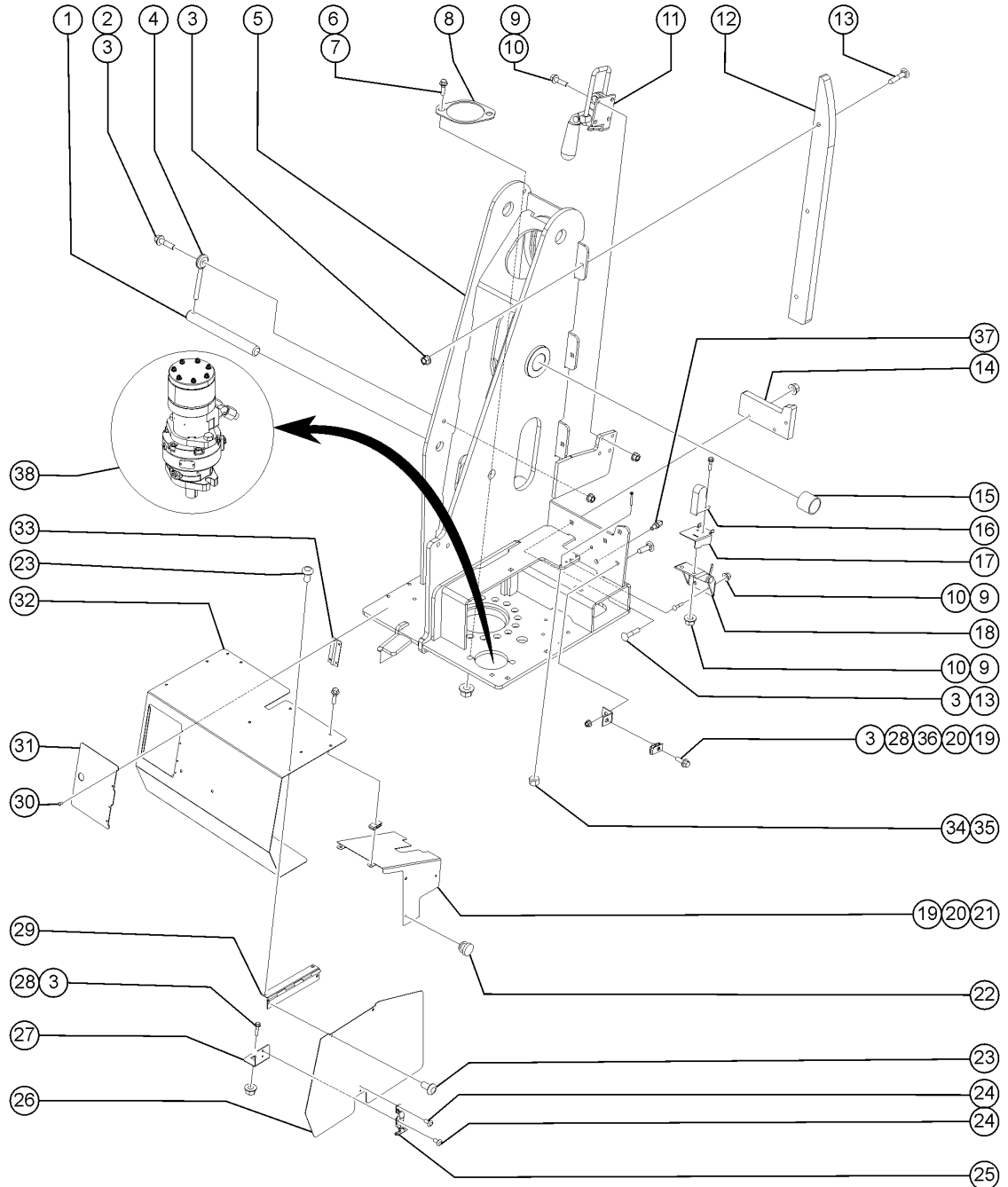
301.1 Turntable Components - View 1



Item	Part No.	Description	Qty.
1	87816GT	PIN,1 X 8.5	1
2	824092GT	SCREW, HHF, 3/8-16 X 1.5, 8, ZAG	1
3	1274322GT	NUT,NYLOCK FLG,3/8-16,F,ZAG	10
4	825019GT	ROD END, .375X3.69, ZAG	1
5	104744GT	WELDMENT,TURNTABLE***	1
6	1255782GT	SCREW,HHC,1/2-13X2.0,8,ZAG	2
7	1274172GT	NUT,NYLOCK FLG,1/2-13,G,ZAG	2
8	1254688GT	SPACER, BRAKE, ROTATE, TZ-34	1
9	824087GT	SCREW, HHF, 5/16-18 X 1.25, 8, ZAG	8
10	1274167GT	NUT,NYLOCK FLG,5/16-18,F,ZAG	8
11	43456GT	CLAMP,TOGGLE,MAST HOLD DOWN	1
12	79544GT	WEARPAD,BOOM LOWERING,SIDE	1
13	1258623GT	BOLT,CARRIAGE,3/8-16X2.0,5,ZAG	6
14	218057GT	WEAR PAD, BOOM LOWERING, BOTTOM, CE	1
15	45071GT	BEARING,1.5IDX1.75ODX1.5L	1
16	218056GT	WEAR PAD, LIMIT SWITCH DOOR, CE	1
17	105533GT	FORMING,LIMIT SWITCH DOOR	1
18	104804GT	HINGE, SPRING, LONG LEG	1
19	824078GT	SCREW,HHF,1/4-20X.75,8,ZAG	4
20	56912GT	SPRING CLIP,1/4-20,.025-.15X.54,ZAG	4
21	825101GT	TURNTABLE COVER, SECONDARY, TZ-34	1
22	46716GT	BUMPER, SNAP-IN	2
23	7265GT	RIVET,STEEL,P, .25 X .375	4
24	7264GT	RIVET,STL,STL,P,.125 X .5	3
25	57881GT	LATCH, RUBBER, 3-13/32 X 1-7/8	1
26	825118GT	TURNTABLE COVER, LEFT DOOR, TZ-34	1
27	825166GT	LATCH BRACKET, TURNTABLE COVER, TZ-34	1
28	1255757GT	BOLT,CARRIAGE,3/8-16X1.25,5,ZAG	2



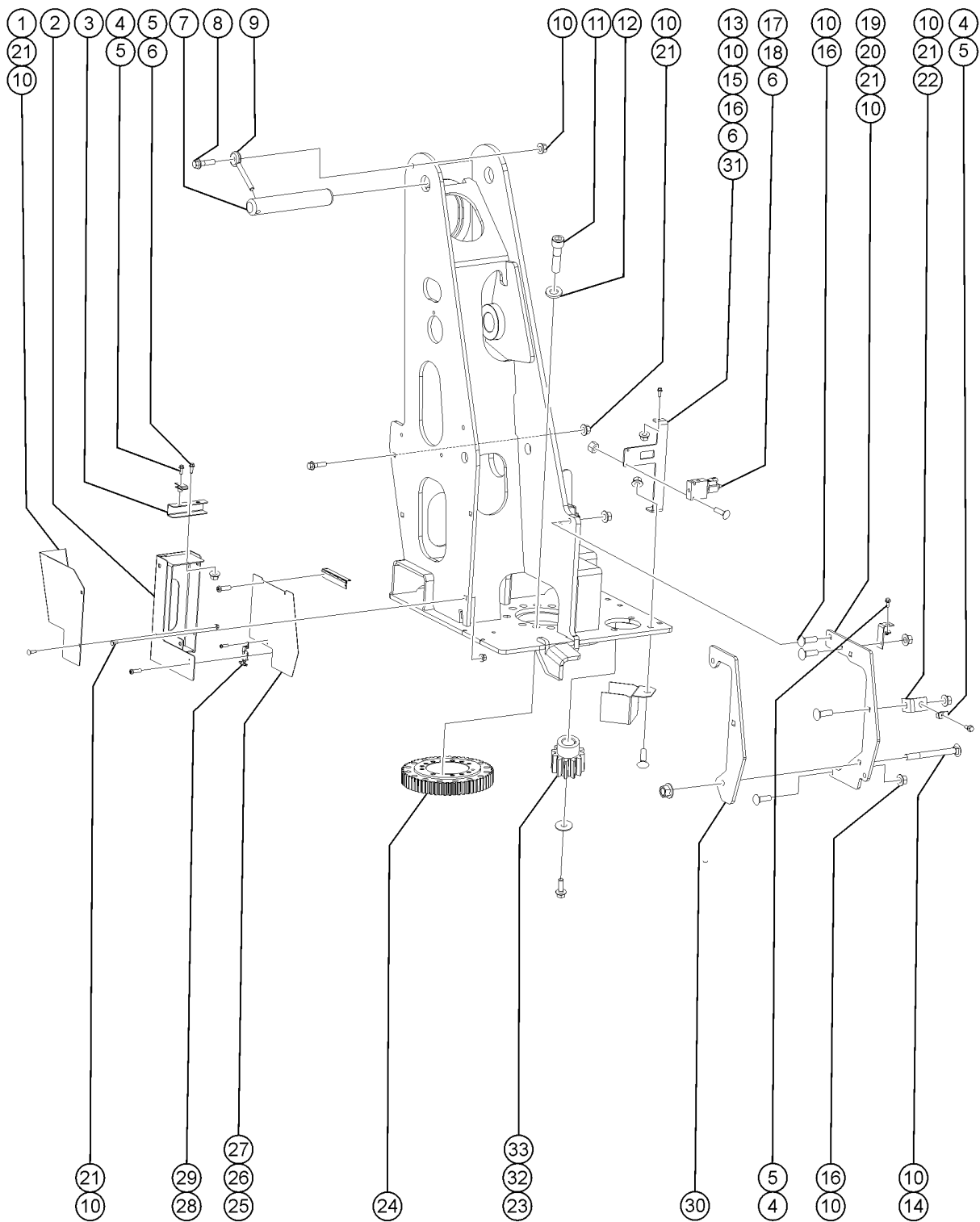
301.1 Turntable Components - View 1



<i>Item</i>	<i>Part No.</i>	<i>Description</i>	<i>Qty.</i>
29	69735GT	HINGE, OFFSET, COVER, CTRLS	1
30	55096GT	RIVET,ALUM,ALUM,P, .125 X .337	8
31	105604GT	PLATE,HYD ACCESS DOOR	1
32	1251921GT	WELDMENT, TURNTABLE COVER, TZ-34	1
33	69510GT	HINGE, BATTERY MOUNT	2
34	1256177GT	SCREW,PHPM,10-32X1.75,ZAG	4
35	1274168GT	NUT,NYLOCK,10-32,A,ZAG	4
36	79569GT	BRACKET,COVER MOUNT	1
37	104735GT	GREASE HOSE ASSEMBLY	1
38	1322206GT	ASSY, MOTOR/BRAKE, SWING DRIVE, TZ34	1



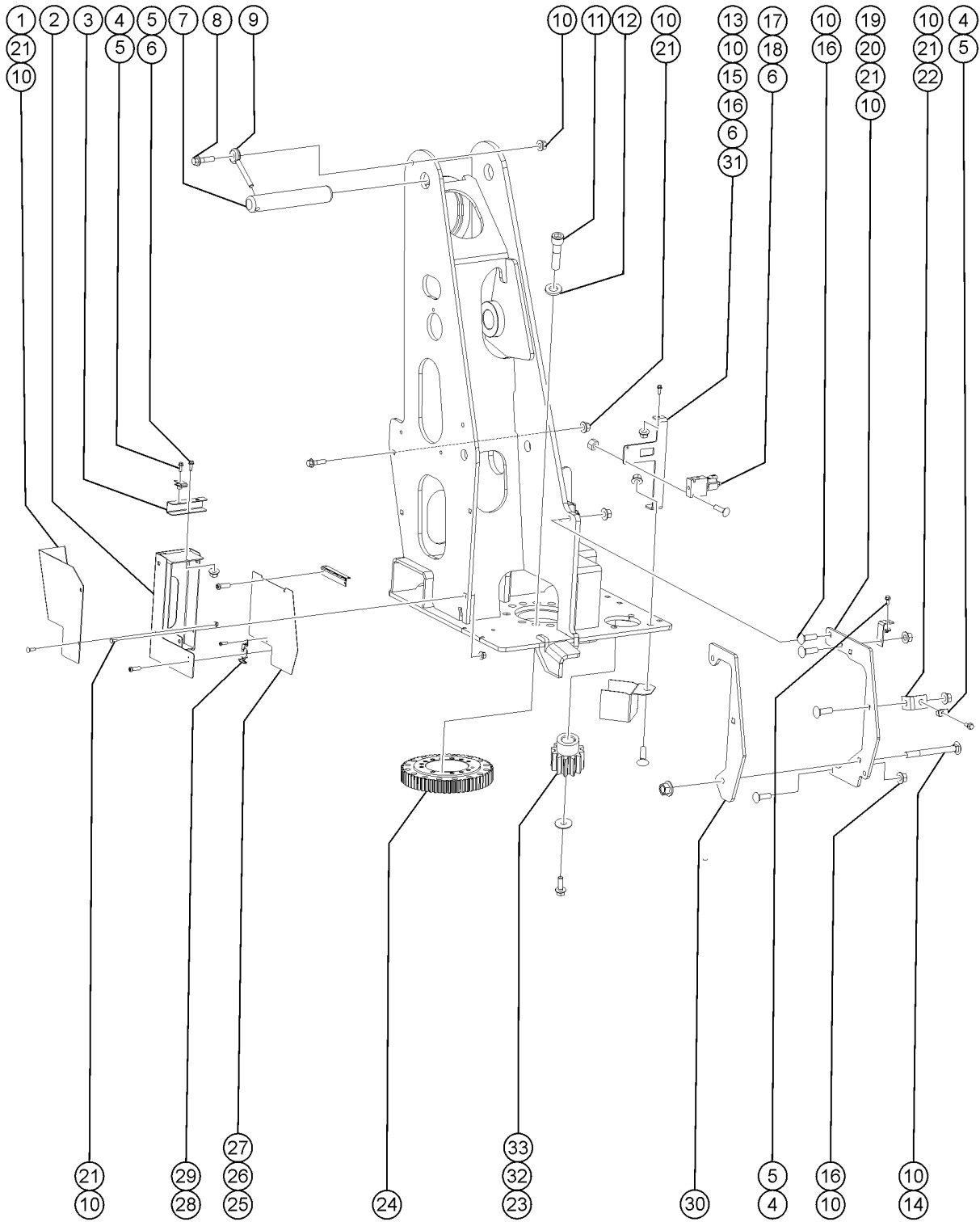
302.1 Turntable Components - View 2



Item	Part No.	Description	Qty.
1	79547GT	FORMING,CONTRL BOX CABLE COVER	1
2	104005GT	WELDMENT,TURNTABLE FRAME RT	1
3	1252006GT	BRACKET, SPACER	1
4	56912GT	SPRING CLIP,1/4-20,.025-.15X.54,ZAG	4
5	824078GT	SCREW,HHF,1/4-20X.75,8,ZAG	5
6	1277924GT	NUT,NYLOCK FLG,1/4-20,F,ZAG	4
7	76695GT	PIN,1.50 DIA X 8.75"LG,1HOLE	1
8	824092GT	SCREW, HHF, 3/8-16 X 1.5, 8, ZAG	1
9	825019GT	ROD END, .375X3.69, ZAG	1
10	1274322GT	NUT,NYLOCK FLG,3/8-16,F,ZAG	14
11	824106GT	SCREW, SHC, 5/8-11 X 2.75, A574, ZAG	15
12	1256182GT	WASHER,FLAT,5/8,F436,HRD,ZAG	15
13	825186GT	TURNTABLE COVER, SUPPORT BRACK	1
14	1256917GT	BOLT,CARRIAGE,3/8-16X4.0,5,ZAG	2
15	99232GT	FORMING,PINION GUARD	1
16	1256756GT	BOLT,CARRIAGE,3/8-16X1.5,5,ZAG	3
17	1255049GT	ASSEMBLY, MANIFOLD AND SOLENOID	1
18	824082GT	SCREW, HHF, 1/4-20 X 1.75, 8, ZAG	2
19	79625GT	PLATE,LIFT MANIFOLD SUPPORT,LT	1
20	1251922GT	BRACKET, COVER MOUNT, TOP	1
21	1255757GT	BOLT,CARRIAGE,3/8-16X1.25,5,ZAG	9
22	79569GT	BRACKET,COVER MOUNT	2
23	87721GT	GEAR,PINION 5/7 D.P	1
24	87410GT	BEARING,ROTATION	1
25	825163GT	TURNTABLE COVER, RIGHT DOOR, TZ-34	1
26	69735GT	HINGE, OFFSET, COVER, CTRLS	1
27	7265GT	RIVET,STEEL,P, .25 X .375	4
28	57881GT	LATCH, RUBBER, 3-13/32 X 1-7/8	1



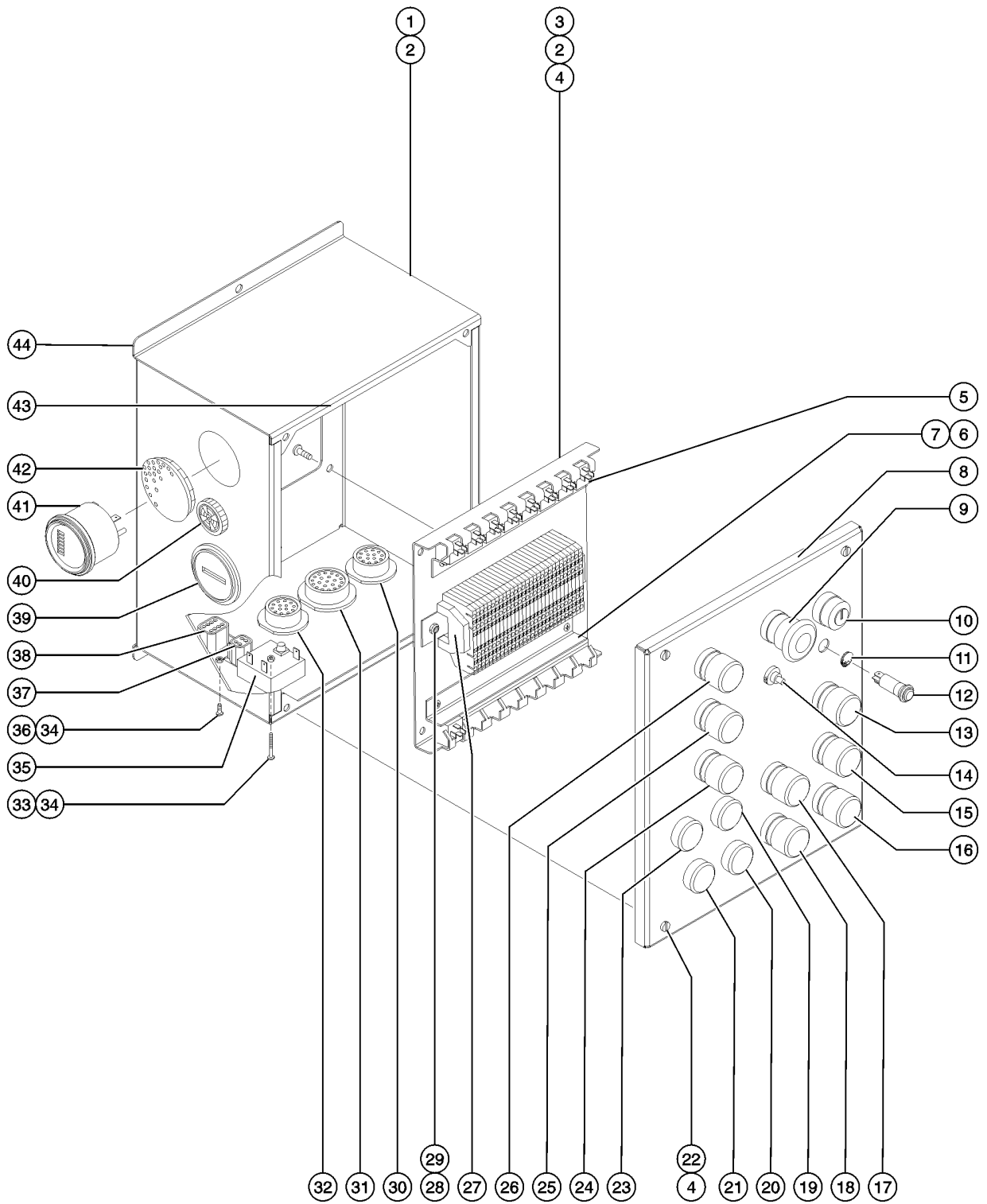
302.1 Turntable Components - View 2



<i>Item</i>	<i>Part No.</i>	<i>Description</i>	<i>Qty.</i>
29	7264GT	RIVET,STL,STL,P, .125 X .5	3
30	79624GT	PLATE,LIFT MANIFOLD SUPPORT,RT	1
31	824079GT	SCREW,HHF,1/4-20X1,8,ZAG	1
32	824086GT	SCREW, HHF, 5/16-18 X 1, 8, ZAG	1
33	824122GT	WASHER, FLAT, .375 X 1.25 X .062, ZAG	1



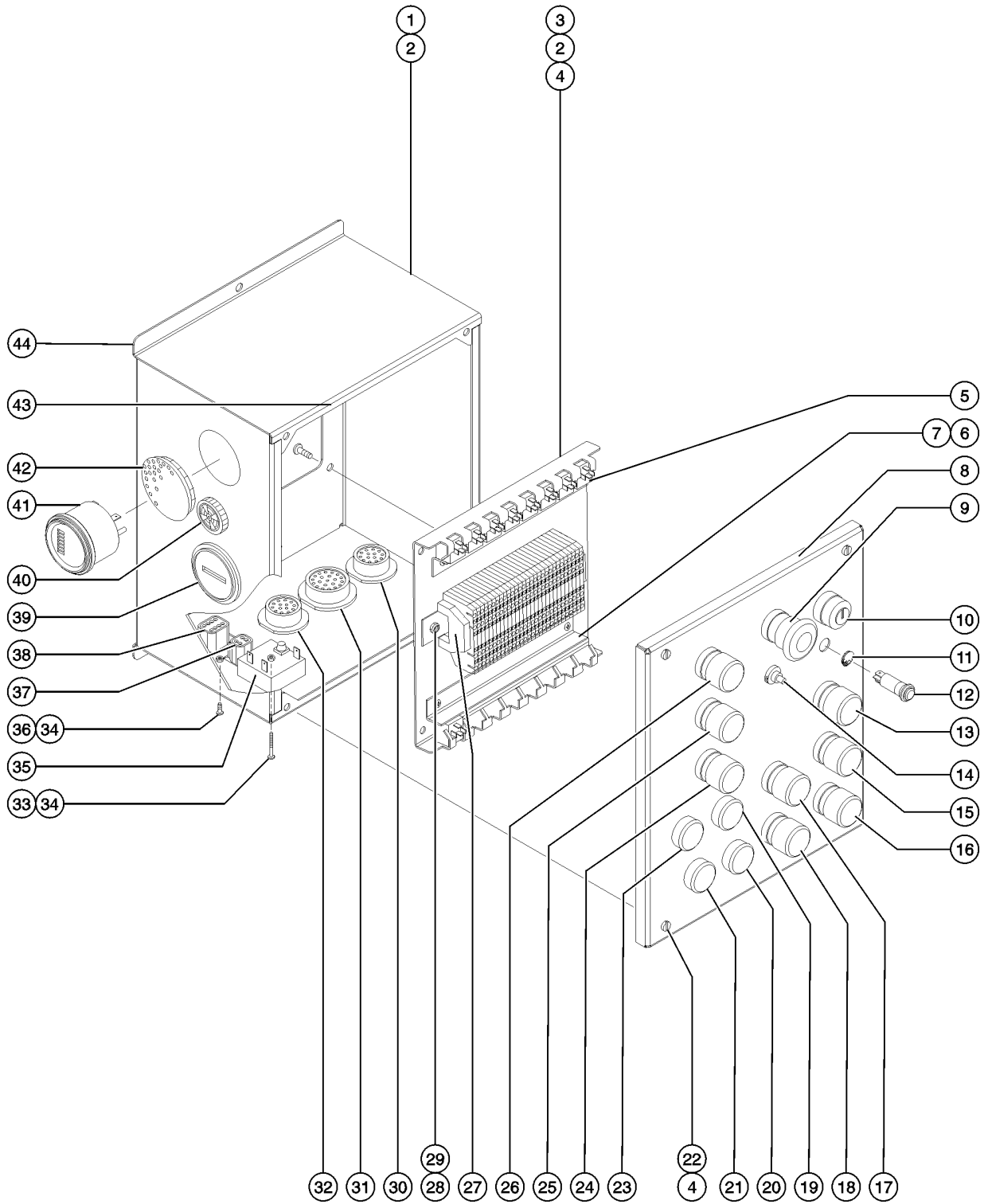
303.1 Ground Control Box



Item	Part No.	Description	Qty.
-	215265GT	WELDMENT, CONTROL BOX, LOWER,	
1	104302GT	KIT, TZ34 CONTROL BOX LOWER*** (includes items 2-4, 6-8, 22 and 43)	
2	23405GT	NUTSERT, 10-32 STEEL CAD PLTD	
3	104705GT	FORMING, RELAY MOUNT TZ34 LWR	
4	49819GT	SCREW, PHILLIPS, PHM, 10-32 X .5	
5	56302GT	RELAY, 24VDC, 40/30A, SEALED*** model with load sense	15
6	104489GT	FORMING, RELAY HOLDER TZ34 LWR	2
7	49818GT	SCREW, PHILLIPS, PHM, 10-32 X .38	
8	115031GT	LID ASSY, GRND COUNT W/DECALS	1
9	226322GT	ASM, E-STOP & BOOT	1
9-	66817GT	E-STOP W/ NC CONTACT	
9-	66818GT	CONTACT, NC	
10	96008-SGT	KEYSWITCH, 3 POS. W/KEYS***	1
10-	83093GT	KEY SINGLE***	
10-	85239GT	RETAINER NUT (96008)***	
10-	88827GT	GASKET, KEYSWITCH, PLASTIC***	
11	45384GT	PLUG, NYLON .50 BLACK DOMED	1
12	36373GT	LED, RED 24V	1
13	226320GT	ASM, BUTTON & BOOT, BLK	1
		primary boom, extend/retract	
13-	66815GT	BASE, W/1 N.O. CONTACTS***	
13-	66816GT	CONTACT, N.O.***	
14	1277226GT	ASSEMBLY, CIRCUIT BREAKER, 15AMP	
15	226320GT	ASM, BUTTON & BOOT, BLK	1
		primary boom, up/down	
15-	66815GT	BASE, W/1 N.O. CONTACTS***	
15-	66816GT	CONTACT, N.O.***	
16	226320GT	ASM, BUTTON & BOOT, BLK	1
		secondary boom, up/down	
16-	66815GT	BASE, W/1 N.O. CONTACTS***	
16-	66816GT	CONTACT, N.O.***	



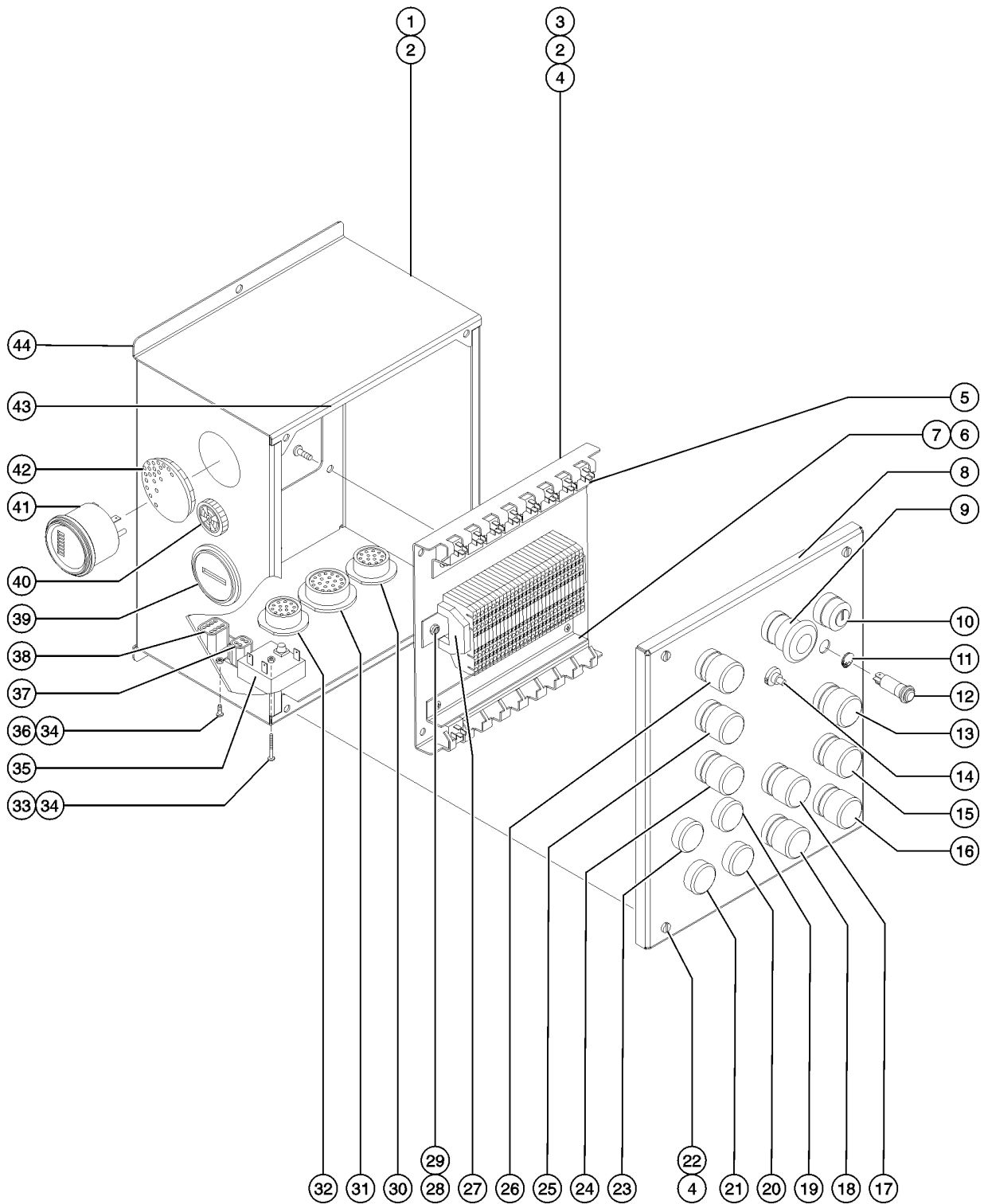
303.1 Ground Control Box



Item	Part No.	Description	Qty.
17	226320GT	ASM, BUTTON & BOOT, BLK platform level	1
17-	66815GT	BASE, W/1 N.O. CONTACTS***	
17-	66816GT	CONTACT,N.O.***	
18	226320GT	ASM, BUTTON & BOOT, BLK turntable rotate	1
18-	66815GT	BASE, W/1 N.O. CONTACTS***	
18-	66816GT	CONTACT,N.O.***	
19	109804GT	BUTTON,PUSH,GREEN,ASSEMBLY*** part numbers 104091GT, 104092GT and 109803GT must be purchased along with 109804GT	
19-	104091GT	BUTTON,PUSH,GREEN	
19-	104092GT	BASE,W/1N.O.,W/GREEN LED	
19-	109803GT	COVER,PUSH BUTTON	
20	109804GT	BUTTON,PUSH,GREEN,ASSEMBLY*** function enable part numbers 104091GT, 104092GT and 109803GT must be purchased along with 109804GT	1
20-	104091GT	BUTTON,PUSH,GREEN	
20-	104092GT	BASE,W/1N.O.,W/GREEN LED	
20-	109803GT	COVER,PUSH BUTTON	
21	109804GT	BUTTON,PUSH,GREEN,ASSEMBLY*** function enable part numbers 104091GT, 104092GT and 109803GT must be purchased along with 109804GT	1
21-	104091GT	BUTTON,PUSH,GREEN	
21-	104092GT	BASE,W/1N.O.,W/GREEN LED	
21-	109803GT	COVER,PUSH BUTTON	
22	99207GT	WASHER,STAR,INTERNAL,#10	
23	109804GT	BUTTON,PUSH,GREEN,ASSEMBLY*** part numbers 104091GT, 104092GT and 109803GT must be purchased along with 109804GT	
23-	104091GT	BUTTON,PUSH,GREEN	
23-	104092GT	BASE,W/1N.O.,W/GREEN LED	
23-	109803GT	COVER,PUSH BUTTON	
24	226320GT	ASM, BUTTON & BOOT, BLK outrigger autolevel	1
24-	66814GT	BASE,WITH 2 N.O. CONTACTS***	
24-	66816GT	CONTACT,N.O.***	
25	226320GT	ASM, BUTTON & BOOT, BLK function enable	1



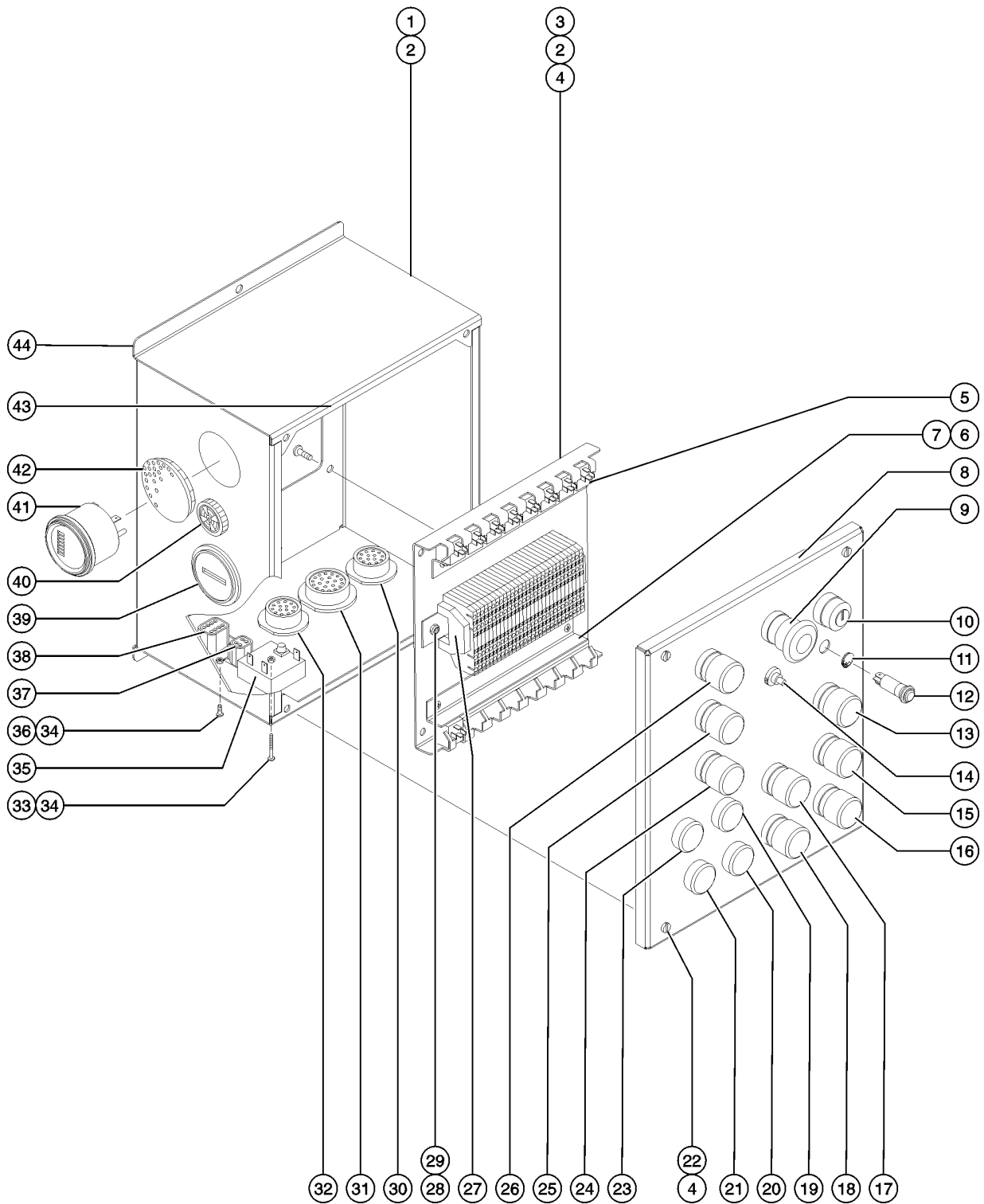
303.1 Ground Control Box



Item	Part No.	Description	Qty.
25-	66815GT	BASE, W/1 N.O. CONTACTS***	
25-	66816GT	CONTACT,N.O.***	
26	226320GT	ASM, BUTTON & BOOT, BLK function enable	1
26-	66814GT	BASE,WITH 2 N.O. CONTACTS***	
26-	66816GT	CONTACT,N.O.***	
27	87738GT	TERMINAL RAIL,TZ34	1
27	74911GT	TERMINAL BLOCK, WIELAND***	
27	216793GT	TERMINAL BLOCK END PLATE	1
27	74913GT	END STOP, DIN RAIL,SCREW CLAMP	
27	74917GT	JUMPER COMB, 2-WAY,WIELAND	
27	74918GT	JUMPER COMB, 3-WAY,WIELAND	
28	71874GT	BOLT,CARRIAGE,#10-24X.50,G2	
29	5365GT	NUT,NYLOCK,10-24	
30	87752GT	CONN,RECEP 19 WAY	
30-	87753GT	NUT,PANEL,SIZE 24 PLASTIC	
30-	87754GT	PANEL WASHER SHELL SIZE 24	
31	218696GT	CONNECTOR, RECEPTACLE, 23 WAY,	1
31-	87753GT	NUT,PANEL,SIZE 24 PLASTIC	
31-	87754GT	PANEL WASHER SHELL SIZE 24	
32	87749GT	CONN,RECEP 14 WAY-REV	1
32-	87750GT	NUT,PANEL,SIZE 18 PLASTIC	
32-	87751GT	PANEL WASHER SHELL SIZE 18	
33	11803GT	SCREW,RHM,6-32 X 1	
34	12344GT	NUT,NYLOCK,6-32	
35	99084GT	MODULE, TIME DELAY	1
36	49820GT	SCREW,PHILLIPS,PHM,6-32 X .5	
37	73723GT	CONN RECEPT,FLANGED	1
38	87755GT	CONN, RECEP, 8 WAY, DEUTSCH, DT, GRAY/FLANGE	2



303.1 Ground Control Box

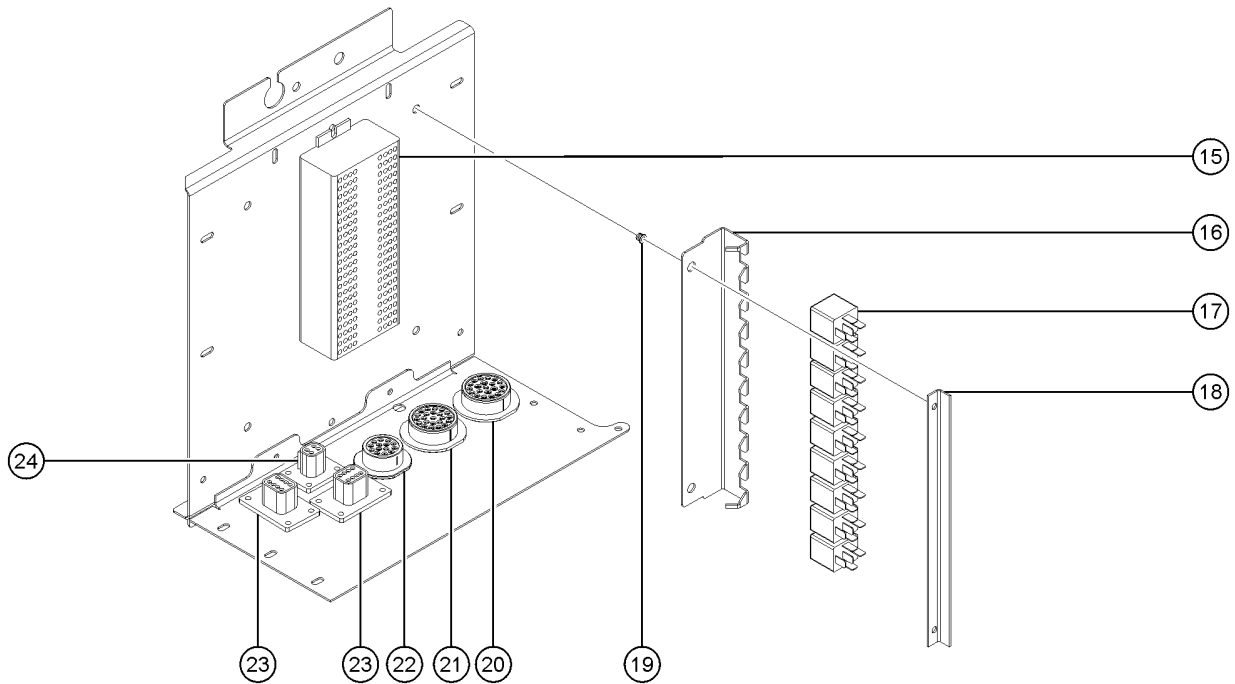
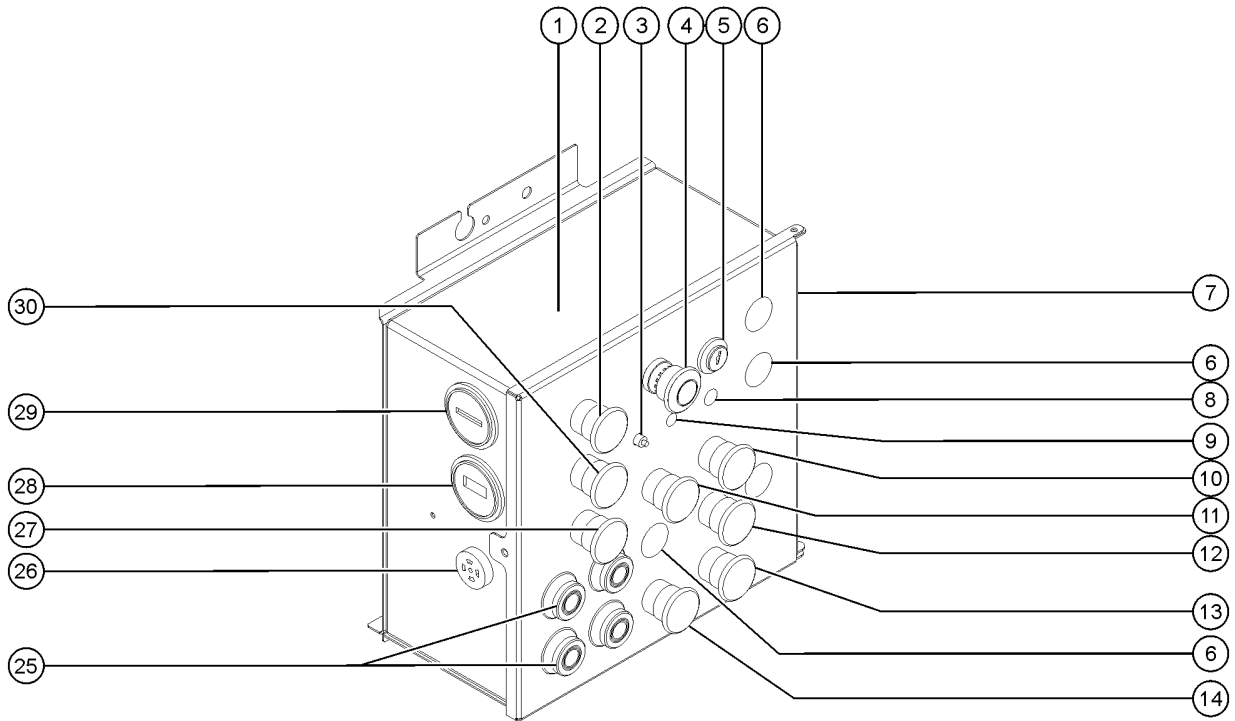


303.1 Ground Control Box

<i>Item</i>	<i>Part No.</i>	<i>Description</i>	<i>Qty.</i>
39	19506GT	HOUR METER, 10-80 VOLTS*** includes mounting bracket	1
40	45383GT	ALARM,WARBLE TONE 5-30 VDC*** Does not include 72326 nut	1
40-	72326GT	NUT - PLASTIC, RING FOR ALARMS	
41	76647GT	INDICATOR, BATTERY DISCHARGE optional	1
42	45840GT	PLUG,NYLON 2.00 BLACK DOMED models without battery charge indicator	1
43	69773GT	SEAL,RIBBED FOAM,3/8X1/8PSA** in inches	18
44	1304368GT	CONTROL BOX, LOWER W/HARDWARE, TZ34	1



304.1 Ground Control Box - ANSI, CSA Models with no Load Sense

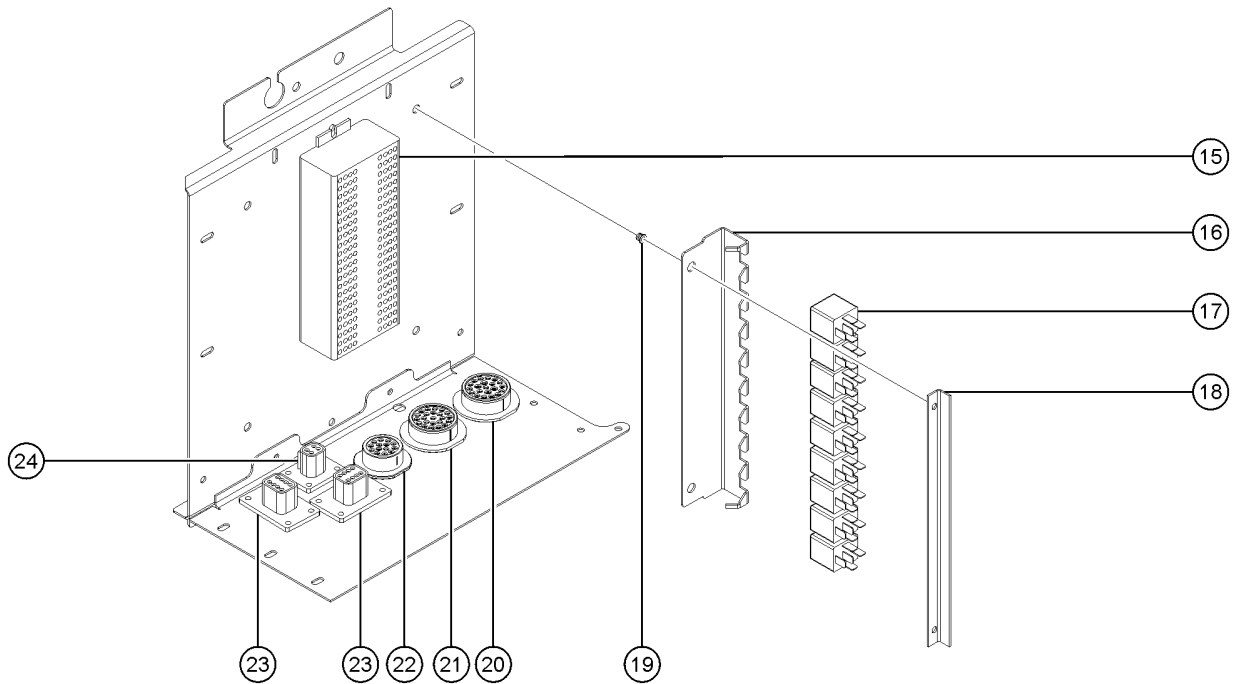
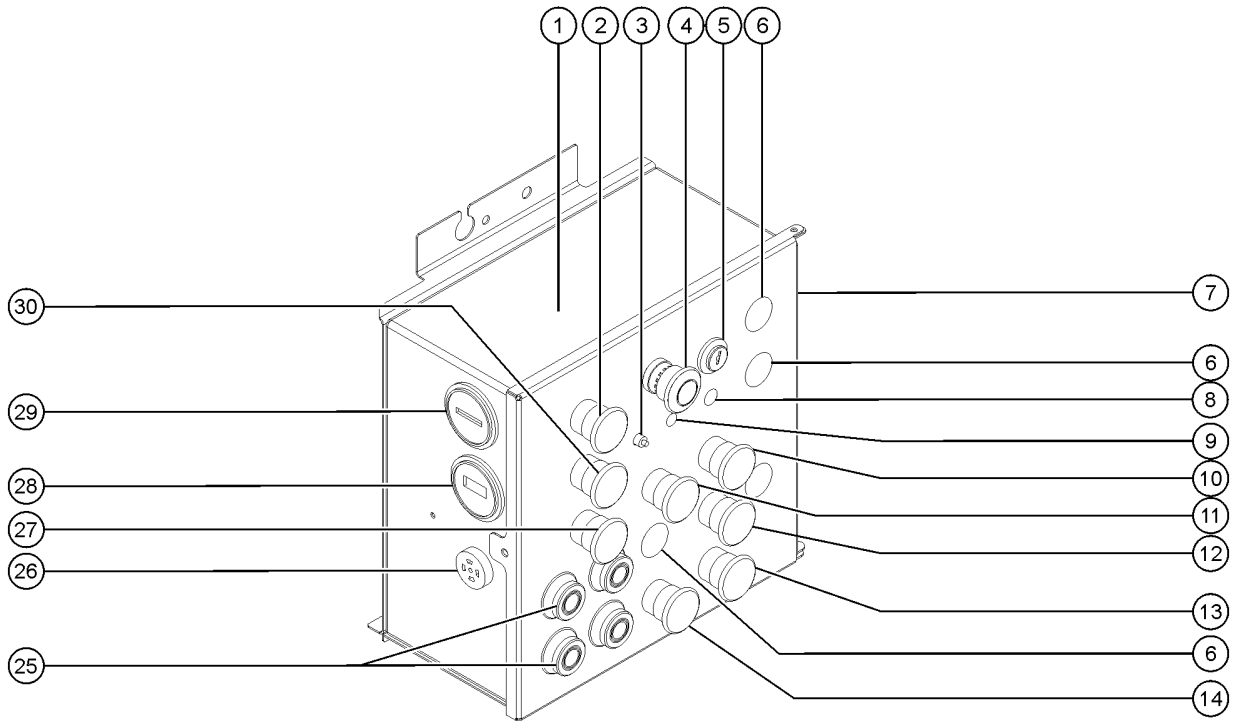


304.1 Ground Control Box - ANSI, CSA Models with no Load Sense

Item	Part No.	Description	Qty.
-	1287093GT	CONTROL BOX, TZ34,LOWER,NO LOADSENSE (complete)	
-	1287144GT	HARNESS, ADAPTER, TZ34,BOOM Required if replacing older Control Box Assy 87777GT or 104544GT or 105313	
-	1287143GT	HARNESS, ADAPTER, TZ34,CHASSIS Required if replacing older Control Box Assy 87777GT or 104544GT	
1	1289867GT	CONTROL BOX,LOWER,METALTZ34 (includes items 7, 16, 18 and 19)	1
2	226320GT	ASM, BUTTON & BOOT, BLK	1
3	38020GT	CIRCUIT BREAKER, 15 AMP	1
4	226322GT	ASM, E-STOP & BOOT	1
5	96008-SGT	KEYSWITCH,3 POS. W/KEYS***	1
6	15243GT	PLUG,NYLON .875 BLACK DOMED	4
7	1301145GT	LID ASSEMBLY, LOWER CONTROL BOX,TZ (part of item 1)	1
7A	69773GT	SEAL,RIBBED FOAM,3/8X1/8PSA** in inches	49
7B	824059GT	SCREW, HHC, 1/4-20 X .75, 8, ZAG to secure the lid closed	1
7B	824109GT	WASHER, LOCK, 1/4, ZAG for 824059	1
7B	824113GT	WASHER,FLAT,1/4,USS,ZAG for 824059	1
7B	25969GT	SPRING CLIP, 1/4-20 BLACK for 824059	1
8	45384GT	PLUG,NYLON .50 BLACK DOMED	1
9	21858GT	PLUG,NYLON .38 BLACK DOMED	1
10	226320GT	ASM, BUTTON & BOOT, BLK	1
11	226320GT	ASM, BUTTON & BOOT, BLK	1
12	226320GT	ASM, BUTTON & BOOT, BLK	1
13	226320GT	ASM, BUTTON & BOOT, BLK	1
14	226320GT	ASM, BUTTON & BOOT, BLK	1
15	87738GT	TERMINAL RAIL,TZ34	1
16	1274353GT	MOUNT,RELAY,TZ CTRL BOX, LOWER (part of item 1)	2
17	56302GT	RELAY,24VDC,40/30A,SEALED***	18
18	1275647GT	FORMING,RELAY HOLDER,SLOTTED,TZ50,LWR (part of item 1)	2
19	23405GT	NUTSERT,10-32 STEEL CAD PLTD (part of item 1)	4



304.1 Ground Control Box - ANSI, CSA Models with no Load Sense

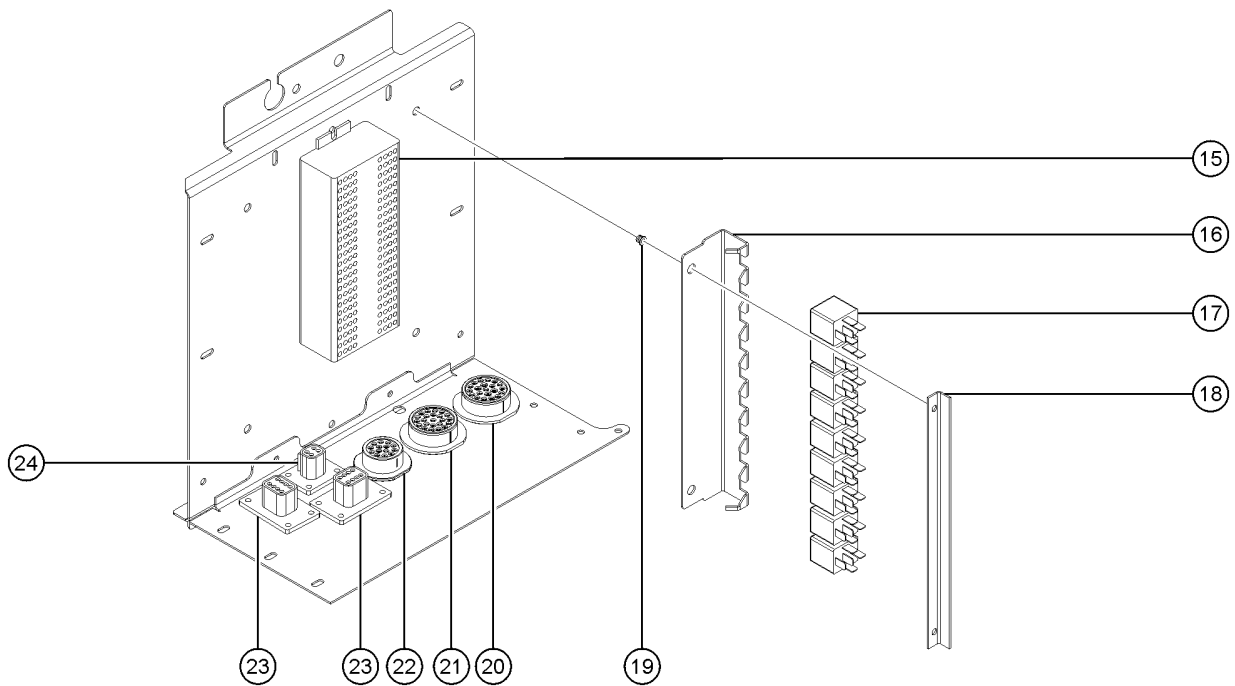
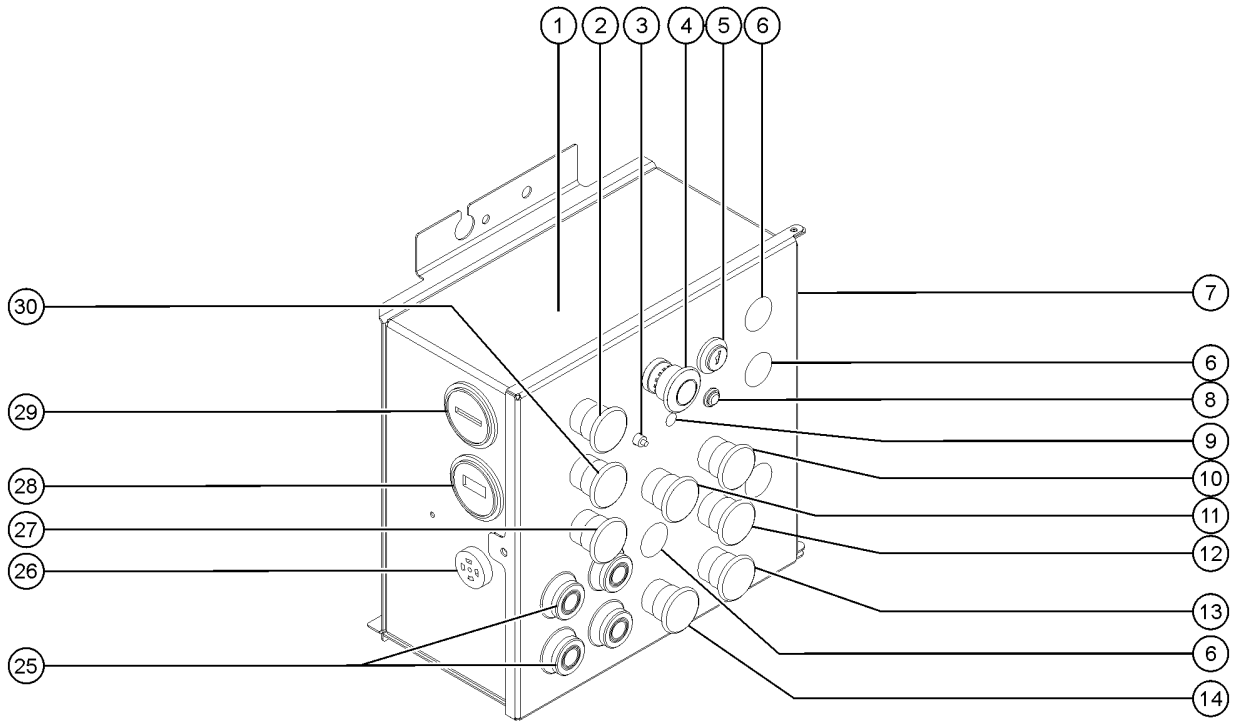


304.1 Ground Control Box - ANSI, CSA Models with no Load Sense

<i>Item</i>	<i>Part No.</i>	<i>Description</i>	<i>Qty.</i>
20	104101GT	CONNECTOR,PLUG 21 WAY	1
21	218696GT	CONNECTOR, RECEPTACLE, 23 WAY,	1
22	87749GT	CONN,RECEP 14 WAY-REV	1
23	87755GT	CONN, RECEP, 8 WAY, DEUTSCH, DT, GRAY/FLANGE	2
24	73723GT	CONN RECEPT,FLANGED	1
25	109804GT	BUTTON,PUSH,GREEN,ASSEMBLY***	4
26	45383GT	ALARM,WARBLE TONE 5-30 VDC***	1
27	226320GT	ASM, BUTTON & BOOT, BLK	1
28	76647GT	INDICATOR, BATTERY DISCHARGE	1
28B	45840GT	PLUG,NYLON 2.00 BLACK DOMED	1
29	19506GT	HOUR METER, 10-80 VOLTS***	1
30	226320GT	ASM, BUTTON & BOOT, BLK	1



305.1 Ground Control Box - ANSI, CSA Models with Load Sense

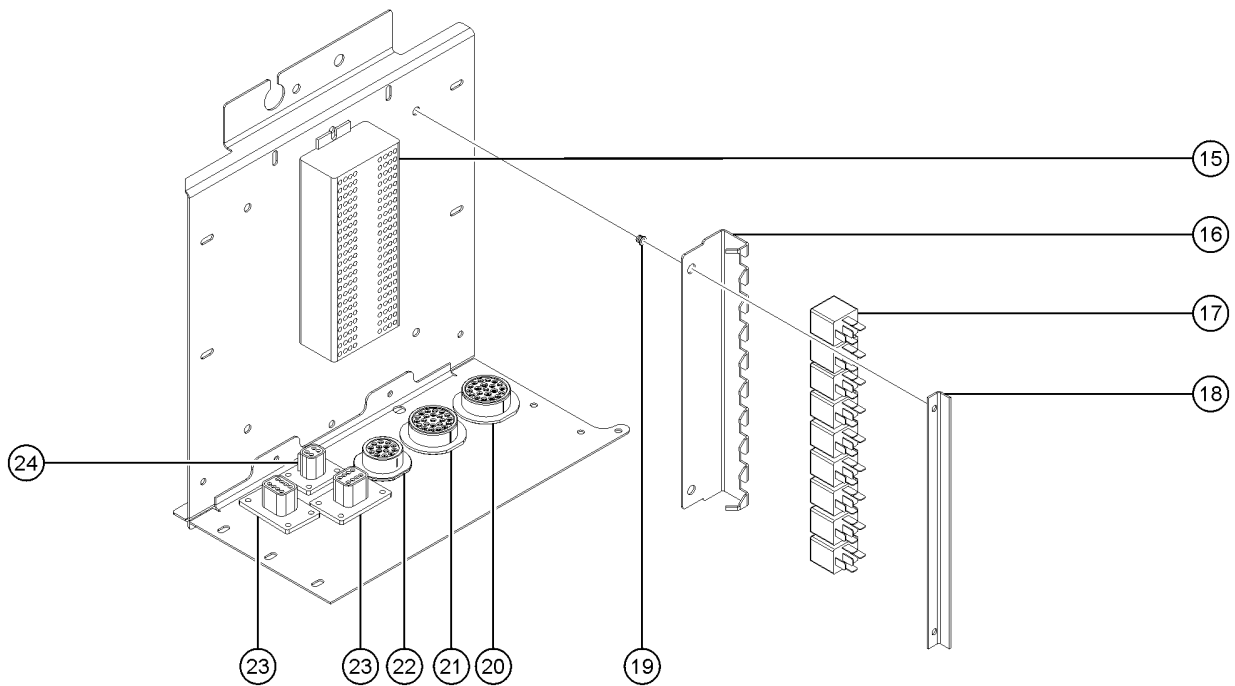
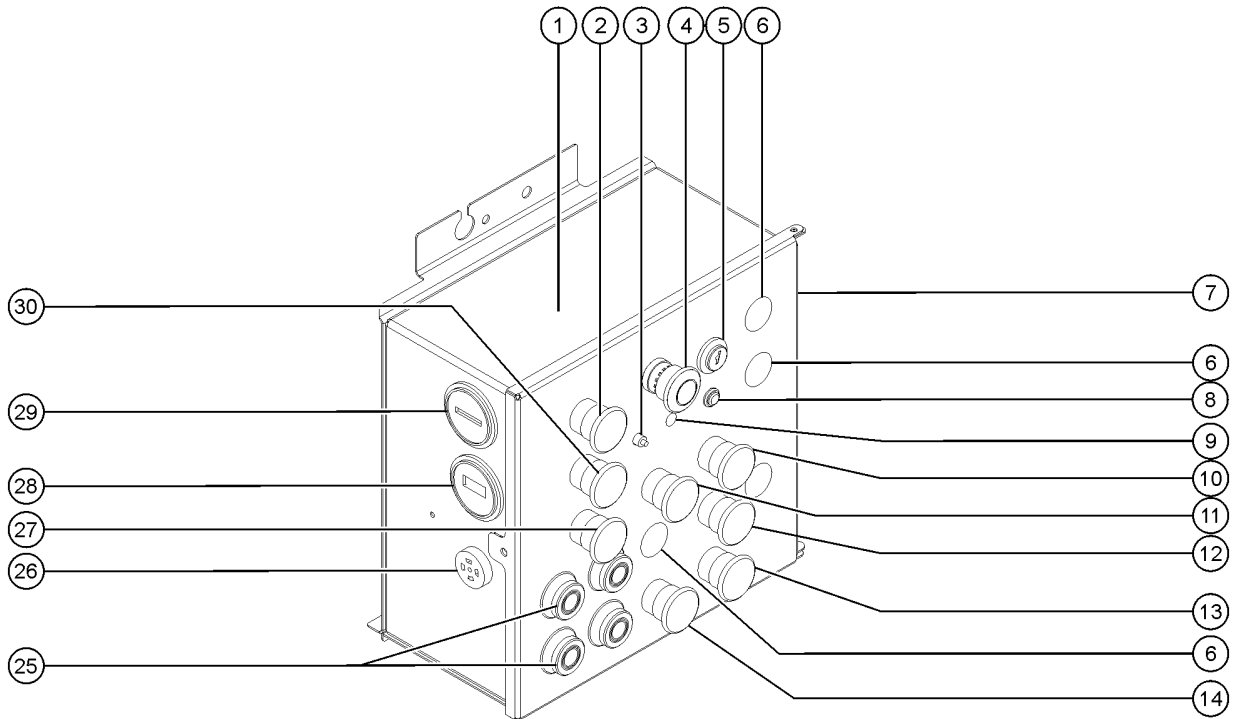


305.1 Ground Control Box - ANSI, CSA Models with Load Sense

Item	Part No.	Description	Qty.
-	1287094GT	CONTROL BOX, TZ34,LOWER,LOADSENSE (complete)	
-	1287144GT	HARNESS, ADAPTER, TZ34,BOOM Required if replacing older Control Box Assy 87777GT or 104544GT or 105313	
-	1287143GT	HARNESS, ADAPTER, TZ34,CHASSIS Required if replacing older Control Box Assy 87777GT or 104544GT	
1	1289867GT	CONTROL BOX,LOWER,METALTZ34 (includes items 7, 16, 18 and 19)	1
2	226320GT	ASM, BUTTON & BOOT, BLK	1
3	38020GT	CIRCUIT BREAKER, 15 AMP	1
4	226322GT	ASM, E-STOP & BOOT	1
5	96008-SGT	KEYSWITCH,3 POS. W/KEYS***	1
6	15243GT	PLUG,NYLON .875 BLACK DOMED	4
7	1301145GT	LID ASSEMBLY, LOWER CONTROL BOX,TZ (part of item 1)	1
7A	69773GT	SEAL,RIBBED FOAM,3/8X1/8 PSA** in inches	49
7B	824059GT	SCREW, HHC, 1/4-20 X .75, 8, ZAG to secure the lid closed	1
7B	824109GT	WASHER, LOCK, 1/4, ZAG for 824059	1
7B	824113GT	WASHER,FLAT,1/4,USS,ZAG for 824059	1
7B	25969GT	SPRING CLIP, 1/4-20 BLACK for 824059	1
8	99088GT	LED,RED 24V FLASHING	1
8B	45384GT	PLUG,NYLON .50 BLACK DOMED	1
9	21858GT	PLUG,NYLON .38 BLACK DOMED	1
10	226320GT	ASM, BUTTON & BOOT, BLK	1
11	226320GT	ASM, BUTTON & BOOT, BLK	1
12	226320GT	ASM, BUTTON & BOOT, BLK	1
13	226320GT	ASM, BUTTON & BOOT, BLK	1
14	226320GT	ASM, BUTTON & BOOT, BLK	1
15	87738GT	TERMINAL RAIL,TZ34	1
16	1274353GT	MOUNT,RELAY,TZ CTRL BOX, LOWER (part of item 1)	2
17	56302GT	RELAY,24VDC,40/30A,SEALED***	18
18	1275647GT	FORMING,RELAY HOLDER,SLOTTED,TZ50,LWR (part of item 1)	2



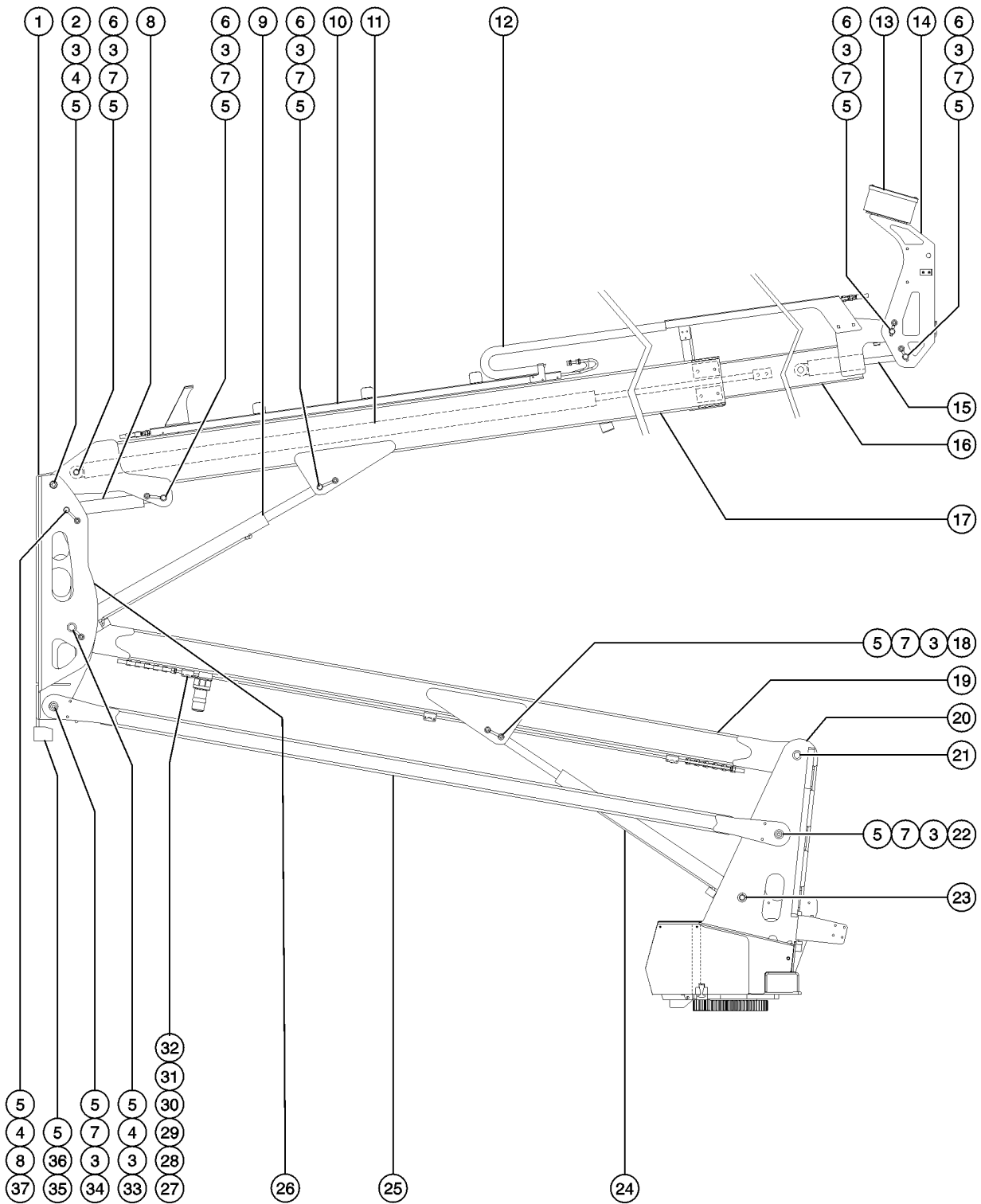
305.1 Ground Control Box - ANSI, CSA Models with Load Sense



305.1 Ground Control Box - ANSI, CSA Models with Load Sense

<i>Item</i>	<i>Part No.</i>	<i>Description</i>	<i>Qty.</i>
19	23405GT	NUTSERT,10-32 STEEL CAD PLTD (part of item 1)	4
20	104101GT	CONNECTOR,PLUG 21 WAY	1
21	218696GT	CONNECTOR, RECEPTACLE, 23 WAY,	1
22	87749GT	CONN,RECEP 14 WAY-REV	1
23	87755GT	CONN, RECEP, 8 WAY, DEUTSCH, DT, GRAY/FLANGE	2
24	73723GT	CONN RECEPT,FLANGED	1
25	109804GT	BUTTON,PUSH,GREEN,ASSEMBLY***	4
26	45383GT	ALARM,WARBLE TONE 5-30 VDC***	1
27	226320GT	ASM, BUTTON & BOOT, BLK	1
28	76647GT	INDICATOR, BATTERY DISCHARGE	1
28B	45840GT	PLUG,NYLON 2.00 BLACK DOMED	1
29	19506GT	HOUR METER, 10-80 VOLTS***	1
30	226320GT	ASM, BUTTON & BOOT, BLK	1

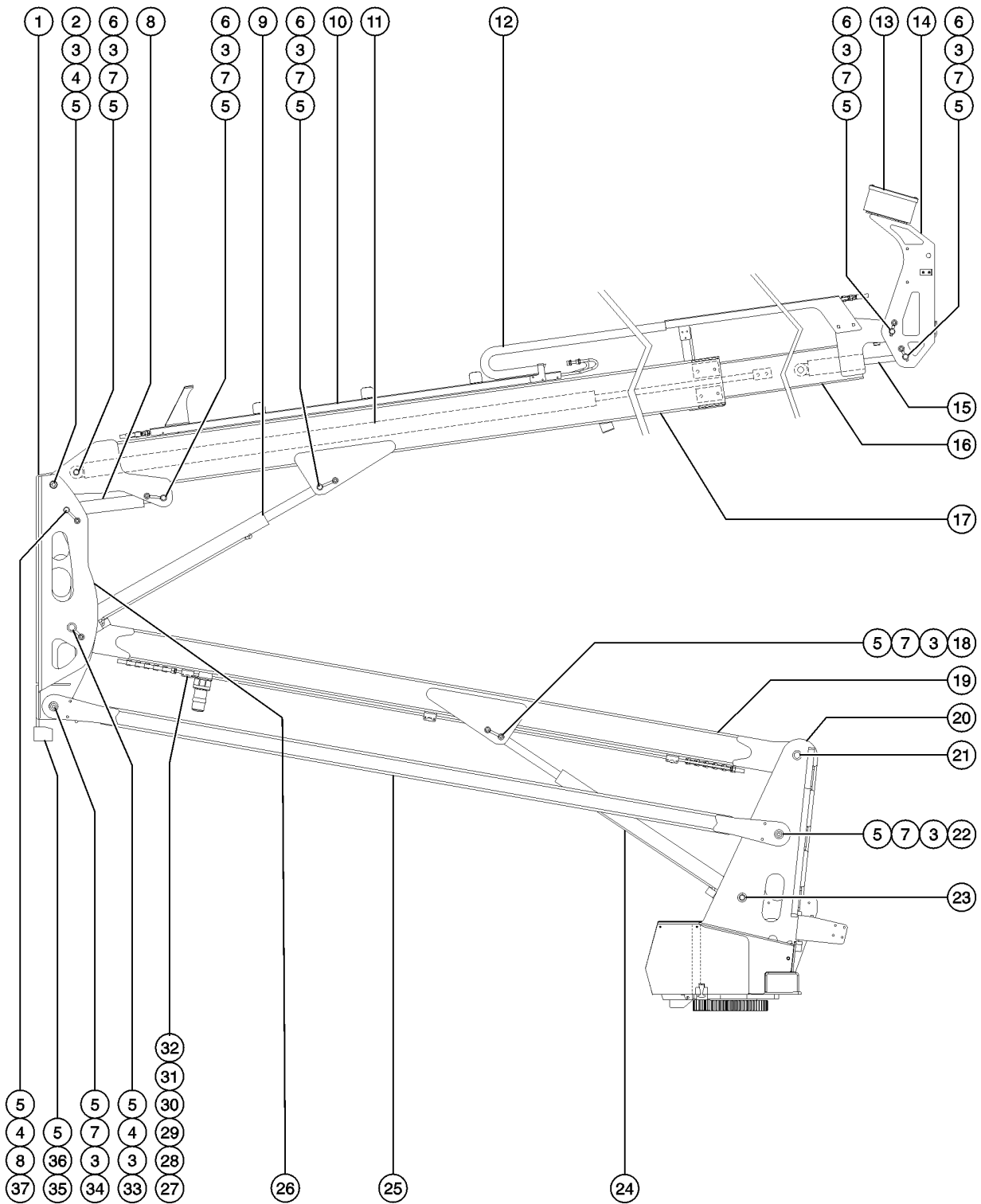
401.1 Lift Structure, View 1



Item	Part No.	Description	Qty.
1	79513GT	PIVOT ASSEMBLY TZ-34	1
1-	45454GT	CLAMP,0.75,#12 X 3/8,RUB CUSH*	2
1-	87073GT	GROMMET,RUBBER 3 X .25 X 3.5	1
1-	824125GT	BOLT, CARRIAGE, 3/8-16 X 1, 5, ZAG	2
2	79588GT	PIN,1.25DIA X 18.00LG,CHAMFER	1
3	824092GT	SCREW, HHF, 3/8-16 X 1.5, 8, ZAG	10
4	1255452GT	ROD END,.375 X 2.25,ZAG	3
5	1274322GT	NUT,NYLOCK FLG,3/8-16,F,ZAG	12
6	104607GT	PIN,1.00DIA X 7.70LG,1HOLE	5
7	825019GT	ROD END, .375X3.69, ZAG	8
8		Refer 605.1	
9		Refer 605.1	
10		Refer 402.1	
11		Refer 402.1	
12		Refer 402.1	
13		Ref. Platform Control box	
14		Ref. Platform Pivot assembly	
15		Refer 605.1	
16		Refer 402.1	
17		Refer 402.1	
18	41862GT	PIN,1.00DIA X 6.82LG,1HOLE	1
19	79530GT	WELDMENT,LOWER BOOM	1
20	79510GT	TURNTABLE ASSEMBLY TZ-34	1
21	54156GT	BEARING,FL,1.5IDX1.75ODX1.10LG	4
22	81599GT	PIN, 1.5DIA X 4.38LG,1HOLE	2
23	87816GT	PIN,1 X 8.5	1
24		Refer 605.1	
25	79540GT	WELDMENT,LINKAGE	1



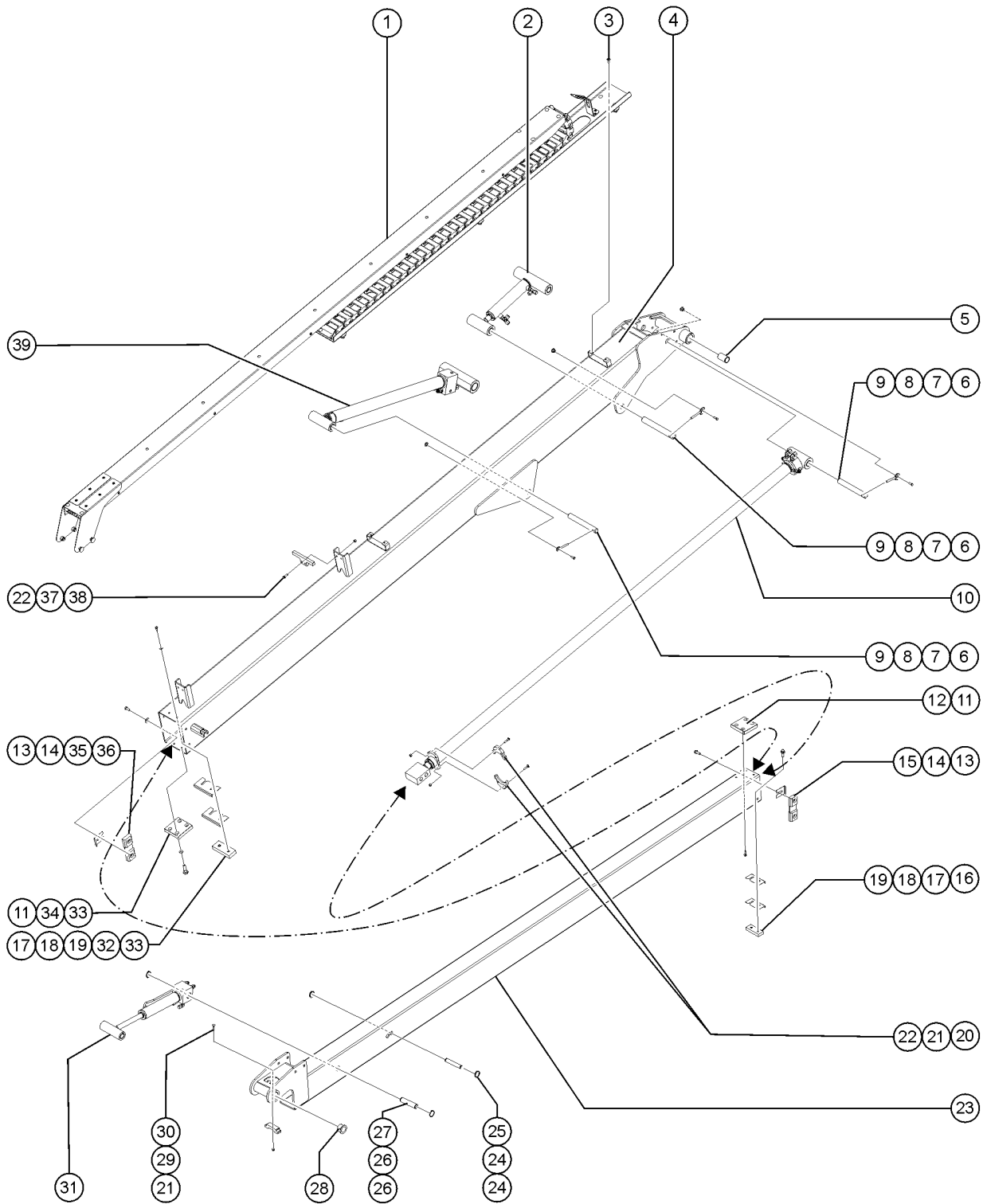
401.1 Lift Structure, View 1



<i>Item</i>	<i>Part No.</i>	<i>Description</i>	<i>Qty.</i>
26	79570GT	WELDMENT,MID PIVOT TZ-34	1
27	79635GT	FORMING, HYDRAULIC TUBE BRCKET	3
28	39579GT	RIVET,STL,STL,.188 X .45	12
29	79638GT	SPACER, HYDRAULIC TUBE MOUNT	3
30	9116GT	BOLT,CARRIAGE,1/4-20 X 1.25,G2	9
31	1277924GT	NUT,NYLOCK FLG,1/4-20,F,ZAG	9
32	79637GT	PLATE, TAP, HYD TUBE CLAMP	3
33	79589GT	PIN,1.50DIAX18.13LG,CHAMFER	1
34	45071GT	BEARING,1.5IDX1.75ODX1.5L	1
35	104144GT	WELDMENT,MIDPIVOT CRADLE	1
36	824091GT	SCREW, HHF, 3/8-16 X 1.25, 8, ZAG	2
37	79586GT	PIN, 1.00 X 11.00	1



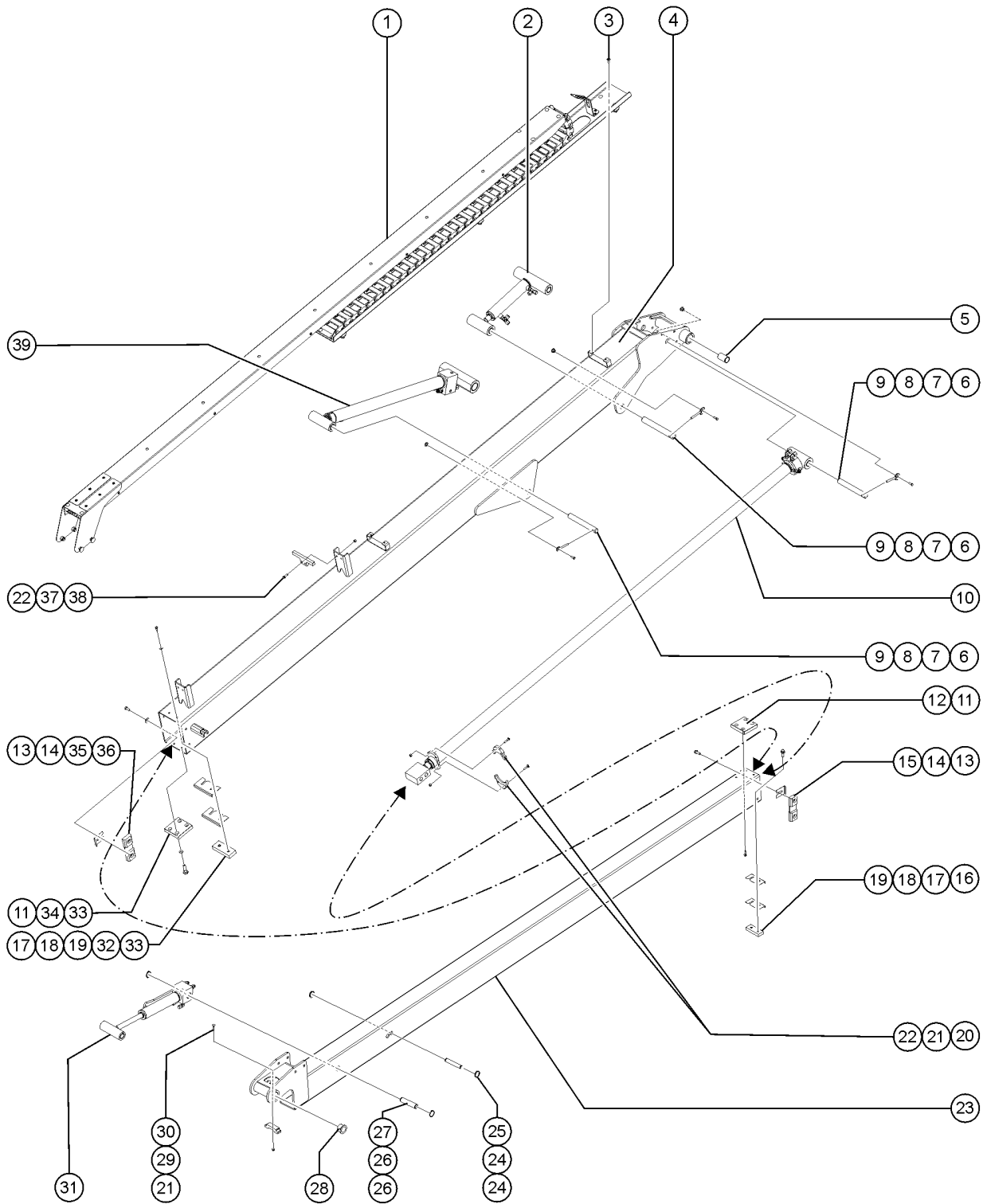
402.1 Lift Structure, View 2



Item	Part No.	Description	Qty.
1	79517GT	UPPER BOOM TRAY SUB-ASSY	1
2	1298573GT	CYLINDER, MASTER TZ34 (Refer section 604.1) From SN TZ34F-4739	
2-	1302623GT	KIT,SEAL,CYLINDER FOR 1298573	
3	39579GT	RIVET,STL,STL,.188 X .45	4
4	109857GT	WELDMENT, PRIMARY BOOM	1
5	74728GT	BEARING,FL,1.25IDX1.5ODX2.50L	2
6	104607GT	PIN,1.00DIA X 7.70LG,1HOLE	3
7	825019GT	ROD END, .375X3.69, ZAG	3
8	824092GT	SCREW, HHF, 3/8-16 X 1.5, 8, ZAG	3
9	1274322GT	NUT,NYLOCK FLG,3/8-16,F,ZAG	3
10	1298572GT	CYLINDER, EXTENSION TZ34 From SN TZ34F-4750	1
10-	1302622GT	KIT,SEAL,CYLINDER FOR 1298572	
11	129100GT	WEAR PAD,4X4X.75 W/INSERT	2
12	824079GT	SCREW,HHF,1/4-20X1,8,ZAG	4
13	79642GT	WEAR PAD,OUTER TUBE SIDES	4
14	229630GT	SHIM,SHORT,.03 THICK	5
15	824090GT	SCREW, HHF, 3/8-16 X 1, 8, ZAG	4
16	104741GT	WEAR PAD,3.75 X 1.50 X .63	2
17	87868GT	SHIM, TOP&BOT, SHORT, .03 THK	4
18	87869GT	SHIM, TOP&BOT, SHORT, .06 THK	4
19	824078GT	SCREW,HHF,1/4-20X.75,8,ZAG	2
20	79640GT	WEARPAD,EXTENSION CYLINDER	2
21	1256463GT	BOLT,CARRIAGE,1/4-20X1.25,5,ZAG	5
22	1274165GT	NUT,NYLOCK,1/4-20,C,ZAG	8
23	79560GT	WELDMENT, EXTENSION	1
24	79585GT	PIN,0.75DIA X 4.51LG,2RING	2
25	10262GT	SNAP RING,EXTERNAL,.75 DIA.	4
26	44662GT	SNAP RING,EXTERNAL,1.00 DIA.	2



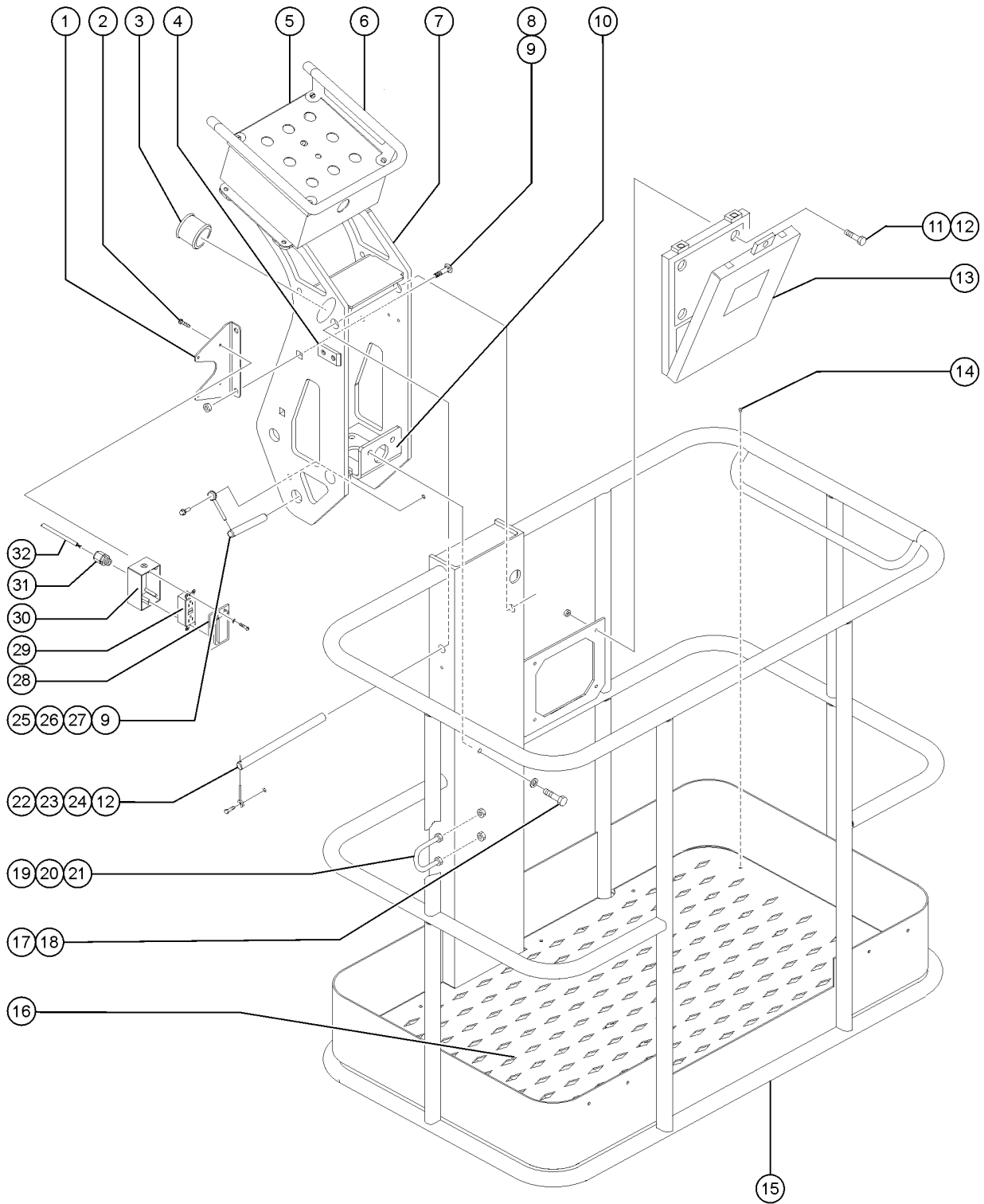
402.1 Lift Structure, View 2



<i>Item</i>	<i>Part No.</i>	<i>Description</i>	<i>Qty.</i>
27	79579GT	PIN,1.00DIAX4.51LG,2RING	1
28	36245GT	BEARING,FL,1.00IDX1.25ODX0.84L	2
29	87692GT	CLAMP, SLAVE CYLINDER HOSE	1
30	1277924GT	NUT,NYLOCK FLG,1/4-20,F,ZAG	1
31	1298574GT	CYLINDER, SLAVE TZ34 (Refer section 605.1) From SN TZ34F-4739	
31-	1302624GT	KIT,SEAL,CYLINDER FOR 1298574	
32	824059GT	SCREW, HHC, 1/4-20 X .75, 8, ZAG	2
33	824113GT	WASHER,FLAT,1/4,USS,ZAG	6
34	824060GT	SCREW, HHC, 1/4-20 X 1, 8, ZAG	4
35	1255758GT	WASHER,FLAT,3/8,USS,ZAG	4
36	824067GT	SCREW, HHC, 3/8-16 X 1, 8, ZAG	4
37	824080GT	SCREW, HHF, 1/4-20 X 1.25, 8, ZAG	4
38	109850GT	WEAR PAD, TZ34 CABLE BRIDGE	2
39	1298576GT	CYLINDER, PRIMARY LIFT TZ34 (Refer section 605.1) From SN TZ34F-4679	
39-	1302626GT	KIT,SEAL,CYLINDER FOR 1298576	



501.1 Platform Installation - ANSI and CSA Models without Platform Overload Option

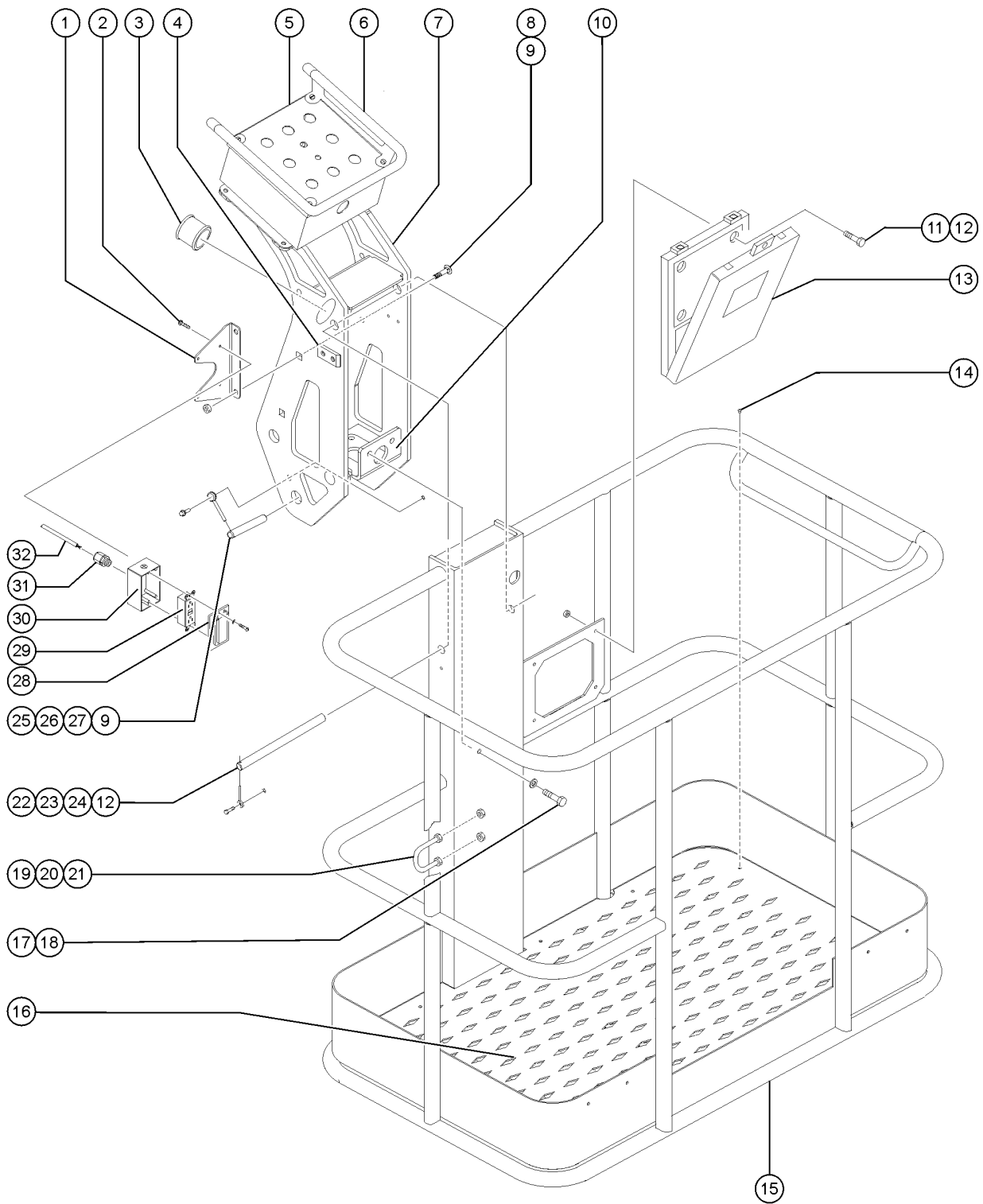


501.1 Platform Installation - ANSI and CSA Models without Platform Overload Option

Item	Part No.	Description	Qty.
1	99295GT	FORMING,T-BOX MOUNT *	1
2	57075GT	SCREW, PHIL, 8-32 X .50, SELF TAP	4
3	46436GT	GROMMET,RUBBER 2.5 X .25 X2.75	1
4	39474GT	WEAR PAD, PLATFORM	2
5		Ref. Platform Control Box	
		(refer to 506.1)	
6		Ref. Platform Control Box Guard Assembly	
		(refer to 506.1)	
7	79580GT	WELDMENT, PLAT PIVOT, ANSI	1
8	824091GT	SCREW, HHF, 3/8-16 X 1.25, 8, ZAG	2
9	1274322GT	NUT,NYLOCK FLG,3/8-16,F,ZAG	4
10	99146GT	FORMING,PLAT MOUNT TZ-34	1
11	824078GT	SCREW,HHF,1/4-20X.75,8,ZAG	4
12	1277924GT	NUT,NYLOCK FLG,1/4-20,F,ZAG	5
13	24514GT	BOX, INSTRUCTION STORAGE**	1
14	71315GT	RIVET,DRIVE, .25 X .25	10
15	87620GT	WELDMENT, PLATFORM	1
16	99016GT	FLOORING,45V27,DIAMOND PLATE	1
17	824068GT	SCREW, HHC, 3/8-16 X 1.25, 8, ZAG	4
18	1255758GT	WASHER,FLAT,3/8,USS,ZAG	4
19	66778GT	U-BOLT,SQ BEND, 1/2-13	2
20	1274172GT	NUT,NYLOCK FLG,1/2-13,G,ZAG	4
21	1255804GT	NUT,JAM,1/2-13,A,ZAG	4
22	78976GT	PIN,.75 DIA X 8.75 LG,GES 1380	1
23	825020GT	ROD END, .25 X 2.75, ZAG	1
24	824060GT	SCREW, HHC, 1/4-20 X 1, 8, ZAG	1
25	41861GT	PIN,1.00DIA X 8.07LG,1HOLE	2
26	825019GT	ROD END, .375X3.69, ZAG	2
		includes gasket and mounting fasteners	
27	824092GT	SCREW, HHF, 3/8-16 X 1.5, 8, ZAG	2
28	45437GT	COVER,GFCI,WEATHERPROOF	1



501.1 Platform Installation - ANSI and CSA Models without Platform Overload Option

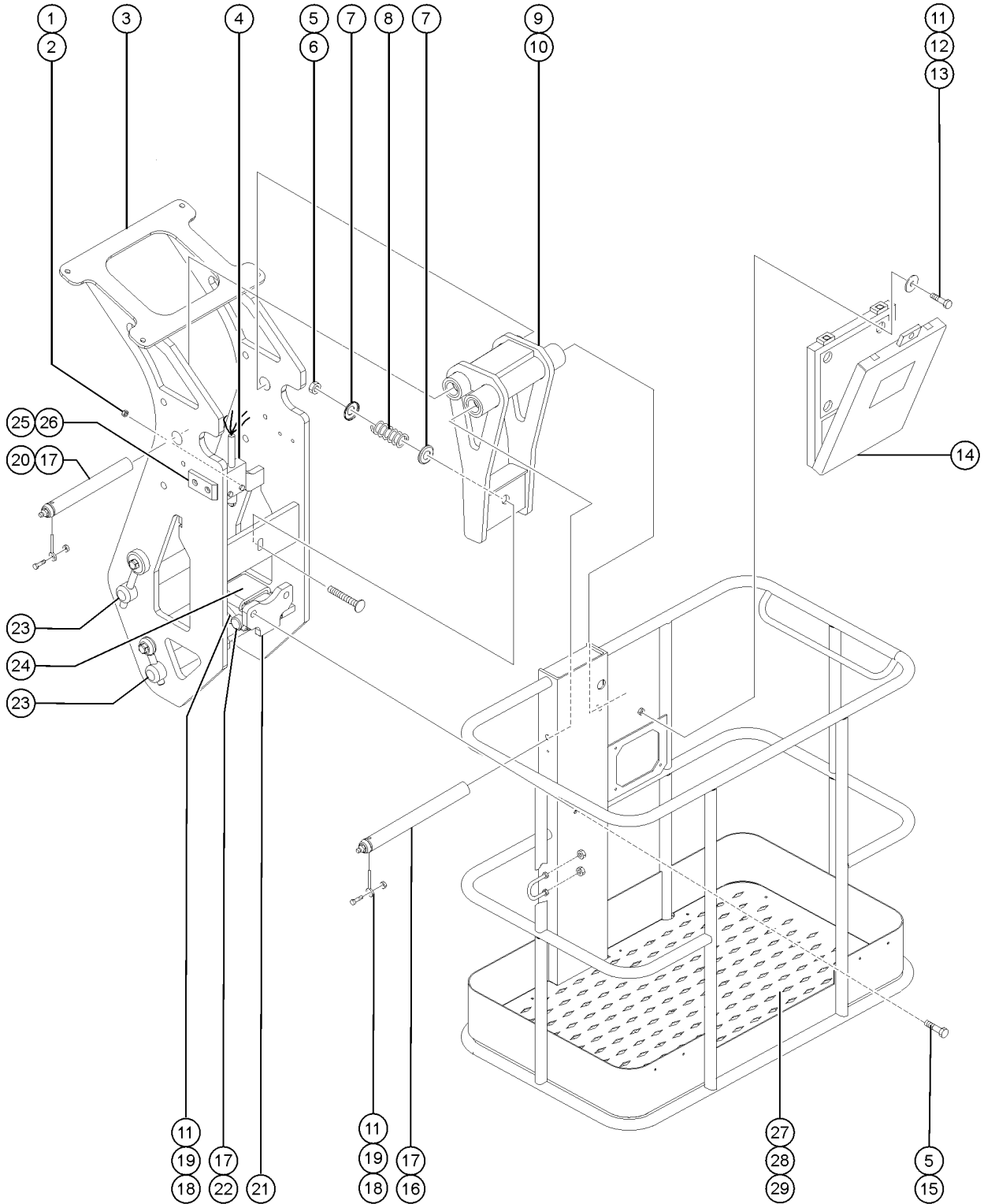


501.1 Platform Installation - ANSI and CSA Models without Platform Overload Option

<i>Item</i>	<i>Part No.</i>	<i>Description</i>	<i>Qty.</i>
28-	10777GT	COVER,BLANK	1
29	13585GT	OUTLET, 110V	1
30	1310378GT	T-BOX, 2.75 X 4.5 X 2.0**	1
31	7056GT	CONN,SQUEEZE,1/2NPT .38-.50,SM	1
32	43956GT	WIRE CABLE, 14/GA/3 CON. TPE JKT* in Inches	460



502.1 Platform Installation - ANSI, CSA Models with Platform Overload Option

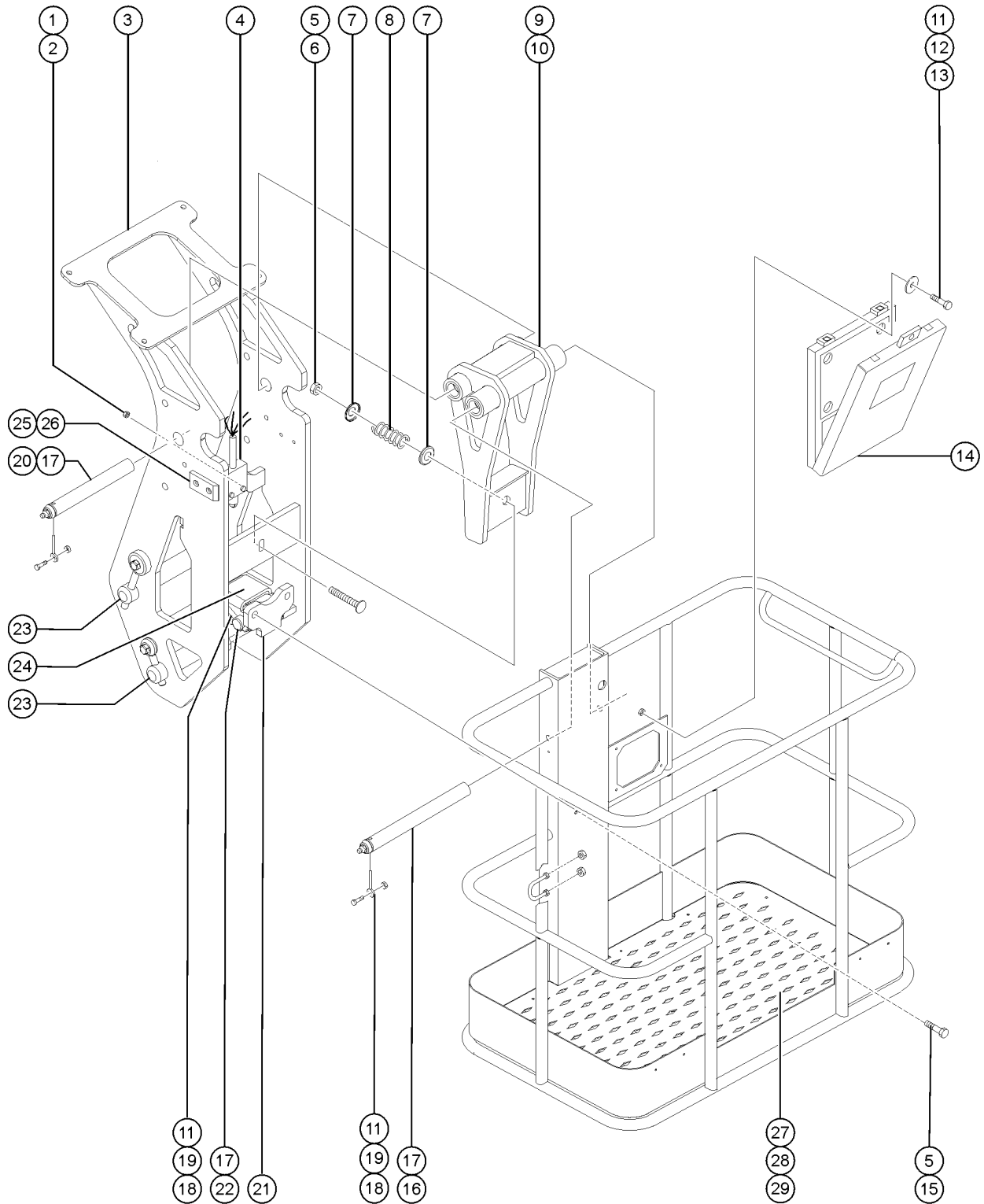


502.1 Platform Installation - ANSI, CSA Models with Platform Overload Option

Item	Part No.	Description	Qty.
1	6179GT	SCREW,RHM,10-32 X 1.25	
2	6178GT	NUT, NYLOCK, 10-32	
3	87926GT	WELDMENT, PLATFORM PIVOT, CE	1
4	99194GT	SWITCH,LIMIT W/CONNECTOR	1
4-	99183GT	SWITCH, ROLLER PLUNGER LIMIT	
4-	60428GT	CONN, PLUG 4WAY, 14-18GA	
4-	73713GT	TERMINAL, PIN, DT, 14-18 AWG, NICKEL, 0.095-0.150 OD, DEUTSCH, STRIP	
5	4828GT	NUT, NYLOCK, 3/8-16	
6	87530GT	BOLT,CARRIAGE,3/8-16 X 4.00,G2	
7	61975GT	RETAINER,SPRING,1.21 X .375	
8	61974GT	SPRING,COMP,1" OD,232 LB/IN	1
9	78974GT	WELDMENT, PIVOT LINK, TOP	1
10	39581GT	BEARING,0.75IDX1.00ODX0.50L	8
11	824024GT	NUT, TL, 1/4-20, C, ZAG	
12	6638GT	WASHER, FLAT, USS, 1/4"Y	
13	824059GT	SCREW, HHC, 1/4-20 X .75, 8, ZAG	
14	44743GT	MANUAL BOX W/DECALS***	1
14B	24514GT	BOX, INSTRUCTION STORAGE** South America (decal required; refer to Section100)	
15	6175GT	SCREW,HHC,3/8-16 X 1	
16	99174GT	PIN,0.75DIAX8.75LG,CHAMFER	1
17	94643GT	ZERK,GREASE,5/16-24,STRAIT	4
18	824060GT	SCREW, HHC, 1/4-20 X 1, 8, ZAG	
19	825020GT	ROD END, .25 X 2.75, ZAG	2
20	99182GT	PIN,0.75DIAX7.38LG,CHAMFER	1
21	99181GT	WELDMENT,CE LOWER PIVOT LINK	2
22	99173GT	PIN,0.75DIAX2.88LG,CHAMFER	2
23		Ref. Pin, 1 x 8.07 inches (refer to 401.1)	
24	99413GT	WELDMENT,LOWER LINK PIVOT TZ34	1



502.1 Platform Installation - ANSI, CSA Models with Platform Overload Option

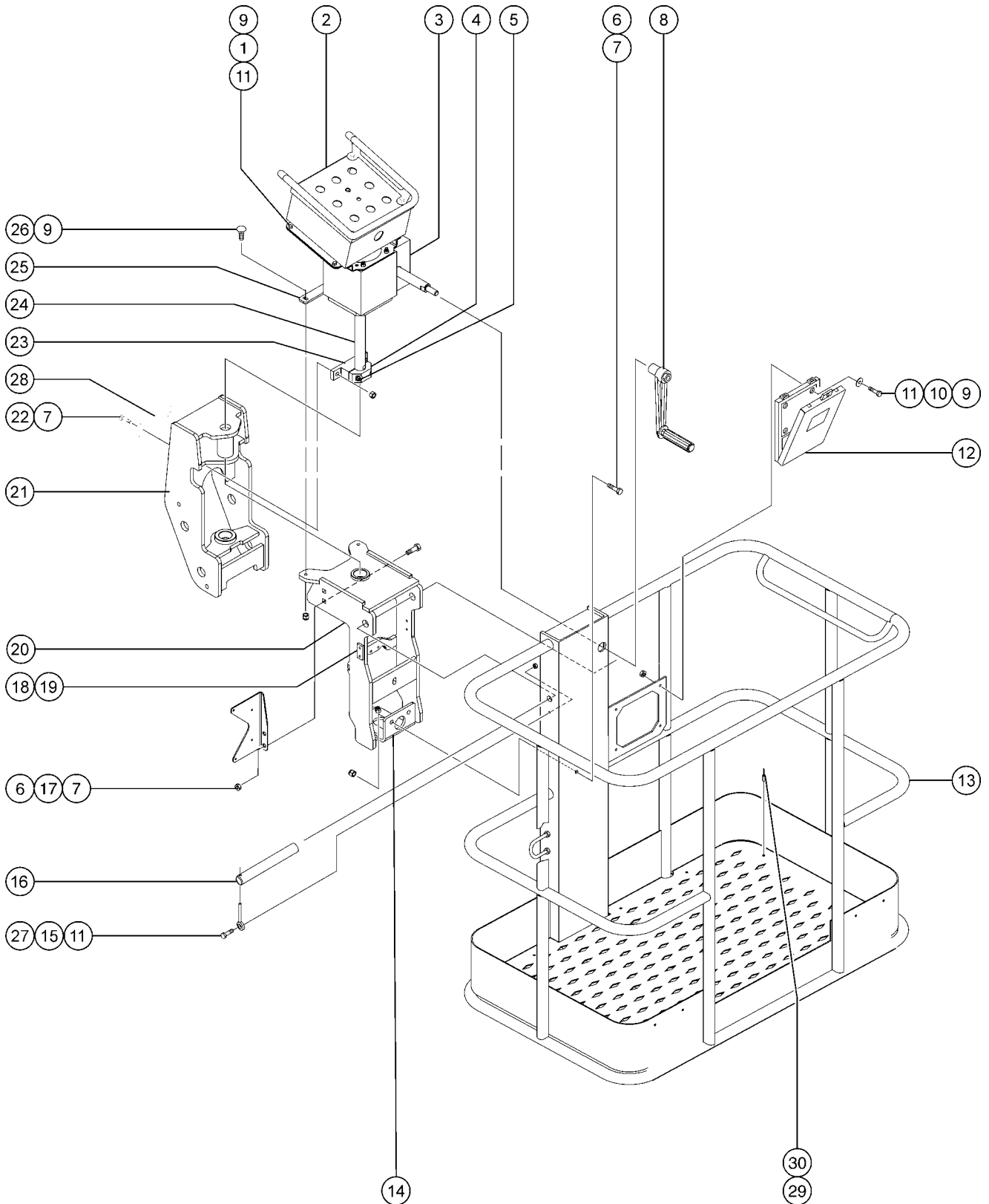


502.1 Platform Installation - ANSI, CSA Models with Platform Overload Option

<i>Item</i>	<i>Part No.</i>	<i>Description</i>	<i>Qty.</i>
25	39474GT	WEAR PAD, PLATFORM	2
26	19843GT	RIVET,ALUM,ALUM,P, .188 X .50	
27	71315GT	RIVET,DRIVE, .25 X .25	
28	99016GT	FLOORING,45V27,DIAMOND PLATE	1
29	84413GT	PLAT ASSY,SYM,TZ34,CE,ST,W/LDS	
29B	227292GT	PLT ASM,WRD,ST,LS TZ34, AUS	



503.1 Platform Rotate Installation - ANSI and CSA Models without Platform Overload Option

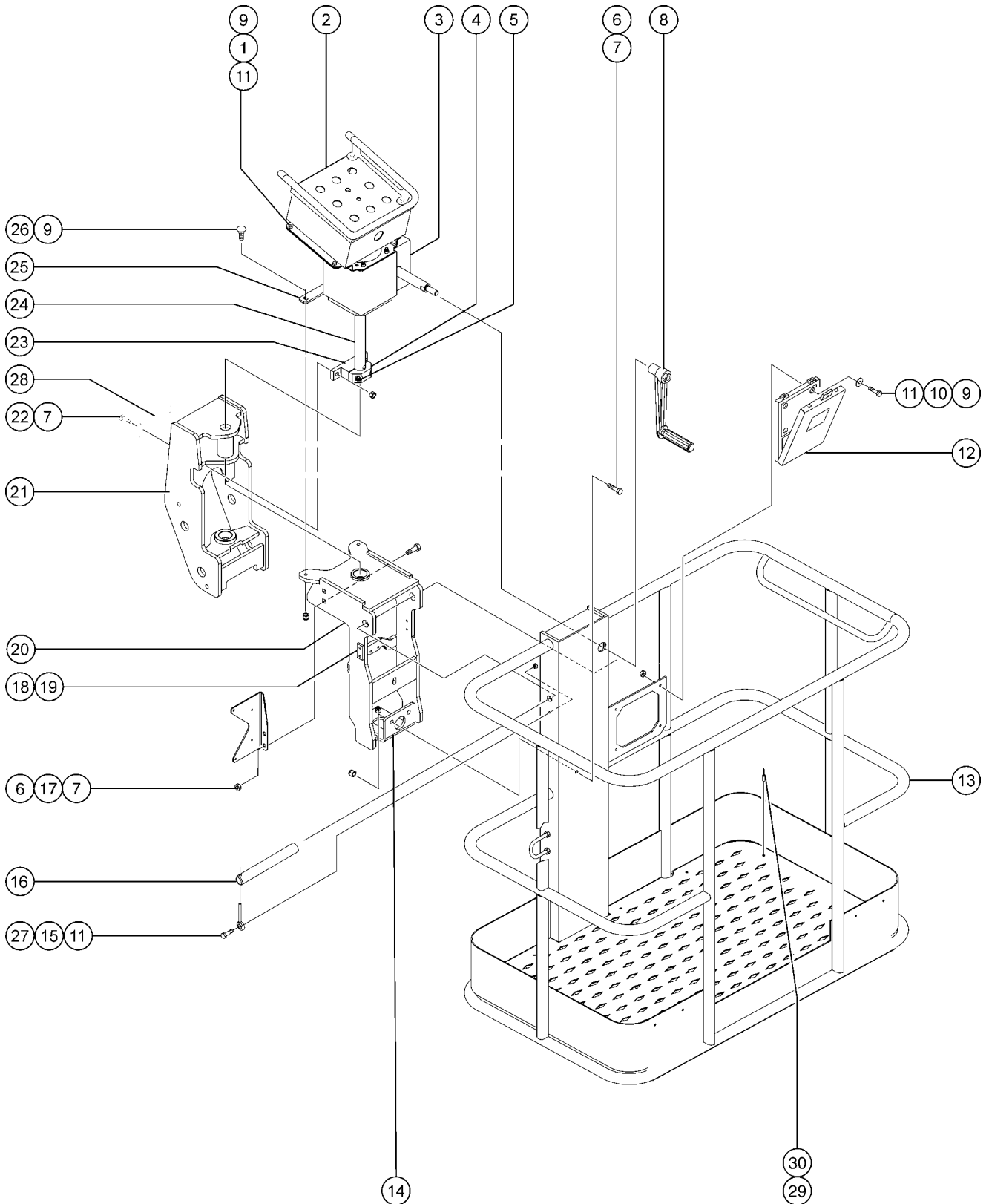


503.1 Platform Rotate Installation - ANSI and CSA Models without Platform Overload Option

Item	Part No.	Description	Qty.
1	99155GT	FORMING,CNTRL BOX MOUNT includes items 9 and 11	1
2		Ref. Platform Control Box (refer to 506.1)	
3		Ref. Gear Box Assembly (refer to 505.1)	
4	99145GT	BLOCK,ROT PIN CLAMP 1	
5	22383GT	SCREW,SHC,3/8-16 X 1.25 1	
6	6175GT	SCREW,HHC,3/8-16 X 1 1	
7	4828GT	NUT, NYLOCK, 3/8-16 1	
8		Ref. Handle Assembly (refer to 505.1)	
9	824059GT	SCREW, HHC, 1/4-20 X .75, 8, ZAG 1	
10	6638GT	WASHER, FLAT, USS, 1/4"Y 1	
11	824024GT	NUT, TL, 1/4-20, C, ZAG 1	
12	44743GT	MANUAL BOX W/DECALS*** 1	
12B	24514GT	BOX, INSTRUCTION STORAGE** South America (decal required; refer to Section100)	
13	84411GT	PLAT ASSY,WRD,TZ34,ANSI,ROTATE 1 Platform with rotate option, word decals	
13A-	99016GT	FLOORING,45V27,DIAMOND PLATE (for all platforms)	
13A-	71315GT	RIVET,DRIVE, .25 X .25 (for all platforms)	
13B	84416GT	PLAT ASSY,SYM,TZ34,ANSI,ROTATE 1 Platform with rotate option, symbol decals	
13B-	99016GT	FLOORING,45V27,DIAMOND PLATE (for all platforms)	
13B-	71315GT	RIVET,DRIVE, .25 X .25 (for all platforms)	
14	99146GT	FORMING,PLAT MOUNT TZ-34 1	
15	825020GT	ROD END, .25 X 2.75, ZAG 1	
16	78976GT	PIN,.75 DIA X 8.75 LG,GES 1380 1	
17	99150GT	FORMING,T-BOX MOUNT,ROTATE 1 includes item 7	
18	39474GT	WEAR PAD, PLATFORM 2	
19	19843GT	RIVET,ALUM,ALUM,P,.188 X .50 1	
20	87838GT	WELDMENT, PLAT ROTATE, ANSI 1	
20-	51474GT	BEARING,1.00IDX1.25ODX0.75L 2	
21	87820GT	WELDMENT, PLAT ROTATE (FIXED) 1	



503.1 Platform Rotate Installation - ANSI and CSA Models without Platform Overload Option

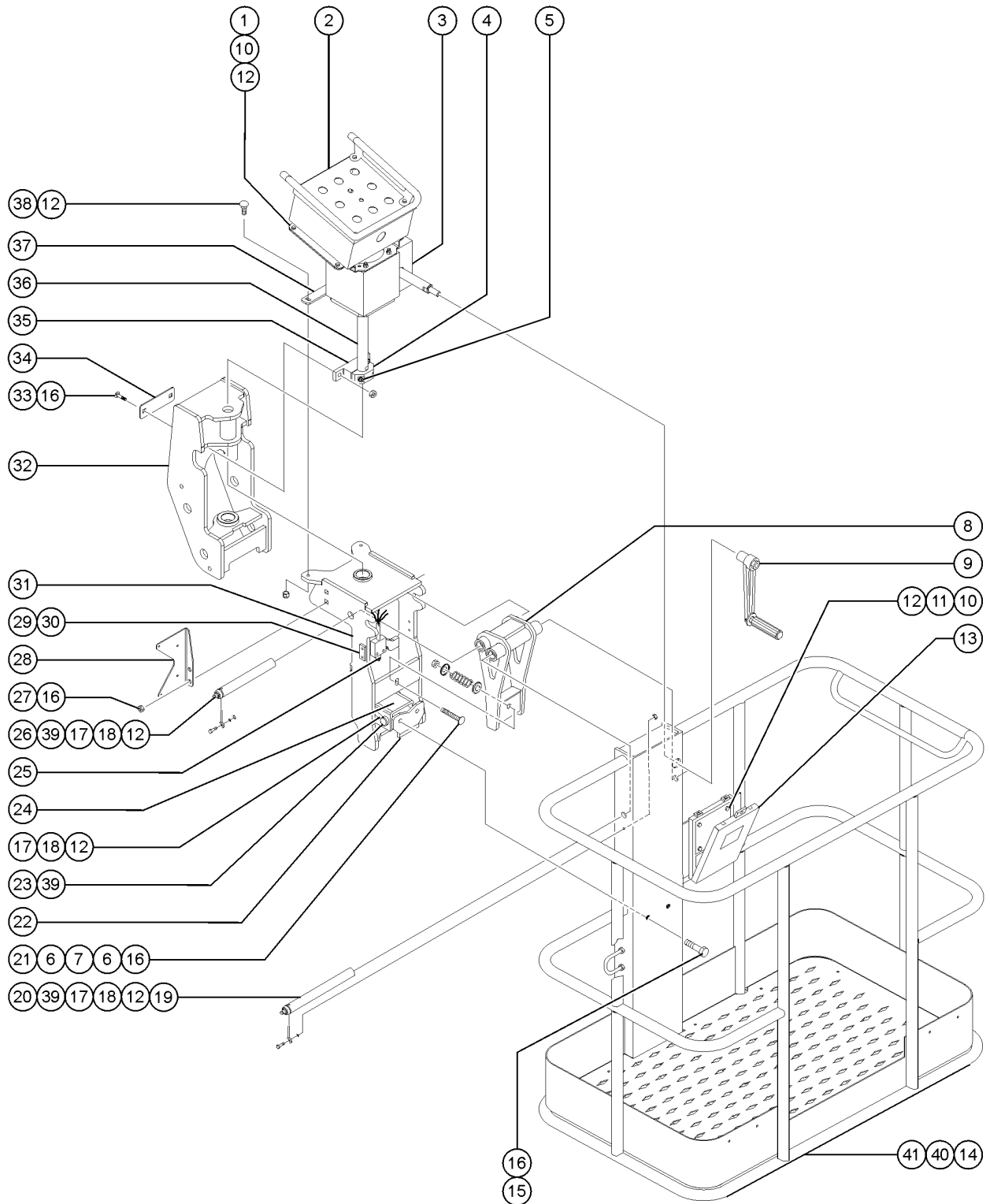


503.1 Platform Rotate Installation - ANSI and CSA Models without Platform Overload Option

<i>Item</i>	<i>Part No.</i>	<i>Description</i>	<i>Qty.</i>
21-	51474GT	BEARING,1.00IDX1.25ODX0.75L	1
22	5387GT	SCREW,HHC,3/8-16 X 4	
23	99144GT	BLOCK,PIN MOUNT BACKING	1
24		Ref. Platform Rotator Shaft	
		(refer to 505.1)	
25	99128GT	FORMING,PLATFORM ROT LINK	1
26	9116GT	BOLT,CARRIAGE,1/4-20 X 1.25,G2	
27	824060GT	SCREW, HHC, 1/4-20 X 1, 8, ZAG	
28	99129GT	PLATE,PIN MOUNT BACKING	1
29	71315GT	RIVET,DRIVE, .25 X .25	
30	99016GT	FLOORING,45V27,DIAMOND PLATE	1



504.1 Platform Rotate Installation - ANSI, CSA Models with Platform Overload Option

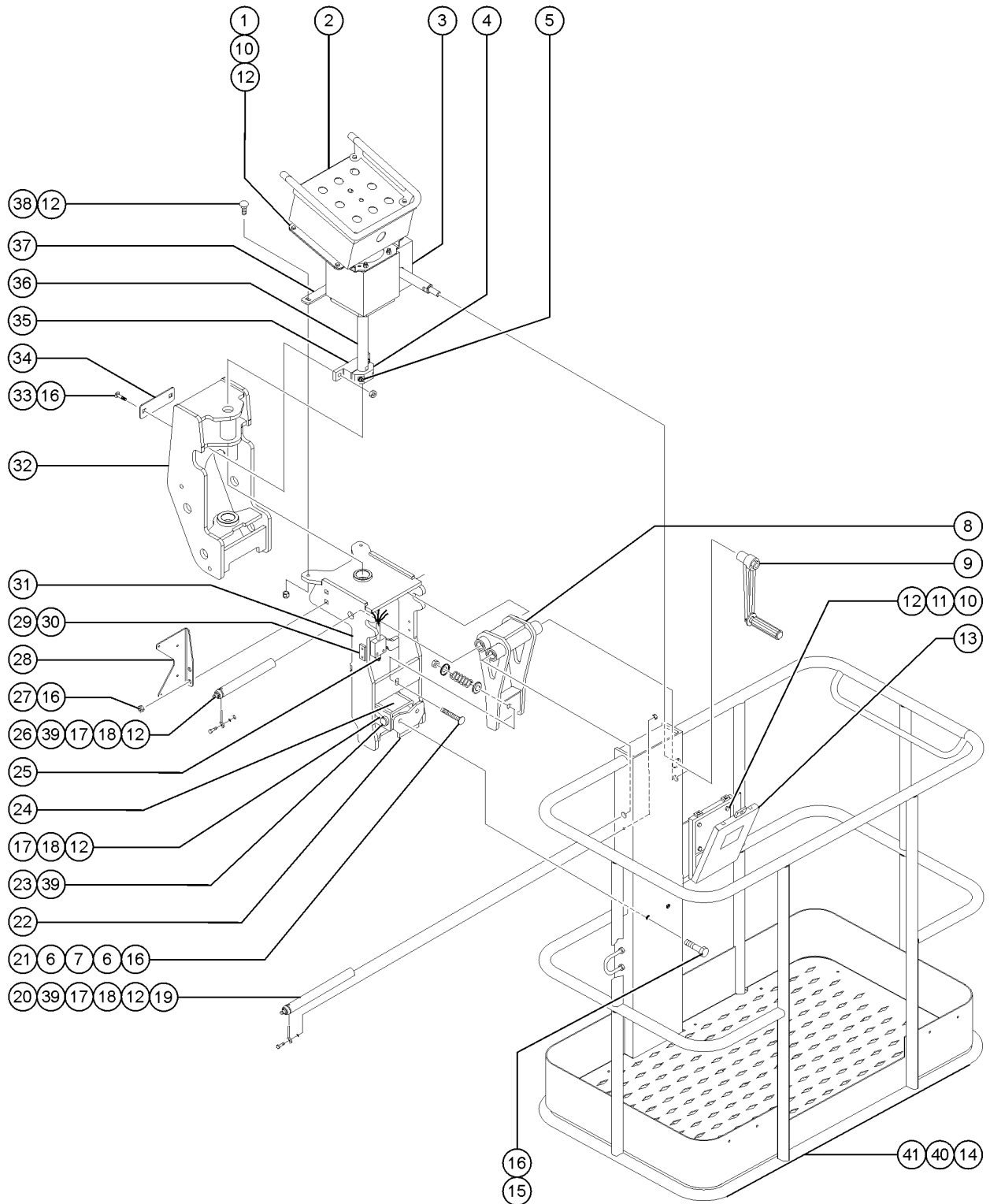


504.1 Platform Rotate Installation - ANSI, CSA Models with Platform Overload Option

Item	Part No.	Description	Qty.
1	99155GT	FORMING,CNTRL BOX MOUNT includes items 10 and 12	1
2		Ref. Platform Control Box (refer to 506.1)	
3		Ref. Gear Box Assembly (refer to 505.1)	
4	99145GT	BLOCK,ROT PIN CLAMP	1
5	22383GT	SCREW,SHC,3/8-16 X 1.25	
6	61975GT	RETAINER,SPRING,1.21 X .375	2
7	61974GT	SPRING,COMP,1" OD,232 LB/IN	1
8	78974GT	WELDMENT, PIVOT LINK, TOP	1
8-	39581GT	BEARING,0.75IDX1.00ODX0.50L	4
9		Ref. Handle Assembly (refer to 505.1)	
10	824059GT	SCREW, HHC, 1/4-20 X .75, 8, ZAG	
11	6638GT	WASHER, FLAT, USS, 1/4"Y	
12	824024GT	NUT, TL, 1/4-20, C, ZAG	
13A	44743GT	MANUAL BOX W/DECALS***	1
13B	24514GT	BOX, INSTRUCTION STORAGE** South America (decal required; refer to Section100)	
14A	99049-SGT	TZ34 PLATFORM,ROTATE,LOAD SENS Rotate platform with load sense/overload, ANSI	1
14B	84415GT	PLAT ASSY,SYM,TZ34,CE,ROTW/LDS Rotate platform with load sense/overload, CE	1
14C	227293GT	PLT ASM,WRD,ROT,LS TZ34, AUS Rotate platform with load sense/overload, AUS	1
15	6175GT	SCREW,HHC,3/8-16 X 1	
16	4828GT	NUT, NYLOCK, 3/8-16	
17	825020GT	ROD END, .25 X 2.75, ZAG	4
18	824060GT	SCREW, HHC, 1/4-20 X 1, 8, ZAG	
19	6356GT	WASHER,LOCK,.25	
20	99174GT	PIN,0.75DIAX8.75LG,CHAMFER	1
21	87530GT	BOLT,CARRIAGE,3/8-16 X 4.00,G2	
22	99181GT	WELDMENT,CE LOWER PIVOT LINK	2
23	99173GT	PIN,0.75DIAX2.88LG,CHAMFER	2
24	99413GT	WELDMENT,LOWER LINK PIVOT TZ34	1



504.1 Platform Rotate Installation - ANSI, CSA Models with Platform Overload Option

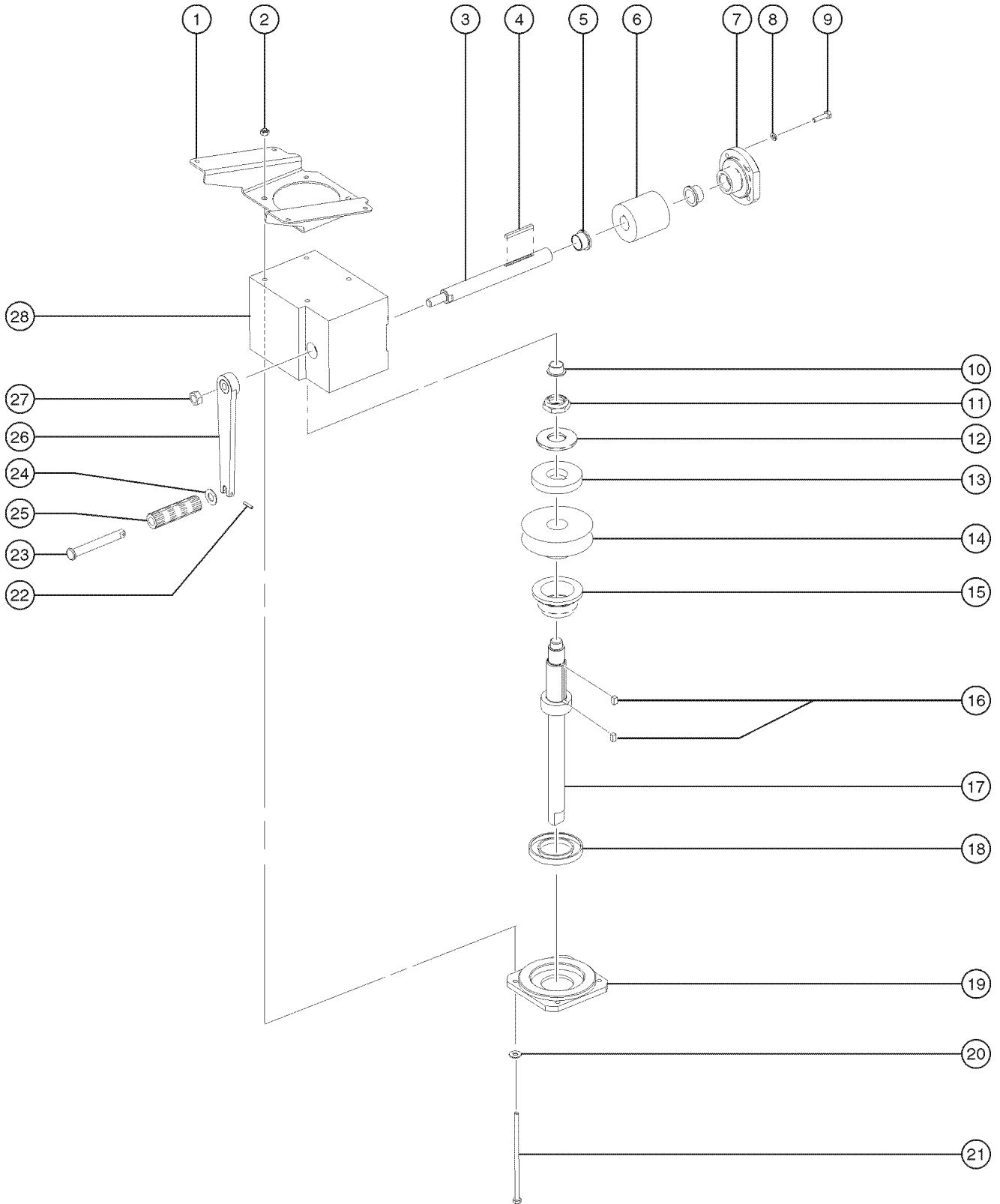


504.1 Platform Rotate Installation - ANSI, CSA Models with Platform Overload Option

Item	Part No.	Description	Qty.
25	99194GT	SWITCH,LIMIT W/CONNECTOR	1
25-	99183GT	SWITCH, ROLLER PLUNGER LIMIT	
25-	60428GT	CONN, PLUG 4WAY, 14-18GA	
25-	73713GT	TERMINAL, PIN, DT, 14-18 AWG, NICKEL, 0.095-0.150 OD, DEUTSCH, STRIP	
26	99182GT	PIN,0.75DIA X 7.38LG,CHAMFER	1
27	6019GT	SCREW,HHC,3/8-16 X 1.25 GRD 5	
28	99150GT	FORMING,T-BOX MOUNT,ROTATE	1
29	39474GT	WEAR PAD, PLATFORM	2
30	19843GT	RIVET,ALUM,ALUM,P,.188 X .50	
31		WELDMENT, PLAT ROTATE, CE	1
		no longer available	
32	87820GT	WELDMENT, PLAT ROTATE (FIXED)	1
33	5387GT	SCREW,HHC,3/8-16 X 4	
34	99129GT	PLATE,PIN MOUNT BACKING	1
35	99144GT	BLOCK,PIN MOUNT BACKING	1
36		Ref. Platform Rotator Shaft	
		(refer to 505.1)	
37	99128GT	FORMING,PLATFORM ROT LINK	1
38	9116GT	BOLT,CARRIAGE,1/4-20 X 1.25,G2	
39	94643GT	ZERK,GREASE,5/16-24,STRAIT	4
40	71315GT	RIVET,DRIVE, .25 X .25	
41	99016GT	FLOORING,45V27,DIAMOND PLATE	1
42	6179GT	SCREW,RHM,10-32 X 1.25	
43	6178GT	NUT, NYLOCK, 10-32	
44	46436GT	GROMMET,RUBBER 2.5 X .25 X 2.75	1



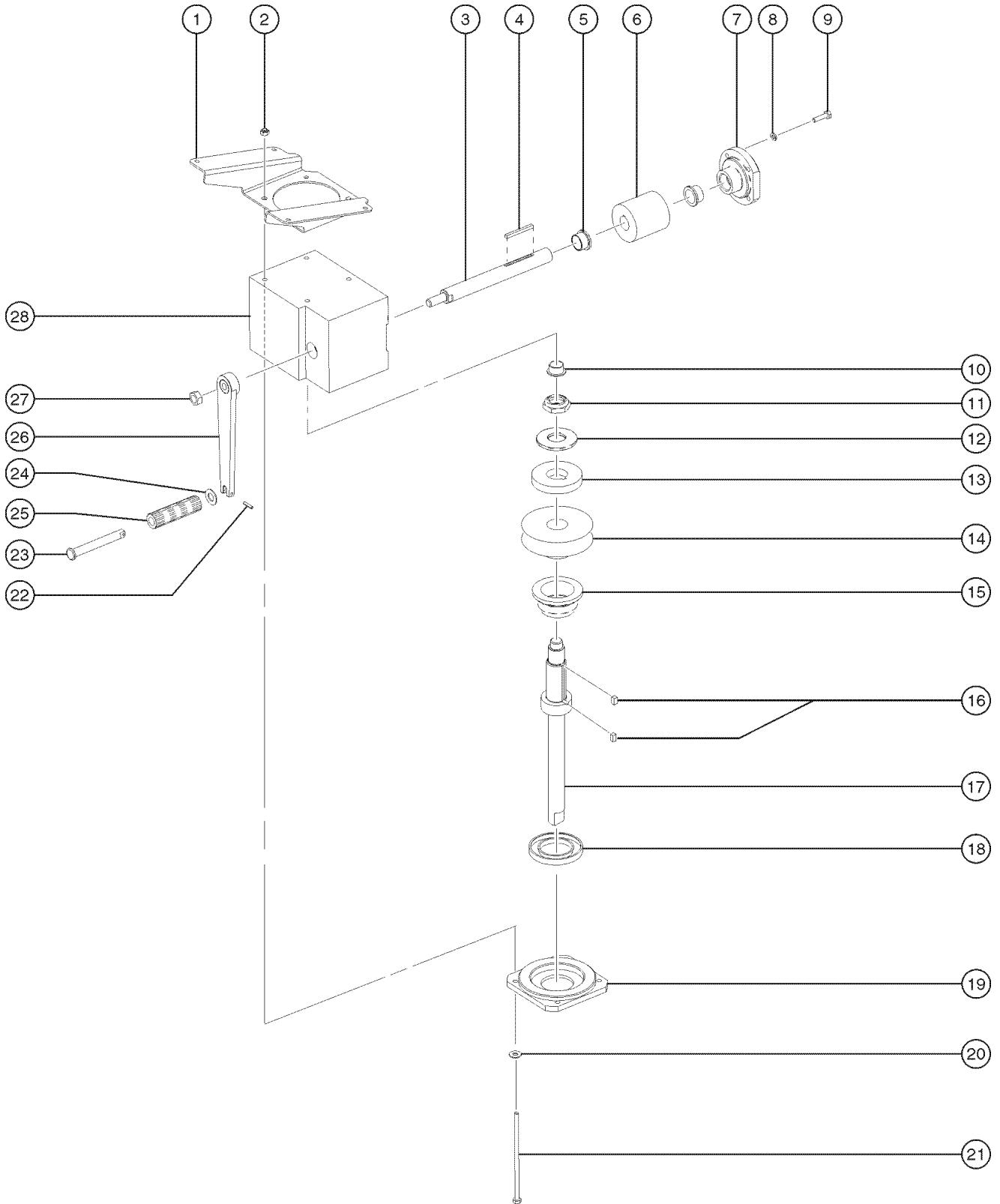
505.1 Gear Box Components



Item	Part No.	Description	Qty.
	99159GT	ASSEMBLY,PLAT ROTATE GEARBOX	
	87994GT	WORM & HANDLE ASSEMBLY	
		includes items 3, 4, 6 and 22-27	
	87995GT	WORM GEAR TRAIN ASSEMBLY	
		includes items 11-17	
1	99155GT	FORMING,CNTRL BOX MOUNT	1
2	824024GT	NUT, TL, 1/4-20, C, ZAG	
3	87818GT	SHAFT, WORM	1
4	28986-200GT	KEYSTOCK,STL .188 X 2" LG	2
5	13612GT	BUSHING,FLANGE .875 X 1 X .625	2
6	35831GT	WORM & WORM SHAFT ASSY-SERV***	1
7	87849GT	FLANGE, WORM BEARING	1
8	6356GT	WASHER,LOCK,.25	
9	824060GT	SCREW, HHC, 1/4-20 X 1, 8, ZAG	
10	76355GT	BUSHING, FLANGE,3/4X7/8X1/2	1
11	19331GT	NUT,LP NYLOCK,1-12	
12	22036GT	DISC SPRING-2.50 X 1.063	1
13	87862GT	COLLAR,WORM GEAR CLUTCH	1
14	13610GT	WORM GEAR,R.H.PER GENIE DWG	1
15	99130GT	CUP,WORM GEAR CUTCH	1
16	23927-044GT	KEYSTOCK,STL,.25 X .44" LG	2
17	87819GT	SHAFT, PLATFORM ROTATE	1
18	13614GT	SEAL, OIL,470094 PLAT.GEARBOX	1
19	99126GT	COVER,PLAT ROT GEARING	1
20	6638GT	WASHER, FLAT, USS, 1/4"Y	
21	99160GT	SCREW,HHC,1/4-20 X 6	
22	11420GT	PIN,GROOVED,.156 X .75	1
23	11276GT	HANDLE SWIVEL EXTENSION	1
24	67722GT	WASHER,FLAT,M12 HARDENED	
25	69167GT	WINCH HANDLE GRIP	



505.1 Gear Box Components

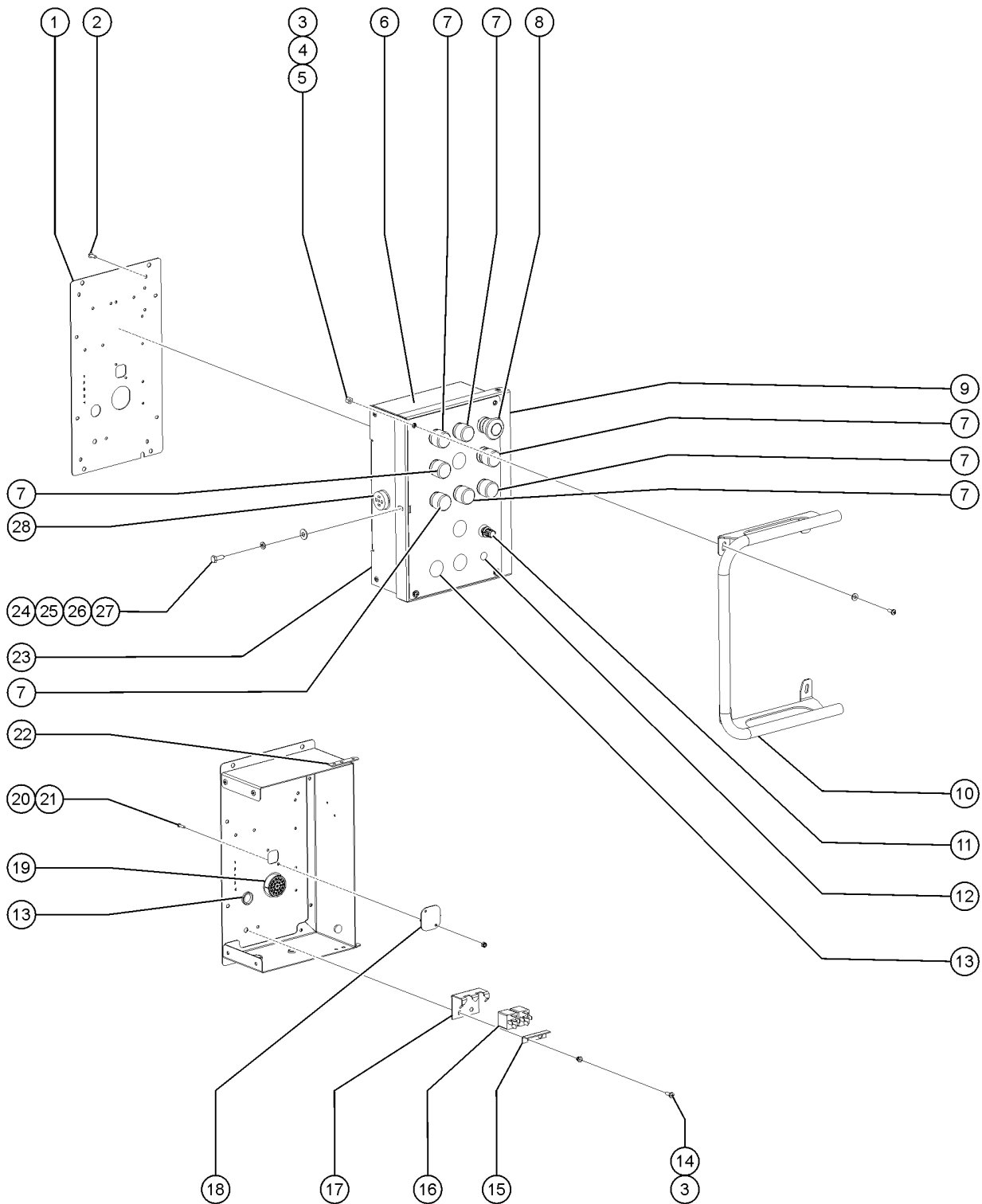


505.1 Gear Box Components

<i>Item</i>	<i>Part No.</i>	<i>Description</i>	<i>Qty.</i>
26	17884GT	HANDLE CASTING, PLAT. ROTATE	1
27	6086GT	NUT,LP NYLOCK,1/2-13	
28	99125GT	HOUSING,PLAT ROT GEARING***	1



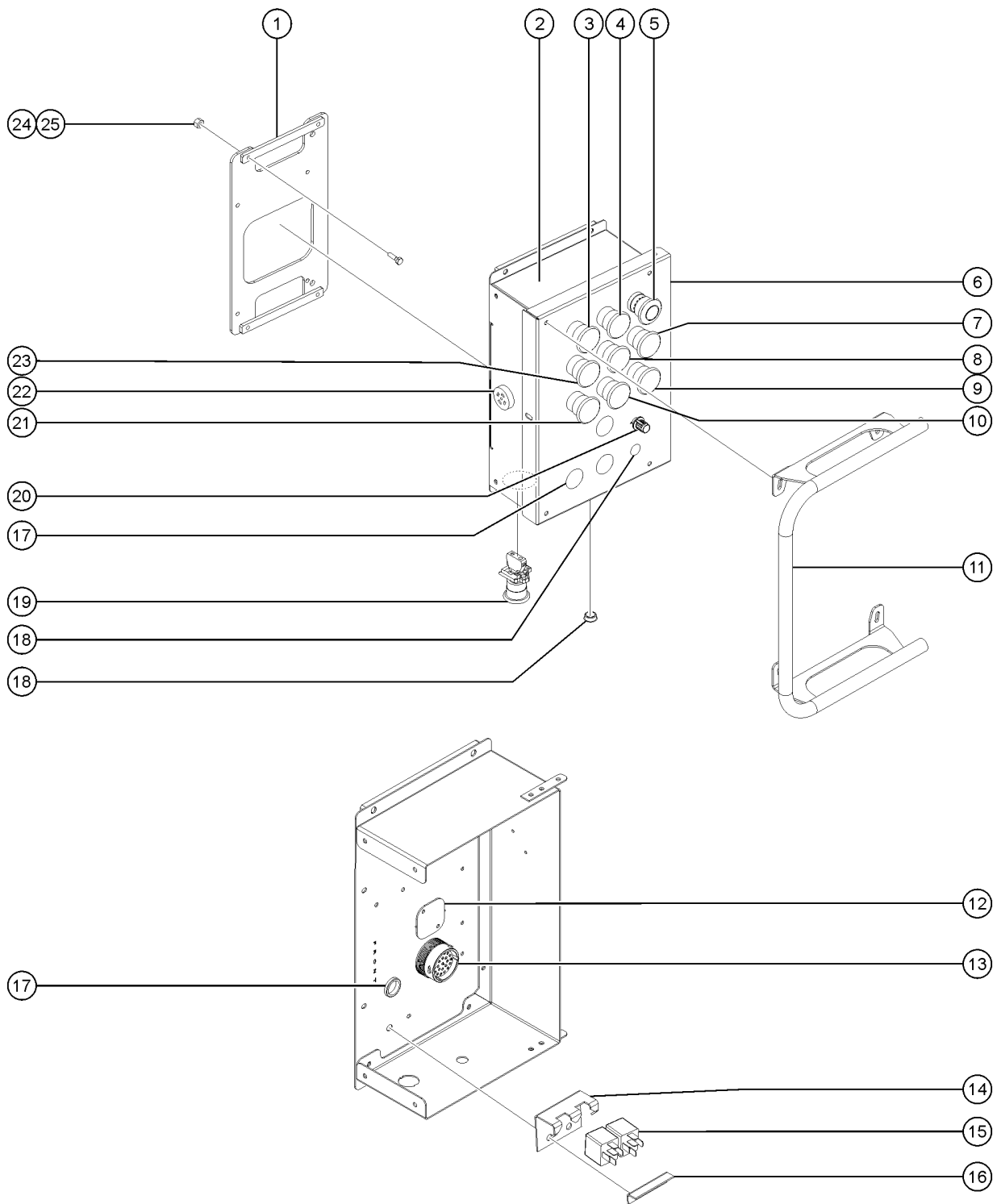
506.1 Platform Control Box



Item	Part No.	Description	Qty.
1	1283802GT	FORMING,TZ34,UPR,CTRL,BOT	1
2	41695GT	RIVET,STL,STL,.188 X .50	8
3	1251757GT	SCREW,PHPM,10-32X.50,ZAG	6
4	1253185GT	WASHER,FLAT,#10,USS,ZAG	4
5	1274168GT	NUT,NYLOCK,10-32,A,ZAG	4
6	1274940GT	FORMING,TZ,UPR,CTRL,SIDES	1
7	66813GT	BUTTON,PUSH,BLACK W/SEAL***	7
8	226322GT	ASM, E-STOP & BOOT	1
9	1274938GT	FORMING,TZ,UPR,CTRL,LID	1
10	1275924GT	WELDMENT, UPPER CTRL BOX GUARD, TZ34	1
11	104327GT	POTENTIOMETER ASSY 1-10K	1
12	45384GT	PLUG,NYLON .50 BLACK DOMED	1
13	15243GT	PLUG,NYLON .875 BLACK DOMED	5
14	23405GT	NUTSERT,10-32 STEEL CAD PLTD	2
15	104493GT	FORMING,RELAY HOLDER TZ34 LWR	1
16	56302GT	RELAY,24VDC,40/30A,SEALED***	2
17	104706GT	FORMING, RELAY MOUNT TZ34 UPR	1
18	99885GT	PLATE, PLUG COVER, 4 WAY	1
19	218696GT	CONNECTOR, RECEPTACLE, 23 WAY,	1
20	49820GT	SCREW,PHILLIPS,PHM,6-32 X .5	2
21	12344GT	NUT,NYLOCK,6-32	2
22	1271708GT	PLATE, FORMED, CONTROL BOX, HINGE	2
23	1274939GT	FORMING,TZ,UPR,CTRL,BASE	1
24	824059GT	SCREW, HHC, 1/4-20 X .75, 8, ZAG	1
25	824109GT	WASHER, LOCK, 1/4, ZAG	1
26	824113GT	WASHER,FLAT,1/4,USS,ZAG	1
27	25969GT	SPRING CLIP, 1/4-20 BLACK	1
28	45383GT	ALARM,WARBLE TONE 5-30 VDC***	1



507.1 Platform Control Box - ANSI, CSA Models with no Load Sense

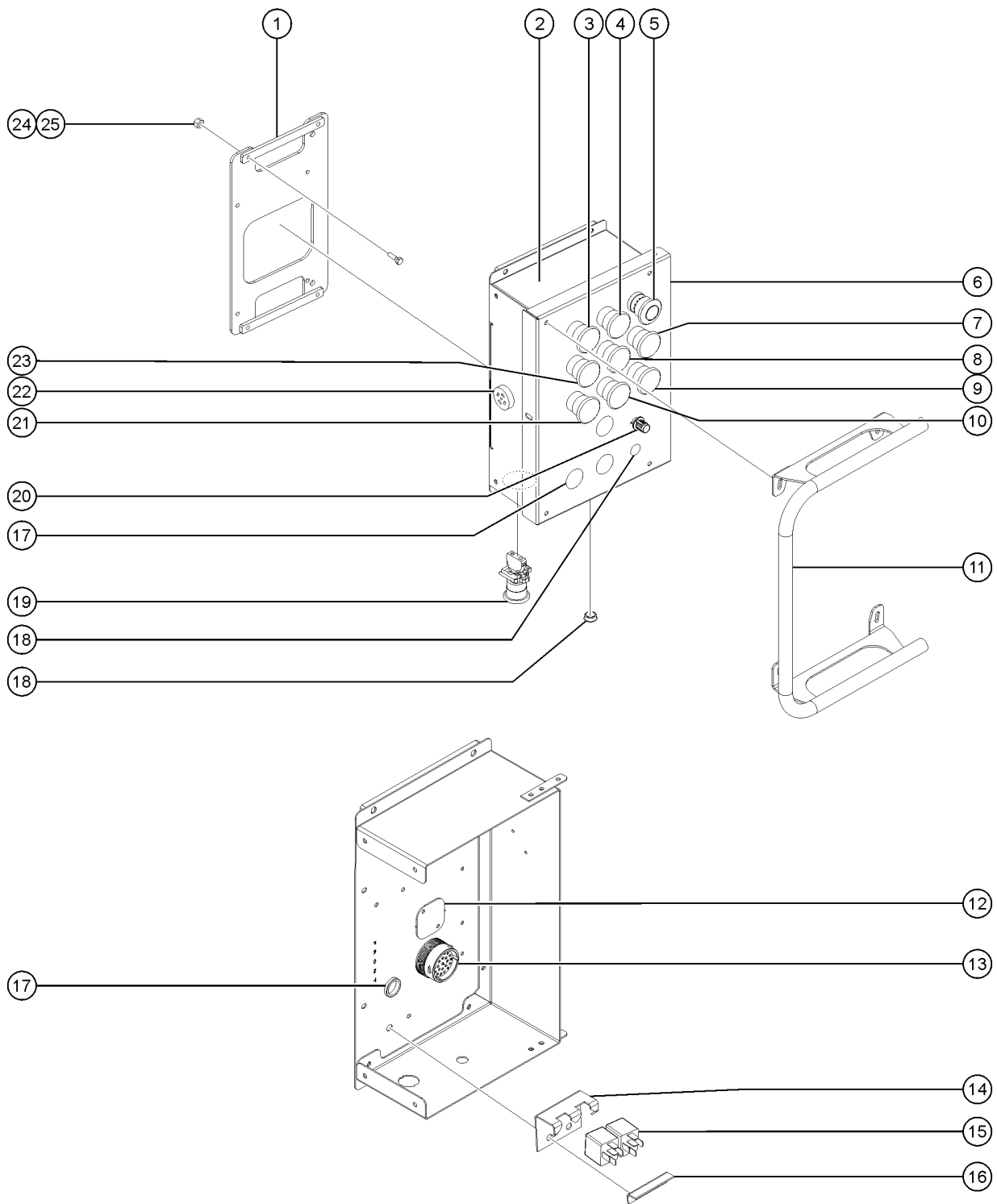


507.1 Platform Control Box - ANSI, CSA Models with no Load Sense

Item	Part No.	Description	Qty.
-	1287090GT	CONTROL BOX, TZ34,UPPER,NO LOADSENSE (complete)	
-	1287144GT	HARNESS, ADAPTER, TZ34,BOOM Required if replacing older Control Box Assy 104475GT or 87778GT	
1	1289557GT	KIT, TZ34 CONTROL BOX MOUNT ADAPTER (includes items 24 and 25)	1
2	1289869GT	CONTROL BOX,UPPER,METALTZ34 (includes items 6, 11, 14 and 16)	1
3	226320GT	ASM, BUTTON & BOOT, BLK	1
4	226320GT	ASM, BUTTON & BOOT, BLK	1
5	226322GT	ASM, E-STOP & BOOT	1
6	1301146GT	LID ASSEMBLY, UPPER CONTROL BOX, TZ (part of item 2)	1
6A	69773GT	SEAL, RIBBED FOAM, 3/8X1/8PSA** in inches	45
6B	824059GT	SCREW, HHC, 1/4-20 X .75, 8, ZAG to secure the lid closed	1
6B	824109GT	WASHER, LOCK, 1/4, ZAG for 824059	1
6B	824113GT	WASHER, FLAT, 1/4, USS, ZAG for 824059	1
6B	25969GT	SPRING CLIP, 1/4-20 BLACK for 824059	1
7	226320GT	ASM, BUTTON & BOOT, BLK	1
8	226320GT	ASM, BUTTON & BOOT, BLK	1
9	226320GT	ASM, BUTTON & BOOT, BLK	1
10	226320GT	ASM, BUTTON & BOOT, BLK	1
11	1275924GT	WELDMENT, UPPER CTRL BOX GUARD, TZ34 (part of item 2)	1
12	99885GT	PLATE, PLUG COVER, 4 WAY	1
13	218696GT	CONNECTOR, RECEPTACLE, 23 WAY,	1
14	104706GT	FORMING, RELAY MOUNT TZ34 UPR (part of item 2)	1
15	56302GT	RELAY, 24VDC, 40/30A, SEALED***	2
16	104493GT	FORMING, RELAY HOLDER TZ34 LWR (part of item 2)	1
17	15243GT	PLUG, NYLON .875 BLACK DOMED	4
18	45384GT	PLUG, NYLON .50 BLACK DOMED	2
19	226320GT	ASM, BUTTON & BOOT, BLK	1
19A-	66815GT	BASE, W/1 N.O. CONTACTS***	



507.1 Platform Control Box - ANSI, CSA Models with no Load Sense

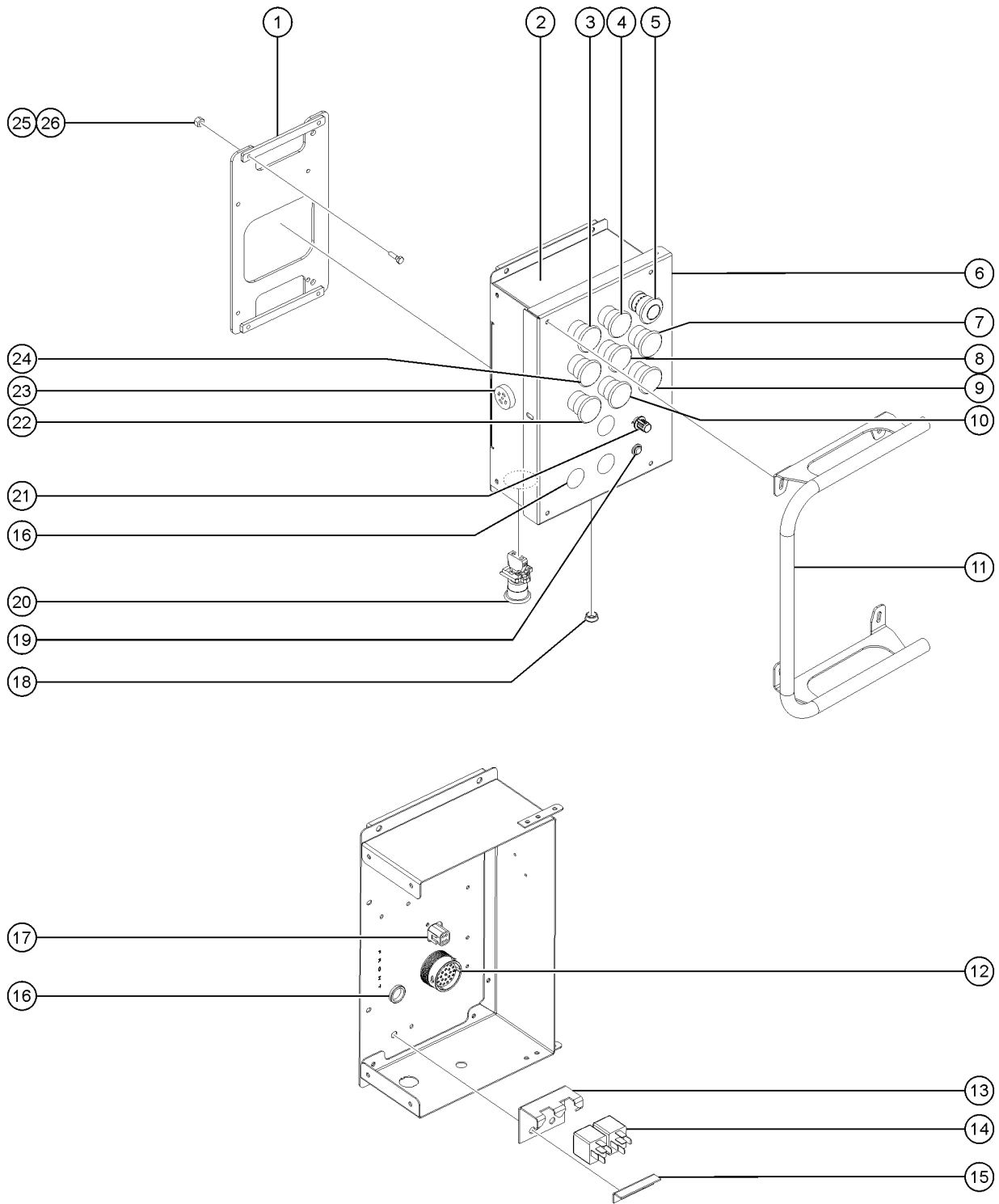


507.1 Platform Control Box - ANSI, CSA Models with no Load Sense

<i>Item</i>	<i>Part No.</i>	<i>Description</i>	<i>Qty.</i>
19B	15243GT	PLUG,NYLON .875 BLACK DOMED	
20	104327GT	POTENTIOMETER ASSY 1-10K	1
21	226320GT	ASM, BUTTON & BOOT, BLK	1
22	45383GT	ALARM,WARBLE TONE 5-30 VDC***	1
23	226320GT	ASM, BUTTON & BOOT, BLK	1
24	1274165GT	NUT,NYLOCK,1/4-20,C,ZAG	8
25	824060GT	SCREW, HHC, 1/4-20 X 1, 8, ZAG	8



508.1 Platform Control Box - ANSI, CSA Models with Load Sense

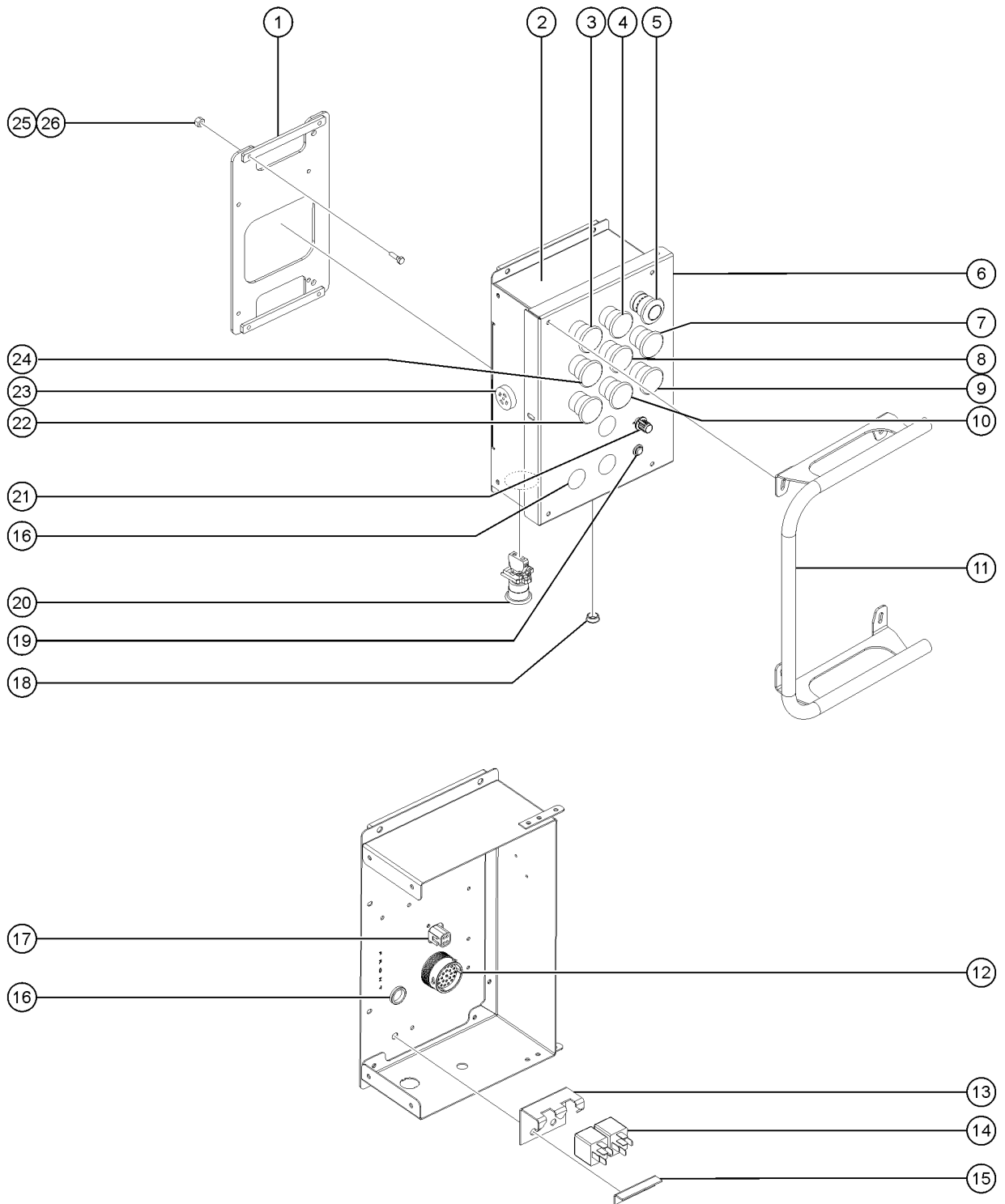


508.1 Platform Control Box - ANSI, CSA Models with Load Sense

Item	Part No.	Description	Qty.
-	1287091GT	CONTROL BOX, TZ34,UPPER,LOADSENSE (complete)	
-	1286186GT	CONTROL, LOAD SENSE (includes item 17A and 19A)	1
-	1287144GT	HARNESS, ADAPTER, TZ34,BOOM Required if replacing older Control Box Assy 104475GT or 87778GT	
1	1289557GT	KIT, TZ34 CONTROL BOX MOUNT ADAPTER (includes items 25 and 26)	1
2	1289869GT	CONTROL BOX,UPPER,METALTZ34 (includes items 6, 11, 13 and 15)	1
3	226320GT	ASM, BUTTON & BOOT, BLK	1
4	226320GT	ASM, BUTTON & BOOT, BLK	1
5	226322GT	ASM, E-STOP & BOOT	1
6	1301146GT	LID ASSEMBLY, UPPER CONTROL BOX, TZ (part of item 2)	
6A	69773GT	SEAL,RIBBED FOAM,3/8X1/8PSA** in inches	45
6B	824059GT	SCREW, HHC, 1/4-20 X .75, 8, ZAG to secure the lid closed	1
6B	824109GT	WASHER, LOCK, 1/4, ZAG for 824059	1
6B	824113GT	WASHER, FLAT, 1/4, USS, ZAG for 824059	1
6B	25969GT	SPRING CLIP, 1/4-20 BLACK for 824059	1
7	226320GT	ASM, BUTTON & BOOT, BLK	1
8	226320GT	ASM, BUTTON & BOOT, BLK	1
9	226320GT	ASM, BUTTON & BOOT, BLK	1
10	226320GT	ASM, BUTTON & BOOT, BLK	1
11	1275924GT	WELDMENT, UPPER CTRL BOX GUARD, TZ34 (part of item 2)	1
12	218696GT	CONNECTOR, RECEPTACLE, 23 WAY,	1
13	104706GT	FORMING, RELAY MOUNT TZ34 UPR (part of item 2)	1
14	56302GT	RELAY, 24VDC, 40/30A, SEALED***	2
15	104493GT	FORMING, RELAY HOLDER TZ34 LWR (part of item 2)	1
16	15243GT	PLUG, NYLON .875 BLACK DOMED	4
17	73723GT	CONN RECEPT, FLANGED	1
17B	99885GT	PLATE, PLUG COVER, 4 WAY	1
18	45384GT	PLUG, NYLON .50 BLACK DOMED	1



508.1 Platform Control Box - ANSI, CSA Models with Load Sense

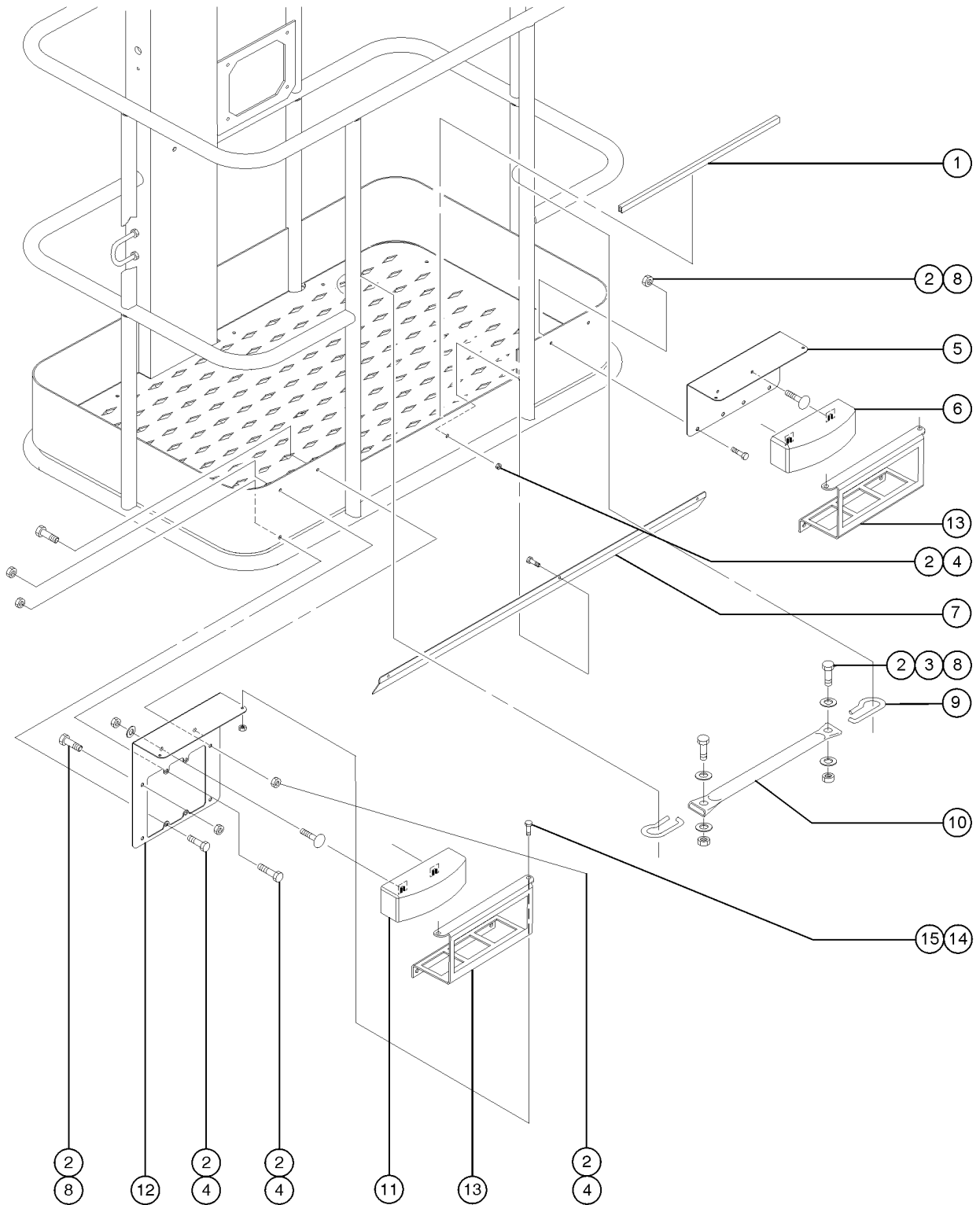


508.1 Platform Control Box - ANSI, CSA Models with Load Sense

<i>Item</i>	<i>Part No.</i>	<i>Description</i>	<i>Qty.</i>
19	99088GT	LED,RED 24V FLASHING	1
19B	45384GT	PLUG,NYLON .50 BLACK DOMED	1
20	226320GT	ASM, BUTTON & BOOT, BLK	1
20A-	66815GT	BASE, W/1 N.O. CONTACTS***	
20B	15243GT	PLUG,NYLON .875 BLACK DOMED	1
21	104327GT	POTENTIOMETER ASSY 1-10K	1
22	226320GT	ASM, BUTTON & BOOT, BLK	1
23	45383GT	ALARM,WARBLE TONE 5-30 VDC***	1
24	226320GT	ASM, BUTTON & BOOT, BLK	1
25	1274165GT	NUT,NYLOCK,1/4-20,C,ZAG	8
26	824060GT	SCREW, HHC, 1/4-20 X 1, 8, ZAG	8



509.1 Platform Components - ANSI and CSA Models

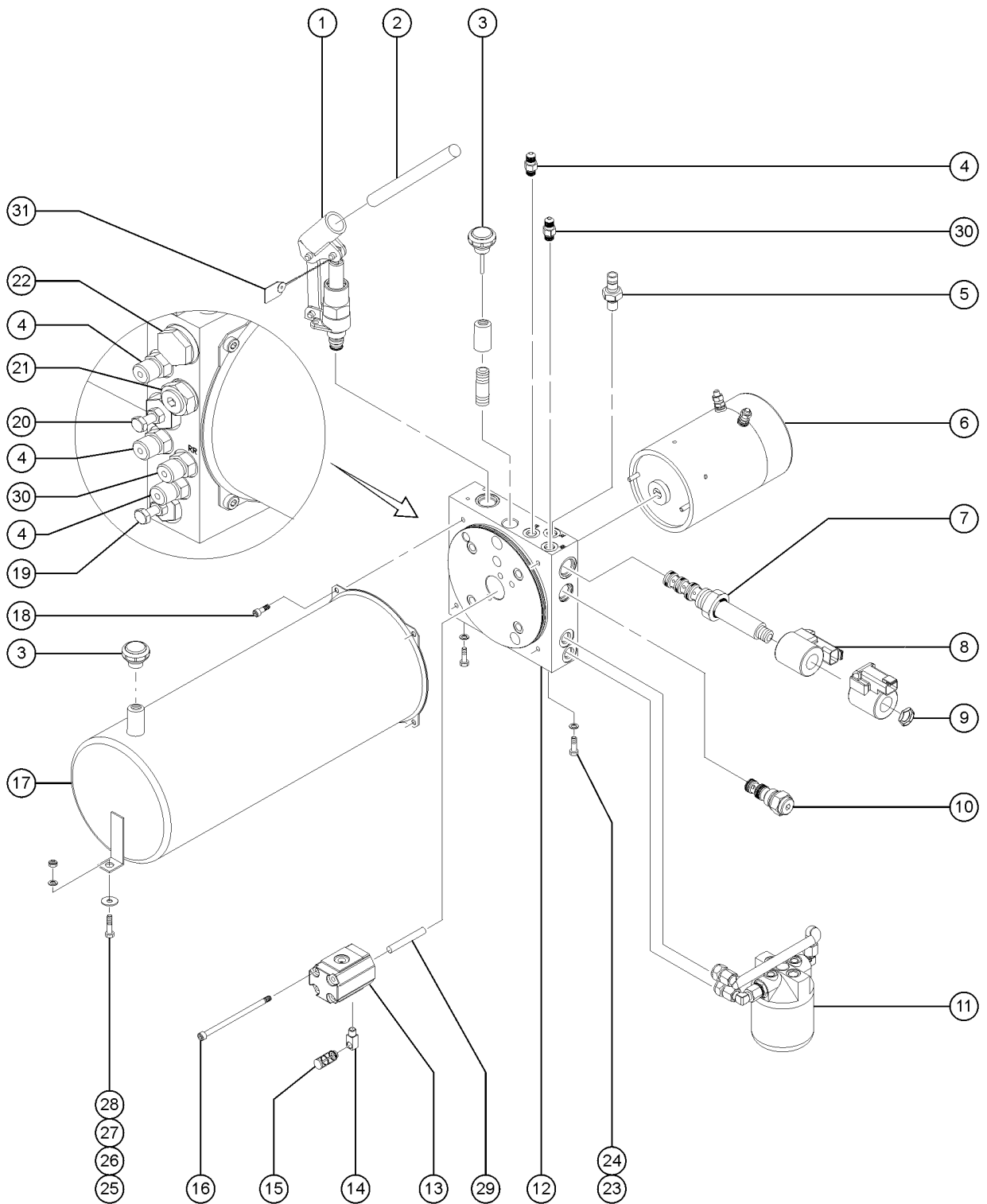


509.1 Platform Components - ANSI and CSA Models

Item	Part No.	Description	Qty.
1	76414GT	TRIMLOCK,BLACK,1/4" in inches	24
2	824024GT	NUT, TL, 1/4-20, C, ZAG	
3	6638GT	WASHER, FLAT, USS, 1/4"Y	
4	824059GT	SCREW, HHC, 1/4-20 X .75, 8, ZAG	
5	104348GT	FORMING,TAIL LIGHT,RT***	1
6	105307GT	TAILLIGHT,RIGHT W/HARDWARE***	1
6B	129083GT	TAILLIGHT,LED, RIGHT W/HARDWARE***	1
7	87969GT	FORMING,LIGHT CABLE COVER	1
8	824060GT	SCREW, HHC, 1/4-20 X 1, 8, ZAG	
9	41292GT	MID-RAIL GUIDE WITH LOOM	1
10	40712GT	TUBE,STD.SLIDING MIDRAIL-16.75 no longer available	1
11	105306GT	TAILLIGHT,LEFT W/HARDWARE***	1
11B	129082GT	TAILLIGHT,LED, LEFT W/HARDWARE***	1
12	104347GT	FORMING,TAIL LIGHT,LT***	1
13	105287GT	FORMING, TAIL LIGHT COVER	2
14	49819GT	SCREW,PHILLIPS,PHM,10-32 X .5	2
15	6178GT	NUT, NYLOCK, 10-32	2



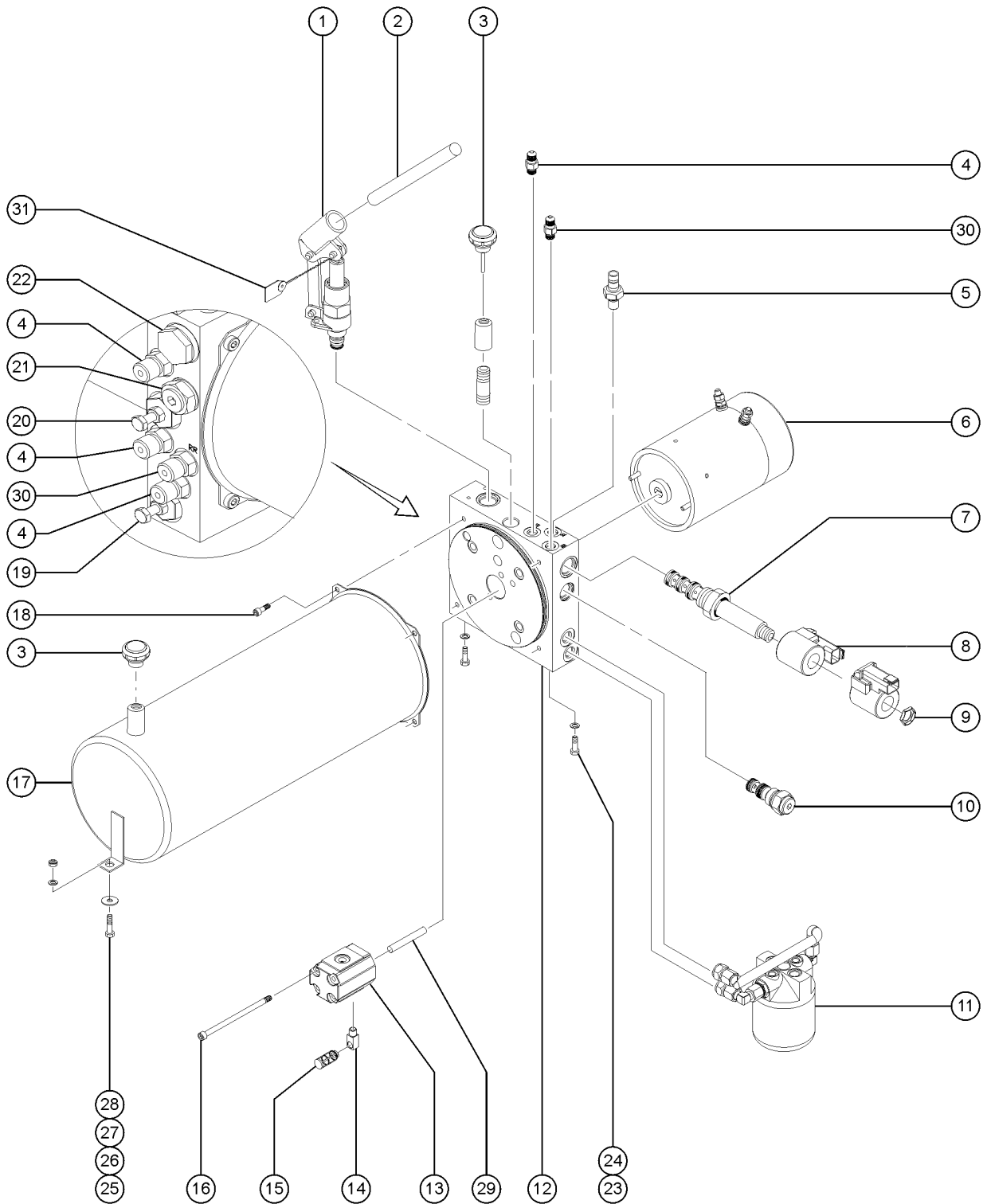
601.1 Hydraulic Power Unit



Item	Part No.	Description	Qty.
	219216GT	POWER UNIT, 24 VDC (replaced 124083, requires dual counterbalance valve kit 826887)	
1	84337GT	HAND PUMP, TZ-34	1
2	105412GT	TUBE, RD, STL, .840 X .10 X 23.0	1
3	84349GT	BREATHER CAPW/CHECK VALVE, TZ34	2
4	84345GT	ADAPTER, SAE4XSAE4MFS, TZ34	4
5	84350GT	NIPPLE, DIAGNOSTIC, TZ34	1
6	84338GT	DC MOTOR, 3KW-TZ34	1
7	104801GT	VALVE, SOLENOID 3POS 4WAY TZ34	1
7-	84427GT	SEAL KIT, SOLENOID VALVE, 4 POS*	
8	87456GT	COIL, 24VDC, DEUTZ CONN, SOLE	2
9	84341GT	COIL, NUT M18-1.5, TZ34	1
10	84351GT	VALVE, CHECK RP08A-01-C-N-15-3	1
10-	84428GT	SEAL KIT, HYDAC VALVES(84351)	
11	84342GT	FILTER HEAD, TZ34 ***	1
11-	84356GT	FILTER ELEMENT, TZ34	
11-	84357GT	FILTER TUBE ASSY KIT, (84342)	
12	84344GT	FLANGE, POWER UNIT, TZ34 empty manifold block only, valves and seals ordered separately	1
12-	84358GT	O-RING (FLANGE 84344), TZ34	
13	124100GT	PUMP, 1.66CC, HYDAC when replacing the hydraulic pump you must also order PN 1284782GT or 1285358GT Kit, Upper Control Box Potentiometer from figure 506.1 Platform Control Box to keep the pump above 500 rpm and prevent damage to the new hydraulic pump.	1
14	84353GT	SUCTION LINE, POWER UNIT, TZ34	1
15	84354GT	SUCTION FILTER, POWER UNIT, TZ34	1
16	84355GT	PUMP FASTENERS, POWER UNIT, TZ34	2
17	124084GT	RESERVIOR, 630LX160RD	1
18	84343GT	RESERVOIR FASTENERS	4
19	84346GT	RELIEF VALVE, DB4, TZ-34***	1
19-	84435GT	SEAL KIT, RELIEF VALVE (84346)*	
20	84346GT	RELIEF VALVE, DB4, TZ-34***	1



601.1 Hydraulic Power Unit

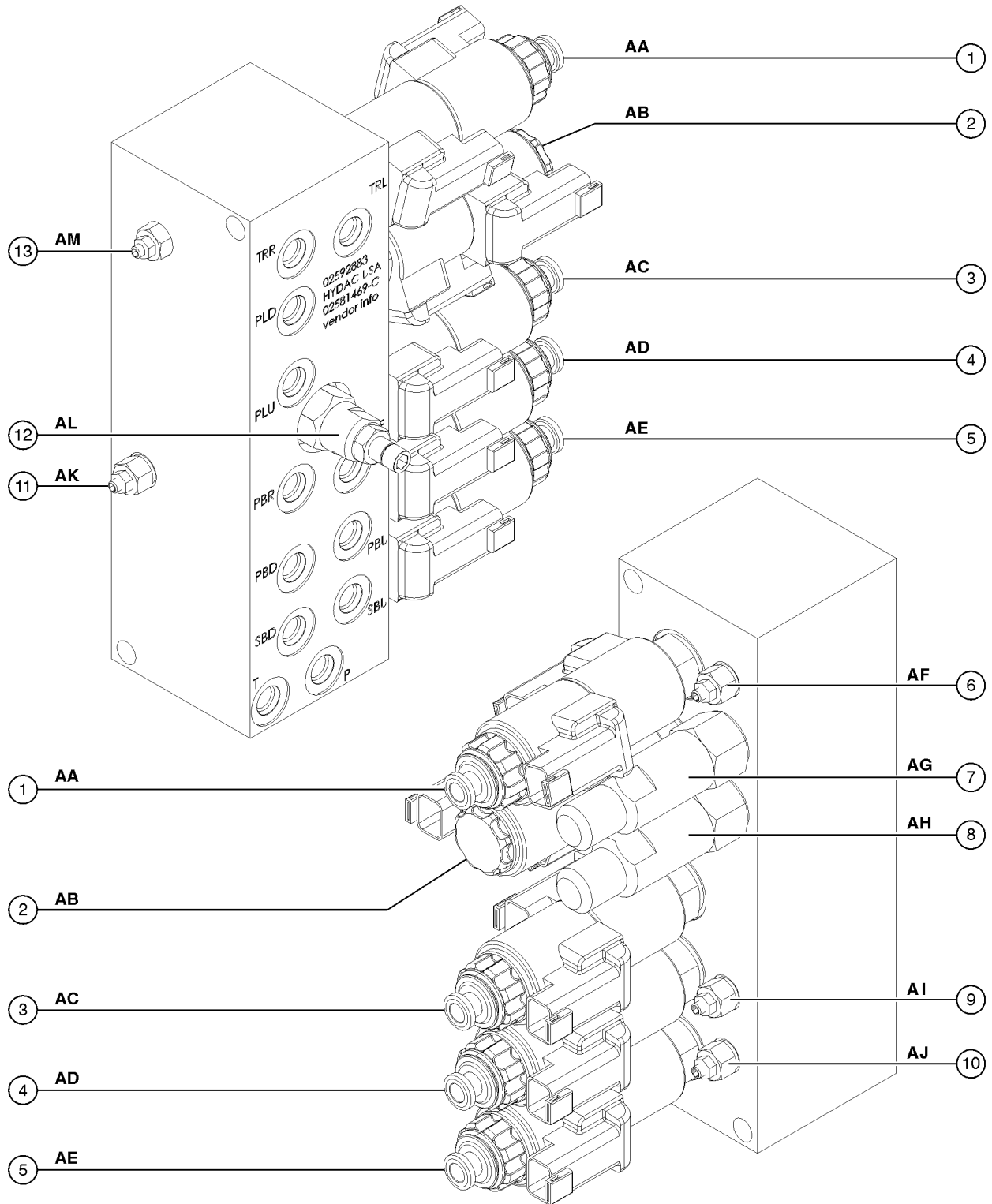


601.1 Hydraulic Power Unit

<i>Item</i>	<i>Part No.</i>	<i>Description</i>	<i>Qty.</i>
20-	84431GT	O-RING,RELIEF VALVE	
21	84347GT	VALVE,CHECK,RV08A-01-C-N-05	5
21-	84436GT	SEAL KIT,CHECK VALVE (84347)	
22	84348GT	SIGHT GLAS, POWER UNIT,TZ34	1
23	10107GT	SCREW,HHC,5/16-18 X .75	1
24	49408GT	WASHER, LOCK, M8	1
25	824060GT	SCREW, HHC, 1/4-20 X 1, 8, ZAG	1
26	228725GT	WASHER	1
27	6356GT	WASHER,LOCK,.25	1
28	824024GT	NUT, TL, 1/4-20, C, ZAG	1
29	58430GT	SHAFT,TZ34/20	1
		for 124100	
30	39882GT	PLUG, HEX SOCKET, 090109B-4	2
31	1261459GT	TIE, RED BEADED SECURITY	1



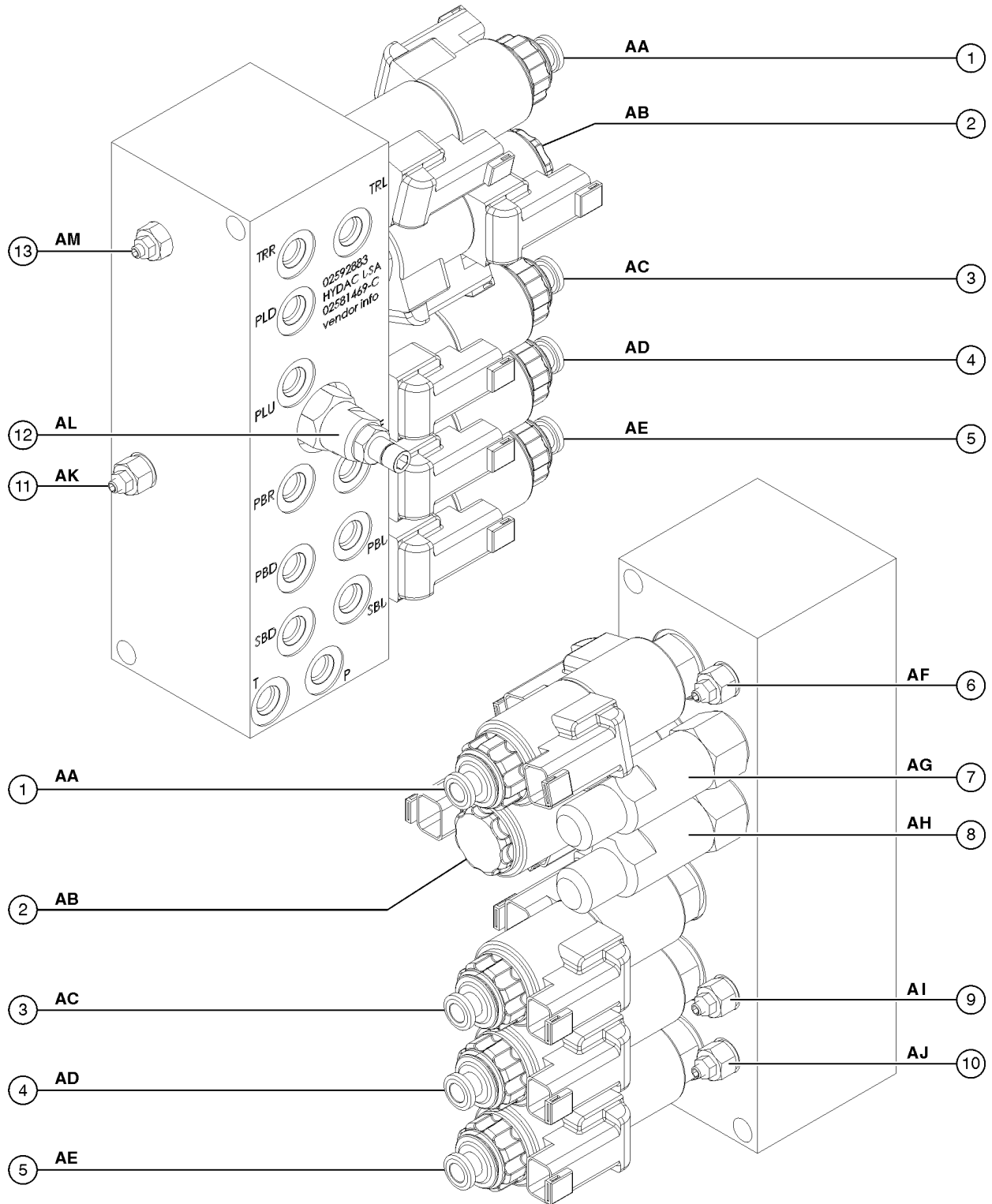
602.1 Function Manifold



Item	Part No.	Description	Qty.
--	104651GT	MANIFOLD, HYDRAULIC, TZ34*** Complete	
--	28750GT	O-RING KIT, FIELD SVC, ALL PROD*	
--	33994GT	PLUG AND CAP KIT-SERVICE, 37?*	
--	49613GT	PLUG AND CAP KIT-SERVICE, ORFS*	
1	104800GT	VALVE, SOLENOID 3POS 4WAY, TZ34 AA, Turntable rotate left/right (item # 1A & 1B are not included and must be purchased separately)	1
1A	84427GT	SEAL KIT, SOLENOID VALVE, 4 POS*	
1B	87456GT	COIL, 24VDC, DEUTZ CONN, SOLE	
2	104801GT	VALVE, SOLENOID 3POS 4WAY TZ34 AB, Platform level (item # 2A & 2B are not included and must be purchased separately)	1
2A	84427GT	SEAL KIT, SOLENOID VALVE, 4 POS*	
2B	87456GT	COIL, 24VDC, DEUTZ CONN, SOLE	
3	104799GT	VALVE, SOLENOID 3POS 4WAY, TZ34 AC, Boom extend/retract (item # 3A & 3B are not included and must be purchased separately)	1
3A	84427GT	SEAL KIT, SOLENOID VALVE, 4 POS*	
3B	87456GT	COIL, 24VDC, DEUTZ CONN, SOLE	
4	104798GT	VALVE, SOLENOID 3POS 4WAY, TZ34 AD, Primary boom up/down (item # 4A & 4B are not included and must be purchased separately)	1
4A	84427GT	SEAL KIT, SOLENOID VALVE, 4 POS*	
4B	87456GT	COIL, 24VDC, DEUTZ CONN, SOLE	
5	104798GT	VALVE, SOLENOID 3POS 4WAY, TZ34 AE, Secondary boom up/down (item # 5A & 5B are not included and must be purchased separately)	1
5A	84427GT	SEAL KIT, SOLENOID VALVE, 4 POS*	
5B	87456GT	COIL, 24VDC, DEUTZ CONN, SOLE	
6	1316841GT	RELIEF VALVE, FUNCTION MANIFOLD, TZ34 AF, Turntable rotate circuit (item # 6A is not included and must be purchased separately), Check the service manuals for setting up the pressure (1200PSI)	1
6A	84431GT	O-RING, RELIEF VALVE	
7	84333GT	VALVE, COUNTER BALANCE, 3300PSI AG, Turntable level up circuit (item # 7A is not included and must be purchased separately)	1
7A	84425GT	SEAL KIT, SOLENOID VALVE, 2 POS	
8	84333GT	VALVE, COUNTER BALANCE, 3300PSI AH, Platform level down circuit (item # 8A is not included and must be purchased separately)	1
8A	84425GT	SEAL KIT, SOLENOID VALVE, 2 POS	
9	1316841GT	RELIEF VALVE, FUNCTION MANIFOLD, TZ34 AI, Primary boom circuit (item # 9A is not included and must be purchased separately), check service manuals for setting up the pressure (1200PSI)	1



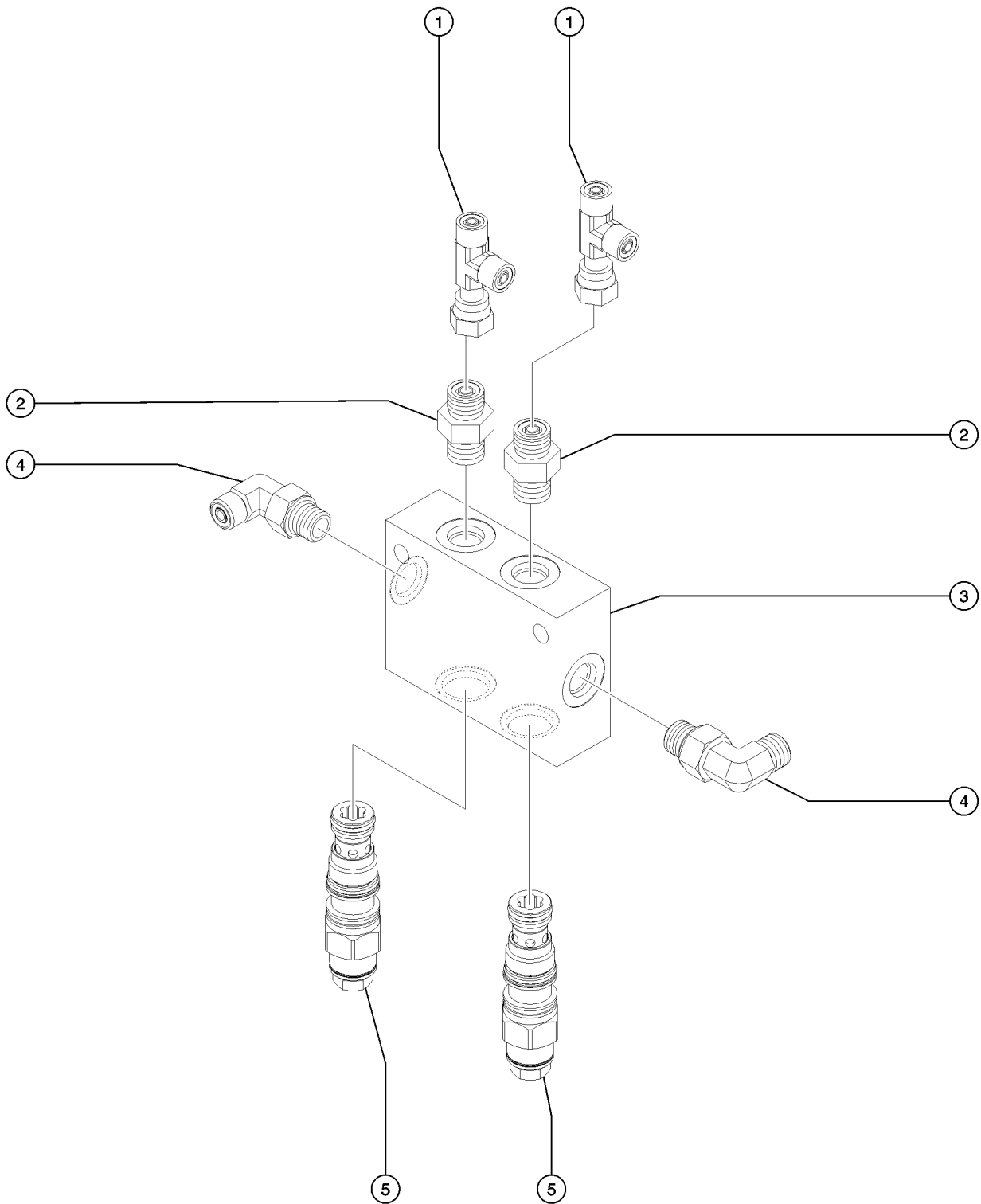
602.1 Function Manifold



Item	Part No.	Description	Qty.
9A	84431GT	O-RING,RELIEF VALVE	
10	1316841GT	RELIEF VALVE, FUNCTION MANIFOLD, TZ34 AJ, Secondary boom circuit (item # 10A is not included and must be purchased separately) ,Check the service manuals for setting up the pressure (1000PSI)	1
10A	84431GT	O-RING,RELIEF VALVE	
11	1316841GT	RELIEF VALVE, FUNCTION MANIFOLD, TZ34 AK, Boom extend circuit;(item # 11A is not included and must be purchased separately), check the service manuals for setting up the pressure,(1500PSI)	1
11A	84431GT	O-RING,RELIEF VALVE	
12	104604GT	VALVE,FLOW CONTROL .34 GPM AL, Platform level/turntable rotate circuit (item # 12A is not included and must be purchased separately)	1
12A	84436GT	SEAL KIT,CHECK VALVE (84347)	
13	1316841GT	RELIEF VALVE, FUNCTION MANIFOLD, TZ34 AM, Turntable rotate circuit (item # 13A is not included and must be purchased separately), Check the service manuals for setting up the pressure (1200PSI)	1
13A	84431GT	O-RING,RELIEF VALVE	



603.1 Dual Counterbalance Assembly, Outriggers

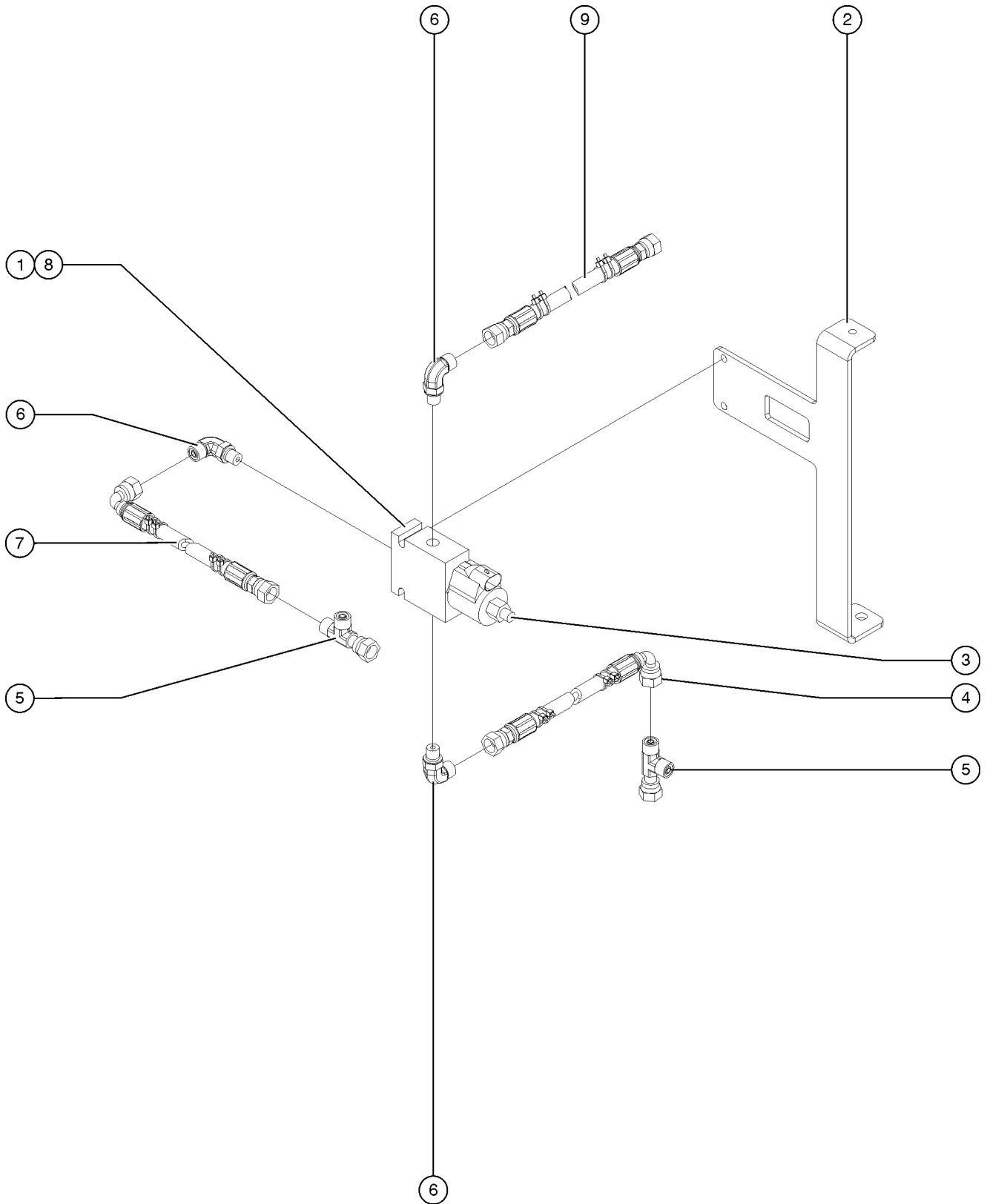


603.1 Dual Counterbalance Assembly, Outriggers

<i>Item</i>	<i>Part No.</i>	<i>Description</i>	<i>Qty.</i>
1	48908GT	FITTING,TEE,RUN,SWIVEL520432-4	2
2	48912GT	CONN,520120-4-6***	2
3	76061GT	MANIFOLD,TWO CAVITY X-PILOTED	1
4	48911GT	ELBOW,90D,520220-4-6***	2
5	76069GT	VALVE,COUNTERBALANCE 4000 PSI	2



604.1 Manifold/Solenoid Assembly, Rotate Brake

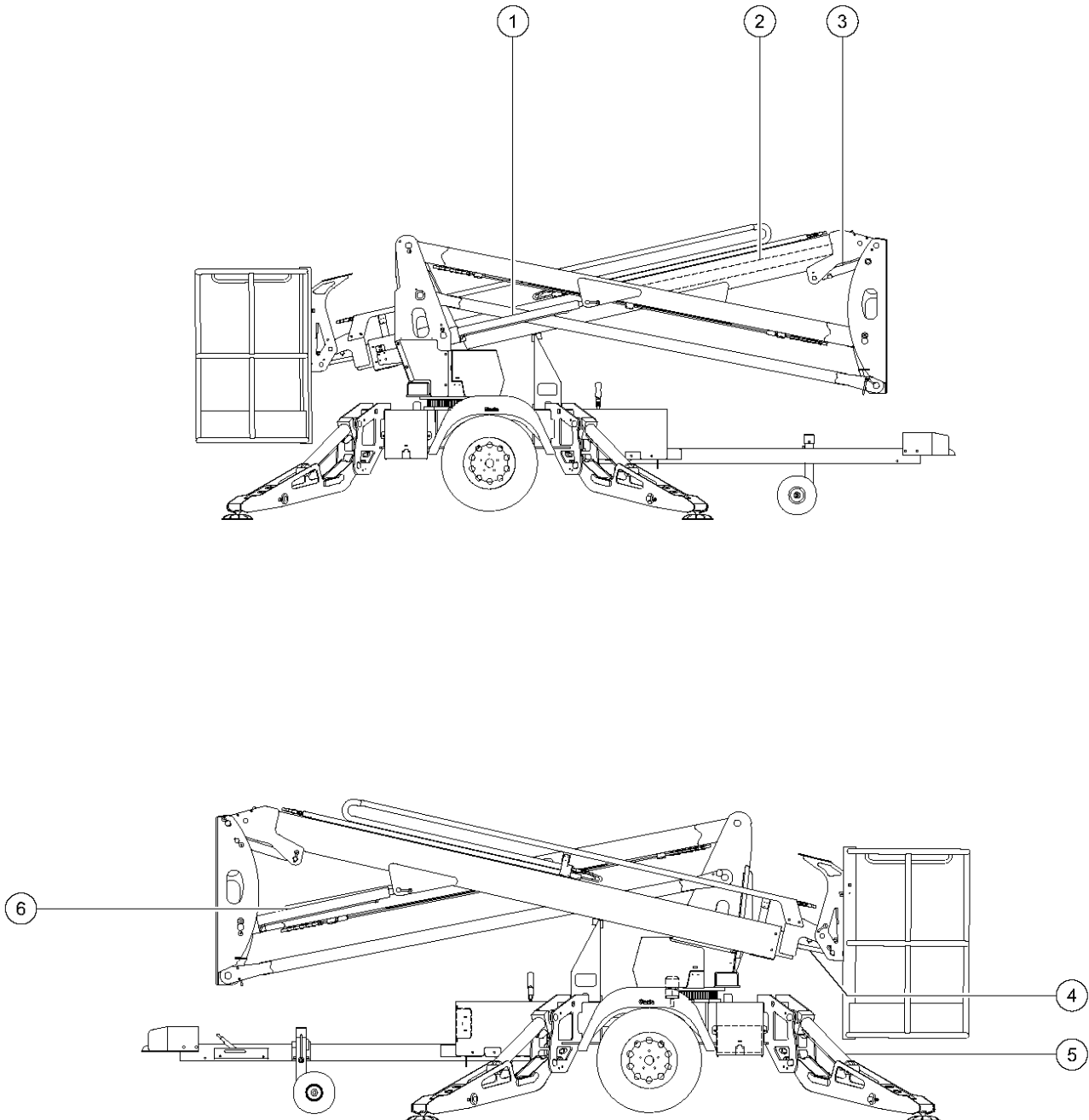


604.1 Manifold/Solenoid Assembly, Rotate Brake

Item	Part No.	Description	Qty.
1	1255049GT	ASSEMBLY, MANIFOLD AND SOLENOID (includes item 8)	1
1-	1300211GT	COIL (1255049)	
1-	1300212GT	SEAL KIT (1255049)	
2	825186GT	TURNTABLE COVER, SUPPORT BRACK	1
3	62817GT	VALVE-SOLENOID, 2 POS 3 WAY***	
4	1253841GT	ASSEMBLY, HOSE, BRAKE MOTOR, LONG	1
5	48908GT	FITTING, TEE, RUN, SWIVEL 520432-4	
		connects to 1253841	
5B	48906GT	TEE, RUN, 520428-4	
		connects to 1254646	
6	48904GT	ELBOW, 90D, 520220-4	3
7	1254646GT	ASSEMBLY, HOSE, BRAKE MOTOR, FRONT	1
8	1254257GT	MANIFOLD, 3-WAY	1
9	1253840GT	ASSEMBLY, HOSE, BRAKE MOTOR, SHORT	1



605.1 Hydraulic Cylinders

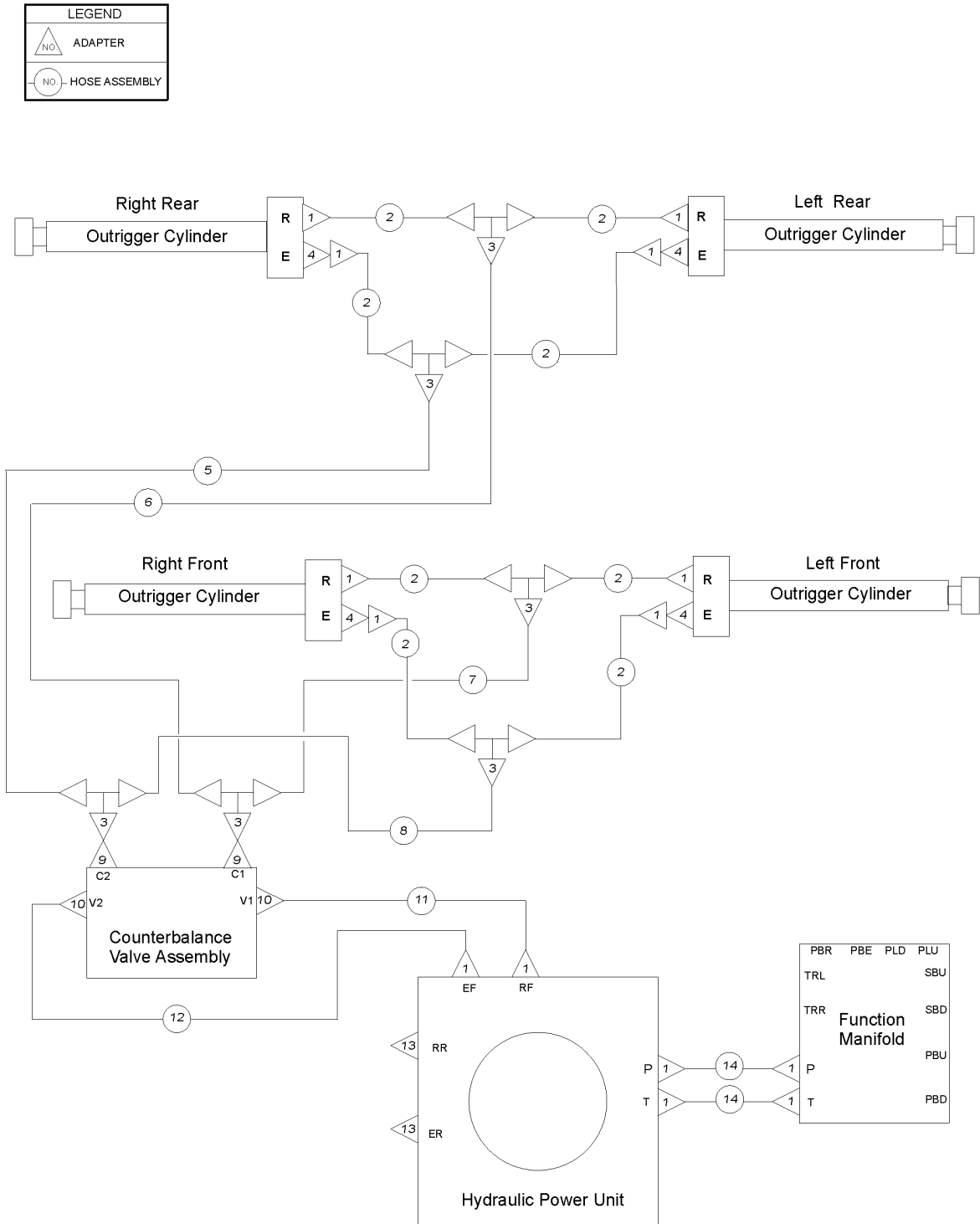


605.1 Hydraulic Cylinders

Item	Part No.	Description	Qty.
1	T108054GT	CYLINDER, SECONDARY LIFT to SN TZ34F-4751	1
1-	T108067GT	SEAL KIT, CYL T108054GT	
1B	1298571GT	CYLINDER, SECONDARY LIFT TZ34 from SN TZ34F-4752	1
1B-	1302621GT	KIT,SEAL,CYLINDER FOR 1298571	
2	T108055GT	CYLINDER, EXTENSION to SN TZ34F-4749	1
2-	T108068GT	SEAL KIT, CYL T108055GT	
2B	1298572GT	CYLINDER, EXTENSION TZ34 from SN TZ34F-4750	1
2B-	1302622GT	KIT,SEAL,CYLINDER FOR 1298572	
2B-	T108068GT	SEAL KIT, CYL T108055GT	
3	T108056GT	CYLINDER, MASTER to SN TZ34F-4738	1
3-	T108069GT	SEAL KIT, CYL T108056	
3B	1298573GT	CYLINDER, MASTER TZ34 from SN TZ34F-4739	1
3B-	1302623GT	KIT,SEAL,CYLINDER FOR 1298573	
4	T108057GT	CYLINDER, SLAVE to SN TZ34F-4738	1
4-	T108070GT	SEAL KIT, CYL T108057	
4B	1298574GT	CYLINDER, SLAVE TZ34 from SN TZ34F-4739	1
4B-	1302624GT	KIT,SEAL,CYLINDER FOR 1298574	
5	T108058GT	CYLINDER, OUTRIGGER to SN TZ34F-4753	1
5-	T108071GT	SEAL KIT, CYL T108058	
5B	1298575GT	CYLINDER, OUTRIGGER TZ34 from SN TZ34F-4754	1
5B-	1302625GT	KIT,SEAL,CYLINDER FOR 1298575	
6	T108059GT	CYLINDER, PRIMARY LIFT to SN T34F-4678	1
6-	T108072GT	SEAL KIT,CYL T108059	
6B	1298576GT	CYLINDER, PRIMARY LIFT TZ34 from SN TZ34F-4679	1
6B-	1302626GT	KIT,SEAL,CYLINDER FOR 1298576	



606.1 Hydraulic Hoses and Fittings - Outrigger System

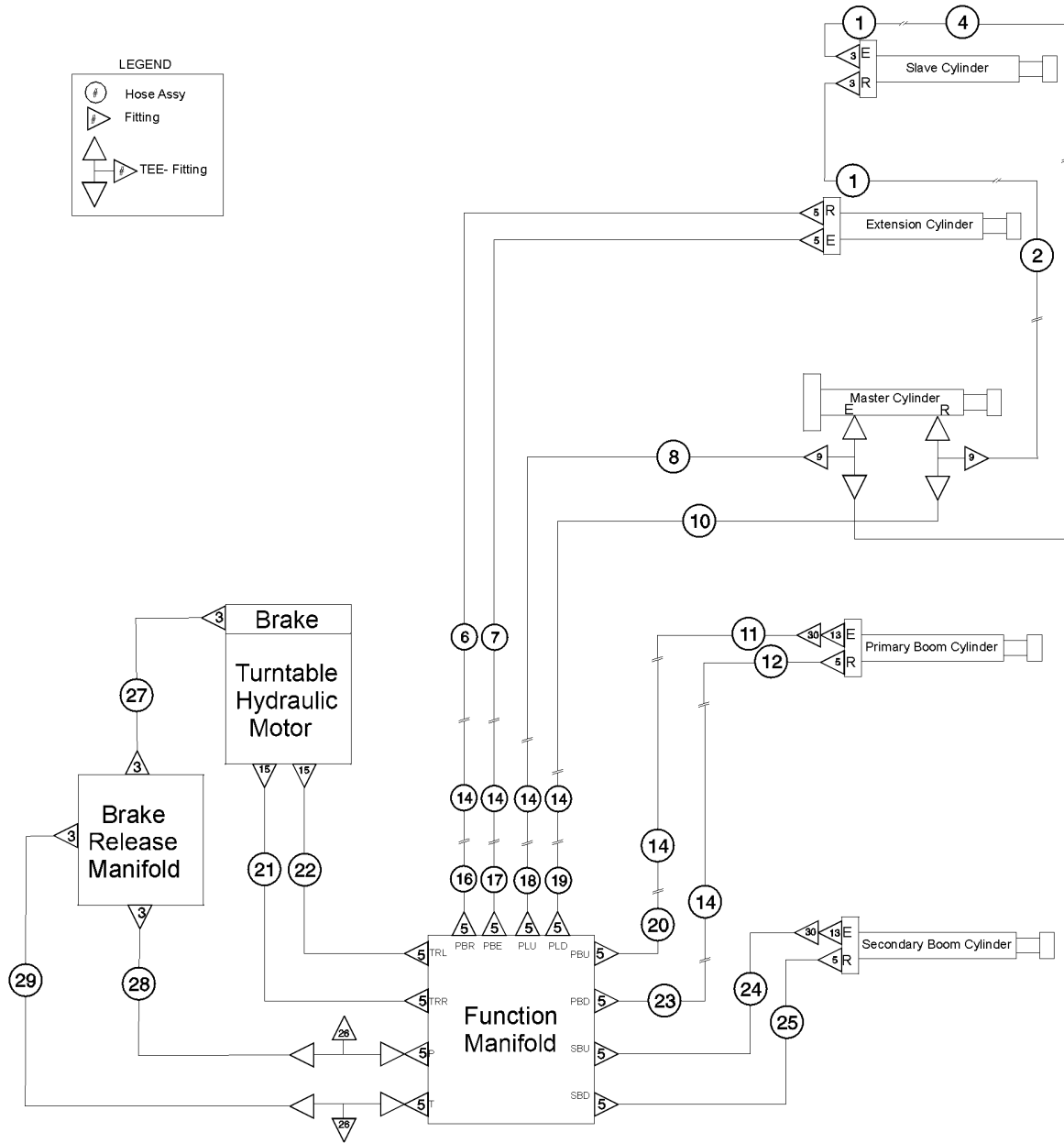


606.1 Hydraulic Hoses and Fittings - Outrigger System

<i>Item</i>	<i>Part No.</i>	<i>Description</i>	<i>Qty.</i>
1	48905GT	CONNECTOR, 520120-4	10
2	1304723GT	HOSE ASSY, TEE TO CYL LONGT TZ*	8
3	48908GT	FITTING, TEE, RUN, SWIVEL 520432-4	6
4	67744GT	ORIFICE, SHORT, 0.037 INCH	4
5	1304725GT	ASSY, HOSE, C2-ER TEE (WH/BLK)	1
6	1304724GT	ASSY, HOSE, C1-RR TEE (BLK/YE)	1
7	1304726GT	HOSE ASSY, PWR UNIT TO RF TEE**	1
8	1304727GT	ASSY, HOSE, C2-EF TEE (BLU/WH)	1
9	48912GT	CONN, 520120-4-6***	6
10	48911GT	ELBOW, 90D, 520220-4-6***	2
11	1304728GT	ASSY, HOSE, V1-RF (ORANGE)	1
12	1304729GT	ASSY, HOSE, V2-EF (PURPLE)	1
13	39882GT	PLUG, HEX SOCKET, 090109B-4	2
14	1304730GT	HOSE ASSY, PWR UNIT TO MANIFOLD	2



607.1 Hydraulic Hoses and Fittings - Boom System

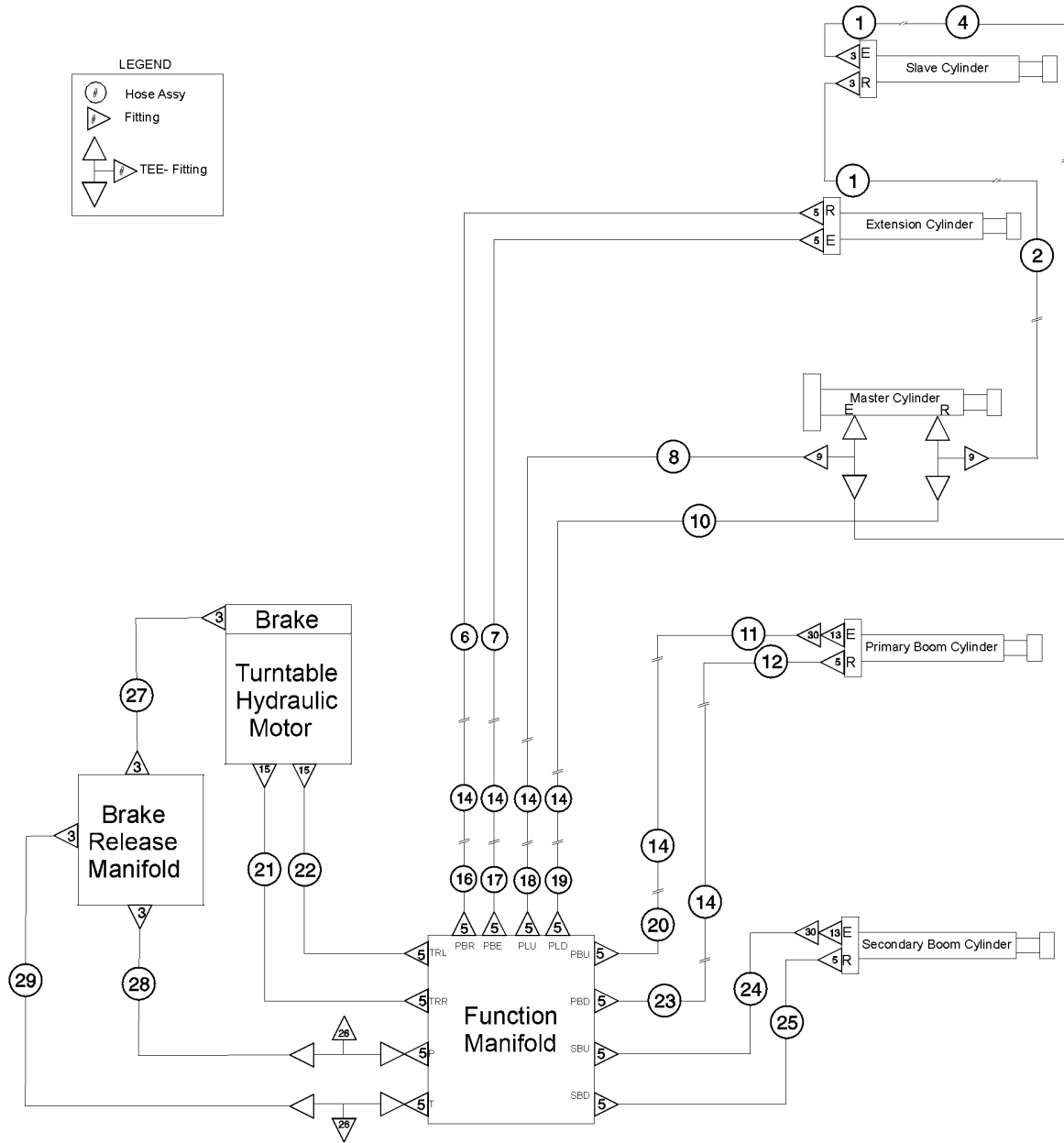


607.1 Hydraulic Hoses and Fittings - Boom System

Item	Part No.	Description	Qty.
1	1304731GT	HOSE ASSY,SLAVE CYL	2
2	1304751GT	HOSE ASSY,MAST,RETR	1
3	48904GT	ELBOW, 90D, 520220-4	2
4	1304750GT	HOSE ASSY,MAST,EXT	1
5	48905GT	CONNECTOR, 520120-4	16
6	1304737GT	HOSE ASSY, EXTENSION CYL, RET	1
7	1304736GT	HOSE ASSY, EXTENSION CYL, EXT	1
8	1303732GT	FORMING,AIR CLEANER MOUNT,BASE,D1803	1
9	48906GT	TEE,RUN,520428-4	2
10	1303733GT	FORMING,AIR CLEANER MOUNT,D1803	1
11	130742GT	KIT,GASKET,JD-4045	1
12	1304743GT	HOSE ASSY, UPPER BOOM CYL, RET	1
13	76596GT	ORIFICE, SHORT .028	1
14	87936GT	HYD LINE ASSEMBLY	6
15	48916GT	CONN, 520120-6	2
16	1304738GT	HOSE ASSY, MFD-LB, EXT CYL,RET	1
17	1304739GT	HOSE ASSY, MFD-LB,EXT CYL, EXT	1
18	1304735GT	HOSE ASSY,MFD TO LB,MSTR CYL,E	1
19	1304734GT	HOSE ASSY,MFD TO LB,MSTR CYL,R	1
20	1304752GT	HOSE ASSY,MFD-LB,UPR LIFT, EXT	1
21	1304745GT	HOSE ASSY, ROTATE MOTOR, CW	1
22	1304746GT	HOSE ASSY, ROTATE MOTOR, CCW	1
23	1304744GT	HOSE ASSY,MFD-LB,UPR LIFT, RET	1
24	1304740GT	HOSE ASSY, LOWER BOOM CYL, EXT	1
25	1304741GT	HOSE ASSY, LOWER BOOM CYL, RET	1
26	48908GT	FITTING,TEE,RUN,SWIVEL520432-4	2
27	1253840GT	ASSEMBLY, HOSE, BRAKE MOTOR, SHORT	1
27B	1304749GT	ASSEMBLY, HOSE, BRAKE MOTOR, SHORT	1



607.1 Hydraulic Hoses and Fittings - Boom System

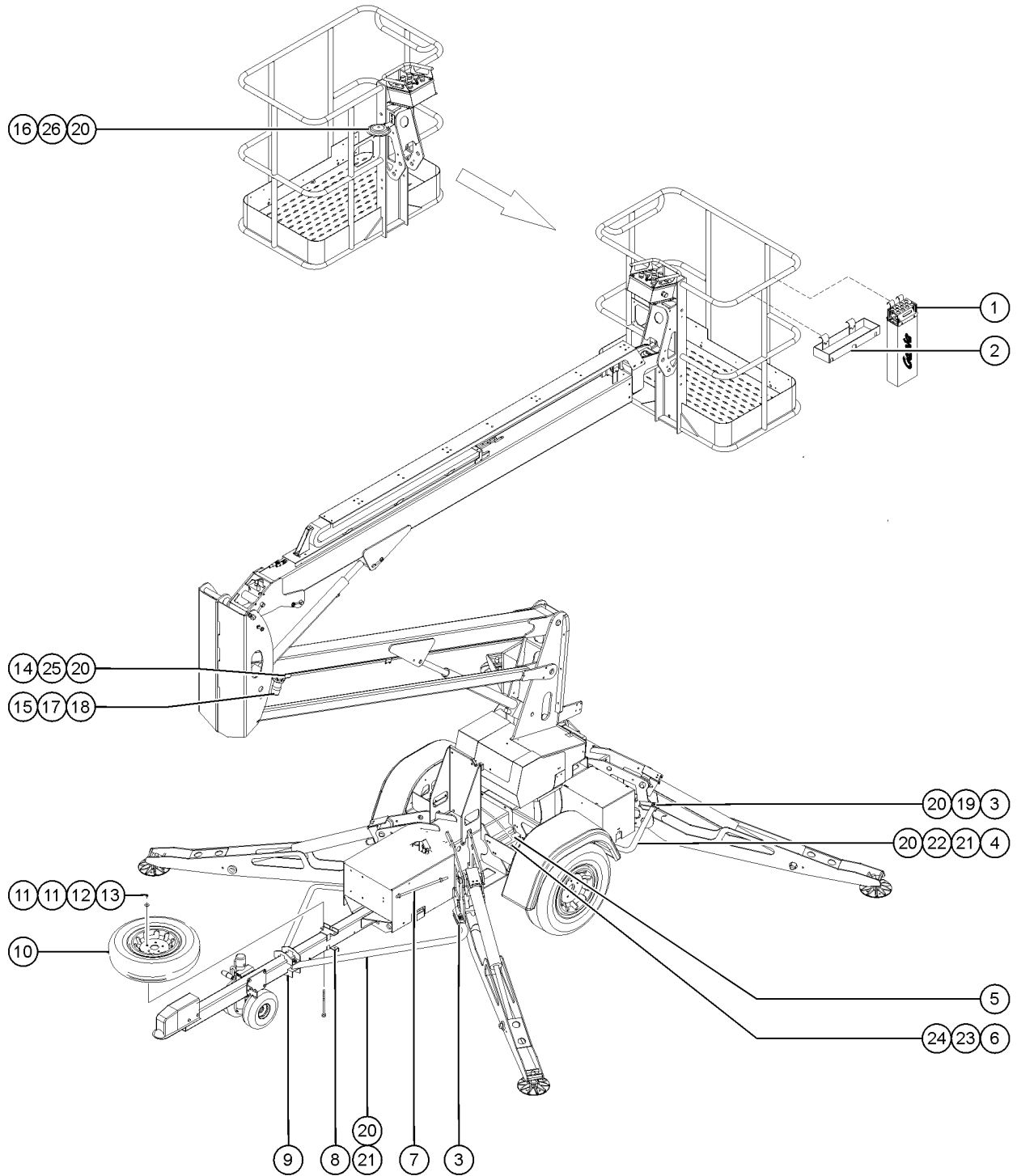


607.1 Hydraulic Hoses and Fittings - Boom System

<i>Item</i>	<i>Part No.</i>	<i>Description</i>	<i>Qty.</i>
28	1253841GT	ASSEMBLY, HOSE, BRAKE MOTOR, LONG	1
28B	1304748GT	ASSEMBLY, HOSE, BRAKE MOTOR, LONG	1
29	1254646GT	ASSEMBLY, HOSE, BRAKE MOTOR, FRONT	1
29B	1304747GT	ASSEMBLY, HOSE, BRAKE MOTOR, FRONT	1
30	48912GT	CONN,520120-4-6***	2



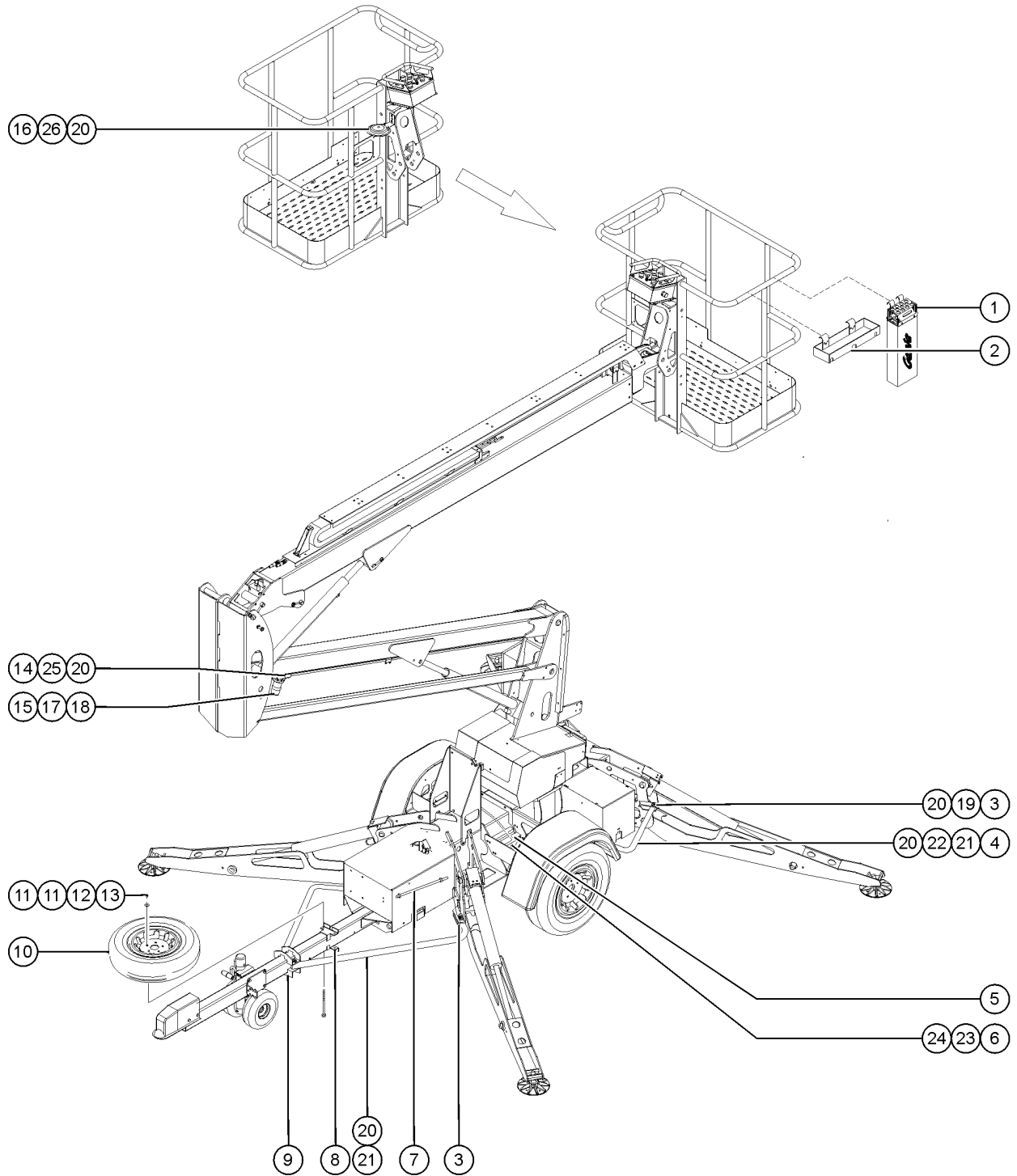
701.1 Accessories



Item	Part No.	Description	Qty.
A	104557GT	KIT,TZ34 BICYCLE GUARD includes items 3, 4 and 10	
B	99025-SGT	TZ34 LIGHT PACKAGE,US	
C	87771-SGT	KIT TZ34 SPARE TIRE,HYD. BRAKE	
D	99274-SGT	KIT TZ34-WHEEL CHOCK includes items 5 and 6	
1	38226GT	TUBE CADDY,AWP PLATFORM***	1
2	9599-SGT	TOOL TRAY ACCESSORY***	1
3	87913GT	FORMING, BICYCLE GUARD MOUNT	4
4	87912GT	TUBE, BICYCLE GUARD,REAR	1
5	99216GT	CHOCK,WHEEL,1750 LBS	2
6	88422GT	STRAP,RUBBER,30.00, W/S HOOKS	1
6	87312GT	HOOK-BATT HOLD DOWN 12"LG	2
7	46722GT	WRENCH, LUG,13/16	1
7-	46724GT	CLIP,LUG WRENCH HOLDR	
7-	16073GT	CLAMP,0.63,#10 X 1/4,RUB CUSH	
7-	39579GT	RIVET,STL,STL,.188 X .45	
7B	21618GT	CLAMP,1.13,#18 X 1/4,RUB CUSH	
7B	39579GT	RIVET,STL,STL,.188 X .45	
8	99023GT	KIT,SPARE TIRE MNT,HYD BREAK	1
9	87909GT	FORMING, BICYCLE GUARD CLAMP	2
10		Ref. Spare Tire Assembly (refer to 206.1)	
11	6034GT	NUT,HEX,JAM,1/2-13	
12	6033GT	WASHER,LOCK,0.5"	
13	99273GT	BOLT,CARRIAGE,1/2-13X11.0,G2	
14	87907GT	BRACKET, WARNING LIGHT	1
15	66909GT	STROBE,BEACON,W/OUT HARDWARE**	1
15-	58793GT	LIGHT,REPLACEMENT BULB (39676) for 66909	
16	81579GT	HORN, 24VDC, SPADE TERMINALS***	1
17	51865GT	SCREW,PHM,10-32 X .625, YELLOW	



701.1 Accessories

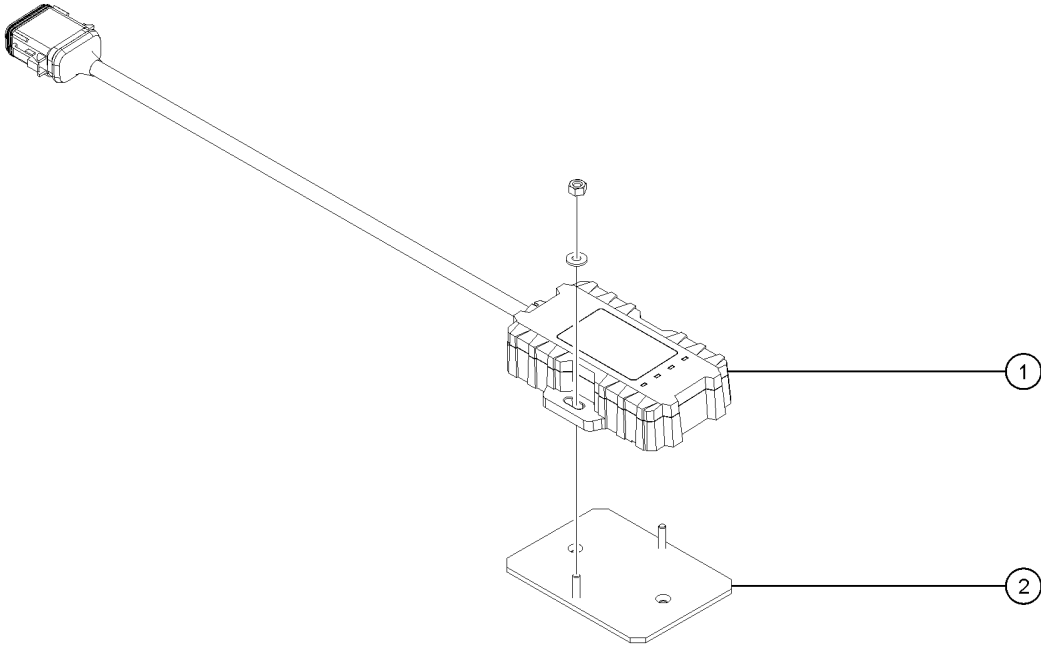


701.1 Accessories

<i>Item</i>	<i>Part No.</i>	<i>Description</i>	<i>Qty.</i>
18	6178GT	NUT, NYLOCK, 10-32	
19	64154GT	BOLT, CARRIAGE, 3/8-16 X 1.00, G5	
20	4828GT	NUT, NYLOCK, 3/8-16	
21	6708GT	SCREW,HHC,3/8-16 X 2.25	
22	32064GT	CLAMP,MUFFLER,1.75 INCH	2
23	6091GT	NUT,NYLOCK,1/4-20	
24	7265GT	RIVET,STEEL,P, .25 X .375	
25	9116GT	BOLT,CARRIAGE,1/4-20 X 1.25,G2	
26	6175GT	SCREW,HHC,3/8-16 X 1	



702.1 Telematics Option



702.1 Telematics Option

<i>Item</i>	<i>Part No.</i>	<i>Description</i>	<i>Qty.</i>
-	1292198GT	HARNESS, RETROFIT, M7 must order this Harness with one of the models 1289520GT, 1289521GT, 1289522GT, or 1289523GT	1
1	1289520GT	MODULE, TELEMATICS, ZTR, M7, NORTH AMERICA North America	1
1B	1289521GT	MODULE, TELEMATICS, ZTR, M7, EMEA/APAC EMEA/APAC	
1C	1289522GT	MODULE, TELEMATICS, ZTR, M7, APAC/ANZ APAC/ANZ	
1D	1289523GT	MODULE, TELEMATICS, ZTR, M7, JAPAN Japan	
2	1289561GT	BRACKET, TELEMATICS	1



<u>Part no.</u>	<u>Page Number</u>	<u>Part no.</u>	<u>Page Number</u>	<u>Part no.</u>	<u>Page Number</u>
T108055GT	127	17884GT	101	39474GT	83, 89, 91, 97
1268GT	11	18396GT	43	39579GT	77, 79, 135
1484GT	11	18666GT	21	39581GT	87, 95
4828GT	37, 41, 87, 91, 95, 137	19331GT	99	39882GT	117, 129
5365GT	63	19506GT	65, 69, 73	40434GT	13, 17
5387GT	93, 97	19843GT	89, 91, 97	40624GT	21
5397GT	41	21618GT	135	40712GT	113
6019GT	41, 97	21858GT	67, 71	40833GT	33
6024GT	29, 39	22036GT	99	41292GT	113
6033GT	135	22383GT	91, 95	41695GT	103
6034GT	135	23405GT	59, 67, 73, 103	41861GT	83
6086GT	101	23927-044GT	99	41862GT	75
6091GT	137	24514GT	83, 87, 91, 95	43456GT	51
6175GT	37, 87, 91, 95, 137	24647GT	27	43617GT	13
6178GT	87, 97, 113, 137	25969GT	45, 67, 71, 103, 105, 109		
6179GT	87, 97	27581GT	11	43956GT	85
6198GT	25	28161GT	13	44649GT	37
6356GT	95, 99, 117	28164GT	13	44653GT	21
6595GT	35			44662GT	79
6638GT	87, 91, 95, 99, 113	28175GT	13	44723GT	41
6708GT	137	28176GT	13	44743GT	87, 91, 95
7056GT	85	28177GT	13	44980GT	13, 17
7264GT	45, 51, 57	28181GT	13	45071GT	51, 77
7265GT	21, 37, 51, 55, 137	28235GT	13, 17	45383GT	83, 89, 113, 103, 107, 111
8910GT	45, 47	28236GT	13	45384GT	59, 67, 71, 103, 105, 109...
9116GT	77, 93, 97, 137	28373GT	13	45437GT	83
9599-SGT	135	28750GT	11, 119	45454GT	75
10107GT	117	28986-200GT	99	45840GT	65, 69, 73
10262GT	79	29883GT	39	46262GT	13
10777GT	85	31785GT	13	46436GT	83, 97
11276GT	99	32064GT	137	46440GT	35
11420GT	99	32150GT	11	46441GT	35
11803GT	63	32151GT	11	46716GT	41, 51
12344GT	63, 103	33994GT	11, 119	46722GT	135
13064GT	39	35831GT	99	46724GT	135
13585GT	85	36245GT	81	47186GT	29
13610GT	99	36373GT	59	48308GT	37
13612GT	99	36456GT	31	48309GT	37
13614GT	99	37052GT	13	48723GT	13
13854GT	25	38020GT	67, 71	48904GT	125, 131
15243GT	87, 113, 103, 107, 109...	38226GT	135	48905GT	129, 131
16073GT	37, 135	38600GT	31	48906GT	125, 131



<u>Part no.</u>	<u>Page Number</u>	<u>Part no.</u>	<u>Page Number</u>	<u>Part no.</u>	<u>Page Number</u>
48908GT	123, 125, 129, 131	62761GT	25	71874GT	63
48911GT	123, 129	62764GT	27	72032-SGT	25
48912GT	123, 129, 133	62765GT	29	72326GT	65
48916GT	131	62766GT	29	72832GT	13
49408GT	117	62769GT	25	72891GT	13, 17
49612GT	11	62770GT	25, 29	73713GT	87, 97
49613GT	11, 119	62772GT	25	73723GT	63, 69, 73, 109
49818GT	59	62773GT	25	74267GT	33
49819GT	59, 113	62817GT	125	74728GT	79
49820GT	63, 103	62864GT	25	74911GT	63
51474GT	91, 93	62866GT	25, 29	74913GT	63
51865GT	135	62870GT	25	74917GT	63
52255GT	37	62871GT	25	74918GT	63
52256GT	37	62872GT	25	75815GT	37
52257GT	37	62873GT	25	75816GT	37
52258GT	37	62874GT	25	75817GT	37
52259GT	39	62877GT	25	75866GT	25
52260GT	39	62879GT	25	75868GT	25
52263GT	37	64154GT	137	75869GT	25
52264GT	37	66397GT	33	75871GT	25
52265GT	37	66399GT	11	75872GT	25
52475GT	13, 17	66717GT	33	75873GT	25
54156GT	75	66778GT	83	75874GT	25
54380GT	33	66813GT	103	76061GT	123
55010GT	35	66814GT	61, 63	76069GT	123
55096GT	53	66815GT	59, 61, 63, 105, 111	76355GT	99
56302GT	59, 61, 71, 103, 105, 109	66816GT	59, 61, 63	76414GT	113
56912GT	51, 55	66817GT	59	76494GT	45
57075GT	83	66818GT	59	76596GT	131
57881GT	45, 51, 55	66909GT	135	76647GT	65, 69, 73
58430GT	117	67229GT	29	76682GT	31
58793GT	135	67230GT	29	76690GT	33
59582GT	21, 25, 29	67231GT	29	76695GT	55
59720GT	29	67304GT	25	76696GT	41
59752-SGT	29	67535GT	29	76700GT	33, 49
59753GT	29	67722GT	25, 99	78974GT	87, 95
60428GT	87, 97	67744GT	129	78976GT	83, 91
61974GT	87, 95	69167GT	99	79510GT	75
61975GT	87, 95	69510GT	53	79513GT	75
62147GT	39	69735GT	53, 55	79517GT	79
62707GT	13	69773GT	65, 67, 71, 105, 109	79530GT	75
62719GT	13, 17	71315GT	83, 89, 91, 93, 97	79540GT	75



<u>Part no.</u>	<u>Page Number</u>	<u>Part no.</u>	<u>Page Number</u>	<u>Part no.</u>	<u>Page Number</u>
79544GT	51	82560GT	17	84415GT	95
79547GT	55	82585GT	15, 17	84416GT	91
79560GT	79	82614GT	17	84425GT	119
79569GT	53, 55	82622GT	17	84427GT	115, 119
79570GT	77	82661GT	17	84428GT	115
79579GT	81	82663GT	15, 17	84431GT	117, 119, 121
79580GT	83	82666GT	17	84435GT	115
79585GT	79	82667GT	17	84436GT	117, 121
79586GT	77	82674GT	15	84592GT	11
79588GT	75	82675GT	17	84661GT	45
79589GT	77	83093GT	59	84703GT	45
79624GT	57	84313GT	47	84707GT	37
79625GT	55	84314GT	47	84709GT	39
79635GT	77	84315GT	47	84710GT	39
79637GT	77	84316GT	47	84711GT	39
79638GT	77	84317GT	47	84714GT	39
79640GT	79	84318GT	47	84715GT	39
79642GT	79	84320GT	47	84721GT	41
80236GT	39	84321GT	47	84722GT	41
80237GT	39	84333GT	119	85239GT	59
80238GT	39	84337GT	115	87073GT	75
80254GT	37	84338GT	115	87312GT	135
80257GT	37	84341GT	115	87377GT	37
81579GT	135	84342GT	115	87380GT	33
81599GT	75	84343GT	115	87381GT	33
82366GT	13	84344GT	115	87396GT	41
82409GT	13	84345GT	115	87408GT	21
82472GT	17	84346GT	115	87410GT	55
82475GT	17	84347GT	117	87430GT	45
82477GT	13	84348GT	117	87439GT	45
82478GT	13	84349GT	115	87441GT	31
82479GT	13	84350GT	115	87446GT	41
82481GT	17	84351GT	115	87451GT	41
82487GT	17	84353GT	115	87452GT	41
82491GT	15	84354GT	115	87456GT	115, 119
82492GT	15	84355GT	115	87468GT	45
82493GT	15, 17	84356GT	11, 115	87474GT	23
82505GT	15	84357GT	115	87530GT	87, 95
82506GT	15	84358GT	115	87620GT	83
82544GT	17	84376GT	11	87692GT	81
82548GT	17	84411GT	91	87721GT	55
82558GT	15	84413GT	89	87738GT	63, 67, 71

<u>Part no.</u>	<u>Page Number</u>	<u>Part no.</u>	<u>Page Number</u>	<u>Part no.</u>	<u>Page Number</u>
87749GT	63, 69, 73	97558GT	15, 17	99255GT	41
87750GT	63	97563GT	17	99273GT	135
87751GT	63	97564GT	17	99274-SGT	135
87752GT	63	97590GT	19	99285GT	49
87753GT	63	97762GT	15, 19	99295GT	83
87754GT	63	97768GT	15	99413GT	87, 95
87755GT	63, 69, 73	97770GT	19	99430GT	43
87761GT	33	97815GT	15, 19	99431GT	43
87763GT	21	99016GT	83, 89, 91, 93, 97	99858GT	33
87768GT	31	99023GT	135	99885GT	103, 105, 109
87771-SGT	135	99024GT	31	104005GT	55
87780GT	21	99025-SGT	135	104022GT	31
87816GT	51, 75	99030GT	23, 37	104091GT	61
87818GT	99	99031GT	37	104092GT	61
87819GT	99	99032GT	37	104101GT	69, 73
87820GT	91, 97	99049-SGT	95	104128GT	23
87838GT	91	99072GT	41	104144GT	77
87849GT	99	99084GT	63	104147GT	23
87862GT	99	99088GT	71, 111	104148GT	23
87868GT	79	99090GT	49	104160GT	21
87869GT	79	99125GT	101	104302GT	59
87907GT	135	99126GT	99	104327GT	103, 107, 111
87909GT	135	99128GT	93, 97	104347GT	113
87912GT	135	99129GT	93, 97	104348GT	113
87913GT	135	99130GT	99	104353GT	49
87926GT	87	99144GT	93, 97	104489GT	59
87936GT	131	99145GT	91, 95	104493GT	103, 105, 109
87969GT	113	99146GT	83, 91	104557GT	135
87994GT	99	99150GT	91, 97	104604GT	121
87995GT	99	99155GT	91, 95, 99	104607GT	75, 79
88422GT	135	99159GT	99	104651GT	119
88827GT	59	99160GT	99	104705GT	59
89293GT	37	99173GT	87, 95	104706GT	103, 105, 109
93500GT	11	99174GT	87, 95	104735GT	53
94643GT	87, 97	99181GT	87, 95	104741GT	79
96008-SGT	59, 67, 71	99182GT	87, 97	104744GT	51
97059GT	35	99183GT	87, 97	104791GT	49
97455GT	29	99194GT	87, 97	104798GT	119
97456GT	29	99207GT	61	104799GT	119
97457GT	29	99216GT	135	104800GT	119
97458GT	25	99232GT	55	104801GT	115, 119
97557GT	15, 17	99236GT	49	104804GT	51



<u>Part no.</u>	<u>Page Number</u>	<u>Part no.</u>	<u>Page Number</u>	<u>Part no.</u>	<u>Page Number</u>
105277GT	35	219216GT	115	1251922GT	55
105287GT	113	226320GT	59, 61, 63, 67, 69, 71...	1252006GT	55
105306GT	113	226322GT	59, 61, 71, 103, 105, 109	1252698GT	15
105307GT	113	227292GT	89	1253185GT	33, 103
105334GT	35	227293GT	95	1253840GT	125, 131
105412GT	115	228725GT	117	1253841GT	125, 133
105435GT	49	229630GT	79	1254257GT	125
105436GT	49	232526GT	47	1254646GT	125, 133
105437GT	49	236709GT	49	1254688GT	51
105472GT	49	823408GT	31	1255049GT	55, 125
105533GT	51	824024GT	81, 91, 95, 99, 113, 117	1255392GT	21
105604GT	53	824059GT	45, 67, 71, 81, 87, 91...	1255452GT	75
105739GT	35	824060GT	33, 81, 83, 87, 93, 95...	1255757GT	51, 55
106669GT	29	824067GT	81	1255758GT	21, 33, 81, 83
109803GT	61	824068GT	33, 83	1255760GT	21
109804GT	61, 69, 73	824078GT	51, 55, 79, 83	1255782GT	51
109850GT	81	824079GT	31, 57, 79	1255804GT	83
109857GT	79	824080GT	81	1256120GT	21
109859GT	41	824082GT	55	1256126GT	31
109860GT	41	824086GT	57	1256173GT	21
109898GT	41	824087GT	51	1256177GT	53
114171GT	15	824090GT	31, 79	1256182GT	55
115031GT	59	824091GT	33, 77, 83	1256463GT	79
124084GT	115	824092GT	41, 51, 55, 75, 79, 83	1256756GT	55
124100GT	115	824093GT	41	1256850GT	21
125650GT	37	824106GT	55	1256857GT	41
129082GT	113	824109GT	67, 71, 103, 105, 109	1256917GT	55
129083GT	113	824113GT	45, 61, 71, 81, 103, 105...	1257828GT	23
129100GT	79	824122GT	57	1258395GT	21
130742GT	131	824124GT	31	1258567GT	11
144180GT	35	824125GT	43, 45, 75	1258623GT	23, 51
160426GT	39	825019GT	41, 51, 55, 75, 79, 83	1259201GT	43
160741GT	39	825020GT	83, 87, 91, 95	1259963GT	15
162160GT	21	825101GT	51	1261459GT	117
215243GT	49	825118GT	51	1263140GT	15
215265GT	59	825163GT	55	1263142GT	21
216793GT	63	825166GT	51	1264372GT	35
217314GT	33	825186GT	55, 125	1264510GT	31
218055GT	31	825349GT	33	1264803GT	29
218056GT	51	825674GT	33	1268766GT	31
218057GT	51	1251757GT	103	1268960GT	21
218696GT	63, 69, 73, 103, 105, 109	1251921GT	53	1271081GT	31

<u>Part no.</u>	<u>Page Number</u>	<u>Part no.</u>	<u>Page Number</u>	<u>Part no.</u>	<u>Page Number</u>
1271708GT	103	1291624GT	15, 19	1304745GT	131
1274165GT	31, 79, 107, 111	1292198GT	139	1304746GT	131
1274166GT	21, 33, 45	1294952GT	21	1304747GT	133
1274167GT	51	1298571GT	127	1304748GT	133
1274168GT	53, 103	1298572GT	79, 127	1304749GT	131
1274170GT	43	1298573GT	79, 127	1304750GT	131
1274172GT	21, 51, 83	1298574GT	81, 127	1304751GT	131
1274174GT	21, 31	1298575GT	127	1304752GT	131
1274177GT	41	1298576GT	81, 127	1305079GT	31
1274320GT	21	1298933GT	11	1305080GT	33
1274321GT	33	1300211GT	125	1310378GT	85
1274322GT	31, 41, 51, 55, 75, 79...	1300212GT	125	1310391GT	23
1274353GT	67, 71	1301145GT	67, 71	1310769GT	43
1274938GT	103	1301146GT	105, 109	1311114GT	31
1274939GT	103	1302621GT	127	1316841GT	119, 121
1274940GT	103	1302622GT	79, 127	1322206GT	53
1275647GT	67, 71	1302623GT	79, 127	T106329GT	37
1275924GT	103, 105, 109	1302624GT	81, 127	T106330GT	37
1277193GT	21	1302625GT	127	T108054GT	127
1277226GT	59	1302626GT	81, 127	T108056GT	127
1277780GT	35	1303732GT	131	T108057GT	127
1277924GT	55, 77, 81, 83	1303733GT	131	T108058GT	127
1279831GT	39	1304368GT	65	T108059GT	127
1283007GT	31	1304723GT	129	T108067GT	127
1283776GT	11	1304724GT	129	T108068GT	127
1283802GT	103	1304725GT	129	T108069GT	127
1284765GT	21	1304726GT	129	T108070GT	127
1286186GT	109	1304727GT	129	T108071GT	127
1287090GT	105	1304728GT	129	T108072GT	127
1287091GT	109	1304729GT	129		
1287093GT	67	1304730GT	129		
1287094GT	71	1304731GT	131		
1287143GT	67, 71	1304734GT	131		
1287144GT	67, 71, 105, 109	1304735GT	131		
1289520GT	31, 139	1304736GT	131		
1289521GT	139	1304737GT	131		
1289522GT	139	1304738GT	131		
1289523GT	139	1304739GT	131		
1289557GT	105, 109	1304740GT	131		
1289561GT	31, 139	1304741GT	131		
1289867GT	67, 71	1304743GT	131		
1289869GT	105, 109	1304744GT	131		

California Proposition 65

 **WARNING**

Operating, servicing and maintaining this equipment, passenger vehicle or off-highway motor vehicle can expose you to chemicals including engine exhaust, carbon monoxide, phthalates, and lead, which are known to the State of California to cause cancer and birth defects or other reproductive harm. These chemicals can be emitted from or contained in other various parts and systems, fluids and some component wear by-products. To minimize exposure, avoid breathing exhaust, do not idle the engine except as necessary, service your equipment and vehicle in a well-ventilated area and wear gloves or wash your hands frequently when servicing your equipment or vehicle and after operation. For more information go to www.P65Warnings.ca.gov/passenger-vehicle.

Breathing diesel engine exhaust exposes you to chemicals known to the State of California to cause cancer and birth defects or other reproductive harm.

- Always start and operate the engine in a well-ventilated area.
- If in an enclosed area, vent the exhaust to the outside.
- Do not modify or tamper with the exhaust system.
- Do not idle the engine except as necessary.

For more information go to www.P65warnings.ca.gov/diesel.

www.genielift.com

Distributed By: