



A TEREX BRAND

Parts Manual

Serial Number Range

TZ-50/30

from SN TZ50F-5000

Part No. 1325847GT
Rev: A
May 2024

Technical Publications

Genie has endeavored to deliver the highest degree of accuracy possible. However, continuous improvement of our products is a Genie policy. Therefore, product specifications are subject to change without notice.

Readers are encouraged to notify Genie of errors and send in suggestions for improvement. All communications will be carefully considered for future printings of this and all other manuals.

Contact Us:

Internet: www.genielift.com
e-mail: awp.techpub@terex.com

Find a Manual for this Model

Go to <http://www.genielift.com>

Use the links to locate Operator's, Parts, Maintenance, and Service and Repair Manuals.

Copyright © 2011 by Terex Corporation
1325847GT Rev A May 2024
First Edition, First Printing

"Genie" and "TZ" are registered trademarks of Terex USA, LLC in the USA and many other countries.

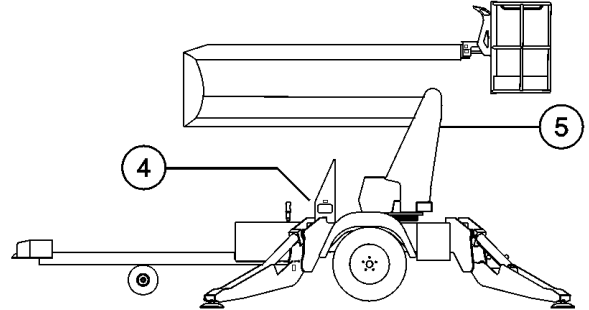
 Printed on recycled paper

Genie
A TEREX BRAND

Model:
Serial number: TZ50F-12345
Year of manufacture: 2016
Electrical schematic number:
Machine unladen weight:
Rated work load (including occupants):
Maximum number of platform occupants:
Maximum allowable side force:
Maximum allowable inclination of the chassis:

TZ50 F - 12345

- 1
- 2
- 3



- 1 Model**
- 2 Facility code**
- 3 Sequence number**

- 4 Serial number (stamped on chassis)**
- 5 Serial label**

How to Order Parts

Please be prepared with the following information when ordering replacement parts for your Terex or Genie product.

- Machine model number
- Machine serial number
- Part number
- Part description and quantity
- Purchase order number
- "Ship to" address
- Desired method of shipment
- Name and telephone number of the authorized distributor in your area

Use the Service Parts Fax Order Form on the next page and fax your order to our Parts Department.

If you don't know the name of your authorized distributor, or if your area is not currently serviced by an authorized distributor, please call Terex or Genie Industries.

Machine Information

Model

Serial Number

Date of Purchase

Authorized Genie Distributor

Phone Number

North America

Telephone (425)881-1800

Toll Free (800)536-1800 in US and Canada

Fax (425)556-8659

Toll Free fax (888)274-6192

Email AWP.PartsSalesPO@terex.com

<http://genielift.com/en>

EMEAR (Europe, Middle East, Africa and Russia)

Telephone (31)(165)519 313

Fax (31)(165)511 148

<http://genielift.co.uk>

Asia Pacific (Genie Singapore)

Telephone +65 6692 7777

Fax +65 6261 8893

<http://genielift.com.sg/>

Australia

Telephone (61)(7)3456 4444

Fax (61)(7)3456 4466

<http://genielift.com.au>

South America

Telephone (55)(11)4082 5600

Fax (55)(11)4082 5630

Required Parts

The following parts are required to perform maintenance procedures as outlined in the Genie TZ-50 Service Manual.

Recommended Parts

Description	Part No.
Genie Gray Paint, 12 Ounce Aerosol	1268
Genie Blue Paint, 12 Ounce Aerosol.....	1484
Genie Blue Paint, 1 Gallon.....	32150
Genie Gray Paint, 1 Gallon	32151
Plug and Cap Kit (for ORFS Fittings)	49613

Manuals

Genie Industries offers the following support documents for these models:

Title	Part No.
EMI Safety Manual	27581
Manual of Responsibilities ANSI A92.6-1990	97616
Dexter Axle Operation, Maintenance and Service Manual	84376

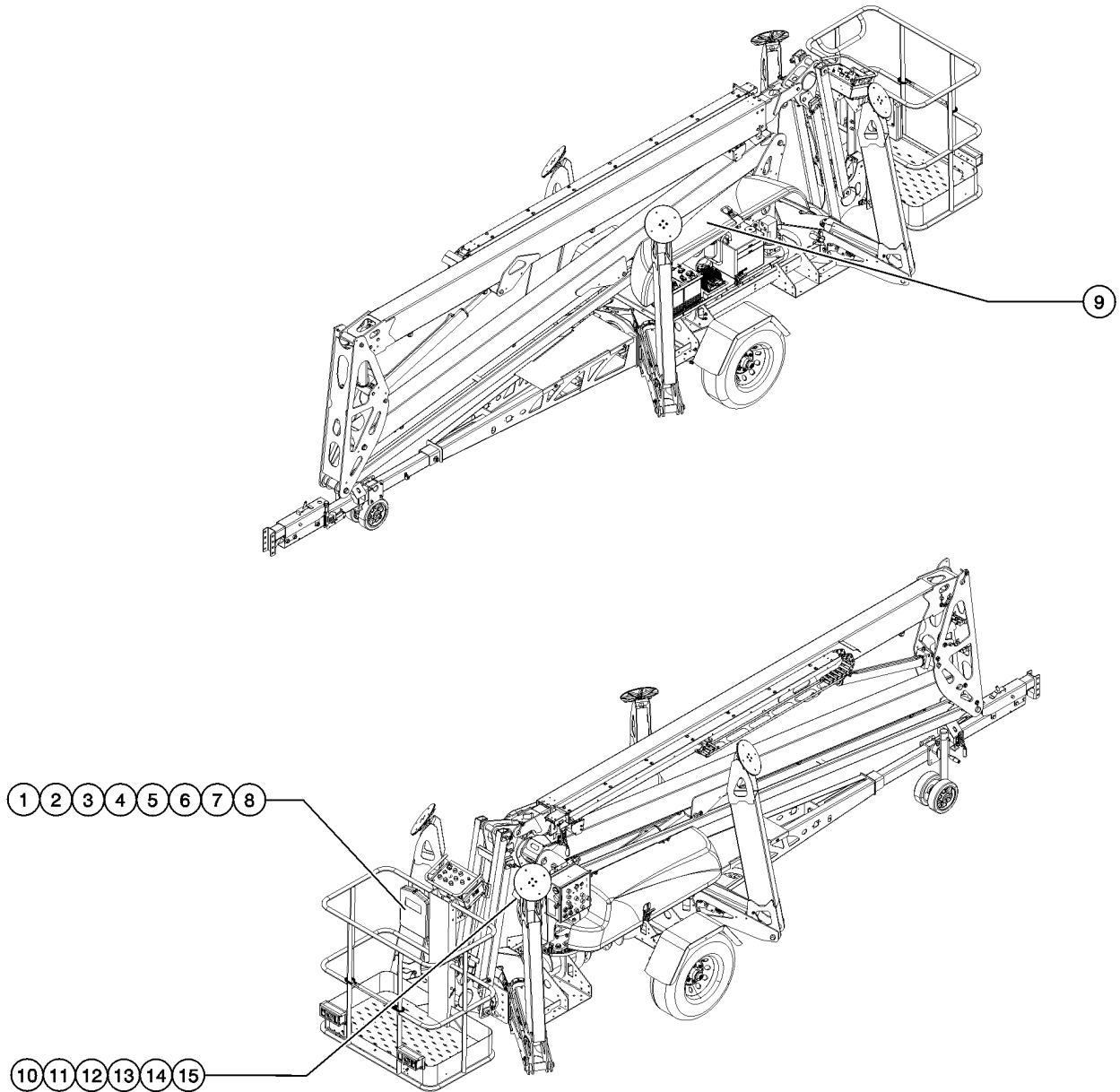
Description	Page
001 Parts Stocking List	10
001.1 Parts Stocking List	10
100 Decals	14
101.1 Decals with Words	14
102.1 Decals with Symbols	18
200 Chassis Components	22
201.1 Parking Brake - Models without Drive	22
202.1 Hitch Assembly - ANSI and CSA Models	28
203.1 Chassis Components - View 1	32
204.1 Chassis Components - View 2	36
205.1 Brake Components - ANSI and CSA Models	40
206.1 Power Wheel Assist	44
300 Turntable Components	48
301.1 Turntable Components	48
302.1 Engine Components - View 1	52
302.2 Engine Components - View 2	56
302.3 Engine Components - View 3	58
303.1 Battery Charger	62
304.1 Power Unit	64
305.1 Electrical Diagram and Power Cables	66
306.1 Electrical Diagram, Lights	68
307.1 Ground Controls	70
308.1 Ground Control Box - ANSI, CSA Models with no Load Sense	74
309.1 Ground Control Box - ANSI, CSA Models with Load Sense	78
310.1 Ground Control Box - ANSI, CSA Models with no Load Sense and Drive	82
311.1 Ground Control Box - ANSI, CSA Models with Load Sense and Drive	86
400 Lift Components	90
401.1 Lift Structure - View 1	90
402.1 Lift Structure - View 2	94
403.1 Cable Track	98
404.1 Drive Controls	100
500 Platform Components	104
501.1 Platform Installation - ANSI and CSA Models without Platform Overload Option	104
502.1 Platform Installation - ANSI and CSA Models with Platform Overload Option (models without platform rotator option)	108
503.1 Platform Rotate Installation - ANSI and CSA Models without Platform Overload Option	110

Table of Contents

Description	Page
504.1 Platform Controls - ANSI Standard	112
505.1 Platform Controls - ANSI Rotate	116
506.1 Platform Control Box	118
507.1 Platform Controls - ANSI, CSA Models with no Load Sense	120
508.1 Platform Controls - ANSI, CSA Models with Load Sense	124
600 Hydraulic Components	128
601.1 Function Manifold	128
602.1 Drive Manifold - Models with Drive Option	134
603.1 Jib and Platform Rotate Manifolds	138
604.1 Hydraulic Cylinders	142
605.1 Hydraulic Hoses and Fittings -Chassis - ANSI Models With Drive Manifold	146
606.1 Hydraulic Hoses and Fittings - Chassis - ANSI Models Without Drive Manifold	148
607.1 Hydraulic Hoses and Fittings - Boom System - ANSI Models With and Without Drive Manifold	150
700 Accessories	152
701.1 Accessories	152
702.1 Telematics Option	156
Part Number Index	158



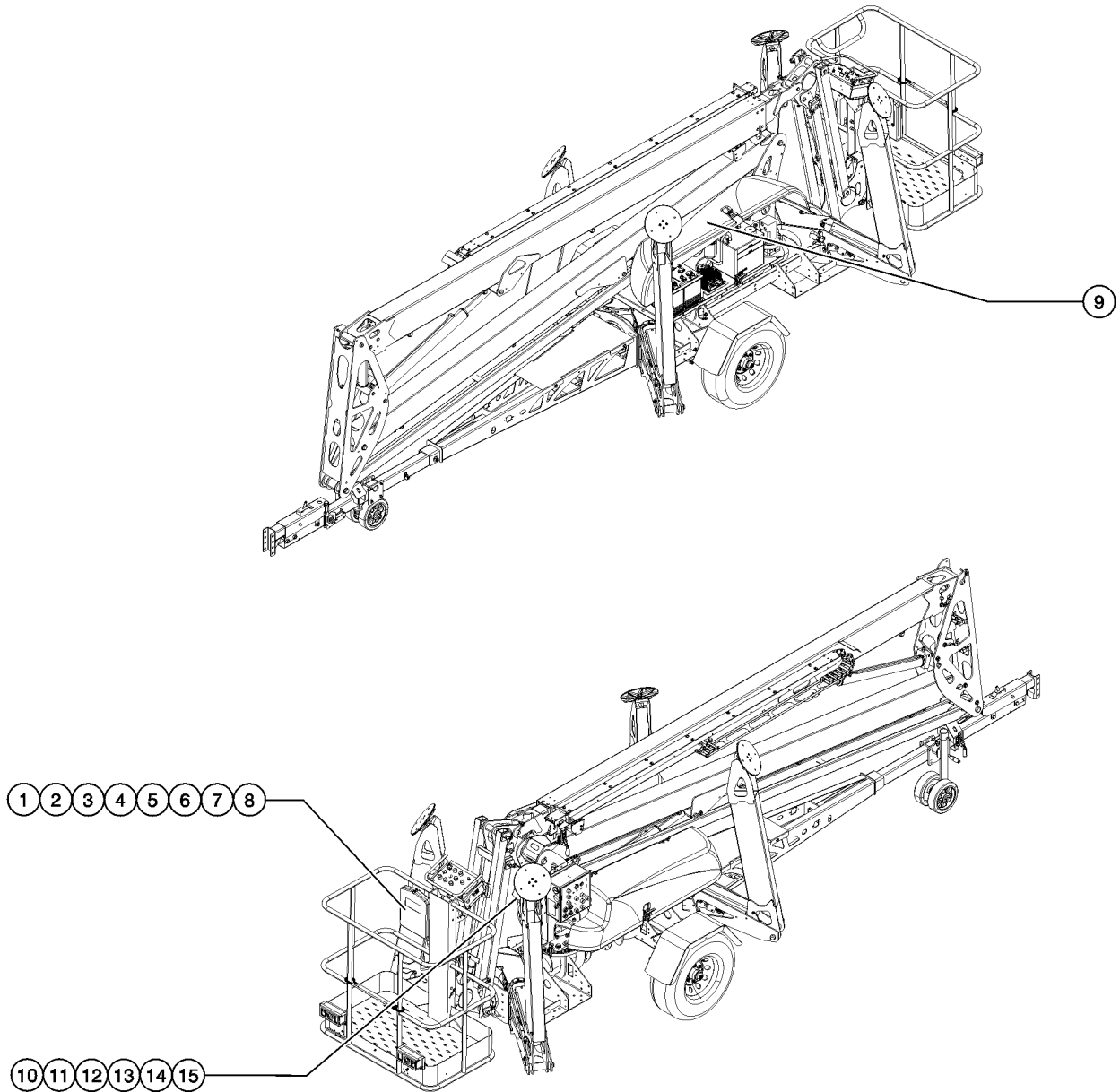
001.1 Parts Stocking List



Item	Part No.	Description	Qty.
A		— GENERAL SERVICE PARTS —	
A-	1484GT	PAINT, AEROSOL, BRIGHT BLUE*** 12-ounce spray paint	
A-	1268GT	PAINT, AEROSOL, GENIE GRAY*** 12-ounce spray paint	
A-	1258567GT	PAINT, AEROSOL, TRAFFIC BLACK 12-ounce spray paint	
A-	32150GT	PAINT, WET, GENIE BLUE (1 GL)** 1-gallon	
A-	32151GT	PAINT, WET, GENIE GRAY (1GL)** 1-gallon	
A-	66399GT	GREASE, DIELECTRIC 4 OZ**	
A-	1283776GT	SEAL MARKER,CROSS CHECK,BLUE,TUBE	
A-	93500GT	PARKER DIGITAL PRESSURE GAUGE	
A-	49612GT	O-RING KIT (ORFS FITTINGS) O-ring kit, ORFS	
A-	49613GT	PLUG AND CAP KIT-SERVICE,ORFS* Plug and cap kit, ORFS	
A-	28750GT	O-RING KIT,FIELD SVC,ALL PROD* O-ring kit, SAE	
A-	33994GT	PLUG AND CAP KIT-SERVICE,37?*** Plug and cap kit, SAE	
A-	84966GT	FUSE, 5A	
A-	55726GT	FUSE,50 AMP	
		— MANUALS —	
1	27581GT	MANUAL, SAFTY MANNAL	
2-	1298933GT	MANUAL, SAIA MANUAL OF RESPONSIBILITIES, MEWP	
3-	84592GT	MANUAL,OWNER,DEMCO 91 HITCH	
4-	84376GT	MANUAL,DEXTER AXLE AND BRAKE	
5-	84443GT	KNOTT AXLE,SERVICE MANUAL	
6-	97228GT	MANUAL,OWNERS,HONDA GX160	
7-	97229GT	MANUAL,SHOP,HONDA GX160	
8-	97230GT	MANUAL,PARTS,HONDA GX160	
		— FILTERS —	
9	44788GT	FILTER ELEMENT-10MICRON, PAPER*	



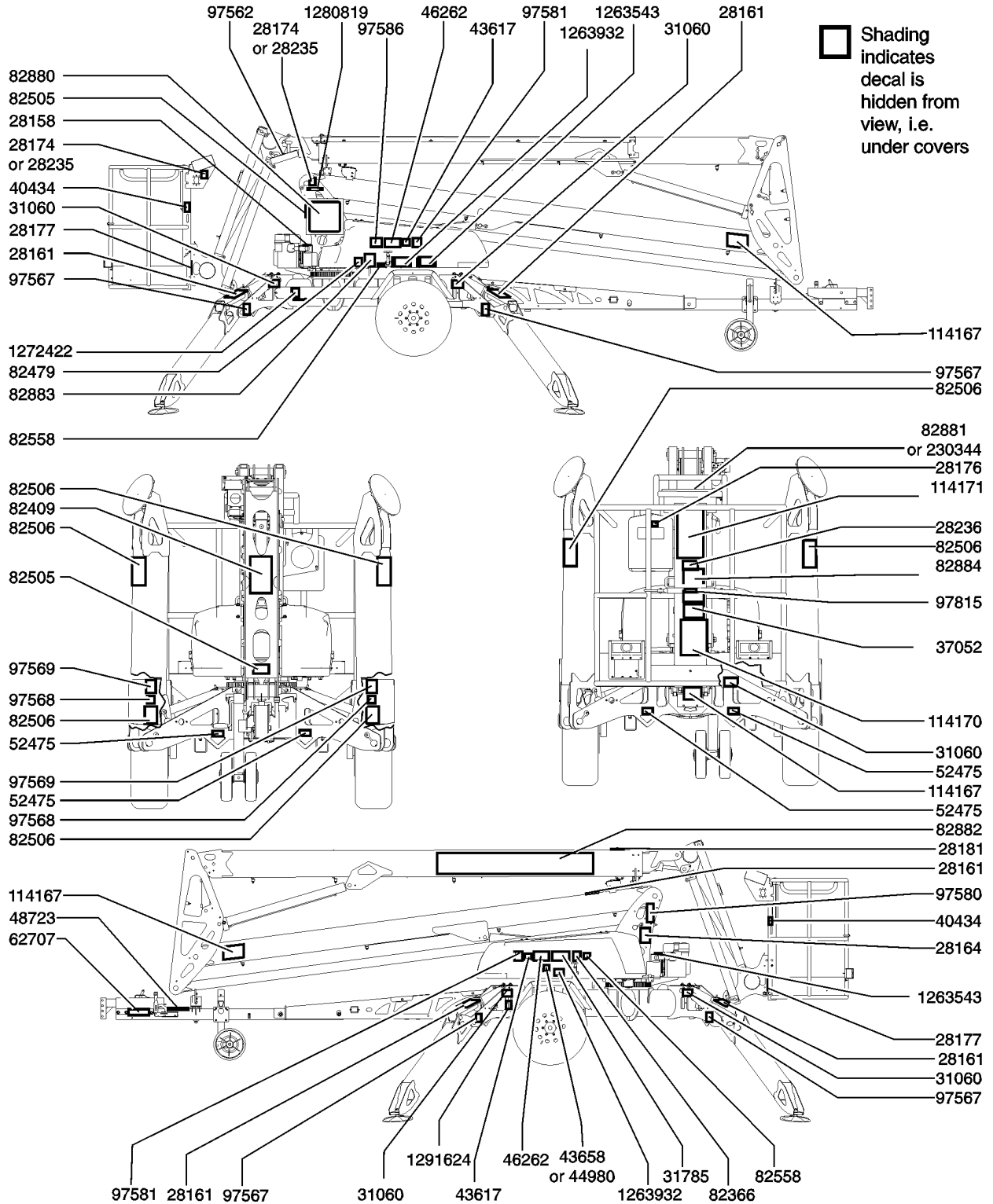
001.1 Parts Stocking List



<i>Item</i>	<i>Part No.</i>	<i>Description</i>	<i>Qty.</i>
		
		— ENGINE —	
10	1306288GT	ENGINE, 5.8 HP, HONDA, GX200	
11	84660GT	SPARK PLUG,TZ-50	
12	84901GT	SPARK PLUG	
13	84892GT	AIR CLEANER ELEMENT	
14	84893GT	FILTER	
15	104815GT	BELT,3VX-250***	



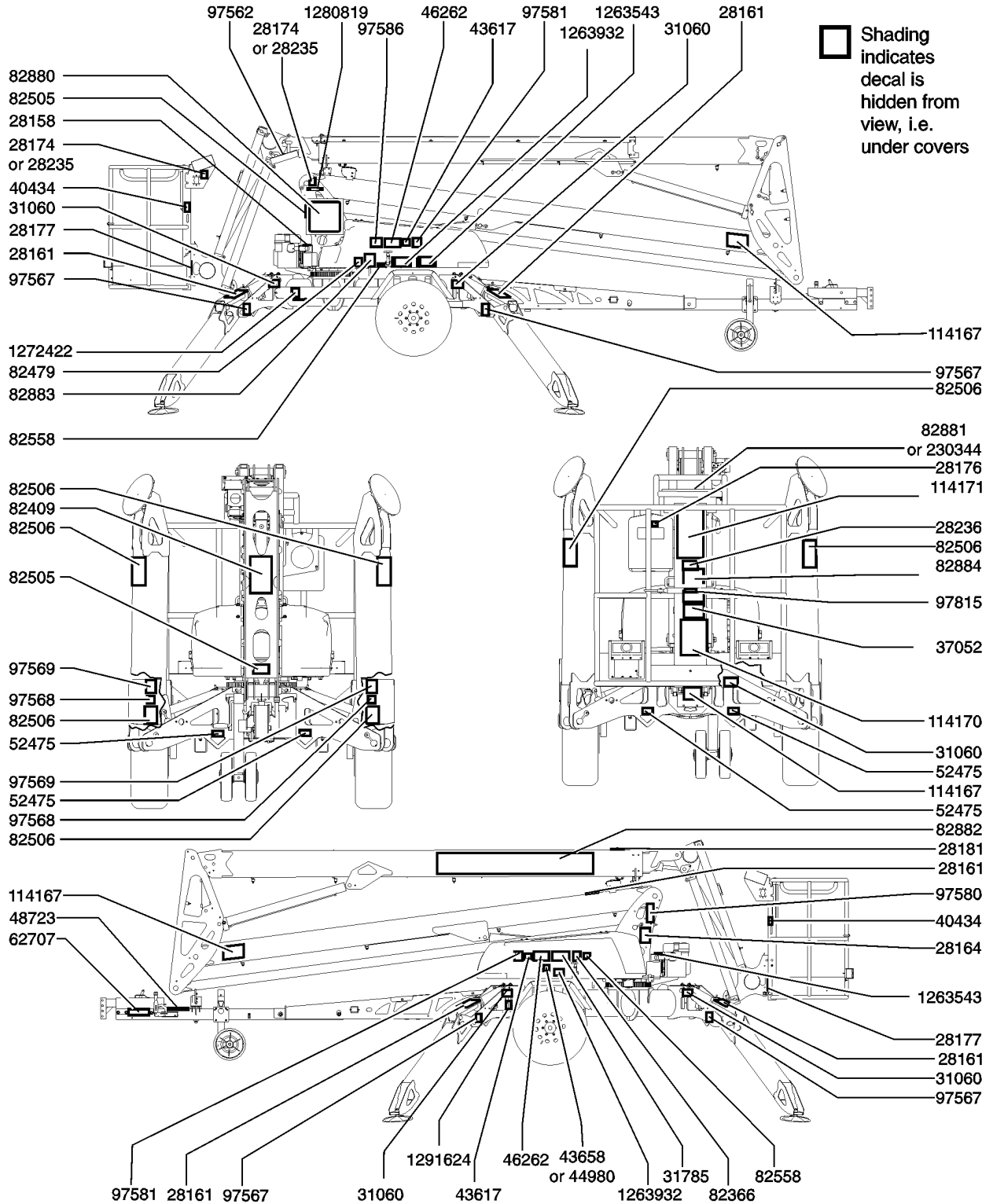
101.1 Decals with Words



Item	Part No.	Description	Qty.
1	28158GT	DECAL,LABEL,UNLEADED GAS ONLY	1
2	28161GT	DECAL,WARN,CRUSH HAZARD HAND	5
3	28164GT	DECAL,NOTICE,HAZARDOUS MAT'LS*	1
4	28174GT	DECAL,POWER TO PLATFORM 230V	2
5	28176GT	DECAL,LABEL,MANUAL NOT HERE	1
6	28177GT	DECAL,WARN,CRUSH HAZARD PLAT	2
7	28181GT	DECAL,WARN,FALL HAZARD	1
8	28235GT	DECAL,POWER TO PLATFORM 115V	2
9	28236GT	DECAL,WARN,IMPROPER OPERATION	1
10	31060GT	DECAL,DANGER DO NOT ALTER SWTC	5
11	31785GT	DECAL,NOTICE,CHARGER INSTRUC	1
12	37052GT	DECAL,NOTICE,MAX LOAD 500 LBS	1
13	40434GT	DECAL,LANYARD ANCHORAGE POINT	2
14	43617GT	DECAL,DANGER,TIP-OVER,BATTERY	2
15	43658GT	DECAL, LABEL, PWR TO CHARGER 230 EU	1
16	44980GT	DECAL, LABEL, PWR TO CHARGER 115 UK	1
17	46262GT	DECAL,DANGER,BATTERY SAFETY	2
18	48723GT	DECAL,LABEL,PARKING BRAKE,ANSI	1
19	52475GT	DECAL,LABEL,TRANSPORT TIEDOWN*	4
20	62707GT	DECAL,WARNING,MAX TOWING SPEED	1
21	82366GT	DECAL,CHEVRON RANDO HD	1
22	82409GT	DECAL,WARNING,TRANSPORT INST	1
23	82479GT	DECAL,DANGER,GENERAL SAFETY	1
24	82505GT	DECAL,DANGER,CRUSHING HAZARD	2
25	82506GT	DECAL,WARNING-FOOT CRUSHING	6
26	82558GT	DECAL,SKIN INJECTION	2
27	82880GT	DECAL,GROUND CONTL PANEL,TZ50	1
28	82881GT	DECAL,PLAT CNTRL PANEL,TZ50	1



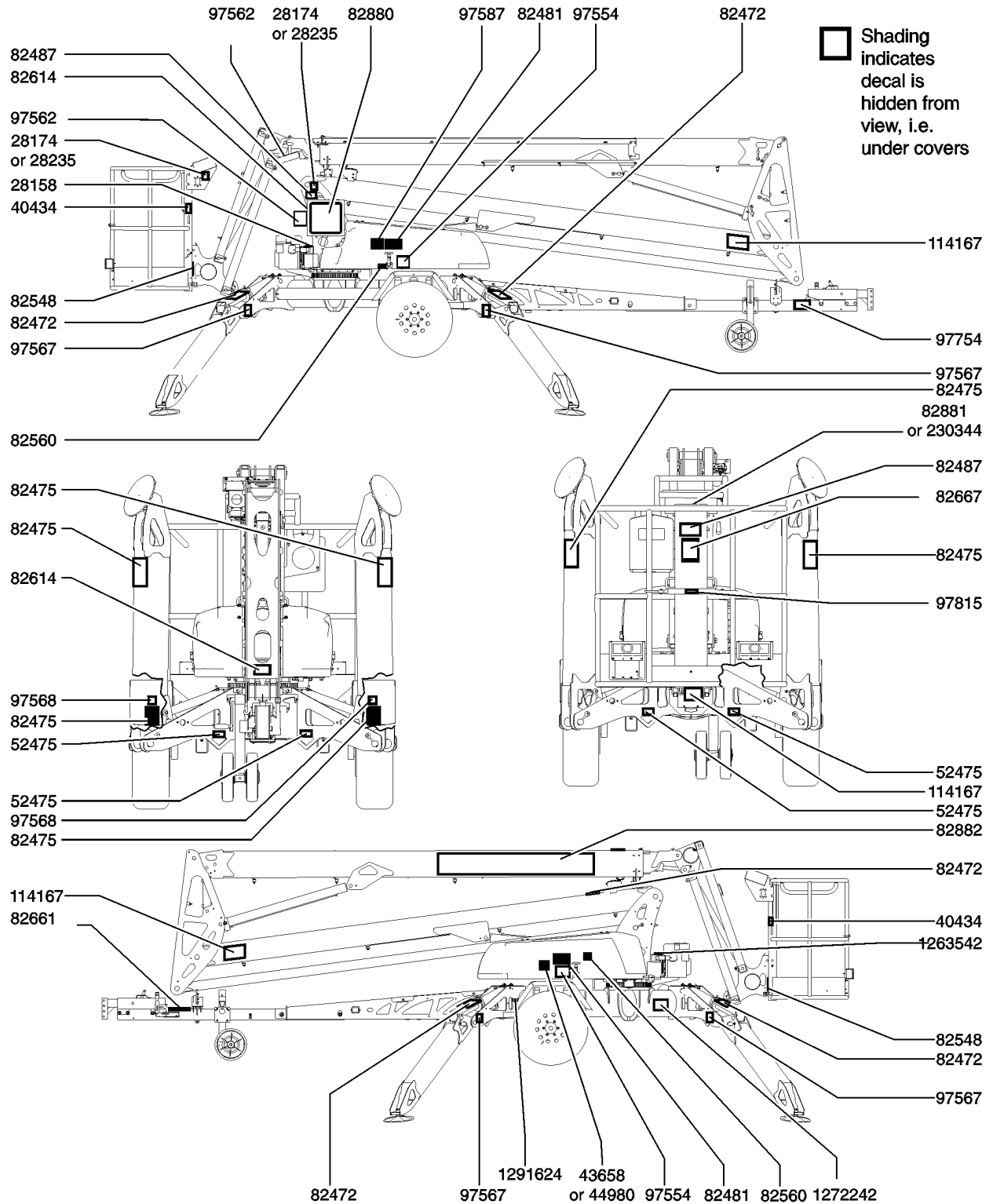
101.1 Decals with Words



<i>Item</i>	<i>Part No.</i>	<i>Description</i>	<i>Qty.</i>
29	82882GT	DECAL,COSMETIC,TZ-50	1
30	82883GT	DECAL,NOTICE,OPER INSTR,GROUND	1
31	82884GT	DECAL,NOTICE,OPER INST,PLATFOR	1
32	97562GT	DECAL,DRIVE CONTROL PANEL,TZ50	1
33	97567GT	DECAL,LABEL,OUTRIGGER LOADTZ50	4
34	97568GT	97569,LABEL,WHEEL LOAD,TZ50	2
35	97569GT	.ECAL,NOTICE,TIRE SPECS,TZ50	2
36	97580GT	DECAL,NOTICE,ENGINE SPEC,TZ50	1
37	97581GT	DECAL,NOTICE,BATTERY CONN,TZ50	2
38	97586GT	DECAL,NOTICE,MANUAL OPER,TZ50	1
39	97815GT	DECAL,LABEL,LOWER MIDRAIL	1
40	114167GT	DECAL,LABEL,TRANSPORT DIAGRAM	3
41	114170GT	DECAL,WARNING,DRIVE SYSTEM	1
42	114171GT	DANGER DECAL	1
43	230344GT	DECAL,PLAT CNTRL PANEL,TZ50	1
44	1263543GT	DECAL,COMPARTMENT ACCESS	1
45	1263932GT	DECAL,DANGER,ELEC.HAZ.,PLASTIC COVER	2
46	1272242GT	DECAL,MACHINE REGISTRATION/OWN	1
47	1280819GT	DECAL,WARNING,CANCER AND REPRODUCTIVE HARM, PROP 65	1
48	1291624GT	DECAL COSM,GENIE LIFT CONNECT,LEXAN COVER	1



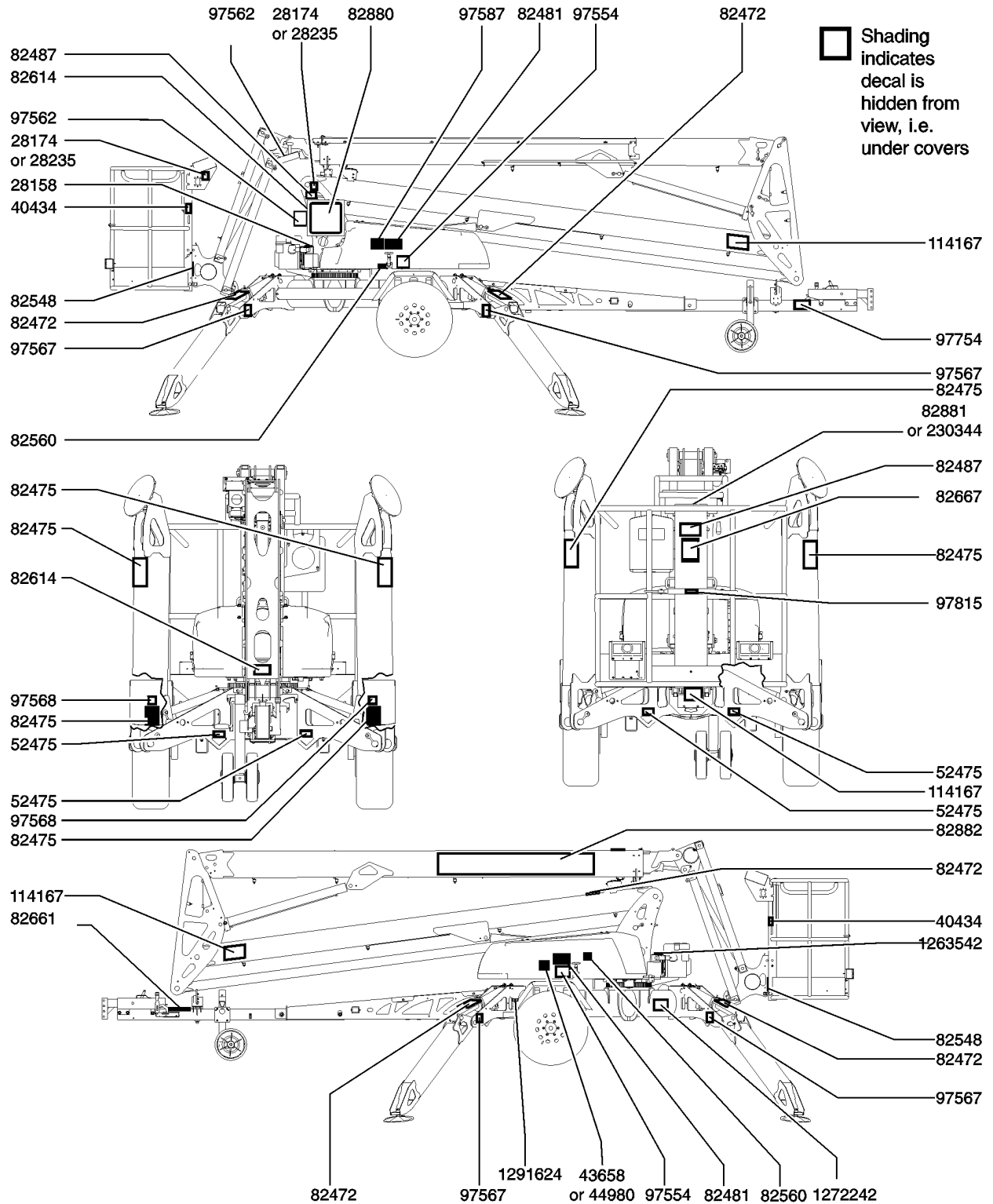
102.1 Decals with Symbols



Item	Part No.	Description	Qty.
1	28158GT	DECAL,LABEL,UNLEADED GAS ONLY	1
2	28174GT	DECAL,POWER TO PLATFORM 230V	2
3	28235GT	DECAL,POWER TO PLATFORM 115V	2
4	40434GT	DECAL,LANYARD ANCHORAGE POINT	2
5	43658GT	DECAL, LABEL, PWR TO CHARGER 230 EU	1
6	44980GT	DECAL, LABEL, PWR TO CHARGER 115 UK	1
7	52475GT	DECAL,LABEL,TRANSPORT TIEDOWN*	4
8	82472GT	DECAL,WARNING,CRUSHING HAZARD	5
9	82475GT	DECAL,WARNING,CRUSHING HAZARD	6
10	82481GT	DECAL,SYMBOL-BATTERY SAFETY	2
11	82487GT	DECAL,SYMBOL-READ THE MANUAL	2
12	82548GT	DECAL,WARN,CRUSH HAZARD PLAT	2
13	82560GT	DECAL,SYMBOL-SKIN INJECT HAZRD	2
14	82614GT	DECAL,DANGER,COLLISION HAZARD	2
15	82661GT	DECAL,LABEL,PARKING BRAKE,ANSI	1
16	82667GT	DECAL,DANGER,MAX CAP,227KG	1
17	82880GT	DECAL,GROUND CONTL PANEL,TZ50	1
18	82881GT	DECAL,PLAT CNTRL PANEL,TZ50	1
19	82882GT	DECAL,COSMETIC,TZ-50	1
20	97554GT	DECAL,DANGER,ELECTROCUTION HAZ	2
21	97562GT	DECAL,DRIVE CONTROL PANEL,TZ50	2
22	97567GT	DECAL,LABEL,OUTRIGGER LOADTZ50	4
23	97568GT	97569,LABEL,WHEEL LOAD,TZ50	2
24	97587GT	DECAL,NOTICE,MANUAL OPER,TZ50	1
25	97754GT	DECAL,LABEL,DRAWBAR CERT,TZ50	1
26	97815GT	DECAL,LABEL,LOWER MIDRAIL	1
27	114167GT	DECAL,LABEL,TRANSPORT DIAGRAM	3
28	230344GT	DECAL,PLAT CNTRL PANEL,TZ50	1



102.1 Decals with Symbols

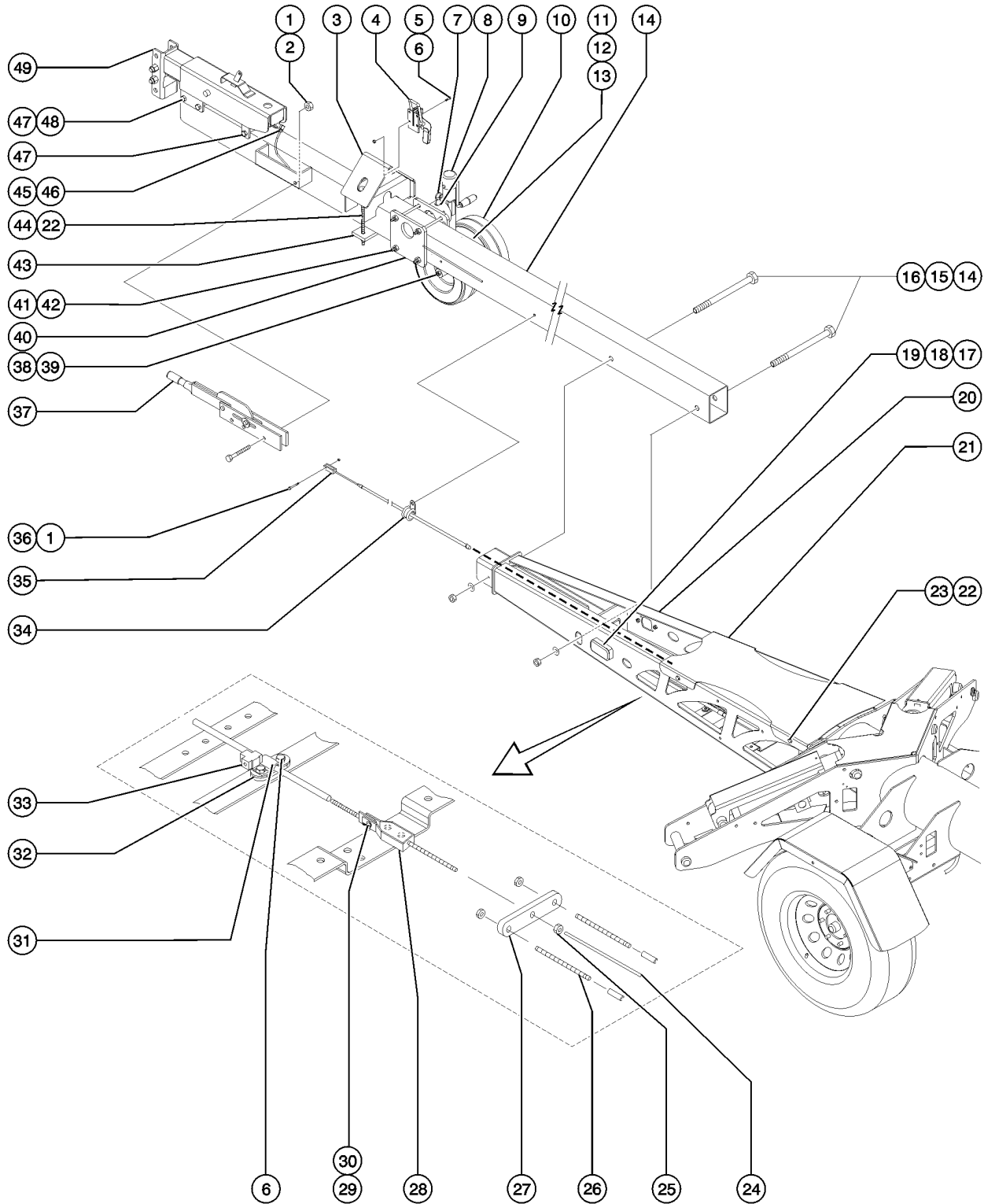


102.1 Decals with Symbols

<i>Item</i>	<i>Part No.</i>	<i>Description</i>	<i>Qty.</i>
29	1263542GT	DECAL, COMPARTMENT ACCESS	1
30	1272242GT	DECAL,MACHINE REGISTRATION/OWN	1
31	1291624GT	DECAL COSM,GENIE LIFT CONNECT,LEXAN COVER	1



201.1 Parking Brake - Models without Drive

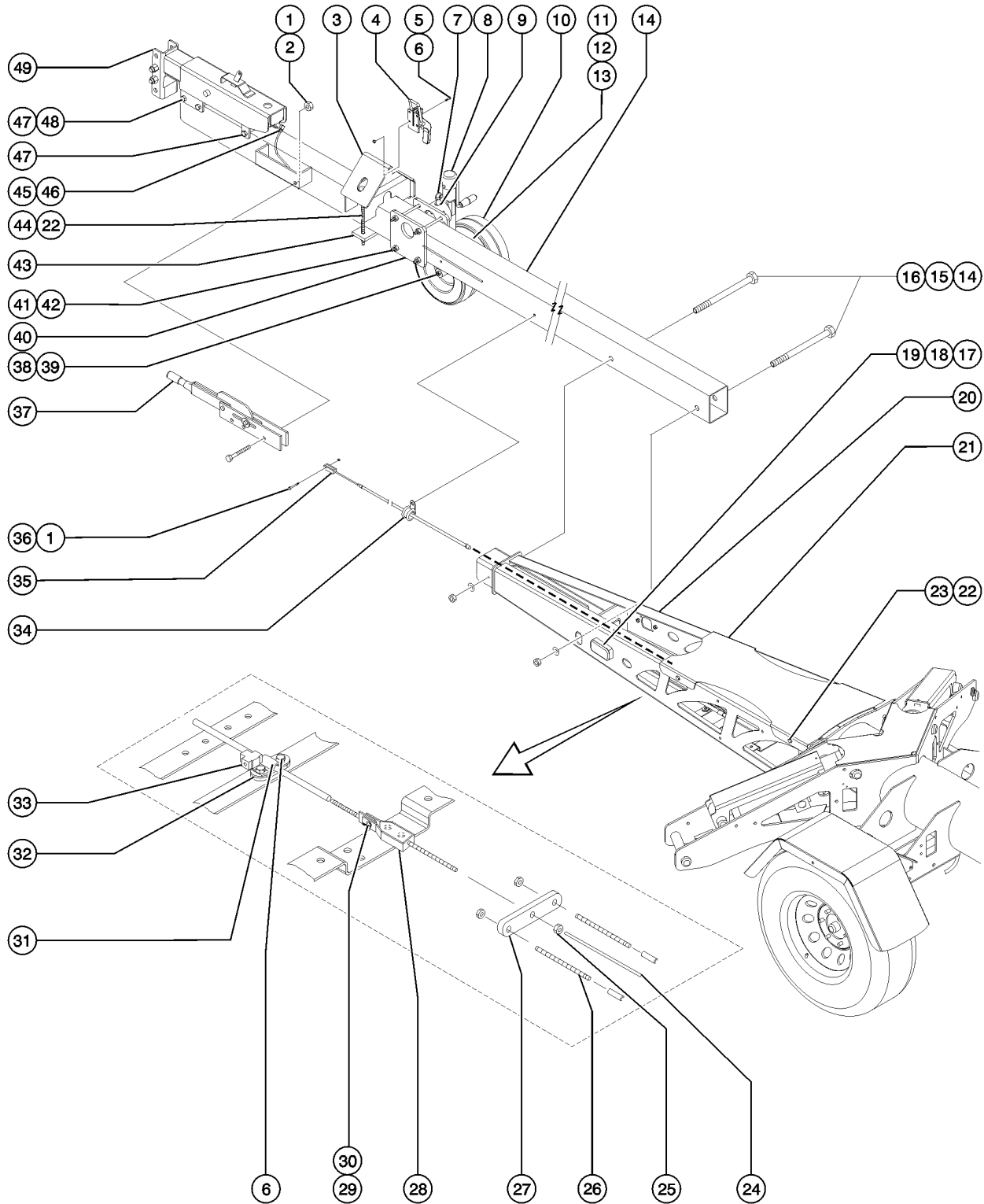


201.1 Parking Brake - Models without Drive

Item	Part No.	Description	Qty.
1	14723GT	SCREW,HHC,5/16-18 X 1.75	2
2	6782GT	NUT, NYLOCK, 5/16-18	2
3	99770GT	WELDMENT,MAST CRADLE	1
4	43456GT	CLAMP,TOGGLE,MAST HOLD DOWN	1
5	1274167GT	NUT,NYLOCK FLG,5/16-18,F,ZAG	4
6	824086GT	SCREW, HHC, 5/16-18 X 1, 8, ZAG	6
7	99246GT	PIN,LOCK,.625 W/LANYARD	1
8	1294952GT	SCREW JACK, TONGUE, TZ (ANSI and CSA models)	1
9	104160GT	WELDMENT,SCREW JACK MOUNT	1
10	104789GT	WHEEL ASSY,10.0 X 3.00 X 1.00	2
11	104225GT	WELDMENT,CASTER,TZ-50	1
12	1257464GT	SCREW,HHC,1/2-13X2.5,8,ZAG	1
13	1274172GT	NUT,NYLOCK FLG,1/2-13,G,ZAG	1
14	99584GT	WELDMENT,ANSI DRAW BAR	1
15	19705GT	SCREW,HHC,5/8-11 X 5.5	2
16	6024GT	NUT,NYLOCK,5/8-11	2
17	76709GT	SIDE MARKER SUB ASSEMBLY ANSI models	
17A-	65206GT	LENS,SIDE LIGHT,AMBER	
17A-	65231GT	BULB,SIDE LIGHT ASSY,14V(52135	
17B	76602GT	LIGHT,SIDEMARKER ECE***	
17B-	72108GT	BULB,12V DC (67875)	
18	54830GT	SCREW,BHSC,1/4-20 X .88,Y/ZINC	1
19	18605GT	NUT,NYLOCK,8-32	1
20	99563GT	WELDMENT,DRAW BAR MOUNT,TZ50	1
21	99577GT	FORMING,TONGUE BOX COVER	1
22	824067GT	SCREW, HHC, 3/8-16 X 1, 8, ZAG	4
23	1274322GT	NUT,NYLOCK FLG,3/8-16,F,ZAG	6
24	1268937GT	ROD,THREADED,M8-1.25X355,10.9,ZAB	1



201.1 Parking Brake - Models without Drive

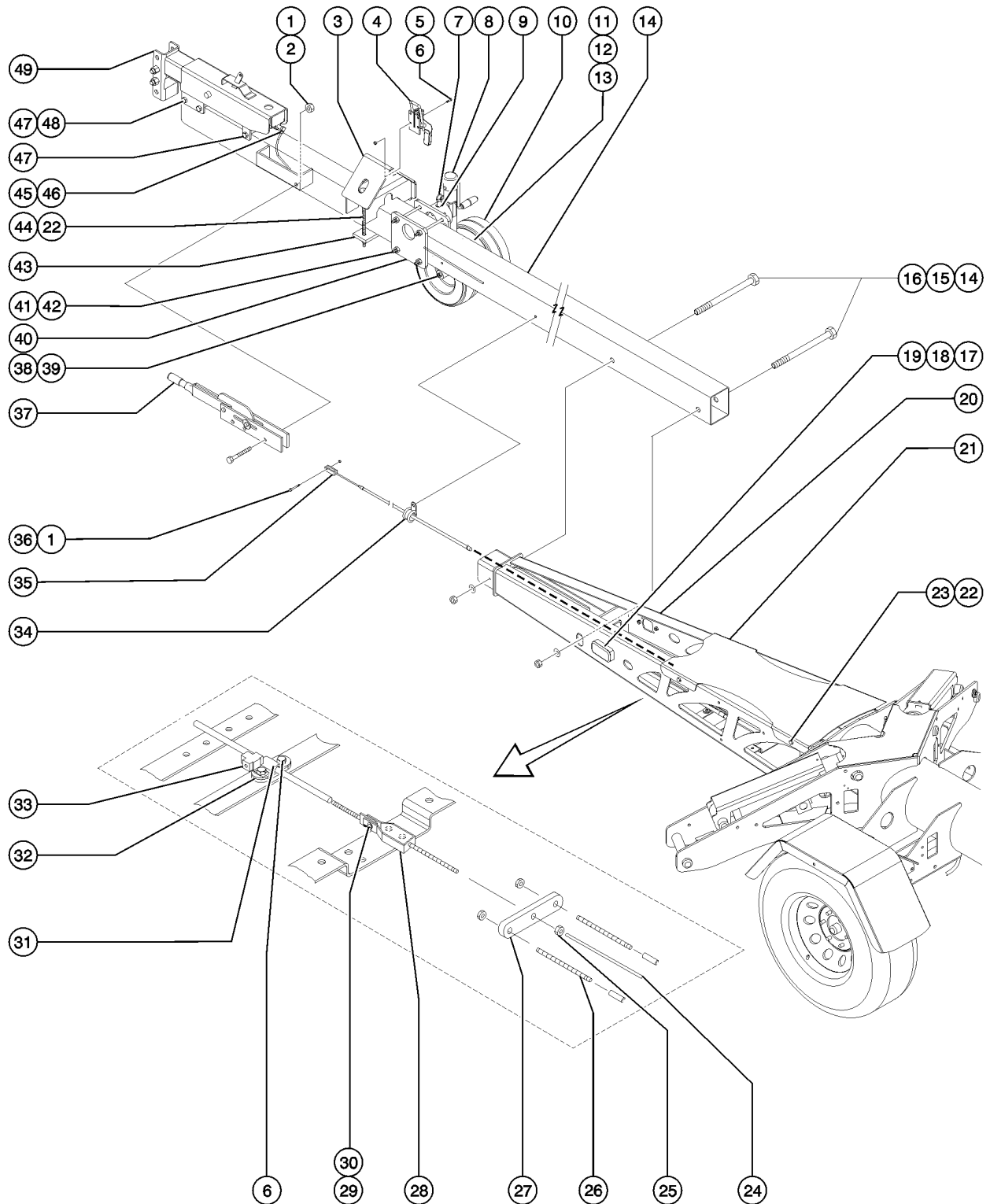


201.1 Parking Brake - Models without Drive

Item	Part No.	Description	Qty.
25	824149GT	NUT, M8-1.25, DIN934, 10, ZAB	1
26	99336GT	PRKG BRK CBL - CHASSIS (ANSI) includes item 25; ANSI and CSA models	2
27	99775GT	PLATE,BRAKE EQUALIZER	1
28	48218GT	THREADED ROD, M8 X 10" LG TMZ	1
28A-	22571GT	NUT,HEX,M8 X 1.25	
28A-	52185GT	LINK SPACER, PARKING BRAKE,TMZ	
28B	67908GT	THREADED ROD, M8 X 356MM TMZ ANSI and CSA models	
28B-	22571GT	NUT,HEX,M8 X 1.25	
28B-	52185GT	LINK SPACER, PARKING BRAKE,TMZ	
28C	76764GT	THREADED ROD,M8 X 1.25 X 16"	
28C-	22571GT	NUT,HEX,M8 X 1.25	
28C-	52185GT	LINK SPACER, PARKING BRAKE,TMZ	
29	13002GT	SCREW,HHC,5/16-18 X 1 GR5	1
30	67784GT	NUT,OPEN M8 X 1.25	1
31	52186GT	CABLE CLAMP,PARKING BRAKE, TMZ	1
32	52185GT	LINK SPACER, PARKING BRAKE,TMZ	1
33		Ref. Kit, Hydraulic Brake (refer to 205.1)	
34	13268GT	CLAMP,0.75,#12 X 1/4,RUB CUSH	1
35	52182GT	CLEVIS - PARKING BRAKE, TZ50	1
36	825674GT	SCREW, HHC, 5/16-18X2,8,ZAG	1
37	48104GT	BRAKE LEVER TMZ50	1
38	1257908GT	SCREW,HHC,3/4-10X11,8,ZAG	1
39	1274173GT	NUT,NYLOCK,3/4-10,C,ZAG	1
40	104226GT	PLATE,JACK MOUNT***	1
41	1256173GT	SCREW,HHC,3/8-16X4.5,8,ZAG	4
42	1274166GT	NUT,NYLOCK,3/8-16,C,ZAG	4
43	99771GT	PLATE,MAST CRADLE CLAMP	1
44	1268275GT	BOLT,CARRIAGE,3/8-16 X7,5,ZAG	2



201.1 Parking Brake - Models without Drive

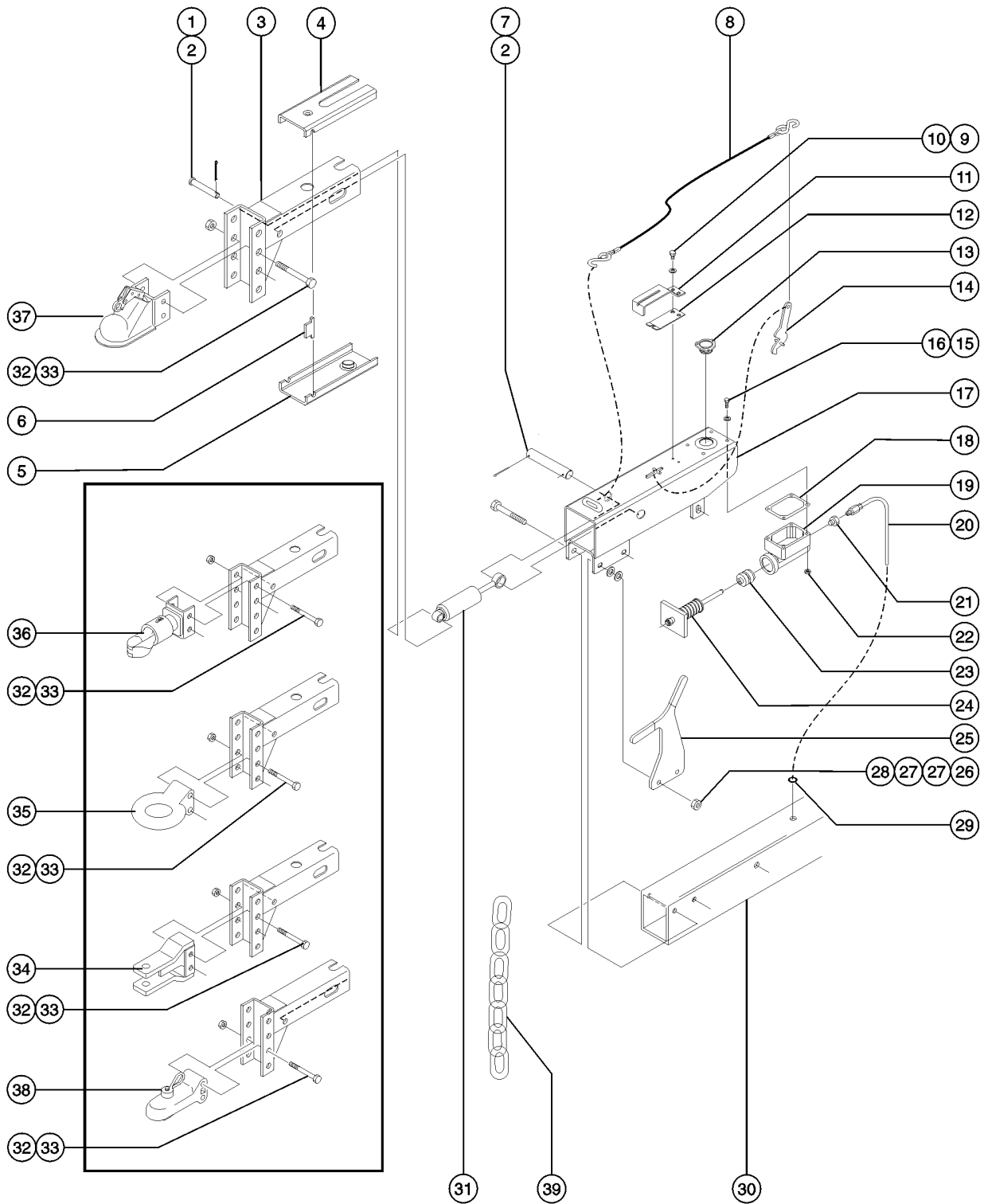


201.1 Parking Brake - Models without Drive

<i>Item</i>	<i>Part No.</i>	<i>Description</i>	<i>Qty.</i>
45	1310391GT	HYD FITTING, MALE 1/8 NPT-FEMALE 3/8-24 INVERTED FLARE	1
46	99382GT	KIT,BRAKE LINE,TZ50	1
47	53909GT	SCREW,HHC,5/8-11 X 4.0 GR8	3
48	6024GT	NUT,NYLOCK,5/8-11	3
49		Ref. HITCH ACTUATOR	
		(refer to 202.1	



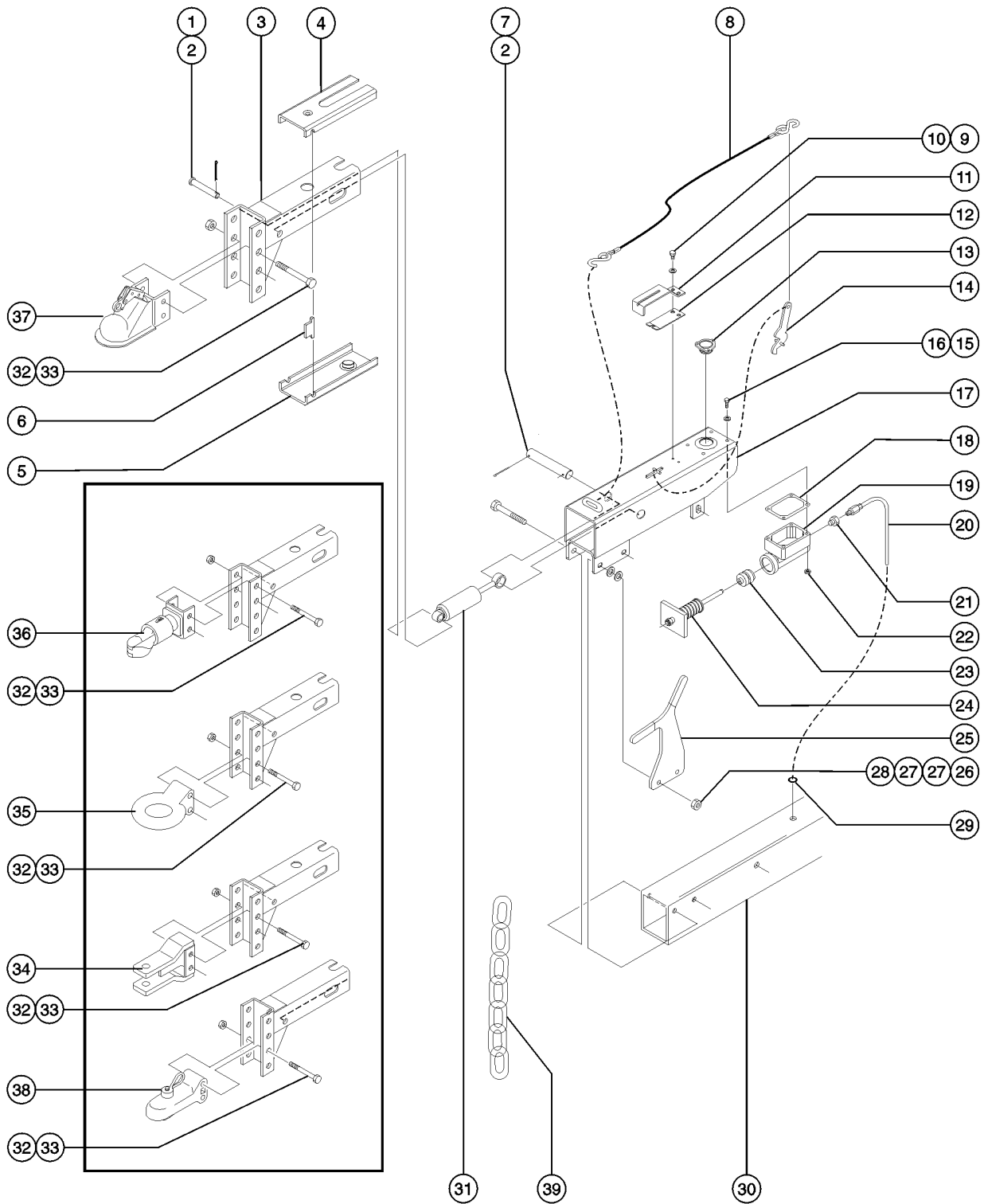
202.1 Hitch Assembly - ANSI and CSA Models



Item	Part No.	Description	Qty.
	59582GT	HITCH ACTUATOR, COMBO ** TMZ includes items 1 through 19, 21-24, and 31	
	62769GT	KIT,LEVER REPLACEMENT TMZ includes items 8, 12 and 14	
	62770GT	KIT,MASTER CYLINDER REPAIR TMZ	
	1264803GT	KIT, SURGE BRAKE LOCKOUT, DEMCO #5939 DEMCO DA91 LOCKOUT SERVICE KIT ; will replace items 1 and 2	
1	62765GT	PIN,FRONT SHOCK,HITCH ASSY TMZ	1
2	62866GT	PIN,COTTER,0.156 X 1.5 TMZ50	
3	62766GT	CHANNEL,CLEVIS,HITCH ASSY TMZ	1
4	97455GT	SLIDER, UPPER	1
5	97456GT	SLIDER, LOWER	1
6	97457GT	SPACER, SIDE	2
7	75866GT	PIN, CONNECTING	1
8	62870GT	CABLE ASSY,HITCH,W/HOOKS 3/32 includes hooks	1
8-	62772GT	HOOKS,CABLE ASSY TMZ50	
9	62871GT	SCREW,HHC,5/16-18 X 5/8,GR5	
10	62864GT	WASHER,LOCK,EXTRNL TOOTH, 5/16	
11	62872GT	GUIDE,ACTUATOR LEVER	1
12	62873GT	EMERGENCY LEVER SPRING TMZ50	1
13	62874GT	CAP,MASTER CYLINDER TMZ50 **	1
13-	62773GT	O-RING,MASTR CYLNDR(62768)TMZ	
14	62877GT	LEVER,EMERGENCY,HITCH ASSY T50	1
15	75868GT	SCREW,HHC,1/4-20 X 2	
16	75869GT	WASHER,LOCK, 1/4 INCH	
17	97458GT	ACTUATOR CASE, 3 BOLT MOUNT	1
18	75871GT	GASKET,MASTER CYLINDER (75873)	1
19	75873GT	CYLINDER, MASTER***** includes item 18	1
20	67304GT	BRAKE LINE,LONG 149.5" TMZ50	1
21	62761GT	CONNECTOR,ORIFICE,.018 TMZ	1
22	75872GT	NUT,HEX 1/4-20 INCHES	



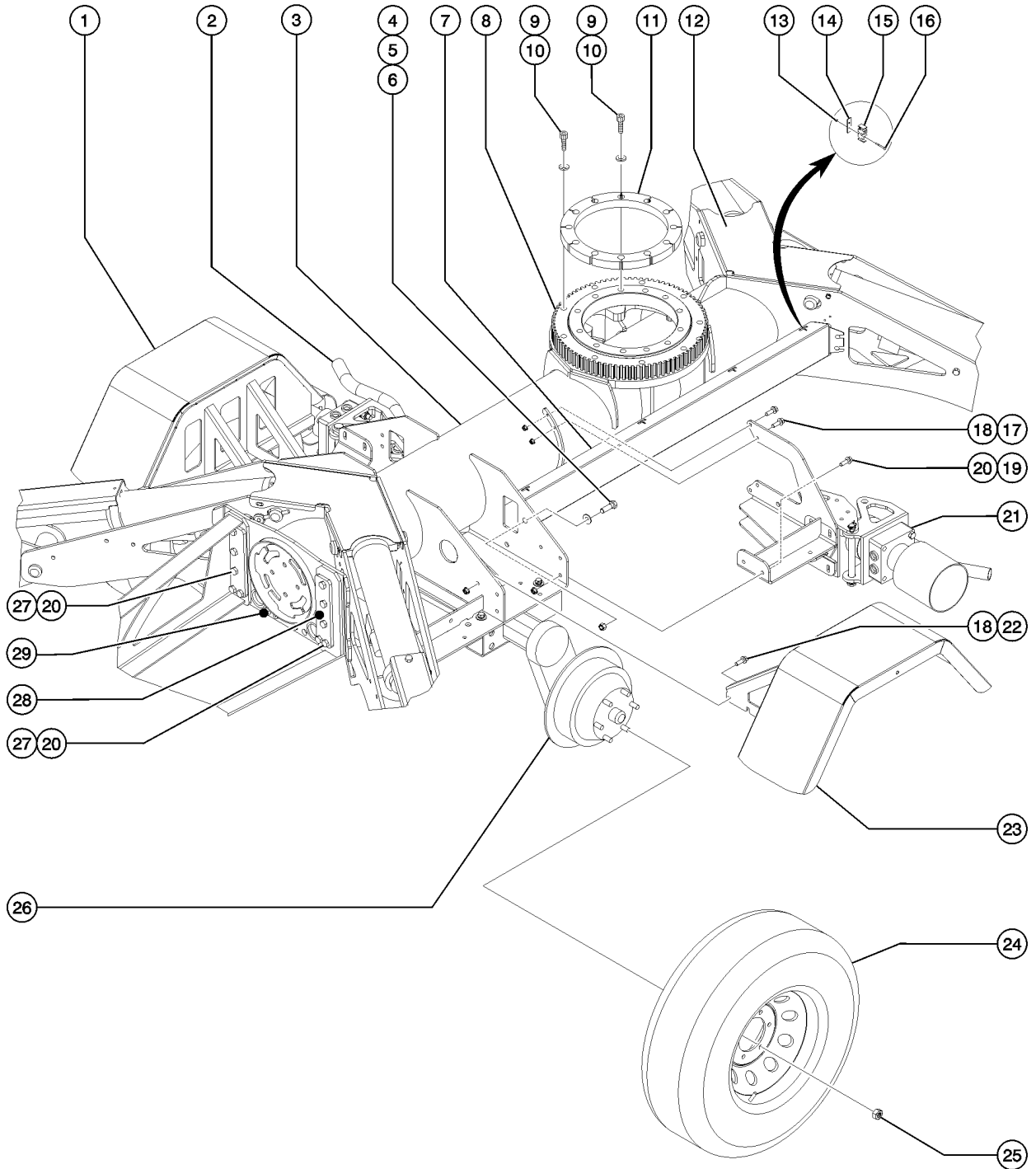
202.1 Hitch Assembly - ANSI and CSA Models



202.1 Hitch Assembly - ANSI and CSA Models

Item	Part No.	Description	Qty.
23	75874GT	BOOT,CYLINDER MASTER	1
24	62879GT	PUSH ROD ASSEMBLY TMZ50	1
25	72032-SGT	TONGUE HANDLE ASSY T3400	1
		includes plastic covers	
26	6198GT	NUT, NYLOCK, 1/2-13	
27	67722GT	WASHER,FLAT,M12 HARDENED	
28	13854GT	SCREW,HHC,1/2-13 X 4.5,GRD.8	3
29	24647GT	GROMMET,RUBBER .38 X .13 X .63	1
30		Ref. Tongue Assembly (refer to 201.1)	
31	62764GT	DAMPER,SHOCK, HITCH ASSY TMZ	1
32	1263142GT	SCREW,HHC,5/8-11X4.5,8,ZAG	2
33	1274174GT	NUT,NYLOCK,5/8-11,C,ZAG	2
34	59753GT	COUPLER CLEVIS,TMZ	1
35	59720GT	COUPLER, PINTLE RING	1
36	67230GT	COUPLER 2" BALL BULLDOG TMZ	1
36B	67231GT	COUPLER 2-5/16" BALL BULLDOG T	
37	59752-SGT	COUPLER 2-5/16" BALL TZ	1
37B	67535GT	COUPLER, 2" BALL, LEVER LOCK	
38	67229GT	COUPLER,BALL,2"(50MM) TWST LK*	
		twist lock	
38B	67535GT	COUPLER, 2" BALL, LEVER LOCK	
		lever lock	
39	162160GT	CHAIN, SAFETY, SNAP HOOK	2

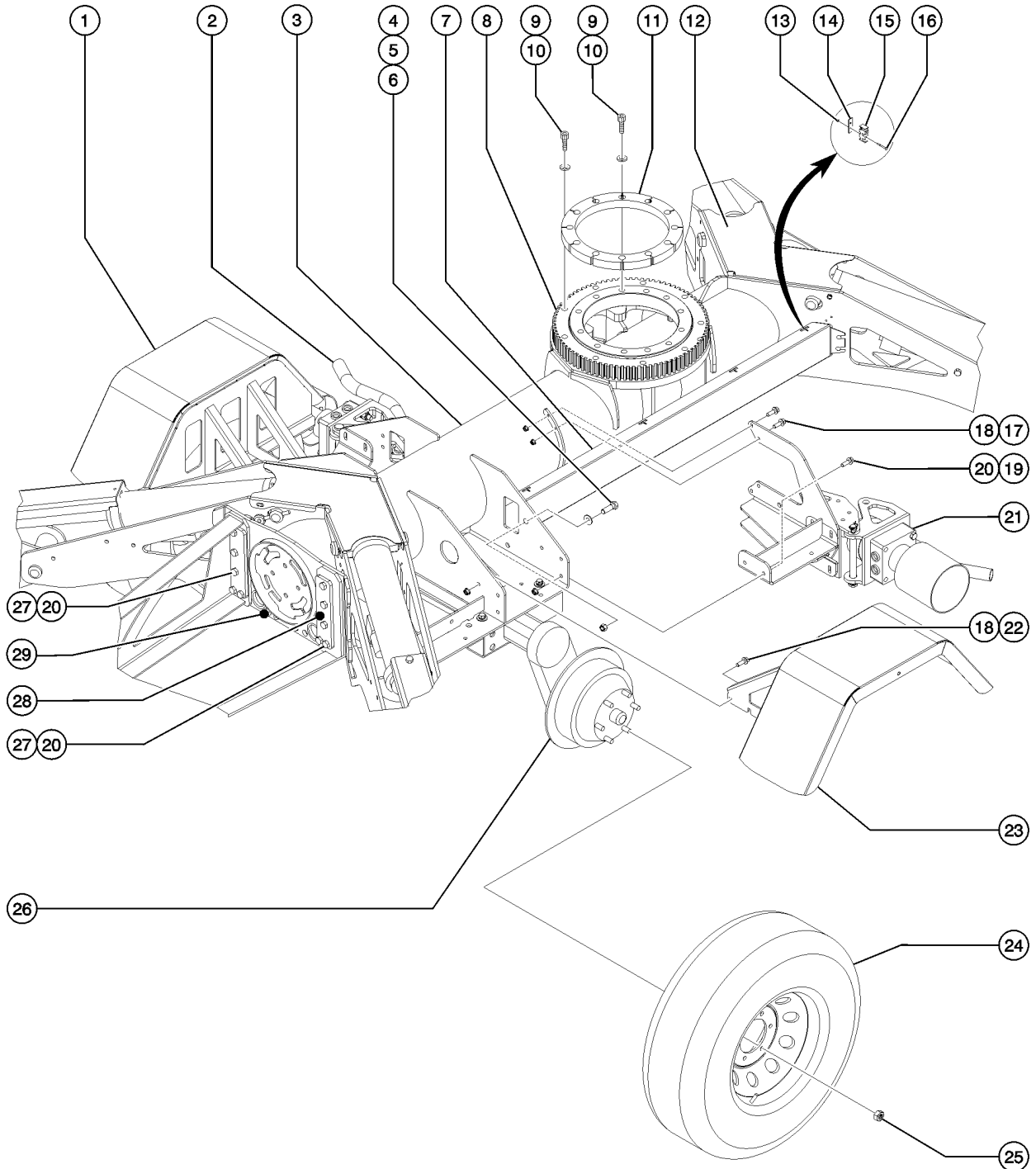
203.1 Chassis Components - View 1



Item	Part No.	Description	Qty.
1	99323GT	FENDER MT,WELDMENT,RIGHT,TZ50	1
2		Ref. Manifold Side Drive Motor	1
		(refer to 205.1 or 206.1)	
3	99551GT	WELDMENT,DRIVE CHASSIS,TZ-50**	1
4	824068GT	SCREW, HHC, 3/8-16 X 1.25, 8, ZAG	4
5	1274166GT	NUT,NYLOCK,3/8-16,C,ZAG	4
6	1255758GT	WASHER,FLAT,3/8,USS,ZAG	4
7	76762GT	FORMING,CHASSIS CABLE CHNL	1
8	99581GT	SWING BEARING	1
9	824106GT	SCREW, SHC, 5/8-11 X 2.75, A574, ZAG	21
10	1256182GT	WASHER,FLAT,5/8,F436,HRD,ZAG	21
11	99580GT	PLATE,SWING SPACER	1
12	99911GT	FORMING,LIMIT SWITCH COVER	2
13	1274165GT	NUT,NYLOCK,1/4-20,C,ZAG	8
14	76767GT	PLATE,HOSE CLAMP	4
15	76763GT	BLOCK,7 HOSE 2 CABLE CLAMP	4
16	1258676GT	BOLT,CARRIAGE,1/4-20X2.5,5,ZAG	8
17	824067GT	SCREW, HHC, 3/8-16 X 1, 8, ZAG	8
18	1274322GT	NUT,NYLOCK FLG,3/8-16,F,ZAG	16
19	1253498GT	SCREW,HHF,1/2-13X1.5,8,ZAG	16
20	1274172GT	NUT,NYLOCK FLG,1/2-13,G,ZAG	26
21		Ref.Hydraulic Tank Side Drive Motor	
		(refer to 205.1 or 206.1)	
22	6019GT	SCREW,HHC,3/8-16 X 1.25 GRD 5	8
23	99322GT	FENDER MT,WELDMENT,LEFT,TZ50	1
24	99586GT	TIRE/WHEEL ASSY,ANSI,TZ50***	2
25	46717GT	NUT,1/2-20,ACORN,TMZ34	12
26		Ref.Axle	1
		(refer to 205.1 or 206.1)	
27	1268271GT	SCREW,HHC,1/2-13X2.25,8,ZAG	10
28	104234GT	PLATE,SPACER,TONGUE MOUNT	2



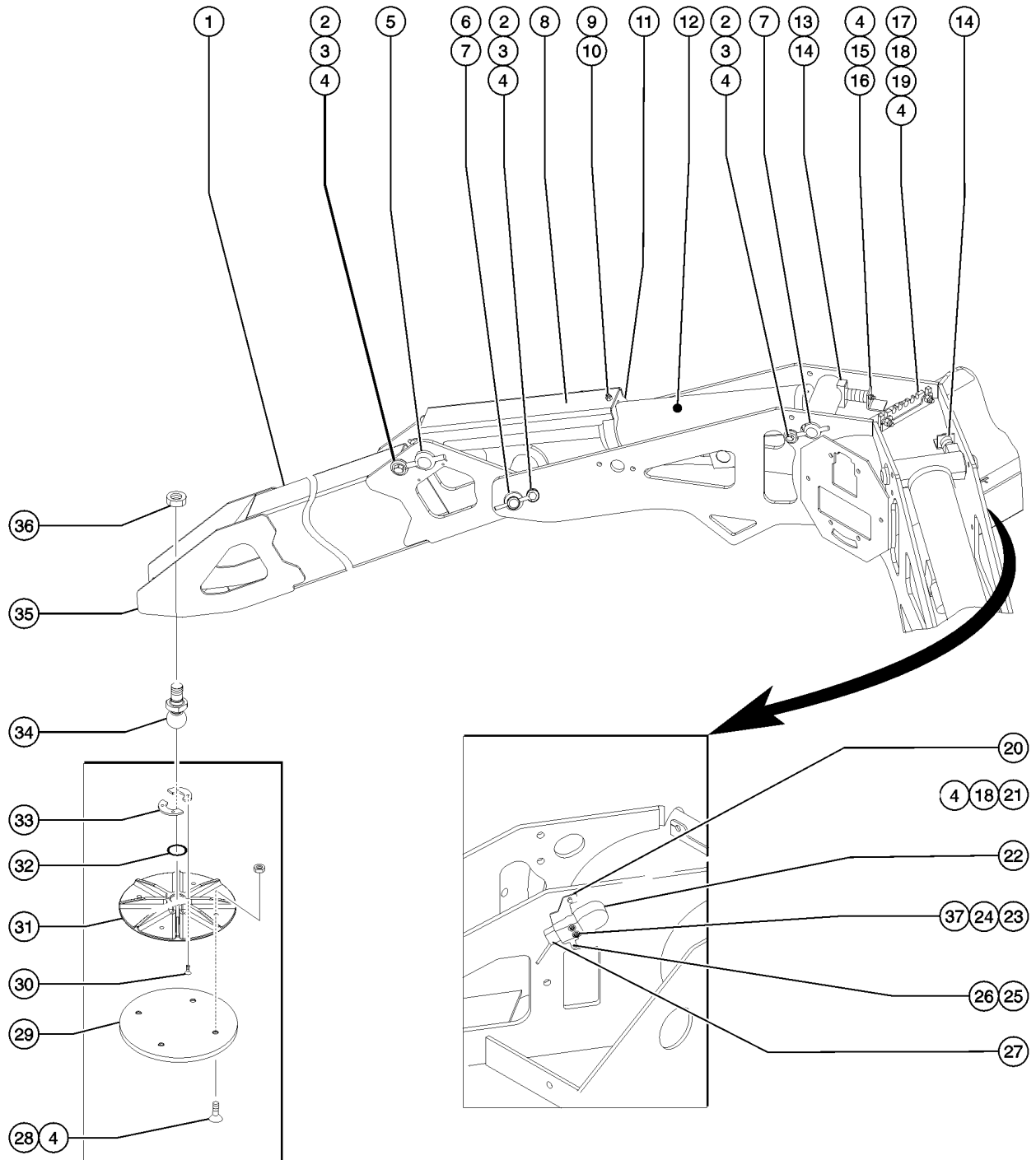
203.1 Chassis Components - View 1



<i>Item</i>	<i>Part No.</i>	<i>Description</i>	<i>Qty.</i>
29		Ref. Kit - Hydraulic Brake (refer to 205.1 or 206.1)	



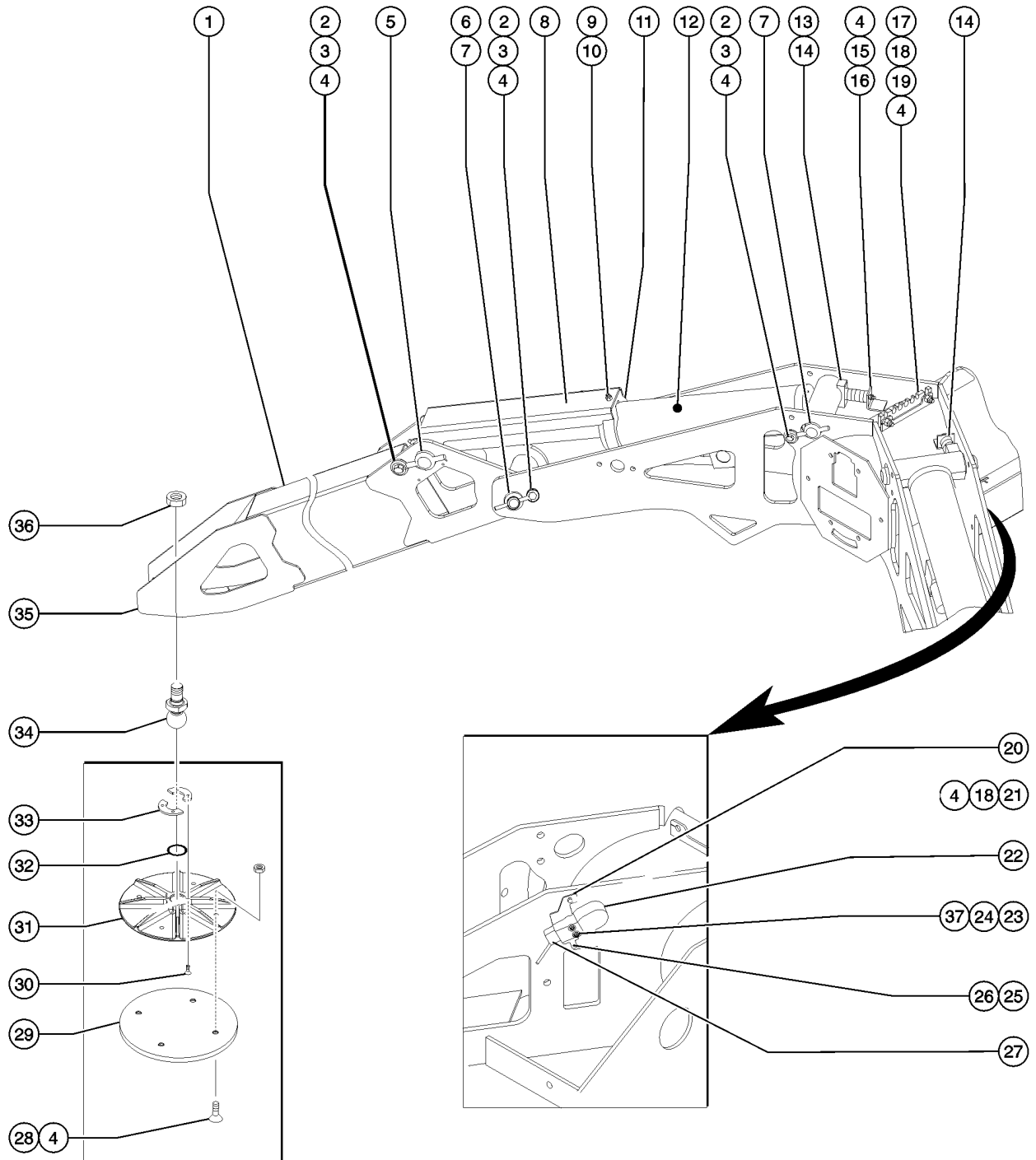
204.1 Chassis Components - View 2



Item	Part No.	Description	Qty.
1	99549GT	SUBASSY,OUTRIGGER,TZ50	4
2	824092GT	SCREW, HHF, 3/8-16 X 1.5, 8, ZAG	12
3	825019GT	ROD END, .375X3.69, ZAG	12
4	1274322GT	NUT,NYLOCK FLG,3/8-16,F,ZAG	44
5	60205GT	PIN,1.50DIA X 5.88LG,1HOLE	1
6	18396GT	BEARING,1.5IDX1.75ODX1.0L	8
7	76695GT	PIN,1.50 DIA X 8.75"LG,1HOLE	8
8	99767GT	FORMING,OUTRIGGER CYL COVER	4
9	824059GT	SCREW, HHC, 1/4-20 X .75, 8, ZAG	4
10	1277924GT	NUT,NYLOCK FLG,1/4-20,F,ZAG	4
11	99766GT	SLIDE,OUTRIGGER CYLINDER COVER	4
12		Ref. CYLINDER,OUTRIGGER	
		refer to 604.1	
13	104047GT	HOLDER,CYL SPRING,HDPE	4
14	61976GT	SPRING,COMP,1-1/4"OD 352 LB/IN	4
15	824096GT	SCREW, HHF, 3/8-16 X 3.5, 8, ZAG	4
16	824120GT	WASHER, FLAT, .375 X 1.50 X .125, ZAG	4
17	104049GT	PLATE,UHMW,CHASSY ROUTING	2
18	1255758GT	WASHER,FLAT,3/8,USS,ZAG	12
19	824068GT	SCREW, HHC, 3/8-16 X 1.25, 8, ZAG	4
20	76689GT	PLATE, L/S MOUNT TZ50	4
21	824067GT	SCREW, HHC, 3/8-16 X 1, 8, ZAG	8
22	76682GT	COVER, LIMIT SWITCH	4
23	1271081GT	NUT,NYLOCK,8-32,8,ZAG	8
24	1257390GT	WASHER,FLAT,#8,SAE,ZAG	8
25	826516GT	SCREW, PHPM, 10-32 X 1.0, ZAG	4
26	1283005GT	NUT,NYLOCK FLG,10-32,A,ZAG	4
27	76700GT	LIMIT SWITCH ASSY, W/CONNECTOR	4
28	1310769GT	SCREW,FHS,1/4-20X1.38,NP,ZAG	16

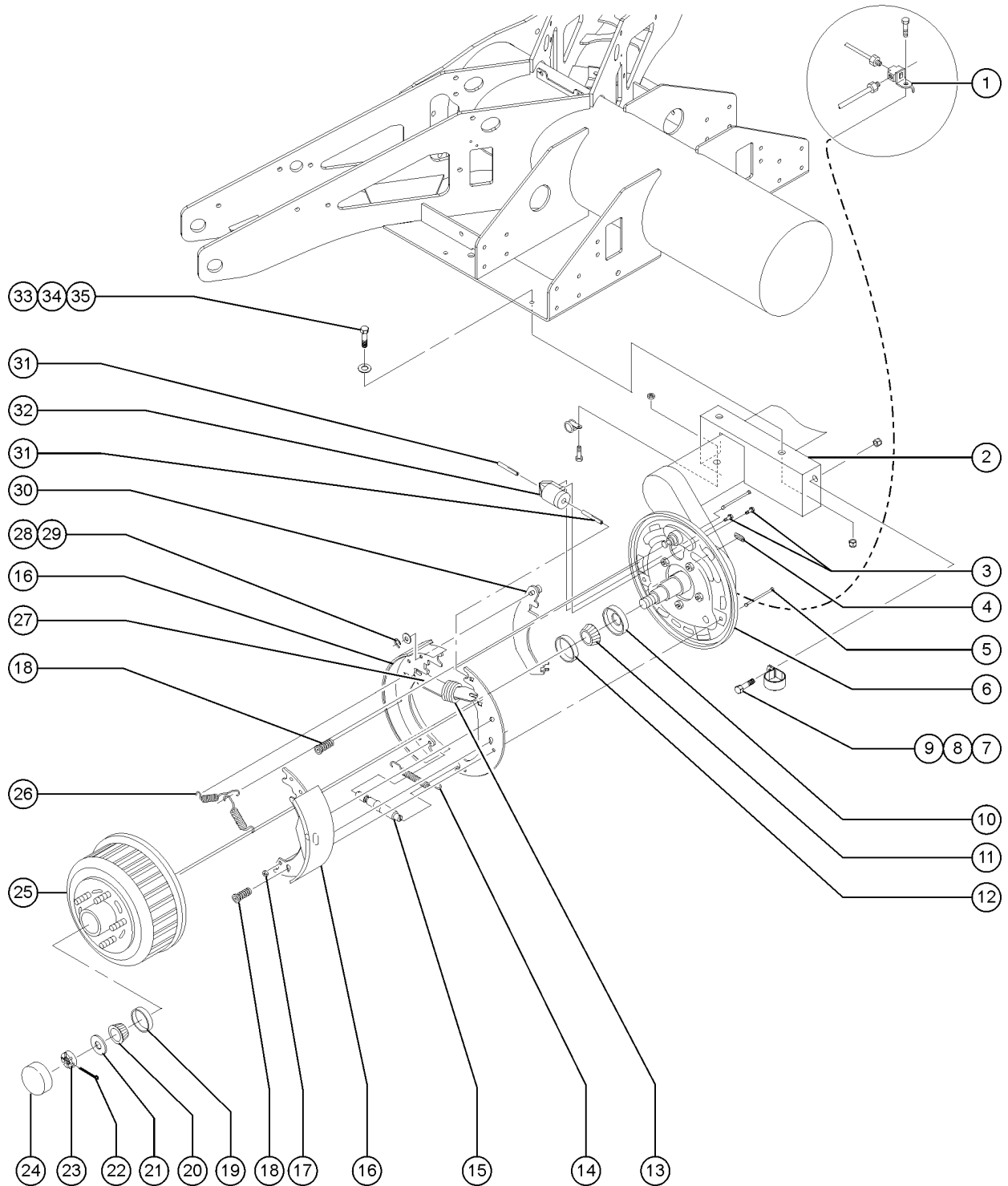


204.1 Chassis Components - View 2



<i>Item</i>	<i>Part No.</i>	<i>Description</i>	<i>Qty.</i>
29	99774GT	WEARPAD,OUTRIGGER	4
30	1310769GT	SCREW,FHS,1/4-20X1.38,NP,ZAG	16
31	76717GT	CASTING,FOOTPAD,ALUMINUM	4
32	109898GT	O-RING, 0.094 X 1.31 X 1.5	4
33	109897GT	PLATE,FT RETAINER	8
34	87451GT	POST,FOOTPAD	4
35	99571GT	WELDMENT,OUTRIGGER,TZ50	4
36	1274177GT	NUT,NYLOCK,7/8-9,C,ZAG	4
37	76692GT	STUD, SELF-CLINCH 8-32X1.25	8

205.1 Brake Components - ANSI and CSA Models

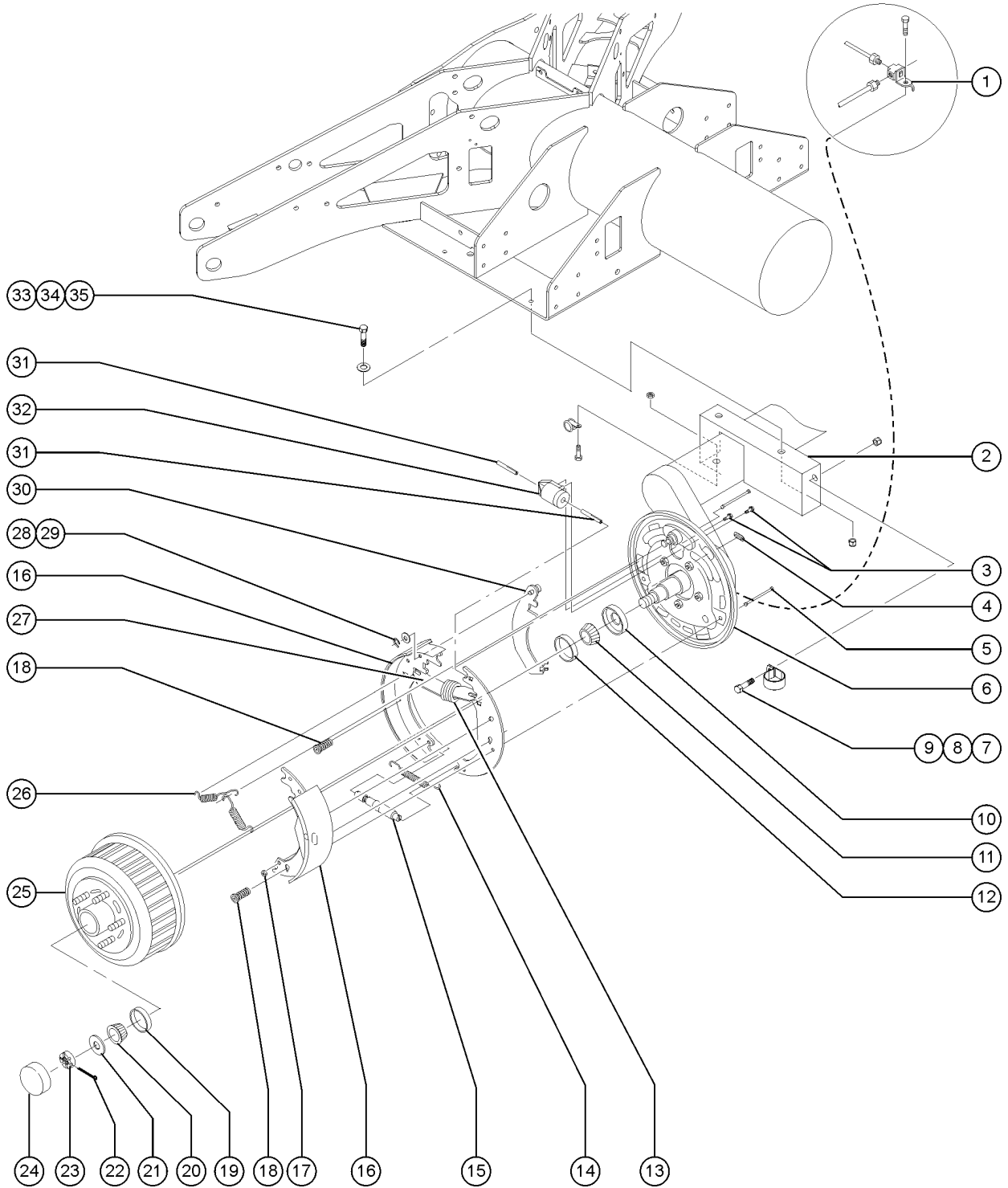


205.1 Brake Components - ANSI and CSA Models

Item	Part No.	Description	Qty.
-	T106819GT	ASSEMBLY, HYD BRAKE, LH TZ50	
-	T106820GT	ASSEMBLY, HYD BRAKE, RH TZ50	
1	99382GT	KIT,BRAKE LINE,TZ50	1
1-	99329GT	HARDLINE, LONG, HYD BRAKE***	2
1-	99330GT	HARDLINE, SHORT, HYD BRAKE***	2
1-	99033GT	HOSE, HYD BRAKE, 48 IN	2
1-	104456GT	WASHER, STAR, INTERNAL, .63	
1-	104457GT	NUT, HEX, LP, 5/8-18	
1-	48309GT	FITTING, TEE, BRAKE LINE	1
2	105594GT	TZ50, HYD AXLE, DEXTER	1
2A	105515GT	TZ-50 ELEC AXLE ASSY	1
3	75816GT	SCREW, HEX STAR WASHER GT10	
4	75817GT	COVER, HOLE RUBBER GT10	1
5	75813GT	PIN, SHOE HOLD DOWN SRRING GT1	2
6	T106822GT	BACKING PLATE, HYD, RH	1
6A	T106821GT	BACKING PLATE, HYD, LH	1
7	6090GT	SCREW, HHC, 1/4-20 X .75	1
8	16073GT	CLAMP, 0.63, #10 X 1/4, RUB CUSH	2
9	6091GT	NUT, NYLOCK, 1/4-20	2
10	84950GT	GREASE SEAL	1
11	65208GT	INNER BEARING CONE(48056)T50**	1
12	65209GT	INNER BEARING CUP(48056)T50***	1
13	84709GT	PARKING STRUT SPRING	1
14	75829GT	SPRING, ADJUSTING SCREW GT10	1
15	89290GT	SCREW, ADJUSTING ASSEMBLY	1
16	89291GT	KIT, SHOE AND LINING one kit required for each side of axle	1
17	75826GT	NUT, HEX 5/16X18 GT10	2
18	75815GT	SPRING, SHOE HOLD DOWN GT10	2



205.1 Brake Components - ANSI and CSA Models

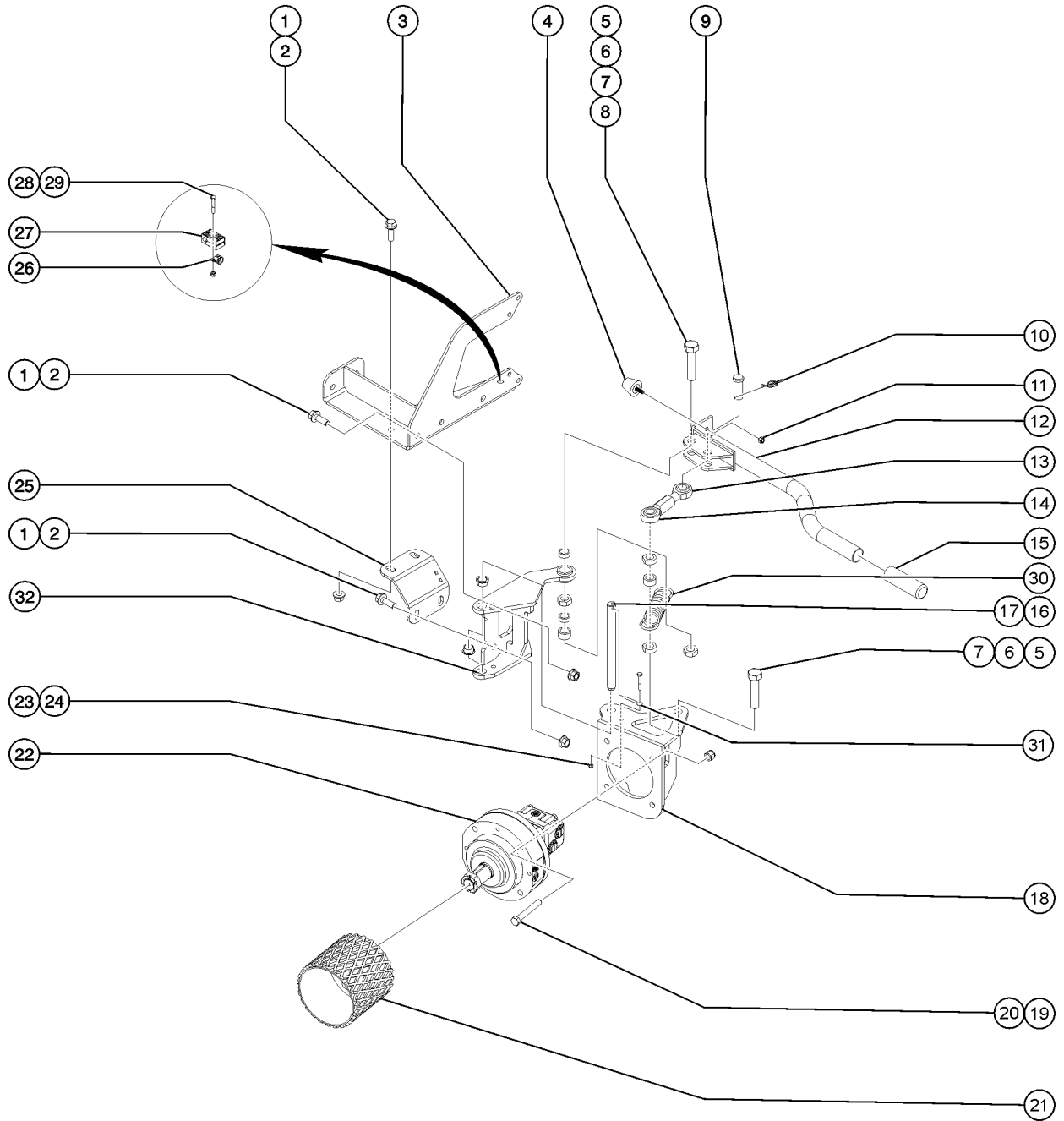


205.1 Brake Components - ANSI and CSA Models

Item	Part No.	Description	Qty.
19	84956GT	OUTER BEARING CUP	1
20	84957GT	OUTER BEARING CONE***	1
21	52258GT	WASHER - SPINDLE	
22	84707GT	COTTER PIN	1
23	84708GT	SPINDLE NUT	1
24	65215GT	CAP,GREASE (48056) TMZ50***	1
25	65211GT	HUB,12 X 2 INCHES (48056)****	1
26	65237GT	RETRACTOR SPRING-HYD.BRK59944*	2
26	62147GT	PAD-ANCHOR POST,HYD BRK-59944* not shown	2
27	T106823GT	STRUT, PARKING BRAKE	1
28	84711GT	RETAINER	1
29	84961GT	WASHER	1
30	84962GT	PARKING LEVER ASSEMBLY, LEFT	1
30A	84963GT	PARKING LEVER ASSEMBLY, RIGHT	
31	62149GT	ROD, PUSH, HYDRAULIC BRAKE (59944)	2
32	80237GT	WHEEL CYLINDER,LH (80235)	1
32A	75844GT	BRAKE, CYLINDER RIGHT GT10	1
33	54177GT	SCREW,HHC,1/2-13 X 1.5 GRD 8	
34	6095GT	WASHER,FLAT,USS,1/2",Y	
35	6198GT	NUT, NYLOCK, 1/2-13	



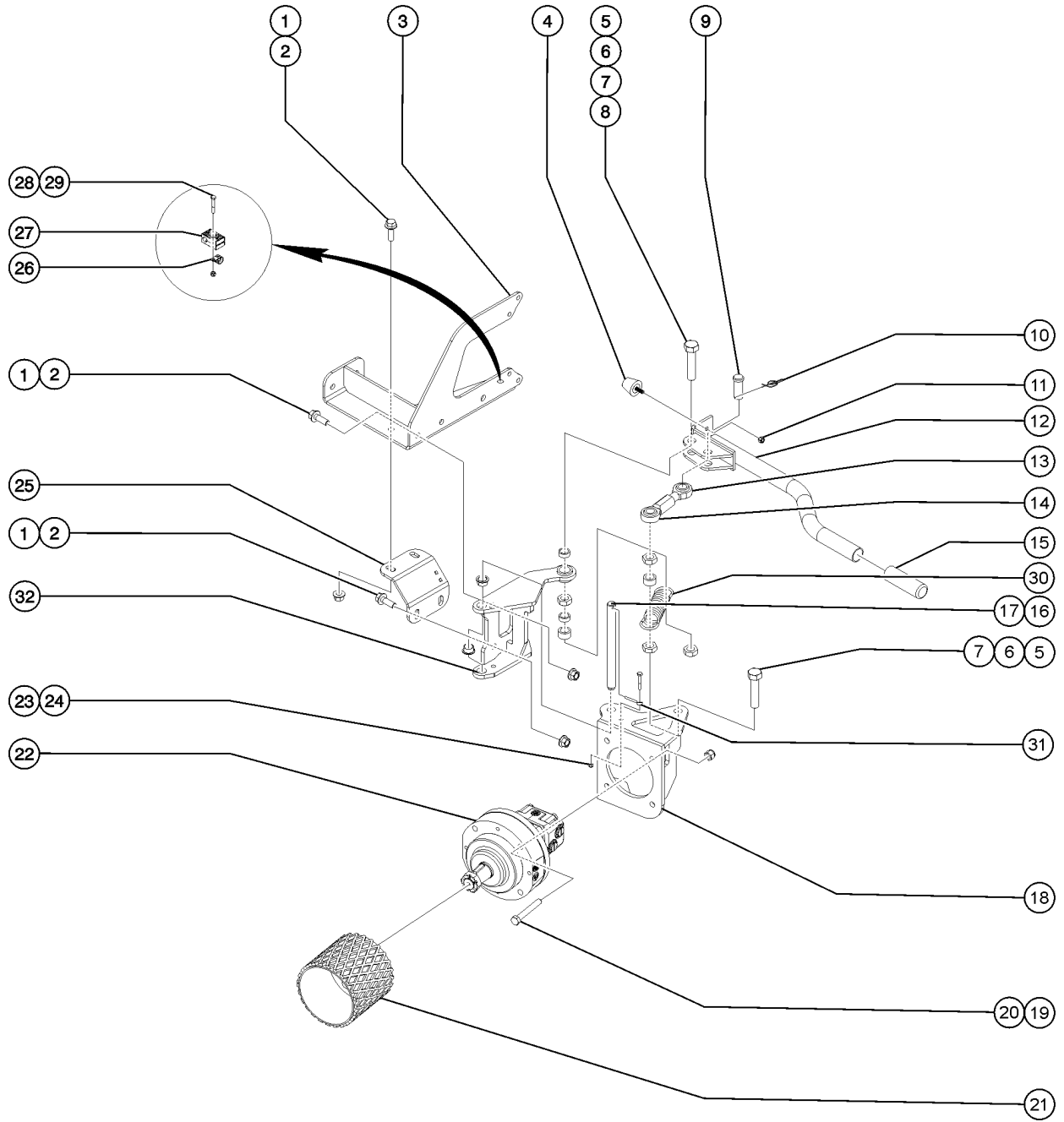
206.1 Power Wheel Assist



Item	Part No.	Description	Qty.
1	1253498GT	SCREW,HHF,1/2-13X1.5,8,ZAG	16
2	1274172GT	NUT,NYLOCK FLG,1/2-13,G,ZAG	16
3	104232GT	WELDMENT,DRIVE MOUNT,LT,ANSI	1
		Left hand side	
3B	104231GT	WELDMENT,DRIVE MOUNT, RT,ANSI	1
		Right hand side	
4	30973GT	BUMPER,RUBBER-1 X 1.25	2
5	55602GT	SCREW,HHC,3/4-10 X 3.25 GR5	4
6	8538GT	NUT,LP NYLOCK,3/4-10	8
7	76743GT	SPACER,.75 ID, .59 LG	4
8	39580GT	BEARING,0.75IDX1.00ODX0.38L	4
9	6545GT	PIN, CLEVIS, .75 X 2	2
10	96423GT	RUE RING, 3/4PIN	2
11	6782GT	NUT, NYLOCK, 5/16-18	2
12	76758GT	WELDMENT,DRIVE LEVER	2
13	99950GT	ROD END,MALE 3/4"	2
14	99951GT	ROD END,FEMALE 3/4"	2
15	48767GT	SLEEVE,NYLON,1.42 ID	2
16	76727GT	PIN,0.75 DIA X 9.25 LG CHAMFER	2
17	76355GT	BUSHING, FLANGE,3/4X7/8X1/2	4
18	76751GT	WELDMENT,PIVOT,DRIVE LH	1
		Left hand side	
18B	76721GT	WELDMENT,PIVOT,DRIVE OPTION	1
		Right hand side	
19	8357GT	SCREW, HHC, 1/2-13 X 3.5	8
20	6198GT	NUT, NYLOCK, 1/2-13	8
21	76728GT	WELDMENT,WHEEL,DRIVE OPTION	2
22	76736GT	MOTOR,HYD W/BRK,10.0 CID/REV**	2
23	8915GT	SCREW, HHC, 1/4-20 X 1.25	2
24	6091GT	NUT,NYLOCK,1/4-20	2
25	99958GT	FORMING,GUSSET,DRIVE OPTION	2
26	16073GT	CLAMP,0.63,#10 X 1/4,RUB CUSH	2



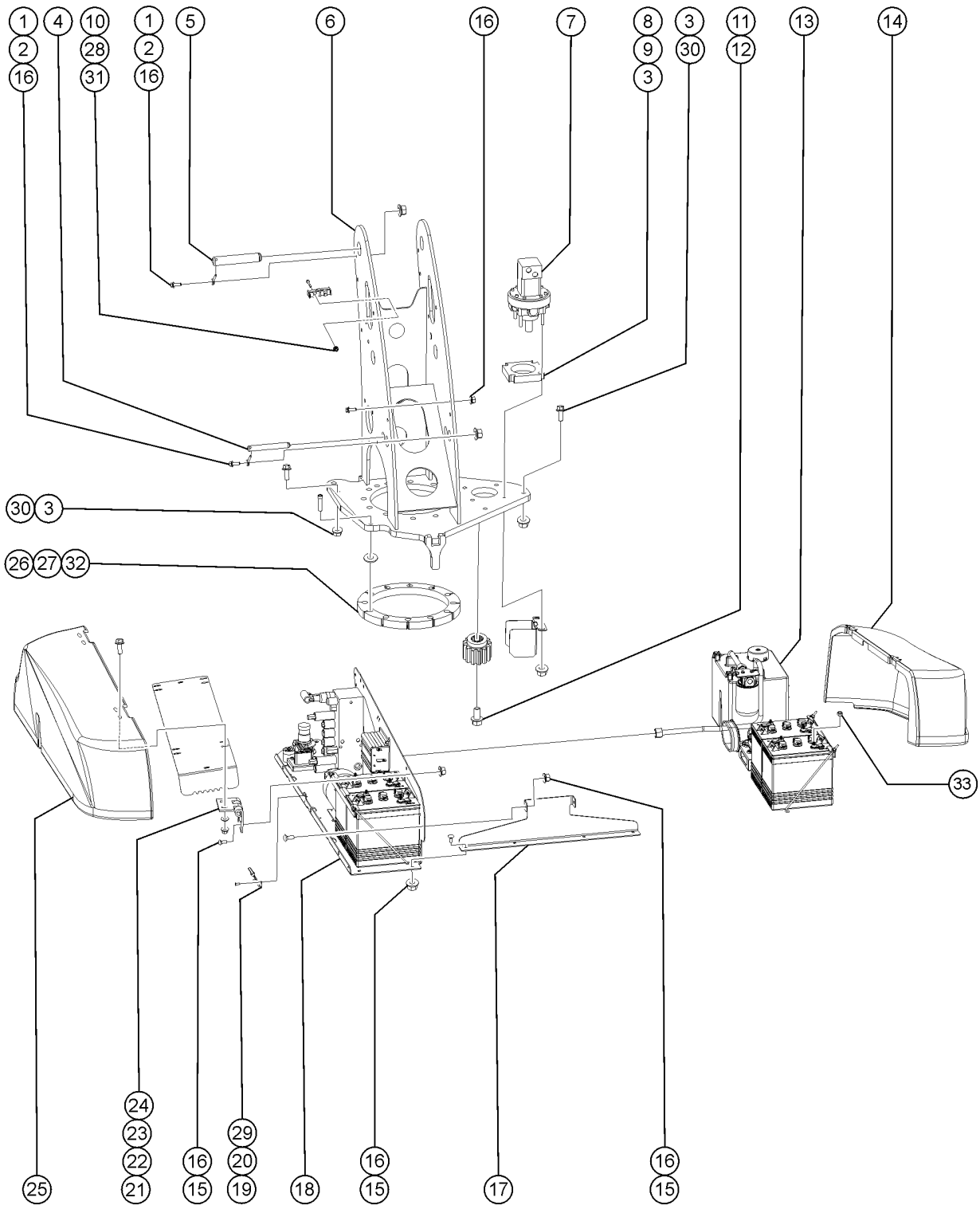
206.1 Power Wheel Assist



<i>Item</i>	<i>Part No.</i>	<i>Description</i>	<i>Qty.</i>
27	78736GT	CLAMP,2 HOSE,PLASTIC	4
28	824063GT	SCREW,HHC,1/4-20X1.75,8,ZAG	2
29	1274165GT	NUT,NYLOCK,1/4-20,C,ZAG	2



301.1 Turntable Components

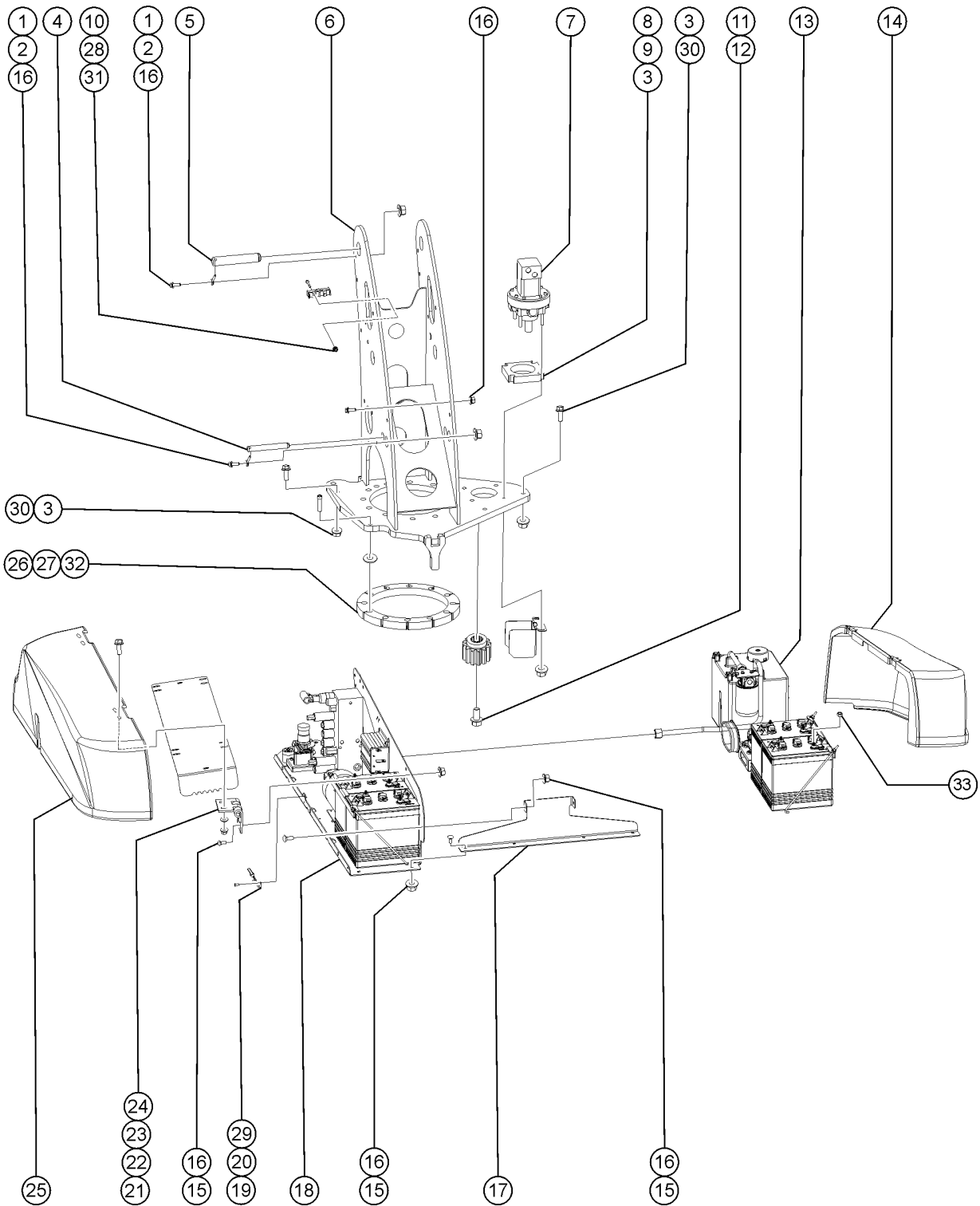


301.1 Turntable Components

Item	Part No.	Description	Qty.
1	824092GT	SCREW, HHF, 3/8-16 X 1.5, 8, ZAG	3
2	45226GT	ROD END, .375 X 3.69	3
3	1274320GT	NUT,NYLOCK,1/2-13,C,ZAG	8
4	104609GT	PIN,1.25DIAX9.86LG,CHAMFER	1
5	104606GT	PIN,1.75DIAX9.86LG,CHAMFER	2
6	99715GT	WELDMENT,TURNTABLE	1
7	104236GT	MOTOR,TURNTABLE ROT,W/BRAKE***	1
8	99730GT	PLATE,SLEW MOTOR SPACER	1
9	104127GT	FORMING,PINION GUARD	1
10	1258676GT	BOLT,CARRIAGE,1/4-20X2.5,5,ZAG	2
11	48143GT	GEAR,PINION,TMZ50 *SHOP*	1
12	104338GT	SCREW,SHC,5/8-18X 1" GRD8	1
13	99826GT	LEFT TRAY,SUB-ASSY	1
14	99827GT	SWING COVER,LEFT	1
15	824125GT	BOLT, CARRIAGE, 3/8-16 X 1, 5, ZAG	14
16	1274166GT	NUT,NYLOCK,3/8-16,C,ZAG	29
17	99727GT	FORMING,SWING TRAY FRONT	1
18	99825GT	RIGHT TRAY,SUB-ASSY	1
19	75877-1GT	LATCH,FLEXIBLE DRAW***	2
20	75877-2GT	LATCH,FLEXIBLE DRAW***	2
21	5397GT	WASHER, FLAT, USS, 5/16-18	8
22	104011GT	FORMING,SWING COVER SUPPORT	2
23	55517GT	HINGE, GSRT90 BOX	4
24	824067GT	SCREW, HHC, 3/8-16 X 1, 8, ZAG	8
25	99828GT	COVER,SWING CHASSIS,RH	1
26	99580GT	PLATE,SWING SPACER	1
27	824106GT	SCREW, SHC, 5/8-11 X 2.75, A574, ZAG	12
28	18504GT	NUT,LOCKING-LG.FLANGE,1/4-20	2



301.1 Turntable Components

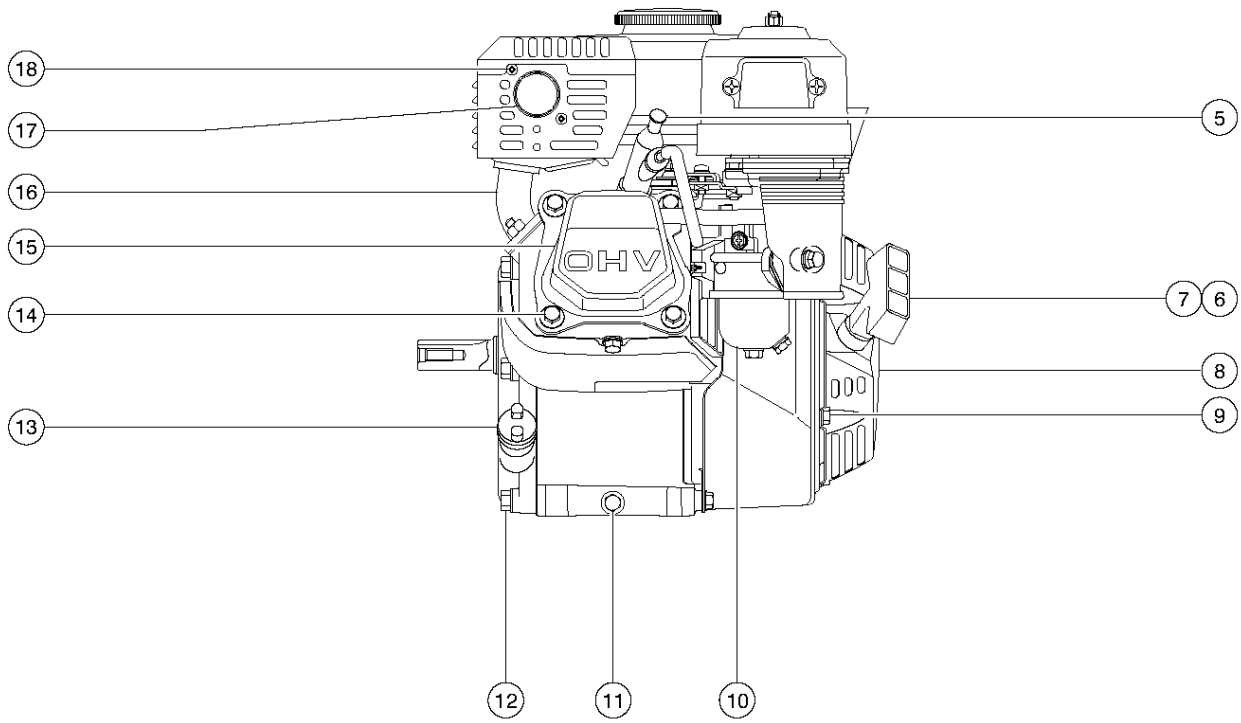
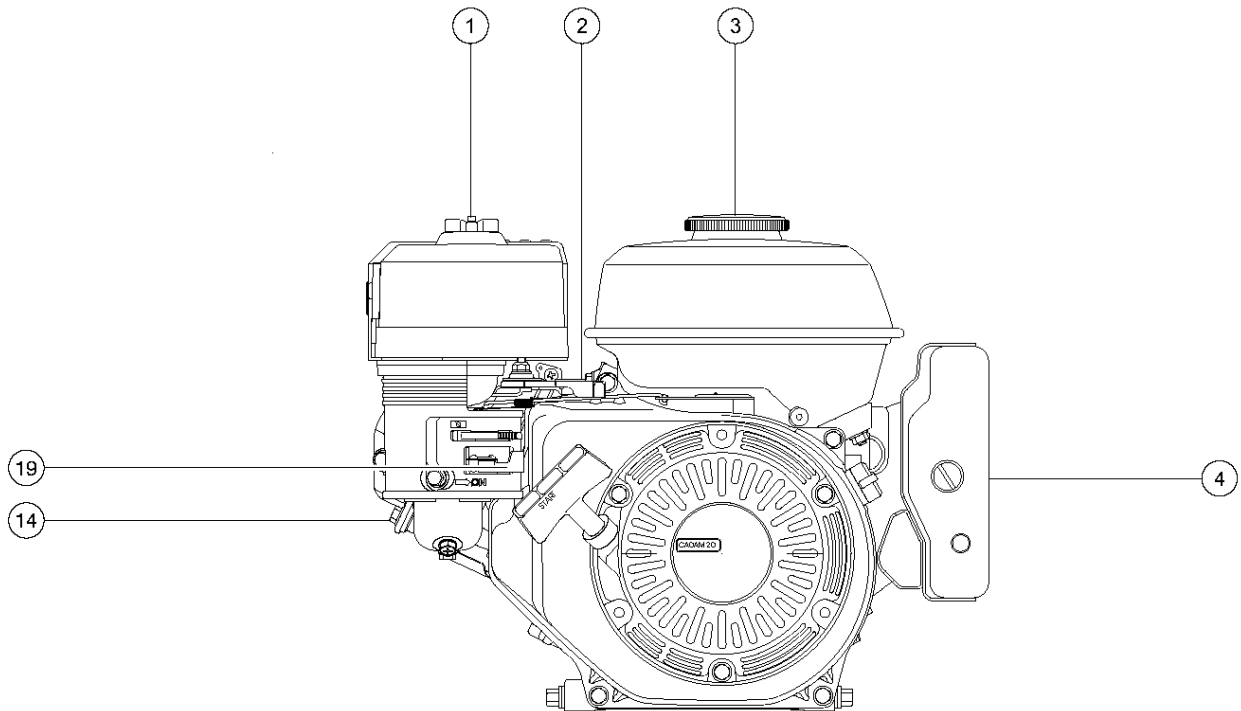


301.1 Turntable Components

<i>Item</i>	<i>Part No.</i>	<i>Description</i>	<i>Qty.</i>
29	75877-3GT	LATCH,FLEXIBLE DRAW***	2
30	1256844GT	SCREW,HHC,1/2-13X1.5,8,ZAG	4
31	104671GT	BLOCK,6 HOSE,5 CABLE CLAMP***	1
32	1259686GT	WASHER,FLAT,.765X1.312X.093,ZAG	12
33	1274167GT	NUT,NYLOCK FLG,5/16-18,F,ZAG	8



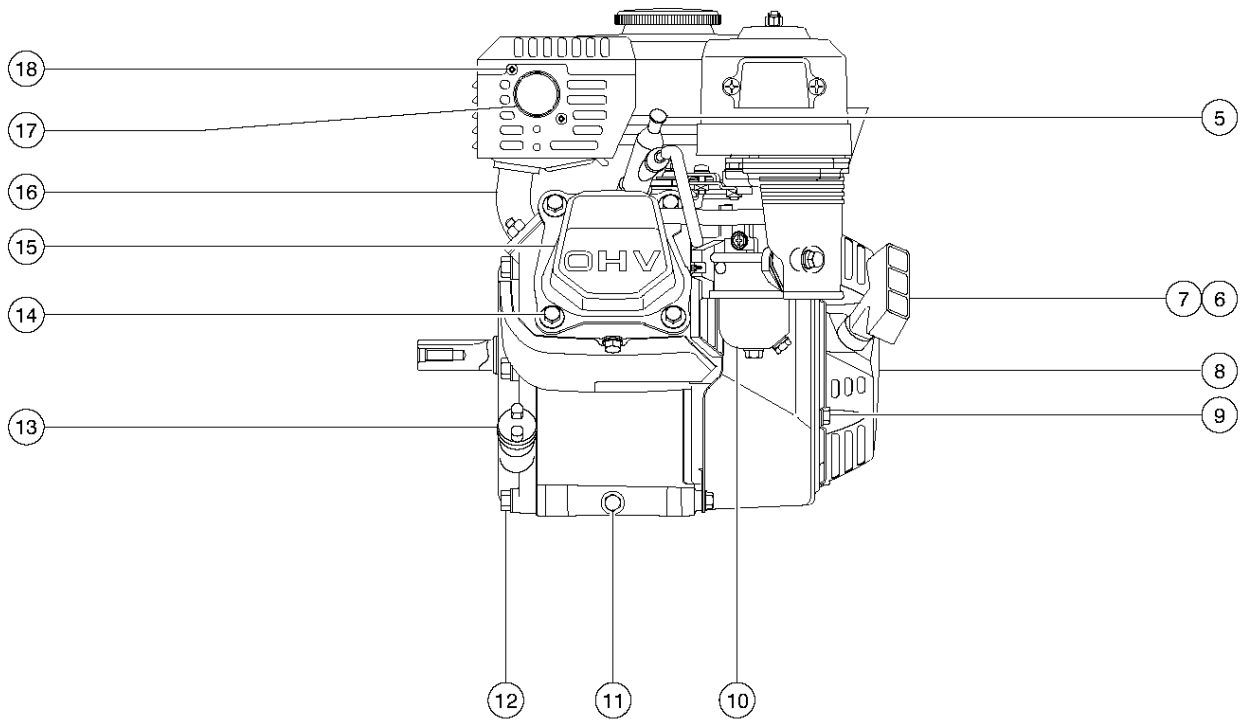
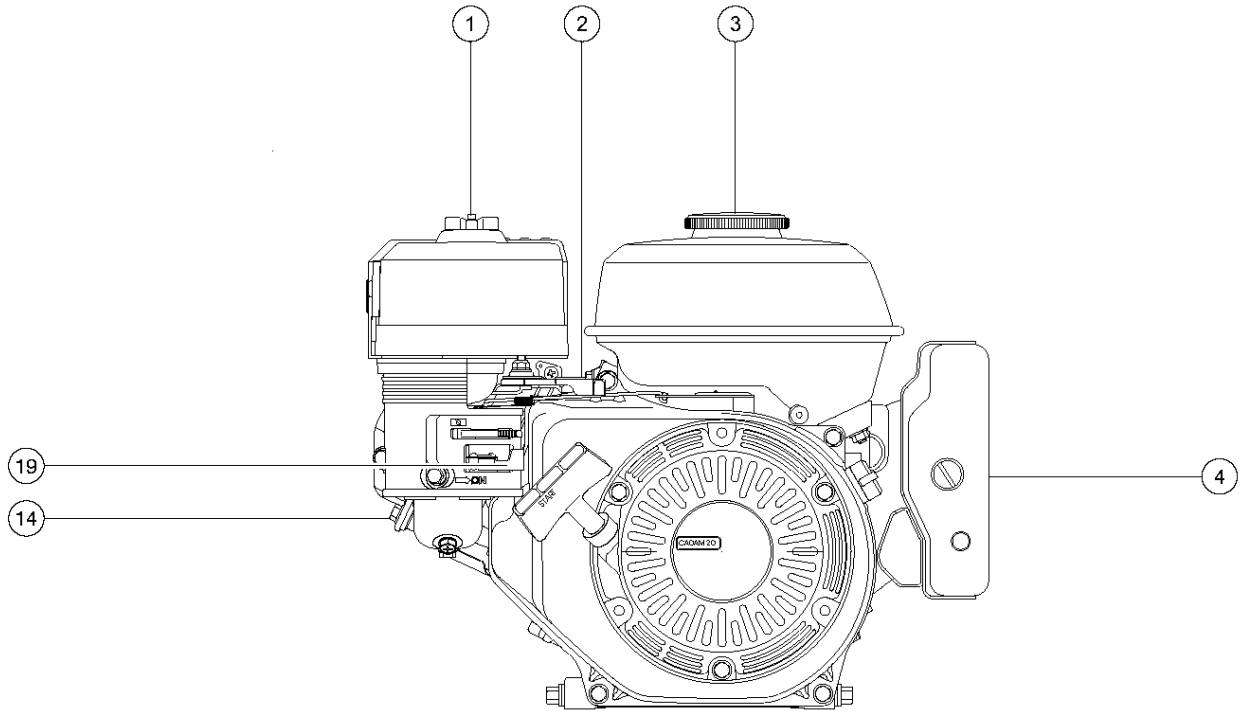
302.1 Engine Components - View 1



Item	Part No.	Description	Qty.
-	1306288GT	ENGINE, 5.8 HP, HONDA, GX200	
1	84938GT	AIR CLEANER ASSEMBLY	
1-	84889GT	AIR CLEANER COVER	1
1-	84890GT	AIR CLEANER COVER NUT	
1-	65113GT	WING-NUT(AIR CLEANER (65114)	
1-	84891GT	GROMMET	
1-	84892GT	AIR CLEANER ELEMENT	
1-	84893GT	FILTER	
1-	84937GT	ELBOW GASKET	1
2	84894GT	CONTROL ASSEMBLY	1
2-	84895GT	CABLE RETURN SPRING	
2-	84896GT	CONTROL BASE COMPONENT	
3	84897GT	FUEL TANK CAP ASSEMBLY	1
3-	84898GT	FUEL TANK ADAPTER	
3-	65117GT	CLAMP-HOSE,FUEL TANK (65110)	
4	84964GT	CONTROL BOX ASSEMBLY	1
4-	84965GT	SWITCH ASSEMBLY	
4-	84966GT	FUSE, 5A	
4-	84967GT	OIL ALERT UNIT	
4-	84968GT	RECTIFIER ASSEMBLY	
4-	84969GT	CONTROL BOX PANEL	
4-	84970GT	REAR CONTROL CASE	
4-	84971GT	FRONT CONTROL CASE	
4-	97336GT	KEY - KEYSWITCH	
5	84901GT	SPARK PLUG	1
6	84902GT	KNOB	1
7	84903GT	ROPE	1
8	84904GT	STARTER ASSEMBLY	1

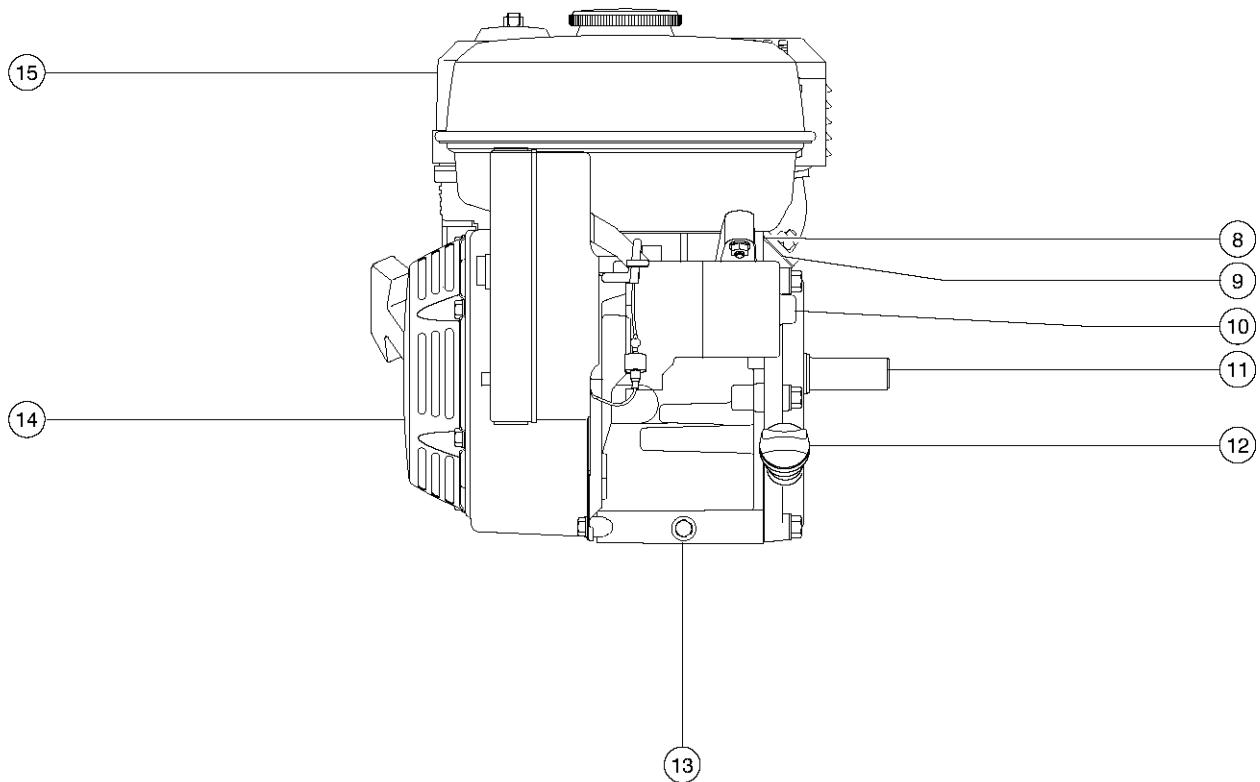
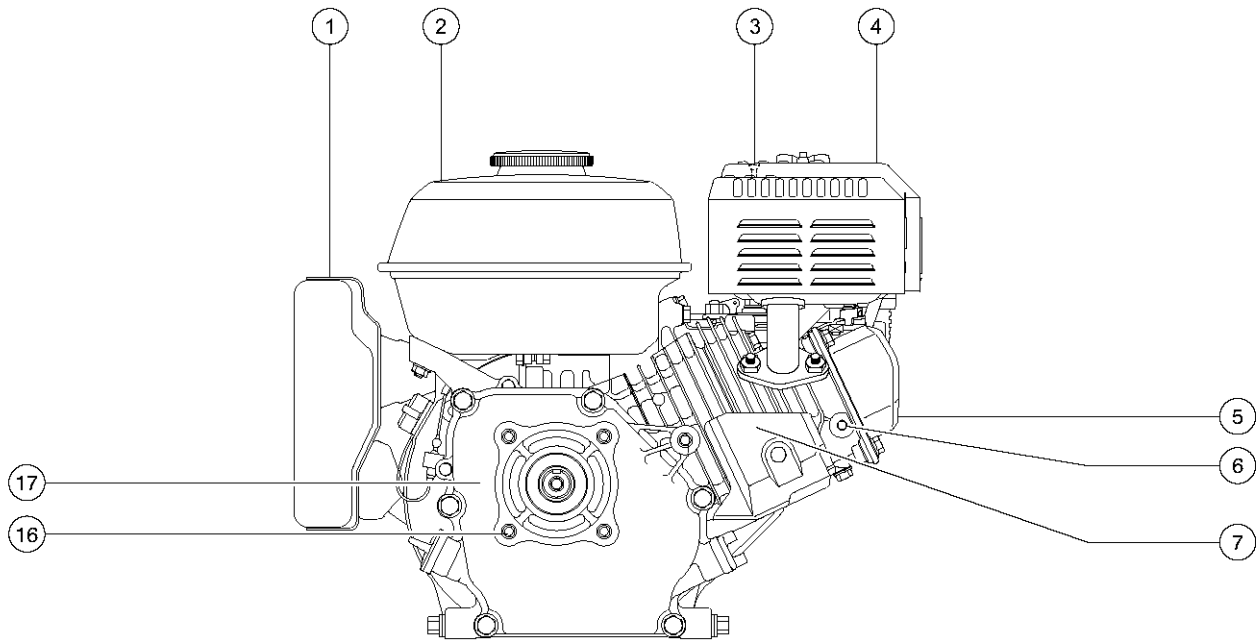


302.1 Engine Components - View 1



<i>Item</i>	<i>Part No.</i>	<i>Description</i>	<i>Qty.</i>
8-	84905GT	RECOIL STARTER SPRING	
8-	84935GT	STARTER PULLEY	1
8-	84936GT	COOLING FAN	
9	84907GT	FLANGED BOLT, 6 X 10	
10	84908GT	CARBURETOR,HONDA TZ50	1
10	84909GT	SPACER CARBURETOR	
10	84910GT	CARBURETOR INSULATOR	
10	84911GT	CARBURETOR GASKET	
10	65125GT	LEVER-CHOKE,CARBURETOR(65127)	
10	84912GT	LEVER, FUEL SHUT OFF	
11	84913GT	OIL DRAIN PLUG	1
12	84914GT	FLANGE BOLT, 8 X 32	
13	84915GT	OIL FILLER CAP	1
14	84916GT	FLANGED BOLT	1
15	84917GT	HEAD COVER	1
15	84918GT	HEAD COVER GASKET	
15	84919GT	BREATHER TUBE	
15	84920GT	FLANGED BOLT, 8 X 60	4
16	84921GT	MUFFLER	1
17	84922GT	MUFFLER GASKET	1
18	22571GT	NUT,HEX,M8 X 1.25	
19	84923GT	LEVER CONTROL	1

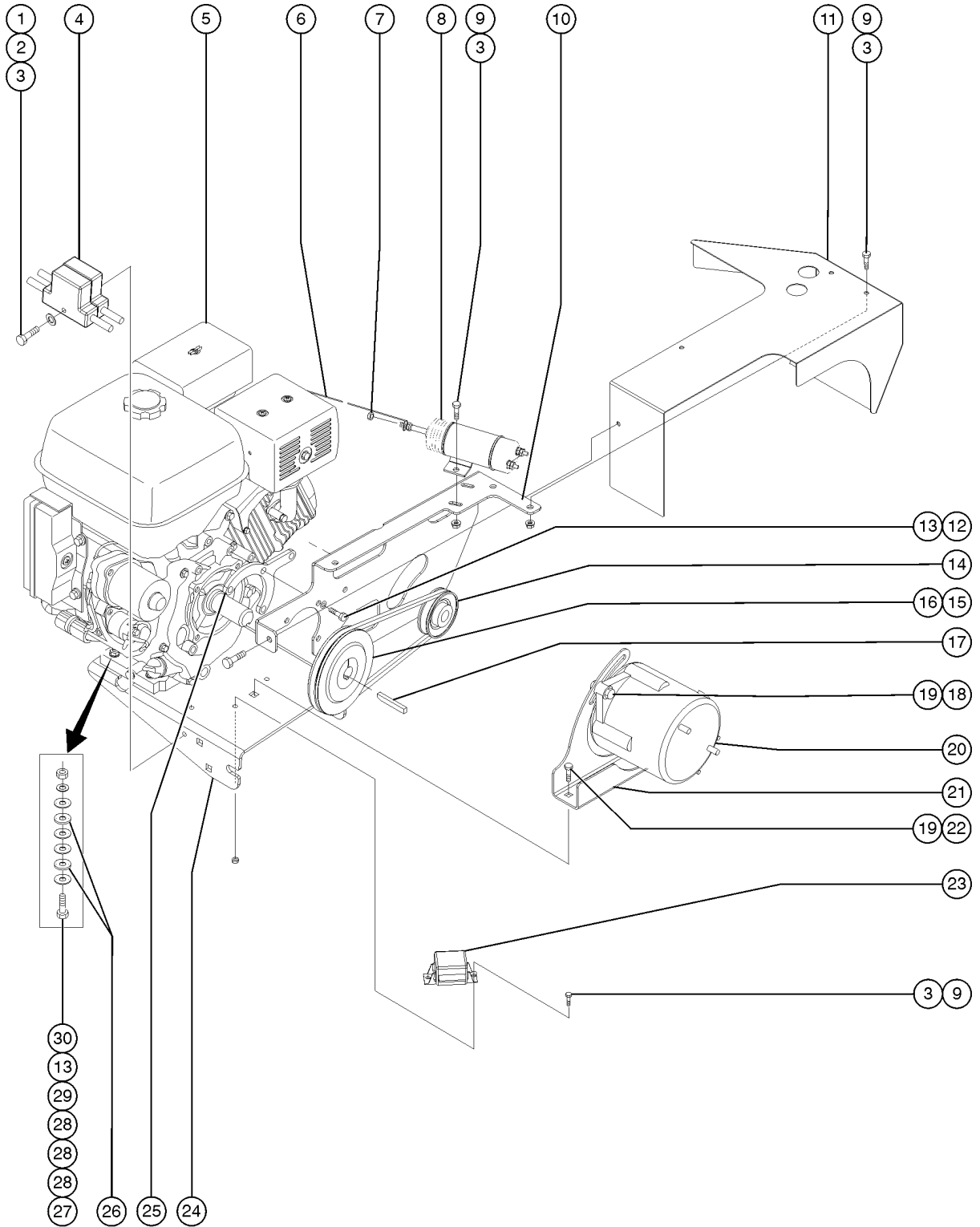
302.2 Engine Components - View 2



Item	Part No.	Description	Qty.
-	84924GT	GASKET KIT	
1		Ref. Control Box (refer to 303.1)	
2	84925GT	FUEL TANK	
3	62841GT	SCREW,SELF TAPPING (62842)	4
4	84926GT	MUFFLER COVER	1
5	84927GT	CYLINDER HEAD ASSEMBLY	1
6	84928GT	STUD BOLT, 6 X 112	
6	84929GT	STUD BOLT, 8 X 32	
7	84930GT	CYLINDER BARREL ASSEMBLY	1
8	84931GT	OIL LEVEL SWITCH ASSEMBLY	1
9	84932GT	GOVERNOR KIT	1
10	84972GT	STARTER,HONDA,TZ50	1
10-	58258GT	STARTER,SOL.ENG.SI,5.5 HONDA	
10-	84973GT	MAGNET SWITCH CORD	
11	84933GT	CRANKSHAFT	1
12	84934GT	OIL FILLER CAP WITH DIPSTICK	1
13		Ref. Oil Drain Plug (refer to 303.1)	
14		Ref. Starter Assembly (refer to 303.1)	
15		Ref. Air Cleaner (refer to 303.1)	
16	84939GT	FLANGED BOLT, 8 X 32	
17	84940GT	CRANKCASE COVER ASSEMBLY	1
17-	84941GT	CASE COVER GASKET	



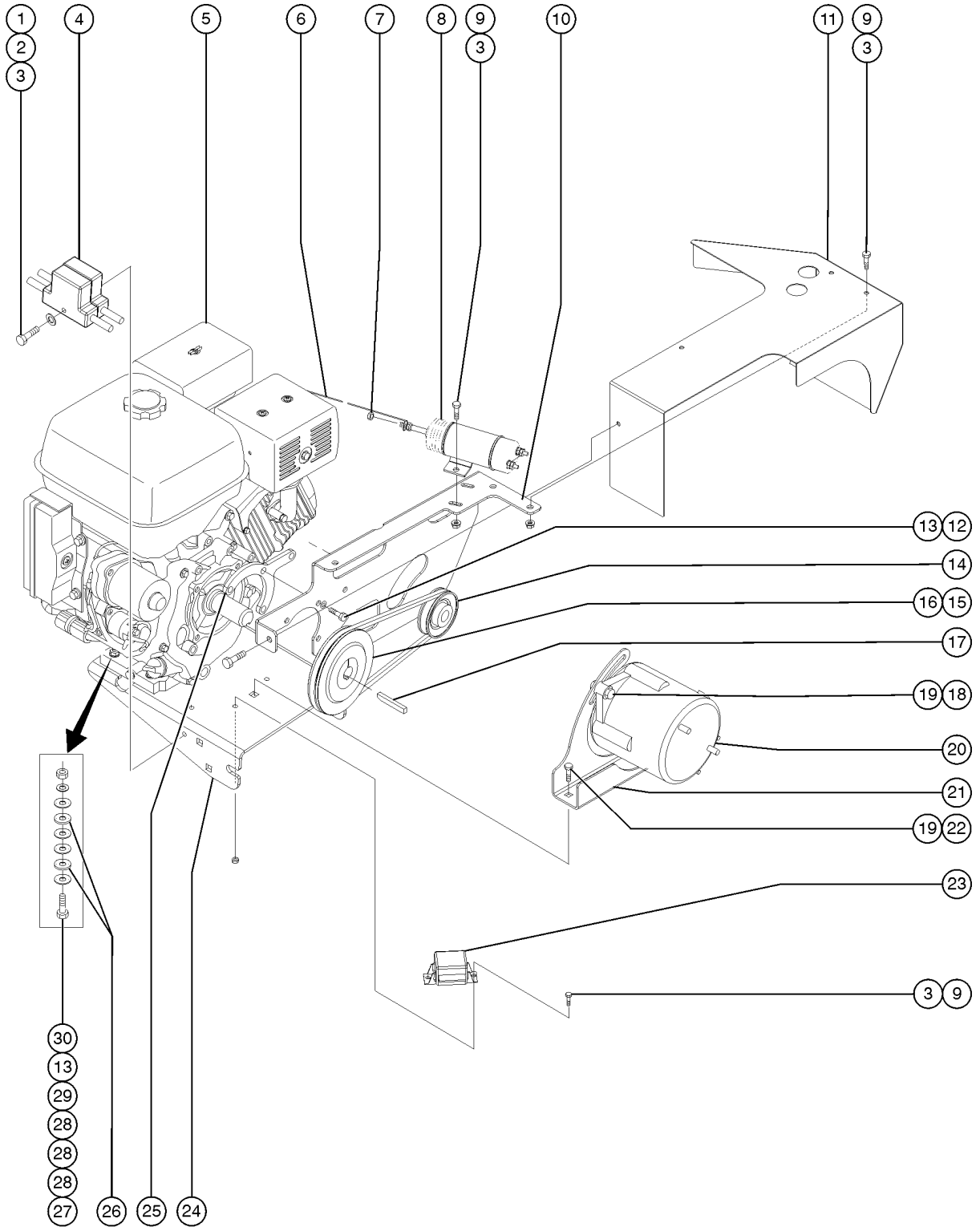
302.3 Engine Components - View 3



Item	Part No.	Description	Qty.
-	105535GT	KIT, BI-ENERGY, HONDA	
1	35713GT	SCREW,FHS,1/4-20 X 2.75	
2	6638GT	WASHER, FLAT, USS, 1/4"Y	
3	6091GT	NUT,NYLOCK,1/4-20	
4	55747GT	FUSE HOLDER, IN-LINE, 6AWG, MAXI	2
4-	55726GT	FUSE,50 AMP	
5		Ref. Engine (refer to 302.1 and 302.2 and 302.3)	
6	104214GT	ROD,CHOKE	1
7	21496GT	NUT,HEX,1/4-28	
8	51745GT	SOLENOID,1"STRKE,12V,SYNCR***	1
8-	52514GT	BOOT,SOLENOID, 20780	
8-	22446GT	SPRING, COMPRESSION .835 X 2	
9	6090GT	SCREW, HHC, 1/4-20 X .75	
10	104733GT	ALTERNATOR COVER SUPPORT***	1
11	104730GT	WELDMENT,ALTERNATOR COVER***	1
12	229846GT	BOLT, 5/16-24 X 1.0, SAEJ429 GR5	4
13	5397GT	WASHER, FLAT, USS, 5/16-18	
14	104188GT	PULLEY,ALTERNATOR,2.75 X .375	1
14-	104815GT	BELT,3VX-250***	
15	104813GT	SHEAVE, 3V335JA	1
16	104814GT	BUSHING, JA3/4	1
17	84947GT	KEY	1
18	6019GT	SCREW,HHC,3/8-16 X 1.25 GRD 5	
19	4828GT	NUT, NYLOCK, 3/8-16	
20	99786GT	ALTERNATOR,24V 45A	1
		(includes item 14)	
21	104729GT	BRACKET,ALTERNATOR MOUNT***	1
22	64154GT	BOLT, CARRIAGE, 3/8-16 X 1.00, G5	
23	56099GT	RELAY,SPST,24V,50A	1



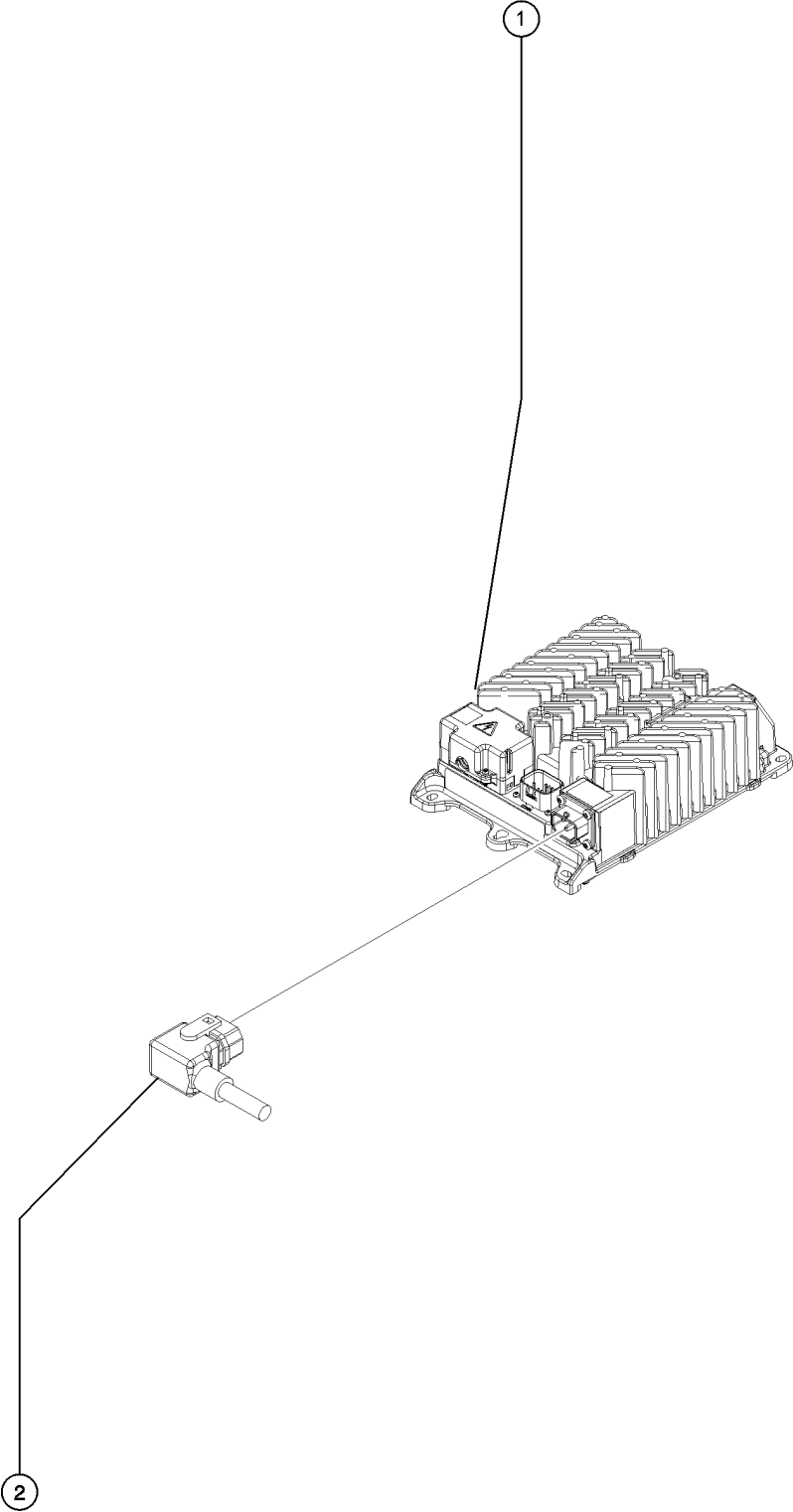
302.3 Engine Components - View 3



<i>Item</i>	<i>Part No.</i>	<i>Description</i>	<i>Qty.</i>
24	99832GT	FORMING,ENGINE MOUNT	1
25	229629GT	SPACER, COVER MOUNT	1
26	80601GT	ISOLATOR,140# AXIAL,1.31 O.D**	4
27	37218GT	SCREW,HHC,5/16-18 X 3.00	
28	15086GT	WASHER,FLAT,.375 X 1.5 X .125	
29	33278GT	WASHER, FLAT, .75 HARDENED	
30	6782GT	NUT, NYLOCK, 5/16-18	



303.1 Battery Charger



303.1 Battery Charger

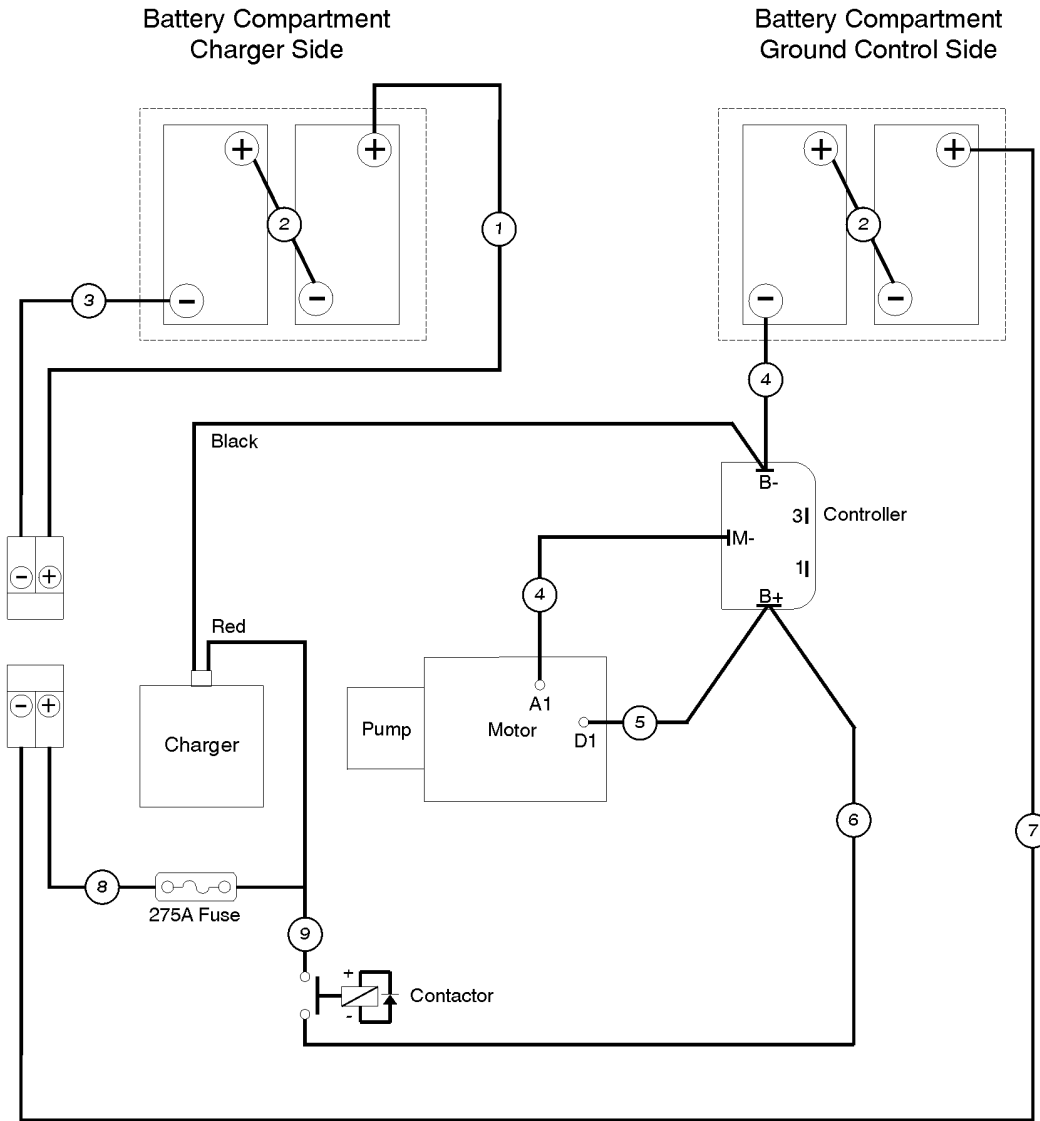
<i>Item</i>	<i>Part No.</i>	<i>Description</i>	<i>Qty.</i>
-	97059GT	FUSE,BATTERY CHARGER*** for 5-LED battery charger	
-	105334GT	CONNECTOR, IEC CHARGER CORD for 5-LED battery charger	
1	1264372GT	CHARGER,24V,650W,USB	
2	1272557GT	POWER CORD,IEC 320,90 DEG	1



<i>Item</i>	<i>Part No.</i>	<i>Description</i>	<i>Qty.</i>
1	824124GT	BOLT, CARRIAGE, 1/4-20 X .75, 5, ZAG	2
2	96769GT	CONTROLLER, DC MOTOR**	1
3	1274165GT	NUT,NYLOCK,1/4-20,C,ZAG	2
4	105387GT	MOTOR,24DC,ADV	1
5	74136GT	VALVE,CHK,#8PORT-#6MALEORFS***	2
6	824110GT	WASHER, LOCK, 3/8, ZAG	2
7	824100GT	SCREW,SHC,3/8-24X1.25,A574,ZAG	2
8	231572GT	PUMP,4CC,GEAR,CCW	1
9	48975GT	CONN,520120-12-10	1



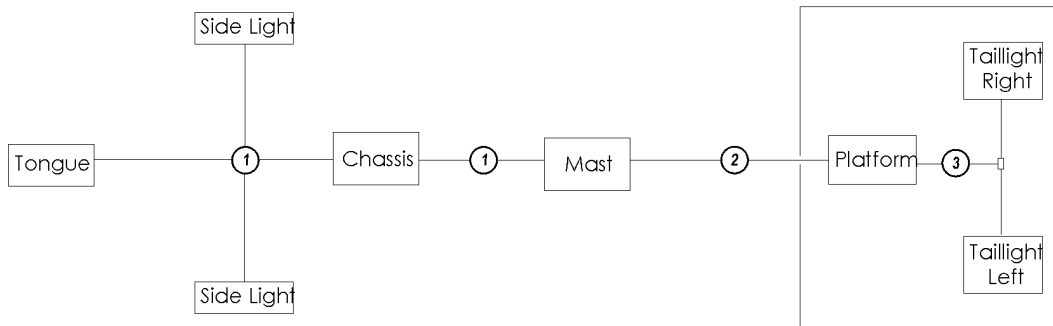
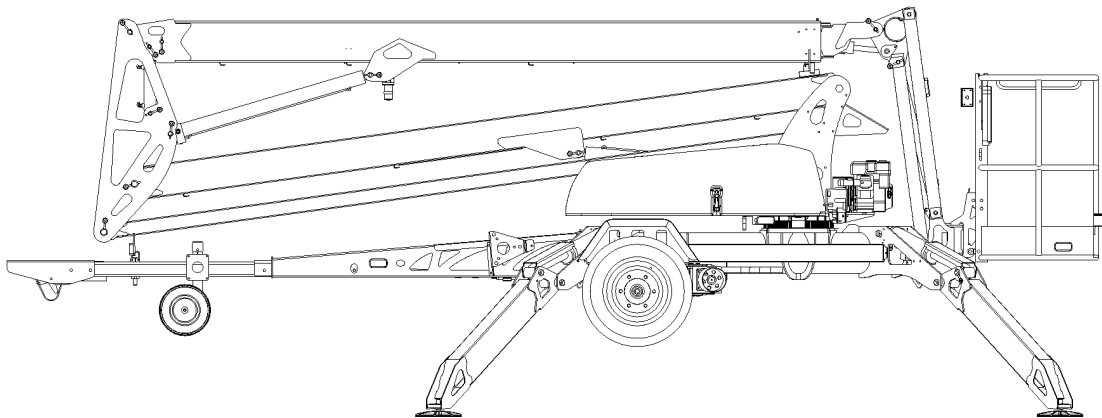
305.1 Electrical Diagram and Power Cables



Item	Part No.	Description	Qty.
A-	58253GT	KIT,REPAIR,DEUTSCH PLUG,W/TUBE (6 wire connector kit)	
B-	83129GT	CONNECTOR KIT,DEUTSCH*** (universal connector kit)	
C-	227441GT	HARNESS,ENGINE TZ50	
D-	825850GT	HARNESS, ENGINE, TZ-50	
E-	236769GT	HARNESS, SWING CHASSIS, TZ50	
F-	76697GT	HRNS, CTRLS TO CHASSIS	
G-	99754GT	HARNESS,BASE CONTROL TO PLAT	
H-	104139GT	HARNESS,BASE TO PLAT POWER	
I-	104117GT	HARNESS, JIB, TZ-50, W/ ROTATE OPTION	
J-	105257GT	LIMIT SWITCH,DUAL W/HARNESS***	
L-	105450GT	HRNS,DRIVE CTRL BX	
M-		Ref. Fuse, 275A (refer to 301.1)	
N-	104140GT	HARNESS,DRIVE OPTION	
O-	105524GT	TZ50 OP LIGHT ELEC BRK PACKAGE	
P-	99521GT	PWR CABLE,PLATFORM OUTLET	
Q-	43956GT	WIRE CABLE, 14/GA/3 CON. TPE JKT* AC power-to-platform option,718 inches	1
R-	219214GT	HARNESS, Y, 2-WAY, TZ-50	
S-	161218GT	HARNESS, Y, 2-WAY, F-M-F	
1	104379GT	CABLE ASSY, 38" RED, TZ50	
2	104380GT	CABLE ASSY, 6" RED, TZ50	
3	104381GT	CABLE ASSY, 21" BLK, TZ50	
4	104382GT	CABLE ASSY, 10" BLK, TZ50	
5	104384GT	CABLE ASSY, 10" RED, TZ50	
6	232543GT	CABLE ASSY,#2 X 46.5" LG	
7	104386GT	CABLE, ASSY, 54" BLK, TZ50	
8	236770GT	CABLE ASSY, 32" RED, TZ50	
9	233373GT	CABLE ASSY, 8" RED, TZ50	

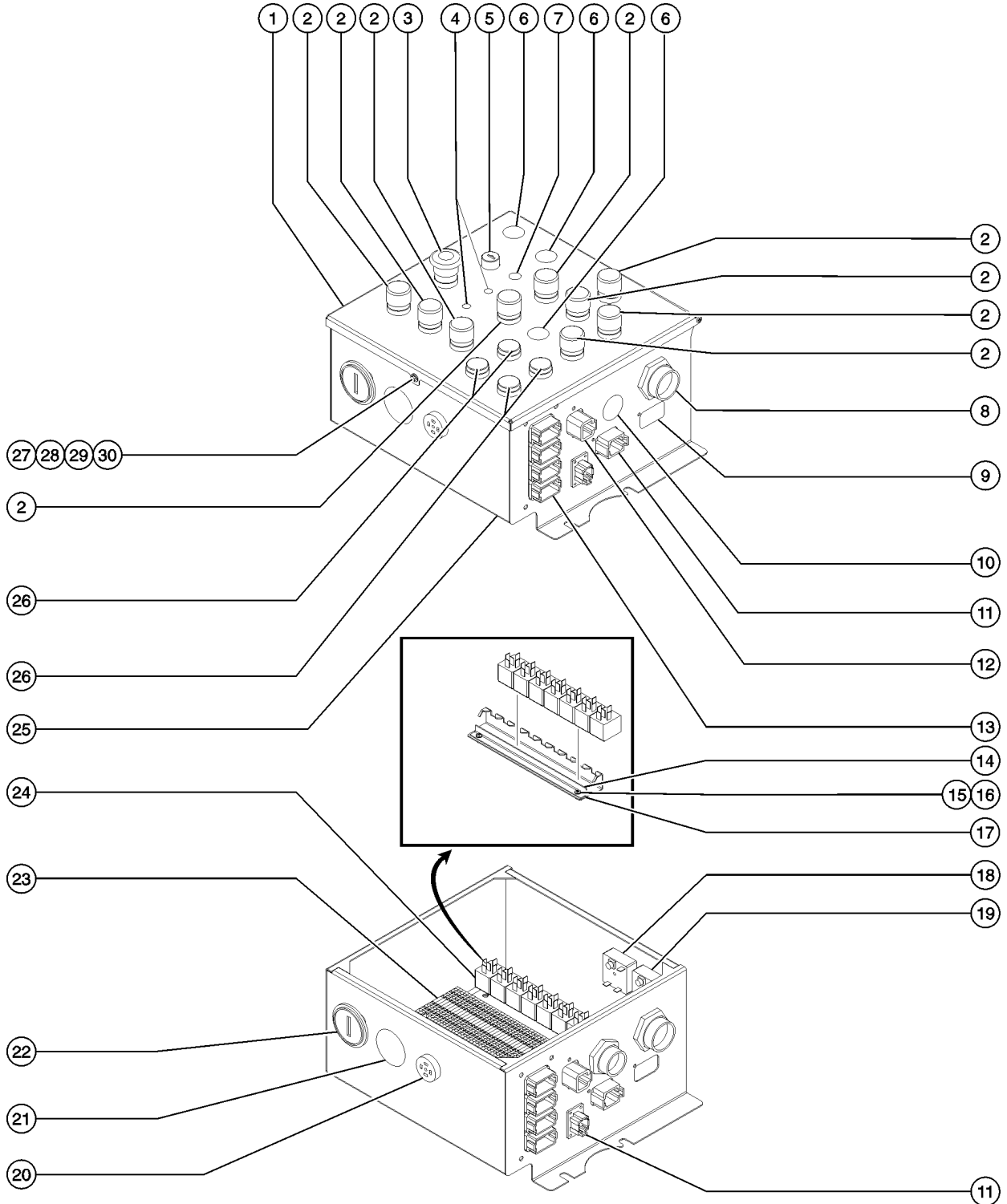


306.1 Electrical Diagram, Lights



<i>Item</i>	<i>Part No.</i>	<i>Description</i>	<i>Qty.</i>
A-	58253GT	KIT,REPAIR,DEUTSCH PLUG,W/TUBE (6 wire connector kit)	1
B-	83129GT	CONNECTOR KIT,DEUTSCH*** (universal connector kit)	1
D-	219307GT	HARNESS ASSY, LIGHT, TZ-50 CE	1
1	105428GT	HARNESS,LIGHT ANSI TZ50 (ANSI, CSA)	1
2	105429GT	HARNESS,LIGHT,MAST US TZ50 (ANSI, CSA)	1
3	105430GT	HARNESS,LIGHT,ANSI PLAT TZ50	1

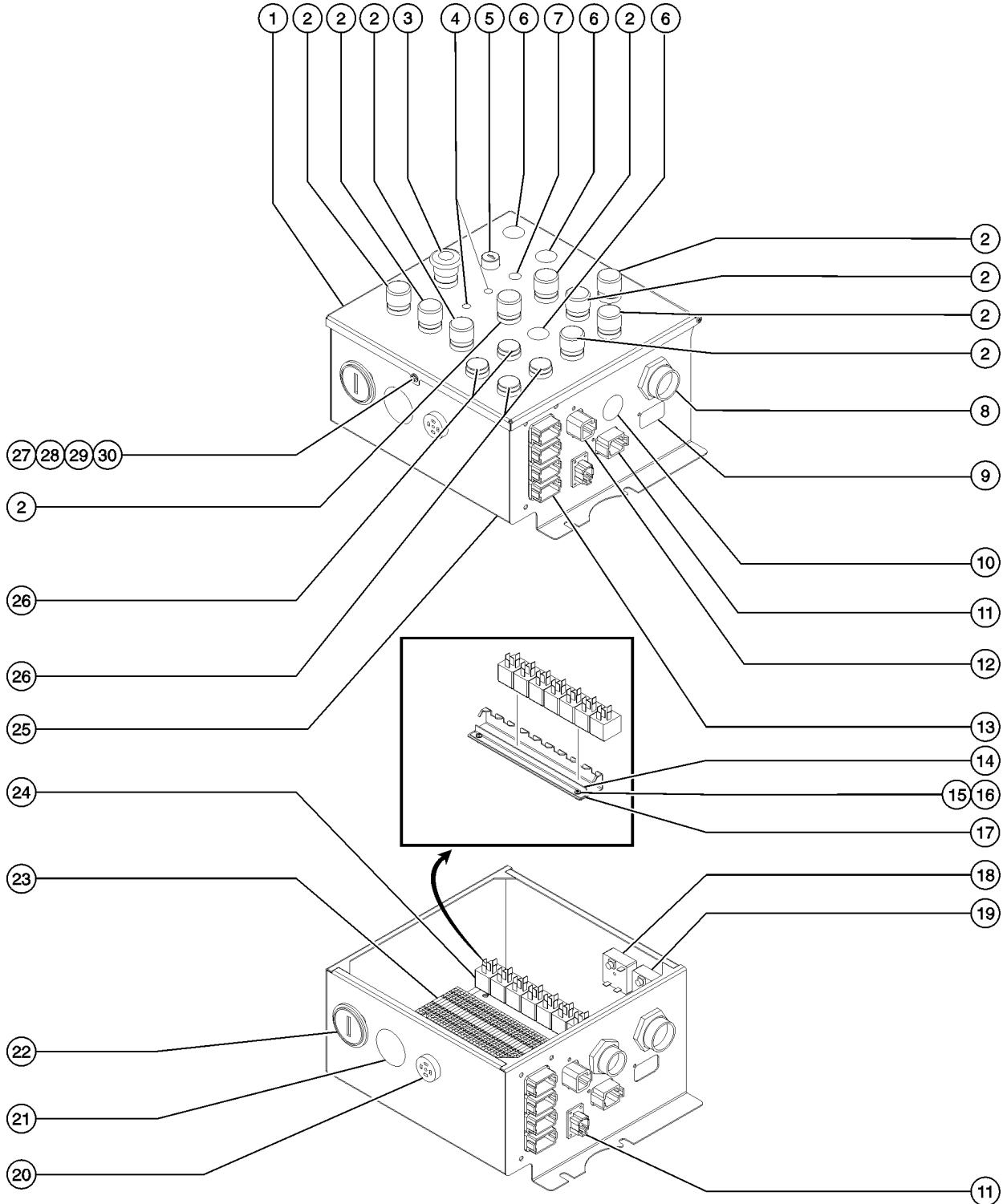
307.1 Ground Controls



Item	Part No.	Description	Qty.
1	1300153GT	CONTROL BOX, LOWER, W/HARDWARE, TZ-50	1
1-	1271707GT	PLATE, FORMED, CONTROL BOX, LID	1
2	66813GT	BUTTON,PUSH,BLACK W/SEAL***	13
3	226322GT	ASM, E-STOP & BOOT	1
4	21858GT	PLUG,NYLON .38 BLACK DOMED	2
5	96008GT	KEYSWITCH,3 POS. W/KEYS***	1
6	15243GT	PLUG,NYLON .875 BLACK DOMED	3
7	45384GT	PLUG,NYLON .50 BLACK DOMED	1
8	104101GT	CONNECTOR,PLUG 21 WAY	1
9	104531GT	PLATE,PLUG COVER,8-12 WAY	1
10	94520GT	PLUG,NYLON,1.5,BLCK DOMED	1
11	87755GT	CONN, RECEP, 8 WAY, DEUTSCH, DT, GRAY/FLANGE	2
12	73717GT	CONN, RECEP, 4 WAY, DEUTSCH, DTP, FLANGE	1
13	73736GT	CONN,RECEP 48 WAY,4 X 12	4
14	1275647GT	FORMING,RELAY HOLDER,SLOTTED,TZ50,LWR	2
15	49818GT	SCREW,PHILLIPS,PHM,10-32 X .38	4
16	23405GT	NUTSERT,10-32 STEEL CAD PLTD	4
17	1274353GT	MOUNT,RELAY,TZ CTRL BOX, LOWER	2
18	104099GT	MODULE,TIME DELAY	1
19	99084GT	MODULE, TIME DELAY	1
20	45383GT	ALARM,WARBLE TONE 5-30 VDC***	1
21	45840GT	PLUG,NYLON 2.00 BLACK DOMED	1
22	19506GT	HOUR METER, 10-80 VOLTS***	1
23	104093GT	TERMINAL RAIL	1
24	56302GT	RELAY,24VDC,40/30A,SEALED***	18
25	1289868GT	CONTROL BOX,LOWER,METALTZ50	1
26	109804GT	BUTTON,PUSH,GREEN,ASSEMBLY***	4
27	824059GT	SCREW, HHC, 1/4-20 X .75, 8, ZAG	1



307.1 Ground Controls

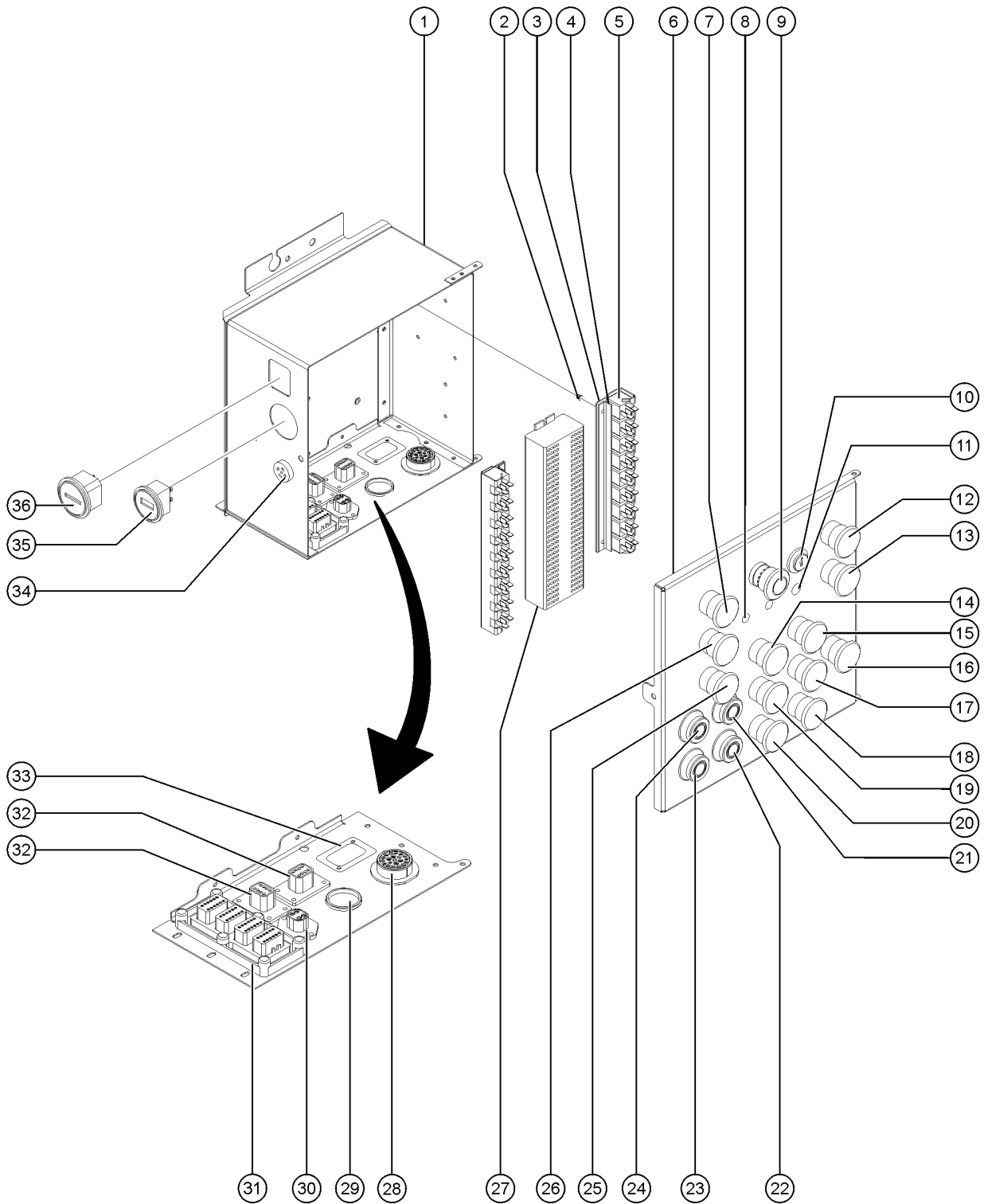


307.1 Ground Controls

<i>Item</i>	<i>Part No.</i>	<i>Description</i>	<i>Qty.</i>
28	824109GT	WASHER, LOCK, 1/4, ZAG	1
29	824113GT	WASHER,FLAT,USS,1/4,ZAG	1
30	25969GT	SPRING CLIP, 1/4-20 BLACK	1



308.1 Ground Control Box - ANSI, CSA Models with no Load Sense

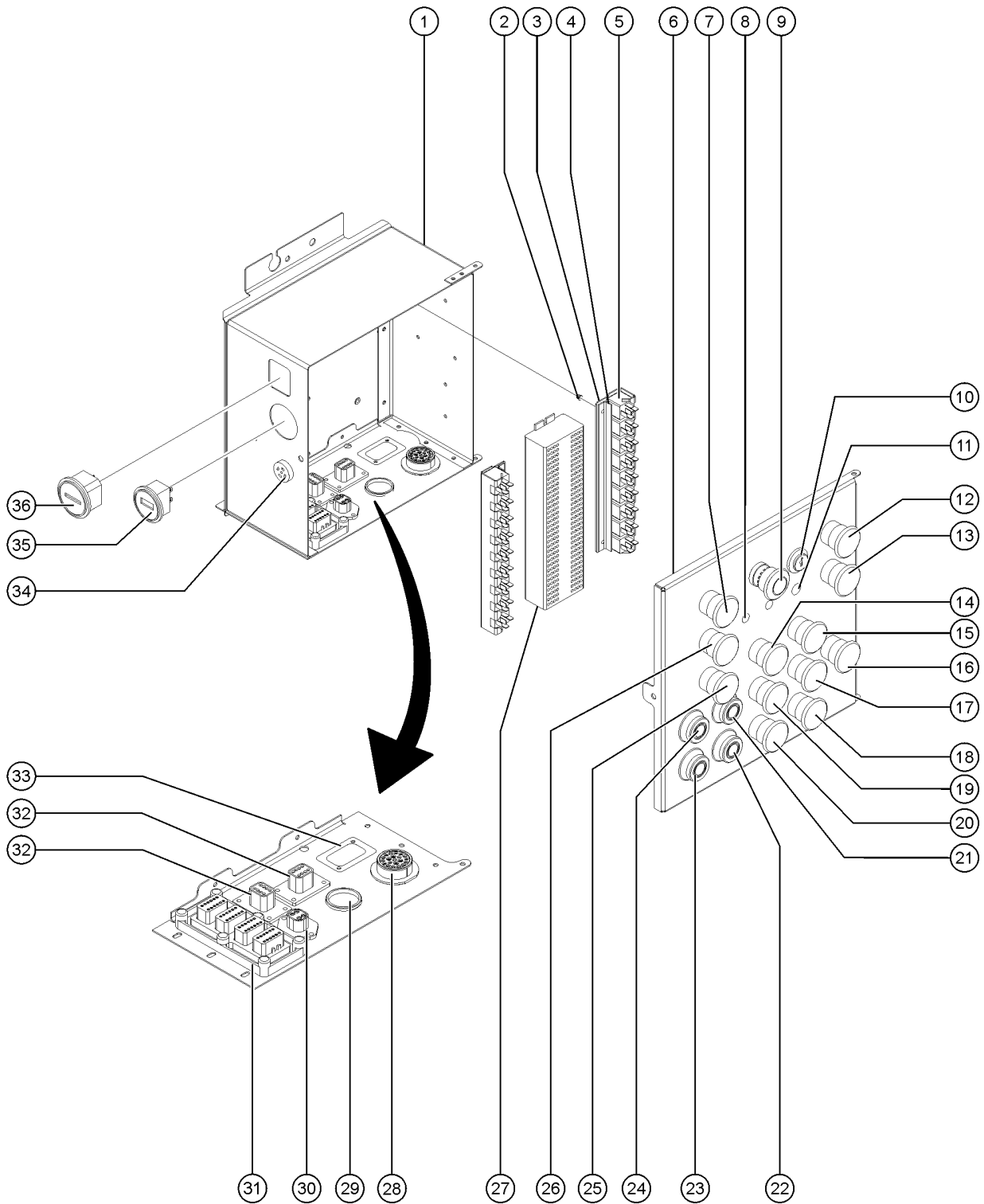


308.1 Ground Control Box - ANSI, CSA Models with no Load Sense

Item	Part No.	Description	Qty.
-	1287098GT	CONTROL BOX, TZ50,LOWER,NO LOAD (complete)	1
1	1289868GT	CONTROL BOX,LOWER,METALTZ50 (includes items 2-4 and 6)	1
2	23405GT	NUTSERT,10-32 STEEL CAD PLTD (part of item 1)	4
3	1274353GT	MOUNT,RELAY,TZ CTRL BOX, LOWER (part of item 1)	2
4	1275647GT	FORMING,RELAY HOLDER,SLOTTED,TZ50,LWR (part of item 1)	2
5	56302GT	RELAY,24VDC,40/30A,SEALED***	18
6	1301145GT	LID ASSEMBLY, LOWER CONTROL BOX,TZ (part of item 1)	1
6A	69773GT	SEAL,RIBBED FOAM,3/8X1/8 PSA** 49 inches	1
6B	824059GT	SCREW, HHC, 1/4-20 X .75, 8, ZAG to secure the lid closed	1
6B	824109GT	WASHER, LOCK, 1/4, ZAG for 824059	1
6B	824113GT	WASHER,FLAT,USS,1/4,ZAG for 824059	1
6B	56912GT	SPRING CLIP,1/4-20,.025-.15X.54,ZAG for 824059	1
6B	25969GT	SPRING CLIP, 1/4-20 BLACK for 824059	1
7	226320GT	ASM, BUTTON & BOOT, BLK	1
8	21858GT	PLUG,NYLON .38 BLACK DOMED	2
9	226322GT	ASM, E-STOP & BOOT	1
10	96008-SGT	KEYSWITCH,3 POS. W/KEYS***	1
11	45384GT	PLUG,NYLON .50 BLACK DOMED	1
12	226320GT	ASM, BUTTON & BOOT, BLK	1
12A-	66815GT	BASE, W/1 N.O. CONTACTS***	
12B	15243GT	PLUG,NYLON .875 BLACK DOMED	1
13	226320GT	ASM, BUTTON & BOOT, BLK	1
13A-	66815GT	BASE, W/1 N.O. CONTACTS***	
13B	15243GT	PLUG,NYLON .875 BLACK DOMED	1
14	226320GT	ASM, BUTTON & BOOT, BLK	1
15	226320GT	ASM, BUTTON & BOOT, BLK	1
16	226320GT	ASM, BUTTON & BOOT, BLK	1
17	226320GT	ASM, BUTTON & BOOT, BLK	1



308.1 Ground Control Box - ANSI, CSA Models with no Load Sense

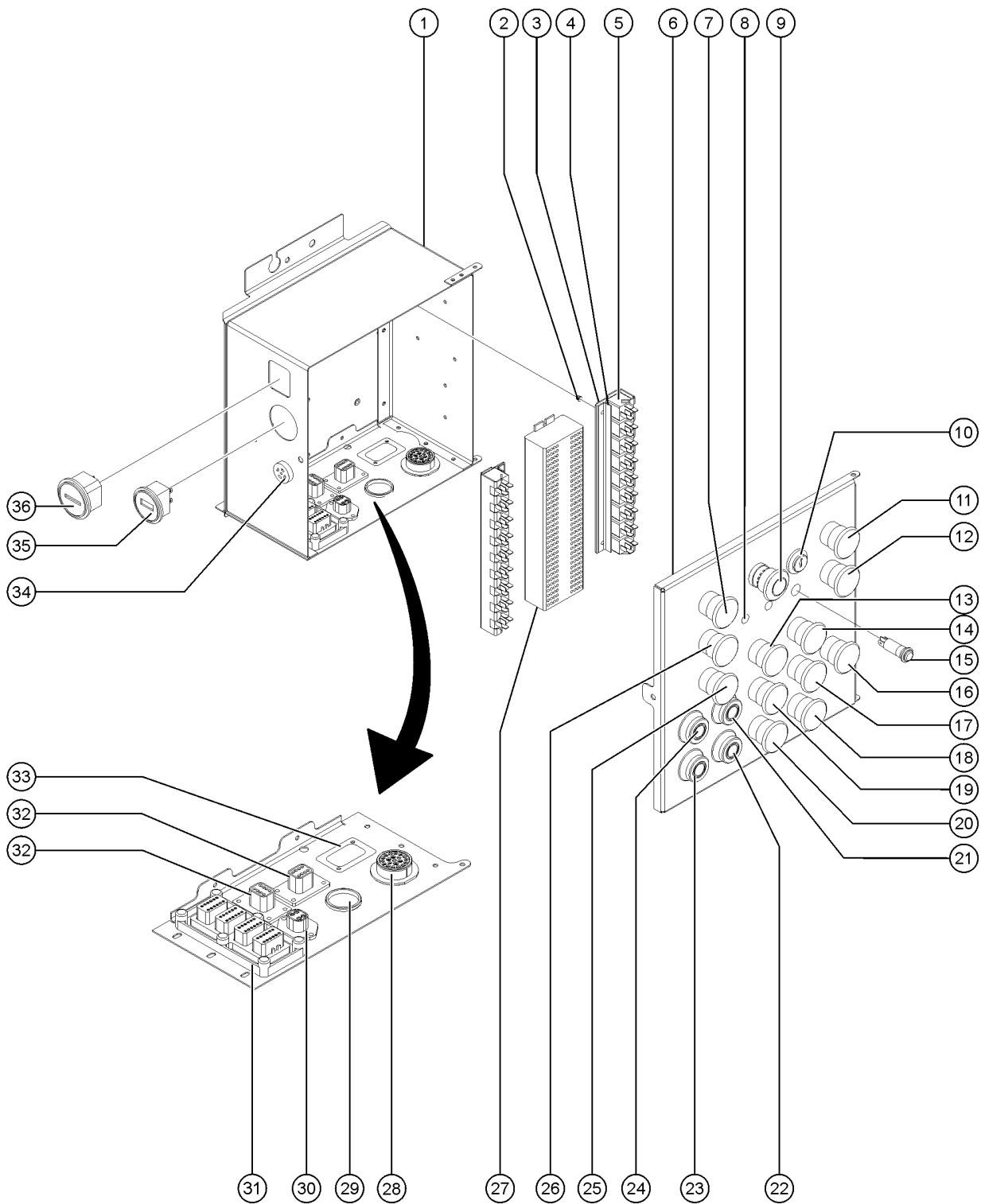


308.1 Ground Control Box - ANSI, CSA Models with no Load Sense

<i>Item</i>	<i>Part No.</i>	<i>Description</i>	<i>Qty.</i>
18	226320GT	ASM, BUTTON & BOOT, BLK	1
19	226320GT	ASM, BUTTON & BOOT, BLK	1
19A-	66815GT	BASE, W/1 N.O. CONTACTS***	
19B	15243GT	PLUG,NYLON .875 BLACK DOMED	1
20	226320GT	ASM, BUTTON & BOOT, BLK	1
21	109804GT	BUTTON,PUSH,GREEN,ASSEMBLY***	1
22	109804GT	BUTTON,PUSH,GREEN,ASSEMBLY***	1
23	109804GT	BUTTON,PUSH,GREEN,ASSEMBLY***	1
24	109804GT	BUTTON,PUSH,GREEN,ASSEMBLY***	1
25	226320GT	ASM, BUTTON & BOOT, BLK	1
26	226320GT	ASM, BUTTON & BOOT, BLK	1
27	104093GT	TERMINAL RAIL	1
28	104101GT	CONNECTOR,PLUG 21 WAY	1
29	94520GT	PLUG,NYLON,1.5,BLCK DOMED	1
30	73717GT	CONN, RECEP, 4 WAY, DEUTSCH, DTP, FLANGE	1
31	73736GT	CONN,RECEP 48 WAY,4 X 12	1
32	87755GT	CONN, RECEP, 8 WAY, DEUTSCH, DT, GRAY/FLANGE	2
33	104531GT	PLATE,PLUG COVER,8-12 WAY	1
34	45383GT	ALARM,WARBLE TONE 5-30 VDC***	1
35	76647GT	INDICATOR, BATTERY DISCHARGE	1
35B	45840GT	PLUG,NYLON 2.00 BLACK DOMED	1
36	19506GT	HOUR METER, 10-80 VOLTS***	1



309.1 Ground Control Box - ANSI, CSA Models with Load Sense

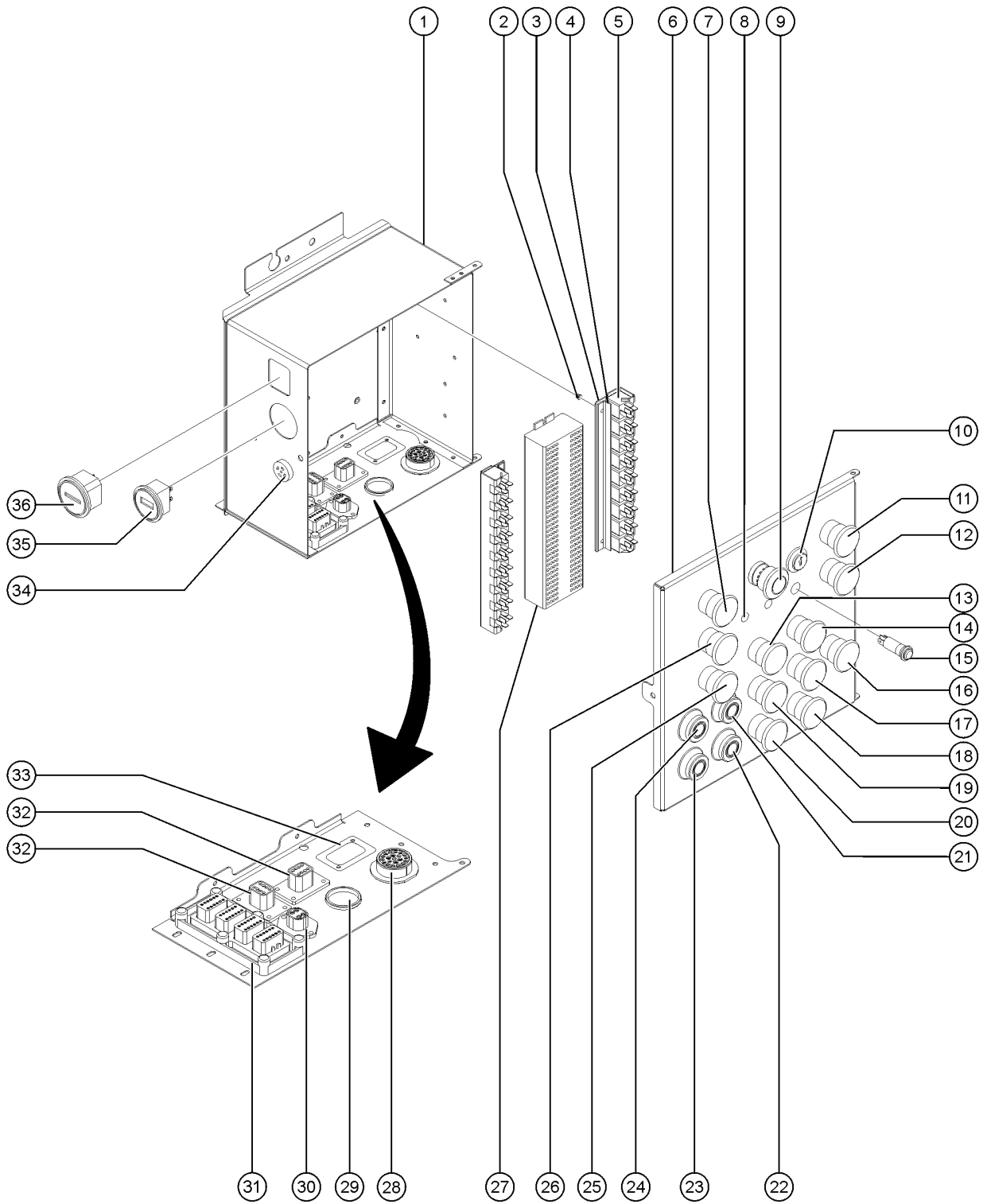


309.1 Ground Control Box - ANSI, CSA Models with Load Sense

Item	Part No.	Description	Qty.
-	1287099GT	CONTROL BOX, TZ50,LOWER,LOAD (complete)	1
1	1289868GT	CONTROL BOX,LOWER,METALTZ50 (includes items 2-4 and 6)	1
2	23405GT	NUTSERT,10-32 STEEL CAD PLTD (part of item 1)	4
3	1274353GT	MOUNT,RELAY,TZ CTRL BOX, LOWER (part of item 1)	2
4	1275647GT	FORMING,RELAY HOLDER,SLOTTED,TZ50,LWR (part of item 1)	2
5	56302GT	RELAY,24VDC,40/30A,SEALED***	18
6	1301145GT	LID ASSEMBLY, LOWER CONTROL BOX,TZ (part of item 1)	1
6A	69773GT	SEAL,RIBBED FOAM,3/8X1/8 PSA** 49 inches	1
6B	824059GT	SCREW, HHC, 1/4-20 X .75, 8, ZAG to secure the lid closed	1
6B	824109GT	WASHER, LOCK, 1/4, ZAG for 824059	1
6B	824113GT	WASHER,FLAT,USS,1/4,ZAG for 824059	1
6B	25969GT	SPRING CLIP, 1/4-20 BLACK for 824059	1
7	226320GT	ASM, BUTTON & BOOT, BLK	1
8	21858GT	PLUG,NYLON .38 BLACK DOMED	2
9	226322GT	ASM, E-STOP & BOOT	1
10	96008-SGT	KEYSWITCH,3 POS. W/KEYS***	1
11	226320GT	ASM, BUTTON & BOOT, BLK	1
11A-	66815GT	BASE, W/1 N.O. CONTACTS***	
11B	15243GT	PLUG,NYLON .875 BLACK DOMED	1
12	226320GT	ASM, BUTTON & BOOT, BLK	1
12A-	66815GT	BASE, W/1 N.O. CONTACTS***	
12B	15243GT	PLUG,NYLON .875 BLACK DOMED	1
13	226320GT	ASM, BUTTON & BOOT, BLK	1
14	226320GT	ASM, BUTTON & BOOT, BLK	1
15	99088GT	LED,RED 24V FLASHING	1
15B	45384GT	PLUG,NYLON .50 BLACK DOMED	1
16	226320GT	ASM, BUTTON & BOOT, BLK	1
17	226320GT	ASM, BUTTON & BOOT, BLK	1



309.1 Ground Control Box - ANSI, CSA Models with Load Sense

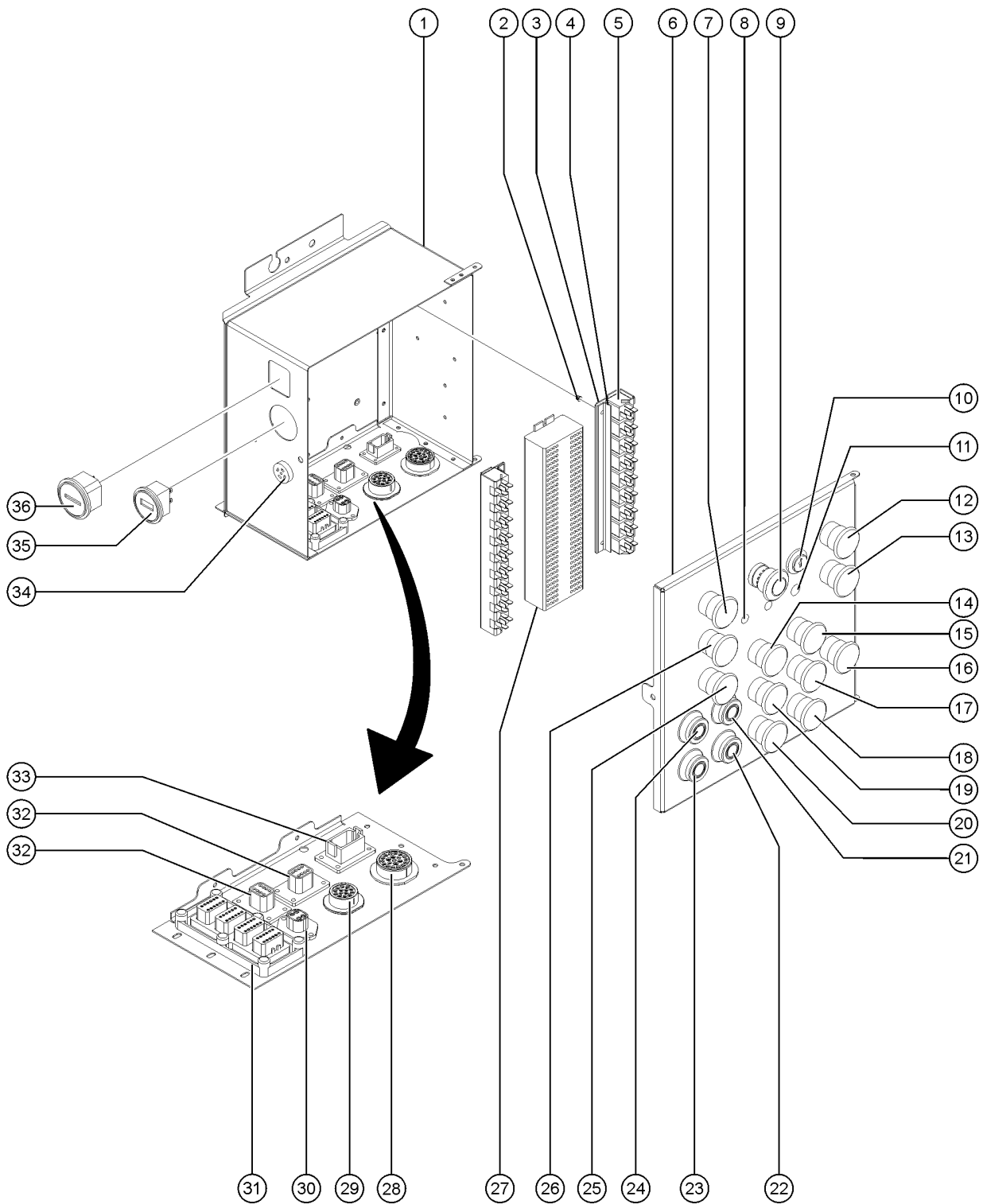


309.1 Ground Control Box - ANSI, CSA Models with Load Sense

<i>Item</i>	<i>Part No.</i>	<i>Description</i>	<i>Qty.</i>
18	226320GT	ASM, BUTTON & BOOT, BLK	1
19	226320GT	ASM, BUTTON & BOOT, BLK	1
19A-	66815GT	BASE, W/1 N.O. CONTACTS***	
19B	15243GT	PLUG,NYLON .875 BLACK DOMED	1
20	226320GT	ASM, BUTTON & BOOT, BLK	1
21	109804GT	BUTTON,PUSH,GREEN,ASSEMBLY***	1
22	109804GT	BUTTON,PUSH,GREEN,ASSEMBLY***	1
23	109804GT	BUTTON,PUSH,GREEN,ASSEMBLY***	1
24	109804GT	BUTTON,PUSH,GREEN,ASSEMBLY***	1
25	226320GT	ASM, BUTTON & BOOT, BLK	1
26	226320GT	ASM, BUTTON & BOOT, BLK	1
27	104093GT	TERMINAL RAIL	1
28	104101GT	CONNECTOR,PLUG 21 WAY	1
29	94520GT	PLUG,NYLON,1.5,BLCK DOMED	1
30	73717GT	CONN, RECEP, 4 WAY, DEUTSCH, DTP, FLANGE	1
31	73736GT	CONN,RECEP 48 WAY,4 X 12	1
32	87755GT	CONN, RECEP, 8 WAY, DEUTSCH, DT, GRAY/FLANGE	2
33	104531GT	PLATE,PLUG COVER,8-12 WAY	1
34	45383GT	ALARM,WARBLE TONE 5-30 VDC***	1
35	76647GT	INDICATOR, BATTERY DISCHARGE	1
35B	45840GT	PLUG,NYLON 2.00 BLACK DOMED	1
36	19506GT	HOUR METER, 10-80 VOLTS***	1



310.1 Ground Control Box - ANSI, CSA Models with no Load Sense and Drive

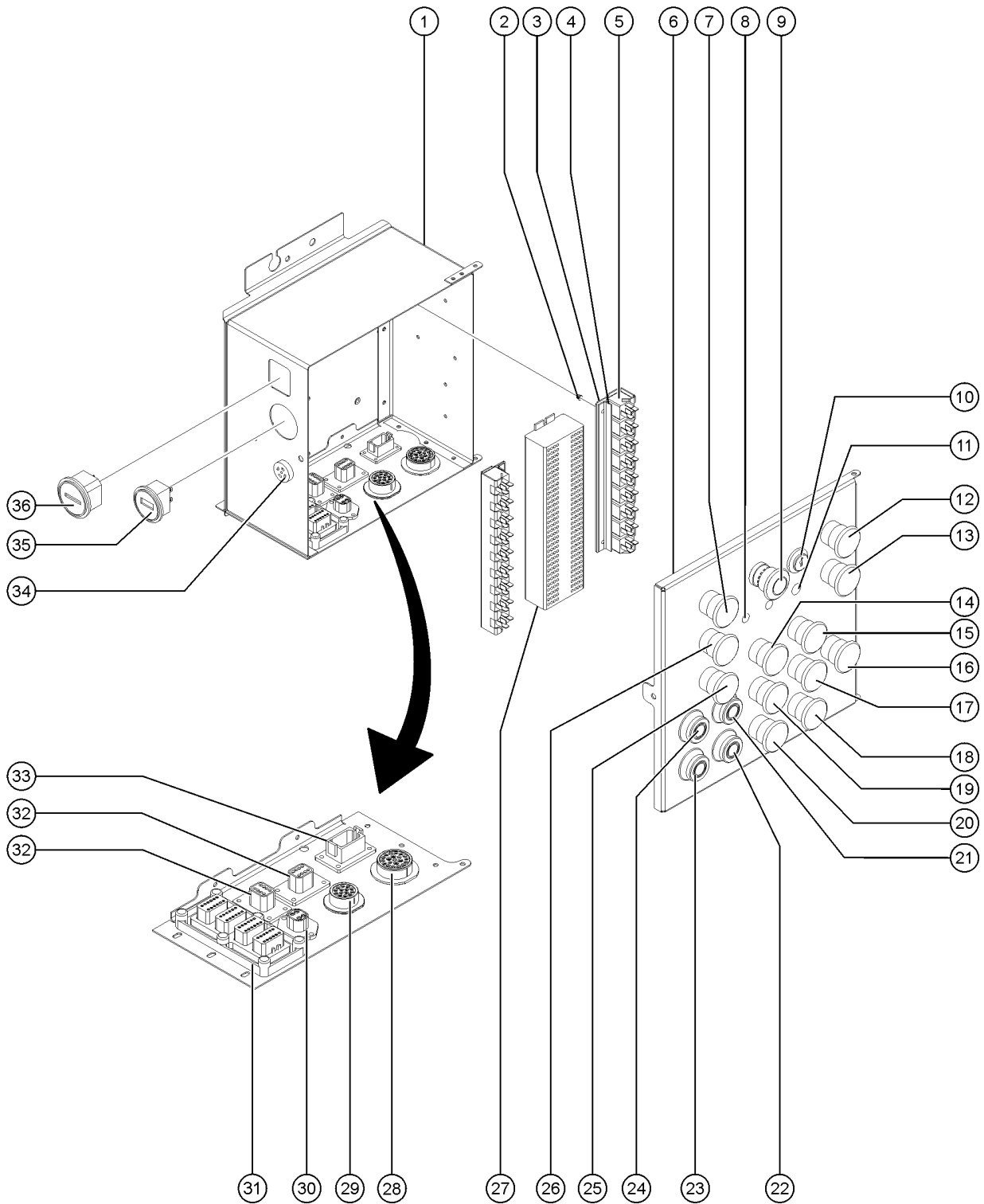


310.1 Ground Control Box - ANSI, CSA Models with no Load Sense and Drive

Item	Part No.	Description	Qty.
-	1290565GT	CONTROL BOX, TZ50,LOWER,NO LOAD SENSE, W/DRIVE (complete)	1
1	1289868GT	CONTROL BOX,LOWER,METALTZ50 (includes items 2-4 and 6)	1
2	23405GT	NUTSERT,10-32 STEEL CAD PLTD (part of item 1)	4
3	1274353GT	MOUNT,RELAY,TZ CTRL BOX, LOWER (part of item 1)	2
4	1275647GT	FORMING,RELAY HOLDER,SLOTTED,TZ50,LWR (part of item 1)	2
5	56302GT	RELAY,24VDC,40/30A,SEALED***	18
6	1301145GT	LID ASSEMBLY, LOWER CONTROL BOX,TZ (part of item 1)	1
6A	69773GT	SEAL,RIBBED FOAM,3/8X1/8 PSA** 49 inches	1
6B	824059GT	SCREW, HHC, 1/4-20 X .75, 8, ZAG to secure the lid closed	1
6B	824109GT	WASHER, LOCK, 1/4, ZAG for 824059	1
6B	824113GT	WASHER,FLAT,USS,1/4,ZAG for 824059	1
6B	25969GT	SPRING CLIP, 1/4-20 BLACK for 824059	1
7	226320GT	ASM, BUTTON & BOOT, BLK	1
8	21858GT	PLUG,NYLON .38 BLACK DOMED	2
9	226322GT	ASM, E-STOP & BOOT	1
10	96008-SGT	KEYSWITCH,3 POS. W/KEYS***	1
11	45384GT	PLUG,NYLON .50 BLACK DOMED	1
12	226320GT	ASM, BUTTON & BOOT, BLK	1
12A-	66815GT	BASE, W/1 N.O. CONTACTS***	
12B	15243GT	PLUG,NYLON .875 BLACK DOMED	1
13	226320GT	ASM, BUTTON & BOOT, BLK	1
13A-	66815GT	BASE, W/1 N.O. CONTACTS***	
13B	15243GT	PLUG,NYLON .875 BLACK DOMED	1
14	226320GT	ASM, BUTTON & BOOT, BLK	1
15	226320GT	ASM, BUTTON & BOOT, BLK	1
16	226320GT	ASM, BUTTON & BOOT, BLK	1
17	226320GT	ASM, BUTTON & BOOT, BLK	1
18	226320GT	ASM, BUTTON & BOOT, BLK	1



310.1 Ground Control Box - ANSI, CSA Models with no Load Sense and Drive

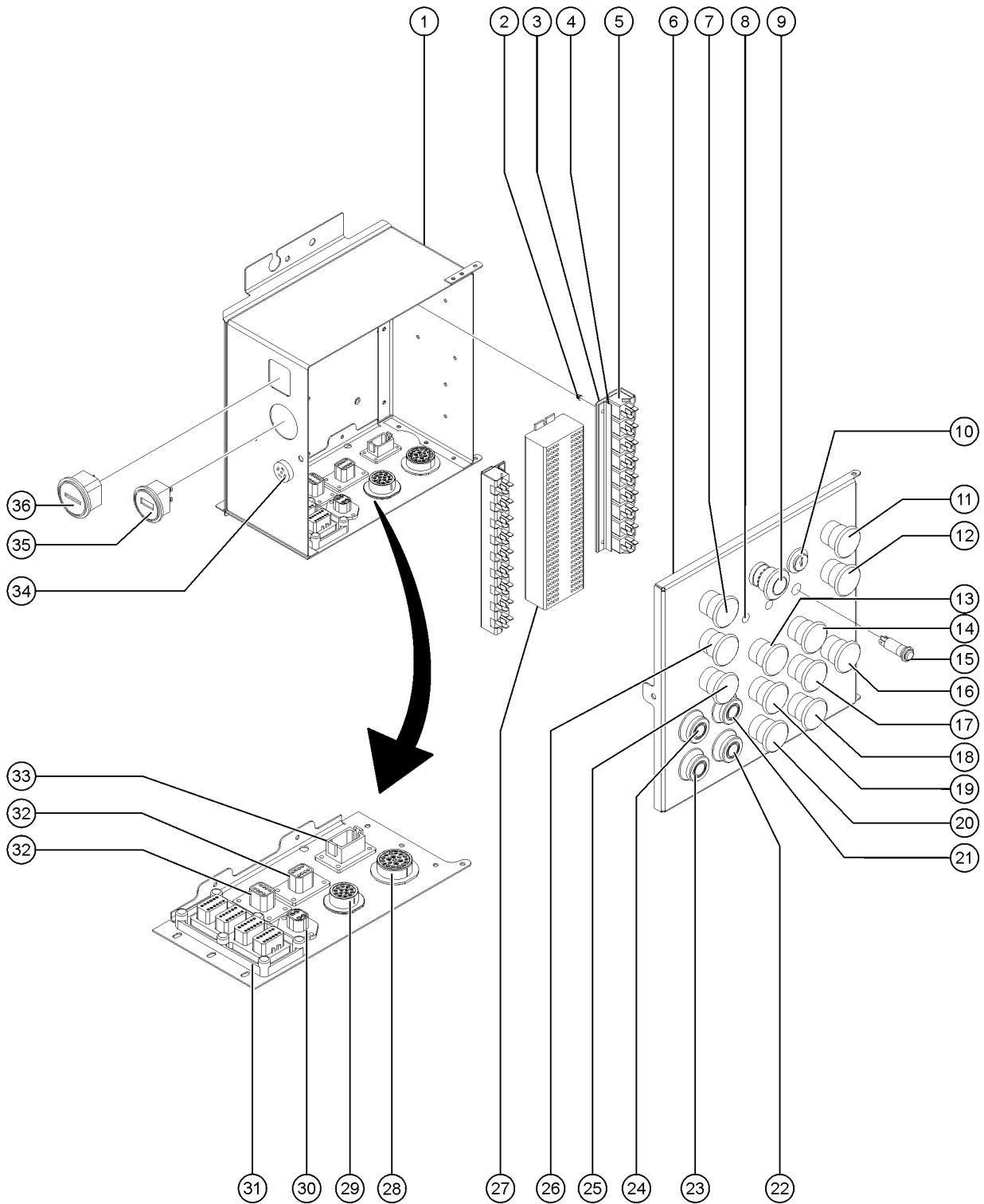


310.1 Ground Control Box - ANSI, CSA Models with no Load Sense and Drive

<i>Item</i>	<i>Part No.</i>	<i>Description</i>	<i>Qty.</i>
19	226320GT	ASM, BUTTON & BOOT, BLK	1
19A-	66815GT	BASE, W/1 N.O. CONTACTS***	
19B	15243GT	PLUG,NYLON .875 BLACK DOMED	1
20	226320GT	ASM, BUTTON & BOOT, BLK	1
21	109804GT	BUTTON,PUSH,GREEN,ASSEMBLY***	1
22	109804GT	BUTTON,PUSH,GREEN,ASSEMBLY***	1
23	109804GT	BUTTON,PUSH,GREEN,ASSEMBLY***	1
24	109804GT	BUTTON,PUSH,GREEN,ASSEMBLY***	1
25	226320GT	ASM, BUTTON & BOOT, BLK	1
26	226320GT	ASM, BUTTON & BOOT, BLK	1
27	104093GT	TERMINAL RAIL	1
28	104101GT	CONNECTOR,PLUG 21 WAY	1
29	87748GT	CONN,RECEP 14 WAY	1
29B	94520GT	PLUG,NYLON,1.5,BLCK DOMED	1
30	73717GT	CONN, RECEP, 4 WAY, DEUTSCH, DTP, FLANGE	1
31	73736GT	CONN,RECEP 48 WAY,4 X 12	1
32	87755GT	CONN, RECEP, 8 WAY, DEUTSCH, DT, GRAY/FLANGE	2
33	73733GT	CONN, RECEP, 12 WAY, DEUTSCH, DT, BLACK/FLANGE	1
33B	104531GT	PLATE,PLUG COVER,8-12 WAY	1
34	45383GT	ALARM,WARBLE TONE 5-30 VDC***	1
35	76647GT	INDICATOR, BATTERY DISCHARGE	1
35B	45840GT	PLUG,NYLON 2.00 BLACK DOMED	1
36	19506GT	HOUR METER, 10-80 VOLTS***	1



311.1 Ground Control Box - ANSI, CSA Models with Load Sense and Drive

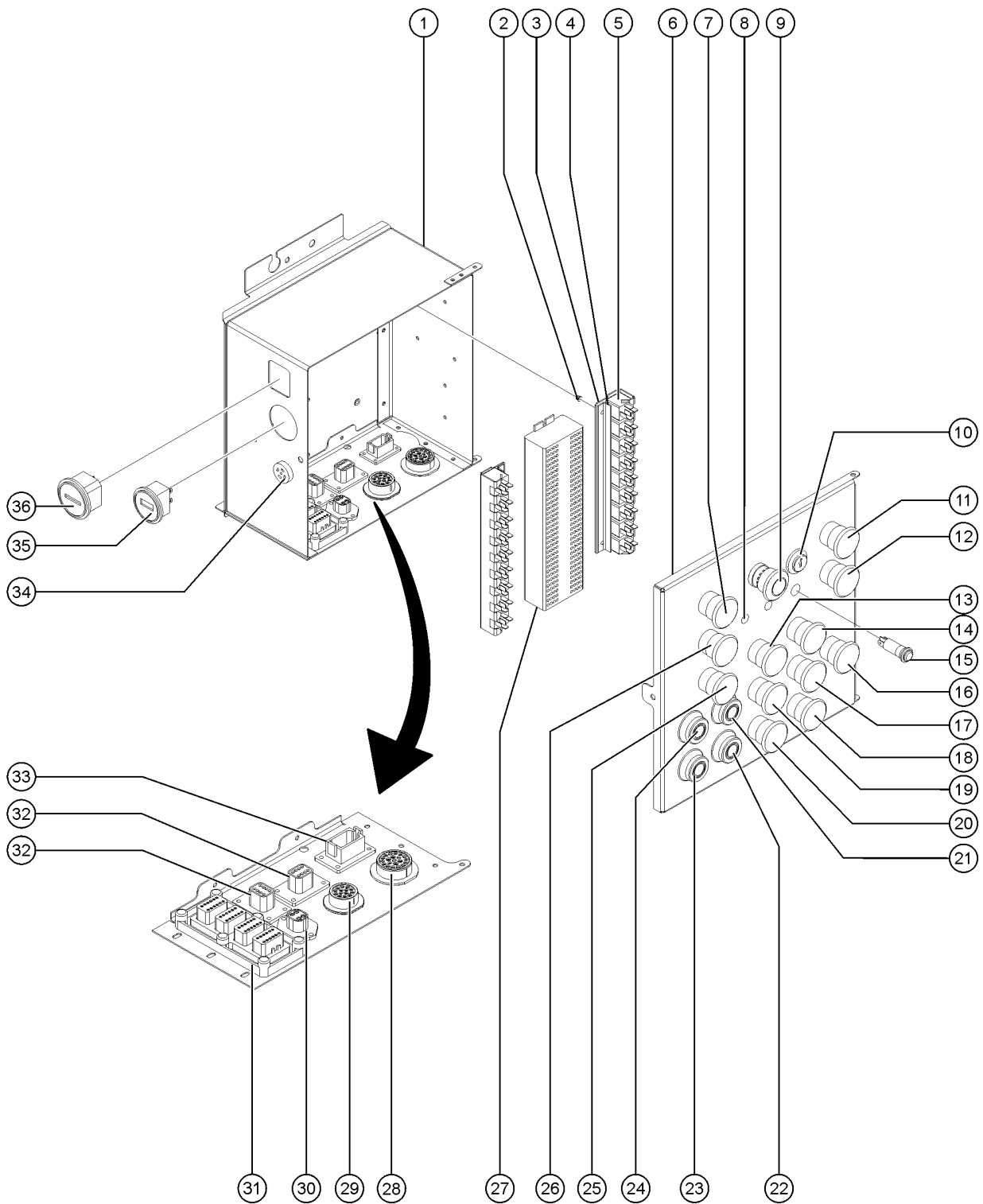


311.1 Ground Control Box - ANSI, CSA Models with Load Sense and Drive

Item	Part No.	Description	Qty.
-	1290566GT	CONTROL BOX, TZ50,LOWER,LOAD DRIVE (complete)	1
1	1289868GT	CONTROL BOX,LOWER,METALTZ50 (includes items 2-4 and 6)	1
2	23405GT	NUTSERT,10-32 STEEL CAD PLTD (part of item 1)	4
3	1274353GT	MOUNT,RELAY,TZ CTRL BOX, LOWER (part of item 1)	2
4	1275647GT	FORMING,RELAY HOLDER,SLOTTED,TZ50,LWR (part of item 1)	2
5	56302GT	RELAY,24VDC,40/30A,SEALED***	18
6	1301145GT	LID ASSEMBLY, LOWER CONTROL BOX,TZ (part of item 1)	1
6A	69773GT	SEAL,RIBBED FOAM,3/8X1/8 PSA** 49 inches	1
6B	824059GT	SCREW, HHC, 1/4-20 X .75, 8, ZAG to secure the lid closed	1
6B	824109GT	WASHER, LOCK, 1/4, ZAG for 824059	1
6B	824113GT	WASHER,FLAT,USS,1/4,ZAG for 824059	1
6B	25969GT	SPRING CLIP, 1/4-20 BLACK for 824059	1
7	226320GT	ASM, BUTTON & BOOT, BLK	1
8	21858GT	PLUG,NYLON .38 BLACK DOMED	2
9	226322GT	ASM, E-STOP & BOOT	1
10	96008-SGT	KEYSWITCH,3 POS. W/KEYS***	1
11	226320GT	ASM, BUTTON & BOOT, BLK	1
11A-	66815GT	BASE, W/1 N.O. CONTACTS***	
11B	15243GT	PLUG,NYLON .875 BLACK DOMED	1
12	226320GT	ASM, BUTTON & BOOT, BLK	1
12A-	66815GT	BASE, W/1 N.O. CONTACTS***	
12B	15243GT	PLUG,NYLON .875 BLACK DOMED	1
13	226320GT	ASM, BUTTON & BOOT, BLK	1
14	226320GT	ASM, BUTTON & BOOT, BLK	1
15	99088GT	LED,RED 24V FLASHING	1
15B	45384GT	PLUG,NYLON .50 BLACK DOMED	1
16	226320GT	ASM, BUTTON & BOOT, BLK	1
17	226320GT	ASM, BUTTON & BOOT, BLK	1



311.1 Ground Control Box - ANSI, CSA Models with Load Sense and Drive

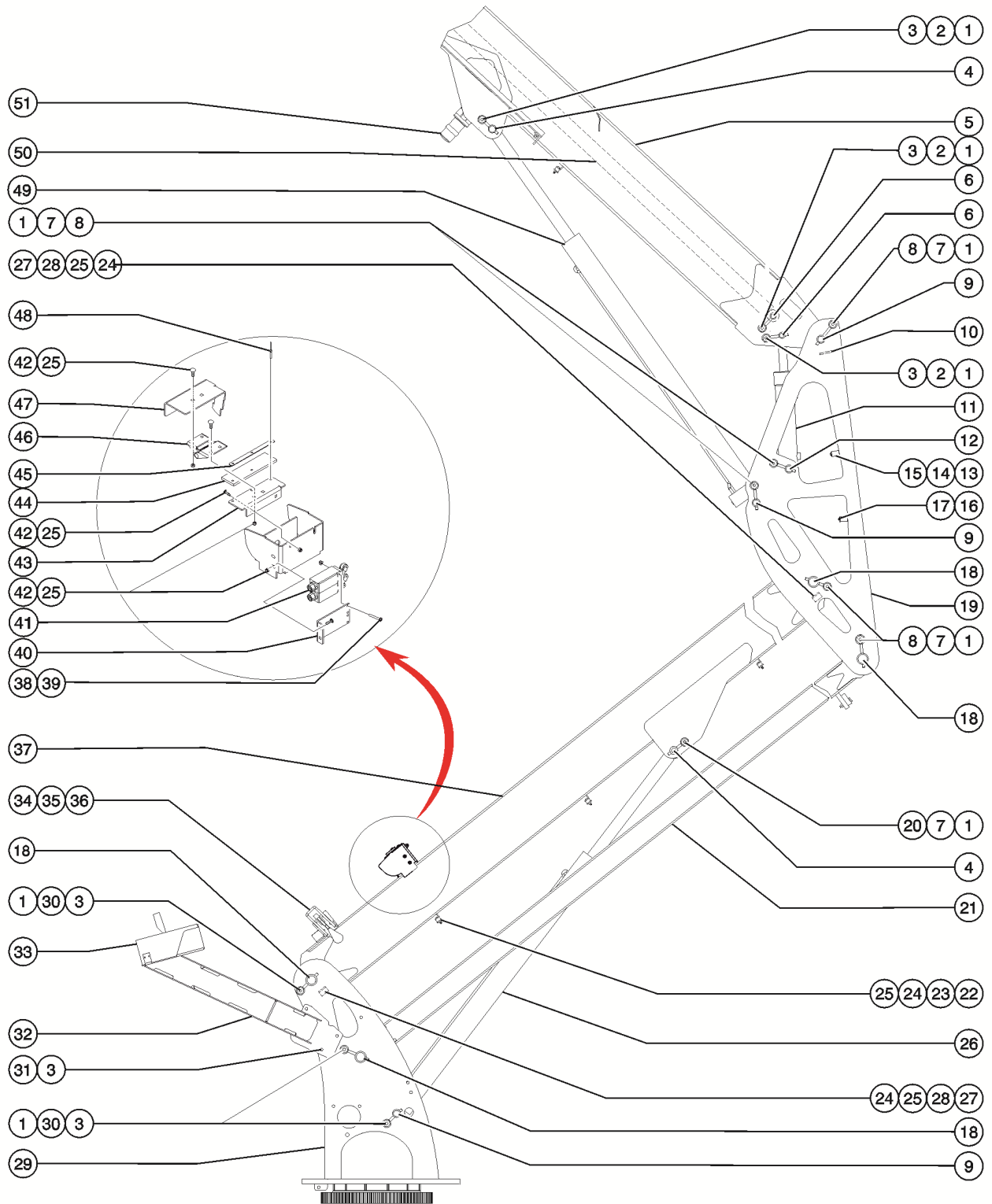


311.1 Ground Control Box - ANSI, CSA Models with Load Sense and Drive

Item	Part No.	Description	Qty.
18	226320GT	ASM, BUTTON & BOOT, BLK	1
19	226320GT	ASM, BUTTON & BOOT, BLK	1
19A-	66815GT	BASE, W/1 N.O. CONTACTS***	
19B	15243GT	PLUG,NYLON .875 BLACK DOMED	1
20	226320GT	ASM, BUTTON & BOOT, BLK	1
21	109804GT	BUTTON,PUSH,GREEN,ASSEMBLY***	1
22	109804GT	BUTTON,PUSH,GREEN,ASSEMBLY***	1
23	109804GT	BUTTON,PUSH,GREEN,ASSEMBLY***	1
24	109804GT	BUTTON,PUSH,GREEN,ASSEMBLY***	1
25	226320GT	ASM, BUTTON & BOOT, BLK	1
26	226320GT	ASM, BUTTON & BOOT, BLK	1
27	104093GT	TERMINAL RAIL	1
28	104101GT	CONNECTOR,PLUG 21 WAY	1
29	87748GT	CONN,RECEP 14 WAY	1
29B	94520GT	PLUG,NYLON,1.5,BLCK DOMED	1
30	73717GT	CONN, RECEP, 4 WAY, DEUTSCH, DTP, FLANGE	1
31	73736GT	CONN,RECEP 48 WAY,4 X 12	1
32	87755GT	CONN, RECEP, 8 WAY, DEUTSCH, DT, GRAY/FLANGE	2
33	73733GT	CONN, RECEP, 12 WAY, DEUTSCH, DT, BLACK/FLANGE	1
33B	104531GT	PLATE,PLUG COVER,8-12 WAY	1
34	45383GT	ALARM,WARBLE TONE 5-30 VDC***	1
35	76647GT	INDICATOR, BATTERY DISCHARGE	1
35B	45840GT	PLUG,NYLON 2.00 BLACK DOMED	1
36	19506GT	HOUR METER, 10-80 VOLTS***	1



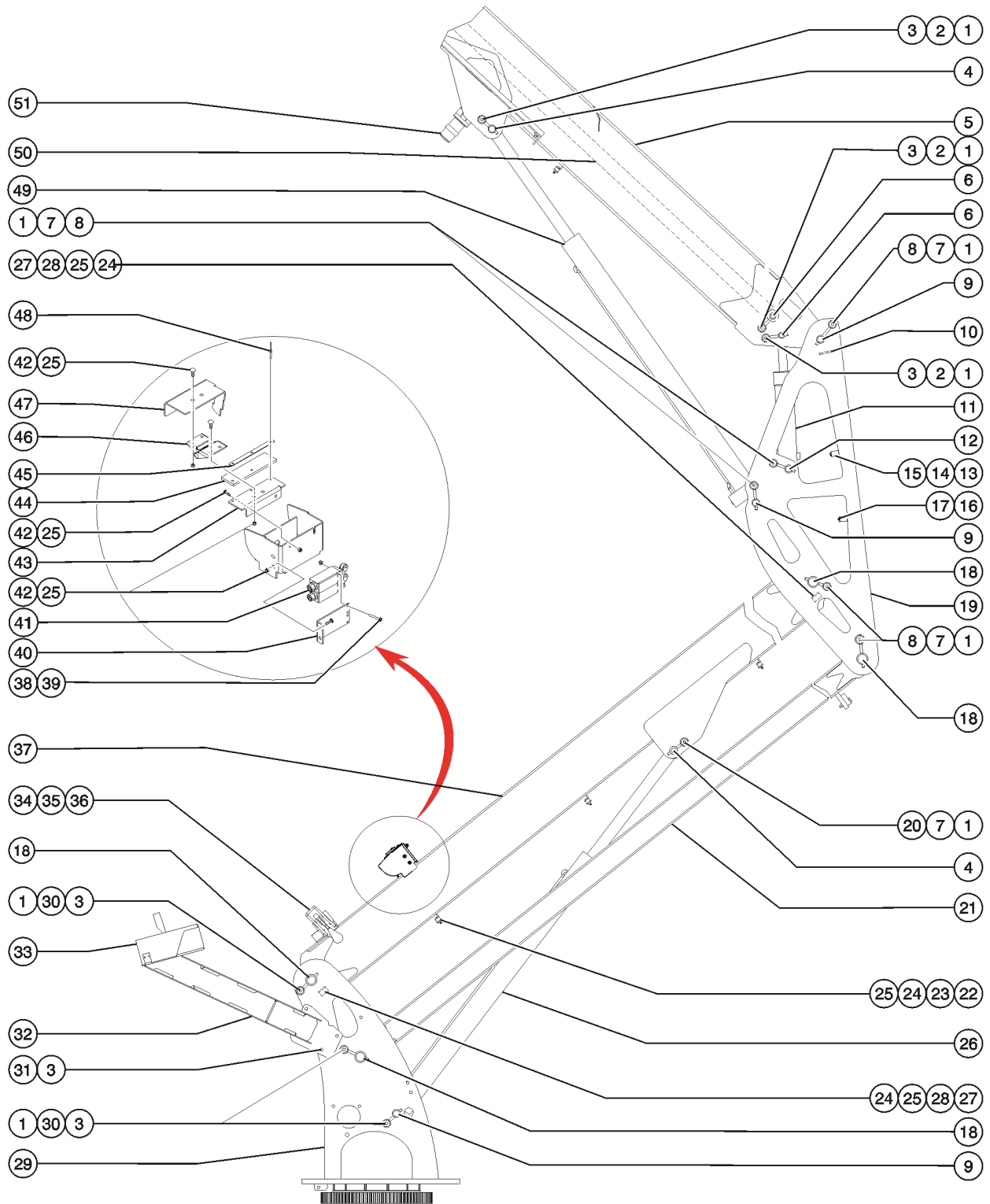
401.1 Lift Structure - View 1



Item	Part No.	Description	Qty.
1	825019GT	ROD END, .375X3.69, ZAG	12
2	1256118GT	SCREW,HHC,3/8-16X1.5,8,ZAG	3
3	1274322GT	NUT,NYLOCK FLG,3/8-16,F,ZAG	9
4	236646GT	PIN, 1.25 DIA X 8.00 LG, 1 HOLE	2
5	109705GT	WELDMENT, PRIMARY BOOM	1
6	104607GT	PIN,1.00DIA X 7.70LG,1HOLE	2
7	824094GT	SCREW, HHF, 3/8-16 X 2.75, 8, ZAG	6
8	1274166GT	NUT,NYLOCK,3/8-16,C,ZAG	5
9	104609GT	PIN,1.25DIA X 9.86LG,CHAMFER	3
10	87073GT	GROMMET,RUBBER 3 X .25 X 3.5	1
11		Platform Level Master Cylinder Refer 604.1	1
12	104610GT	PIN,1.00DIA X 9.45LG,1 HOLE	1
13	1303330GT	BLOCK, 4 HOSE CLAMP	2
14	1303331GT	BLOCK, 2 HOSE AND 5 CABLE CLAMP	2
15	104672GT	PLATE,HOSE CLAMP***	2
16	1258676GT	BOLT,CARRIAGE,1/4-20X2.5,5,ZAG	4
17	1274165GT	NUT,NYLOCK,1/4-20,C,ZAG	4
18	104606GT	PIN,1.75DIA X 9.86LG,CHAMFER	4
19	99620GT	WELDMENT,MID PIVOT	1
20	1257628GT	NUT,SERRATED,3/8-16,ZAG	1
21	99610GT	WELDMENT,TENSION BAR	1
22	104660GT	BLOCK,6 TUBE CLAMP***	4
23	99940GT	PLATE,TUBE AND HOSE CLAMP	4
24	1256463GT	BOLT,CARRIAGE,1/4-20X1.25,5,ZAG	10
25	1277924GT	NUT,NYLOCK FLG,1/4-20,F,ZAG	18
26		Ref. Lift Cylinder (refer to 604.1)	
27	104661GT	BLOCK,6 CABLE CLAMP***	2
28	104662GT	PLATE,CLAMP***	2



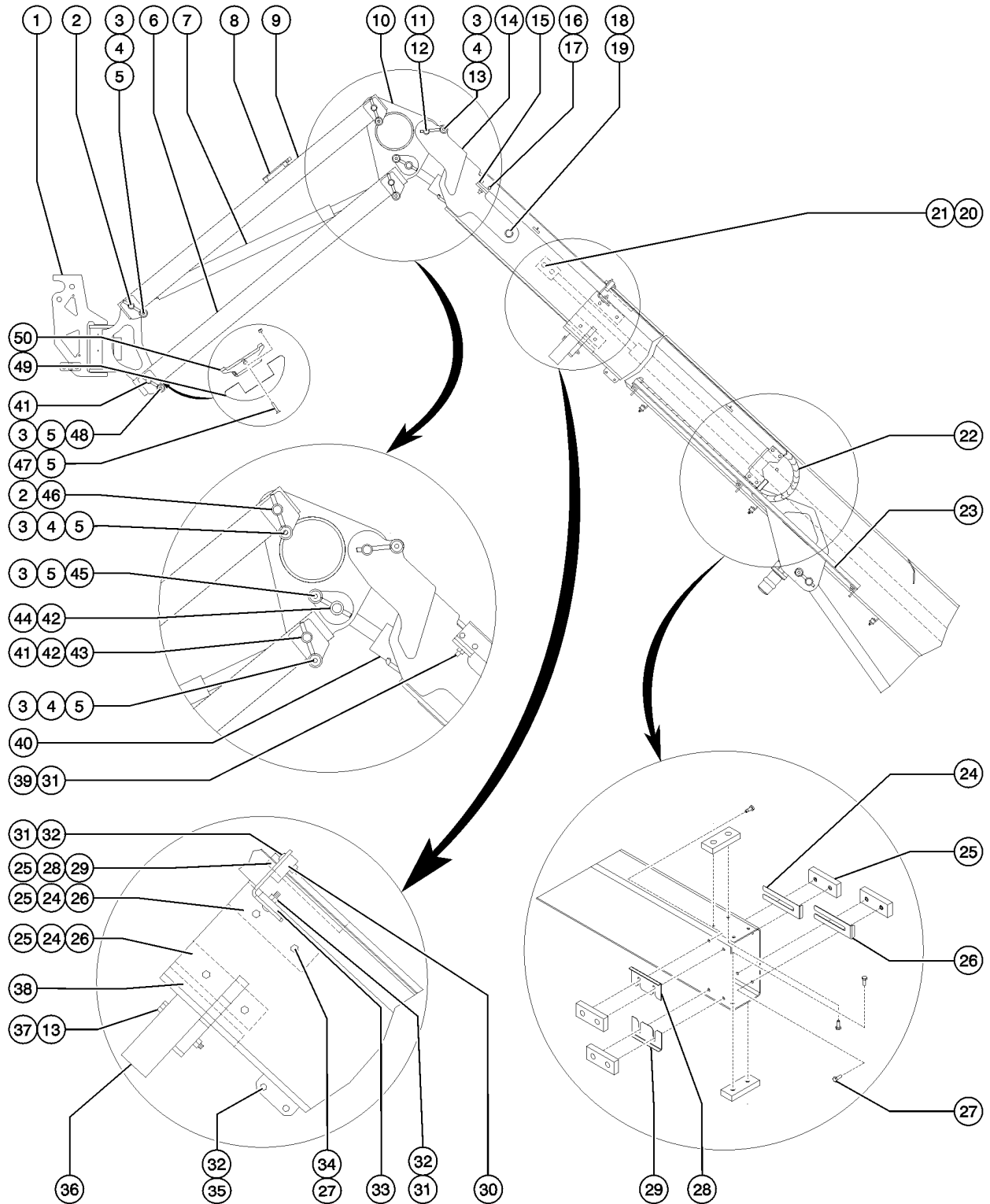
401.1 Lift Structure - View 1



Item	Part No.	Description	Qty.
29	99715GT	WELDMENT,TURNTABLE	1
30	824092GT	SCREW, HHF, 3/8-16 X 1.5, 8, ZAG	3
31	824091GT	SCREW, HHF, 3/8-16 X 1.25, 8, ZAG	3
32	104727GT	WELDMENT, DRIVE BOX MOUNT***	1
33		Ref. Drive Controls	
		(refer to 404.1)	
34	43456GT	CLAMP,TOGGLE,MAST HOLD DOWN	1
35	824085GT	SCREW, HHF, 5/16-18 X .75, 8, ZAG	4
36	1274167GT	NUT,NYLOCK FLG,5/16-18,F,ZAG	
37	105270GT	WELDMENT,SECONDARY BOOM***	1
38	824216GT	SCREW, PHPM, 10-32 X 1.5, ZAG	4
39	1274168GT	NUT,NYLOCK,10-32,A,ZAG	4
40	105235GT	FORMING,LIMIT SWITCH MOUNT**	1
41	105257GT	LIMIT SWITCH,DUAL W/HARNESS***	1
42	824124GT	BOLT, CARRIAGE, 1/4-20 X .75, 5, ZAG	6
43	105249GT	FORMING,HINGE MOUNT**	1
44	105274GT	COVER,DUST,RUBBER,NEOPRENE	1
45	105276GT	PLATE,COVER MOUNT (RETRO)**	1
46	104804GT	HINGE, SPRING, LONG LEG	1
47	105236GT	FORMING,LIMIT SWITCH ACT**	1
48	41695GT	RIVET,STL,STL,.188 X .50	3
49		Ref. Lift Cylinder	
		(refer to 604.1)	
50		Ref. Extension Cylinder	
		(refer to 402.1)	
51		Flashing Beacon	
		refer to 701.1)	



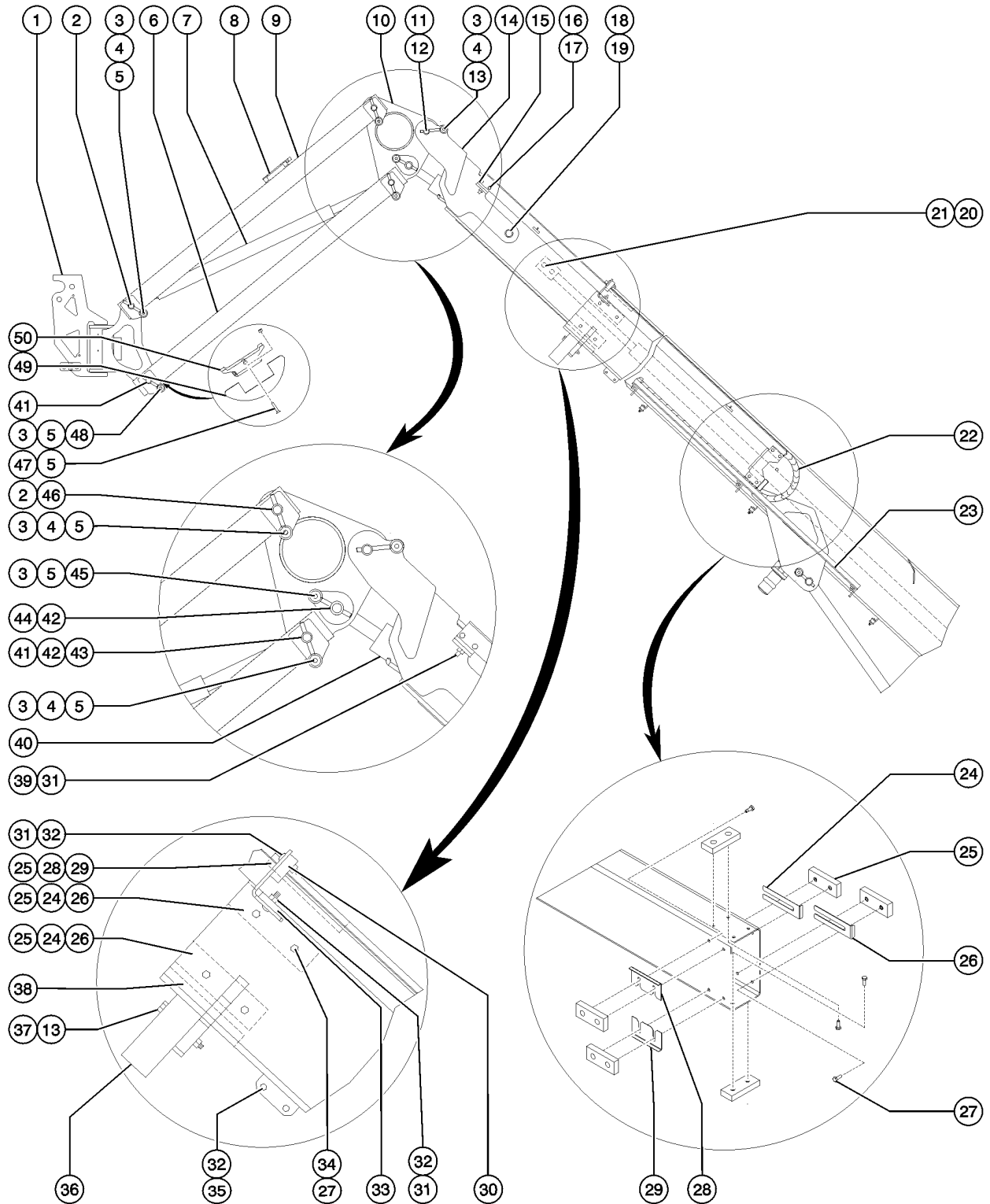
402.1 Lift Structure - View 2



Item	Part No.	Description	Qty.
1		Ref. Platform Pivot Assembly (refer to 501.1, 502.1 or 503.1)	
2	99618GT	PIN,1.00DIA X 12.50LG,1HOLE	2
3	825019GT	ROD END, .375X3.69, ZAG	6
4	824092GT	SCREW, HHF, 3/8-16 X 1.5, 8, ZAG	4
5	1274166GT	NUT,NYLOCK,3/8-16,C,ZAG	6
6	99665GT	WELDMENT,JIB COMP MEMBER	2
7		Ref. Jib Cylinder (refer to 604.1)	
8		Ref. Jib Manifold (refer to 603.1)	
9	99660GT	WELDMENT,JIB TENSION MEMBER	1
10	99650GT	WELDMENT,JIB PIVOT	1
11	104608GT	PIN,1.00DIA X 6.45LG,1HOLE	1
12	25817GT	BEARING,1.00IDX1.25ODX1.00L	2
13	1274322GT	NUT,NYLOCK FLG,3/8-16,F,ZAG	3
14	99640GT	WELDMENT,EXTENSION***	1
15	109719GT	FORMING,CABLE BRIDGE MOUNT***	1
16	825352GT	SCREW,PHPM,10-32X1.25,ZAG	4
17	1283005GT	NUT,NYLOCK FLG,10-32,A,ZAG	4
18	99619GT	PIN,1.25DIA X 5.30LG,2RING	1
19	824164GT	SNAP RING, EXTERNAL,1.25, ZAG	2
20	79585GT	PIN,0.75DIA X 4.51LG,2RING	2
21	824163GT	SNAP RING, EXTERNAL, 3/4, ZAG	4
22	99639GT	CABLE TRACK,TZ50, 38 LINKS	1
23		Ref. FORMING,CABLE TRACK TRAY (refer to 403.1)	
24	42502GT	SHIM,SIDE PAD 22GA.	9
25	104741GT	WEAR PAD,3.75 X 1.50 X .63	11
26	29080GT	SHIM,WEAR PAD,5X 1.5 16GA	9
27	824059GT	SCREW, HHC, 1/4-20 X .75, 8, ZAG	26
28	87869GT	SHIM, TOP&BOT, SHORT, .06 THK	2



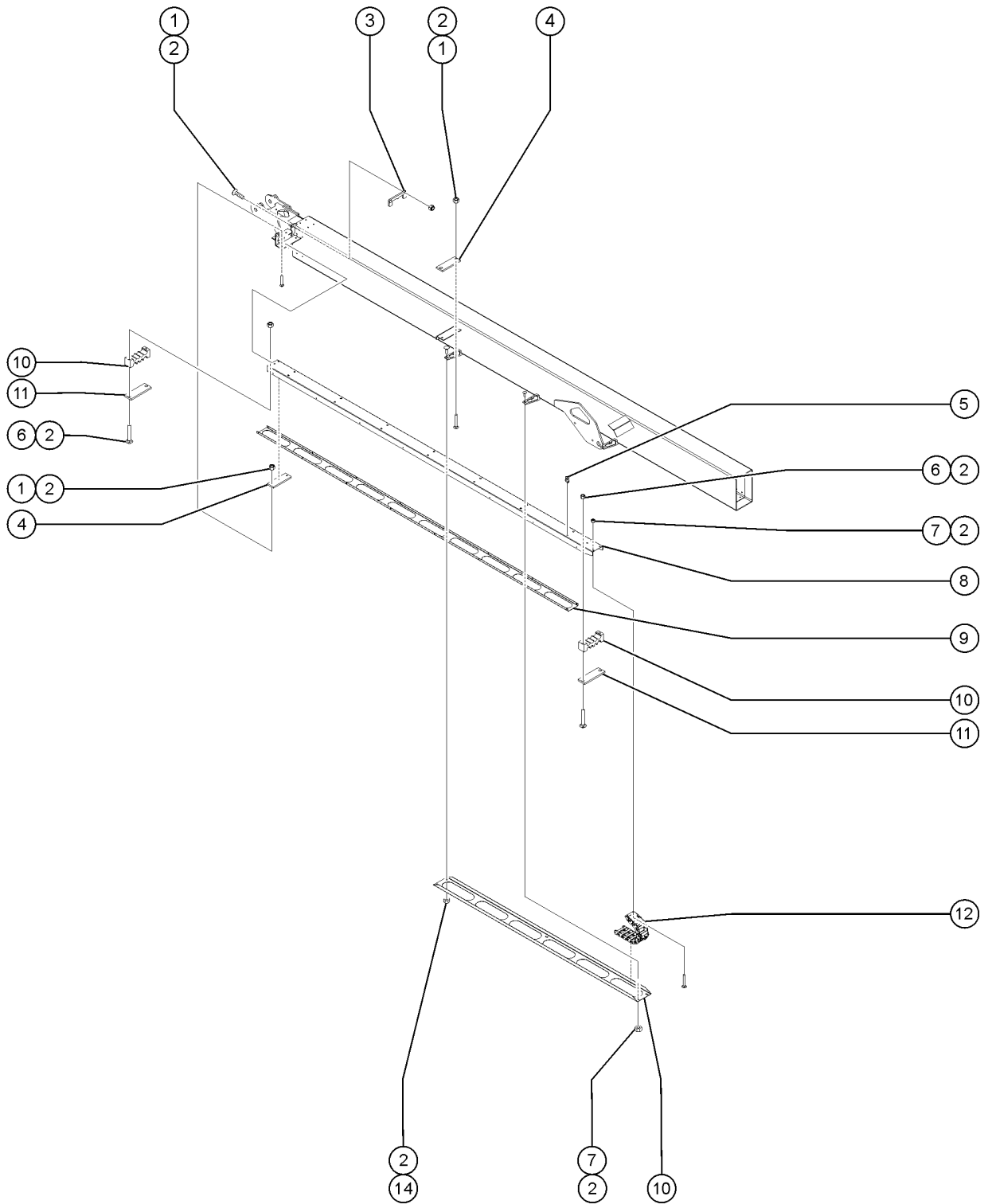
402.1 Lift Structure - View 2



Item	Part No.	Description	Qty.
29	87868GT	SHIM, TOP&BOT, SHORT, .03 THK	2
30	109708GT	BLOCK, CABLE BRIDGE GUIDE	1
31	1256463GT	BOLT, CARRIAGE, 1/4-20X1.25, 5, ZAG	8
32	1274165GT	NUT, NYLOCK, 1/4-20, C, ZAG	6
33	99625GT	WEARPAD, CABLE BRIDGE	1
34	824113GT	WASHER, FLAT, USS, 1/4, ZAG	14
35	824080GT	SCREW, HHF, 1/4-20 X 1.25, 8, ZAG	2
36	99626GT	BLOCK, MAST REST	1
37	1256693GT	SCREW, HHF, 3/8-16X2.25, 8, ZAG	2
38	129100GT	WEAR PAD, 4X4X.75 W/INSERT	1
39	1277924GT	NUT, NYLOCK FLG, 1/4-20, F, ZAG	2
40		Ref. Platform Level Slave Cylinder (refer to 604.1)	
41	99617GT	PIN, 1.00 DIA X 11.00 LG, 2 HOLE	1
42	51474GT	BEARING, 1.00 ID X 1.25 OD X 0.75 L	4
43	47521GT	WASHER, THRUST 1 X 1.75 X .058	2
44	99616GT	PIN, 1.25 DIA X 5.88 LG, 1 HOLE	1
45	1253478GT	SCREW, HHF, 3/8-16X2, 8, ZAG	1
46	36245GT	BEARING, FL, 1.00 ID X 1.25 OD X 0.84 L	2
47	1257224GT	SCREW, FHS, 3/8-16X2, F835, ZAG	1
48	824093GT	SCREW, HHF, 3/8-16 X 1.75, 8, ZAG	2
49	104500GT	BUMPER, LIMIT SWITCH ACTUATOR**	1
50	104499GT	FORMING, GLIDE PAD	1



403.1 Cable Track

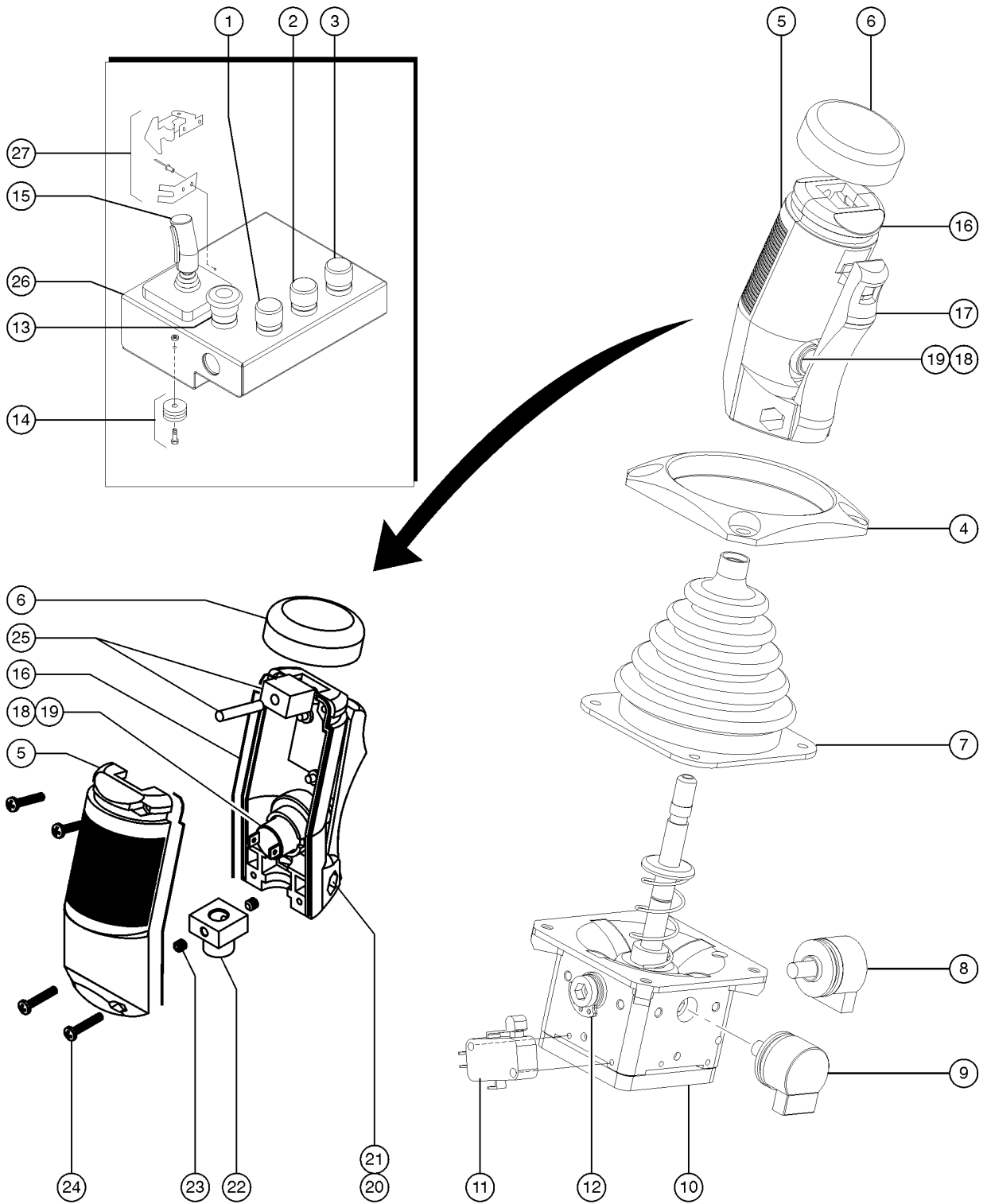


403.1 Cable Track

<i>Item</i>	<i>Part No.</i>	<i>Description</i>	<i>Qty.</i>
1	1256463GT	BOLT,CARRIAGE,1/4-20X1.25,5,ZAG	6
2	1274165GT	NUT,NYLOCK,1/4-20,C,ZAG	18
3	109708GT	BLOCK, CABLE BRIDGE GUIDE	1
4	99625GT	WEARPAD,CABLE BRIDGE	2
5	40928GT	CABLE TIE, BUTTON, BLACK, 10.00 LG	14
6	1268954GT	BOLT,CARRIAGE,1/4-20X1.75,5,ZAG	4
7	1260963GT	BOLT,CARRIAGE,1/4-20X.63,5,ZAG	6
8	109671GT	FORMING,CABLE BRIDGE **	1
9	109668GT	FORMING, CABLE BRIDGE**	1
10	1303328GT	BLOCK,6 HOSE AND 2 CABLE CLAMP	2
11	109686GT	PLATE, CABLE AND HOSE CLAMP	2
12	99639GT	CABLE TRACK,TZ50, 38 LINKS	1
13	99648GT	FORMING,CABLE TRACK TRAY **	1
14	824124GT	BOLT, CARRIAGE, 1/4-20 X .75, 5, ZAG	2



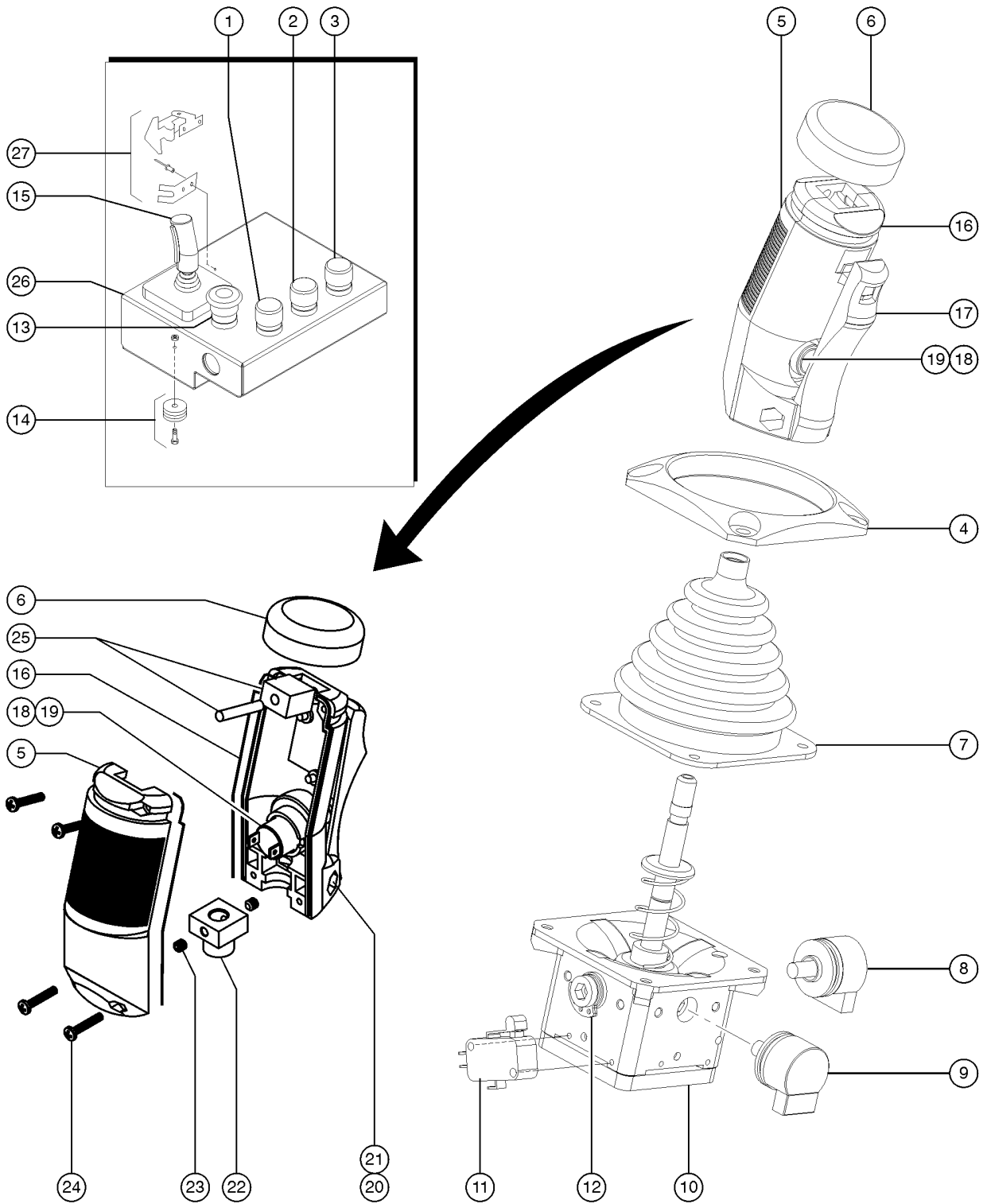
404.1 Drive Controls



Item	Part No.	Description	Qty.
-	104378GT	DRIVE BOX ASSEMBLY,ANSI ANSI and CSA models	
-		Ref. Harness Drive Control Box (refer to 308.1)	
-	115042GT	PCB, JOYSTICK, TZ50	
1	226320GT	ASM, BUTTON & BOOT, BLK ANSI and CSA models	1
1-	66814GT	BASE,WITH 2 N.O. CONTACTS*** includes 2 each N.O. contact	
1-	66816GT	CONTACT,N.O.***	
2	226320GT	ASM, BUTTON & BOOT, BLK ANSI and CSA models	1
2-	66814GT	BASE,WITH 2 N.O. CONTACTS*** includes 2 each N.O. contact	
2-	66816GT	CONTACT,N.O.***	
3	226320GT	ASM, BUTTON & BOOT, BLK ANSI and CSA models	1
3-	66814GT	BASE,WITH 2 N.O. CONTACTS*** includes 2 each N.O. contact	
3-	66816GT	CONTACT,N.O.***	
4	115032GT	JOYSTICK BOOT BRACKET, TZ50	1
5	52041GT	HANDLE HALF-BACKSIDE, GS JYSTK	1
6	115034GT	THUMB CAP, JOYSTICK, TZ50	1
7	115035GT	JOYSTICK ROBBER BOOT, TZ50	1
8	129189GT	POTENTIOMETER	
8-	129190GT	POTENTIOMETER MOUNTING ASSY for 129189	
9	129189GT	POTENTIOMETER	
9-	129190GT	POTENTIOMETER MOUNTING ASSY for 129189	
10	115038GT	MECHANICAL ASSY,JOYSTICK,TZ50	1
11	115039GT	DIRECTION SWITCH,JOYSTICK,TZ50	1
12	115040GT	CAM ASSY,JOYSTICK, TZ50	1
13	226322GT	ASM, E-STOP & BOOT	1
13-	66817GT	E-STOP W/ NC CONTACT includes 1 each N.C. contact	
13-	66818GT	CONTACT,NC	
14	6090GT	SCREW, HHC, 1/4-20 X .75 for 66866	
14-	824024GT	NUT, TL, 1/4-20, C, ZAG for 66866	



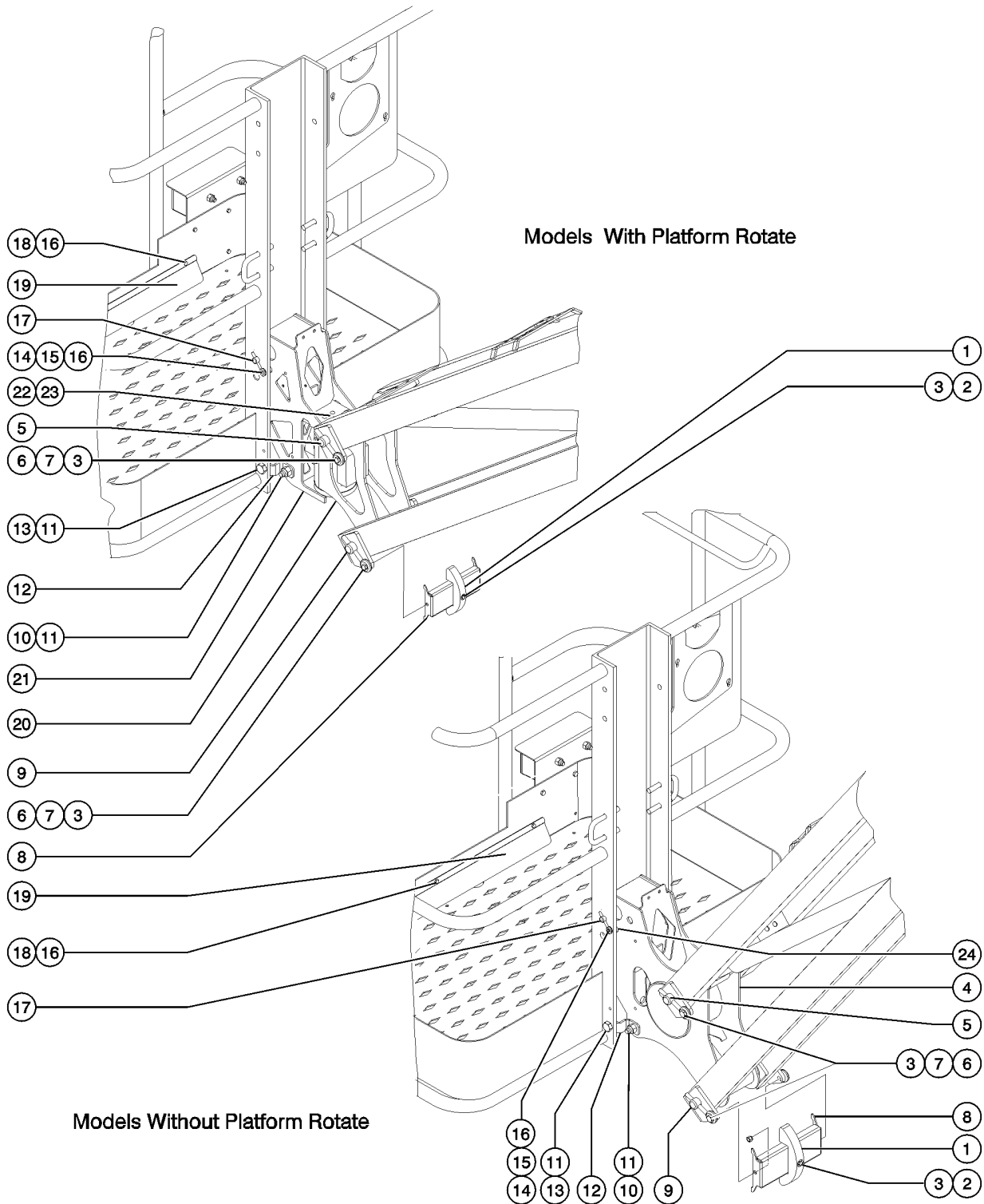
404.1 Drive Controls



Item	Part No.	Description	Qty.
14-	66866GT	BUTTON,JOYSTICK MOUNT,BRASS*** for 66866	
15	129080GT	KIT,TZ50,JOYSTICK REPLACEMENT includes items 4-10 and 16-25	1
15B	99999GT	DRIVE CONTROLLER (C-TECH) includes items 4-10 and 16-25	
16	52040GT	USE 58293*****	1
17	52042GT	LEVER,FUNC ENABLE SWITCH,RGE**	1
18	129193GT	SWITCH,HANDLE	1
19	46271GT	NUT-MOUNTING,PUSH BUTTON-44988	1
20	65544GT	NUT-ENABLE SWITCH LEVER(57890)	1
21	65545GT	SCREW-ENABLE SWTCH LEVER/57890	1
22	52043GT	NUT,JOYSTICK,44988, RGE	1
23	58985GT	SCREW,HANDLE42032,40612,36867	1
24	129192GT	ASSEMBLY SCREWS, HANDLE set of 4	1
25	65178GT	ROCKER ASSY W/ROLLPIN***	1
26	23405GT	NUTSERT,10-32 STEEL CAD PLTD	
26	84633GT	DRIVE CNTRL BOX LID ASSY,TZ50	
26	99746GT	FORMING,DRIVE BOX BASE	
27	57881GT	LATCH, RUBBER, 3-13/32 X 1-7/8	
27	69620-SGT	STOPPER, COVER LATCH	
27	99688GT	RIVET,STL, .125 X .125	



501.1 Platform Installation - ANSI and CSA Models without Platform Overload Option



Models With Platform Rotate

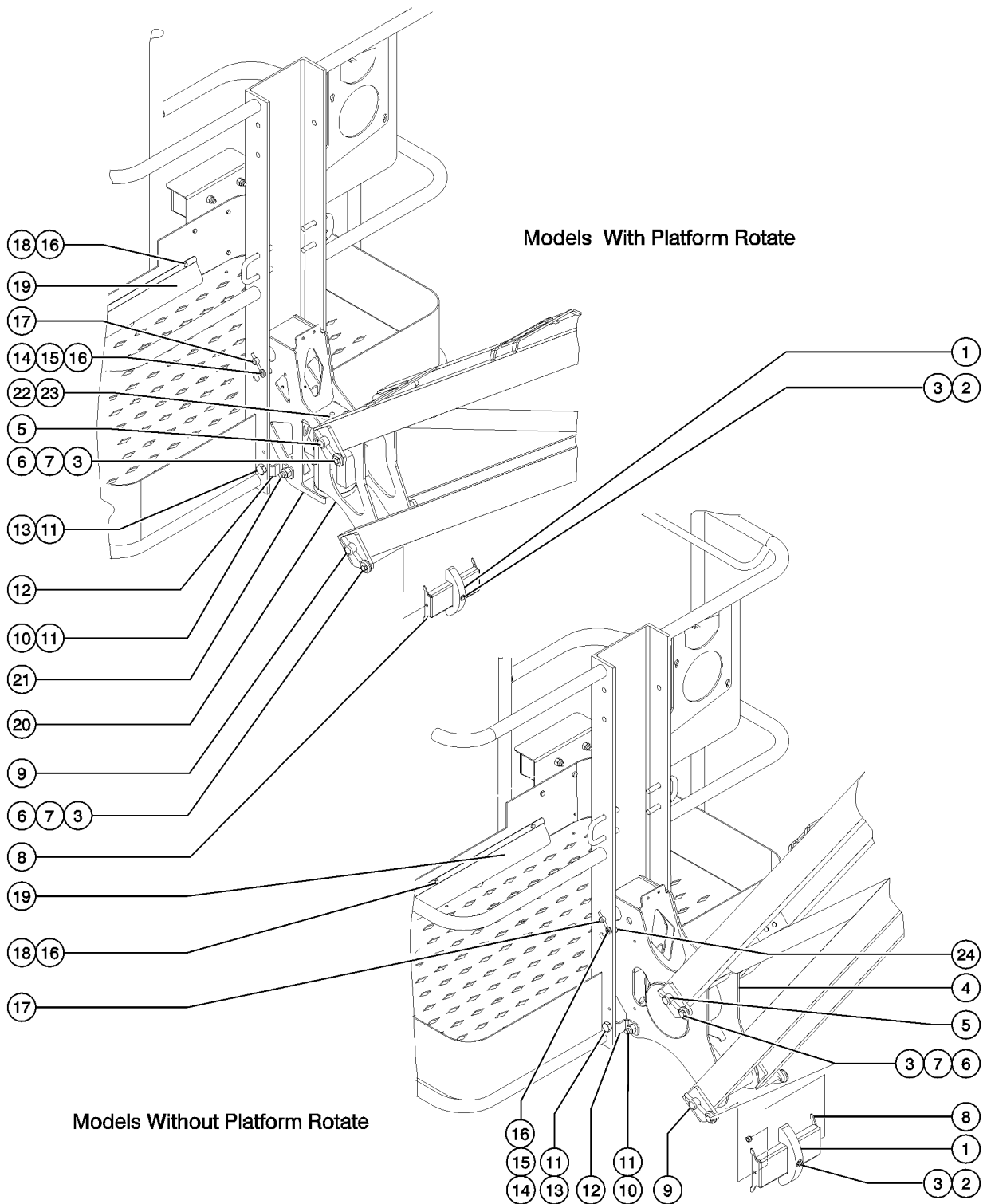
Models Without Platform Rotate

501.1 Platform Installation - ANSI and CSA Models without Platform Overload Option

Item	Part No.	Description	Qty.
1	104500GT	BUMPER,LIMIT SWITCH ACTUATOR**	
2	6610GT	SCREW,FHS,3/8-16 X 2 GRD.8	1
3	4828GT	NUT, NYLOCK, 3/8-16	
4	1258807GT	ASSEMBLY,PLAT MOUNT,NR ANSI and CSA models (includes bearings)	1
5	99618GT	PIN,1.00DIA X 12.50LG,1HOLE	2
6	8516GT	SCREW, HCC, 3/8-16 X 1.50	
7	825019GT	ROD END, .375X3.69, ZAG	4
8	104499GT	FORMING, GLIDE PAD	
9	99617GT	PIN,1.00DIA X 11.00LG,2HOLE	2
10	8538GT	NUT,LP NYLOCK,3/4-10	
11	38509GT	SCREW,HHC,3/4-10 X 6	
12	99677GT	FORMING,LWR PLAT MNT,ANSI	2
13	94439GT	SCREW,HHC,3/4-10 X 1.5	
14	6888GT	SCREW, HHC, 1/4-20 X 1	
15	825020GT	ROD END, .25 X 2.75, ZAG	2
16	6091GT	NUT,NYLOCK,1/4-20	
17	78976GT	PIN,.75 DIA X 8.75 LG,GES 1380	2
18	6090GT	SCREW, HHC, 1/4-20 X .75	
19	99707GT	FORMING,CABLE GUARD	1
20	237173GT	WELDMENT,PLATFORM ROTATOR	1
20-	233718GT	PLATFORM ROTATOR, TZ-50	
20-	233745GT	SEAL AND BRG KIT, 4.5K ROTATOR	
20-		Ref. Rotator Manifold	
		(refer to 603.1)	
20B	62509GT	SEAL KIT,ROTATOR***	
		(for 99689)	
20B	83042GT	BEARING KIT,ROTATOR,4.5K***	
		(for 99689)	
21	99680GT	WELDMENT,PLAT MOUNT ROTATE	1
22	10255GT	SCREW,HHC,3/4-10 X 10	
23	10258GT	NUT,NYLOCK,3/4-10,GRD.2	



501.1 Platform Installation - ANSI and CSA Models without Platform Overload Option

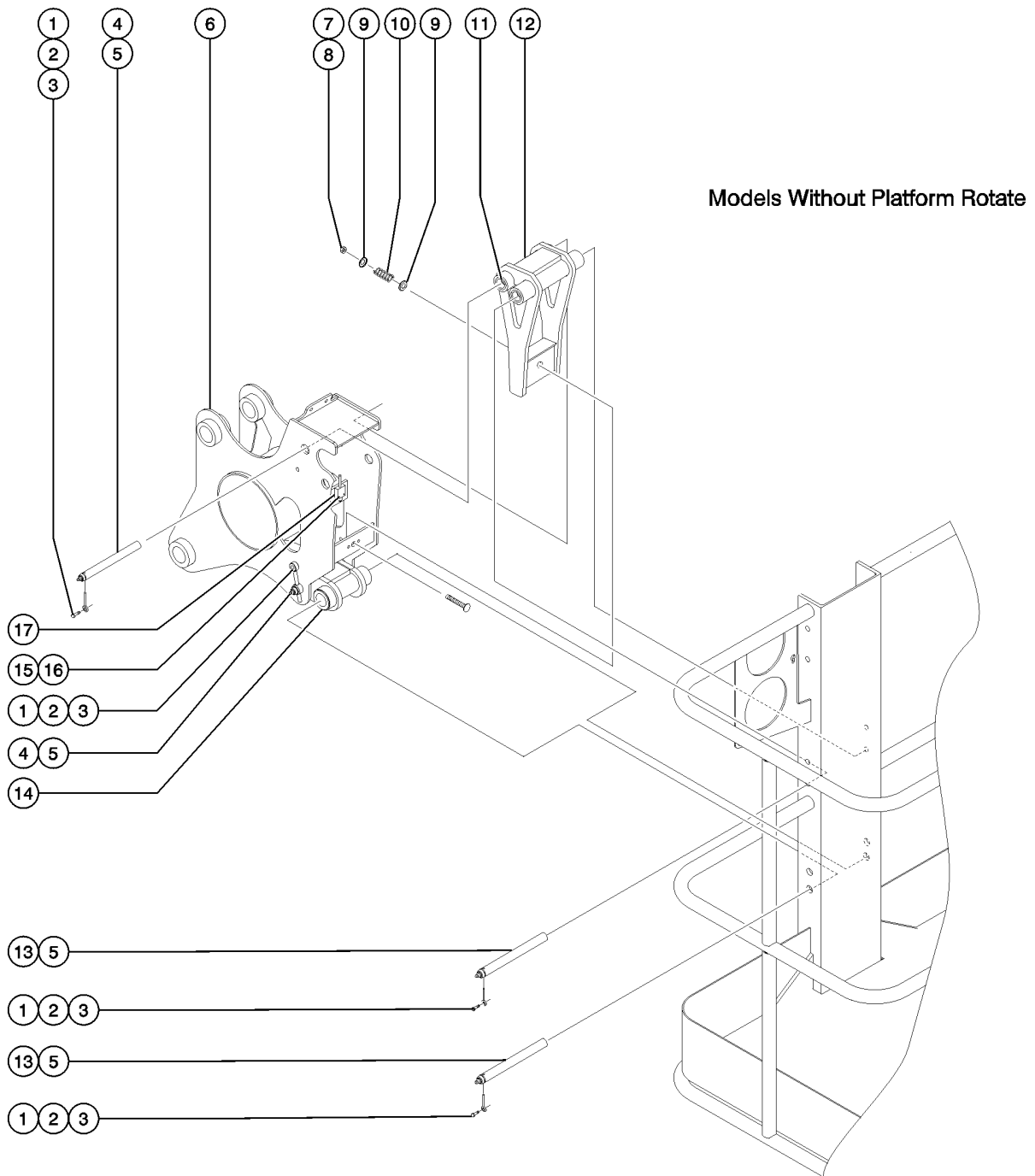


501.1 Platform Installation - ANSI and CSA Models without Platform Overload Option

<i>Item</i>	<i>Part No.</i>	<i>Description</i>	<i>Qty.</i>
24	1318615GT	SPACER, ROUND	2



502.1 Platform Installation - ANSI and CSA Models with Platform Overload Option (models without platform rotator option)

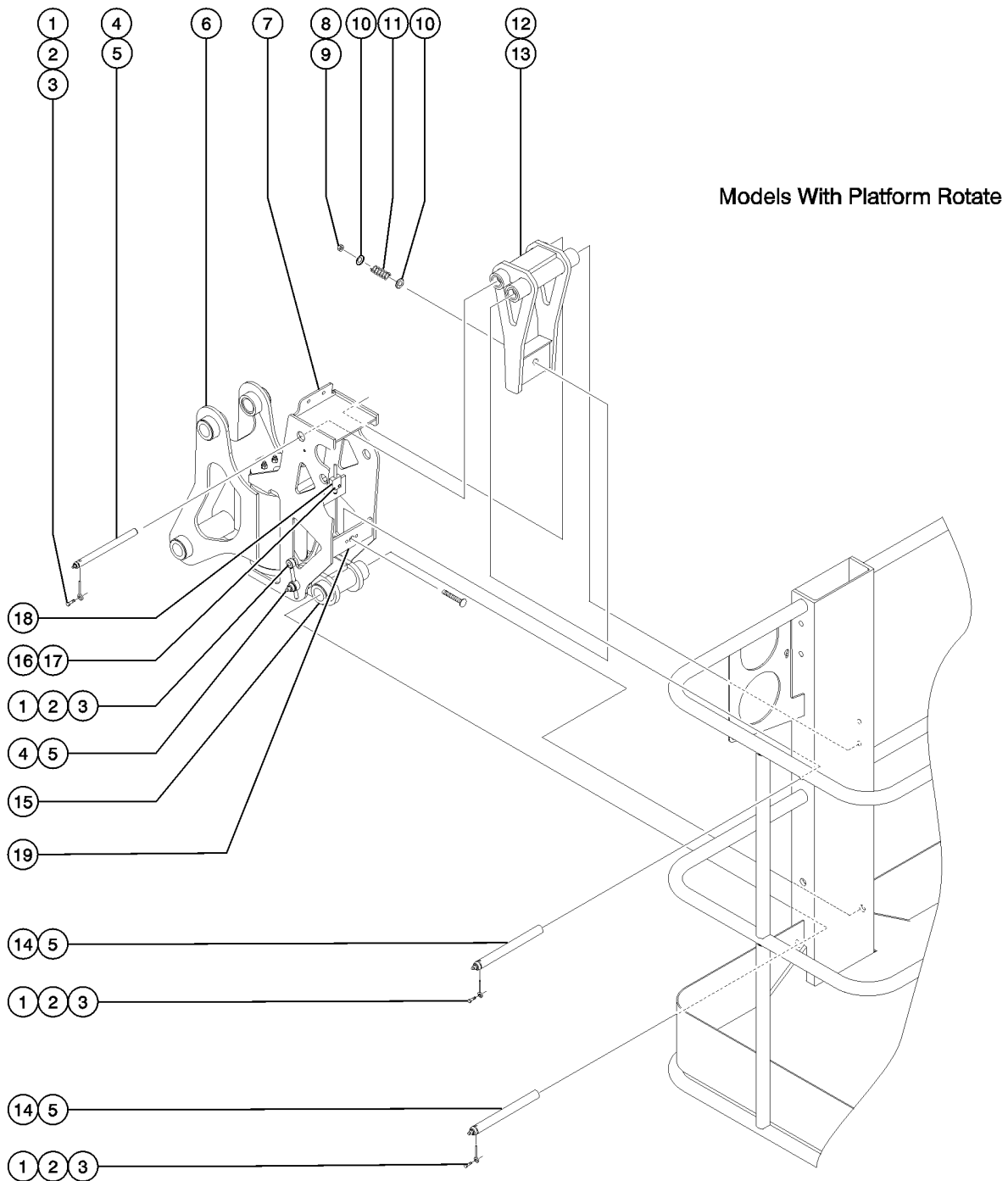


502.1 Platform Installation - ANSI and CSA Models with Platform Overload Option (models without platform rotator option)

Item	Part No.	Description	Qty.
1	824060GT	SCREW, HHC, 1/4-20 X 1, 8, ZAG	
2	825020GT	ROD END, .25 X 2.75, ZAG	4
3	6091GT	NUT, NYLOCK, 1/4-20	
4	124680GT	PIN, 0.75DIA X 5.13LG, CHAMFER	2
5	94643GT	ZERK, GREASE, 5/16-24, STRAIT	4
6	1258807GT	ASSEMBLY, PLAT MOUNT, NR	1
		(includes bearings)	
6-	36245GT	BEARING, FL, 1.00IDX1.25ODX0.84L	2
6-	56901GT	BEARING, FL, 1.00IDX1.25ODX1.50L	2
7	4828GT	NUT, NYLOCK, 3/8-16	
8	5387GT	SCREW, HHC, 3/8-16 X 4	
9	61975GT	RETAINER, SPRING, 1.21 X .375	2
10	61974GT	SPRING, COMP, 1" OD, 232 LB/IN	1
11	39581GT	BEARING, 0.75IDX1.00ODX0.50L	4
12	99690GT	WELDMENT, PIVOT LINK, TOP	1
13		Ref. Platform Assembly	
		(refer to 504.1 or 505.1)	
14	99174GT	PIN, 0.75DIA X 8.75LG, CHAMFER	2
15	99695GT	WELDMENT, PIVOT LINK, BOTTOM	1
		(does not include bearing)	
15-	39581GT	BEARING, 0.75IDX1.00ODX0.50L	
16	6147GT	SCREW, RHM, 10-32 X 1	
17	6178GT	NUT, NYLOCK, 10-32	
18	99194GT	SWITCH, LIMIT W/CONNECTOR	1
18-	60428GT	CONN, PLUG 4WAY, 14-18GA	



503.1 Platform Rotate Installation - ANSI and CSA Models without Platform Overload Option

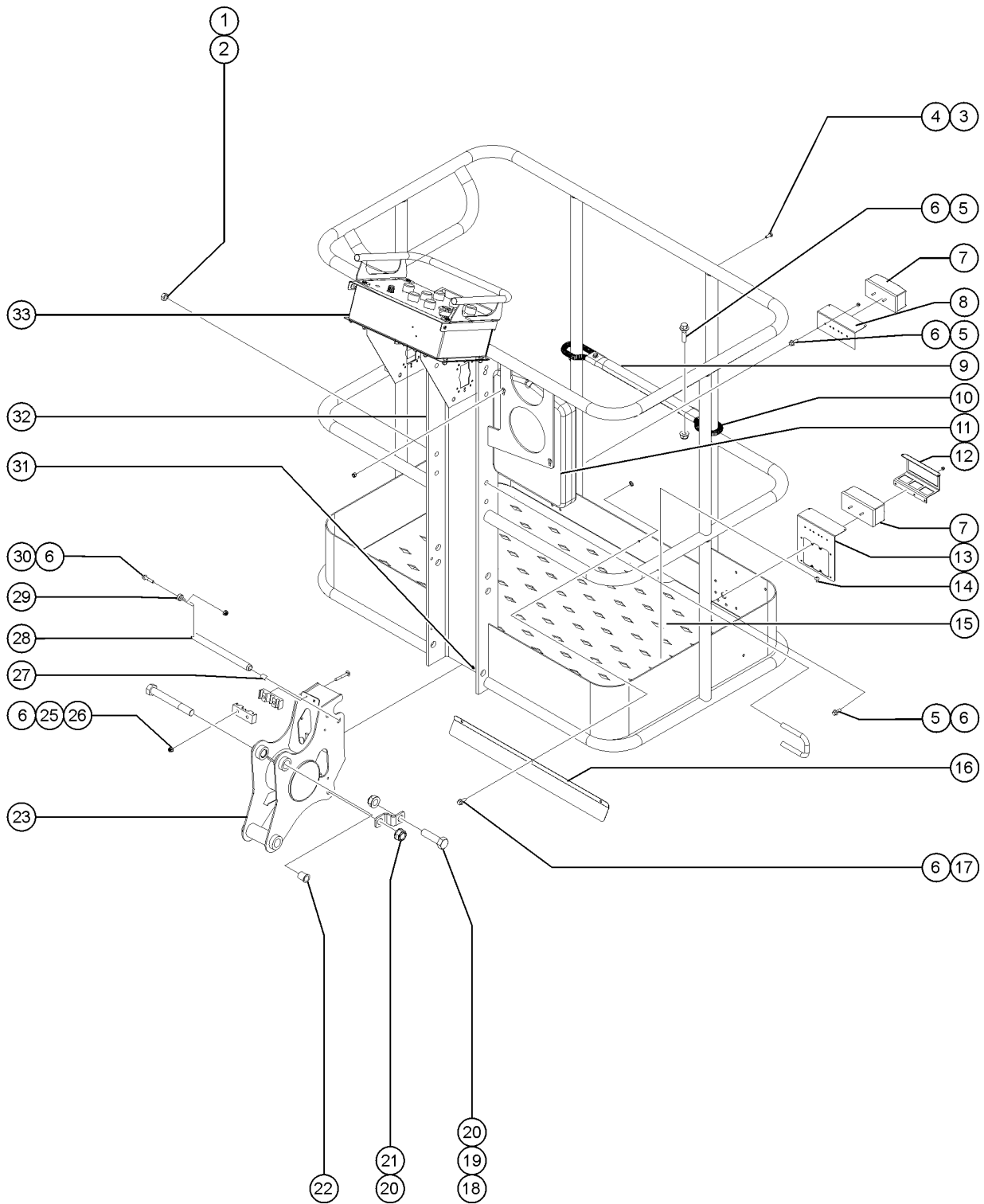


503.1 Platform Rotate Installation - ANSI and CSA Models without Platform Overload Option

Item	Part No.	Description	Qty.
1	824060GT	SCREW, HHC, 1/4-20 X 1, 8, ZAG	
2	825020GT	ROD END, .25 X 2.75, ZAG	4
3	6091GT	NUT, NYLOCK, 1/4-20	
4	124680GT	PIN, 0.75DIA X 5.13LG, CHAMFER	2
5	94643GT	ZERK, GREASE, 5/16-24, STRAIT	4
6A	237173GT	WELDMENT, PLATFORM ROTATOR	1
6A-	233718GT	PLATFORM ROTATOR, TZ-50	
6A-	233745GT	SEAL AND BRG KIT, 4.5K ROTATOR	
6B	62509GT	SEAL KIT, ROTATOR*** (for 237173)	
6B	83042GT	BEARING KIT, ROTATOR, 4.5K*** (for 237173)	
7	99680GT	WELDMENT, PLAT MOUNT ROTATE	1
7-	36245GT	BEARING, FL, 1.00ID X 1.25OD X 0.84L	2
7-	56901GT	BEARING, FL, 1.00ID X 1.25OD X 1.50L	
8	4828GT	NUT, NYLOCK, 3/8-16	
9	5387GT	SCREW, HHC, 3/8-16 X 4	
10	61975GT	RETAINER, SPRING, 1.21 X .375	2
11	61974GT	SPRING, COMP, 1" OD, 232 LB/IN	1
12	99690GT	WELDMENT, PIVOT LINK, TOP	1
13	39581GT	BEARING, 0.75ID X 1.00OD X 0.50L	4
14		Ref. Platform Assembly (refer to 504.1 or 505.1)	
15	99174GT	PIN, 0.75DIA X 8.75LG, CHAMFER	2
16	99695GT	WELDMENT, PIVOT LINK, BOTTOM	1
16-	39581GT	BEARING, 0.75ID X 1.00OD X 0.50L	
17	6147GT	SCREW, RHM, 10-32 X 1	
18	6178GT	NUT, NYLOCK, 10-32	
19	99194GT	SWITCH, LIMIT W/CONNECTOR	1
19	60428GT	CONN, PLUG 4WAY, 14-18GA	
20	104037GT	PLATE, CE BOLT RETAINER	1



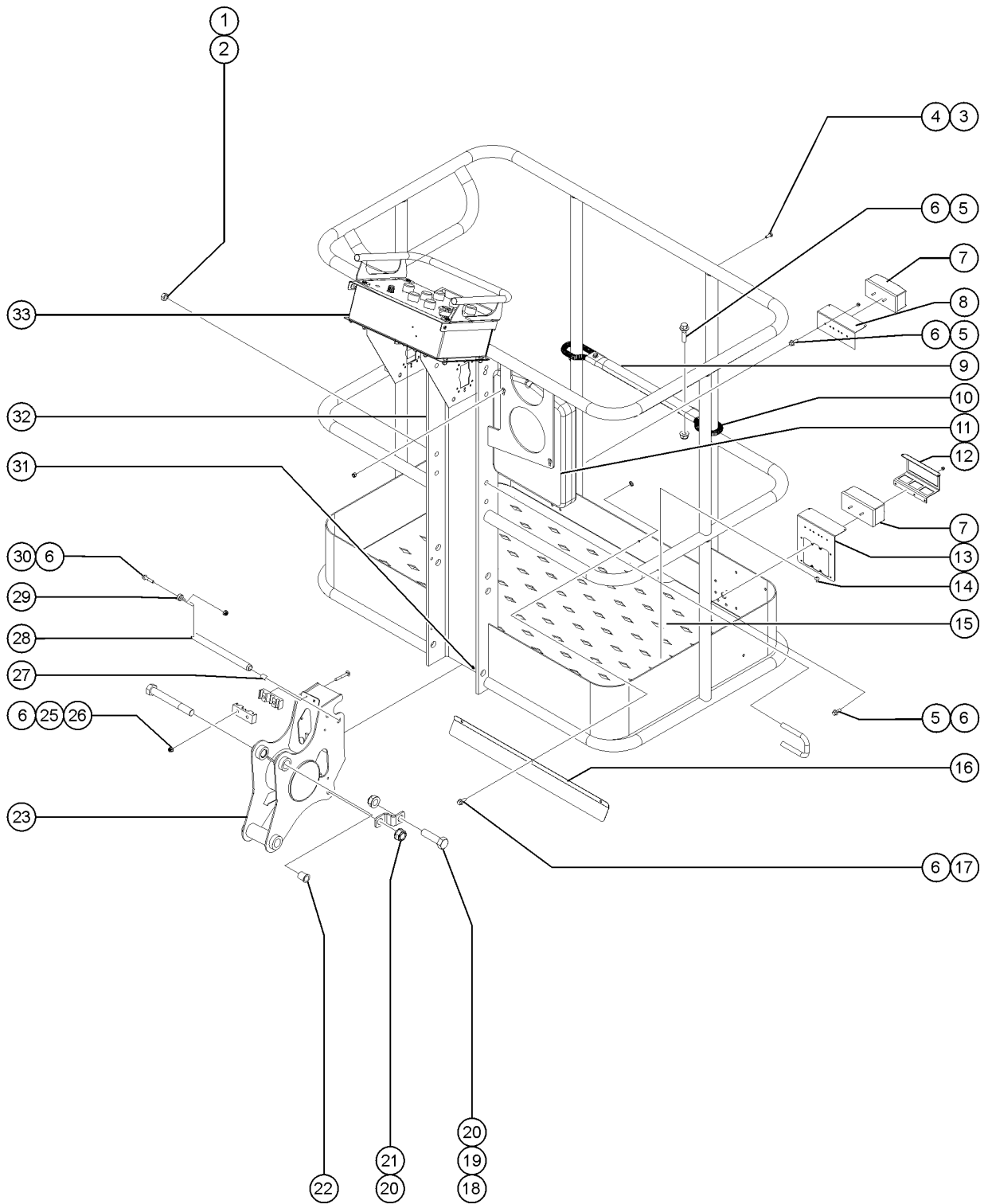
504.1 Platform Controls - ANSI Standard



Item	Part No.	Description	Qty.
1	1274320GT	NUT,NYLOCK,1/2-13,C,ZAG	4
2	66778GT	U-BOLT,SQ BEND, 1/2-13	2
3	824079GT	SCREW,HHF,1/4-20X1,8,ZAG	2
4	1277924GT	NUT,NYLOCK FLG,1/4-20,F,ZAG	2
5	824079GT	SCREW,HHF,1/4-20X1,8,ZAG	6
6	1277924GT	NUT,NYLOCK FLG,1/4-20,F,ZAG	9
7	105307GT	TAILLIGHT,RIGHT W/HARDWARE***	2
8	104348GT	FORMING,TAIL LIGHT,RT***	1
9	40712GT	TUBE,STD.SLIDING MIDRAIL-16.75	1
10	41292GT	MID-RAIL GUIDE WITH LOOM	2
11	24514GT	BOX, INSTRUCTION STORAGE**	1
12	105287GT	FORMING, TAIL LIGHT COVER	2
13	104347GT	FORMING,TAIL LIGHT,LT***	2
14	71315GT	RIVET,DRIVE, .25 X .25	9
15	99705GT	FLOORING,45X27 DIAMOND PLATE	1
16	99707GT	FORMING,CABLE GUARD	1
17	1256855GT	SCREW,HHF,1/4-20X.625,8,ZAG	3
18	51428GT	SCREW,HHC,3/4-10 X 2.75	2
19	99677GT	FORMING,LWR PLAT MNT,ANSI	2
20	1283009GT	NUT,NYLOCK FLG,3/4-10,F,ZAG	3
21	1266818GT	SCREW,HHC,3/4-10X6,8,ZAG	1
22	56901GT	BEARING,FL,1.00IDX1.25ODX1.50L	2
23	99670GT	WELDMENT,PLAT MOUNT,NR	1
24	1274165GT	NUT,NYLOCK,1/4-20,C,ZAG	12
25	99698GT	CLAMP,CABLE 2X.5, 2X.38	2
26	1255797GT	BOLT,CARRIAGE,1/4-20X2,5,ZAG	2
27	1318615GT	SPACER, ROUND	2
28	78976GT	PIN,.75 DIA X 8.75 LG,GES 1380	1



504.1 Platform Controls - ANSI Standard

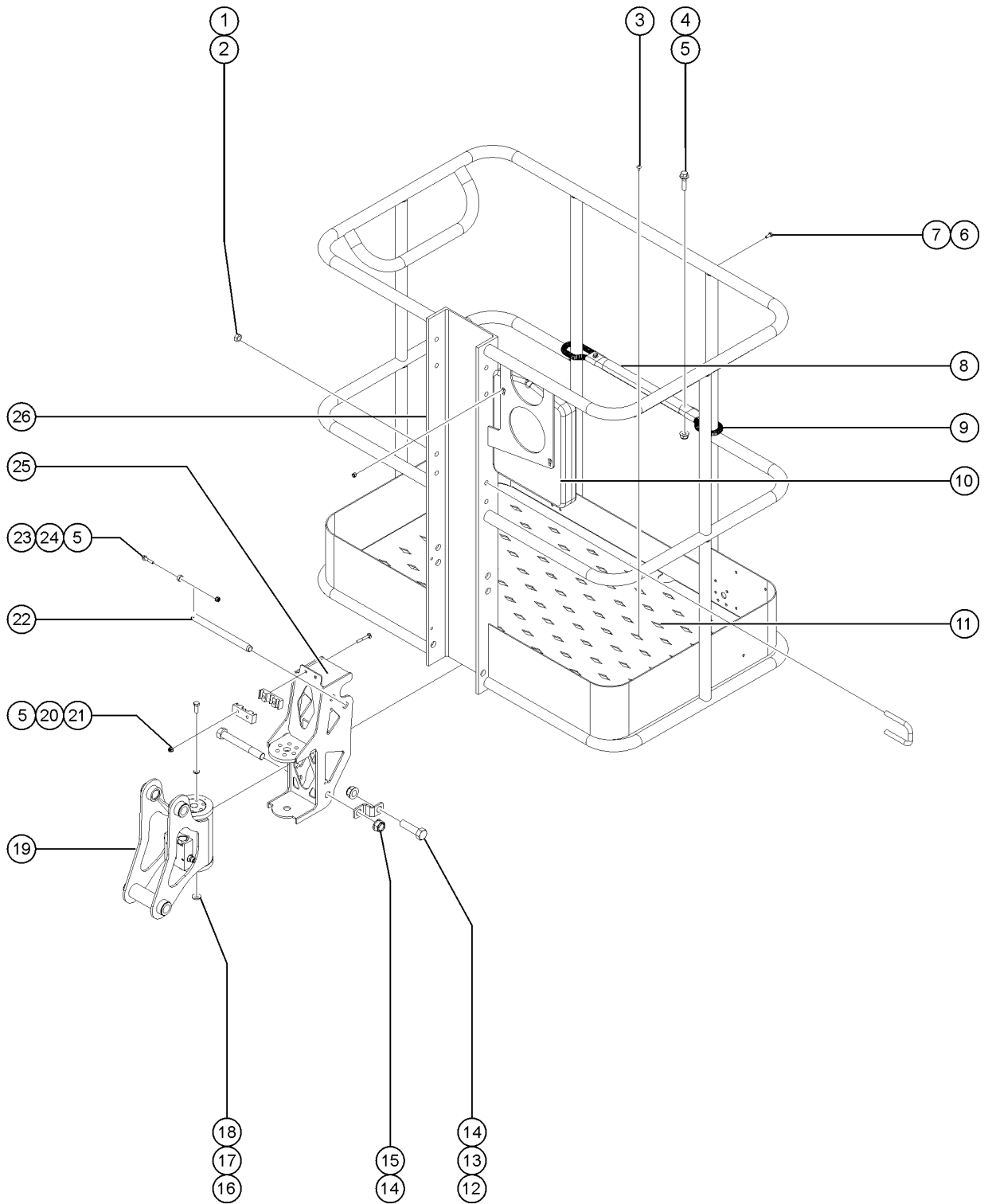


504.1 Platform Controls - ANSI Standard

<i>Item</i>	<i>Part No.</i>	<i>Description</i>	<i>Qty.</i>
29	825020GT	ROD END, .25 X 2.75, ZAG	1
30	824080GT	SCREW, HHF, 1/4-20 X 1.25, 8, ZAG	1
31	15243GT	PLUG,NYLON .875 BLACK DOMED	2
32	1305189GT	WELDMENT, PLAT, TZ50 NO CONTROLS GUARD	1
33		Refer_503.2	



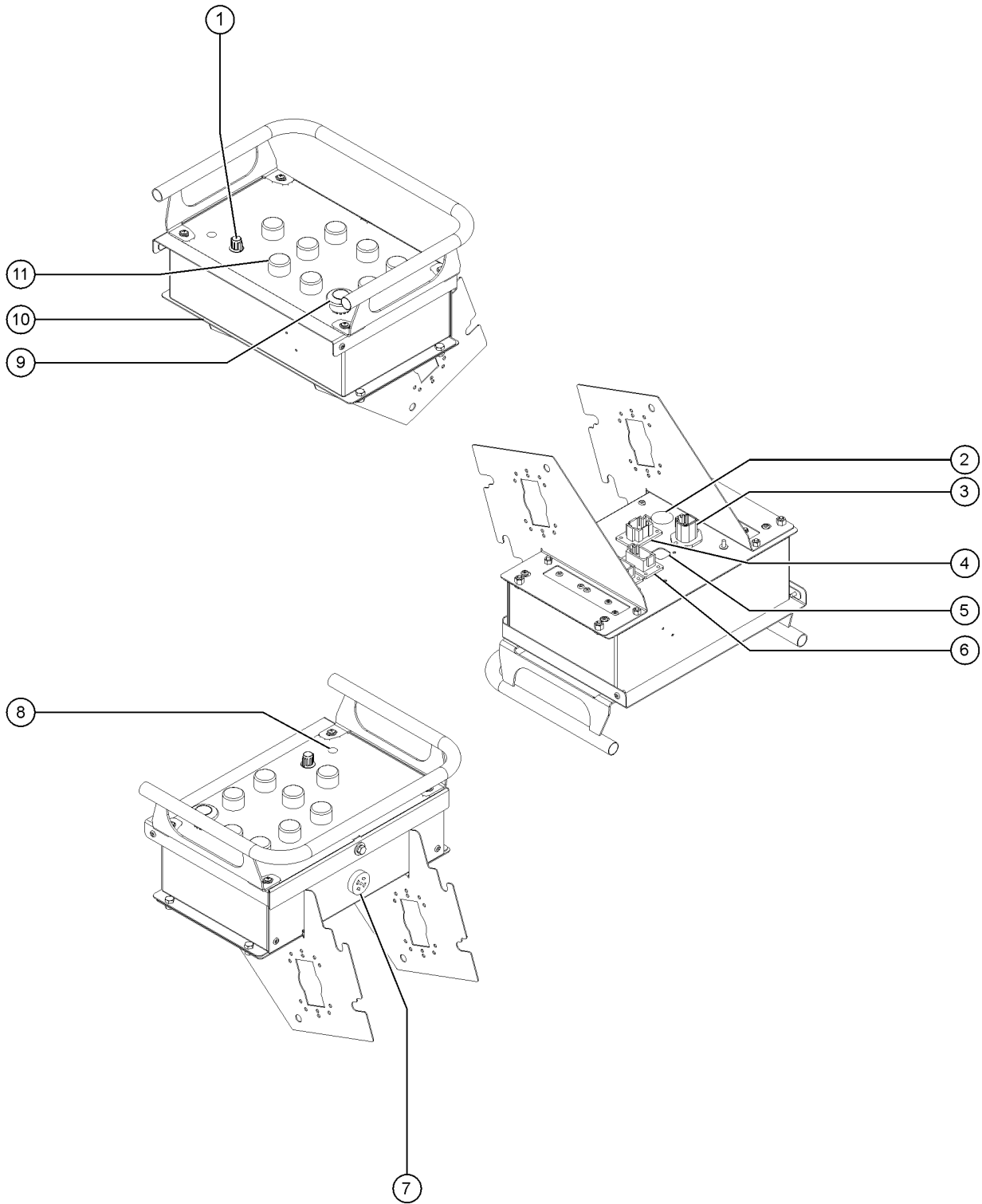
505.1 Platform Controls - ANSI Rotate



Item	Part No.	Description	Qty.
1	1255804GT	NUT,JAM,1/2-13,A,ZAG	4
2	66778GT	U-BOLT,SQ BEND, 1/2-13	2
3	71315GT	RIVET,DRIVE, .25 X .25	6
4	824079GT	SCREW,HHF,1/4-20X1,8,ZAG	2
5	1277924GT	NUT,NYLOCK FLG,1/4-20,F,ZAG	5
6	8914GT	SCREW, HHC, 1/4-20 X .625	2
7	6091GT	NUT,NYLOCK,1/4-20	2
8	40712GT	TUBE,STD.SLIDING MIDRAIL-16.75	1
9	41292GT	MID-RAIL GUIDE WITH LOOM	2
10	24514GT	BOX, INSTRUCTION STORAGE**	1
11	99705GT	FLOORING,45X27 DIAMOND PLATE	1
12	51428GT	SCREW,HHC,3/4-10 X 2.75	2
13	99677GT	FORMING,LWR PLAT MNT,ANSI	2
14	1283009GT	NUT,NYLOCK FLG,3/4-10,F,ZAG	3
15	1266818GT	SCREW,HHC,3/4-10X6,8,ZAG	1
16	1255758GT	WASHER,FLAT,3/8,USS,ZAG	6
17	824110GT	WASHER, LOCK, 3/8, ZAG	6
18	824067GT	SCREW, HHC, 3/8-16 X 1, 8, ZAG	6
19	237173GT	WELDMENT,PLATFORM ROTATOR	1
20	99698GT	CLAMP,CABLE 2X.5, 2X.38	2
21	1255797GT	BOLT,CARRIAGE,1/4-20X2,5,ZAG	2
22	78976GT	PIN,.75 DIA X 8.75 LG,GES 1380	1
23	824080GT	SCREW, HHF, 1/4-20 X 1.25, 8, ZAG	1
24	825020GT	ROD END, .25 X 2.75, ZAG	1
25	99680GT	WELDMENT,PLAT MOUNT ROTATE	1
26	1305189GT	WELDMENT, PLAT, TZ50 NO CONTROLS GUARD	1



506.1 Platform Control Box

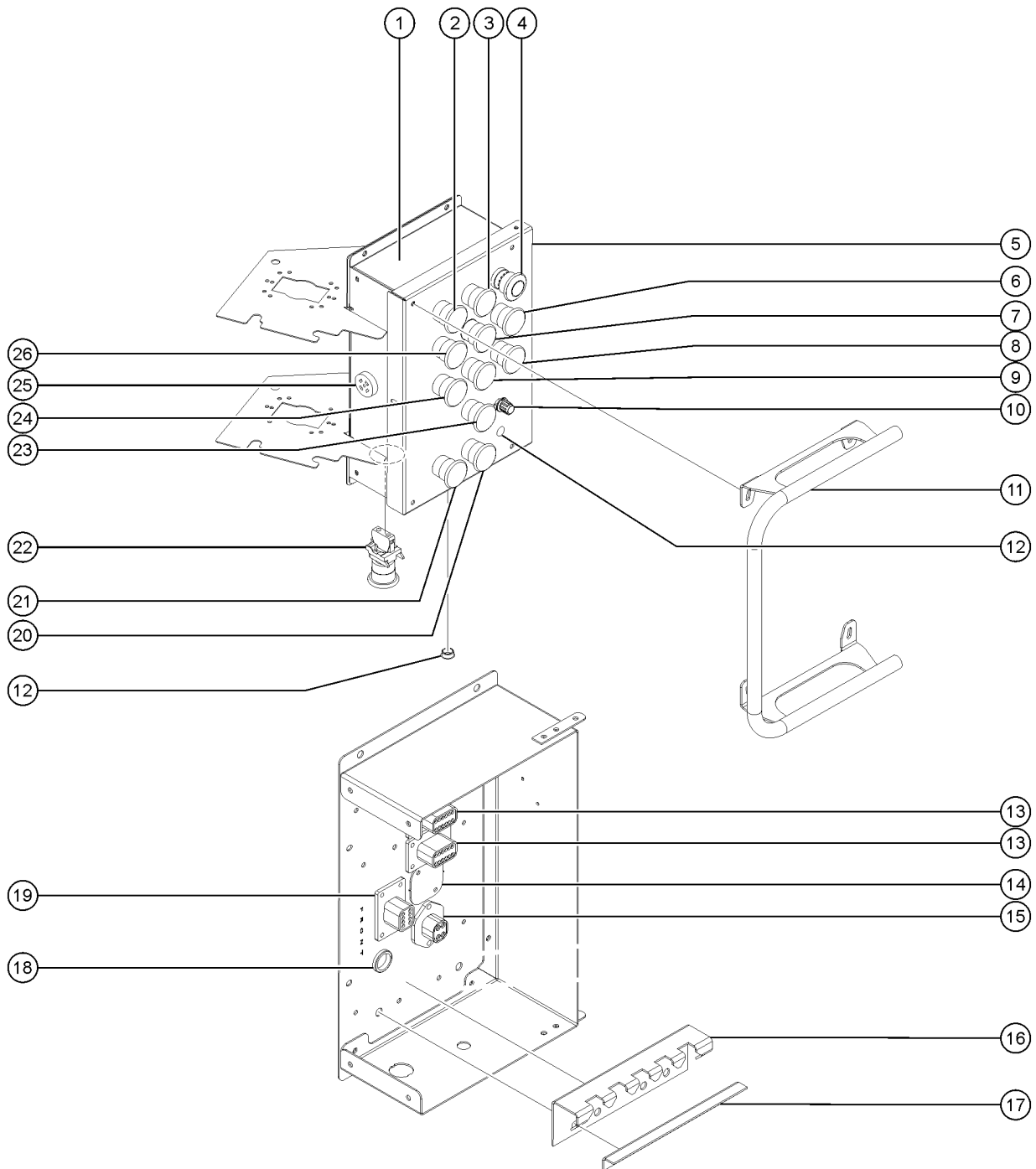


506.1 Platform Control Box

<i>Item</i>	<i>Part No.</i>	<i>Description</i>	<i>Qty.</i>
1	104327GT	POTENTIOMETER ASSY 1-10K	1
2	15243GT	PLUG,NYLON .875 BLACK DOMED	5
3	73717GT	CONN, RECEP, 4 WAY, DEUTSCH, DTP, FLANGE	1
4	87755GT	CONN, RECEP, 8 WAY, DEUTSCH, DT, GRAY/FLANGE	1
5	99885GT	PLATE, PLUG COVER, 4 WAY	1
6	73730GT	CONN, RECEP, 12 WAY, DEUTSCH, DT, GRAY/FLANGE	2
7	45383GT	ALARM,WARBLE TONE 5-30 VDC***	1
8	45384GT	PLUG,NYLON .50 BLACK DOMED	2
9	226322GT	ASM, E-STOP & BOOT	1
10	1289870GT	CONTROL BOX,UPPER,METALTZ50	1
11	66813GT	BUTTON,PUSH,BLACK W/SEAL*** from SN TZ50F-5181	8



507.1 Platform Controls - ANSI, CSA Models with no Load Sense

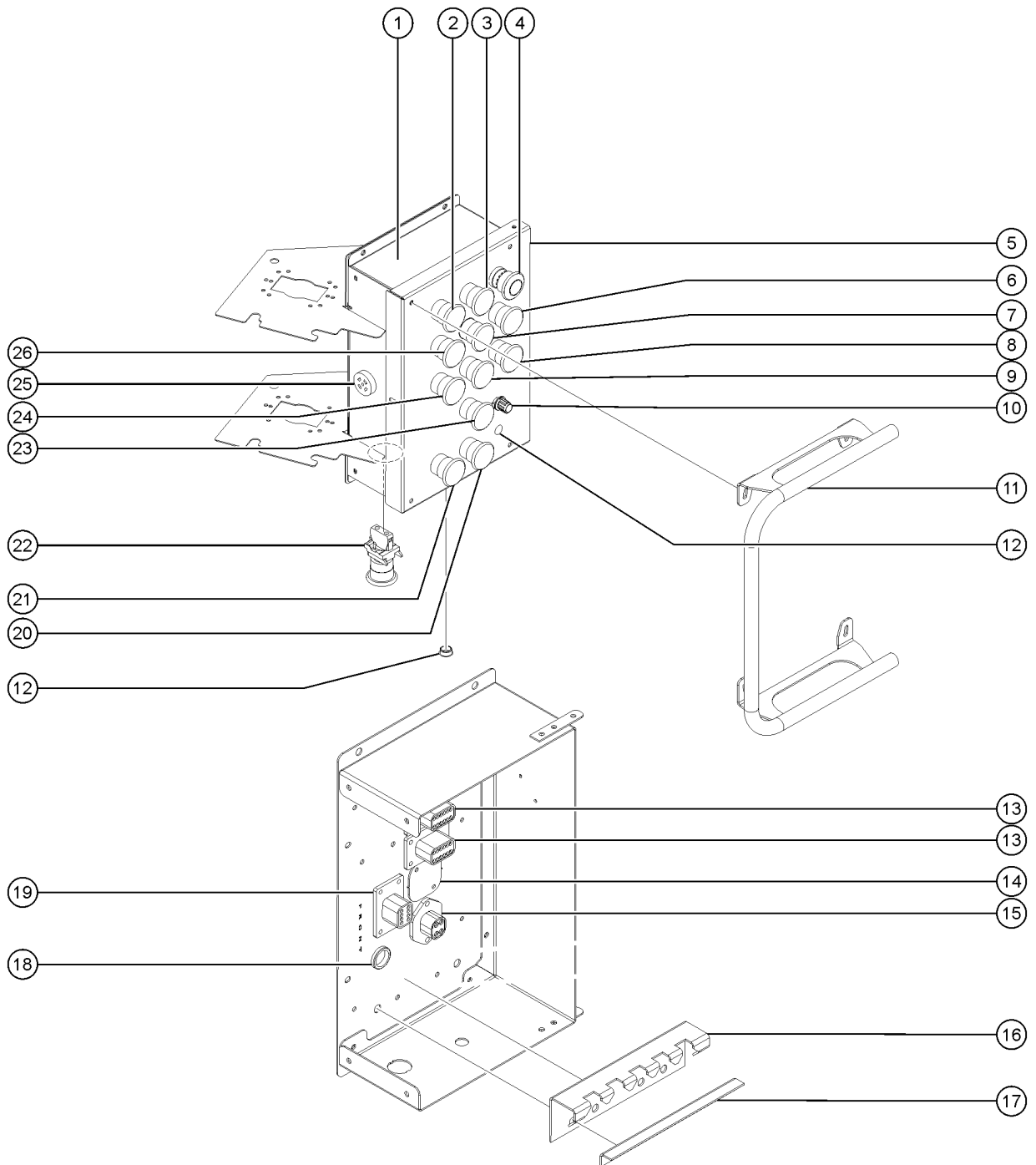


507.1 Platform Controls - ANSI, CSA Models with no Load Sense

Item	Part No.	Description	Qty.
-	1287095GT	CONTROL BOX, TZ50,UPPER,NO LOAD (complete)	1
1	1289870GT	CONTROL BOX,UPPER,METALTZ50 (includes items 5, 11, 16 and 17)	1
1C	1277801GT	BRACKET,MOUNT,UPPER CONTROL BOX,RHS,TZ-50	
1C	1277802GT	BRACKET,MOUNT,UPPER CONTROL BOX,LHS,TZ-50	
2	226320GT	ASM, BUTTON & BOOT, BLK	1
3	226320GT	ASM, BUTTON & BOOT, BLK	1
4	226322GT	ASM, E-STOP & BOOT	1
5	1301146GT	LID ASSEMBLY, UPPER CONTROL BOX,TZ (part of item 1)	1
5A	69773GT	SEAL,RIBBED FOAM,3/8X1/8 PSA** 45 inches	1
5B	824059GT	SCREW, HHC, 1/4-20 X .75, 8, ZAG to secure the lid closed	1
5B	824109GT	WASHER, LOCK, 1/4, ZAG for 824059	1
5B	824113GT	WASHER, FLAT, USS, 1/4, ZAG for 824059	1
5B	25969GT	SPRING CLIP, 1/4-20 BLACK for 824059	1
6	226320GT	ASM, BUTTON & BOOT, BLK	1
7	226320GT	ASM, BUTTON & BOOT, BLK	1
7A-	66815GT	BASE, W/1 N.O. CONTACTS***	
7B	15243GT	PLUG,NYLON .875 BLACK DOMED	1
8	226320GT	ASM, BUTTON & BOOT, BLK	1
9	226320GT	ASM, BUTTON & BOOT, BLK	1
10	104327GT	POTENTIOMETER ASSY 1-10K	1
11	1275924GT	WELDMENT, UPPER CTRL BOX GUARD, TZ34 (part of item 1)	1
12	45384GT	PLUG,NYLON .50 BLACK DOMED	2
13	73730GT	CONN, RECEP, 12 WAY, DEUTSCH, DT, GRAY/FLANGE	2
14	99885GT	PLATE, PLUG COVER, 4 WAY	1
15	73717GT	CONN, RECEP, 4 WAY, DEUTSCH, DTP, FLANGE	1
16	104708GT	FORMING, RELAY MOUNT TZ50 UPR (part of item 1)	1
17	104491GT	FORMING,RELAY HOLDER TZ50 UPR (part of item 1)	1
18	15243GT	PLUG,NYLON .875 BLACK DOMED	1



507.1 Platform Controls - ANSI, CSA Models with no Load Sense

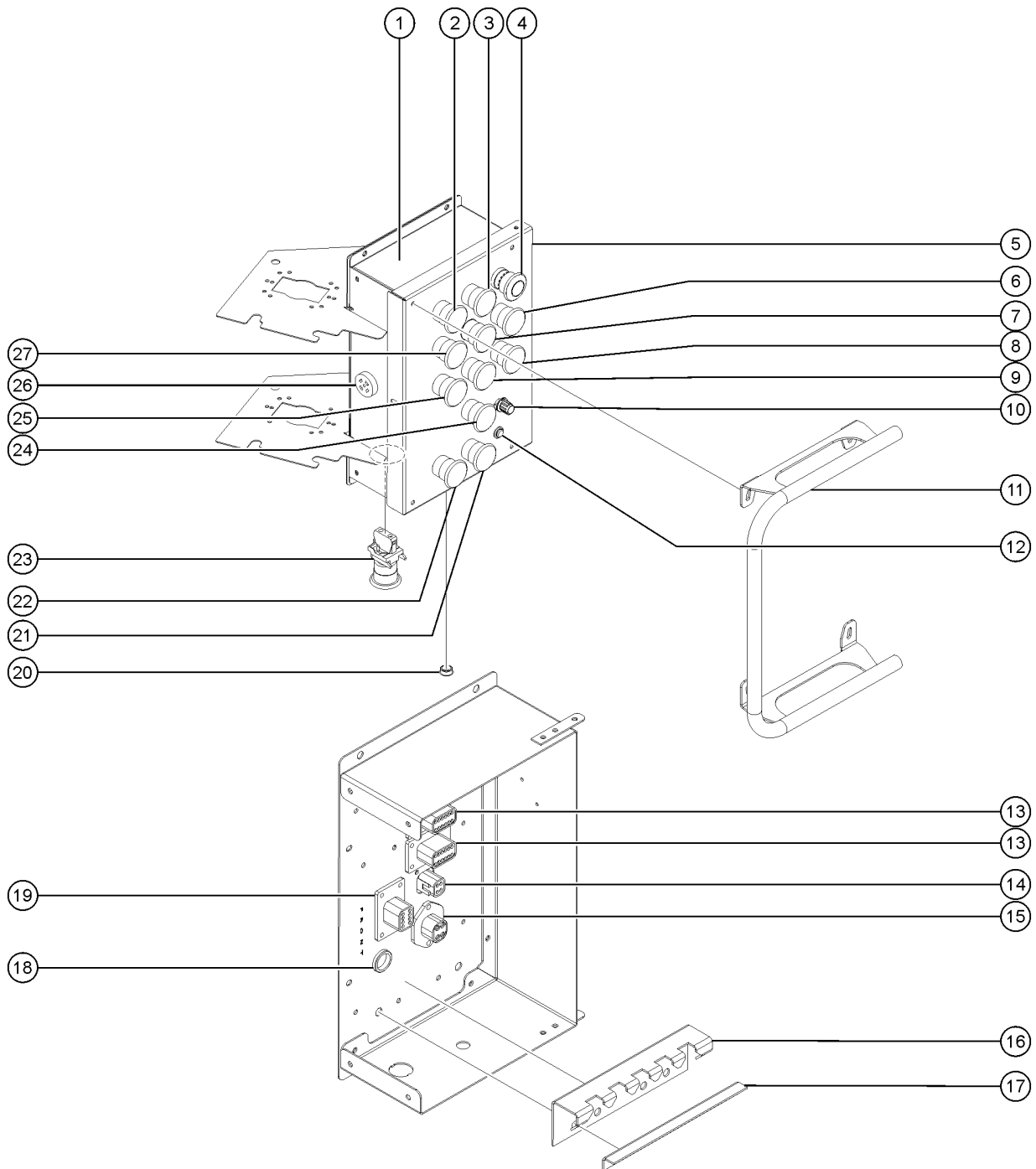


507.1 Platform Controls - ANSI, CSA Models with no Load Sense

<i>Item</i>	<i>Part No.</i>	<i>Description</i>	<i>Qty.</i>
19	87755GT	CONN, RECEP, 8 WAY, DEUTSCH, DT, GRAY/FLANGE	1
20	226320GT	ASM, BUTTON & BOOT, BLK	1
20-	66815GT	BASE, W/1 N.O. CONTACTS***	
21	226320GT	ASM, BUTTON & BOOT, BLK	1
21-	66815GT	BASE, W/1 N.O. CONTACTS***	
22	226320GT	ASM, BUTTON & BOOT, BLK	1
22A-	66815GT	BASE, W/1 N.O. CONTACTS***	
22B	15243GT	PLUG,NYLON .875 BLACK DOMED	1
23	226320GT	ASM, BUTTON & BOOT, BLK	1
24	226320GT	ASM, BUTTON & BOOT, BLK	1
25	45383GT	ALARM,WARBLE TONE 5-30 VDC***	1
26	226320GT	ASM, BUTTON & BOOT, BLK	1



508.1 Platform Controls - ANSI, CSA Models with Load Sense

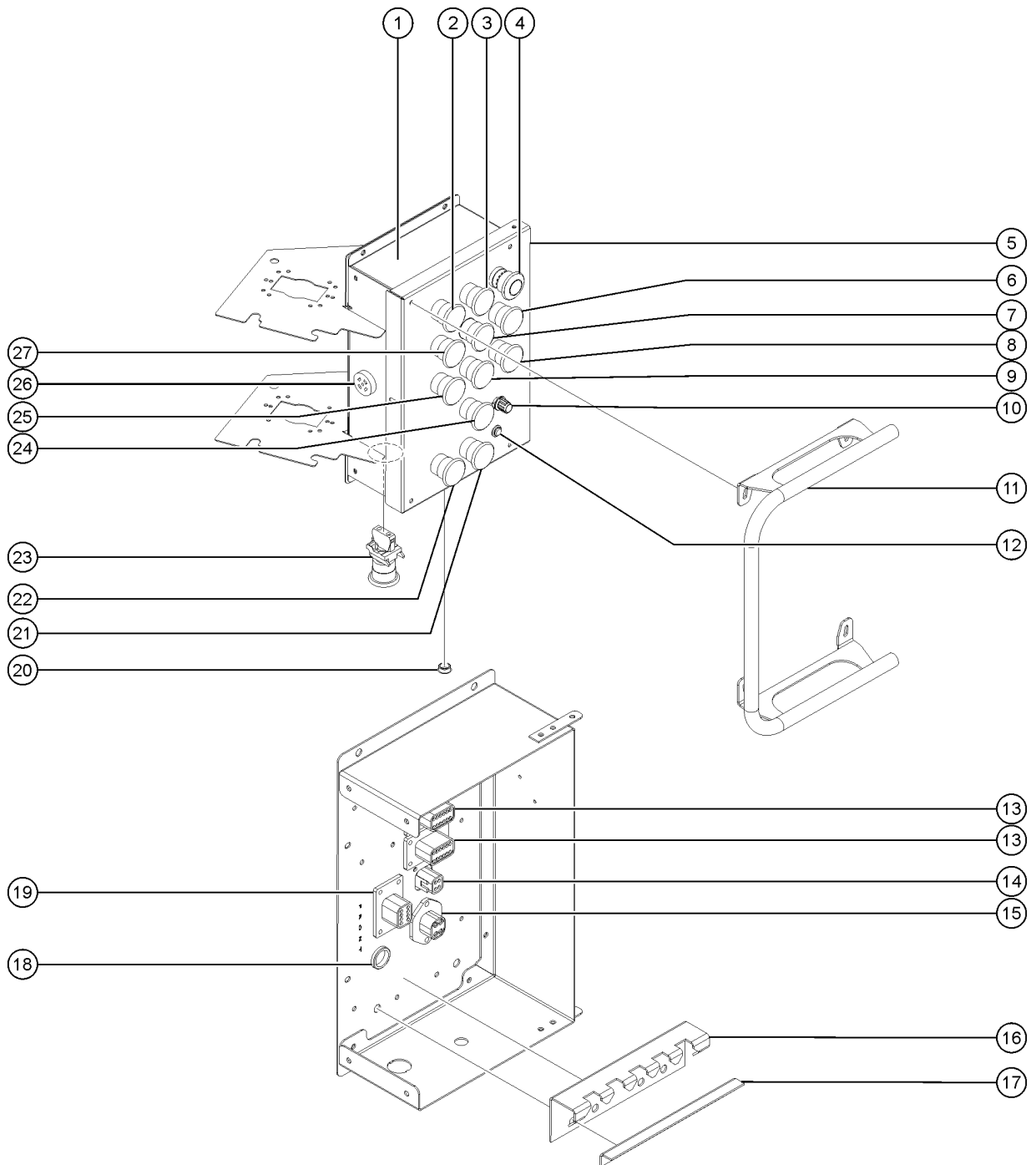


508.1 Platform Controls - ANSI, CSA Models with Load Sense

Item	Part No.	Description	Qty.
-	1287096GT	CONTROL BOX, TZ50,UPPER,LOAD (complete)	1
-	1286186GT	CONTROL, LOAD SENSE (includes item 12A and 14A)	1
1	1289870GT	CONTROL BOX,UPPER,METALTZ50 (includes items 5, 11, 16 and 17)	1
1-	1277801GT	BRACKET,MOUNT,UPPER CONTROL BOX,RHS,TZ-50	
1-	1277802GT	BRACKET,MOUNT,UPPER CONTROL BOX,LHS,TZ-50	
2	226320GT	ASM, BUTTON & BOOT, BLK	1
3	226320GT	ASM, BUTTON & BOOT, BLK	1
4	226322GT	ASM, E-STOP & BOOT	1
5	1301146GT	LID ASSEMBLY, UPPER CONTROL BOX,TZ (part of item 1)	1
5A	69773GT	SEAL,RIBBED FOAM,3/8X1/8 PSA** 45 inches	1
5B	824059GT	SCREW, HHC, 1/4-20 X .75, 8, ZAG to secure the lid closed	1
5B	824109GT	WASHER, LOCK, 1/4, ZAG for 824059	1
5B	824113GT	WASHER,FLAT,USS,1/4,ZAG for 824059	1
5B	25969GT	SPRING CLIP, 1/4-20 BLACK for 824059	1
6	226320GT	ASM, BUTTON & BOOT, BLK	1
7	226320GT	ASM, BUTTON & BOOT, BLK	1
7A-	66815GT	BASE, W/1 N.O. CONTACTS***	
7B	15243GT	PLUG,NYLON .875 BLACK DOMED	1
8	226320GT	ASM, BUTTON & BOOT, BLK	1
9	226320GT	ASM, BUTTON & BOOT, BLK	1
10	104327GT	POTENTIOMETER ASSY 1-10K	1
11	1275924GT	WELDMENT, UPPER CTRL BOX GUARD, TZ34 (part of item 1)	1
12	99088GT	LED,RED 24V FLASHING	1
12B	45384GT	PLUG,NYLON .50 BLACK DOMED	1
13	73730GT	CONN, RECEP, 12 WAY, DEUTSCH, DT, GRAY/FLANGE	2
14	73723GT	CONN RECEPT,FLANGED	1
14B	99885GT	PLATE, PLUG COVER, 4 WAY	1
15	73717GT	CONN, RECEP, 4 WAY, DEUTSCH, DTP, FLANGE	1



508.1 Platform Controls - ANSI, CSA Models with Load Sense

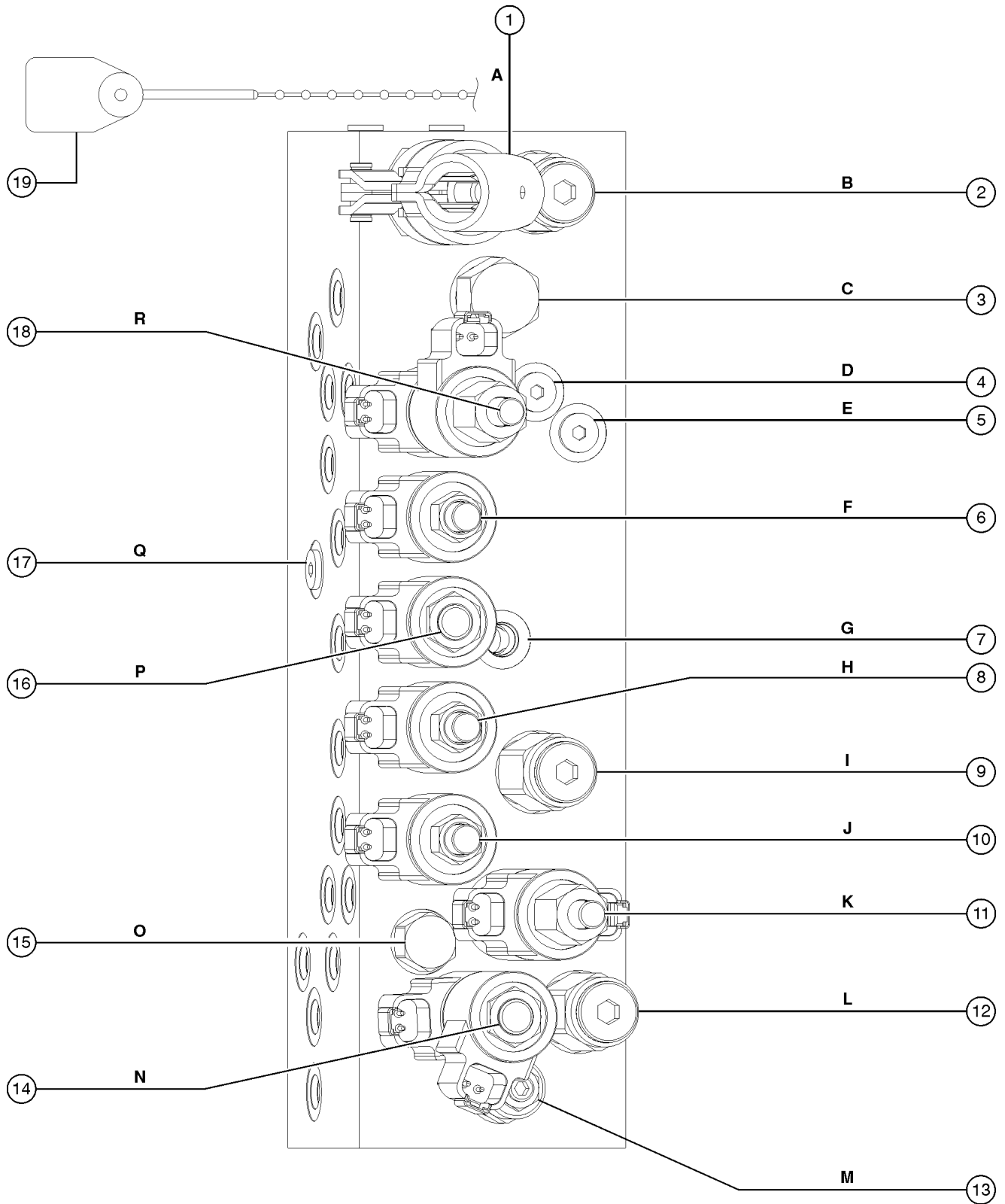


508.1 Platform Controls - ANSI, CSA Models with Load Sense

Item	Part No.	Description	Qty.
16	104708GT	FORMING, RELAY MOUNT TZ50 UPR (part of item 1)	1
17	104491GT	FORMING,RELAY HOLDER TZ50 UPR (part of item 1)	1
18	15243GT	PLUG,NYLON .875 BLACK DOMED	1
19	87755GT	CONN, RECEP, 8 WAY, DEUTSCH, DT, GRAY/FLANGE	1
20	45384GT	PLUG,NYLON .50 BLACK DOMED	1
21	226320GT	ASM, BUTTON & BOOT, BLK	1
21A-	66815GT	BASE, W/1 N.O. CONTACTS***	
21B	15243GT	PLUG,NYLON .875 BLACK DOMED	1
22	226320GT	ASM, BUTTON & BOOT, BLK	1
22A-	66815GT	BASE, W/1 N.O. CONTACTS***	
22B	15243GT	PLUG,NYLON .875 BLACK DOMED	1
23	226320GT	ASM, BUTTON & BOOT, BLK	1
23A-	66815GT	BASE, W/1 N.O. CONTACTS***	
23B	15243GT	PLUG,NYLON .875 BLACK DOMED	1
24	226320GT	ASM, BUTTON & BOOT, BLK	1
25	226320GT	ASM, BUTTON & BOOT, BLK	1
26	45383GT	ALARM,WARBLE TONE 5-30 VDC***	1
27	226320GT	ASM, BUTTON & BOOT, BLK	1



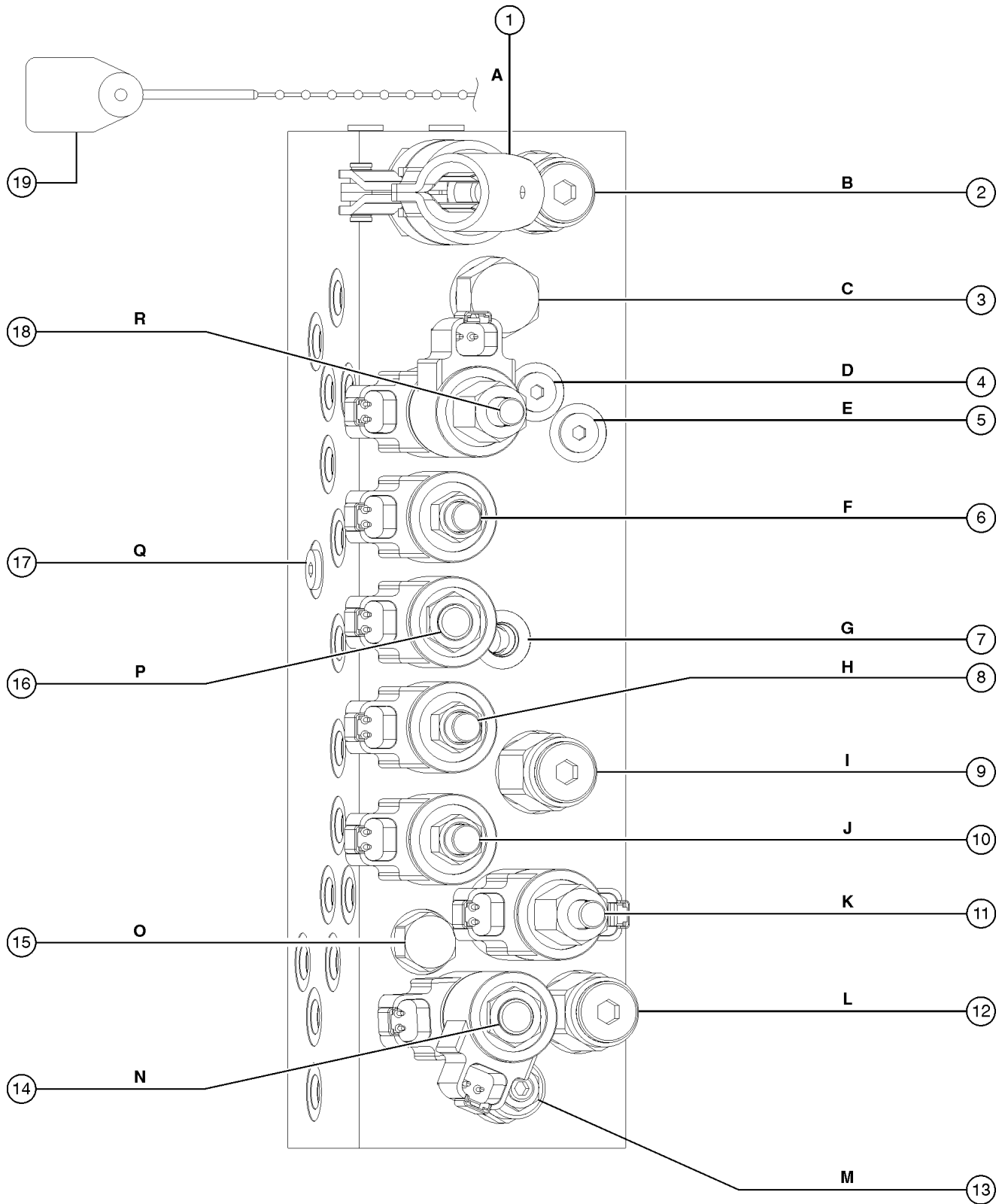
601.1 Function Manifold



Item	Part No.	Description	Qty.
	99756GT	MANIFOLD, HYDRAULIC, FUNCTION ANSI, CSA Models	
	49612GT	O-RING KIT (ORFS FITTINGS)	
	33994GT	PLUG AND CAP KIT-SERVICE, 37?***	
	49613GT	PLUG AND CAP KIT-SERVICE, ORFS*	
1	97206GT	VALVE-HAND PUMP A, Auxiliary down	
1-	44224GT	SEAL KIT, VALVE	
2	97204GT	VALVE-RELIEF, 600PSI B, Turntable rotate circuit	
3	97205GT	VALVE-DIFFERENTIAL, DIRECTIONAL C, Returns extra hydraulic fluid to tank when operating turntable rotate function	
3-	62337GT	SEAL KIT, VALVE	
4	826779GT	VALVE, SHUTTLE D, Turntable rotate circuit	
4-	44235GT	SEAL KIT-FOR PN.44216 & 826779	
4-	97187GT	PLUG	
5	62336GT	ORIFICE PLUG, 0.040 E, Restricts turntable rotate fluid flow	
5-	97187GT	PLUG	
6	62817GT	VALVE-SOLENOID, 2 POS 3 WAY*** F, Secondary boom down	
6-	52371GT	SEAL KIT, VALVE	
6-	77709GT	COIL, #8 20VDC, DEUTSCH W/DIOD	
6-	65082GT	NUT-VALVE	
7	48997GT	NIPPLE, DIAGNOSTIC, #4 G, Testing	
7-	45643GT	CAP, DUST, DIAGNOSTIC NIPPLE	
8	62817GT	VALVE-SOLENOID, 2 POS 3 WAY*** H, Primary boom down	
8-	52371GT	SEAL KIT, VALVE	
8-	77709GT	COIL, #8 20VDC, DEUTSCH W/DIOD	
8-	65082GT	NUT-VALVE	
9	97203GT	VALVE-RELIEF, 1600PSI I, Primary boom circuit	
10	62817GT	VALVE-SOLENOID, 2 POS 3 WAY*** J, Primary boom up	
10-	52371GT	SEAL KIT, VALVE	
10-	77709GT	COIL, #8 20VDC, DEUTSCH W/DIOD	



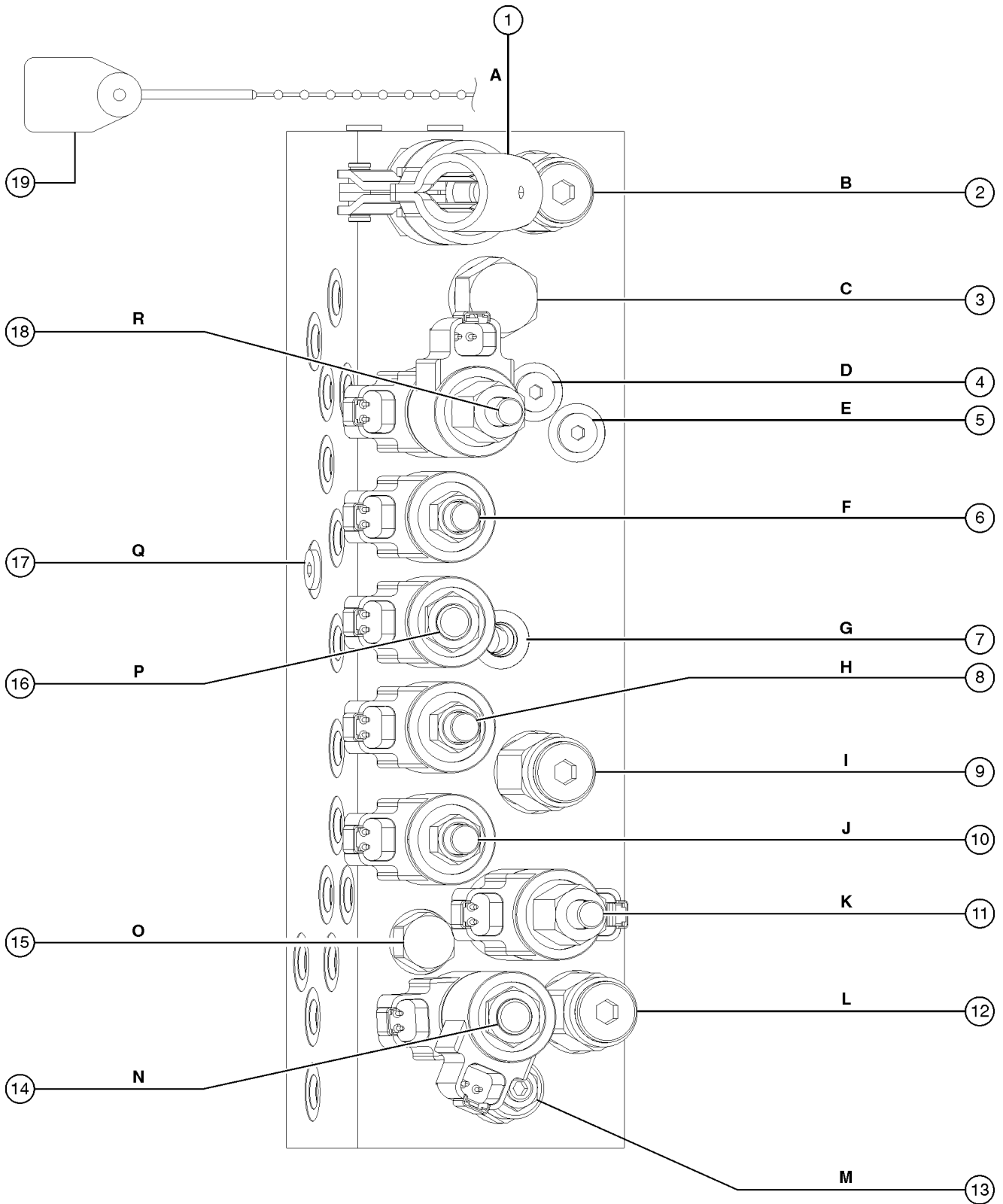
601.1 Function Manifold



Item	Part No.	Description	Qty.
10-	65082GT	NUT-VALVE	
11	62816GT	VALVE-SOLENOID, 3POS 4 WAY*** ANSI, CSA Models; K, Boom extend retract	
11A-	44229GT	SEAL KIT, VALVE	
11A-	77709GT	COIL,#8 20VDC,DEUTSCH W/DIOD	
11A-	44236GT	SPACER-DUAL COIL,#8***	
11A-	84608GT	NUT-VALVE	
12	52374GT	VALVE,RELIEF,3000PSI,GS68PUMP1 L, System relief	
12-	44227GT	SEAL KIT, VALVE	
13	62506GT	VALVE - COUNTERBALANCE** M, Outrigger retract circuit	
13-	43018GT	SEAL KIT (39345)	
14	52912GT	VALVE-SOLENOID,3POSITION,4WAY* N, Outrigger extend/retract	
14-	44229GT	SEAL KIT, VALVE	
14-	77709GT	COIL,#8 20VDC,DEUTSCH W/DIOD	
14-	44236GT	SPACER-DUAL COIL,#8***	
14-	77709GT	COIL,#8 20VDC,DEUTSCH W/DIOD	
14-	84608GT	NUT-VALVE	
15	74508GT	VALVE,CHECK,COBA-X*N 200PSI PO O, Outrigger retract circuit	
15-	44233GT	SEAL KIT-FOR PN. 44217	
16	62815GT	VALVE,SOLENOID,2POS 3 WAY*** P, Secondary boom up (does not include a coil)	
16-	52371GT	SEAL KIT, VALVE	
16-	77709GT	COIL,#8 20VDC,DEUTSCH W/DIOD (not a component of 62815)	
16-	84608GT	NUT-VALVE	
16-	76618GT	ORIFICE, CUSTOM .046	
17	97210GT	ORIFICE,0.080 INCH Q, Restricts platform down fluid flow	
17-	97187GT	PLUG	
18	97200GT	VALVE-SOLENOID, 3POS 4WAY ANSI, CSA Models; R, Turntable rotate left/right	
18-	44229GT	SEAL KIT, VALVE	
18-	77709GT	COIL,#8 20VDC,DEUTSCH W/DIOD	

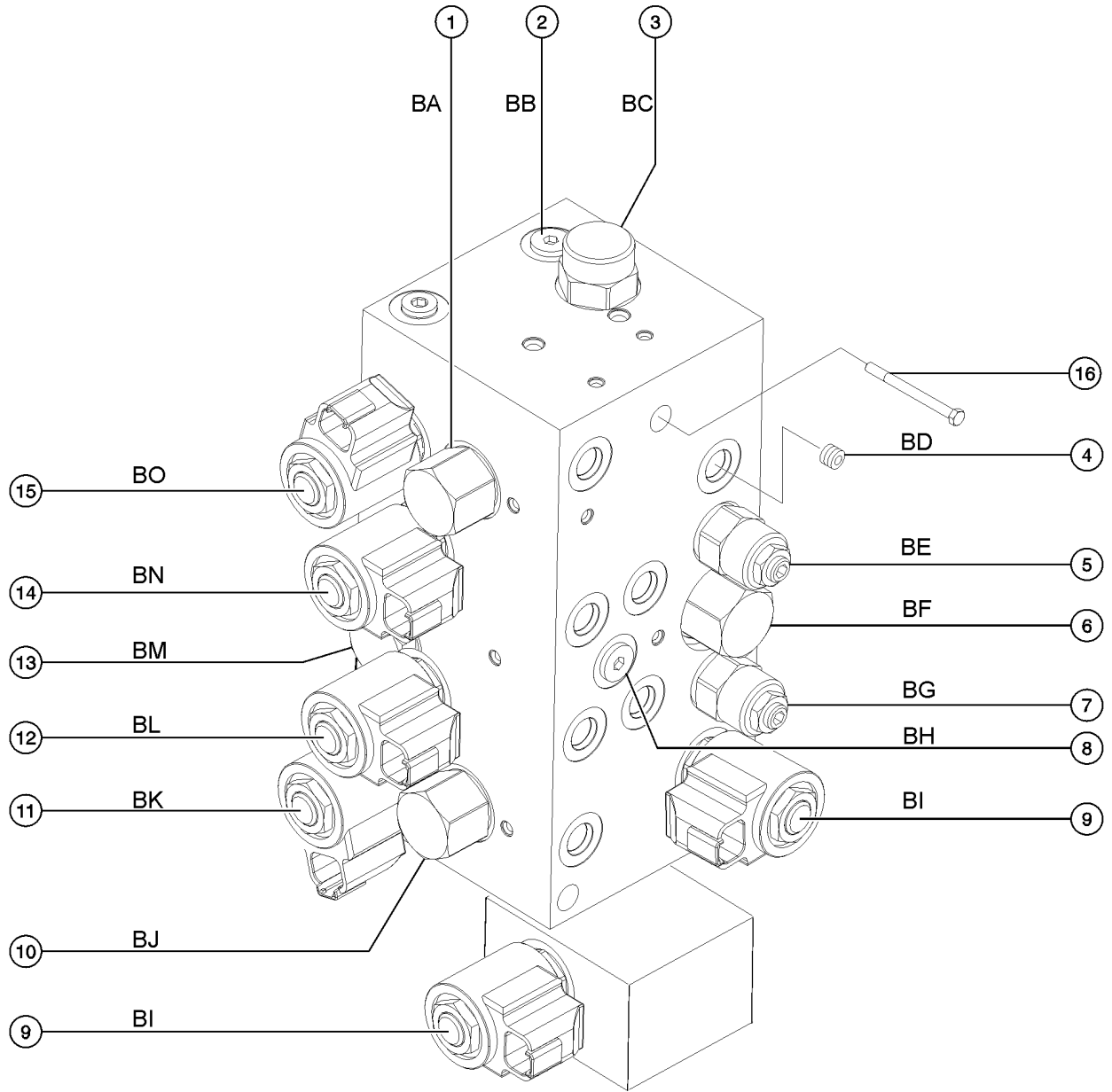


601.1 Function Manifold



<i>Item</i>	<i>Part No.</i>	<i>Description</i>	<i>Qty.</i>
18-	44236GT	SPACER-DUAL COIL,#8***	
18-	84608GT	NUT-VALVE	
18-	105357GT	ORIFICE DISC, 0.035"	
19	1261459GT	TIE, RED BEADED SECURITY	

602.1 Drive Manifold - Models with Drive Option

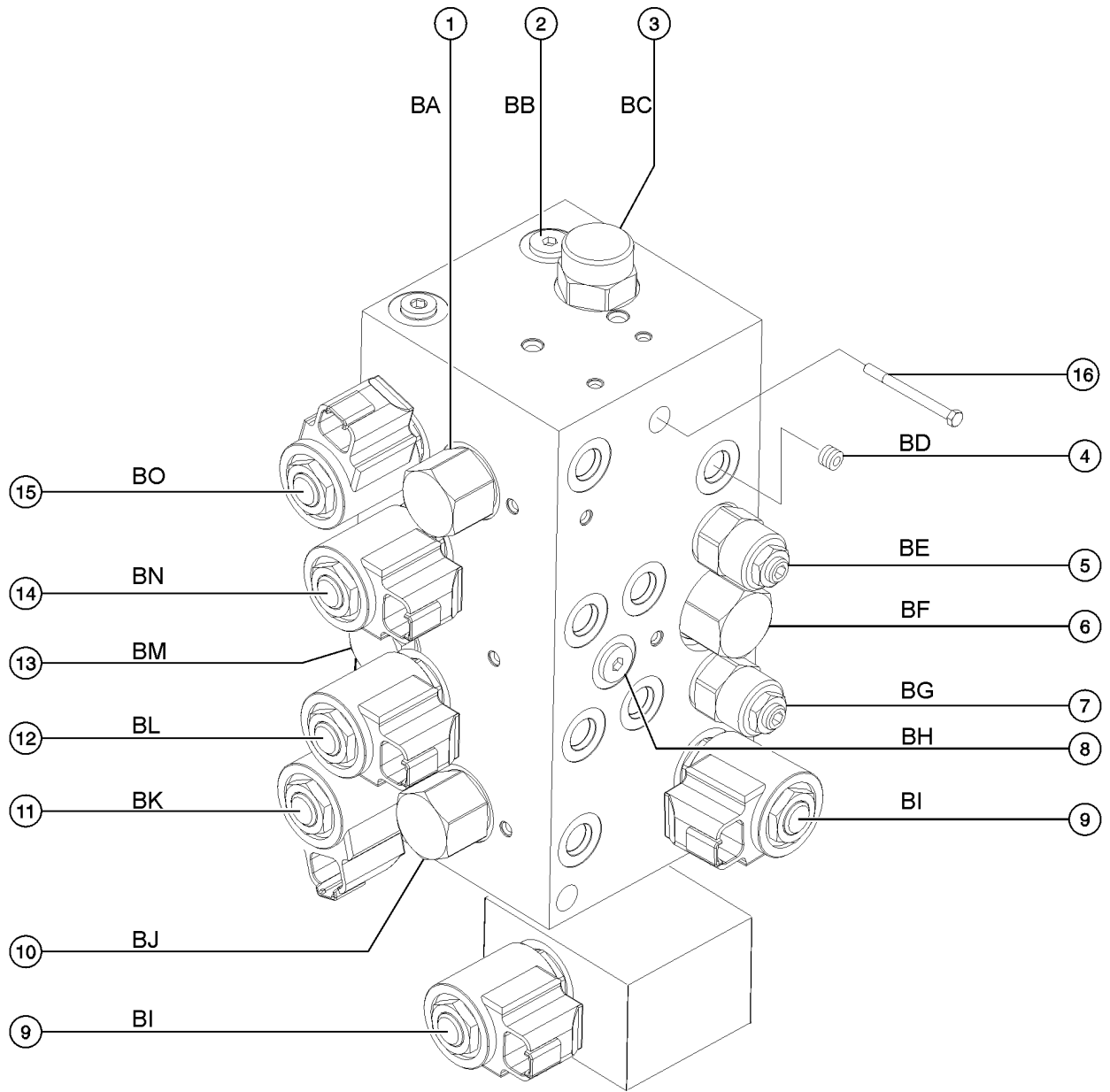


602.1 Drive Manifold - Models with Drive Option

Item	Part No.	Description	Qty.
-	76761GT	MANIFOLD,HYDRAULIC,DRIVE***	
-	49612GT	O-RING KIT (ORFS FITTINGS)	
-	33994GT	PLUG AND CAP KIT-SERVICE,37?*	
-	49613GT	PLUG AND CAP KIT-SERVICE,ORFS*	
1	97179GT	VALVE-DIFFERENTIAL,DIRECTIONAL BA, Maintains traction equal to BJ	
1-	62337GT	SEAL KIT, VALVE	
2	97185GT	ORIFICE,0.090 INCH BB, Drive circuit	
2-	97187GT	PLUG	
3	97178GT	VALVE-DIFFERENTIAL,SENSING BC, Maintains torque while driving	
3-	44225GT	SEAL KIT, VALVE	
4	97185GT	ORIFICE,0.090 INCH BD, Pump 2 circuit	
4-	97187GT	PLUG	
5	33549GT	VALVE,COUNTERBAL.CBCH-LJN BE, Drive circuit, left side	
5-	43018GT	SEAL KIT (39345)	
6	97205GT	VALVE-DIFFERENTIAL,DIRECTIONAL BF, Returns pump 2 hydraulic fluid to tank when not driving	
6-	62337GT	SEAL KIT, VALVE	
7	33549GT	VALVE,COUNTERBAL.CBCH-LJN BG, Drive circuit, right side	
7-	43018GT	SEAL KIT (39345)	
8	826779GT	VALVE, SHUTTLE BH, Drive circuit	
8-	44235GT	SEAL KIT-FOR PN.44216 & 826779	
8-	97187GT	PLUG	
9	97171GT	VALVE-SOLENOID, 2POS 3WAY BI, Brake release	
9-	89864GT	SEAL KIT,SOLENOID VALVE, SV07	
9-	77709GT	COIL,#8 20VDC,DEUTSCH W/DIOD	
9-	44174GT	NUT-COIL SHORT	
10	97179GT	VALVE-DIFFERENTIAL,DIRECTIONAL BJ, Maintains traction equal to BA	
10-	62337GT	SEAL KIT, VALVE	
11	97181GT	VALVE-SOLENOID, 2POS 3WAY BK, Drive circuit, right side	



602.1 Drive Manifold - Models with Drive Option

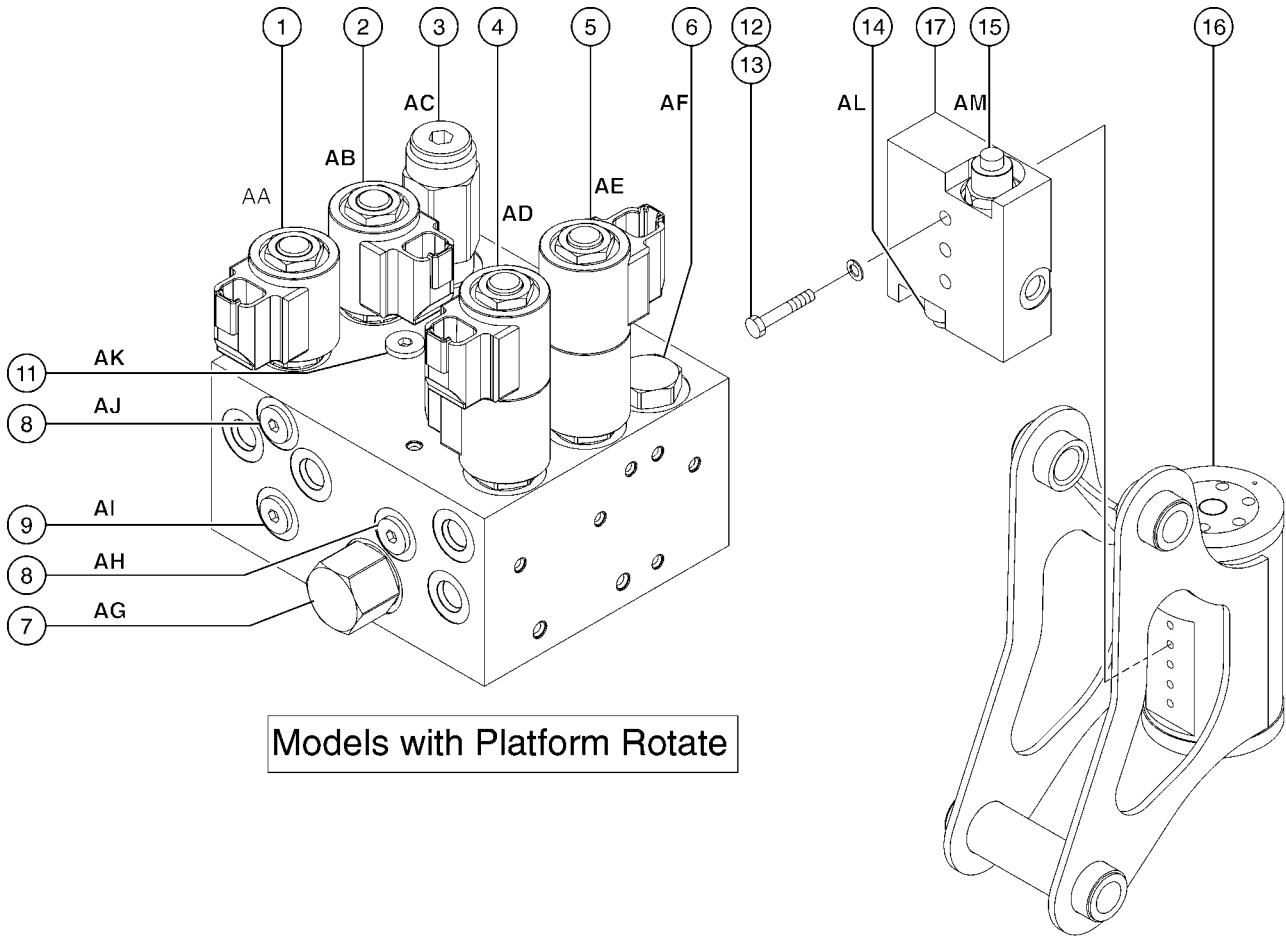


602.1 Drive Manifold - Models with Drive Option

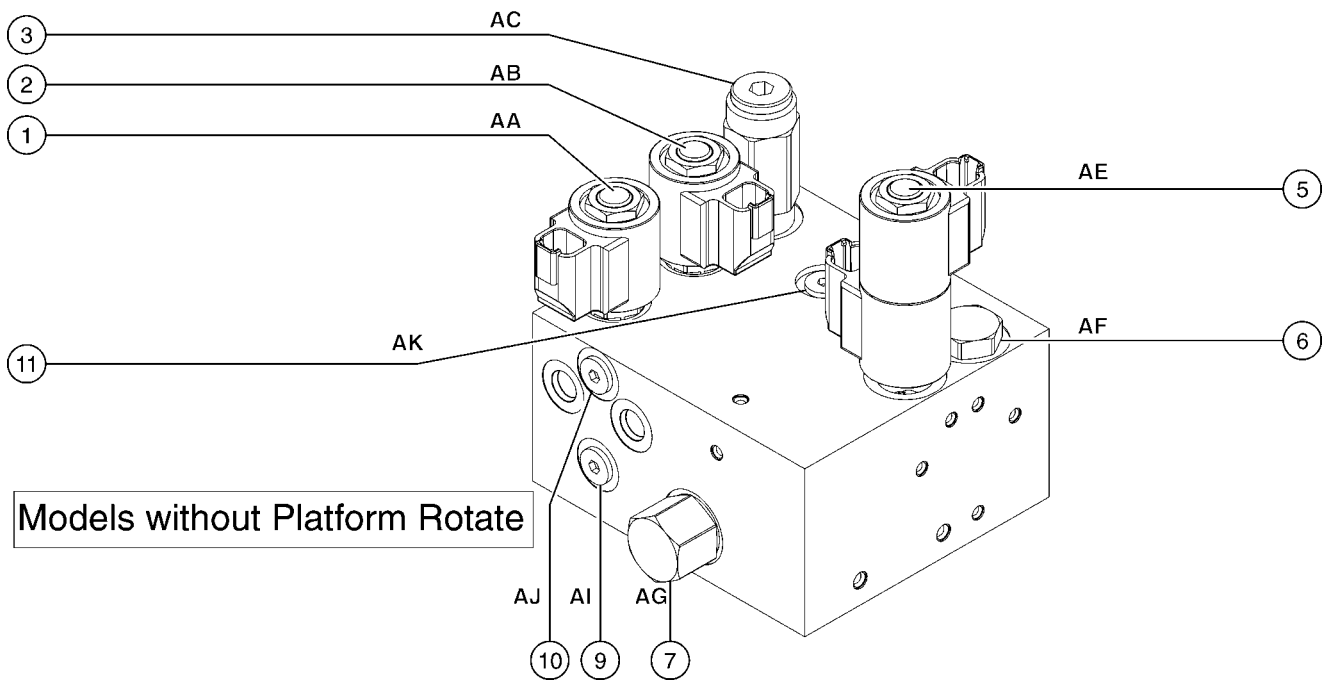
Item	Part No.	Description	Qty.
11-	44227GT	SEAL KIT, VALVE	
11-	77709GT	COIL,#8 20VDC,DEUTSCH W/DIOD	
11-	44174GT	NUT-COIL SHORT	
12	97183GT	VALVE-SOLENOID, 2POS 4WAY	
		BL, Drive circuit, right side	
12-	43019GT	SEAL KIT, FOR #39346 VALVE	
12-	77709GT	COIL,#8 20VDC,DEUTSCH W/DIOD	
12-	44174GT	NUT-COIL SHORT	
13	46216GT	VALVE,CHECK,IWP-S/CWP PWR ASSI	
		BM, Pump 2 circuit	
13-	44227GT	SEAL KIT, VALVE	
14	97183GT	VALVE-SOLENOID, 2POS 4WAY	
		BN, Drive circuit, left side	
14-	43019GT	SEAL KIT, FOR #39346 VALVE	
14-	77709GT	COIL,#8 20VDC,DEUTSCH W/DIOD	
14-	44174GT	NUT-COIL SHORT	
15	97181GT	VALVE-SOLENOID, 2POS 3WAY	
		BO, Drive circuit, left side	
15-	44227GT	SEAL KIT, VALVE	
15-	77709GT	COIL,#8 20VDC,DEUTSCH W/DIOD	
15-	44174GT	NUT-COIL SHORT	
16	1256173GT	SCREW,HHC,3/8-16X4.5,8,ZAG	3



603.1 Jib and Platform Rotate Manifolds



Models with Platform Rotate



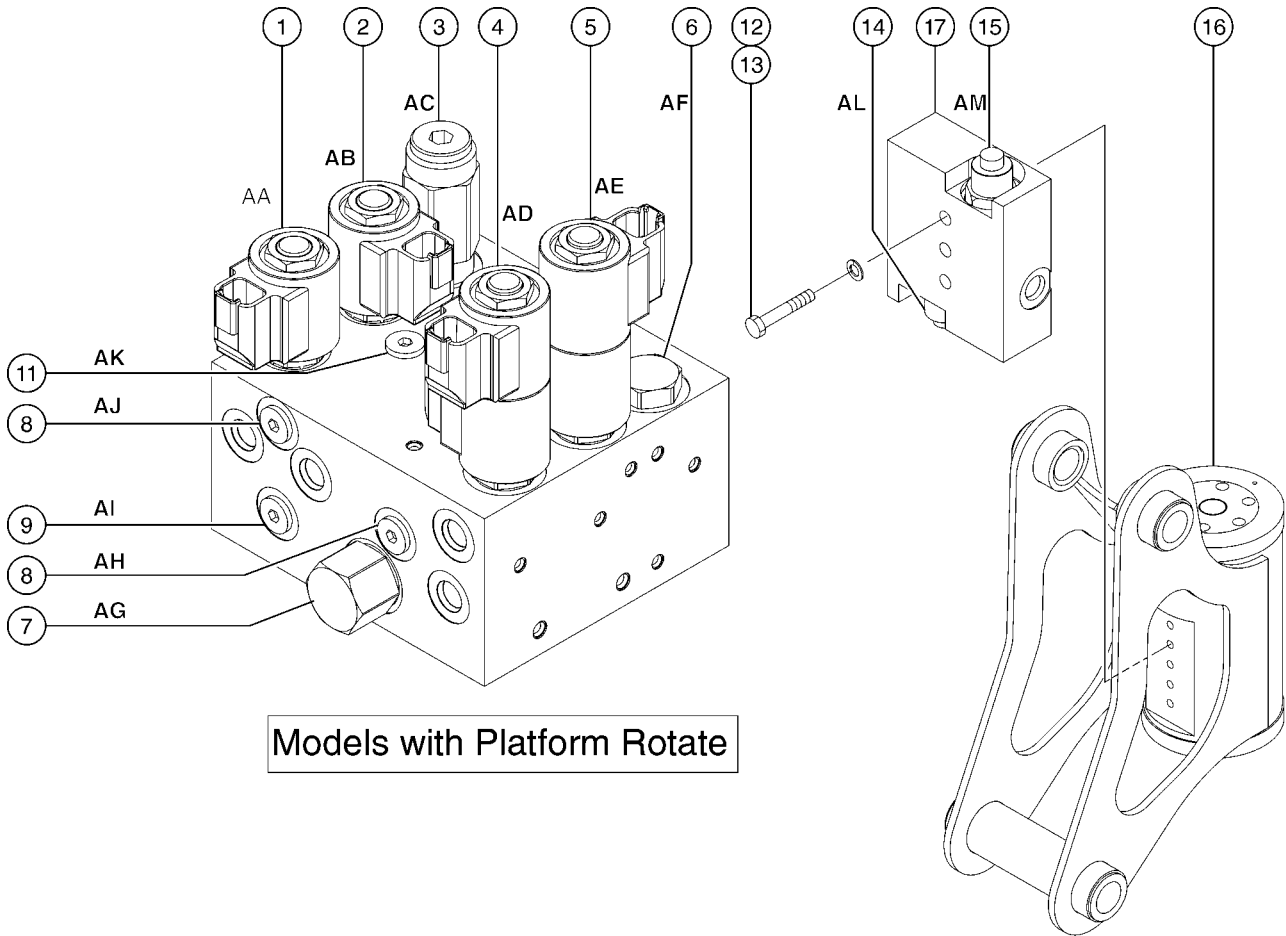
Models without Platform Rotate

603.1 Jib and Platform Rotate Manifolds

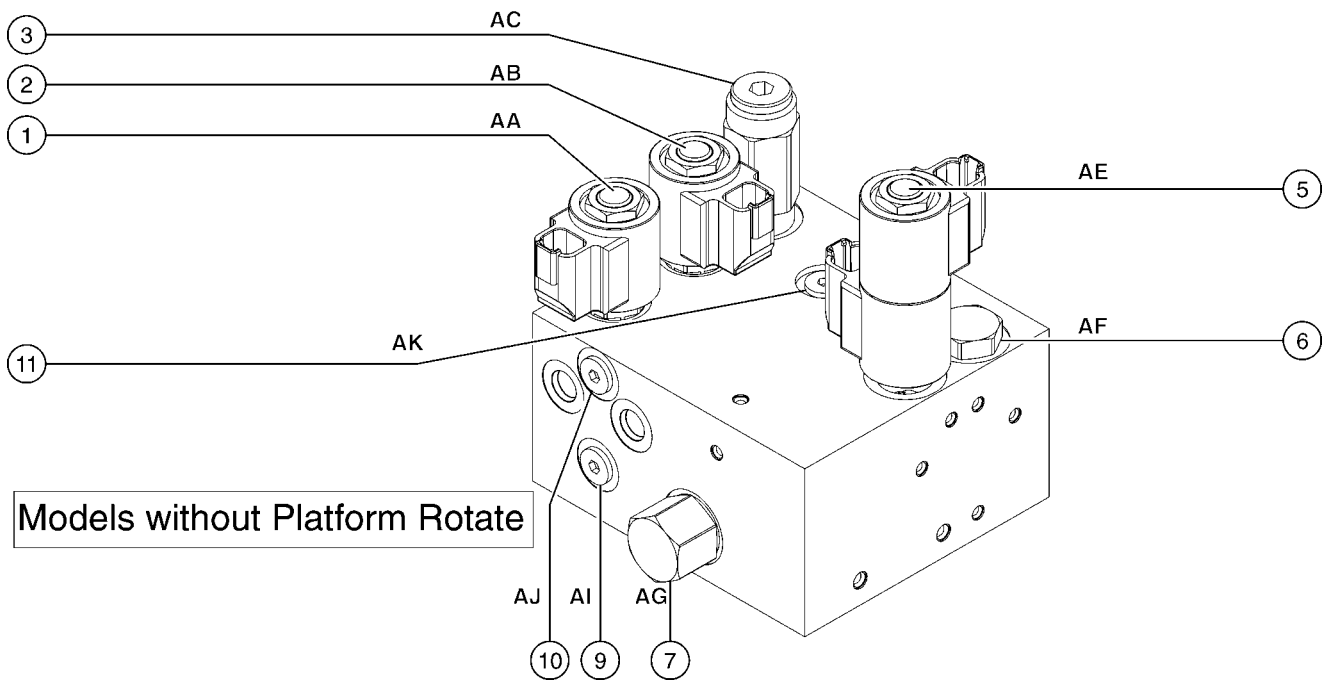
Item	Part No.	Description	Qty.
-	104126GT	MANIFOLD, HYDRAULIC, JIB models without platform rotate	
-	99787GT	MANIFOLD, HYDRAULIC, JIB W/PR models with platform rotate	
-	56929GT	MANIFOLD, ROTATOR, 180 DEG. *** models with platform rotate	
-	62507GT	O-RING, ROTATOR MANIFOLD	
-	49612GT	O-RING KIT (ORFS FITTINGS)	
-	33994GT	PLUG AND CAP KIT-SERVICE, 37? **	
-	49613GT	PLUG AND CAP KIT-SERVICE, ORFS*	
1	97171GT	VALVE-SOLENOID, 2POS 3WAY AA, Jib boom up	1
1-	89864GT	SEAL KIT, SOLENOID VALVE, SV07	
1-	77709GT	COIL, #8 20VDC, DEUTSCH W/DIOD	
1-	44174GT	NUT-COIL SHORT	
2	97171GT	VALVE-SOLENOID, 2POS 3WAY AB, Jib boom down	1
2-	89864GT	SEAL KIT, SOLENOID VALVE, SV07	
2-	77709GT	COIL, #8 20VDC, DEUTSCH W/DIOD	
2-	44174GT	NUT-COIL SHORT	
3	52376GT	VALVE, RELIEF, 3500PSI *** AC, Platform level circuit	1
3-	44227GT	SEAL KIT, VALVE	
4	39346GT	VALVE, SOLENOID 3 POS. 4 WAY *** AD, Platform rotate left/right	1
4-	44229GT	SEAL KIT, VALVE	
4-	77709GT	COIL, #8 20VDC, DEUTSCH W/DIOD	
4-	44236GT	SPACER-DUAL COIL, #8 ***	
4-	77709GT	COIL, #8 20VDC, DEUTSCH W/DIOD	
4-	44174GT	NUT-COIL SHORT	
5	39346GT	VALVE, SOLENOID 3 POS. 4 WAY *** AE, Platform up/down	1
5-	44229GT	SEAL KIT, VALVE	
5-	77709GT	COIL, #8 20VDC, DEUTSCH W/DIOD	
5-	44236GT	SPACER-DUAL COIL, #8 ***	
5-	77709GT	COIL, #8 20VDC, DEUTSCH W/DIOD	



603.1 Jib and Platform Rotate Manifolds



Models with Platform Rotate

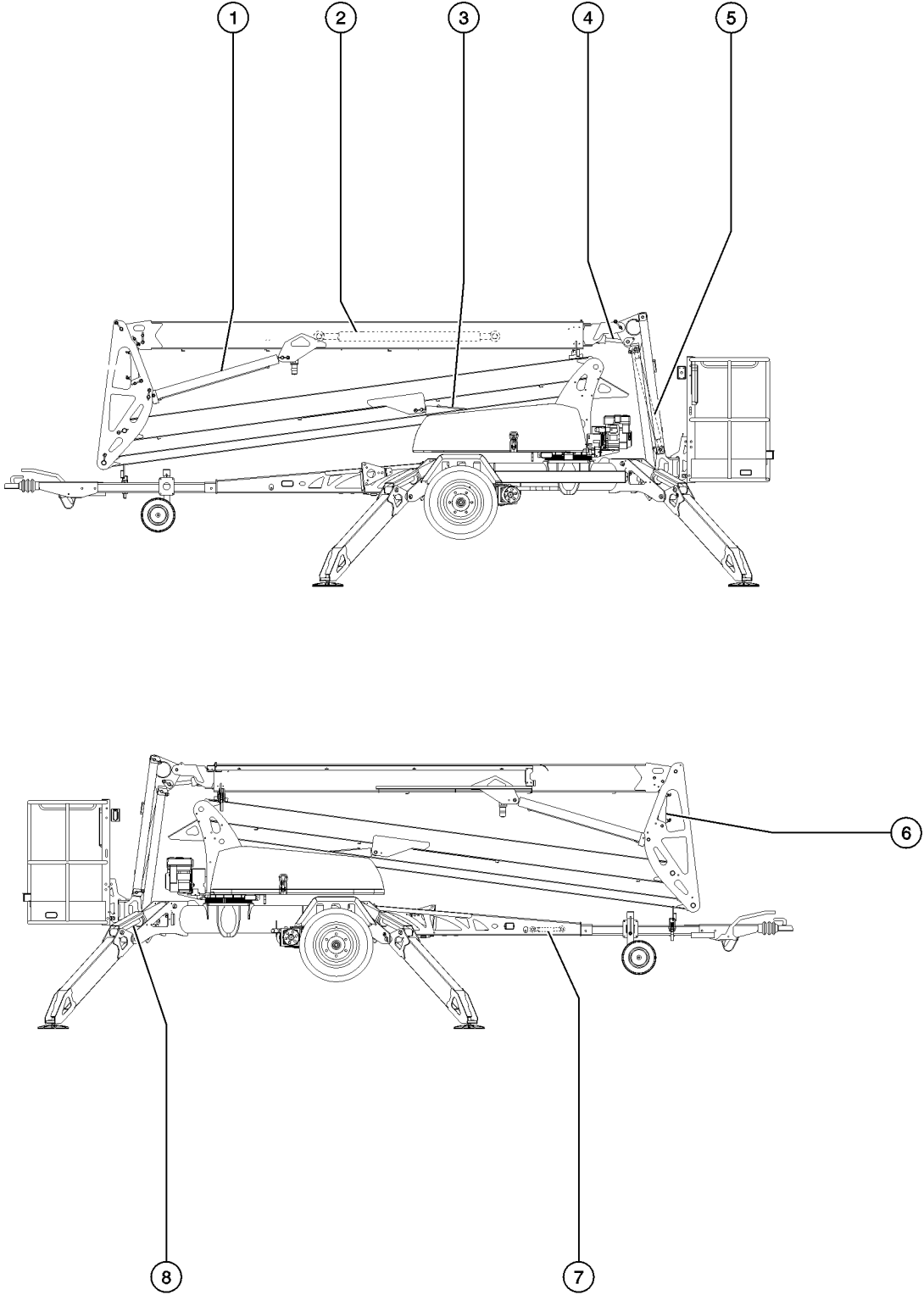


Models without Platform Rotate

Item	Part No.	Description	Qty.
5-	44174GT	NUT-COIL SHORT	
6	101958GT	VALVE,CHECK,DUAL PILOT,135 PSI	1
6-	44229GT	SEAL KIT, VALVE	
7	97205GT	VALVE-DIFFERENTIAL,DIRECTIONAL AG, Maintains fluid flow to jib boom, platform level and platform rotate functions	1
7-	62337GT	SEAL KIT, VALVE	
8	62336GT	ORIFICE PLUG, 0.040 AH, Platform rotate circuit	2
8-	97187GT	PLUG	
9	79496GT	ORIFICE-PLUG, 0.055 INCH AI, Jib boom up circuit	1
9-	97187GT	PLUG	
10	62336GT	ORIFICE PLUG, 0.040 AJ, Jib boom down circuit	1
10-	97187GT	PLUG	
11	826779GT	VALVE, SHUTTLE AK, Platform level circuit	1
11-	44235GT	SEAL KIT-FOR PN.44216 & 826779	
11-	97187GT	PLUG	
12	6145GT	SCREW, HHC, 1/4-20 X 1.5	
13	6356GT	WASHER, LOCK, .25	
14	62506GT	VALVE - COUNTERBALANCE** AL, Platform rotate left	1
14-	43018GT	SEAL KIT (39345)	
15	62506GT	VALVE - COUNTERBALANCE** AM, Platform rotate right	1
15-	43018GT	SEAL KIT (39345)	
16		ref. Platform Rotator (refer to 501.1)	
17	56929GT	MANIFOLD,ROTATOR,180 DEG.***	1



604.1 Hydraulic Cylinders

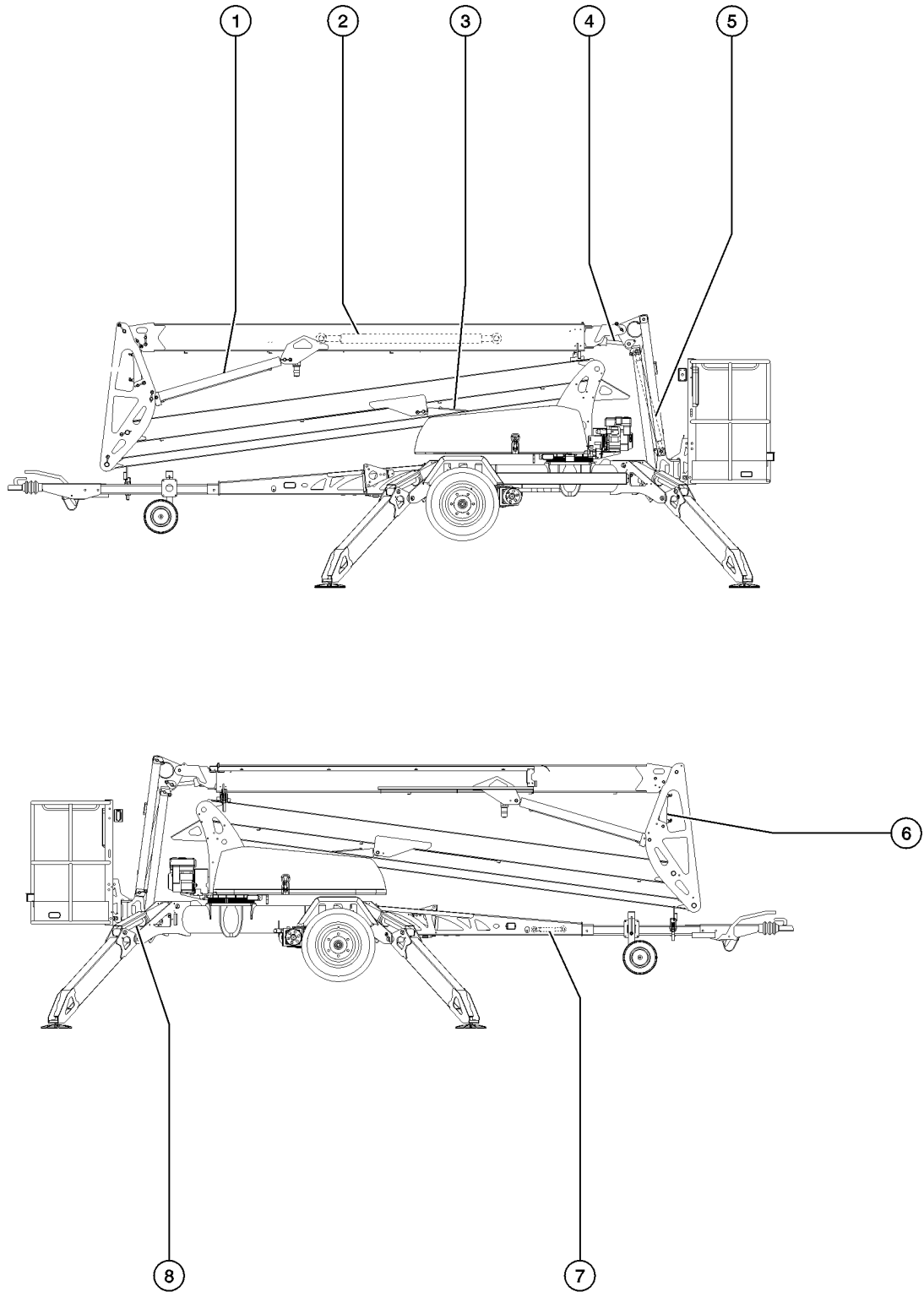


604.1 Hydraulic Cylinders

Item	Part No.	Description	Qty.
1	T108049GT	CYLINDER, PRIMARY LIFT to SN TZ50F-5272	1
1-	T108062GT	SEAL KIT, CYLINDER T108049	
1B	1298579GT	CYLINDER, PRIMARY LIFT TZ50 from SN TZ50F-5273	1
1B-	1302627GT	KIT, SEAL, CYLINDER FOR 1298577/1298579	
2	T108051GT	CYLINDER, EXTENSION to SN TZ50F-5269	1
2-	T108064GT	SEAL KIT, CYLINDER T108051	
2B	1298581GT	CYLINDER, EXTENSION TZ50 from SN TZ50F-5270	1
2B-	1302630GT	KIT, SEAL, CYLINDER FOR 1298581	
3	T108047GT	CYLINDER, SECONDARY LIFT to SN TZ50F-5240	1
3-	T108060GT	SEAL KIT, CYL T108047	
3B	1298577GT	CYLINDER, SECONDARY LIFT TZ50 from SN TZ50F-5241	1
3B-	1302627GT	KIT, SEAL, CYLINDER FOR 1298577/1298579	
4	T108052GT	CYLINDER, SLAVE to SN TZ50F-5293	1
4-	T108050GT	CYLINDER, MASTER	
4B	1298582GT	CYLINDER, SLAVE TZ50 from SN TZ50F-5294	1
4B-	1302631GT	KIT, SEAL, CYLINDER FOR 1298582	
5	T108053GT	CYLINDER, JIB to SN TZ50F-5270	1
5-	T108066GT	SEAL KIT, CYL T108053	
5B	1298583GT	CYLINDER, JIB TZ50 from SN TZ50F-5271	1
5B-	1302632GT	KIT, SEAL, CYLINDER FOR 1298583	
6	T108050GT	CYLINDER, MASTER to SN TZ50F-5293	1
6-	T108063GT	SEAL KIT, CYL T108050	
6B	1298580GT	CYLINDER, MASTER TZ50 from SN TZ50F-5294	1
6B-	1302629GT	KIT, SEAL, CYLINDER FOR 1298580	
7	67706GT	CYLINDER, PARKING BRK TMZ50***	1
8	T108048GT	CYLINDER, OUTRIGGER to SN TZ50F-5257	4
8-	T108061GT	SEAL KIT, CYLINDER T108048	
8B	1298578GT	CYLINDER, OUTRIGGER TZ50 from SN TZ50F-5258	4



604.1 Hydraulic Cylinders

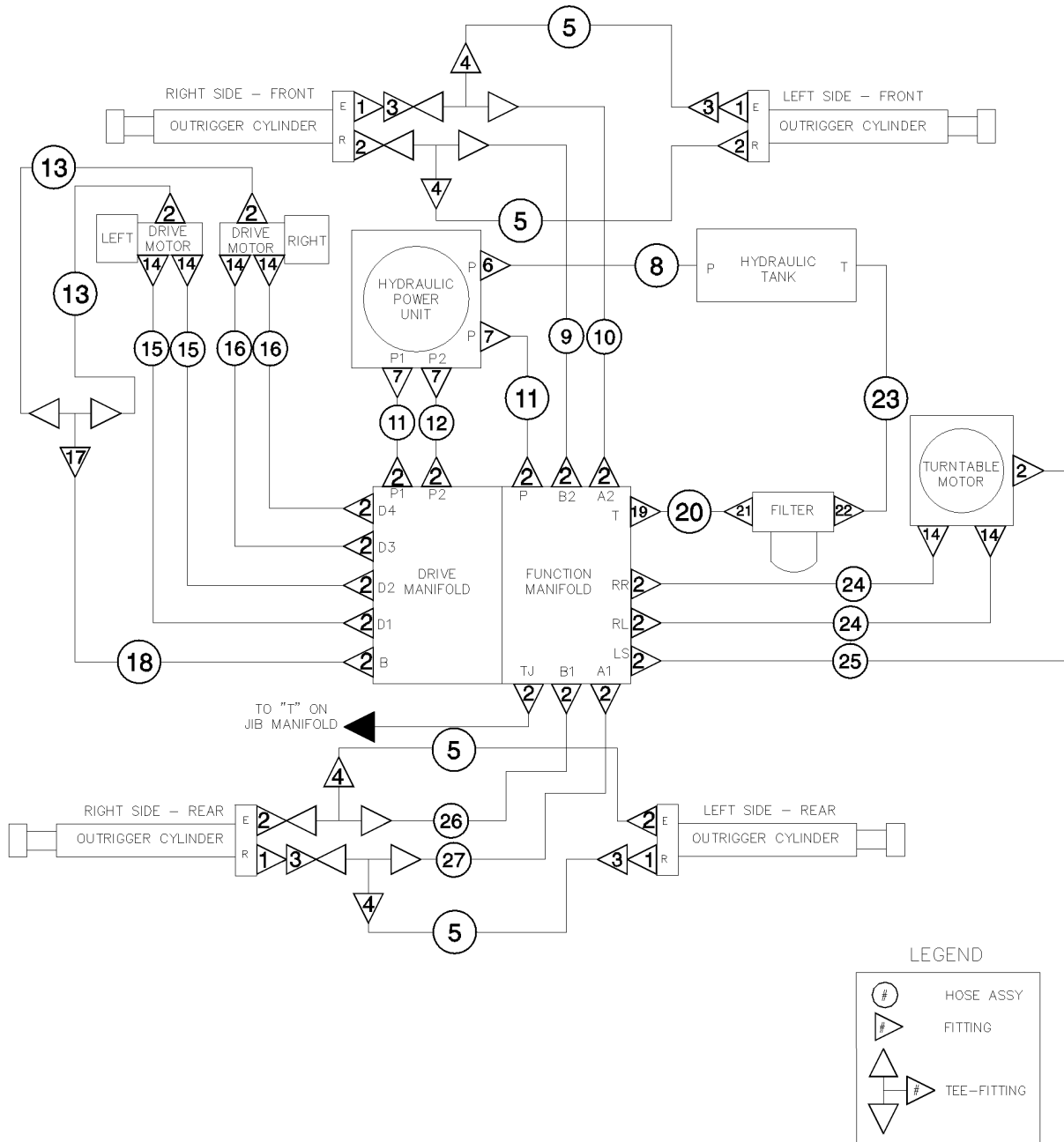


604.1 Hydraulic Cylinders

<i>Item</i>	<i>Part No.</i>	<i>Description</i>	<i>Qty.</i>
8B-	1302628GT	KIT,SEAL,CYLINDER FOR 1298578	



605.1 Hydraulic Hoses and Fittings - Chassis - ANSI Models With Drive Manifold

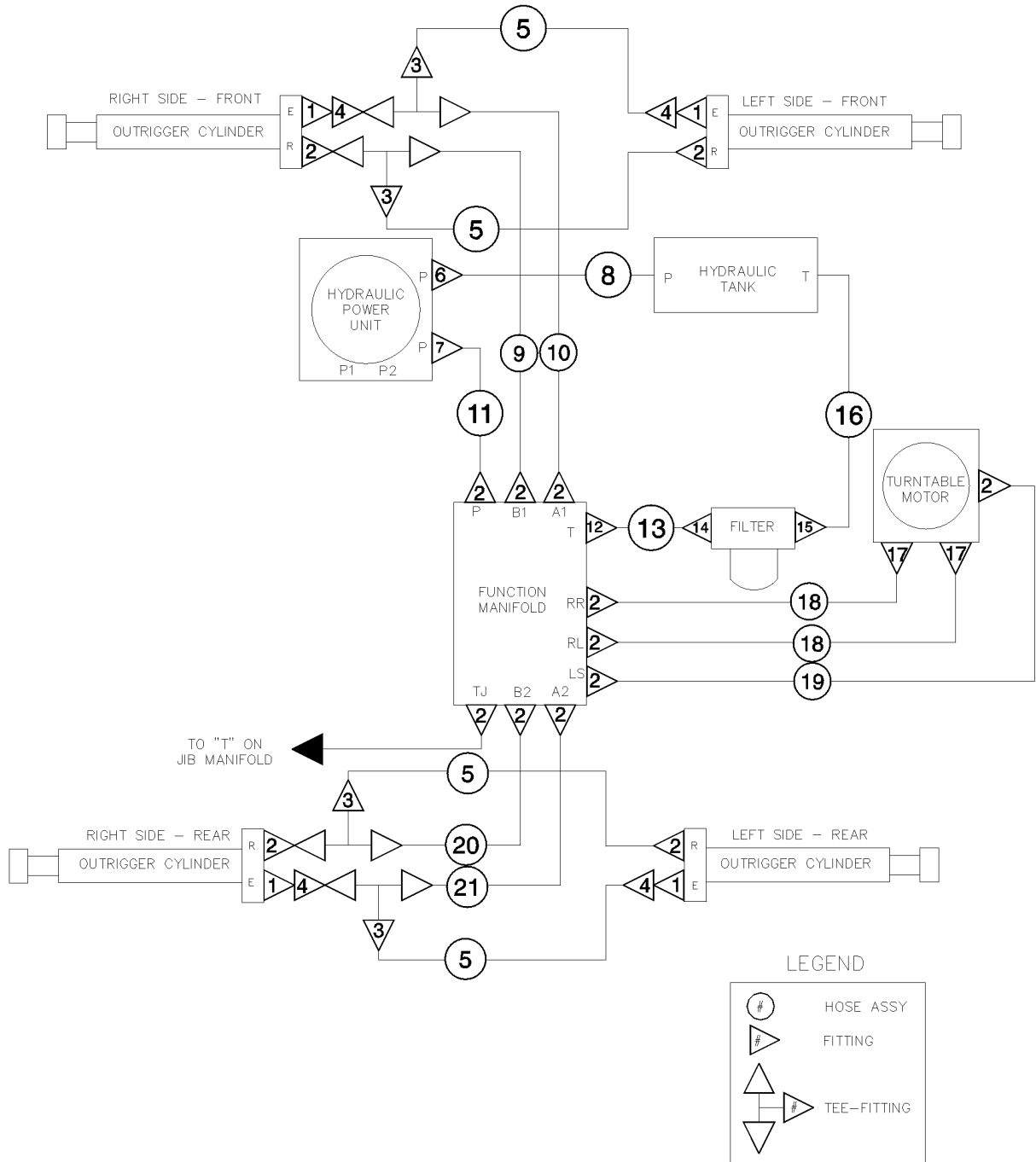


605.1 Hydraulic Hoses and Fittings -Chassis - ANSI Models With Drive Manifold

Item	Part No.	Description	Qty.
1	48912GT	CONN,520120-4-6***	4
2	48905GT	CONNECTOR, 520120-4	23
3	55558GT	ORIFICE LONG M. 0.37***	4
4	48906GT	TEE,RUN,520428-4	4
5	1304754GT	HSE ASSY,LT SIDE OTRG CYL-"T"	4
6	48960GT	FITTING,CONN,520120-12***	1
7	74136GT	VALVE,CHK,#8PORT-#6MALEORFS***	3
8	104136GT	TUBE ASSY,SUCTION	1
9	1304755GT	HOSE ASSY,OTRG FRT RETRACT-B2	1
10	1304756GT	HOSE ASSY,OTRG FRONT EXTEND-A2	1
11	1304779GT	HOSE ASSY,HYD POWER UNIT-DR MN	2
12	1304753GT	HOSE ASSY,HYD POWER UNIT-DR MN	1
13	1304782GT	HOSE ASSY,BRAKE "T"-MOTOR BRK	2
14	48931GT	CONN,520120-6-10	6
15	1304785GT	HOSE ASSY,DR MOTOR-DR MANIFOLD	2
16	1304783GT	HOSE ASSY,DR MOTOR-DR MANIFOLD	2
17	42758GT	TEE,UNION,520401-4	1
18	1304784GT	HOSE ASSY,BRAKE "T"-DRIVE MAN	1
19	80502GT	CONN,070120-8-8	1
20	1304788GT	HOSE ASSY,MANIFOLD-FILTER	1
21	45357GT	ELBOW,070220-8-8***	1
22	104346GT	CONNECTOR, 520120 12-8	1
23	104137GT	TUBE ASSY,RETURN	1
24	1304759GT	HOSE ASSY,SWING MOTOR-FUNC MAN	2
25	1304760GT	HOSE ASSY,SWING MOTOR-FUNC MAN	1
26	1304757GT	HOSE ASSY,OTRG REAR RETRACT-B1	1
27	1304758GT	HOSE ASSY,OTRG REAR EXTEND-A1	1



606.1 Hydraulic Hoses and Fittings - Chassis - ANSI Models Without Drive Manifold

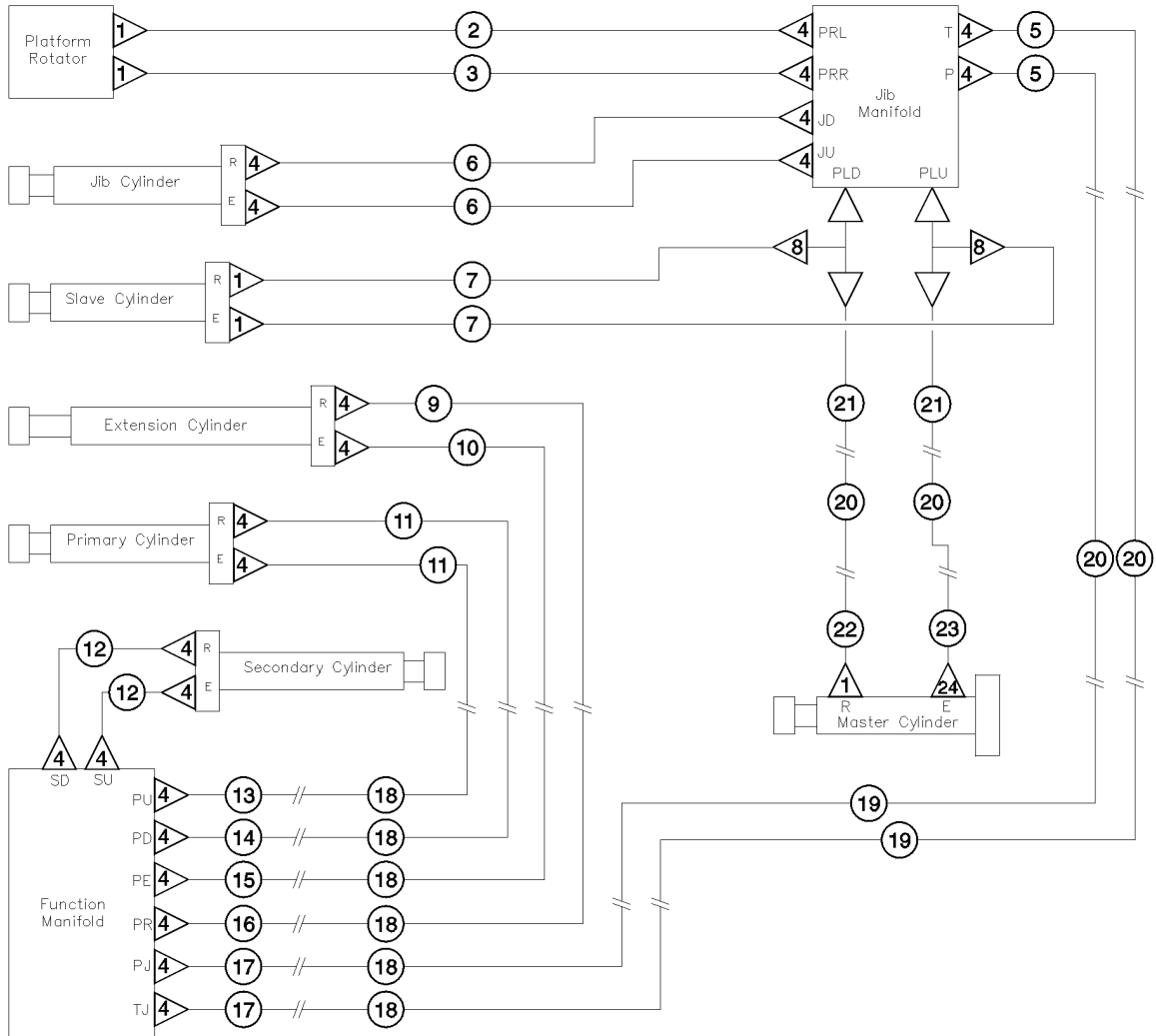


606.1 Hydraulic Hoses and Fittings - Chassis - ANSI Models Without Drive Manifold

Item	Part No.	Description	Qty.
1	48912GT	CONN,520120-4-6***	4
2	48905GT	CONNECTOR, 520120-4	14
3	48906GT	TEE,RUN,520428-4	4
4	55558GT	ORIFICE LONG M. 0.37***	4
5	1304754GT	HSE ASSY,LT SIDE OTRG CYL-"T"	4
6	48960GT	FITTING,CONN,520120-12***	1
7	74136GT	VALVE,CHK,#8PORT-#6MALEORFS***	1
8	104136GT	TUBE ASSY,SUCTION	1
9	1304755GT	HOSE ASSY,OTRG FRT RETRACT-B2	1
10	1304756GT	HOSE ASSY,OTRG FRONT EXTEND-A2	1
11	1304779GT	HOSE ASSY,HYD POWER UNIT-DR MN	1
12	80502GT	CONN,070120-8-8	1
13	1304788GT	HOSE ASSY,MANIFOLD-FILTER	1
14	45357GT	ELBOW,070220-8-8***	1
15	104346GT	CONNECTOR, 520120 12-8	1
16	104137GT	TUBE ASSY,RETURN	1
17	48931GT	CONN,520120-6-10	2
18	1304759GT	HOSE ASSY,SWING MOTOR-FUNC MAN	2
19	1304760GT	HOSE ASSY,SWING MOTOR-FUNC MAN	1
20	1304757GT	HOSE ASSY,OTRG REAR RETRACT-B1	1
21	1304758GT	HOSE ASSY,OTRG REAR EXTEND-A1	1



607.1 Hydraulic Hoses and Fittings - Boom System - ANSI Models With and Without Drive Manifold

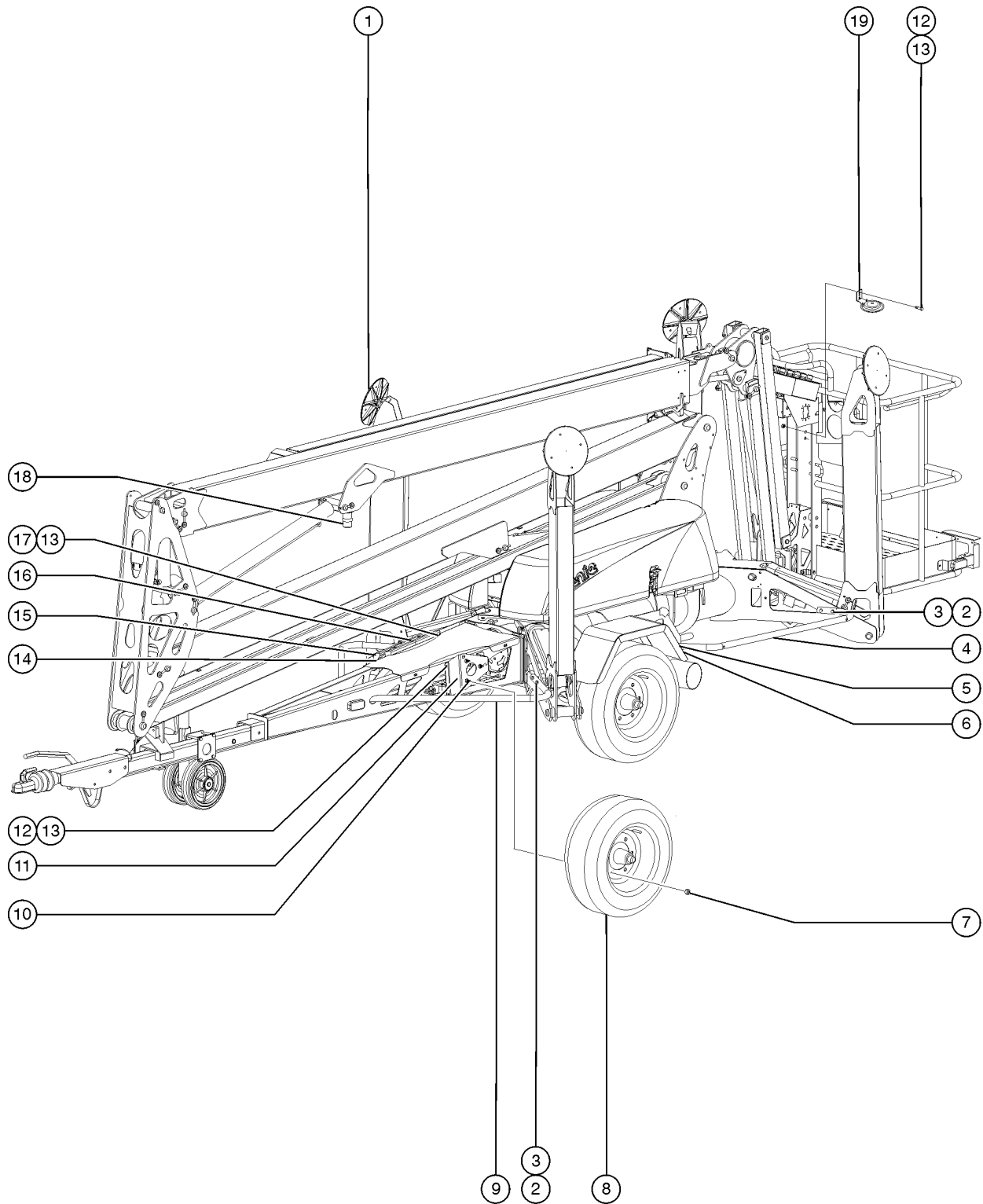


607.1 Hydraulic Hoses and Fittings - Boom System - ANSI Models With and Without Drive Manifold

Item	Part No.	Description	Qty.
1	48904GT	ELBOW, 90D, 520220-4	5
2	1304780GT	HOSE ASSY,JIB MAN-PLAT ROT,LT	1
3	1304781GT	HOSE ASSY,JIB MAN-PLAT ROT,RT	1
4	48905GT	CONNECTOR, 520120-4	22
5	825606GT	HOSE ASSY, JIB MANIF	2
6	1304773GT	HOSE ASSY,JIB MAN-JIB CYLINDER	2
7	1304774GT	HOSE ASSY,SLAVE CYL-JIB MANIF	2
8	48906GT	TEE,RUN,520428-4	2
9	1304767GT	HOSE ASSY,EXT CYL-HYD LINE***	1
10	1304766GT	HOSE ASSY,EXT CYL-HYD LINE***	1
11	1304761GT	HOSE ASSY,PRIMARY CYL-HYD LINE	2
12	1304765GT	HOSE ASSY,SEC CYL-FUNCTION MAN	2
13	1304763GT	HOSE,ASSY,FUNC MAN-HYD LINE	1
14	1304764GT	HOSE ASSY,FUNC MAN-HYD LINE***	1
15	1304770GT	HOSE ASSY,FUNC MAN-HYD LINE***	1
16	1304768GT	HOSE ASSY,FUNC MAN-HYD LINE***	1
17	1304769GT	HOSE ASSY,FUNC MAN-HYD LINE***	2
18	84652GT	HYD LINE ASSY,SECONDARY BOOM	6
19	1304771GT	HOSE ASSY,HYD LINE-HYD LINE***	2
20	84644GT	HYD LINE ASSY,PRIMARY BOOM	4
21	1304772GT	HOSE ASSY, JIB MANIF-HARDLINE	2
22	1304777GT	HOSE ASSY,MASTER CYL RET-HYD L	1
23	1304778GT	HOSE ASSY,MASTER CYL EXT-HUD L	1
24	48907GT	ELBOW,45D,520320-4	1



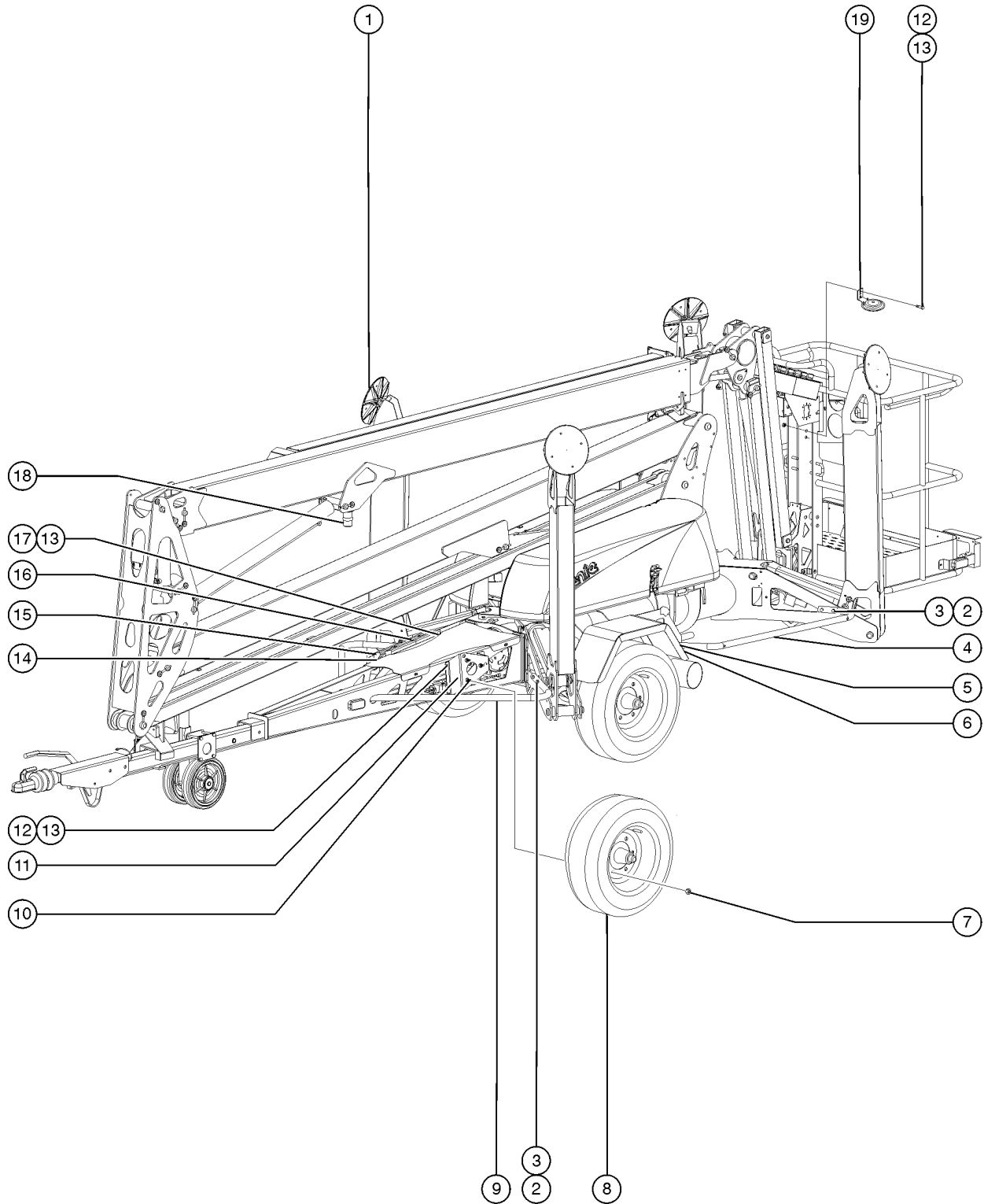
701.1 Accessories



Item	Part No.	Description	Qty.
-	99520-SGT	TZ-50 NON MARK FOOTPAD KIT (4)	
-	84944GT	SPARE TIRE KIT (ANSI AND CSA) ANSI and CSA models	
-	84946GT	CHOCK WHEEL KIT	
1		Ref. Non-Marking Footpad (refer to 204.1)	
2	8178GT	SCREW, HHC, 3/8-16 X 2.5	
3	6097GT	WASHER, FLAT, USS, 3/8", Y	
4	99796GT	TUBE, BIKE GUARD, REAR	2
5	99797GT	FORMING, BIKE GUARD BRKT	2
6	8516GT	SCREW, HCC, 3/8-16 X 1.50	
7	46717GT	NUT, 1/2-20, ACORN, TMZ34 ANSI and CSA models	3
8	99586GT	TIRE/WHEEL ASSY, ANSI, TZ50*** ANSI and CSA models	1
9	99795GT	TUBE, BIKE GUARD, FRONT	2
10	59570GT	NUT, NYLOCK, 1/2-20 ANSI and CSA models	
10B	59672GT	WASHER, STAR, INTERNAL	
10C	59569GT	SCREW, SHC, 1/2-20 X 2, FULL THRD	
10D	75015GT	WASHER, FLAT M16	
10E	104450GT	WASHER, STAR, INTERNAL, M16	
10F	60865GT	SCREW, SHC, M16 X 60MM, BLACK	
11	104208GT	FORMING, SPARE TIRE MOUNT	1
12	6175GT	SCREW, HHC, 3/8-16 X 1	
13	4828GT	NUT, NYLOCK, 3/8-16	
14	104402GT	FORMING, WHEEL CHOCK HOLDER	1
15	99216GT	CHOCK, WHEEL, 1750 LBS	2
16	104401GT	STRAP, RUBBER, 21.00W/S HOOKS	1
17	6175GT	SCREW, HHC, 3/8-16 X 1	
18	231931GT	STROBE, BEACON, AC COMP, 12-80V	
18-	105557GT	REPLACE BULB, FLASHING BEACON for 231931	
18-	105556GT	REPLACE COVER, FLASHING BEACON for 231931	



701.1 Accessories

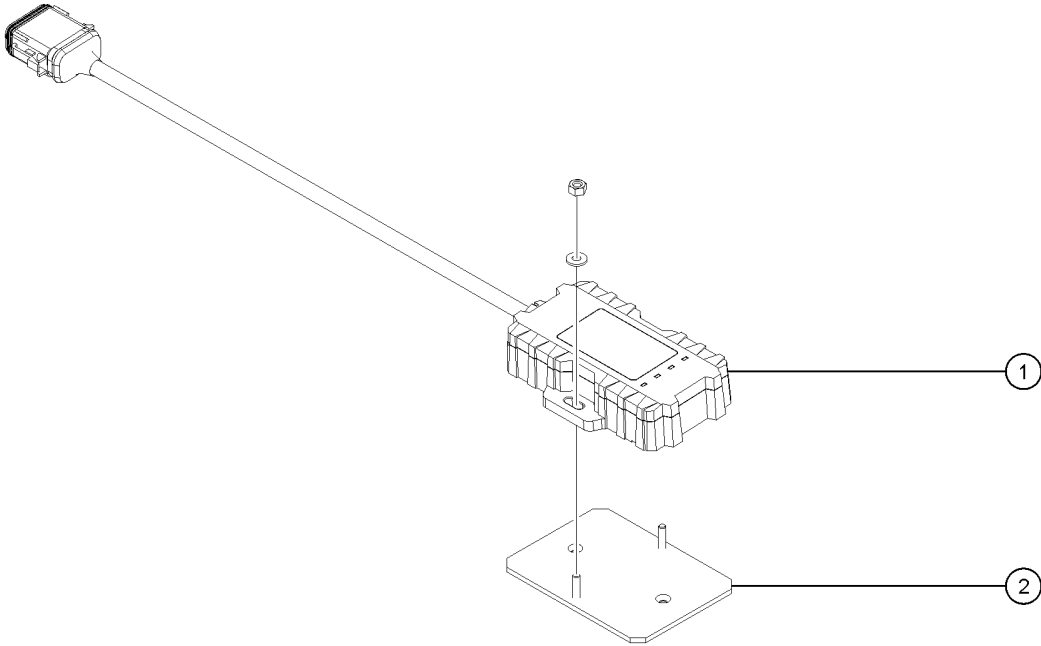


701.1 Accessories

<i>Item</i>	<i>Part No.</i>	<i>Description</i>	<i>Qty.</i>
18-	49819GT	SCREW,PHILLIPS,PHM,10-32 X .5	
18-	6178GT	NUT, NYLOCK, 10-32	
19	81579GT	HORN, 24VDC, SPADE TERMINALS***	1



702.1 Telematics Option



702.1 Telematics Option

<i>Item</i>	<i>Part No.</i>	<i>Description</i>	<i>Qty.</i>
-	1292198GT	HARNESS, RETROFIT, M7 for first time insulation, must order this Harness with one of the models 1289520GT, 1289521GT, 1289522GT, or 1289523GT	1
1	1289520GT	MODULE, TELEMATICS, ZTR, M7, NORTH AMERICA North America	1
1B	1289521GT	MODULE, TELEMATICS, ZTR, M7, EMEA/APAC EMEA/APAC	
1C	1289522GT	MODULE, TELEMATICS, ZTR, M7, APAC/ANZ APAC/ANZ	
1D	1289523GT	MODULE, TELEMATICS, ZTR, M7, JAPAN Japan	
2	1289561GT	BRACKET, TELEMATICS	1



<u>Part no.</u>	<u>Page Number</u>	<u>Part no.</u>	<u>Page Number</u>	<u>Part no.</u>	<u>Page Number</u>
1268GT	11	21496GT	59	42502GT	95
1484GT	11	21858GT	71, 75, 79, 83, 87	42758GT	147
4828GT	59, 105, 109, 111, 153	22446GT	59	43018GT	131, 135, 141
5387GT	109, 111	22571GT	25, 55	43019GT	137
5397GT	49, 59	23405GT	71, 75, 79, 83, 87, 103	43456GT	23, 93
6019GT	33, 59	24514GT	113, 117	43617GT	15
6024GT	23, 27	24647GT	31	43658GT	15, 19
6090GT	41, 59, 101, 105	25817GT	95	43956GT	67
6091GT	41, 43, 59, 105, 109, 111...	25969GT	13, 15, 19, 83, 87, 121...	44174GT	135, 137, 139, 141
6095GT	43	27581GT	11	44224GT	129
6097GT	153	28158GT	15, 19	44225GT	135
6145GT	141	28161GT	15	44227GT	131, 137, 139
6147GT	109, 111	28164GT	15	44229GT	131, 139, 141
6175GT	153	28174GT	15, 19	44233GT	131
6178GT	109, 111, 155	28176GT	15	44235GT	129, 135, 141
6198GT	31, 43, 45	28177GT	15	44236GT	131, 133, 139
6356GT	141	28181GT	15	44788GT	11
6545GT	45	28235GT	15, 19	44980GT	15, 19
6610GT	105	28236GT	15	45226GT	49
6638GT	59	28750GT	11	45357GT	147, 149
6782GT	23, 45, 61	29080GT	95	45383GT	11, 11, 81, 85, 89, 119, 129, 13, 83, 87, 119...
6888GT	105	30973GT	45	45384GT	119...
8178GT	153	31060GT	15	45643GT	129
8357GT	45	31785GT	15	45840GT	71, 77, 81, 85, 89
8516GT	105, 153	32150GT	11	46216GT	137
8538GT	45, 105	32151GT	11	46262GT	15
8914GT	117	33278GT	61	46271GT	103
8915GT	45	33549GT	135	46717GT	33, 153
10255GT	105	33994GT	11, 129, 135, 139	47521GT	97
10258GT	105	35713GT	59	48104GT	25
13002GT	25	36245GT	97, 109, 111	48143GT	49
13268GT	25	37052GT	15	48218GT	25
13854GT	31	37218GT	61	48309GT	41
14723GT	23	38509GT	105	48723GT	15
15086GT	61	39346GT	139	48767GT	45
15243GT	71, 75, 77, 79, 81, 83...	39580GT	45	48904GT	151
16073GT	41, 45	39581GT	109, 111	48905GT	147, 149, 151
18396GT	37	40434GT	15, 19	48906GT	147, 149, 151
18504GT	49	40712GT	113, 117	48907GT	151
18605GT	23	40928GT	99	48912GT	147, 149
19506GT	71, 77, 81, 85, 89	41292GT	113, 117	48931GT	147, 149
19705GT	23	41695GT	93	48960GT	147, 149



<u>Part no.</u>	<u>Page Number</u>	<u>Part no.</u>	<u>Page Number</u>	<u>Part no.</u>	<u>Page Number</u>
48975GT	65	59582GT	29	65113GT	53
48997GT	129	59672GT	153	65117GT	53
49612GT	11, 129, 135, 139	59720GT	31	65125GT	55
49613GT	11, 129, 135, 139	59752-SGT	31	65178GT	103
49818GT	71	59753GT	31	65206GT	23
49819GT	155	60205GT	37	65208GT	41
51428GT	113, 117	60428GT	109, 111	65209GT	41
51474GT	97	60865GT	153	65211GT	43
51745GT	59	61974GT	109, 111	65215GT	43
52040GT	103	61975GT	109, 111	65231GT	23
52041GT	101	61976GT	37	65237GT	43
52042GT	103	62147GT	43	65544GT	103
52043GT	103	62149GT	43	65545GT	103
52182GT	25	62336GT	129, 141	66399GT	11
52185GT	25	62337GT	129, 135, 141	66778GT	113, 117
52186GT	25	62506GT	131, 141	66813GT	71, 119
52258GT	43	62507GT	139	66814GT	101
52371GT	129, 131	62509GT	105, 111	66815GT	75, 77, 79, 81, 83, 85...
52374GT	131	62707GT	15	66816GT	101
52376GT	139	62761GT	29	66817GT	101
52475GT	15, 19	62764GT	31	66818GT	101
52514GT	59	62765GT	29	66866GT	103
52912GT	131	62766GT	29	67229GT	31
53909GT	27	62769GT	29	67230GT	31
54177GT	43	62770GT	29	67231GT	31
54830GT	23	62772GT	29	67304GT	29
55517GT	49	62773GT	29	67535GT	31
55558GT	147, 149	62815GT	131	67706GT	143
55602GT	45	62816GT	131	67722GT	31
55726GT	11, 59	62817GT	129	67784GT	25
55747GT	59	62841GT	57	67908GT	25
56099GT	59	62864GT	29	69620-SGT	103
56302GT	71, 75, 79, 83, 87	62866GT	29	69773GT	13, 19, 83, 87, 121, 125
56901GT	109, 111, 113	62870GT	29	71315GT	113, 117
56912GT	75	62871GT	29	72032-SGT	31
56929GT	139, 141	62872GT	29	72108GT	23
57881GT	103	62873GT	29	73717GT	11, 11, 81, 83, 89, 119...
58253GT	67, 69	62874GT	29	73723GT	125
58258GT	57	62877GT	29	73730GT	119, 121, 125
58985GT	103	62879GT	31	73733GT	85, 89
59569GT	153	64154GT	59	73736GT	71, 77, 81, 85, 89
59570GT	153	65082GT	129, 131	74136GT	65, 147, 149

<u>Part no.</u>	<u>Page Number</u>	<u>Part no.</u>	<u>Page Number</u>	<u>Part no.</u>	<u>Page Number</u>
74508GT	131	76767GT	33	84709GT	41
75015GT	153	77709GT	129, 131, 133, 137, 139	84711GT	43
75813GT	41	78736GT	47	84889GT	53
75815GT	41	78976GT	105, 113, 117	84890GT	53
75816GT	41	79496GT	141	84891GT	53
75817GT	41	79585GT	95	84892GT	13, 53
75826GT	41	80237GT	43	84893GT	13, 53
75829GT	41	80502GT	147, 149	84894GT	53
75844GT	43	80601GT	61	84895GT	53
75866GT	29	81579GT	155	84896GT	53
75868GT	29	82366GT	15	84897GT	53
75869GT	29	82409GT	15	84898GT	53
75871GT	29	82472GT	19	84901GT	13, 53
75872GT	29	82475GT	19	84902GT	53
75873GT	29	82479GT	15	84903GT	53
75874GT	31	82481GT	19	84904GT	53
75877-1GT	49	82487GT	19	84905GT	55
75877-2GT	49	82505GT	15	84907GT	55
75877-3GT	51	82506GT	15	84908GT	55
76355GT	45	82548GT	19	84909GT	55
76602GT	23	82558GT	15	84910GT	55
76618GT	131	82560GT	19	84911GT	55
76647GT	77, 81, 85, 89	82614GT	19	84912GT	55
76682GT	37	82661GT	19	84913GT	55
76689GT	37	82667GT	19	84914GT	55
76692GT	39	82880GT	15, 19	84915GT	55
76695GT	37	82881GT	15, 19	84916GT	55
76697GT	67	82882GT	17, 19	84917GT	55
76700GT	37	82883GT	17	84918GT	55
76709GT	23	82884GT	17	84919GT	55
76717GT	39	83042GT	105, 111	84920GT	55
76721GT	45	83129GT	67, 69	84921GT	55
76727GT	45	84376GT	11	84922GT	55
76728GT	45	84443GT	11	84923GT	55
76736GT	45	84592GT	11	84924GT	57
76743GT	45	84608GT	131, 133	84925GT	57
76751GT	45	84633GT	103	84926GT	57
76758GT	45	84644GT	151	84927GT	57
76761GT	135	84652GT	151	84928GT	57
76762GT	33	84660GT	13	84929GT	57
76763GT	33	84707GT	43	84930GT	57
76764GT	25	84708GT	43	84931GT	57

<u>Part no.</u>	<u>Page Number</u>	<u>Part no.</u>	<u>Page Number</u>	<u>Part no.</u>	<u>Page Number</u>
84932GT	57	96008-SGT	75, 79, 83, 87	99216GT	153
84933GT	57	96008GT	71	99246GT	23
84934GT	57	96423GT	45	99322GT	33
84935GT	55	96769GT	65	99323GT	33
84936GT	55	97059GT	63	99329GT	41
84937GT	53	97171GT	135, 139	99330GT	41
84938GT	53	97178GT	135	99336GT	25
84939GT	57	97179GT	135	99382GT	27, 41
84940GT	57	97181GT	135, 137	99520-SGT	153
84941GT	57	97183GT	137	99521GT	67
84944GT	153	97185GT	135	99549GT	37
84946GT	153	97187GT	129, 131, 135, 141	99551GT	33
84947GT	59	97200GT	131	99563GT	23
84950GT	41	97203GT	129	99571GT	39
84956GT	43	97204GT	129	99577GT	23
84957GT	43	97205GT	129, 135, 141	99580GT	33, 49
84961GT	43	97206GT	129	99581GT	33
84962GT	43	97210GT	131	99584GT	23
84963GT	43	97228GT	11	99586GT	33, 153
84964GT	53	97229GT	11	99610GT	91
84965GT	53	97230GT	11	99616GT	97
84966GT	11, 53	97336GT	53	99617GT	97, 105
84967GT	53	97455GT	29	99618GT	95, 105
84968GT	53	97456GT	29	99619GT	95
84969GT	53	97457GT	29	99620GT	91
84970GT	53	97458GT	29	99625GT	97, 99
84971GT	53	97554GT	19	99626GT	97
84972GT	57	97562GT	17, 19	99639GT	95, 99
84973GT	57	97567GT	17, 19	99640GT	95
87073GT	91	97568GT	17, 19	99648GT	99
87451GT	39	97569GT	17	99650GT	95
87748GT	85, 89	97580GT	17	99660GT	95
87755GT	11, 11, 81, 85, 89, 119...	97581GT	17	99665GT	95
87868GT	97	97586GT	17	99670GT	113
87869GT	95	97587GT	19	99677GT	105, 113, 117
89290GT	41	97754GT	19	99680GT	105, 111, 117
89291GT	41	97815GT	17, 19	99688GT	103
89864GT	135, 139	99033GT	41	99690GT	109, 111
93500GT	11	99084GT	71	99695GT	109, 111
94439GT	105	99088GT	79, 87, 125	99698GT	113, 117
94520GT	71, 77, 81, 85, 89	99174GT	109, 111	99705GT	113, 117
94643GT	109, 111	99194GT	109, 111	99707GT	105, 113



<u>Part no.</u>	<u>Page Number</u>	<u>Part no.</u>	<u>Page Number</u>	<u>Part no.</u>	<u>Page Number</u>
99715GT	49, 93	104139GT	67	104672GT	91
99727GT	49	104140GT	67	104708GT	121, 127
99730GT	49	104160GT	23	104727GT	93
99746GT	103	104188GT	59	104729GT	59
99754GT	67	104208GT	153	104730GT	59
99756GT	129	104214GT	59	104733GT	59
99766GT	37	104225GT	23	104741GT	95
99767GT	37	104226GT	25	104789GT	23
99770GT	23	104231GT	45	104804GT	93
99771GT	25	104232GT	45	104813GT	59
99774GT	39	104234GT	33	104814GT	59
99775GT	25	104236GT	49	104815GT	13, 59
99786GT	59	104327GT	119, 121, 125	105235GT	93
99787GT	139	104338GT	49	105236GT	93
99795GT	153	104346GT	147, 149	105249GT	93
99796GT	153	104347GT	113	105257GT	67, 93
99797GT	153	104348GT	113	105270GT	93
99825GT	49	104378GT	101	105274GT	93
99826GT	49	104379GT	67	105276GT	93
99827GT	49	104380GT	67	105287GT	113
99828GT	49	104381GT	67	105307GT	113
99832GT	61	104382GT	67	105334GT	63
99885GT	119, 121, 125	104384GT	67	105357GT	133
99911GT	33	104386GT	67	105387GT	65
99940GT	91	104401GT	153	105428GT	69
99950GT	45	104402GT	153	105429GT	69
99951GT	45	104450GT	153	105430GT	69
99958GT	45	104456GT	41	105450GT	67
99999GT	103	104457GT	41	105515GT	41
101958GT	141	104491GT	121, 127	105524GT	67
104011GT	49	104499GT	97, 105	105535GT	59
104037GT	111	104500GT	97, 105	105556GT	153
104047GT	37	104531GT	71, 77, 81, 85, 89	105557GT	153
104049GT	37	104606GT	49, 91	105594GT	41
104093GT	71, 77, 81, 85, 89	104607GT	91	109668GT	99
104099GT	71	104608GT	95	109671GT	99
104101GT	71, 77, 81, 85, 89	104609GT	49, 91	109686GT	99
104117GT	67	104610GT	91	109705GT	91
104126GT	139	104660GT	91	109708GT	97, 99
104127GT	49	104661GT	91	109719GT	95
104136GT	147, 149	104662GT	91	109804GT	71, 77, 81, 85, 89
104137GT	147, 149	104671GT	51	109897GT	39

<u>Part no.</u>	<u>Page Number</u>	<u>Part no.</u>	<u>Page Number</u>	<u>Part no.</u>	<u>Page Number</u>
109898GT	39	824067GT	23, 33, 37, 49, 117	1256855GT	113
114167GT	17, 19	824068GT	33, 37	1257224GT	97
114170GT	17	824079GT	113, 117	1257390GT	37
114171GT	17	824080GT	97, 115, 117	1257464GT	23
115032GT	101	824085GT	93	1257628GT	91
115034GT	101	824086GT	23	1257908GT	25
115035GT	101	824091GT	93	1258567GT	11
115038GT	101	824092GT	37, 49, 93, 95	1258676GT	33, 49, 91
115039GT	101	824093GT	97	1258807GT	105, 109
115040GT	101	824094GT	91	1259686GT	51
115042GT	101	824096GT	37	1260963GT	99
124680GT	109, 111	824100GT	65	1261459GT	133
129080GT	103	824106GT	33, 49	1263142GT	31
129100GT	97	824109GT	13, 15, 19, 83, 81, 121...	1263542GT	21
129189GT	101	824110GT	65, 117	1263543GT	17
129190GT	101	824113GT	73, 75, 79, 83, 87, 97...	1263932GT	17
129192GT	103	824120GT	37	1264372GT	63
129193GT	103	824124GT	65, 93, 99	1264803GT	29
161218GT	67	824125GT	49	1266818GT	113, 117
162160GT	31	824149GT	25	1268271GT	33
219214GT	67	824163GT	95	1268275GT	25
219307GT	69	824164GT	95	1268937GT	23
226320GT	75, 77, 79, 81, 83, 85...	824216GT	93	1268954GT	99
226322GT	11, 15, 19, 83, 81, 101...	825019GT	37, 91, 95, 105	1271081GT	37
227441GT	67	825020GT	105, 109, 111, 115, 117	1271707GT	71
229629GT	61	825352GT	95	1272242GT	17, 21
229846GT	59	825606GT	151	1272557GT	63
230344GT	17, 19	825674GT	25	1274165GT	33, 47, 65, 91, 97, 99...
231572GT	65	825850GT	67	1274166GT	25, 33, 49, 91, 95
231931GT	153	826516GT	37	1274167GT	23, 51, 93
232543GT	67	826779GT	129, 135, 141	1274168GT	93
233373GT	67	1253478GT	97	1274172GT	23, 33, 45
233718GT	105, 111	1253498GT	33, 45	1274173GT	25
233745GT	105, 111	1255758GT	33, 37, 117	1274174GT	31
236646GT	91	1255797GT	113, 117	1274177GT	39
236769GT	67	1255804GT	117	1274320GT	49, 113
236770GT	67	1256118GT	91	1274322GT	23, 33, 37, 91, 95
237173GT	105, 111, 117	1256173GT	25, 137	1274353GT	71, 75, 79, 83, 87
824024GT	101	1256182GT	33	1275647GT	71, 75, 79, 83, 87
824059GT	37, 71, 75, 79, 83, 87...	1256463GT	91, 97, 99	1275924GT	121, 125
824060GT	109, 111	1256693GT	97	1277801GT	121, 125
824063GT	47	1256844GT	51	1277802GT	121, 125

<u>Part no.</u>	<u>Page Number</u>	<u>Part no.</u>	<u>Page Number</u>	<u>Part no.</u>	<u>Page Number</u>
1277924GT	37, 91, 97, 113, 117	1304753GT	147	T108048GT	143
1280819GT	17	1304754GT	147, 149	T108049GT	143
1283005GT	37, 95	1304755GT	147, 149	T108050GT	143
1283009GT	113, 117	1304756GT	147, 149	T108051GT	143
1283776GT	11	1304757GT	147, 149	T108052GT	143
1286186GT	125	1304758GT	147, 149	T108053GT	143
1287095GT	121	1304759GT	147, 149	T108060GT	143
1287096GT	125	1304760GT	147, 149	T108061GT	143
1287098GT	75	1304761GT	151	T108062GT	143
1287099GT	79	1304763GT	151	T108063GT	143
1289520GT	157	1304764GT	151	T108064GT	143
1289521GT	157	1304765GT	151	T108066GT	143
1289522GT	157	1304766GT	151		
1289523GT	157	1304767GT	151		
1289561GT	157	1304768GT	151		
1289868GT	71, 75, 79, 83, 87	1304769GT	151		
1289870GT	119, 121, 125	1304770GT	151		
1290565GT	83	1304771GT	151		
1290566GT	87	1304772GT	151		
1291624GT	17, 21	1304773GT	151		
1292198GT	157	1304774GT	151		
1294952GT	23	1304777GT	151		
1298577GT	143	1304778GT	151		
1298578GT	143	1304779GT	147, 149		
1298579GT	143	1304780GT	151		
1298580GT	143	1304781GT	151		
1298581GT	143	1304782GT	147		
1298582GT	143	1304783GT	147		
1298583GT	143	1304784GT	147		
1298933GT	11	1304785GT	147		
1300153GT	71	1304788GT	147, 149		
1301145GT	75, 79, 83, 87	1305189GT	115, 117		
1301146GT	121, 125	1306288GT	13, 53		
1302627GT	143	1310391GT	27		
1302628GT	145	1310769GT	37, 39		
1302629GT	143	1318615GT	107, 113		
1302630GT	143	T106819GT	41		
1302631GT	143	T106820GT	41		
1302632GT	143	T106821GT	41		
1303328GT	99	T106822GT	41		
1303330GT	91	T106823GT	43		
1303331GT	91	T108047GT	143		



California Proposition 65

 **WARNING**

Operating, servicing and maintaining this equipment, passenger vehicle or off-highway motor vehicle can expose you to chemicals including engine exhaust, carbon monoxide, phthalates, and lead, which are known to the State of California to cause cancer and birth defects or other reproductive harm. These chemicals can be emitted from or contained in other various parts and systems, fluids and some component wear by-products. To minimize exposure, avoid breathing exhaust, do not idle the engine except as necessary, service your equipment and vehicle in a well-ventilated area and wear gloves or wash your hands frequently when servicing your equipment or vehicle and after operation. For more information go to www.P65Warnings.ca.gov/passenger-vehicle.

Breathing diesel engine exhaust exposes you to chemicals known to the State of California to cause cancer and birth defects or other reproductive harm.

- Always start and operate the engine in a well-ventilated area.
- If in an enclosed area, vent the exhaust to the outside.
- Do not modify or tamper with the exhaust system.
- Do not idle the engine except as necessary.

For more information go to www.P65warnings.ca.gov/diesel.

www.genielift.com

Distributed By: