

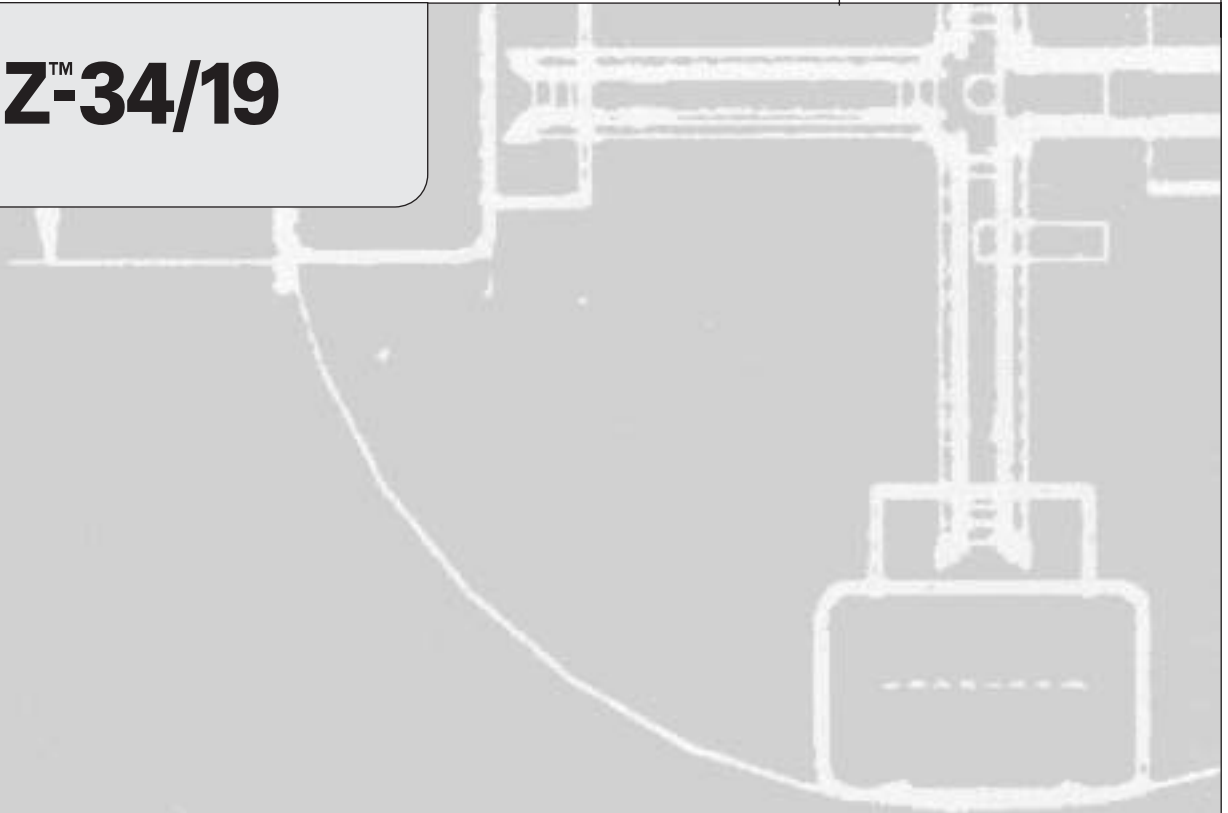
Genie®



Parts and Service Manual Supplement

Part No. 104980
Rev A
November 2005

TMZ™-34/19



Important

Read, understand and obey the safety rules and operating instructions in the *TMZ-34/19 Operator's Manual* before attempting any maintenance or repair procedure.

This manual provides detailed parts and service information for qualified service professionals.

Basic mechanical, hydraulic and electrical skills are required to perform most procedures. However, several procedures require specialized skills, tools, lifting equipment and a suitable workshop. In these instances, we strongly recommend that maintenance and repair be performed at an authorized Genie dealer service center.

This Parts and Service Manual Supplement provides service parts information and electrical schematics for the recently released TMZ-34/19 Control System, which are not included in your parts or service manuals. Please add this parts information and electrical schematics to the parts and service manuals for your machine.

Technical Publications

Genie Industries has endeavored to deliver the highest degree of accuracy possible. However, continuous improvement of our products is a Genie policy. Therefore, product specifications are subject to change without notice.

Readers are encouraged to notify Genie of errors and send in suggestions for improvement. All communications will be carefully considered for future printings of this and all other manuals.

Contact Us:


PO Box 97030
Redmond, WA 98073-9730 USA

www.genieindustries.com
e-mail: techsup@genieind.com

Copyright © 1998 by Genie Industries

104980 Rev A November 2005
First Edition, First Printing

"Genie" is a registered trademark of Genie Industries in the USA and many other countries.
"TMZ" is a trademark of Genie Industries.

 Printed on recycled paper

Printed in U.S.A.

Table of Contents

Introduction

Important Information	2
-----------------------------	---

Section 1 **Rev Service Parts**

A Decals	4
A Platform Controls	10
A Ground Controls	14

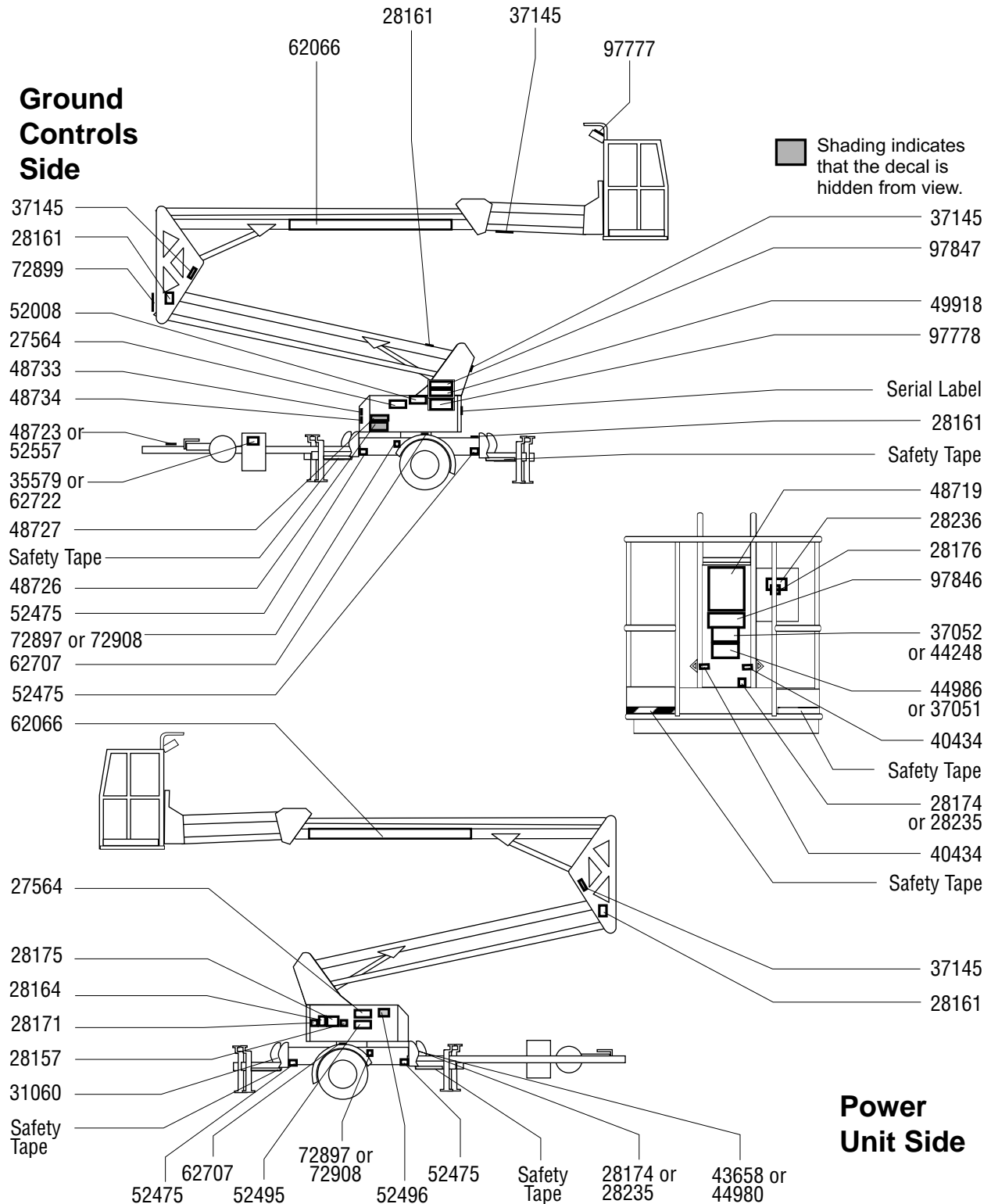
Section 2 **Rev Schematics**

A Introduction	20
A Wiring Diagram - Platform Controls	21
A Wiring Diagrams - Ground Controls Models with Manual Outriggers	22
A Wiring Diagrams - Ground Controls Models with Hydraulic Outriggers	26
A Electrical Schematic - Models with Manual Outriggers	30
A Electrical Schematic - Models with Hydraulic Outriggers	32

Decals

(before serial number T3400-001)

REV A



REV A

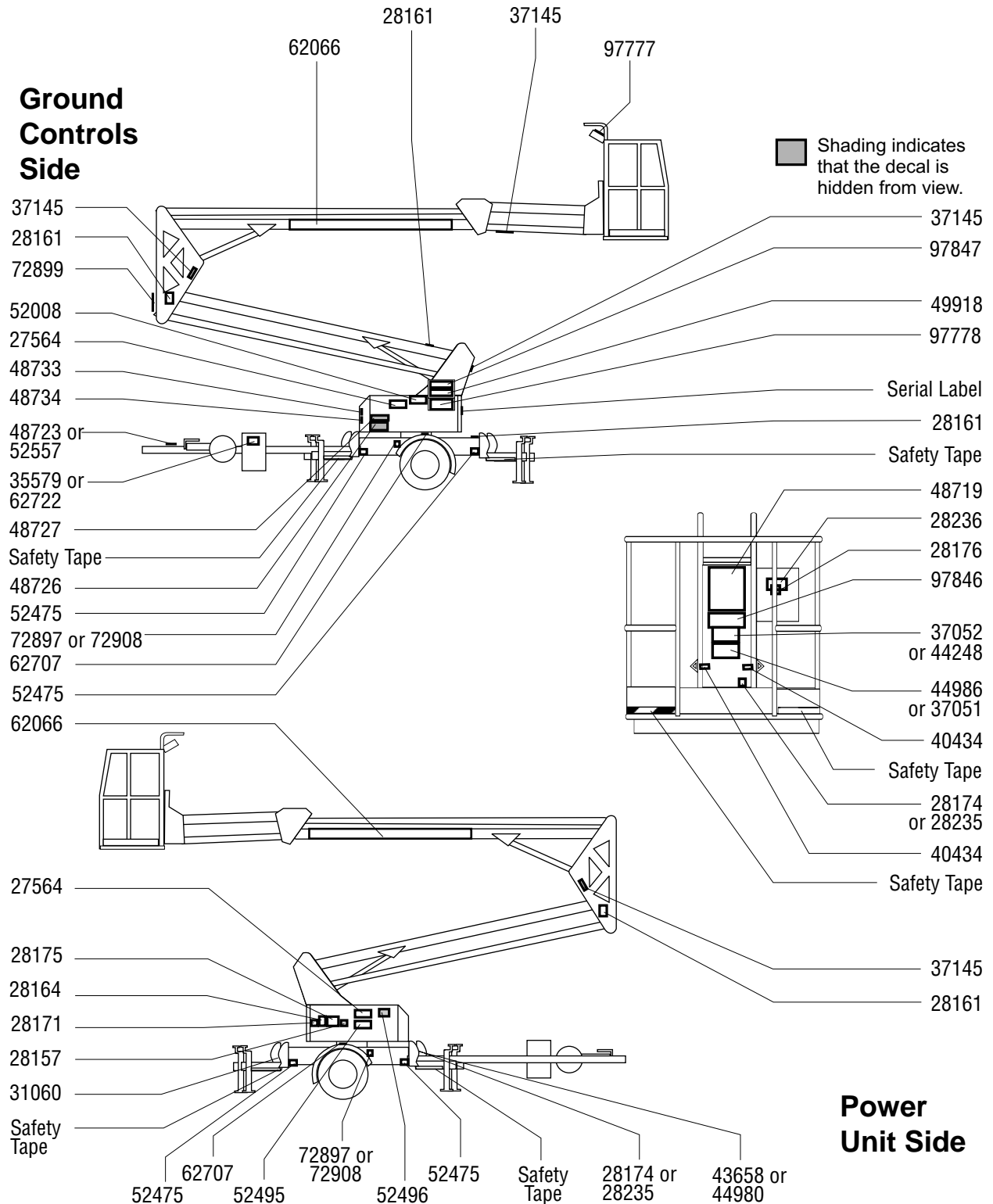
DECALS

Item	Part No.	Description	Quantity This Figure
—	48729	Decal Kit, Safety/Instructional (includes items 1-5, 7-8, 10-11, 15-16, 21, 23-31, 37 and 41-42)	—
1	27564	Danger - Electrocution Hazard	2
2	28157	Label - Dexron	1
3	28161	Warning - Crushing Hazard	4
4	28164	Notice - Hazardous Materials	1
5	28171	Label - No Smoking	1
6	28174	Label - Power to Platform, 230V AC	2
7	28175	Caution - Compartment Access	1
8	28176	Notice - Missing Manuals	1
9	28235	Label - Power to Platform, 115V AC	2
10	28236	Warning - Failure To Read	1
11	31060	Danger - Do Not Alter Limit Switch	1
12	35579	Notice - Max Cap, Hook, 500 lbs / 227 kg	1
13	37051	Notice - Side Force, 150 lbs / 667 N, ANSI & CSA	1
14	37052	Notice - Max Cap, 500 lbs / 227 kg	1
15	37145	Label - Manual Lowering	4
16	40434	Label - Lanyard Anchorage	2
17	44248	Notice - Max Cap, 440 lbs / 200 kg	1
18	43658	Notice - Power to Battery Charger, 230V AC	1
19	44980	Notice - Power to Battery Charger, 115V AC	1
20	44986	Notice - Side Force, 90 lbs / 400N, CE	1
21	48719	Danger - General Safety, Platform	1
22	48723	Label - Parking Brake (hydraulic), ANSI & CSA	1
23	48726	Notice - Battery Charger Operating Instructions	1

This list continues on the next page.

DECALS (BEFORE SERIAL NUMBER T3400-001)

REV A



REV A

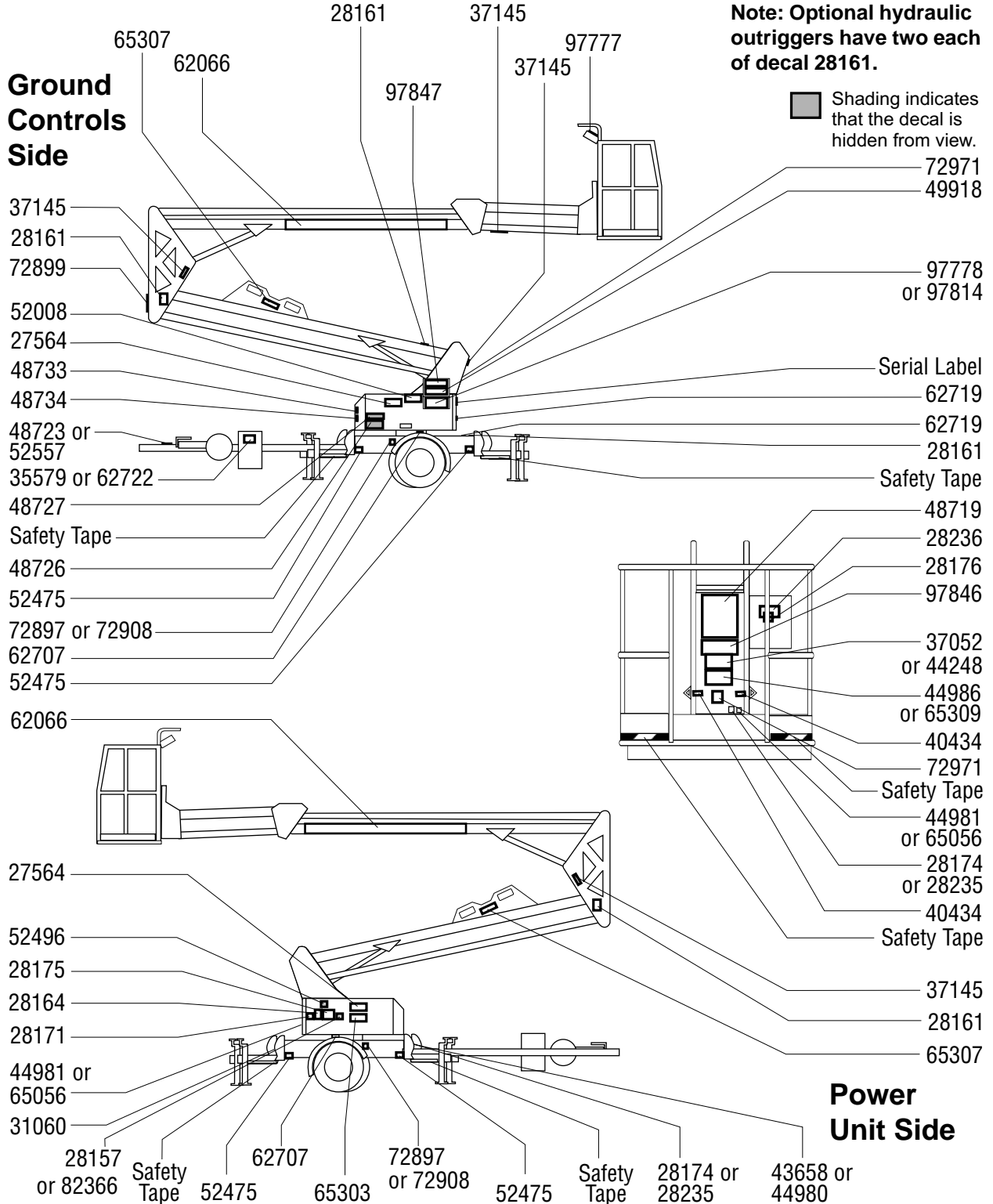
DECALS (BEFORE SERIAL NUMBER T3400-001)

Item	Part No.	Description	Quantity This Figure
24	48727	Danger - Battery/Charger Safety	1
25	48733	Danger - Tip-over (batteries)	1
26	48734	Notice - Battery Connection Diagram	1
27	49918	Notice - Material Lifting Operation	1
28	52008	Danger - General Safety, Ground	1
29	52475	Label - Transport Tie-down	4
30	52495	Notice - Manual Lowering Instructions	1
31	52496	Notice - Manual Rotation Instructions	1
32	52557	Label - Parking Brake (mechanical), CE	1
33	62066	Cosmetic - Genie TMZ-34/19	2
34	62707	Warning - Towing Hazard	2
35	62722	Notice - Max Cap, Hook, 440 lbs / 200 kg	1
36	72897	Notice - Tire Specification, ANSI & CSA	2
37	72899	Notice - Transport Instructions	1
38	72908	Notice - Tire specification, CE	2
39	97777	Platform Control Panel	1
40	97778	Ground Control Panel	1
41	97846	Notice - Operating Instructions, Platform	1
42	97847	Notice - Operating Instructions, Ground	1

Decals

(after serial number T3499-769)

REV A



REV A

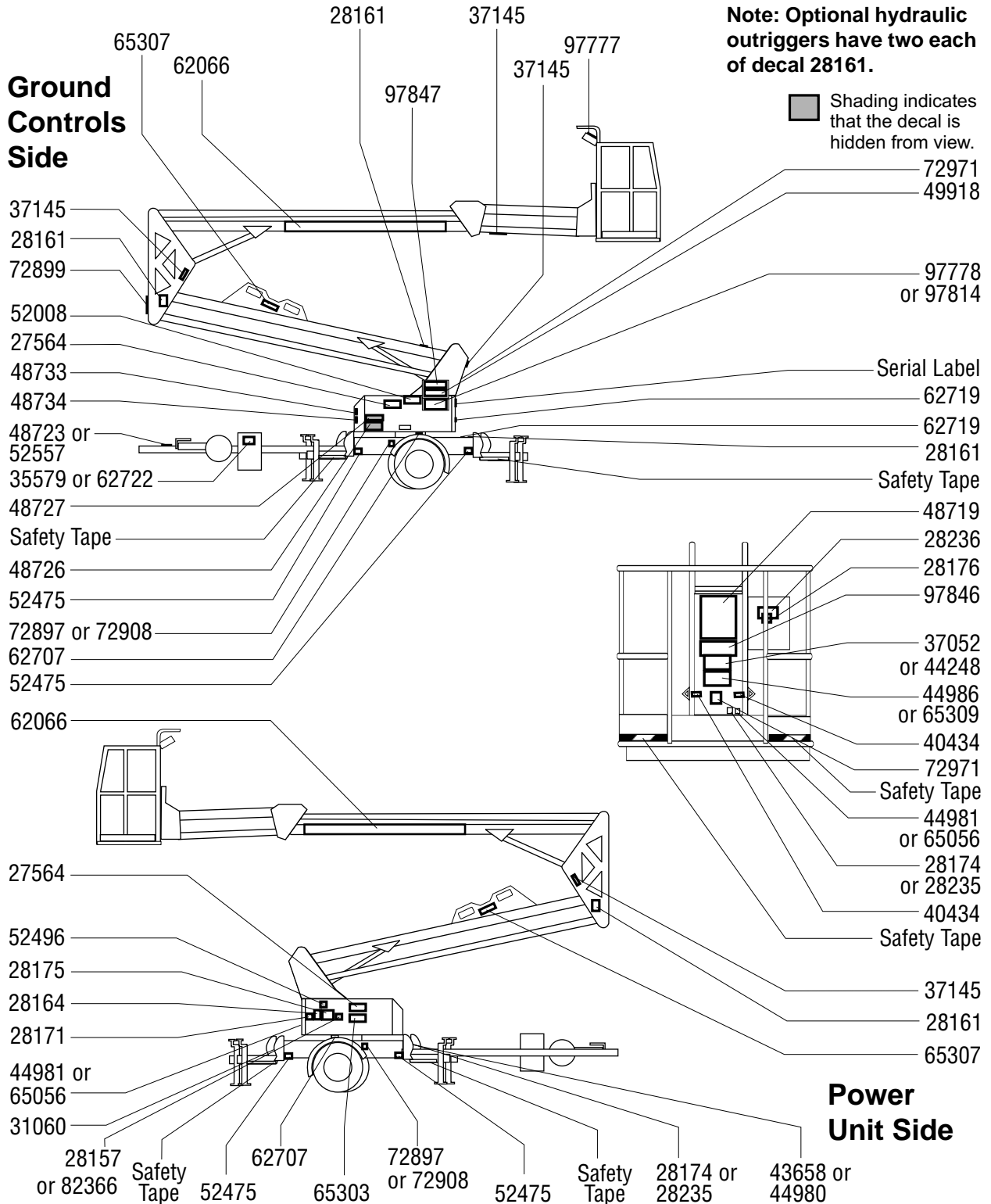
DECALS (AFTER SERIAL NUMBER T3499-769)

Item	Part No.	Description	Quantity This Figure
—	72903	Decal Kit, Safety/Instructional (includes items 1, 3-5, 7-8, 10-11,14-15, 21, 23-27, 28-30, 33-34, 37-38, 40, 43-44 and 48-49)	—
1	27564	Danger - Electrocution Hazard	2
2	28157	Label - Dexron	1
3	28161	Warning - Crushing Hazard (models with manual outriggers) 4 (models with hydraulic outriggers)	12
4	28164	Notice - Hazardous Materials	1
5	28171	Label - No Smoking	1
6	28174	Label - Power to Platform, 230V AC	2
7	28175	Caution - Compartment Access	1
8	28176	Notice - Missing Manuals	1
9	28235	Label - Power to Platform, 115V AC	2
10	28236	Warning - Failure To Read	1
11	31060	Danger - Do Not Alter Limit Switch	1
12	35579	Notice - Max Cap, Hook, 500 lbs / 227 kg	1
13	37052	Notice - Max Cap, 500 lbs / 227 kg	1
14	37145	Label - Manual Lowering	4
15	40434	Label - Lanyard Anchorage	2
16	43658	Notice - Power to Battery Charger, 230V AC	1
17	44248	Notice - Max Cap, 440 lbs / 200 kg	1
18	44980	Notice - Power to Battery Charger, 115V AC	1
19	44981	Label - Air Line to Platform	2
20	44986	Notice - Side Force, 90 lbs / 400 N, CE	1
21	48719	Danger - General Safety, Platform	1
22	48723	Label - Parking Brake (hydraulic), ANSI & CSA	1

This list continues on the next page.

DECALS (AFTER SERIAL NUMBER T3499-769)

REV A



REV A

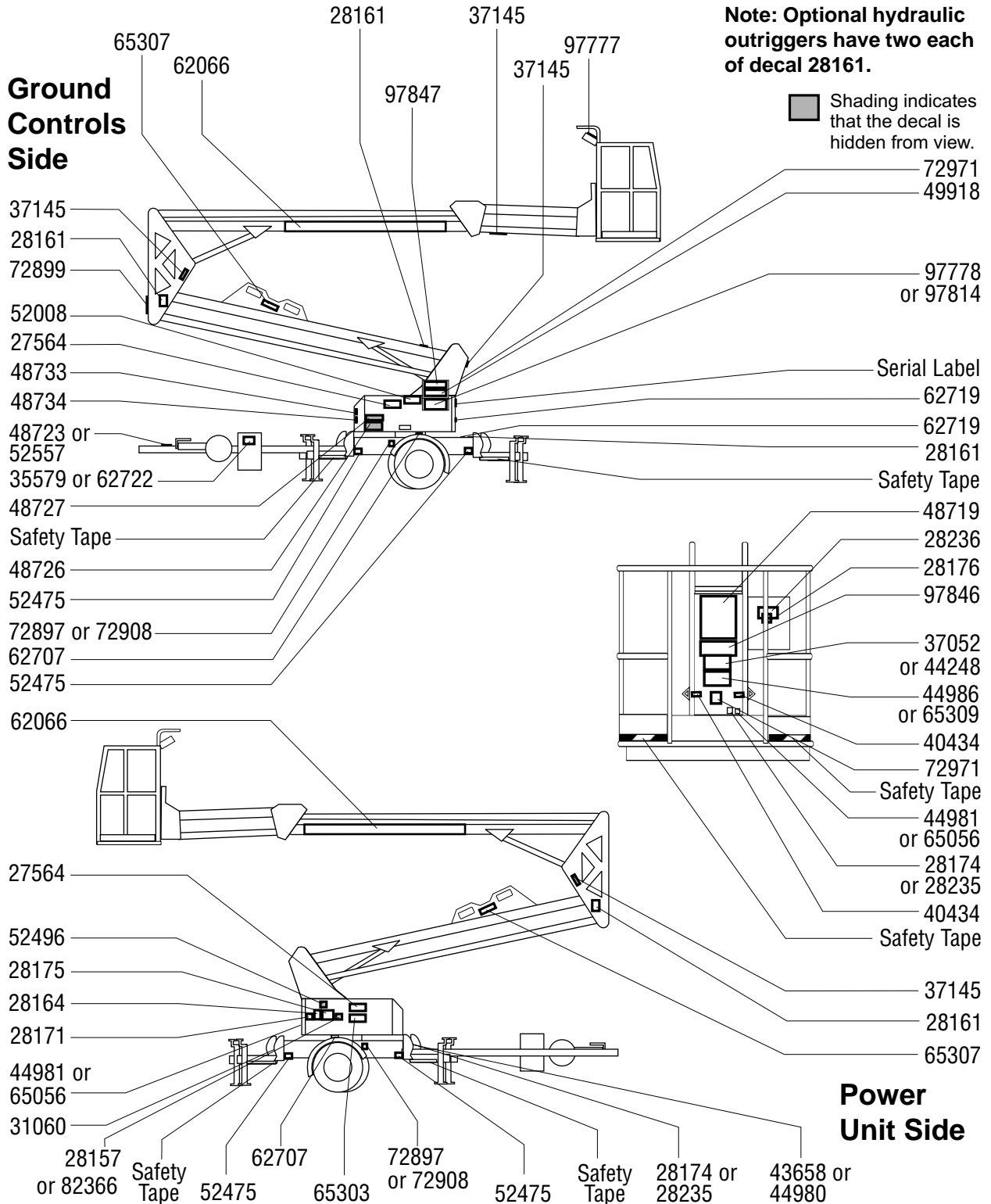
DECALS (AFTER SERIAL NUMBER T3499-769)

Item	Part No.	Description	Quantity	This Figure
23	48726	Notice - Battery Charger Operating Instructions	1	
24	48727	Danger - Battery/Charger Safety	1	
25	48733	Danger - Tip-over (batteries)	1	
26	48734	Battery Connection Diagram	1	
27	49918	Notice - Material Lifting Operation	1	
28	52008	Danger - General Safety, Ground	1	
29	52475	Label - Transport Tie-down	4	
30	52496	Notice - Manual Rotation Instructions	1	
31	52557	Label - Parking Brake (mechanical), CE	1	
32	62066	Cosmetic, Genie TMZ-34/19	2	
33	62707	Warning - Towing Hazard	2	
34	62719	Label - Arrow	2	
35	62722	Notice - Max Cap, Hook, 440 lbs / 200 kg	1	
36	65056	Label - Water Line to Platform	2	
37	65303	Notice - Manual Lowering Instructions	1	
38	65307	Caution - Forklift Pockets	2	
39	65309	Notice - Side Force, 90 lbs / 400 N	1	
40	72899	Warning - Transport Instructions	1	
41	72897	Notice - Tire Specifications, ANSI & CSA	2	
42	72908	Notice - Tire Specifications, CE	2	
43	72971	Label - Transport to Canada	2	
44	82366	Label - Chevron Rykon	1	
45	97777	Platform Control Panel	1	

This list continues on the next page.

DECALS (AFTER SERIAL NUMBER T3499-769)

REV A



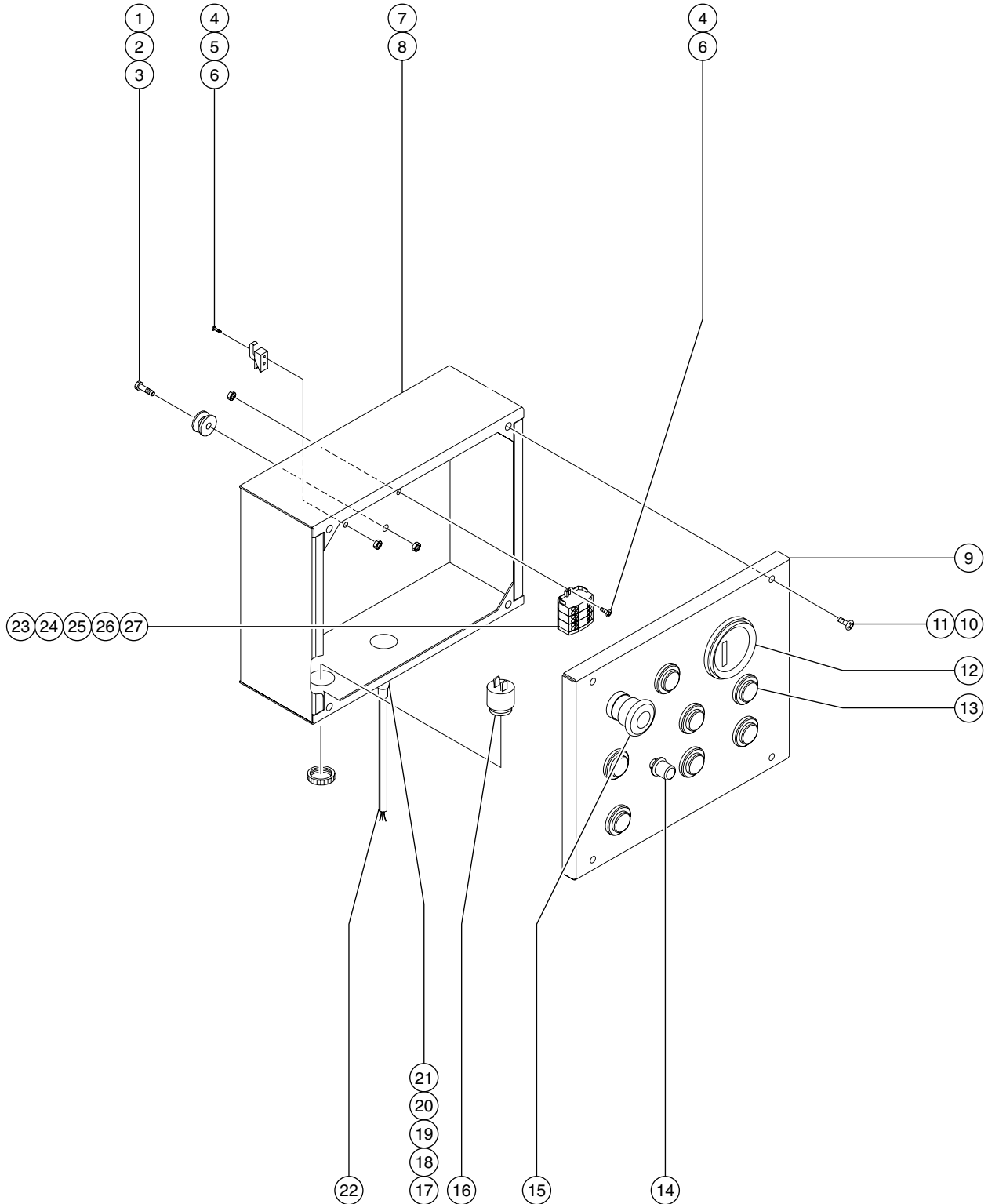
REV A

DECALS (AFTER SERIAL NUMBER T3499-769)

Item	Part No.	Description	Quantity This Figure
46	97778	Ground Control Panel	1
47	97814	Ground Control Panel (models with hydraulic outriggers)	1
48	97846	Notice - Operating Instructions, Platform	1
49	97847	Notice - Operating Instructions, Ground	1

Platform Controls

REV A



REV A

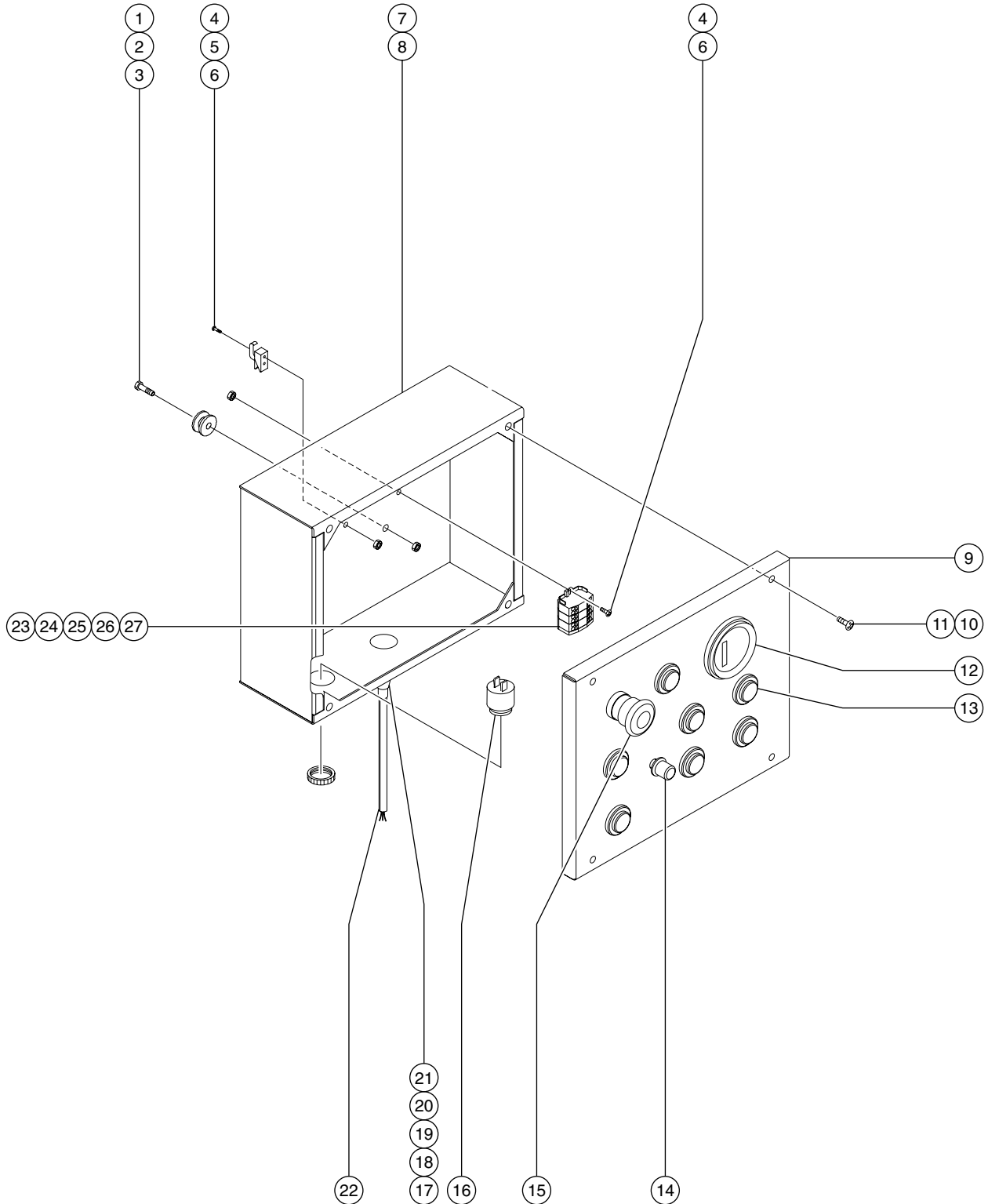
PLATFORM CONTROLS

Item	Part No.	Description	Quantity	This Figure
—	104858	Platform Control Box Assembly - Complete	—	—
—	104859	Platform Control Cable Assembly (477 inches)	—	—
—	104749	Platform Connector Mount	—	—
1	6090	Screw - HHC, 1/4 -20 x 0.75 inch, GR 5	3	
2	66866	Button - Joystick Mount	3	
3	6889	Low Profile Nylock Nut, 1/4 -20	3	
4	49820	Screw - PHPM, 6-32 x 0.5 inch, GR 2	4	
5	62819	Keeper - Over Center Latch	1	
6	12344	Nylock Nut, 6-32	4	
7	104865	Platform Control Box	1	
8	69773	Weatherstripping - Ribbed	34 inches	
9	104629	Platform Control Box Lid	1	
10	49819	Screw - PHPM, 10-32 x 0.5 inch, GR 2	4	
11	23405	Nutsert, 10-32	4	
12	23134	Battery Charge Indicator	1	
13	104870	Push Button, Momentary	7	
14	104327	Potentiometer Assembly	1	
15	66812	Push Button - Red Mushroom Head	1	
—	66817	Base - Push Button (includes 1 N.C. contact)	—	—
—	66818	N.C. Contact	—	—
16	45383	Alarm - Warble Tone, 5-30V DC (includes retainer nut)	1	
—	72326	Nut - Retainer	—	—
17	73475	Plug Boot, 4 way	1	
18	6578	Cable Tie, 7 3/8 inches	18	
19	60434	Grey Plug, 12 way, 14-18 Gauge	1	
20	73714	Socket - Terminal, 16-18 Gauge	12	
21	60435	Secondary Lock	1	
22	96386	Wire Cable, 18/12 Gauge	120 inches	

This list continues on the next page.

PLATFORM CONTROLS

REV A



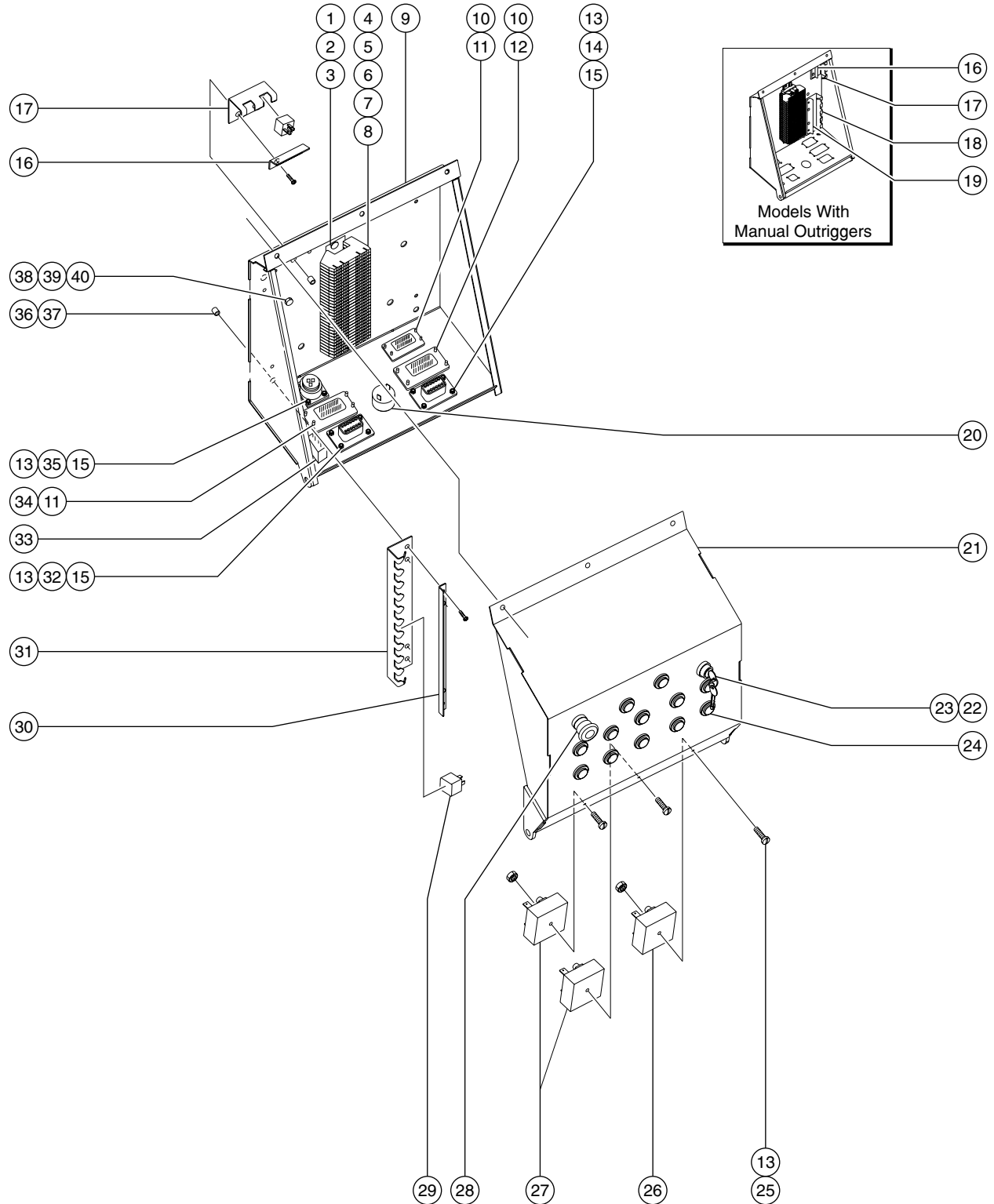
REV A

PLATFORM CONTROLS

Item	Part No.	Description	Quantity This Figure
23	76480	Terminal Block - Wieland, End Plate	1
—	76478	Terminal Block - Wieland, 4 hole	—
—	76481	Terminal Block - Wieland, End Block	—
24	19251	Butt Splice, 18-22 Gauge	3
25	13083	Diode, 2A	5
26	99195	Resistor, 5.6 ohm, 2W	2
27	104335	Diode - Zeener, 5.1V DC, 1W	1

Ground Controls

REV A



REV A

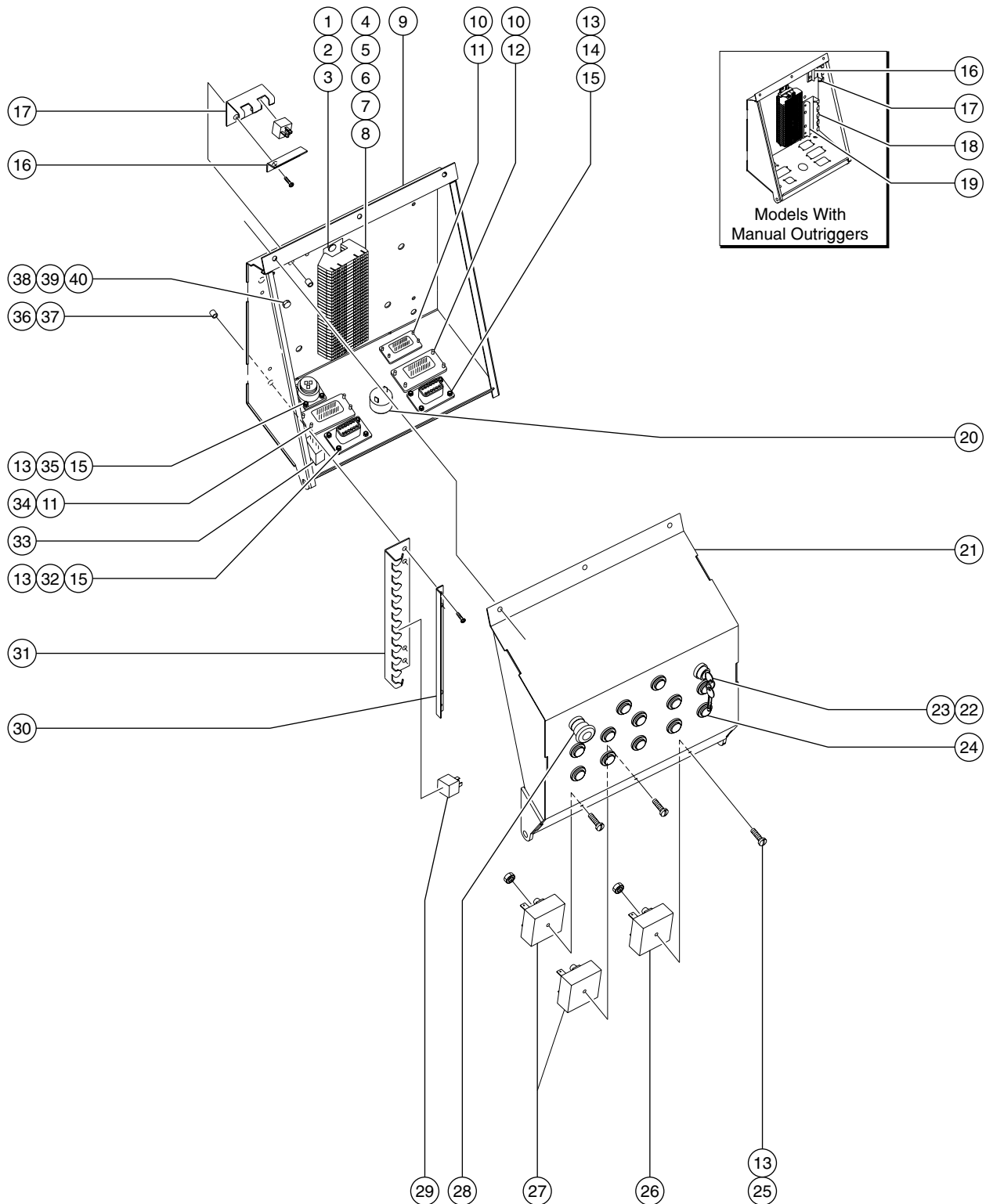
GROUND CONTROLS

Item	Part No.	Description	Quantity This Figure
—	104857	Ground Control Box Assembly (models with manual outriggers) (before serial number TZ3400-1) - Complete	—
—	104856	Ground Control Box Assembly (models with hydraulic and manual outriggers) (after serial number T3499-796) - Complete	—
—	104334	Diode - Zeener, 3.3V DC, 1W	1
—	104335	Diode - Zeener, 5.1V DC, 1W	1
—	104880	Capacitor, 100 MF, 50V AC	1
1	71874	Carriage Bolt, ³ / ₁₆ -24 x 1.25 inches, GR 2	2
2	104877	Terminal Rail (models with hydraulic outriggers) (shown)	1
—	104884	Terminal Rail (models with manual outriggers)	—
3	5365	Nylock Nut, 10-24	2
4	19251	Butt Splice, 18-22 Gauge (models with hydraulic outriggers) (shown)	24
		(models with manual outriggers)	15
5	104333	Resistor, 1k Ohm, 2W	3
6	13083	Diode, 2A (models with hydraulic outriggers) (shown)	54
		(models with manual outriggers)	35
7	45782	Diode, 6A	2
8	6687	Butt Splice, 18-22 Gauge	1
9	104650	Ground Control Box (models with hydraulic outriggers) (shown)	1
—	104860	Ground Control Box (models with manual outriggers)	—
10	88288	Screw - PHPM, 4 x ³ / ₈	12
11	104994	Receptacle Connector Assembly, 23 way	1
—	104871	Receptacle Connector, 23 Position, Flanged	—
12	104998	Receptacle Connector Assembly, 35 way, White	1
—	104872	Receptacle Connector, 35 Position, Flanged	—
13	12344	Nylock Nut, 6-32	?
14	73730	Connector Receptacle, 12 way, Flanged (models with hydraulic outriggers) (shown)	1
—	73713	Terminal Pin, 16-18 Gauge	—
—	54255	Receptacle Lock, 12 way, 14-18 Gauge	—
15	49820	Screw - PHPM, 6-32 x 0.5 inch, GR 2	6
16	104493	Relay Holder Bracket, Lower	1

This list continues on the next page.

GROUND CONTROLS

REV A



REV A

GROUND CONTROLS

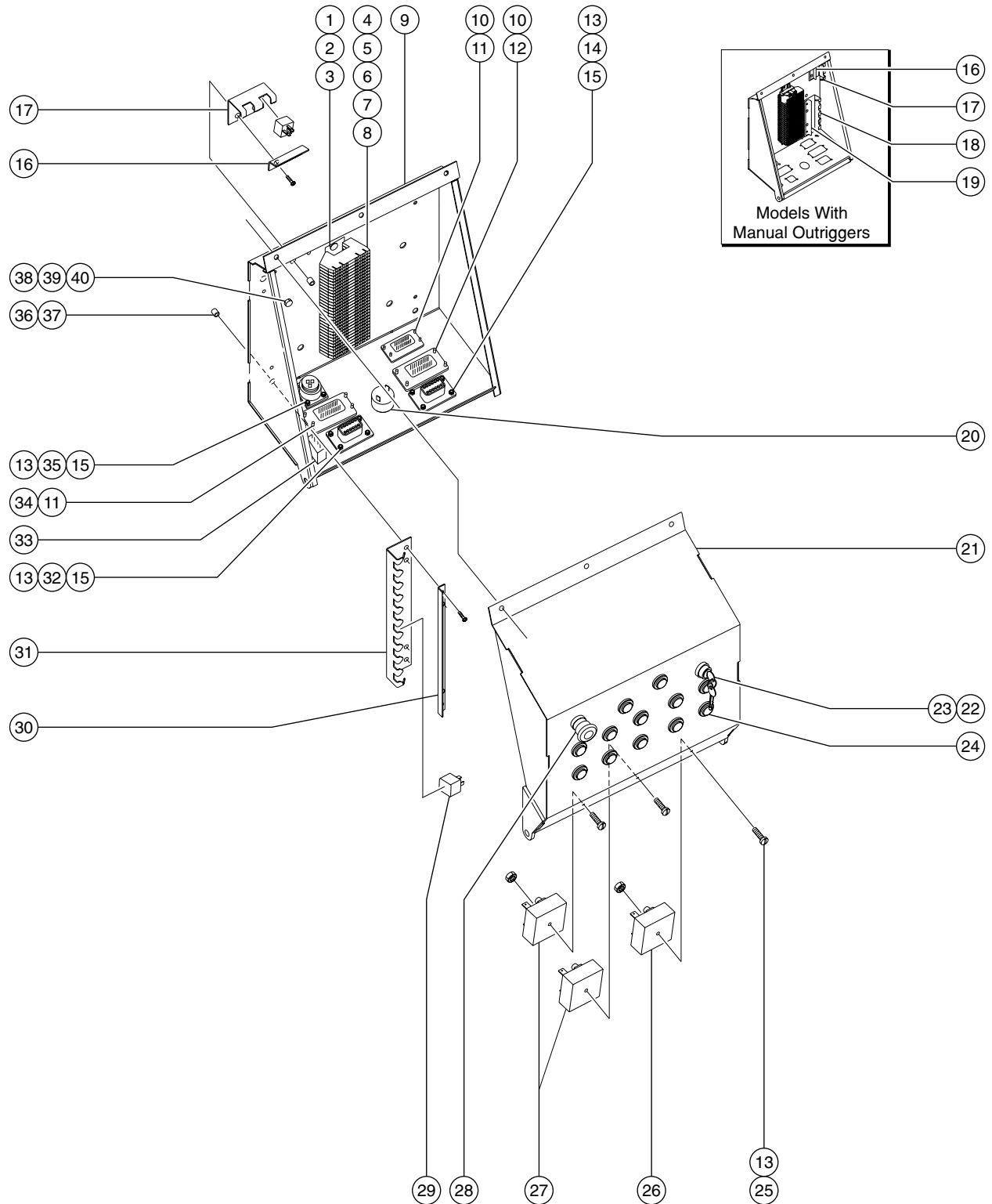
Item	Part No.	Description	Quantity	This Figure
17	104706	Relay Mount Bracket, Upper	1	
18	104993	Relay Mount Bracket (models with manual outriggers)	1	
19	104491	Relay Holder Bracket, Upper (models with manual outriggers)	1	
20	45383	Warble Tone Alarm, 5-30V DC (includes retainer nut)	1	
—	72326	Nut - Retainer	—	
21	104649	Ground Control Box Lid (models with hydraulic outriggers) (shown)	1	
—	104868	Ground Control Box Lid (models with manual outriggers)	—	
22	96008	Key Switch, 3 Position (includes 1 pair of keys)	1	
—	83093	Key (single)	—	
—	37947	Key, Package of 10	—	
23	96009	Rubber Washer	1	
24	104870	Push Button, Momentary (models with hydraulic outriggers) (shown)	12	
		(models with manual outriggers)	7	
25	11803	Screw - RHSM, 6-32 x 1 inch (models with hydraulic outriggers) (shown)	2	
		(models with manual outriggers)	3	
26	99084	Time Delay Module (models with hydraulic outriggers)	1	
27	104876	Time Delay Module	2	
28	66812	Push Button - Red Mushroom Head	1	
—	66817	Base - Push Button (includes 1 N.C. contact)	—	
—	66818	N.C. Contact	—	
29	104714	Relay, 24V DC (models with hydraulic outriggers) (shown)	22	
		(models with manual outriggers)	17	
30	104879	Relay Holder Bracket, Upper (models with hydraulic outriggers)	2	
		(models with manual outriggers)	1	
31	104878	Relay Mount Bracket, Upper (models with hydraulic outriggers)	2	
		(models with manual outriggers)	1	
32	73733	Receptacle Connector, 12 way, Flanged (models with hydraulic outriggers)	1	
—	83130	Terminal Pin, 16-18 Gauge	—	
—	54255	Receptacle Lock, 12 way, 14-18 Gauge	—	
32	73723	Receptacle Connector, 4 pin, 4 way, Flanged (models with manual outriggers)	1	
—	83130	Terminal Pin, 16-18 Gauge	—	
—	60443	Receptacle Lock, 4 way, 14-18 Gauge	—	
33	96452	Circuit Breaker, 7A	1	

This list continues on the next page.



GROUND CONTROLS

REV A



REV A

GROUND CONTROLS

Item	Part No.	Description	Quantity This Figure
34	104999	Receptacle Connector Assembly, 35 way, Black	1
—	104873	Receptacle Connector, 35 Position, Flanged	—
35	104874	Receptacle Connector, 3 Position, Flanged	1
—	104875	Terminal Pin, 12-14 Gauge	—
36	23405	Nutsert, 10-32 (models with hydraulic outriggers).....	8
		(models with manual outriggers)	10
37	49819	Screw - PHPM, 10-32 x 0.5 inch, GR 2	12
38	49378	Screw - HHC, M8 -1.25 x 16 mm, GR 8.8 (before serial number T3400-001)	4
—	23057	Screw - HHC, M8 -1.25 x 20 mm, GR 8.8 (after serial number T3499-769)	—
39	49408	Lock Washer, M8	4
40	25368	Nylock Nut, M8 (before serial number T3400-001)	4
—	22571	Nut, M8 (after serial number T3499-769)	—

Schematics

REV A



Observe and Obey:

- ☑ Troubleshooting and repair procedures shall be completed by a person trained and qualified on the repair of this machine.
- ☑ Immediately tag and remove from service a damaged or malfunctioning machine.
- ☑ Repair any machine damage or malfunction before operating the machine.

Before Troubleshooting:

- ☑ Read, understand and obey the safety rules and operating instructions in the appropriate operator's manual on your machine.
- ☑ Be sure that all necessary tools and test equipment are available and ready for use.

About This Section

There are two groups of schematics in this section. An illustration legend precedes each group of drawings.

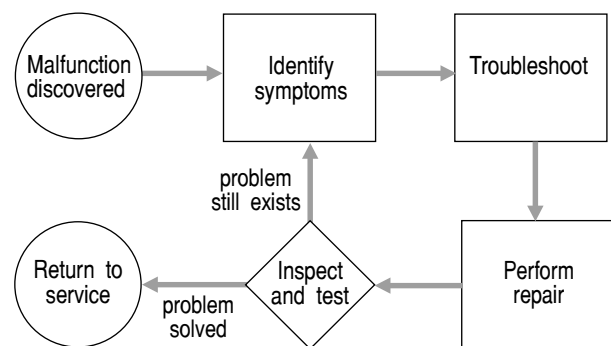
Electrical Schematics

⚠WARNING Electrocution hazard. Contact with electrically charged circuits could result in death or serious injury. Remove all rings, watches and other jewelry.

Hydraulic Schematics

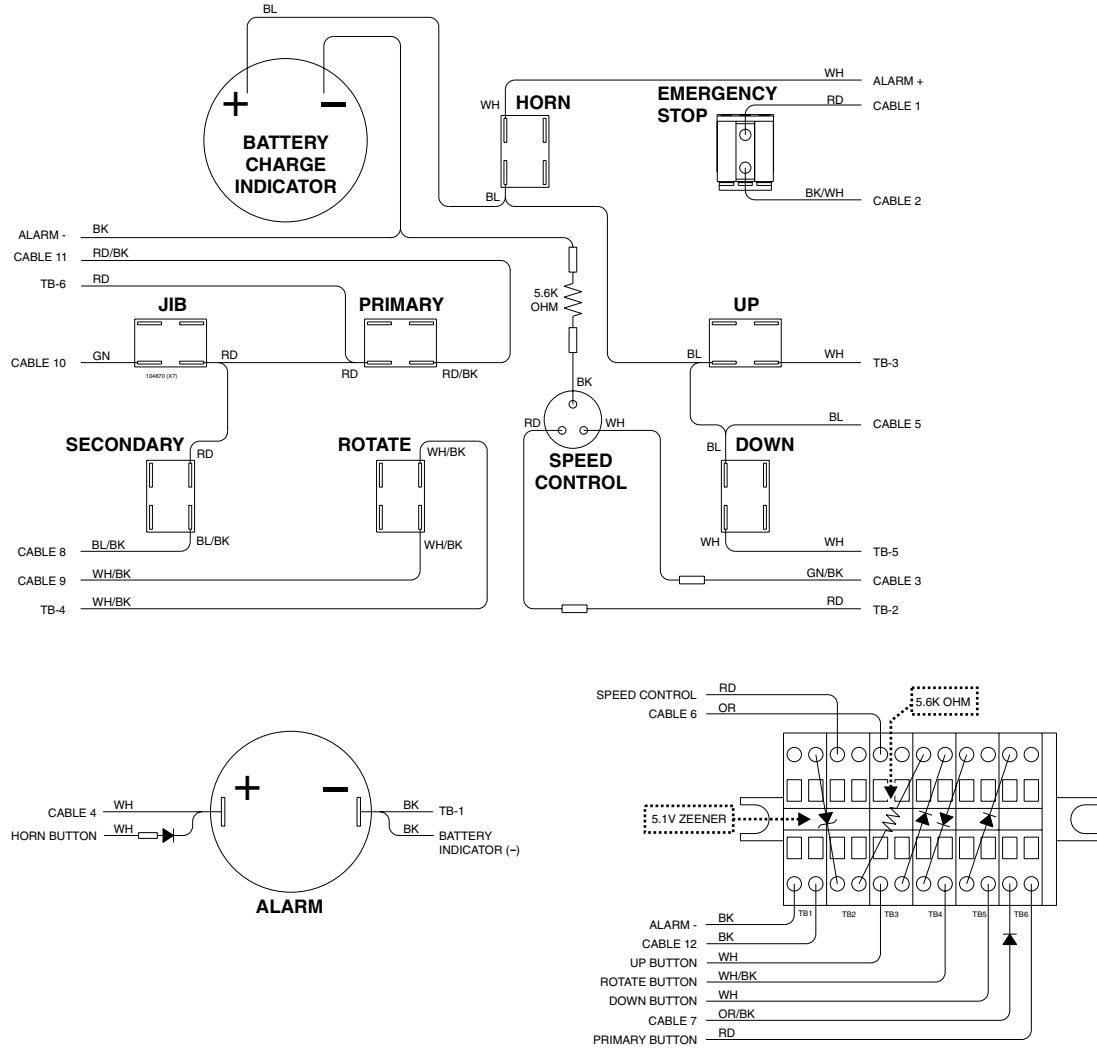
⚠WARNING Bodily injury hazard. Spraying hydraulic oil can penetrate and burn skin. Loosen hydraulic connections very slowly to allow the oil pressure to dissipate gradually. Do not allow oil to squirt or spray.

General Repair Process



Wiring Diagram - Platform Controls

REV A

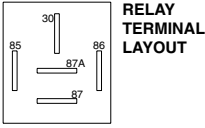
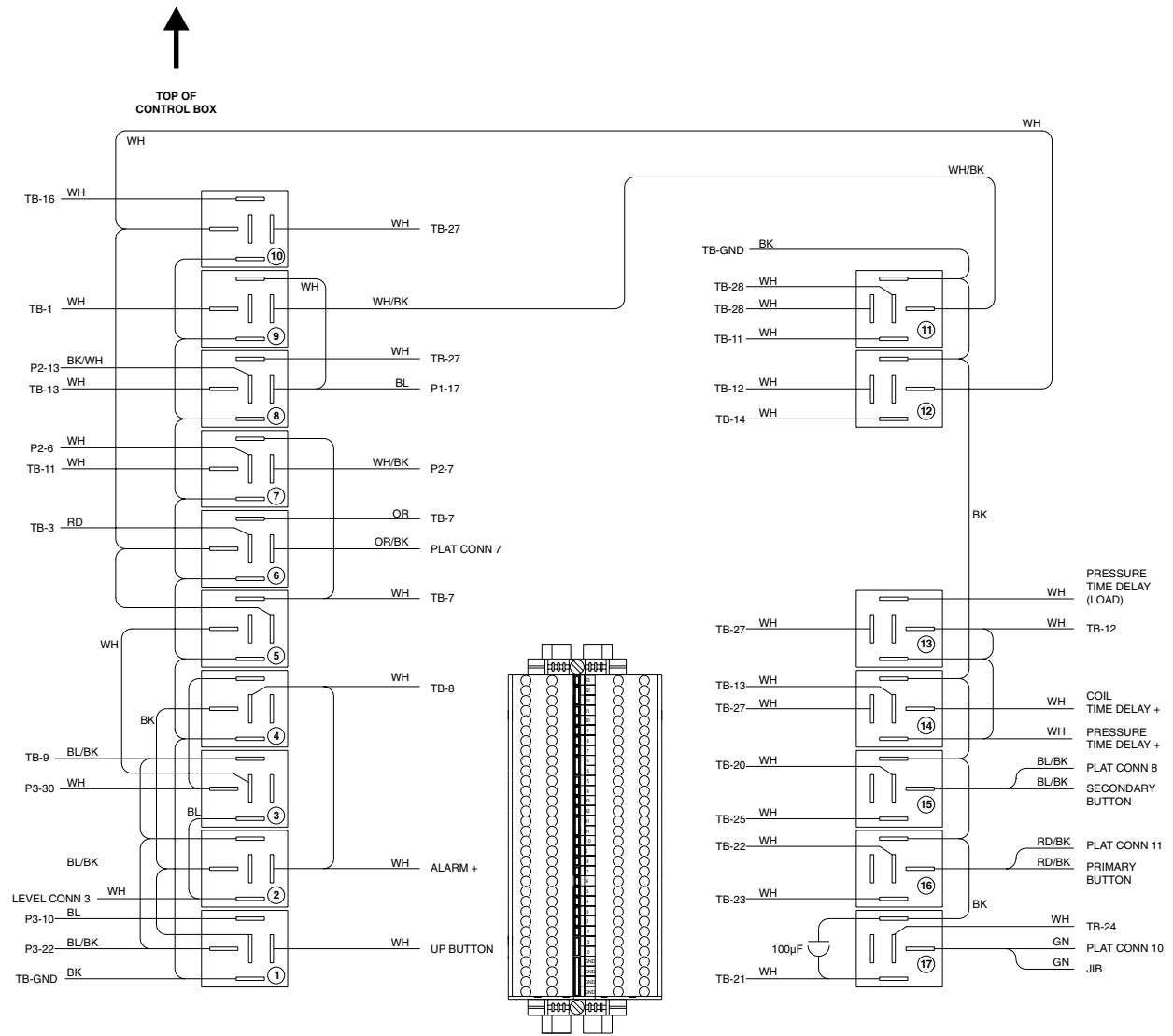


104992A

Wiring Diagram - Ground Controls

Models with Manual Outriggers
Part 1 of 4

REV A

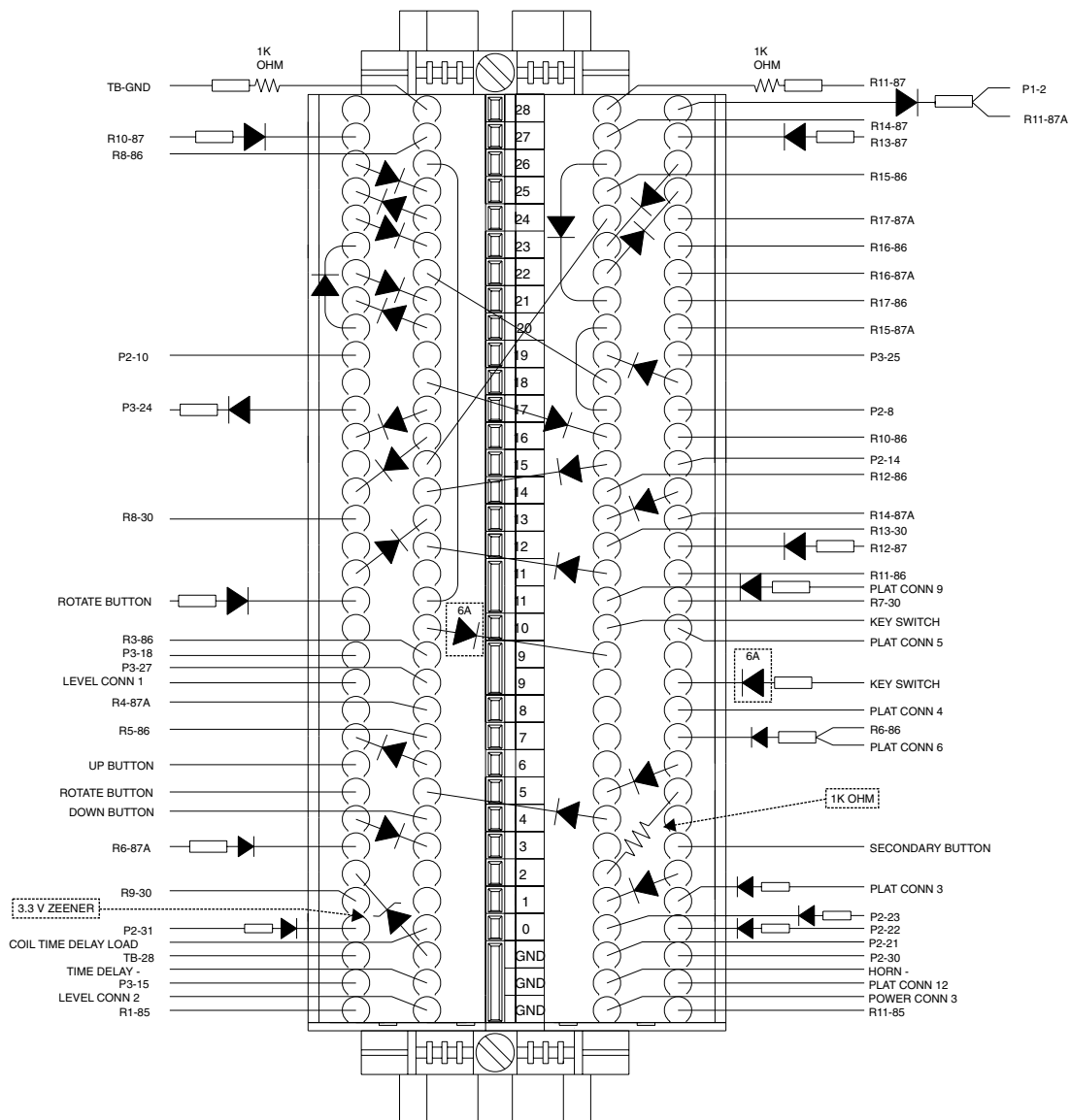


104991A

Wiring Diagram - Ground Controls

Models with Manual Outriggers
Part 2 of 4

REV A



**NOTE: DIODES ARE 2 AMP
UNLESS OTHERWISE MARKED**

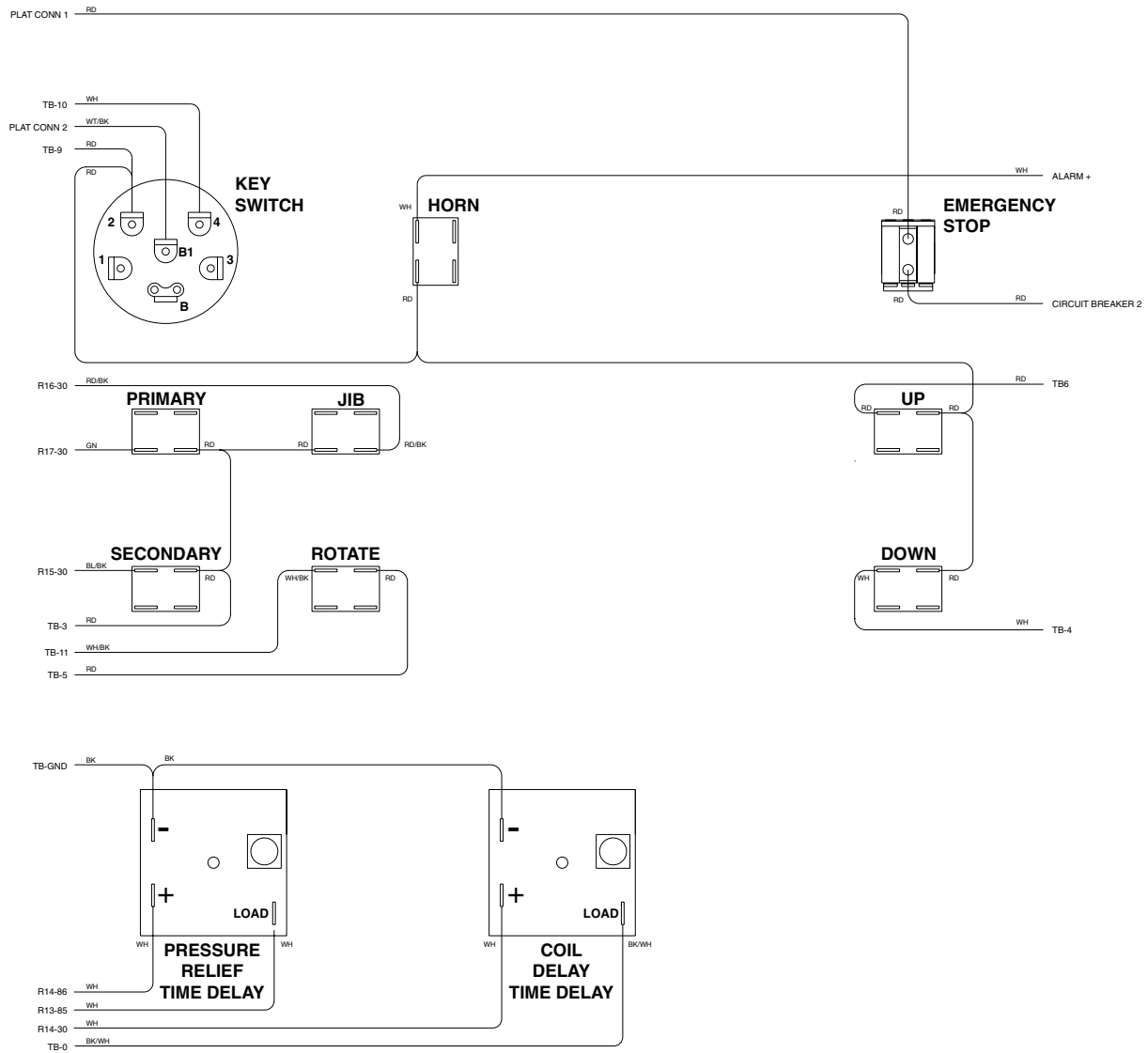
104991A



Wiring Diagram - Ground Controls

Models with Manual Outriggers
Part 3 of 4

REV A

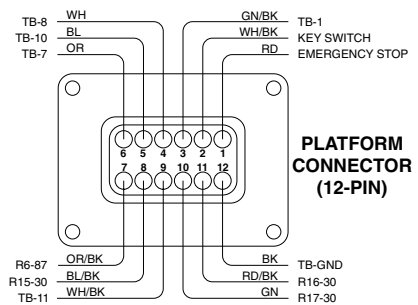
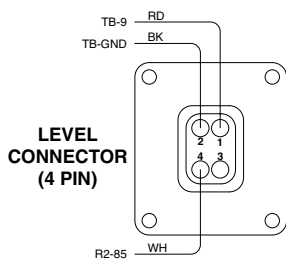
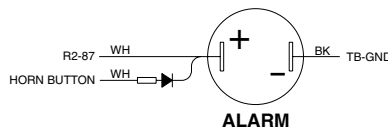
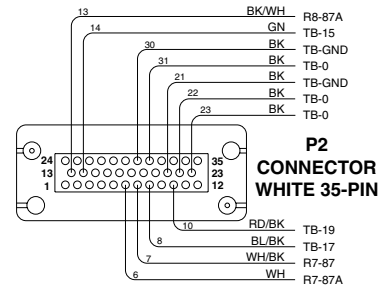
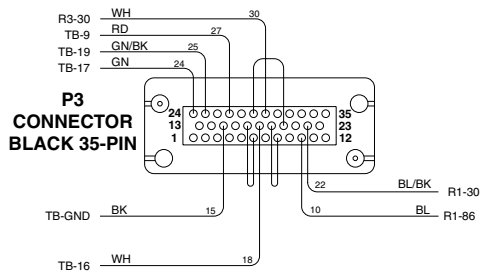
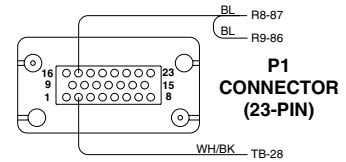
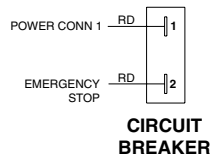
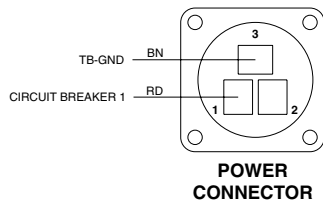


104991A

Wiring Diagram - Ground Controls

Models with Manual Outriggers
Part 4 of 4

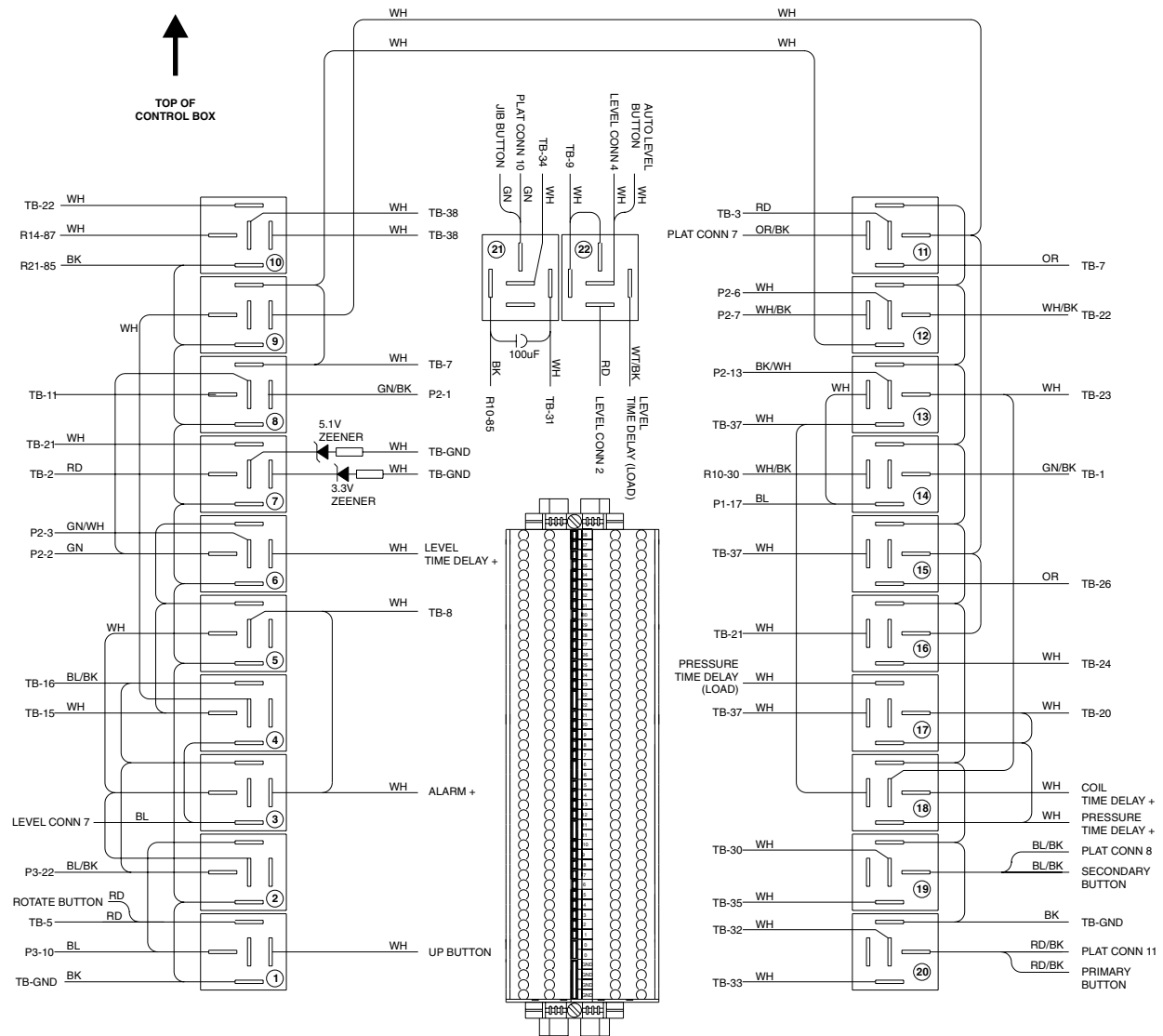
REV A



Wiring Diagram - Ground Controls

Models with Hydraulic Outriggers
Part 1 of 4

REV A



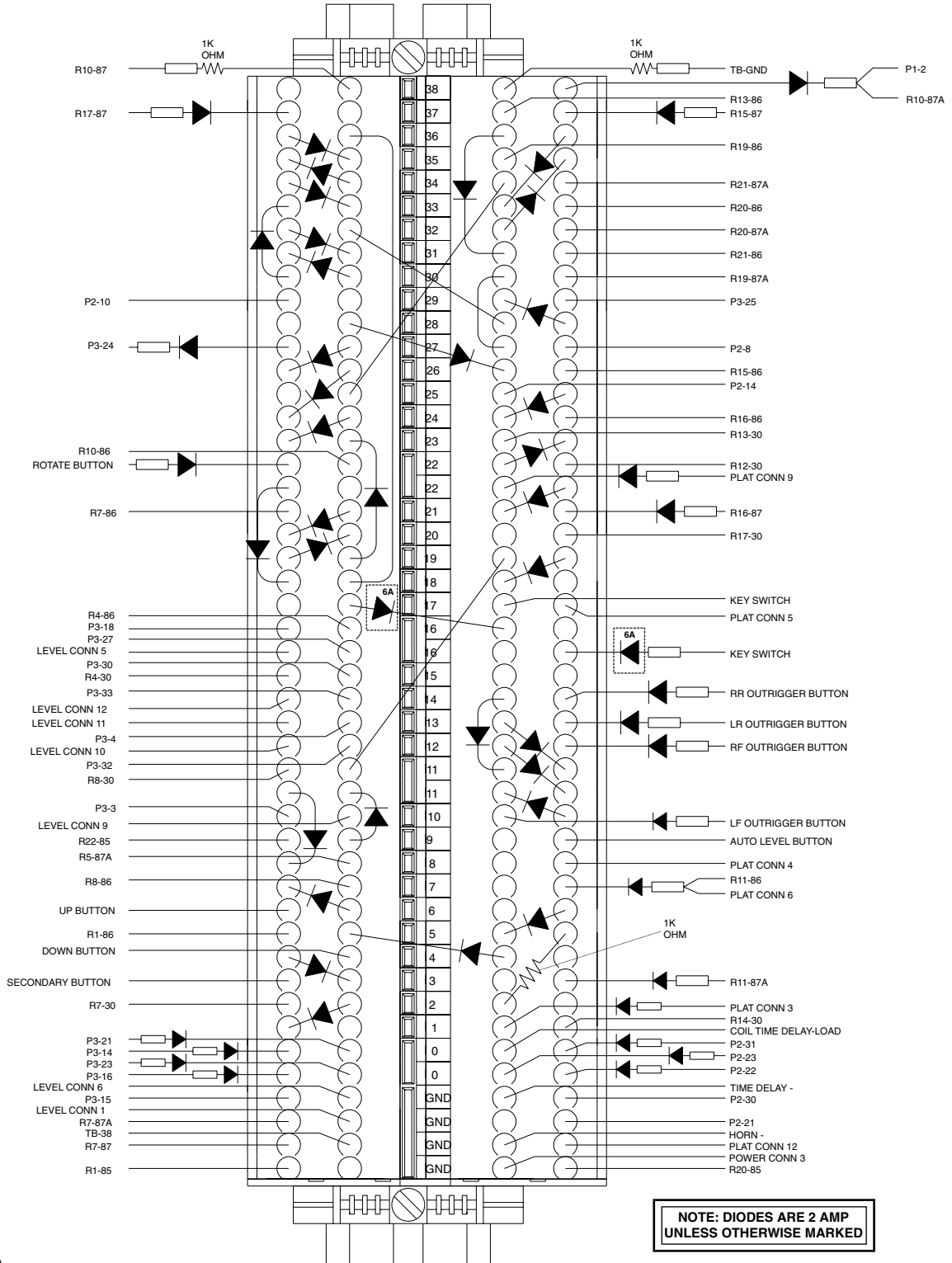
104990A



Wiring Diagram - Ground Controls

Models with Hydraulic Outriggers
Part 2 of 4

REV A



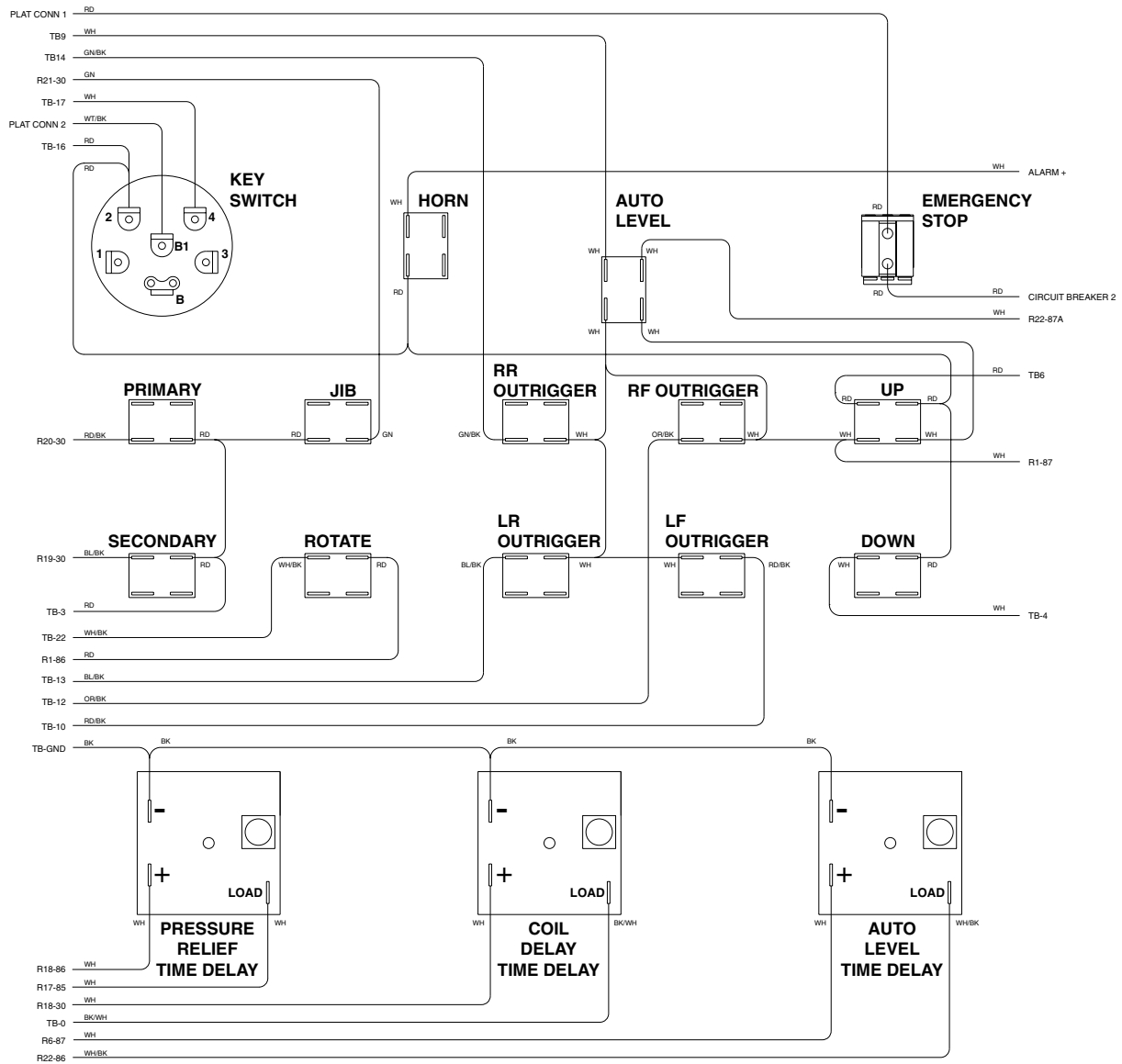
104990A



Wiring Diagram - Ground Controls

Models with Hydraulic Outriggers
Part 3 of 4

REV A



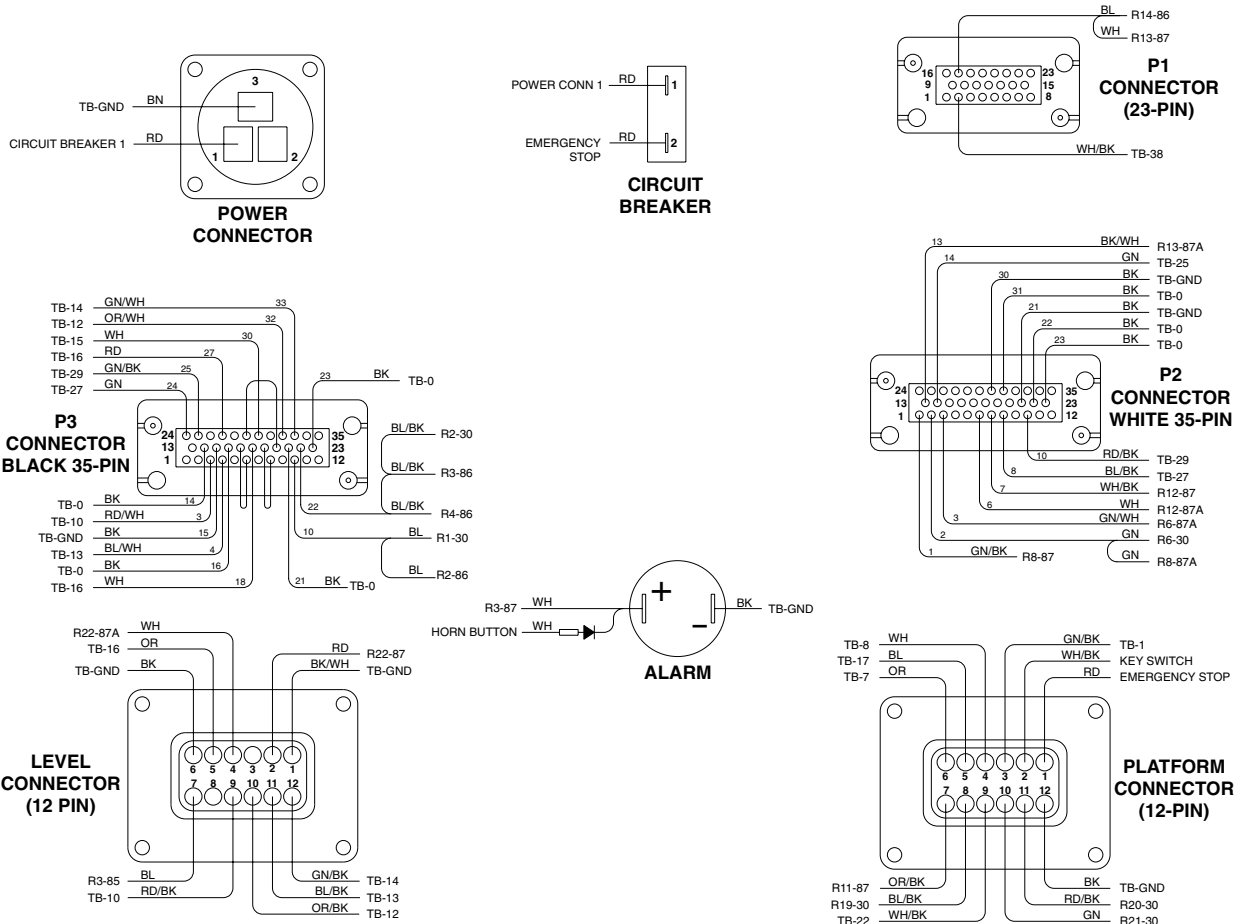
104990A



Wiring Diagram - Ground Controls

Models with Hydraulic Outriggers
Part 4 of 4

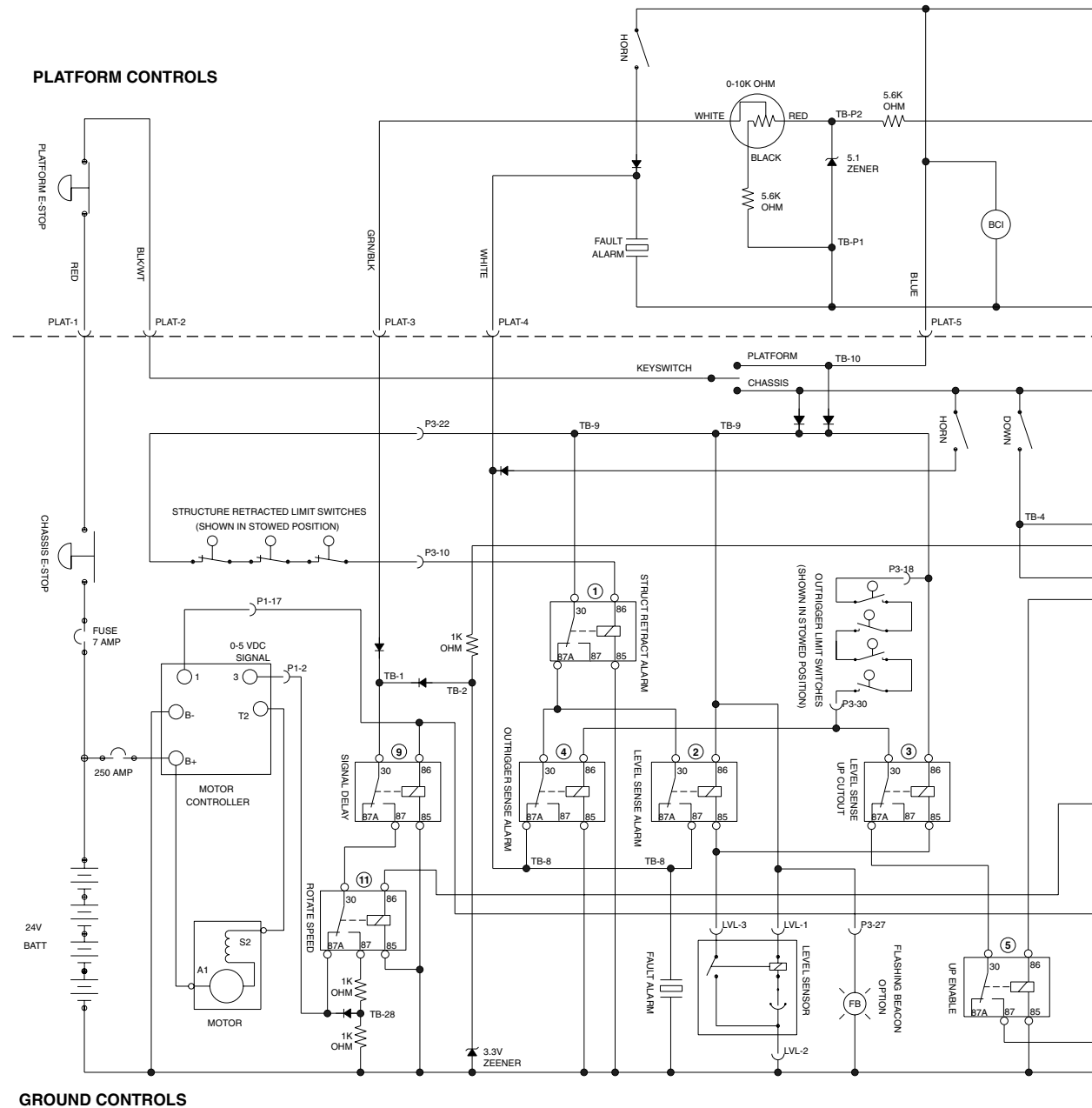
REV A



Electrical Schematic

Models with Manual Outriggers
Part 1 of 2

REV A



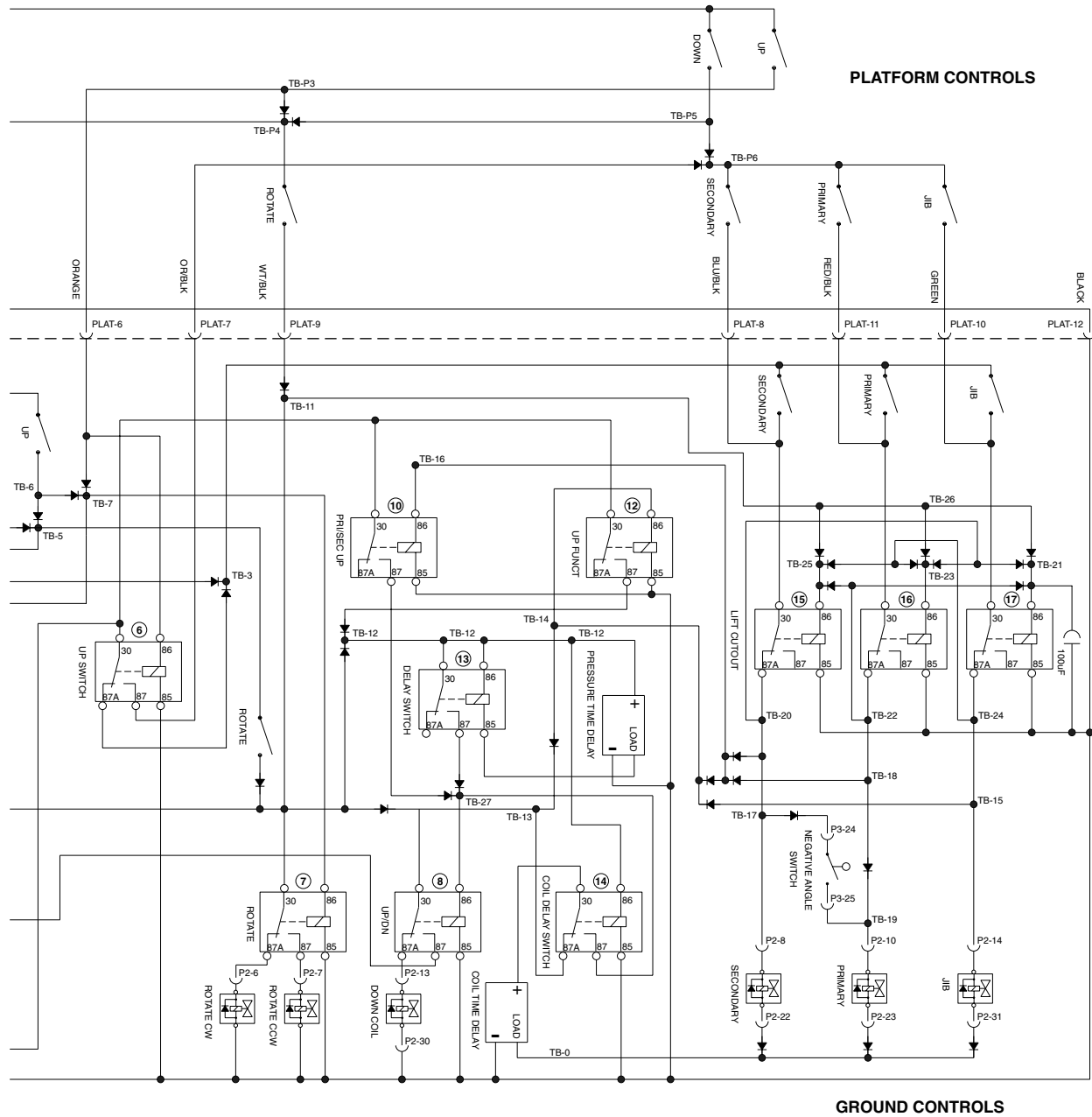
ES7181B



REV A

Electrical Schematic

Models with Manual Outriggers
Part 2 of 2



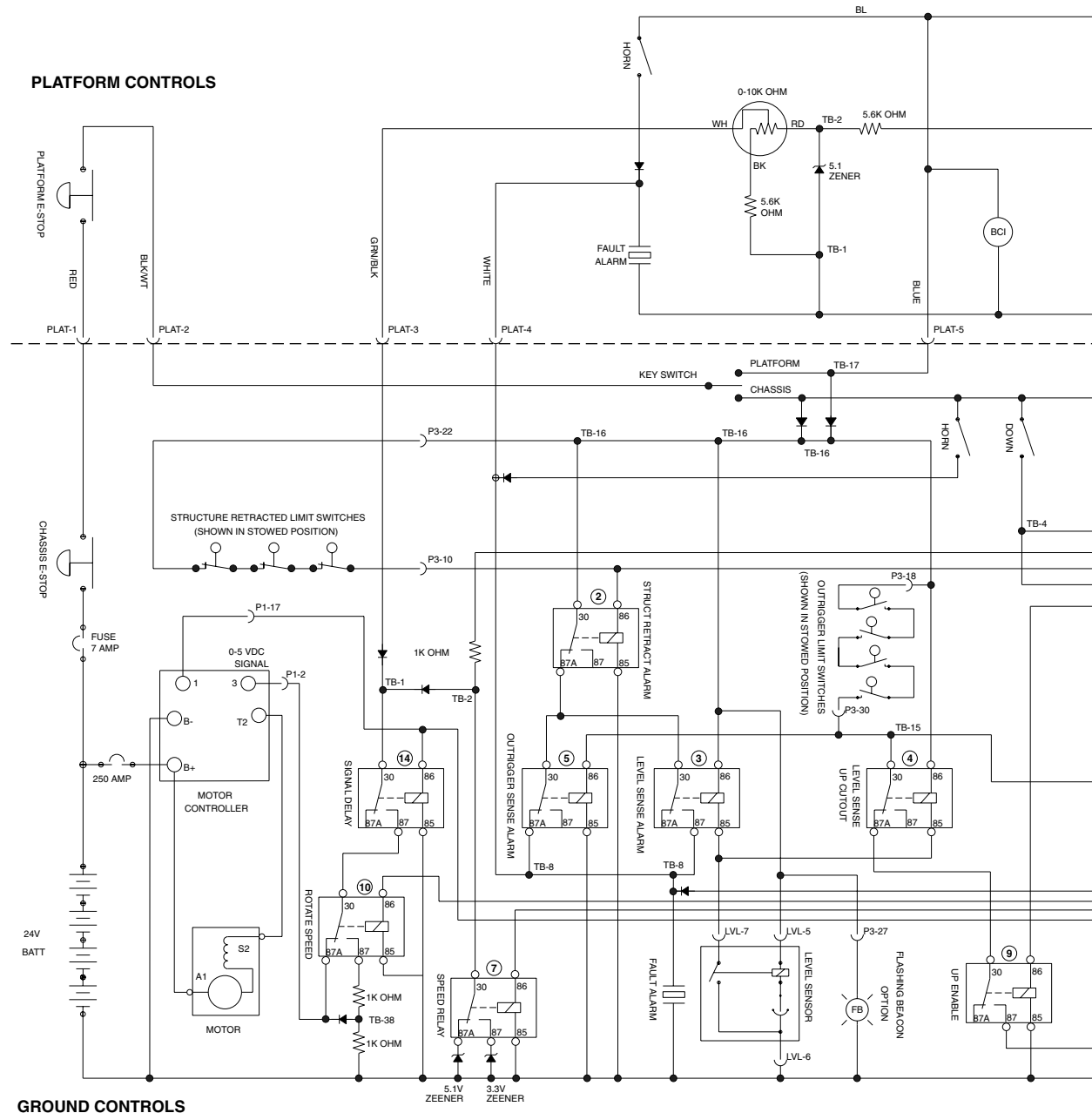
ES7181B



Electrical Schematic

Models with Hydraulic Outriggers
Part 1 of 3

REV A



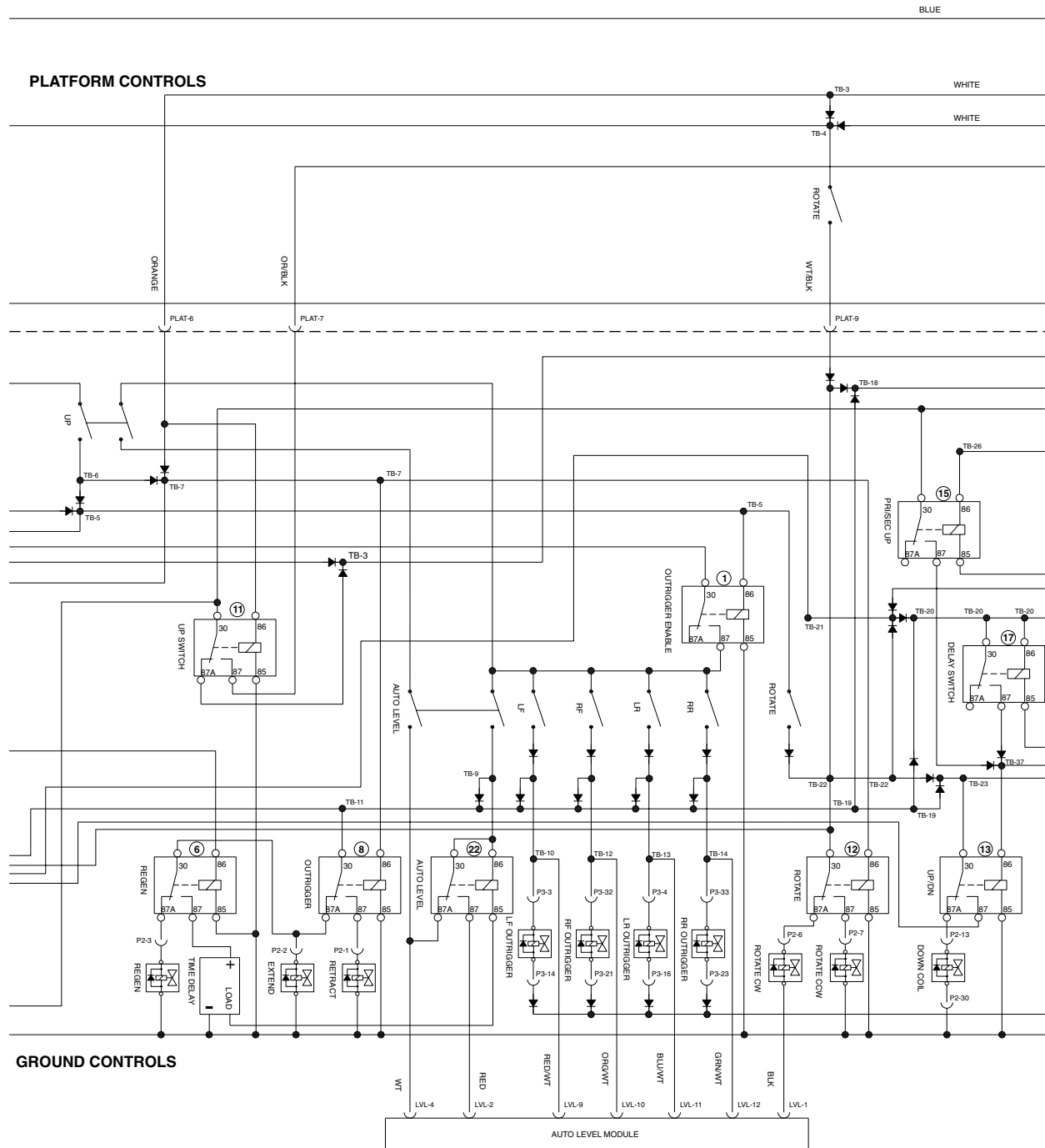
ES7180B



REV A

Electrical Schematic

Models with Hydraulic Outriggers
Part 2 of 3



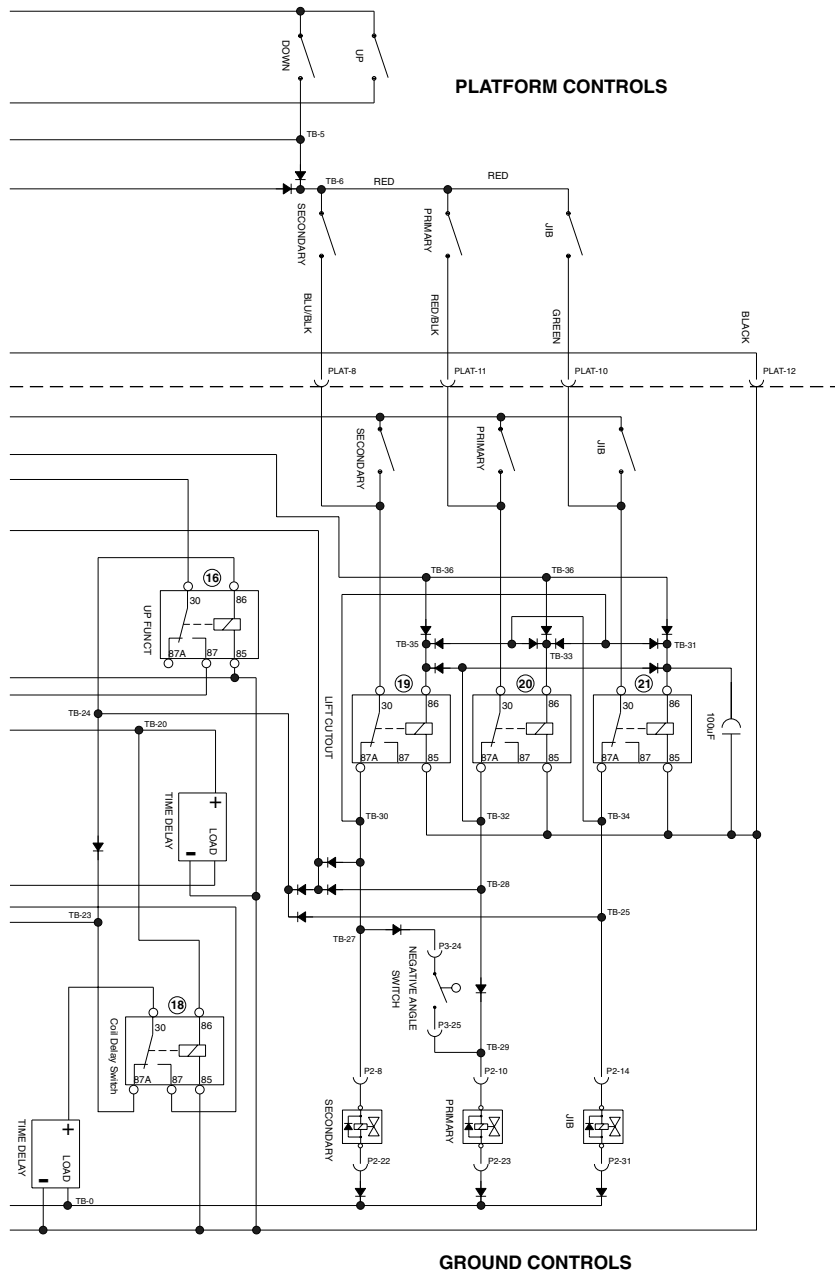
ES7180B



Electrical Schematic

Models with Hydraulic Outriggers
Part 3 of 3

REV A



ES7180B



Genie Scandinavia Phone +46 31 575100 Fax +46 31 579020
Genie France Phone +33 (0)2 37 26 09 99 Fax +33 (0)2 37 26 09 98
Genie Iberica Phone +34 93 579 5042 Fax +34 93 579 5059
Genie Germany Phone +49 (0)4202 88520 Fax +49 (0)4202 8852-20
Genie U.K. Phone +44 (0)1476 584333 Fax +44 (0)1476 584334
Genie Mexico City Phone +52 55 5666 5242 Fax +52 55 5666 3241

Genie North America
 Phone 425.881.1800
 Toll Free USA and Canada
 800.536.1800
 Fax 425.883.3475

Genie Australia Pty Ltd.
 Phone +61 7 3375 1660
 Fax +61 7 3375 1002

Genie China
 Phone +86 21 53852570
 Fax +86 21 53852569

Genie Malaysia
 Phone +65 98 480 775
 Fax +65 67 533 544

Genie Japan
 Phone +81 3 3453 6082
 Fax +81 3 3453 6083

Genie Korea
 Phone +82 25 587 267
 Fax +82 25 583 910

Genie Brasil
 Phone +55 11 41 665 755
 Fax +55 11 41 665 754

Genie Holland
 Phone +31 183 581 102
 Fax +31 183 581 566

Distributed By: