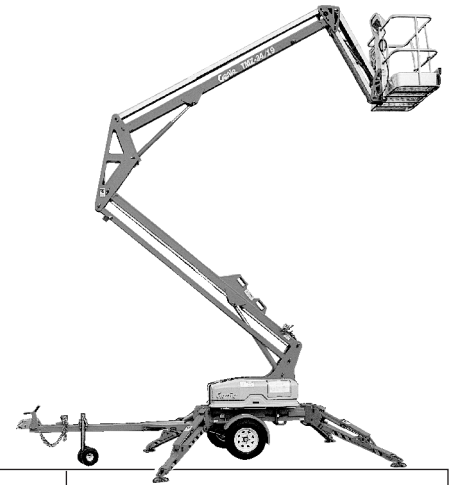


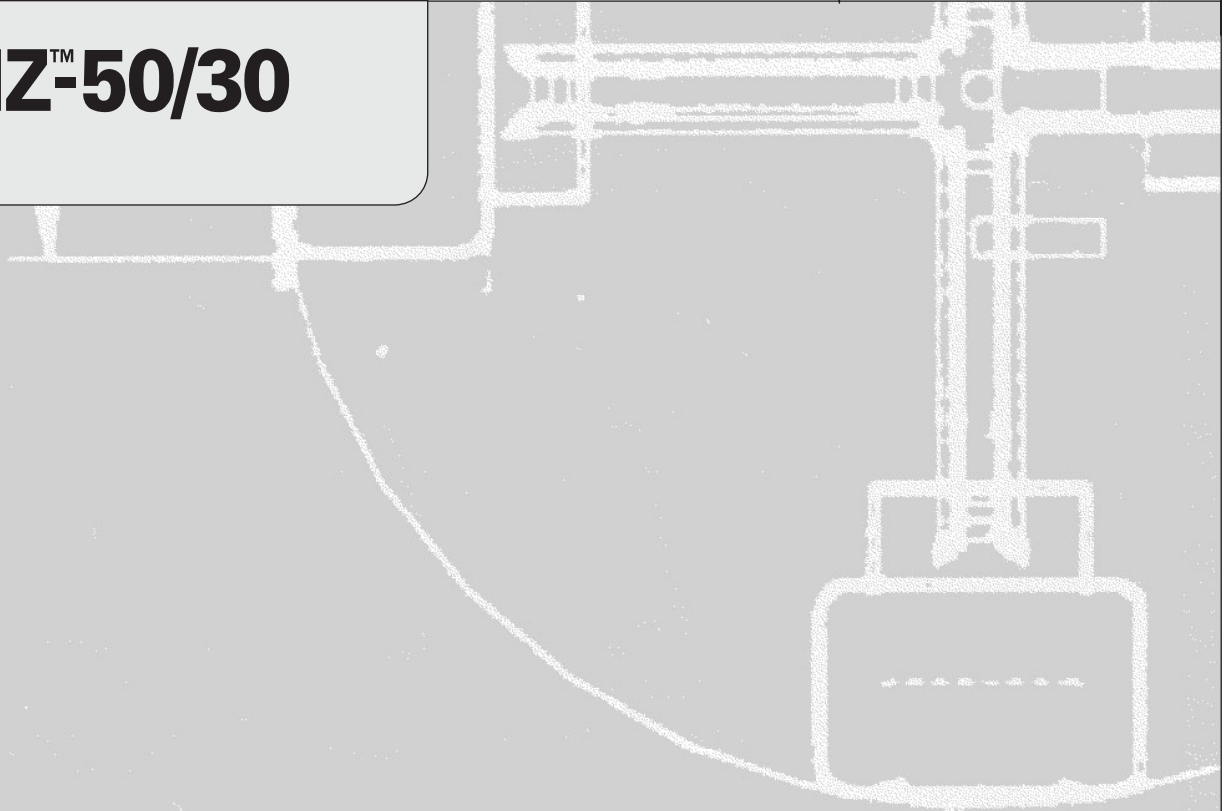
# Genie®



## Parts and Service Manual Supplement

Part No. 115052  
Rev A  
November 2006

### TMZ™-50/30



---

## Important

Read, understand and obey the safety rules and operating instructions in the *TMZ-50/30 Operator's Manual* before attempting any maintenance or repair procedure.

This manual provides detailed parts and service information for qualified service professionals.

Basic mechanical, hydraulic and electrical skills are required to perform most procedures. However, several procedures require specialized skills, tools, lifting equipment and a suitable workshop. In these instances, we strongly recommend that maintenance and repair be performed at an authorized Genie dealer service center.

This Parts and Service Manual Supplement provides service parts information and electrical schematics for the recently released TMZ-50/30 Control System, which are not included in your parts or service manuals. Please add this parts information and electrical schematics to the parts and service manuals for your machine.

---

## Technical Publications

Genie Industries has endeavored to deliver the highest degree of accuracy possible. However, continuous improvement of our products is a Genie policy. Therefore, product specifications are subject to change without notice.

Readers are encouraged to notify Genie of errors and send in suggestions for improvement. All communications will be carefully considered for future printings of this and all other manuals.

---

## Contact Us:

PO Box 97030  
Redmond, WA 98073-9730 USA

[www.genieindustries.com](http://www.genieindustries.com)  
e-mail: [techsup@genieind.com](mailto:techsup@genieind.com)

---

Copyright © 1998 by Genie Industries

115052 Rev A November 2006  
First Edition, First Printing

"Genie" is a registered trademark of Genie Industries in the USA and many other countries.  
"TMZ" is a trademark of Genie Industries.

 Printed on recycled paper

Printed in U.S.A.

---

# Table of Contents

---

## Introduction

Important Information .....	2
-----------------------------	---

---

## Section 1

### Rev Service Parts

A	Decals .....	6
A	Platform Controls .....	12
A	Ground Controls .....	16
A	Drive Controls, View 1 .....	22
A	Drive Controls, View 2 .....	26

---

## Section 2

### Rev Schematics

A	Introduction .....	29
A	Wiring Diagram - Ground Controls, View A-A .....	30
A	Wiring Diagram - Ground Controls, View B-B .....	31
A	Wiring Diagram - Ground Controls, View C-C .....	32
A	Wiring Diagram - Platform Controls, View D-D .....	33
A	Wiring Diagram - Platform Controls, View E-E .....	34
A	Wiring Diagram - Platform Controls, View F-F .....	35
A	Wiring Diagram - Drive Controls, View G-G .....	36
A	Wiring Diagram - Drive Controls, View H-H .....	37
A	Wiring Diagram - Drive Controls, View J-J .....	38

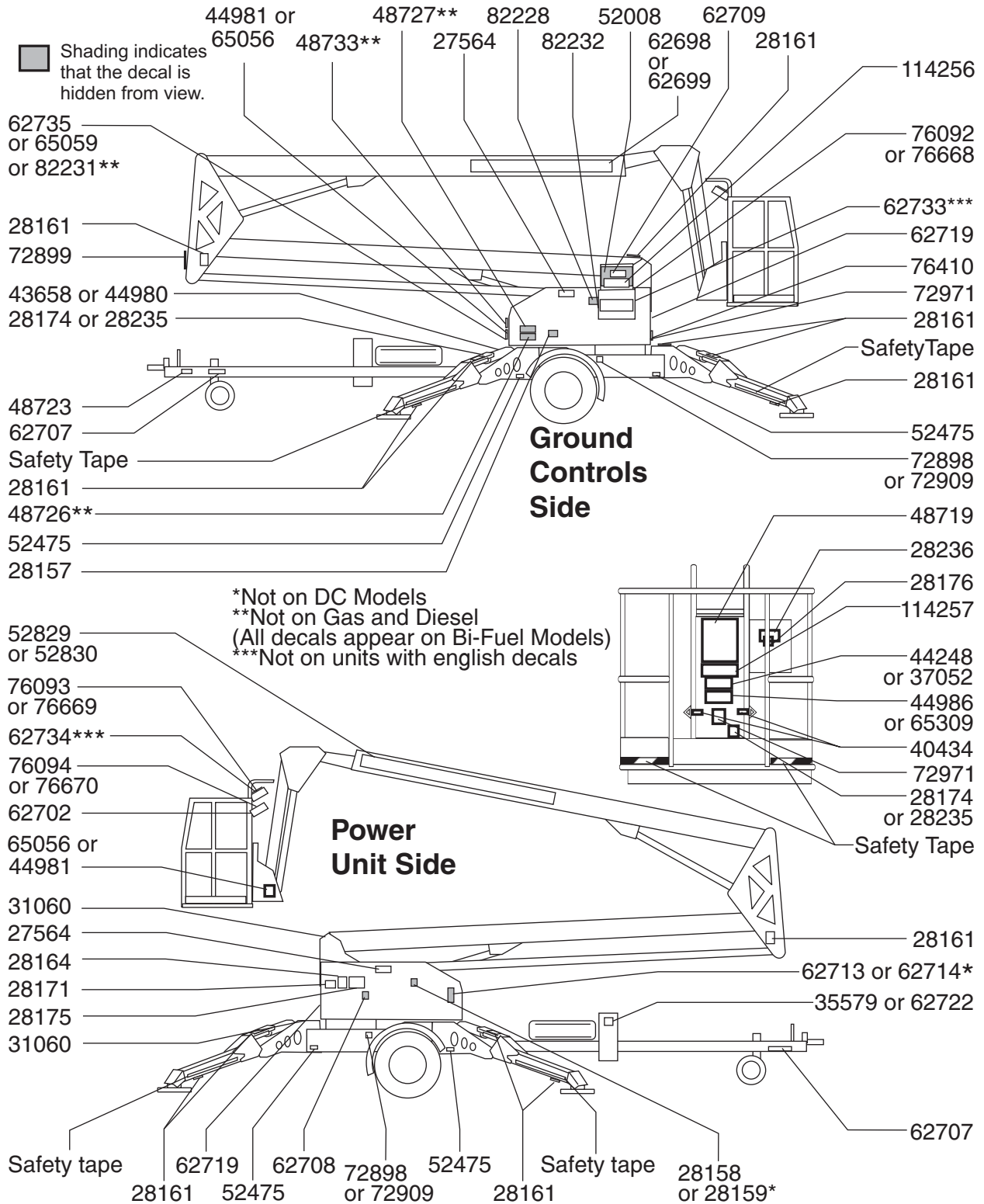
<b>Section 6</b>	<b>Rev</b>	<b>Schematics, continued</b>	
	A	Electrical Schematic - Platform Controls (all models) .....	6 - 40
	A	Electrical Schematic - Drive Controls (all models) .....	6 - 41
	A	Electrical Schematic - DC Models (before serial number T5000-91) .....	6 - 42
	A	Electrical Schematic - DC Models (from serial number T5000-91 to T5002-24) .....	6 - 44
	A	Electrical Schematic - DC Models (from serial number T5002-25 to TMZ5003-228) .....	6 - 46
	A	Electrical Schematic - DC Models (after serial number TMZ5003-228) .....	6 - 48
	A	Electrical Schematic - Gasoline Models (before serial number T5000-91) .....	6 - 50
	A	Electrical Schematic - Gasoline Models (from serial number T5000-91 to T5002-24) .....	6 - 52
	A	Electrical Schematic - Gasoline Models (from serial number T5002-25 to TMZ5003-228) .....	6 - 54
	A	Electrical Schematic - Gasoline Models (after serial number TMZ5003-228) .....	6 - 56
	A	Electrical Schematic - Gasoline Bi-Fuel Models (before serial number T5000-91) .....	6 - 58
	A	Electrical Schematic - Gasoline Bi-Fuel Models (from serial number T5000-91 to T5002-24) .....	6 - 60
	A	Electrical Schematic - Gasoline Bi-Fuel Models (from serial number T5002-25 to TMZ5003-228) .....	6 - 62
	A	Electrical Schematic - Gasoline Bi-Fuel Models (after serial number TMZ5003-228) .....	6 - 64

---

<b>Section 6</b>	<b>Rev</b>	<b>Schematics, continued</b>	
	A	Electrical Schematic - Diesel Models (before serial number T5000-91) .....	6 - 66
	A	Electrical Schematic - Diesel Models (from serial number T5000-91 to T5002-24) .....	6 - 68
	A	Electrical Schematic - Diesel Models (from serial number T5002-25 to TMZ5003-228) .....	6 - 70
	A	Electrical Schematic - Diesel Models (after serial number TMZ5003-228) .....	6 - 72
	A	Electrical Schematic - Diesel Bi-Fuel Models (before serial number T5000-91) .....	6 - 74
	A	Electrical Schematic - Diesel Bi-Fuel Models (from serial number T5000-91 to T5002-24) .....	6 - 76
	A	Electrical Schematic - Diesel Bi-Fuel Models (from serial number T5002-25 to TMZ5003-228) ....	6 - 78
	A	Electrical Schematic - Diesel Bi-Fuel Models (after serial number TMZ5003-228) .....	6 - 80

# Decals

REV A



REV A

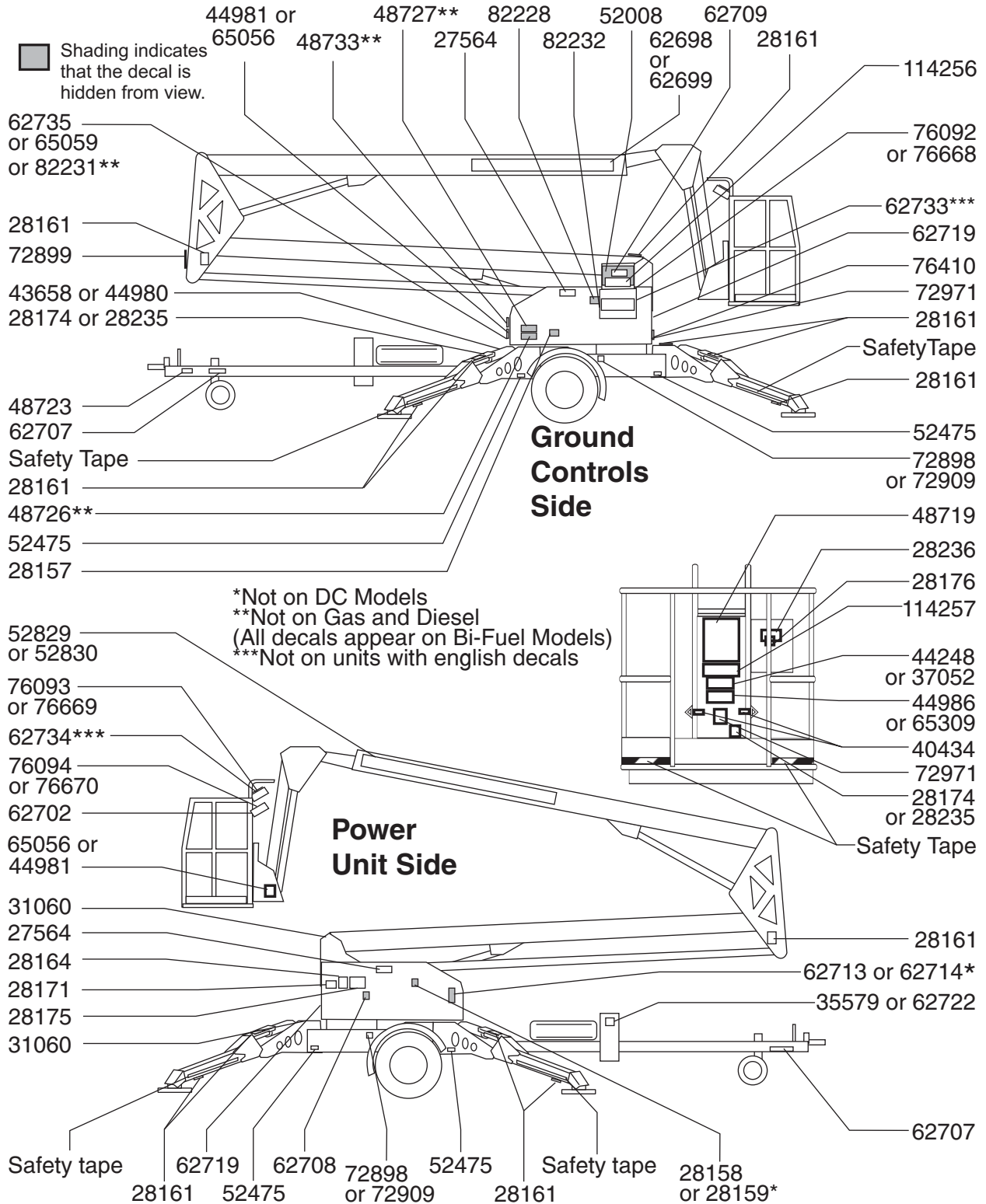
DECALS

Index	Part No.	Description	Quantity
1	27564	Danger - Electrocutation Hazard .....	2
2	28157	Label - Dexron .....	1
3	28158	Label - Unleaded .....	1
4	28159*	Label - Diesel .....	1
5	28161	Warning - Crushing Hand .....	12
6	28164	Notice - Hazardous Materials .....	1
7	28171	Label - No Smoking .....	1
8	28174	Power to Platform, 230V AC .....	2
9	28175	Caution - Compartment Access .....	1
10	28176	Notice - Missing Manuals .....	1
11	28235	Power to Platform, 115V AC .....	2
12	28236	Warning - Failure To Read . . . .....	1
13	31060	Danger, Do not alter limit switch .....	2
14	35579	Notice - Max Cap, Hook, 500 lbs / 227 kg .....	1
15	37052	Notice - Max Cap, 500 lbs / 227 kg .....	1
16	40434	Label - Lanyard Anchorage Point .....	2
17	43658	Notice - Power to Battery Charger, 230V AC .....	1
18	44248	Notice - Max Capacity, 440 lbs / 200 kg .....	1
19	44980	Notice - Power to Battery Charger, 115V AC .....	1
20	44981	Airline to Platform .....	2
21	44986	Notice - Side Force 90 lbs / 400N , CE .....	1
22	48719	Danger - General Safety, Platform .....	1
23	48723	Label - Parking Brake (surge) .....	1
24	48726**	Notice - Battery Charger Operating Instructions .....	1
25	48727**	Danger - Battery/Charger Safety .....	1
26	48733**	Danger - Tip-over (batteries) .....	1

**This list continues on the next page.**

DECALS

REV A





REV A

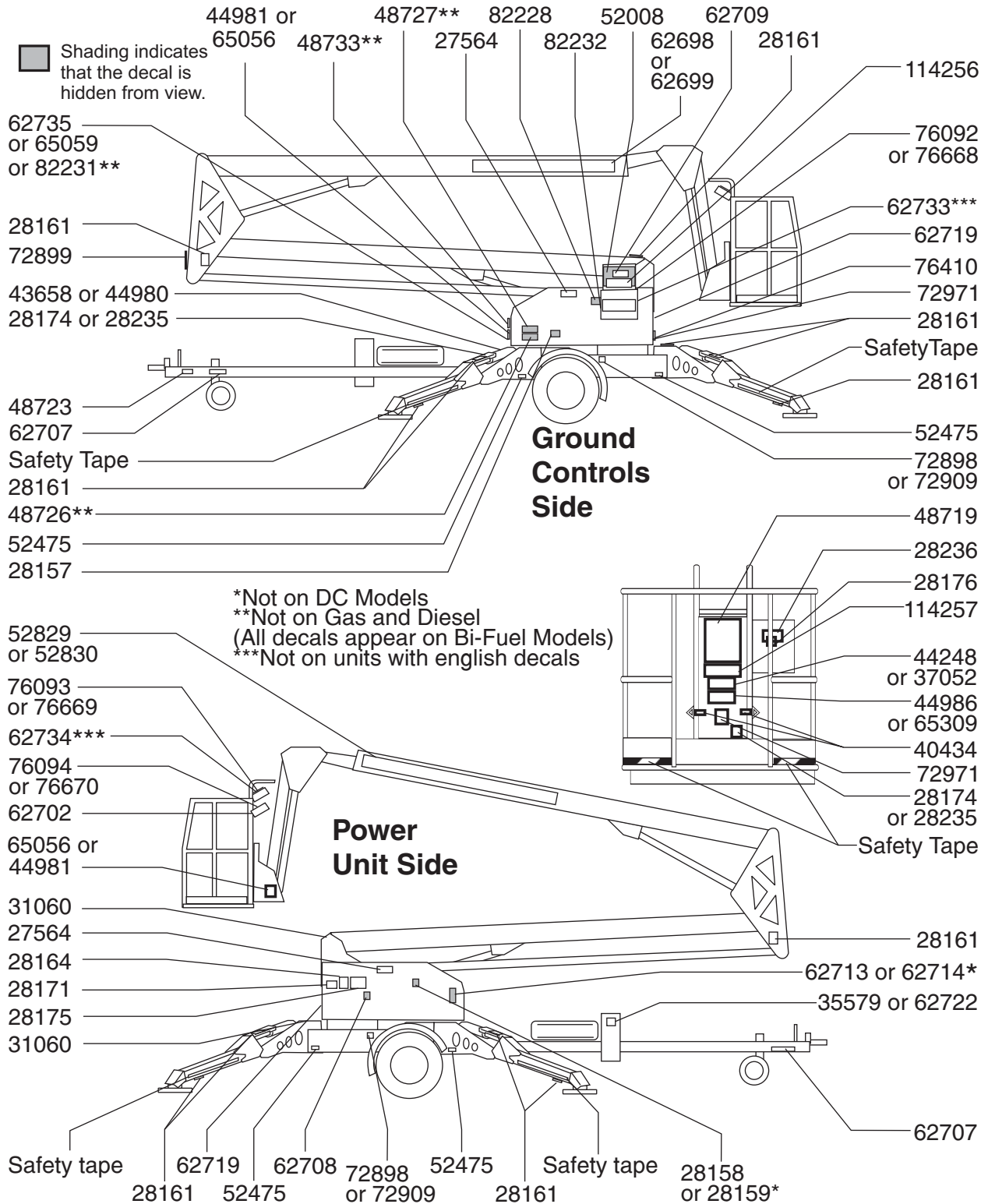
DECALS

Index	Part No.	Description	Quantity
27	52008	Danger - General Safety, Ground .....	1
28	52475	Label - Transport Tie-down .....	4
29	52569	Ground Control Panel .....	1
30	52829	Cosmetic - Genie TMZ-50/30 - Large .....	1
31	52830	Cosmetic - Genie TMZ-17/10 - Large .....	1
32	59625	Platform Control Panel .....	1
33	62698	Cosmetic - Genie TMZ-50/30 - Small .....	1
34	62699	Cosmetic - Genie TMZ-17/10 - Small .....	1
35	62700	Notice - Operating Instructions, Ground .....	1
36	62701	Notice - Operating Instructions, Platform .....	1
37	62702	Danger/Notice - Drive System .....	1
38	62707	Warning - Towing Hazard .....	2
39	62708	Label - Manual Lowering Valves .....	1
40	62709	Notice - Material Lifting Operation .....	1
41	62713	Notice - Honda Engine Specifications .....	1
42	62714	Notice - Hatz Engine Specifications .....	1
43	62719	Label - Arrow .....	2
44	62722	Notice - Max Capacity, 440 lbs / 200 kg .....	1
45	62733***	Patch, Ground Control Panel .....	1
46	62734***	Patch, Platform Control Panel .....	1
47	62735	Notice - Battery Connection Diagram, DC .....	1
48	65056	Label - Waterline to Platform .....	2
49	65059	Notice - Battery Connection Diagram, Bi-fuel .....	1
50	65309	Notice - Side Force, 90 lbs / 400N, ANSI and CSA .....	1
51	72898	Notice - Tire specification, ANSI and CSA .....	2

**This list continues on the next page.**

DECALS

REV A



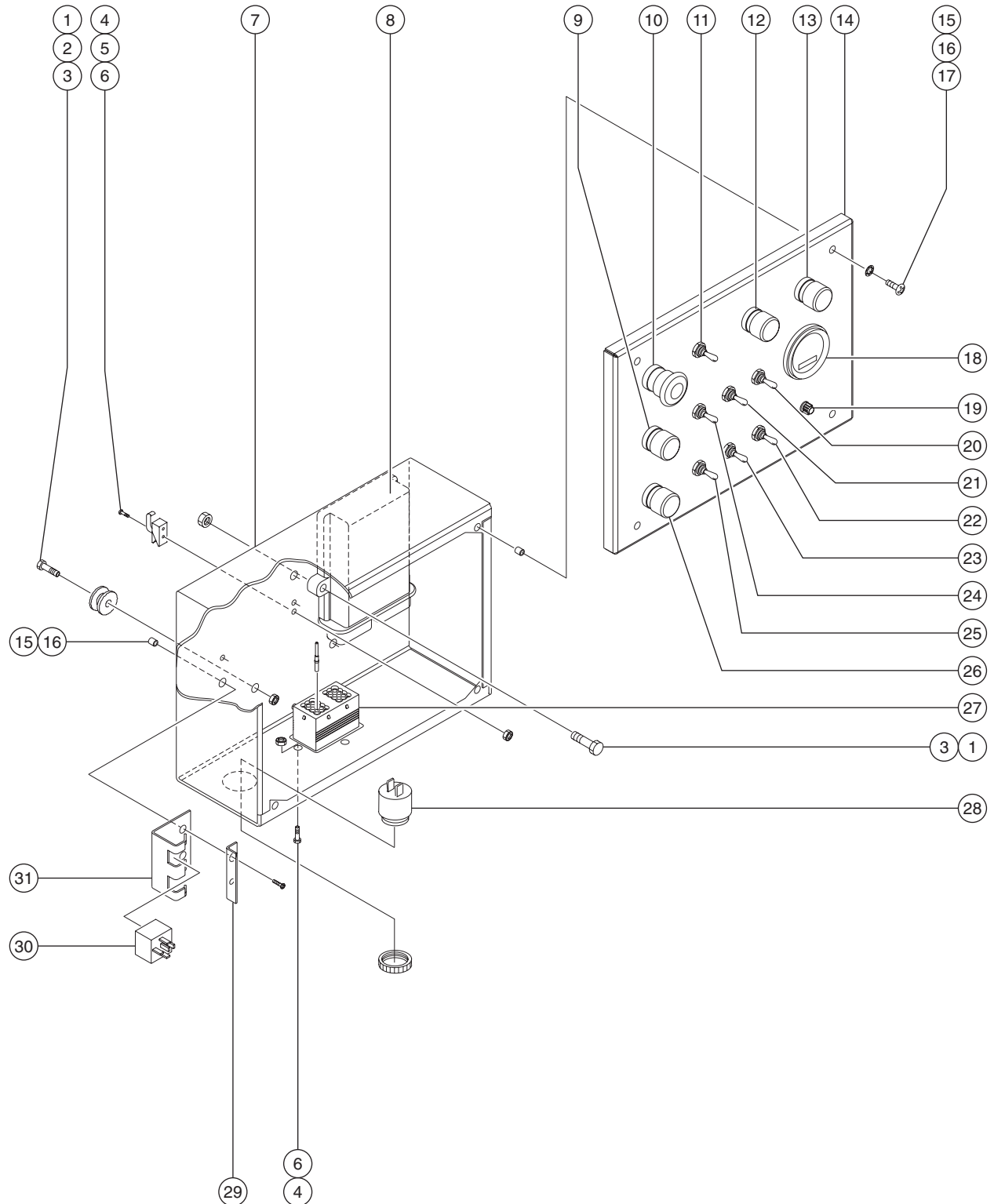
REV A

DECALS

Index	Part No.	Description	Quantity
52	72899	Decal - Notice, Transport Instructions .....	1
53	72909	Notice - Tire specification, CE .....	2
54	72971	Label - Transport to Canada .....	2
55	76092	Ground Control Panel .....	1
56	76093	Platform Control Panel .....	1
57	76094	Drive Control Panel .....	1
58	76410	Serial Label .....	1
59	76668	Ground Control Panel .....	1
60	76669	Platform Control Panel .....	1
61	76670	Danger/Notice - Drive System .....	1
62	82228	Label - Fault Codes .....	1
63	82231**	Notice - Battery Connection Diagram, DC Models with Drive .....	1
64	82232	Label - LED Diagnostic Readout .....	1
65	114256	Notice - Operating Instructions, Ground .....	1
66	114257	Notice - Operating Instructions, Platform .....	1

# Platform Controls

REV A



REV A

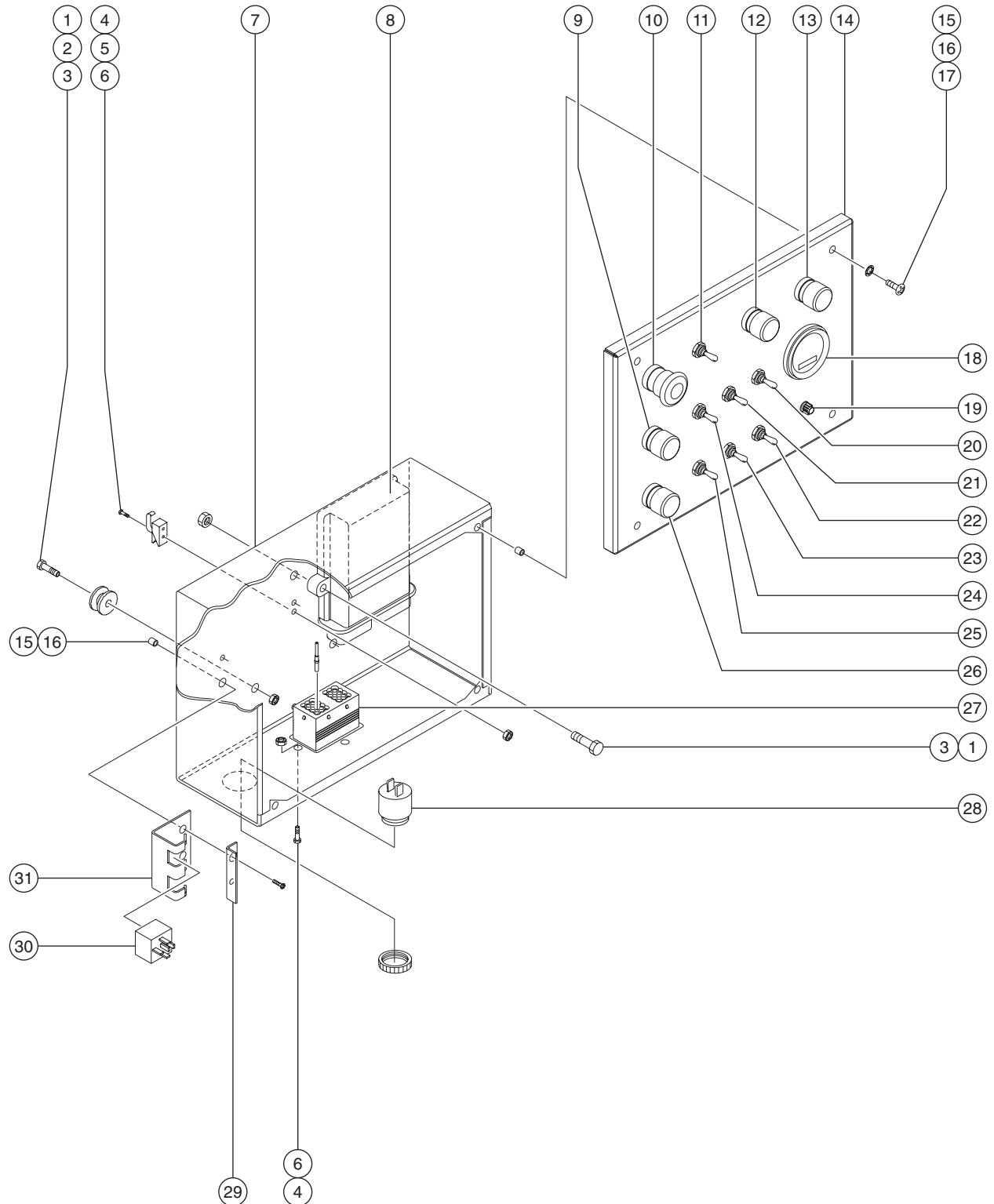
## PLATFORM CONTROLS

Item	Part No.	Description	Quantity This Figure
—	76674	Platform Control Box Assembly, IC - Complete .....	—
—	76672	Platform Control Box Assembly, DC - Complete .....	—
—	76649	Platform Control Box Assembly, Bi-Fuel - Complete .....	—
—	42428	Resistor, 10k ohms, 1 Watt .....	—
—	104333	Resistor, 1k ohms, 2 Watt .....	—
1	6888	Screw - HHC, 1/4 -20 x 1 inch, GR 5 .....	5
2	66866	Button - Joystick Mount .....	3
3	6889	Low Profile Nylock Nut, 1/4 -20 .....	5
4	49820	Screw - PHPM, 6-32 x 0.5 inch, GR 2 .....	5
5	47218	Draw Latch - Over Center (includes keeper and latch) .....	1
—	62819	Keeper - Over Center Latch .....	—
6	12344	Nylock Nut, 6-32 .....	6
7	76645	Platform Control Box .....	1
8	76646	Dual Pulse Width Modulation Controller .....	1
9	66813	Push Button - Black with Seal (horn) .....	1
—	66815	Base with 1 N.O Contact .....	—
—	66816	N.O. Contact .....	—
10	66812	Push Button - Red Mushroom Head .....	1
—	66817	Base - Push Button (includes 1 N.C. contact) .....	—
—	66818	N.C. Contact .....	—
11	13038	Toggle Switch - DPDT, 3 position (power connection) .....	1
—	27246	Boot - Rubber .....	—
12	66813	Push Button - Black with Seal (engine start) (IC and Bi-fuel models) .....	1
—	66815	Base with 1 N.O Contact .....	—
—	66816	N.O. Contact .....	—
—	15243	Plug - Nylon, Black Domed (DC models) .....	—
13	66813	Push Button - Black with Seal (choke/preheat) (IC and Bi-fuel models) .....	1
—	66815	Base with 1 N.O Contact .....	—
—	66816	N.O. Contact .....	—
—	15243	Plug - Nylon, Black Domed (DC models) .....	—
14	76644	Platform Control Box Lid .....	1
15	49819	Screw - PHPM, 10-32 x 0.5 inch, GR 2 .....	6
16	99207	Internal Star Washer, #10 .....	4

This list continues on the next page.

PLATFORM CONTROLS

REV A



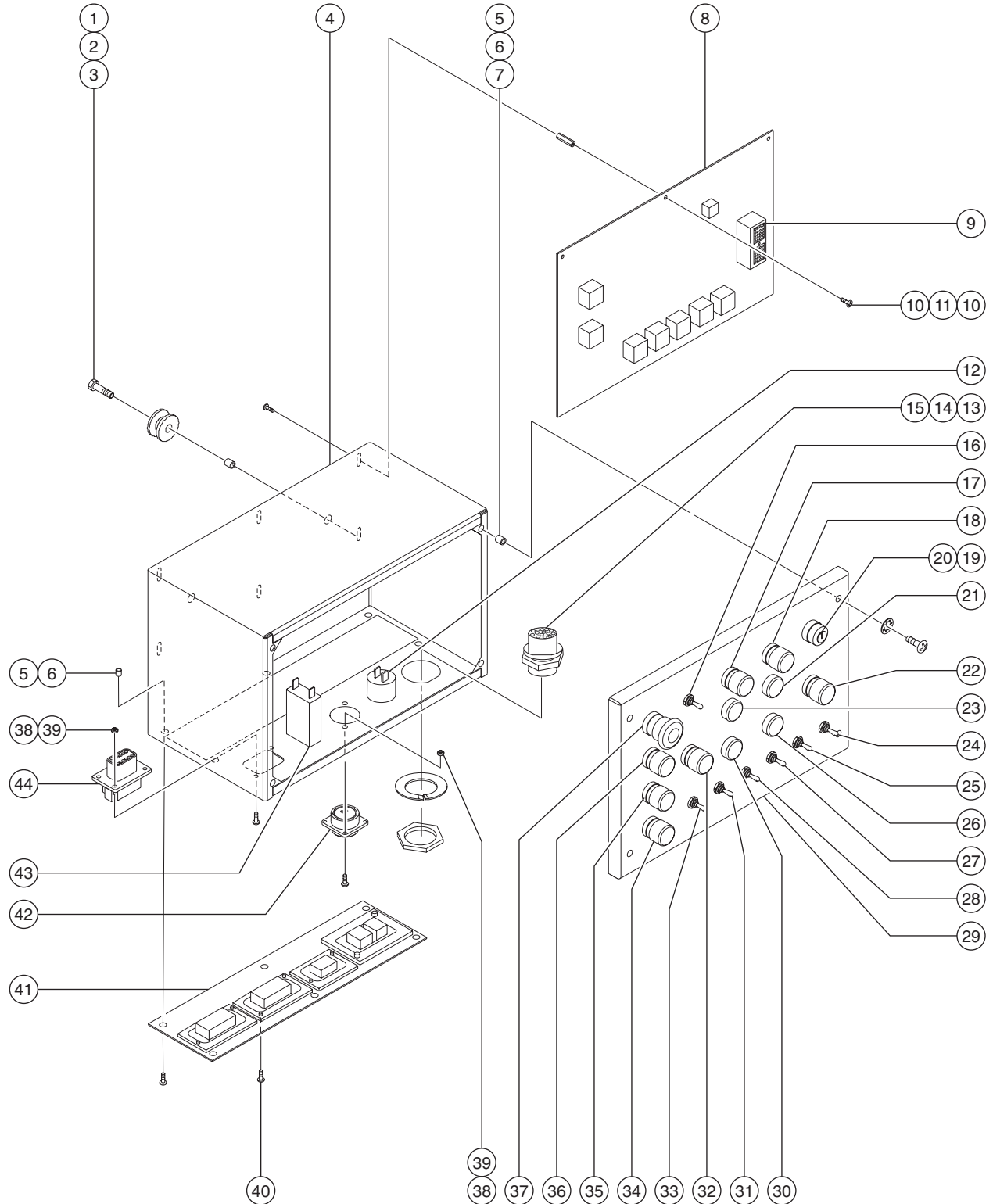
REV A

PLATFORM CONTROLS

Item	Part No.	Description	Quantity This Figure
17	23405	Nutsert, 10-32.....	6
18	76647	Indicator - Battery Discharge (DC and Bi-fuel models) .....	1
—	45840	Plug (IC models).....	—
19	104327	Potentiometer Assembly .....	1
20	96418	Toggle Switch - SPDT, 2 position, Momentary (turntable rotate) .....	1
—	27246	Boot - Rubber .....	—
21	96418	Toggle Switch - SPDT, 2 position, Momentary (platform level) .....	1
—	27246	Boot - Rubber .....	—
22	96418	Toggle Switch - SPDT, 2 position, Momentary (secondary boom up/down) .....	1
—	27246	Boot - Rubber .....	—
23	96418	Toggle Switch - SPDT, 2 position, Momentary (primary boom up/down) .....	1
—	27246	Boot - Rubber .....	—
24	96418	Toggle Switch - SPDT, 2 position, Momentary (jib boom up/down) .....	1
—	27246	Boot - Rubber .....	—
25	96418	Toggle Switch - SPDT, 2 position, Momentary (primary boom extend/retract) .....	1
—	27246	Boot - Rubber .....	—
26	66813	Push Button - Black with Seal (boom function enable) .....	1
—	66815	Base with 1 N.O Contact .....	—
—	66816	N.O. Contact .....	—
27	73753	Connector - Receptacle with Flange, 24 way .....	1
—	83130	Terminal Pin, 16-18 Gauge .....	—
28	45383	Alarm - Warble Tone, 5-30V DC .....	1
—	72326	Nut - Retainer .....	—
29	104493	Holder - Relay .....	1
30	56302	Relay - 24V DC (DC and Bi-fuel models) .....	2
—	34052	Relay - 12V DC (IC models) .....	—
31	104492	Bracket - Relay Mount .....	1

# Ground Controls

REV A





REV A

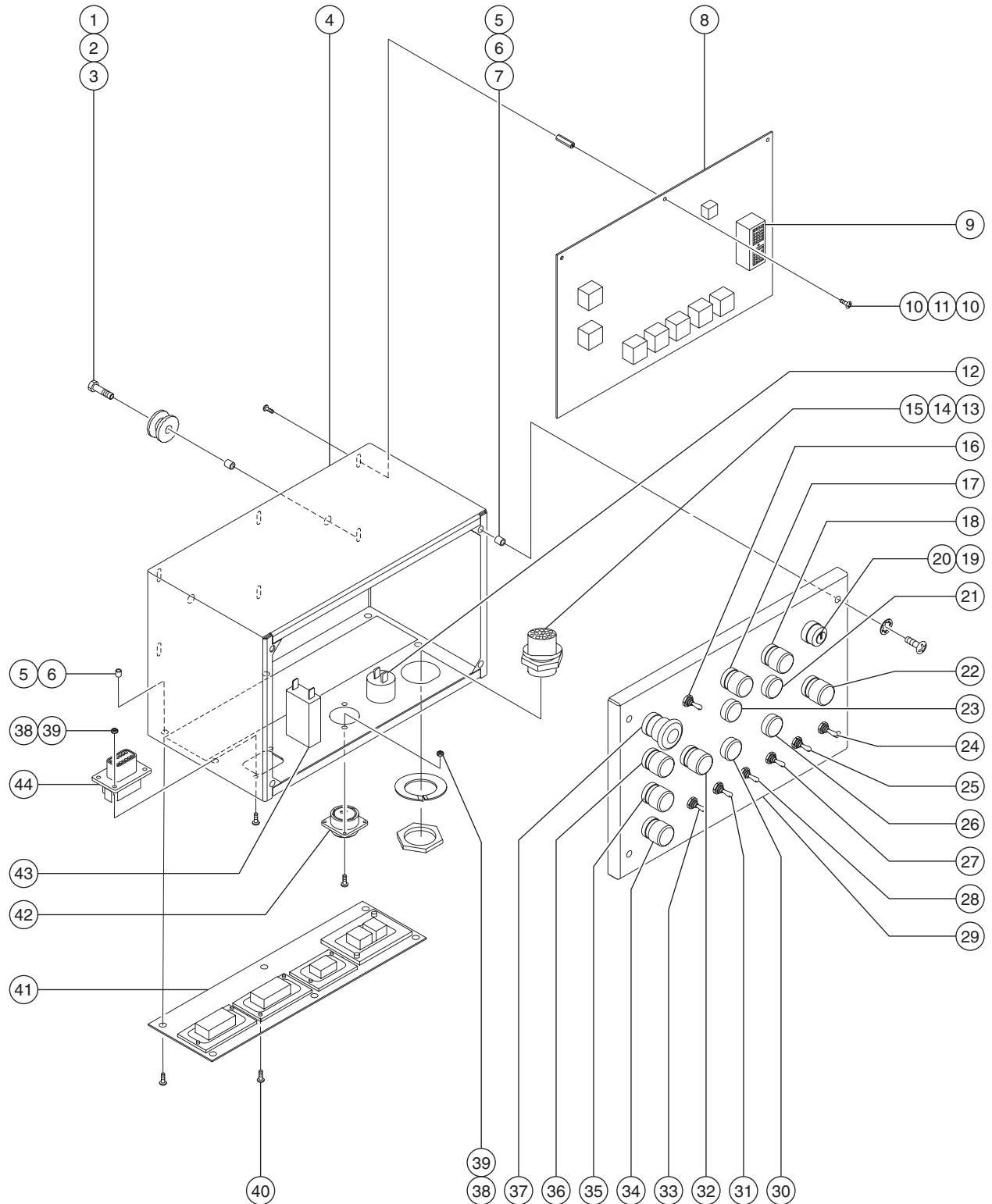
GROUND CONTROLS

Item	Part No.	Description	Quantity	This Figure
—	76673	Ground Control Box Assembly, IC - Complete .....	—	—
—	76671	Ground Control Box Assembly, DC - Complete .....	—	—
—	76640	Ground Control Box Assembly, Bi-Fuel - Complete .....	—	—
1	6888	Screw - HHC, 1/4 -20 x 1 inch, GR 5 .....	3	3
2	66866	Button - Joystick Mount .....	3	3
3	23404	Nutsert, 1/4 -20 .....	3	3
4	76631	Ground Control Box .....	1	1
5	23405	Nutsert, 10-32 .....	10	10
6	99207	Internal Star Washer, #10 .....	4	4
7	49819	Screw - PHPM, 10-32 x 0.5 inch, GR 2 .....	4	4
8	76632	Printed Circuit Board - CPU (DC & Bi-fuel models) .....	1	1
—	76633	Printed Circuit Board - CPU (IC models) .....	—	—
9	73751	Connector - Plug , 40 way .....	1	1
—	73714	Socket - Terminal, 16-18 Gauge .....	—	—
—	60757	Seal - Plug .....	—	—
10	21018	Screw - PHPM, 10-24 x 0.375 inch .....	12	12
11	33585	Coupling Nut, 10-24 x 0.75 inch .....	6	6
12	45383	Alarm - Warble Tone, 50-30V DC .....	1	1
—	72326	Retainer Nut .....	1	1
13	76638	Wire Harness Assembly - Drive .....	1	1
—	87748	Receptacle Connector, 14 way .....	—	—
—	83130	Terminal Pin, 16-18 Gauge .....	—	—
14	87751	Panel Washer - Shell, Size 18 .....	1	1
15	87750	Panel Nut - Plastic, Size 18 .....	1	1
16	13038	Toggle Switch - DPDT, 3 position (power connection) .....	1	1
—	27246	Boot - Rubber .....	—	—
17	66813	Push Button - Black with Seal (engine start) (IC and Bi-fuel models) .....	1	1
—	66815	Base with 1 N.O Contact .....	—	—
—	66816	N.O. Contact .....	—	—
—	15243	Plug - Nylon, Black Domed (DC models) .....	—	—

This list continues on the next page.

GROUND CONTROLS

REV A



TMZ-50/30

REV A

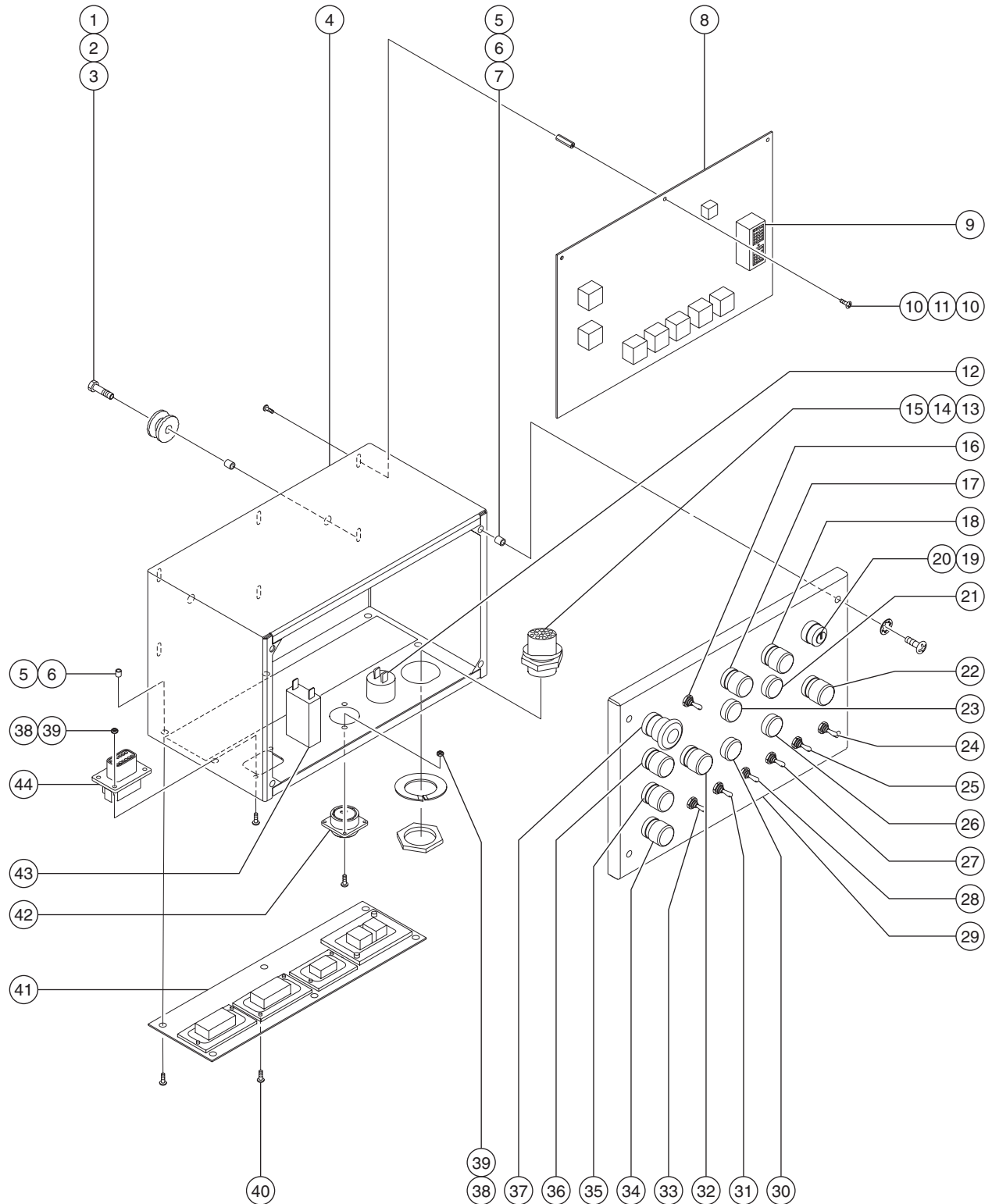
GROUND CONTROLS

Item	Part No.	Description	Quantity This Figure
18	66813	Push Button - Black with Seal (choke/preheat) (IC and Bi-fuel models) .....	1
—	66815	Base with 1 N.O Contact .....	—
—	66816	N.O. Contact .....	—
—	15243	Plug - Nylon, Black Domed (DC models) .....	—
19	96008	Key Switch, 3 Position (includes 1 pair of keys) .....	1
—	83093	Key (single) .....	—
—	37947	Key, Package of 10 .....	—
20	96009	Rubber Washer .....	—
21	104091	Push Button, Green (outrigger right/rear) .....	1
—	104092	Base with 1 N.O. Contact and Green LED .....	—
22	66813	Push Button - Black with Seal (horn) .....	1
—	66815	Base with 1 N.O Contact1 .....	—
—	66816	N.O. Contact .....	—
23	104091	Push Button, Green (outrigger right/front) .....	1
—	104092	Base with 1 N.O. Contact and Green LED .....	—
24	96418	Toggle Switch - SPDT, 2 position, Momentary (turntable rotate) .....	1
—	27246	Boot - Rubber .....	—
25	96418	Toggle Switch - SPDT, 2 position, Momentary (platform level) .....	1
—	27246	Boot - Rubber .....	—
26	104091	Push Button, Green (outrigger left/rear) .....	1
—	104092	Base with 1 N.O. Contact and Green LED .....	—
27	96418	Toggle Switch - SPDT, 2 position, Momentary (jib up/down) .....	1
—	27246	Boot - Rubber .....	—
28	96418	Toggle Switch - SPDT, 2 position, Momentary (secondary boom up/down) .....	1
—	27246	Boot - Rubber .....	—
29	76630	Ground Control Lid .....	1
30	104091	Push Button, Green (outrigger left/front) .....	1
—	104092	Base with 1 N.O. Contact and Green LED .....	—
31	96418	Toggle Switch - SPDT, 2 position, Momentary (primary boom up/down) .....	1
—	27246	Boot - Rubber .....	—
32	66813	Push Button - Black with Seal (auto-level) .....	1
—	66815	Base with 1 N.O Contact .....	—
—	66816	N.O. Contact .....	—

This list continues on the next page.

GROUND CONTROLS

REV A



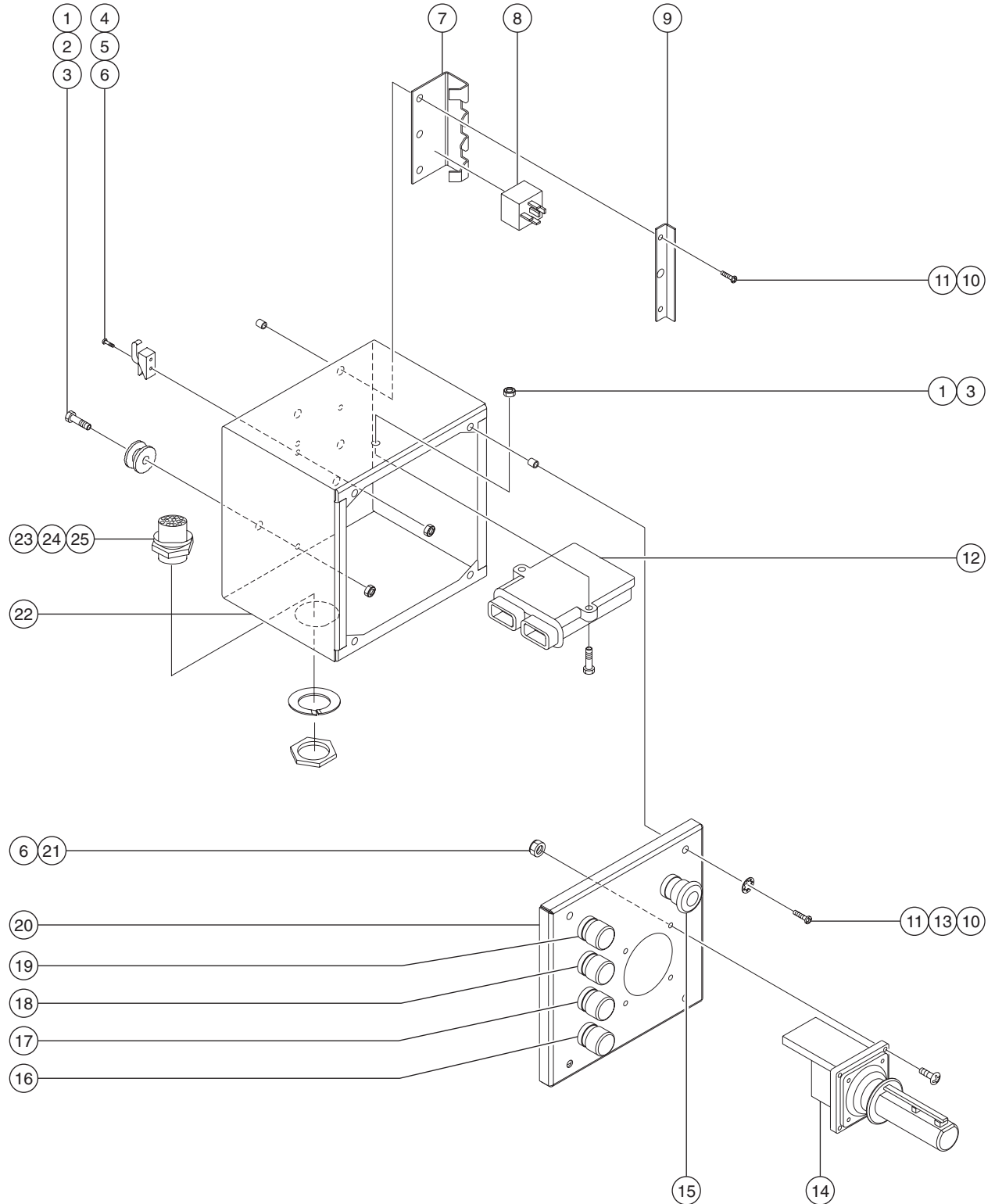
REV A

GROUND CONTROLS

Item	Part No.	Description	Quantity This Figure
33	96418	Toggle Switch - SPDT, 2 position, Momentary (primary boom extend/retract) .....	1
—	27246	Boot - Rubber .....	—
34	66813	Push Button - Black with Seal (outrigger enable) .....	1
—	66815	Base with 1 N.O Contact .....	—
—	66816	N.O. Contact .....	—
35	66813	Push Button - Black with Seal (outrigger extend) .....	1
—	66815	Base with 1 N.O Contact .....	—
—	66816	N.O. Contact .....	—
36	66813	Push Button - Black with Seal (outrigger retract) .....	1
—	66815	Base with 1 N.O Contact .....	—
—	66816	N.O. Contact .....	—
37	66812	Push Button - Red Mushroom Head .....	1
—	66817	Base with 1 N.C. Contact .....	—
—	66818	N.C. Contact .....	—
38	12344	Nylock Nut, 6-32 .....	2
39	49820	Screw - PHPM, 6-32 x 0.5 inch, GR 2 .....	2
40	55306	Screw - PHM, 4-40 x 0.5 inch, GR 2 .....	6
41	76629	PCB Mount .....	1
42	76637	Wire Harness Assembly - Power .....	1
—	104874	Receptacle Connector, 3 Position, Flanged .....	—
—	104875	Terminal Pin, 12-14 Gauge .....	—
43	38020	Circuit Breaker, 15 A, 220V AC .....	1
44	76636	Wire Harness Assembly - Auto-level .....	1
—	87755	Receptacle Connector, 8 way, Flanged, 14-18 Gauge .....	—
—	60447	Receptacle Lock, 12 way, 14-18 Gauge .....	—
—	83130	Terminal Pin, 16-18 Gauge .....	—

# Drive Controls, View 1

REV A



REV A

DRIVE CONTROLS, VIEW 1

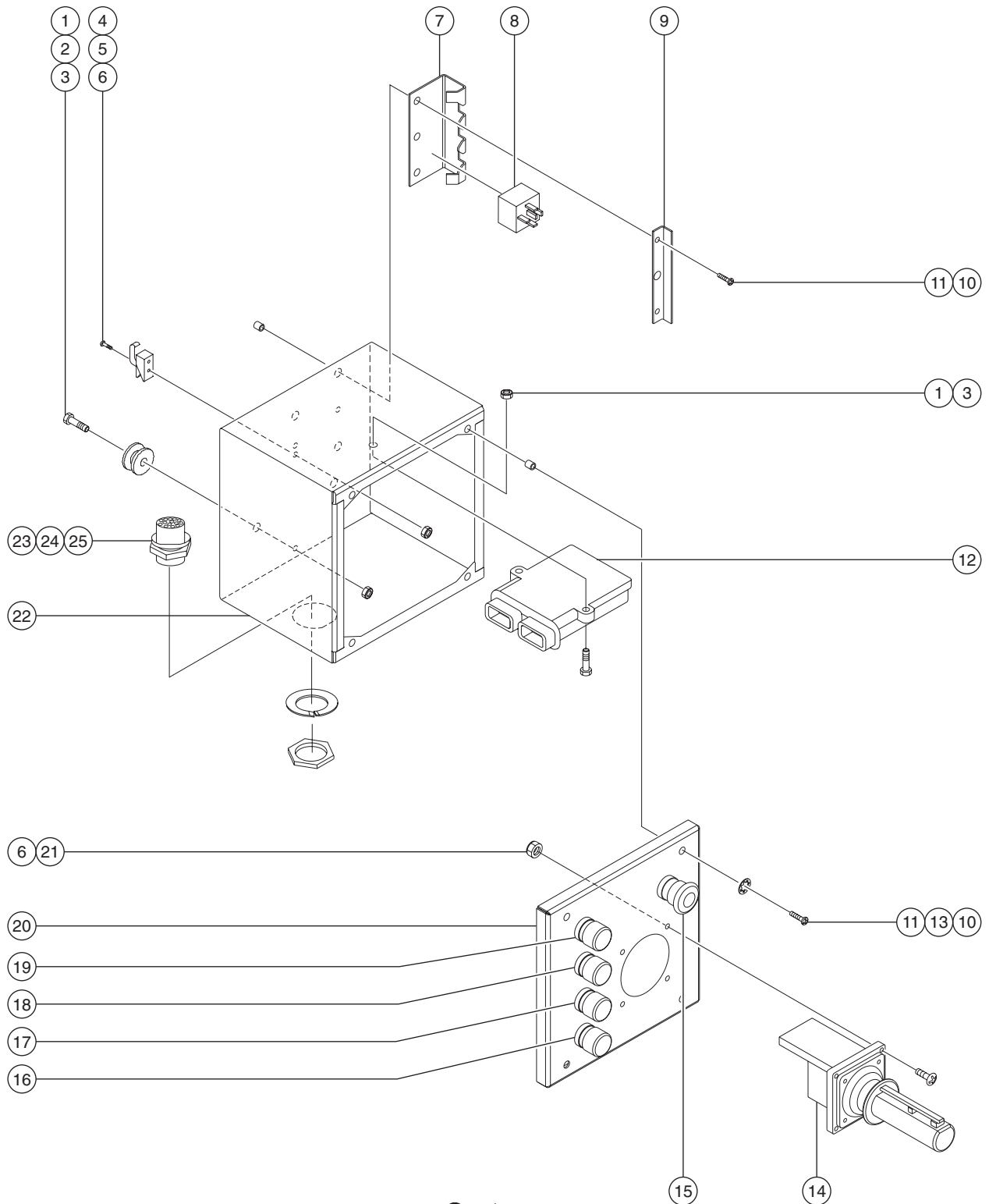
Item	Part No.	Description	Quantity	This Figure
—	76675	Drive Control Box Assembly, IC - Complete .....	—	—
—	76656	Drive Control Box Assembly, DC and Bi-Fuel - Complete .....	—	—
—	13083	Diode, 2A .....	—	—
—	99195	Resistor, 5.6 ohms, 2 Watt .....	—	—
1	6888	Screw - HHC, 1/4 -20 x 1 inch, GR 5 .....	5	
2	66866	Button - Joystick Mount .....	3	
3	6889	Low Profile Nylock Nut, 1/4 -20 .....	5	
4	49820	Screw - PHPM, 6-32 x 0.5 inch, GR 2 .....	1	
5	47218	Draw Latch - Over Center (includes keeper and latch) .....	1	
—	62819	Keeper - Over Center Latch .....	—	—
6	12344	Nylock Nut, 6-32 .....	5	
7	76657	Holder - Relay .....	1	
8	56302	Relay - 24V DC (DC and Bi-fuel models) .....	3	
—	34052	Relay - 12V DC (IC models) .....	2	
9	76658	Bracket - Relay Mount .....	1	
10	49819	Screw - PHPM, 10-32 x 0.5 inch, GR 2 .....	7	
11	23405	Nutsert, 10-32.....	7	
12	76646	Dual Pulse Width Modulation Controller .....	1	
13	99207	Internal Star Washer, #10.....	4	
14	76654	Joystick - Dual Axis .....	1	
15	66812	Push Button - Red Mushroom Head .....	1	
—	66817	Base with 1 N.C. Contact .....	—	—
—	66818	N.C. Contact .....	—	—
16	66813	Push Button - Black with Seal (horn) .....	1	
—	66815	Base with 1 N.O Contacts .....	—	—
—	66816	N.O. Contact .....	—	—
17	66813	Push Button - Black with Seal (outrigger extend) .....	1	
—	66814	Base with 2 N.O Contacts .....	—	—
—	66816	N.O. Contact .....	—	—
18	66813	Push Button - Black with Seal (auto-level) .....	1	
—	66815	Base with 1 N.O Contact .....	—	—
—	66816	N.O. Contact .....	—	—

This list continues on the next page.



DRIVE CONTROLS, VIEW 1

REV A





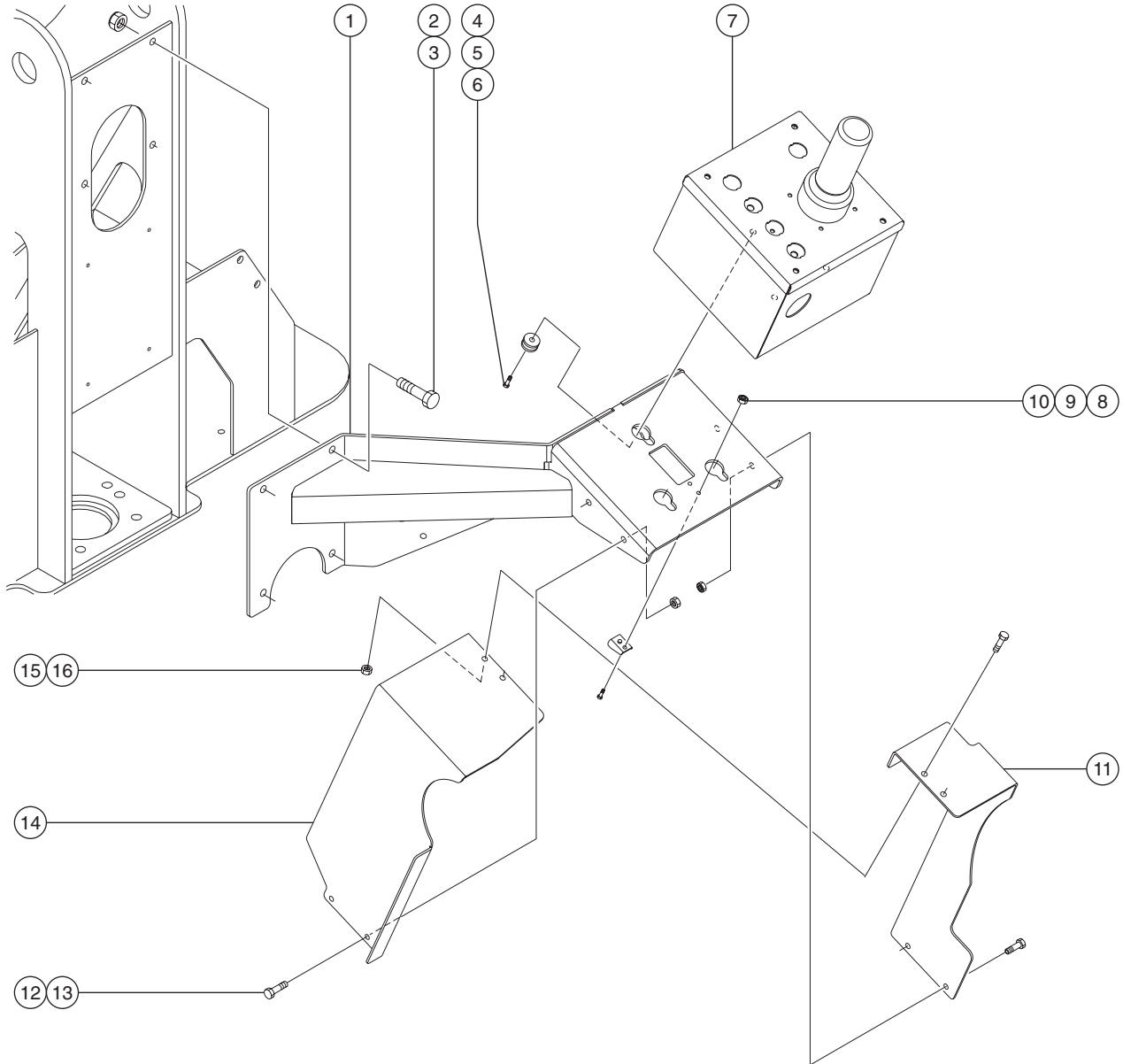
REV A

DRIVE CONTROLS, VIEW 1

Item	Part No.	Description	Quantity This Figure
19	66813	Push Button - Black with Seal (outrigger retract) .....	1
—	66814	Base with 2 N.O Contacts .....	—
—	66816	N.O. Contact .....	—
20	76652	Drive Controls Box Lid .....	1
21	7127	Screw - PHPM, 6-32 x 0.75 inch .....	4
22	76653	Drive Controls Box .....	1
23	87748	Receptacle Connector, 14 way .....	1
—	83130	Terminal Pin, 16-18 Gauge .....	—
24	87751	Panel Washer - Shell, Size 18 .....	1
25	87750	Panel Nut - Plastic, Size 18 .....	1

# Drive Controls, View 2

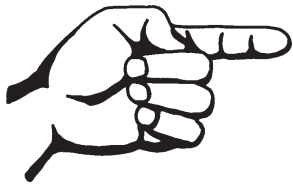
REV A



REV A

DRIVE CONTROLS, VIEW 2

Item	Part No.	Description	Quantity	This Figure
—	109828	Drive Mount Arm Kit .....	—	—
1	109822	Mount - Drive Control .....	1	1
2	94434	Screw - HHC, $\frac{3}{8}$ -16 x 1.25 inches .....	4	4
3	4828	Nut - Nylock, $\frac{3}{8}$ -16 .....	4	4
4	6888	Screw - HHC, $\frac{1}{4}$ -20 x 1 inch, GR 5 .....	3	3
5	66866	Button - Joystick Mount .....	3	3
6	6889	Low Profile Nylock Nut, $\frac{1}{4}$ -20 .....	3	3
7	Ref.	Drive Control Box (refer to Drive Controls, View 1) .....	—	—
8	18605	Nut - Nylock, 8-32 .....	2	2
9	47218	Draw Latch - Over Center (includes keeper and latch) .....	1	1
—	62819	Keeper - Over Center Latch .....	—	—
10	55906	Screw - PHPM, 8-32 x 0.5 inch, GR 2 .....	2	2
11	109855	Drive Guard, Right .....	1	1
12	6090	Screw - PHPM, $\frac{1}{4}$ -20 x 0.75 inch, GR 5 .....	6	6
13	6091	Nut - Nylock, $\frac{1}{4}$ -20 .....	6	6
14	109823	Drive Guard, Left .....	1	1
15	6889	Nut - Low Profile Nylock, $\frac{1}{4}$ -20 .....	2	2
16	7339	Screw - HHC, $\frac{1}{4}$ -20 x 0.5 inch, GR 5 .....	2	2



This page intentionally left blank.

# Schematics



## Observe and Obey:

- ☑ Troubleshooting and repair procedures shall be completed by a person trained and qualified on the repair of this machine.
- ☑ Immediately tag and remove from service a damaged or malfunctioning machine.
- ☑ Repair any machine damage or malfunction before operating the machine.

## Before Troubleshooting:

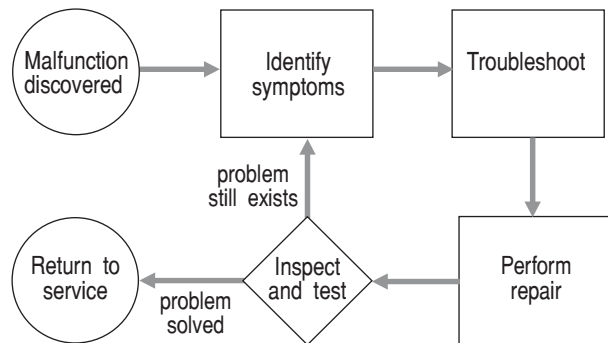
- ☑ Read, understand and obey the safety rules and operating instructions in the appropriate operator's manual on your machine.
- ☑ Be sure that all necessary tools and test equipment are available and ready for use.

## About This Section

### Electrical Schematics

**⚠WARNING** Electrocution hazard. Contact with electrically charged circuits could result in death or serious injury. Remove all rings, watches and other jewelry.

### General Repair Process

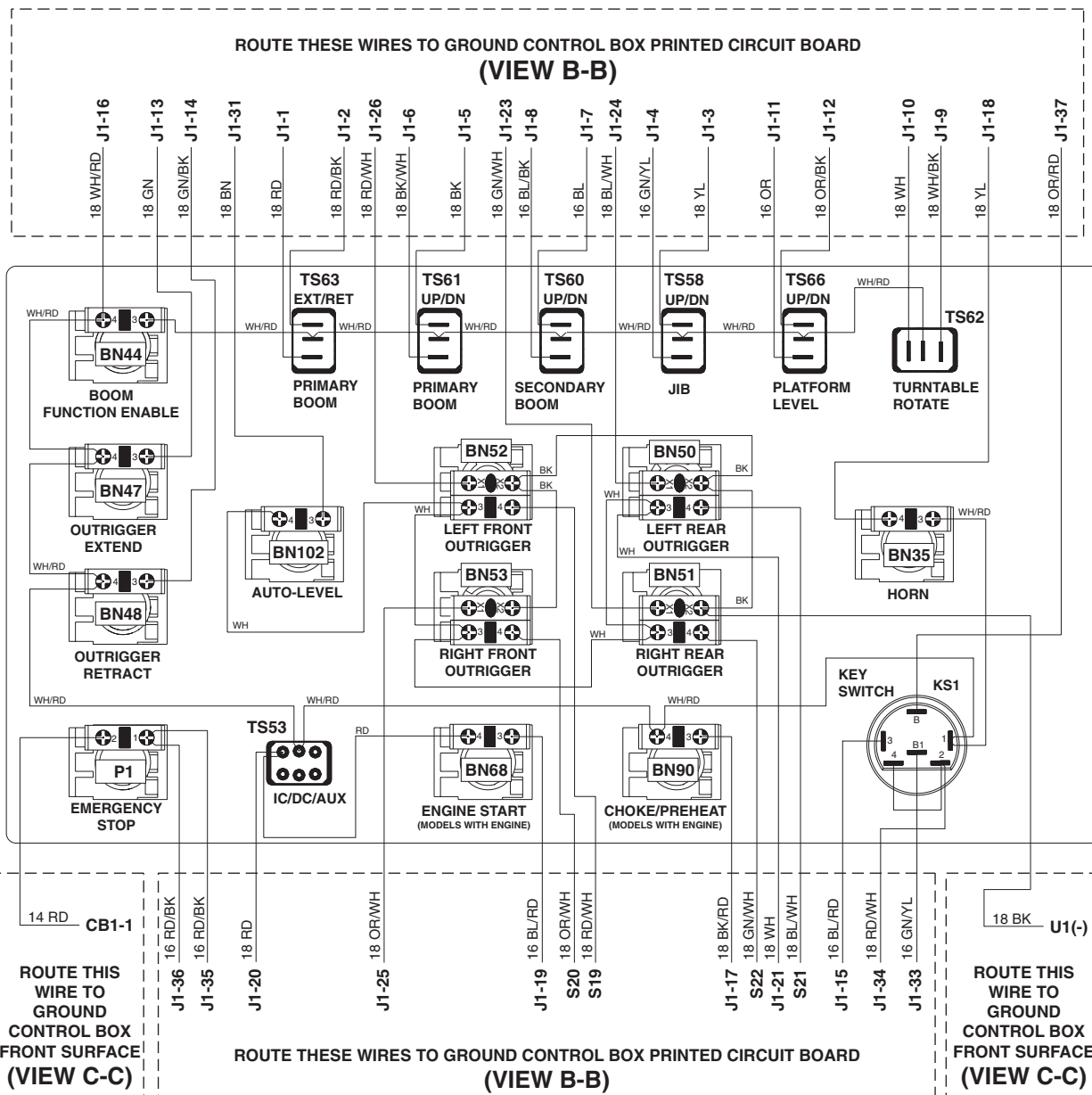
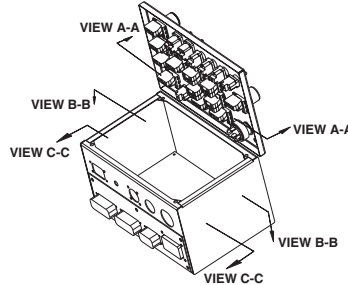


# Wiring Diagram - Ground Controls, View A-A

REV A

## GROUND CONTROL BOX VIEW A-A (INSIDE LID SURFACE)

# VIEW A-A

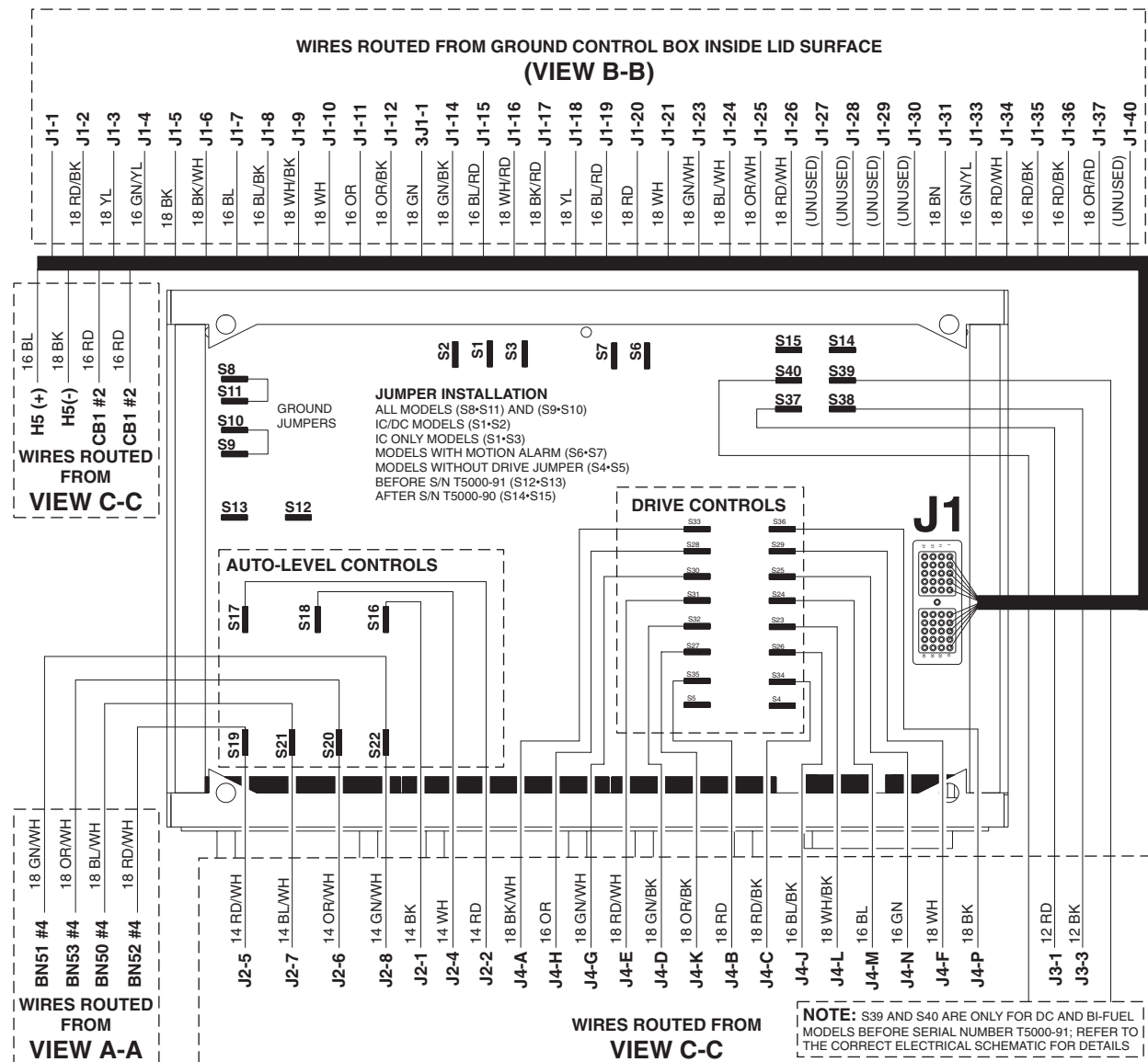
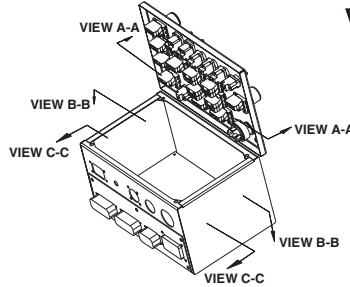


REV A

# Wiring Diagram - Ground Controls, View B-B

## GROUND CONTROL BOX VIEW B-B (INSIDE BOX ASSEMBLY)

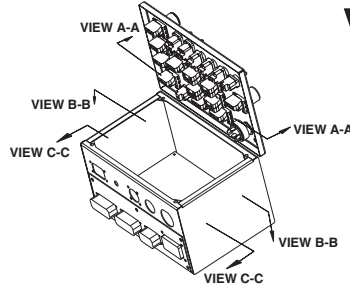
# VIEW B-B



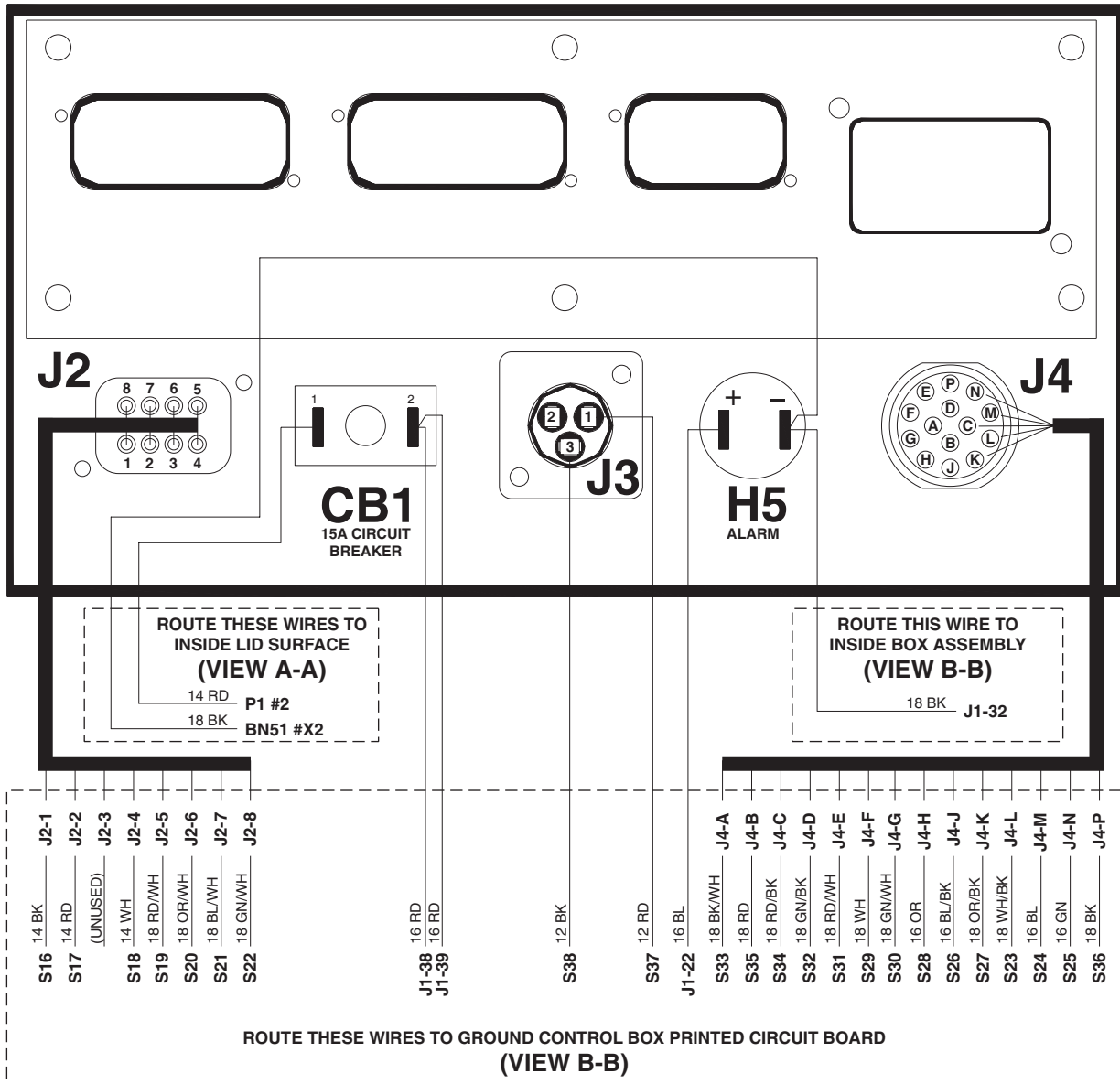
# Wiring Diagram - Ground Controls, View C-C

REV A

**GROUND CONTROL BOX  
VIEW C-C  
(FRONT INSIDE SURFACE)**



# VIEW C-C

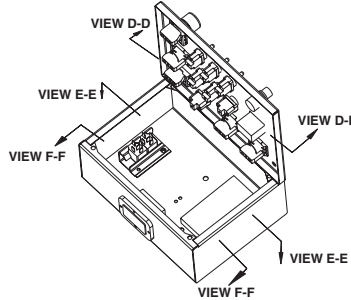




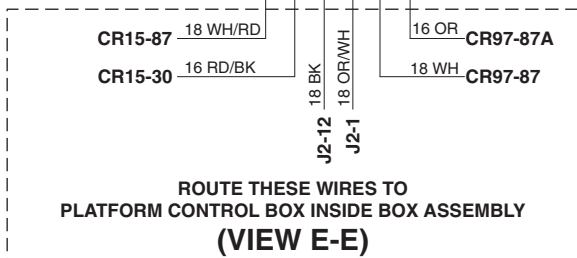
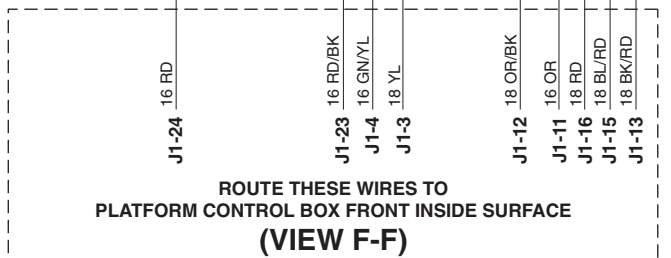
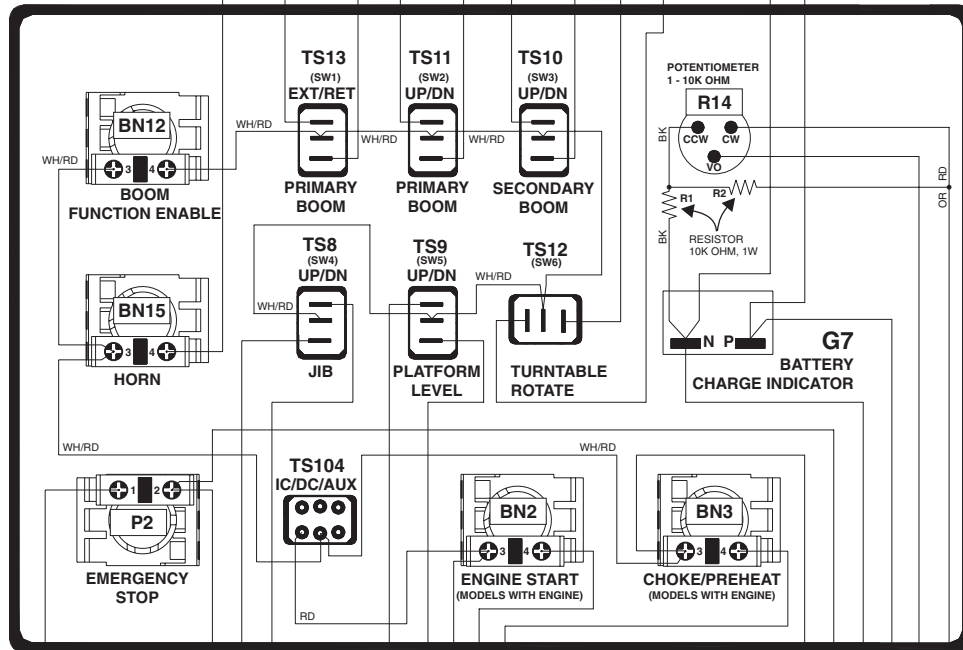
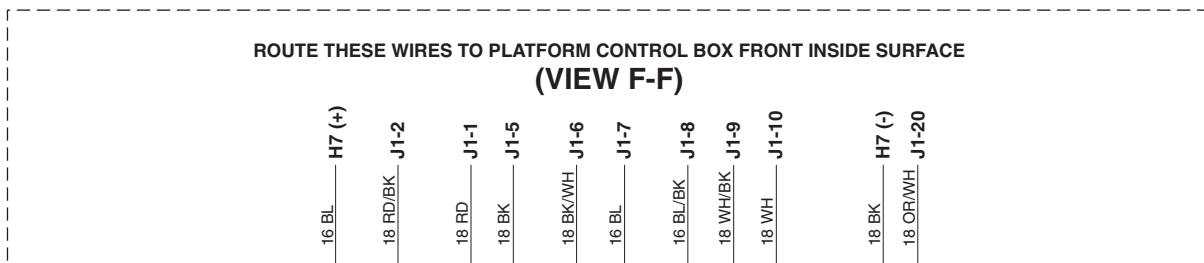
REV A

# Wiring Diagram - Platform Controls, View D-D

## PLATFORM CONTROL BOX VIEW D-D (INSIDE LID SURFACE)



# VIEW D-D

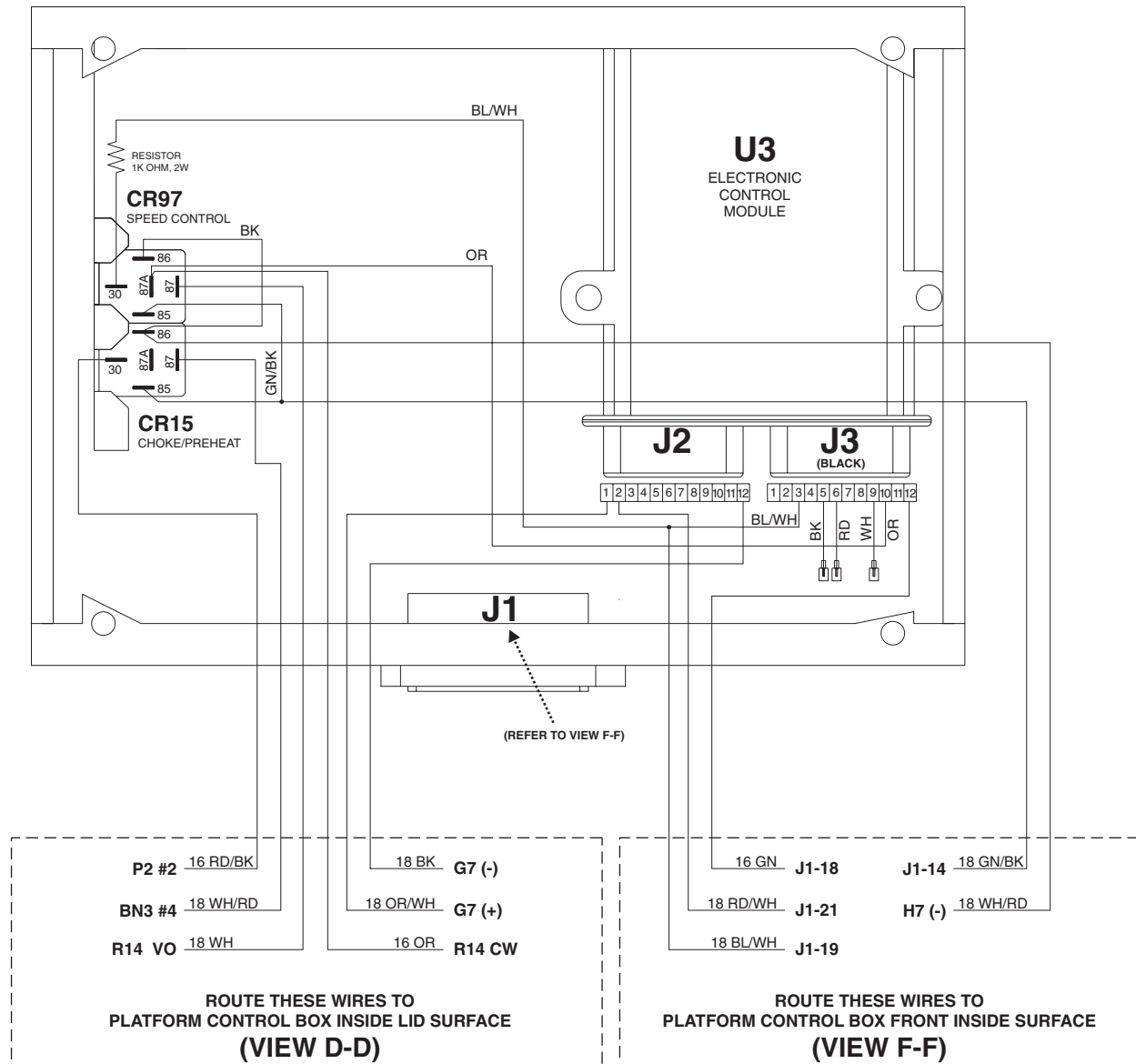
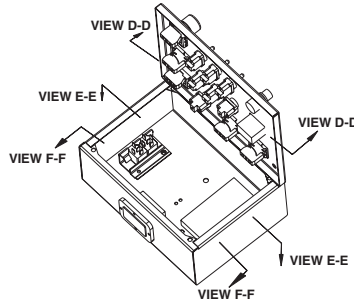


# Wiring Diagram - Platform Controls, View E-E

REV A

## PLATFORM CONTROL BOX VIEW E-E (INSIDE BOX ASSEMBLY)

# VIEW E-E

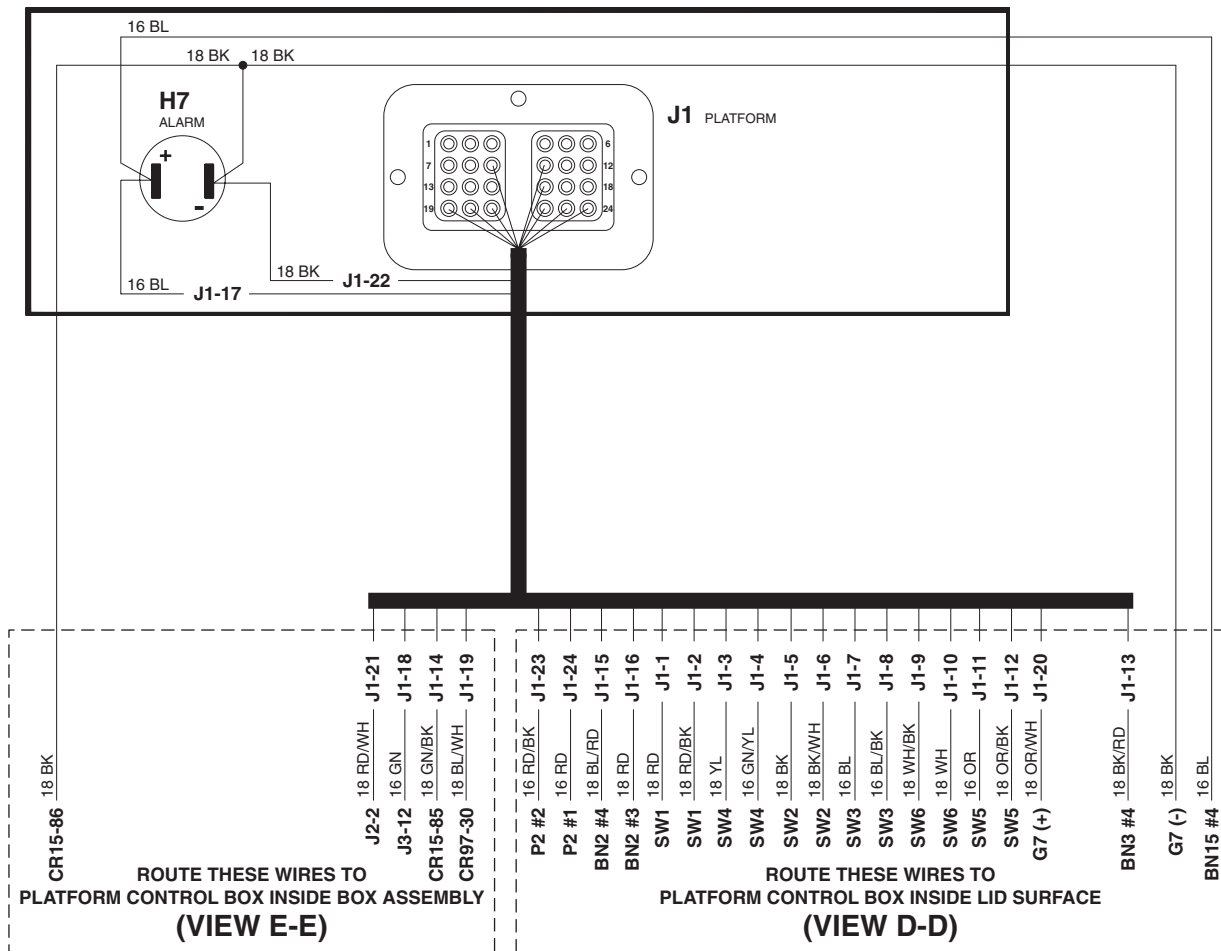
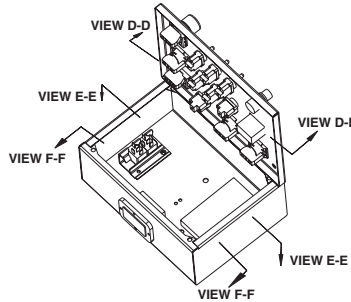


REV A

# Wiring Diagram - Platform Controls, View F-F

## PLATFORM CONTROL BOX VIEW F-F (FRONT INSIDE SURFACE)

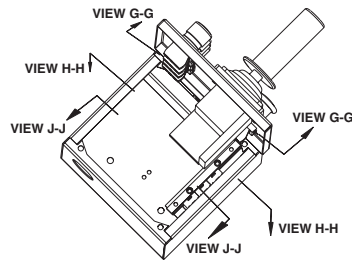
# VIEW F-F



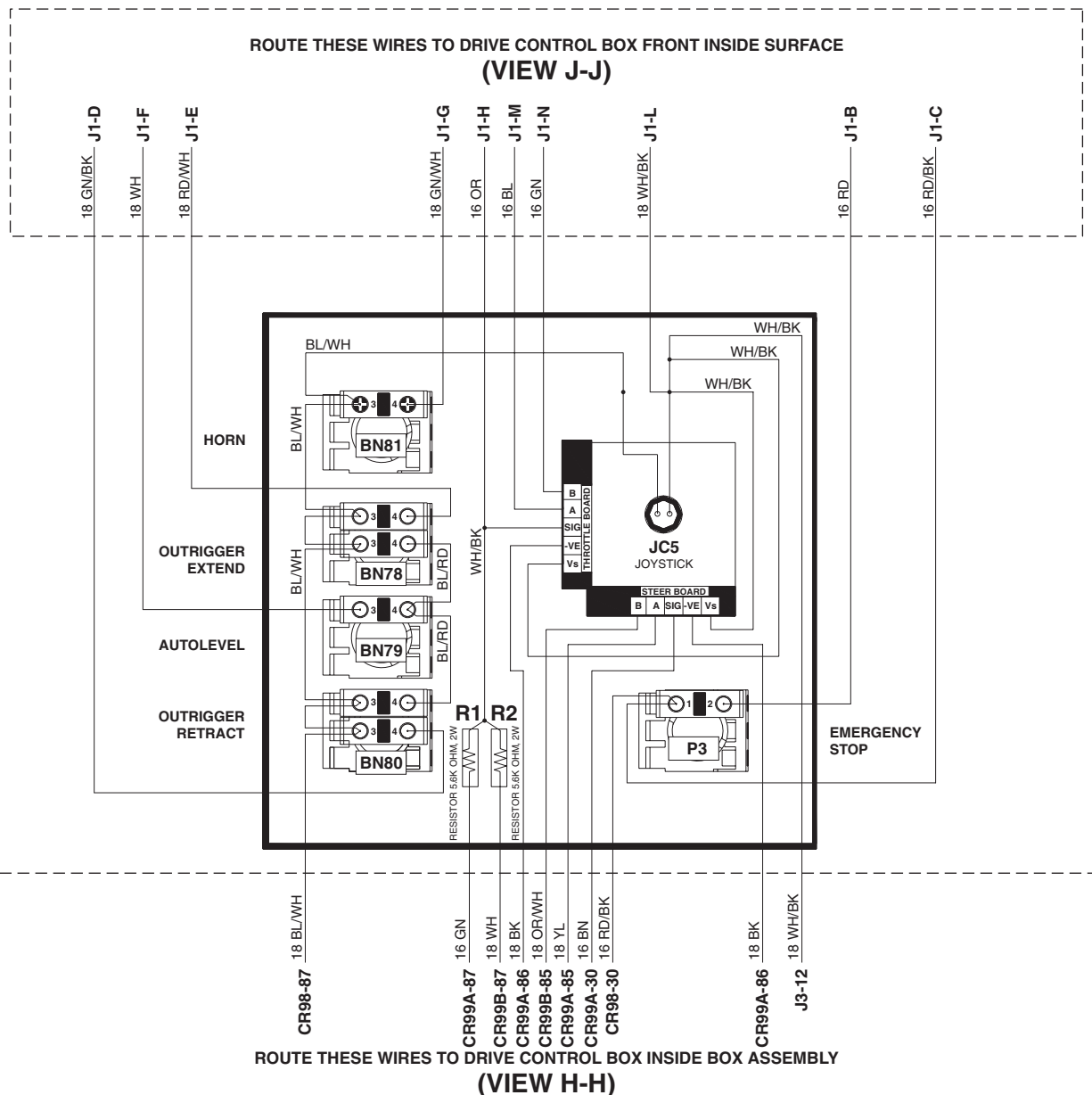
# Wiring Diagram - Drive Controls, View G-G

REV A

**DRIVE CONTROL BOX  
VIEW G-G  
(INSIDE LID SURFACE)**



# VIEW G-G

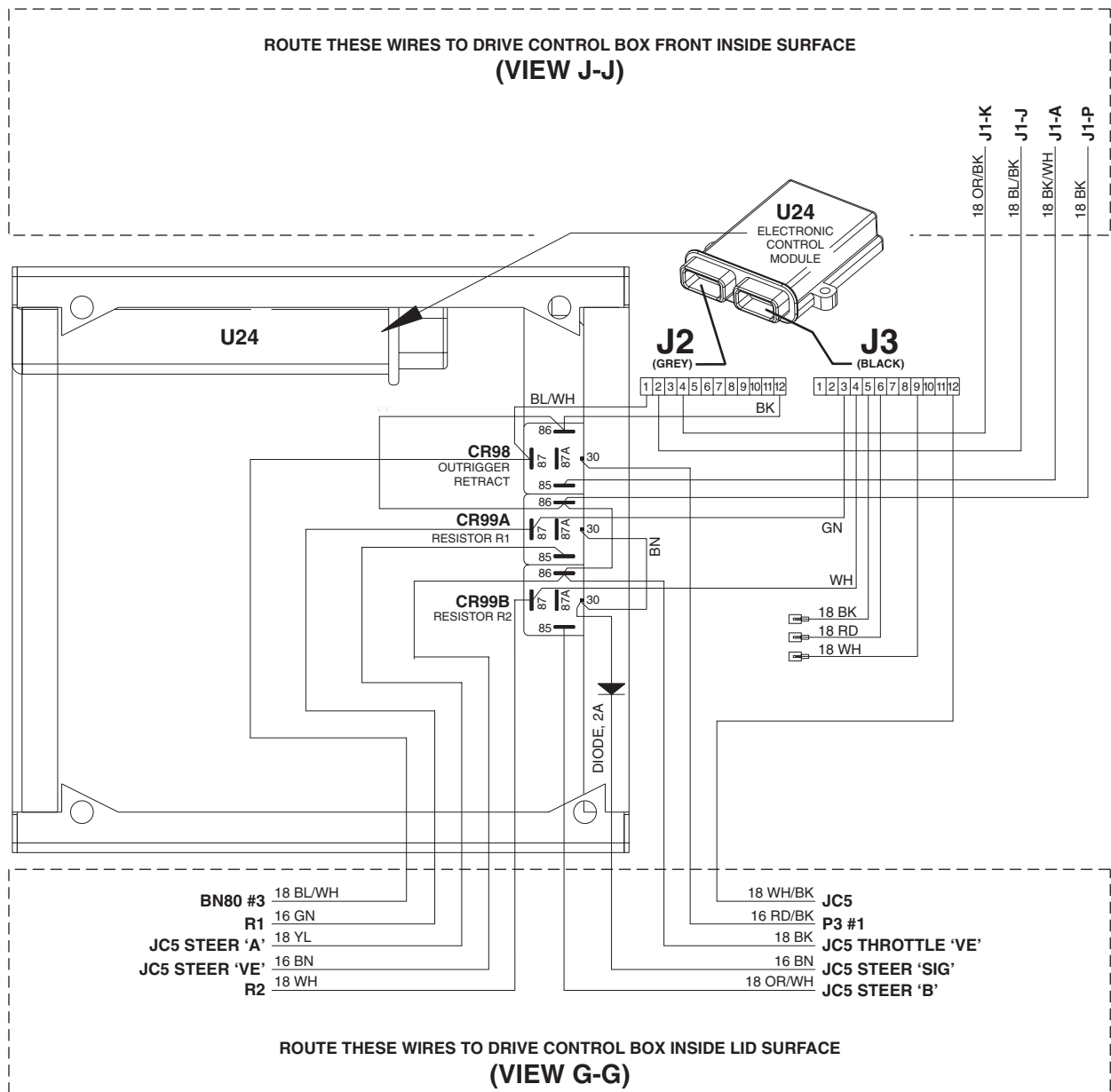
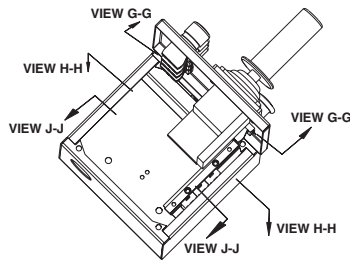


REV A

# Wiring Diagram - Drive Controls, View H-H

## DRIVE CONTROL BOX VIEW H-H (INSIDE BOX ASSEMBLY)

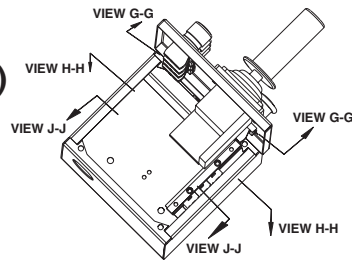
# VIEW H-H



# Wiring Diagram - Drive Controls, View J-J

REV A

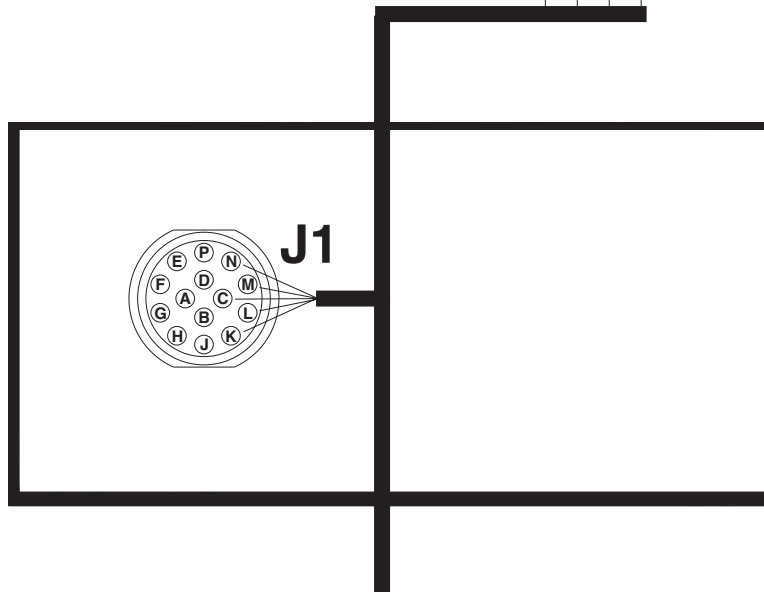
**DRIVE CONTROL BOX  
VIEW J-J  
(FRONT INSIDE SURFACE)**



# VIEW J-J

ROUTE THESE WIRES TO DRIVE CONTROL BOX INSIDE BOX ASSEMBLY  
(VIEW H-H)

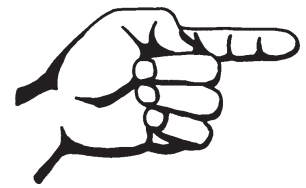
ECM J2-2	16 BL/BK	J1-J	
ECM J2-3	18 OR/BK	J1-K	
CR98-85	18 BK/WH	J1-A	
CR99B-86	18 BK	J1-P	



P3 #2	16 RD	J1-B	J1-G	18 GN/WH	BN81 #4
P3 #1	16 RD/BK	J1-C	J1-H	16 OR	JC5 THROTTLE 'SIG'
BN80 #4	18 GN/BK	J1-D	J1-L	18 WH/BK	JC5
BN78 #4	18 RD/WH	J1-E	J1-M	16 BL	JC5 THROTTLE 'A'
BN79 #3	18 WH	J1-F	J1-N	16 GN	JC5 THROTTLE 'B'

ROUTE THESE WIRES TO DRIVE CONTROL BOX INSIDE LID SURFACE  
(VIEW G-G)



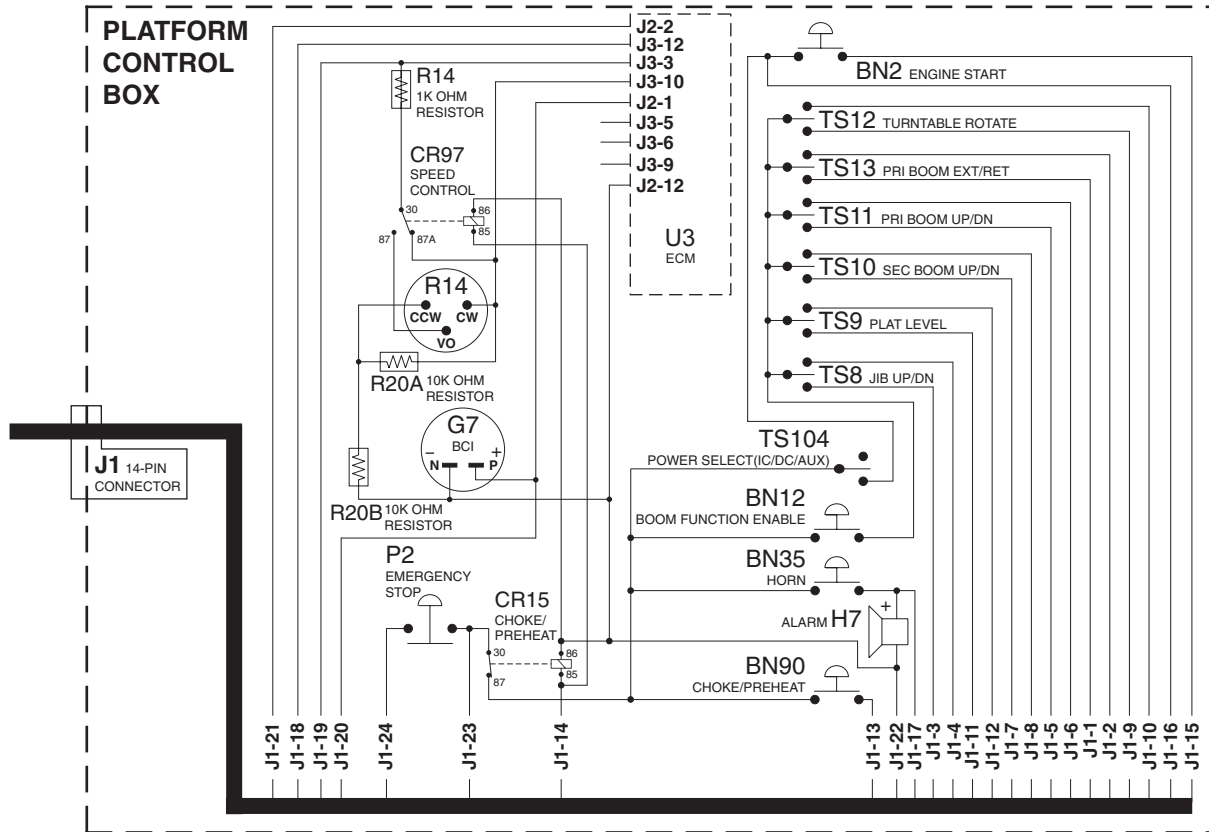


This page intentionally left blank.

# Electrical Schematic - Platform Controls

REV A

(all models)

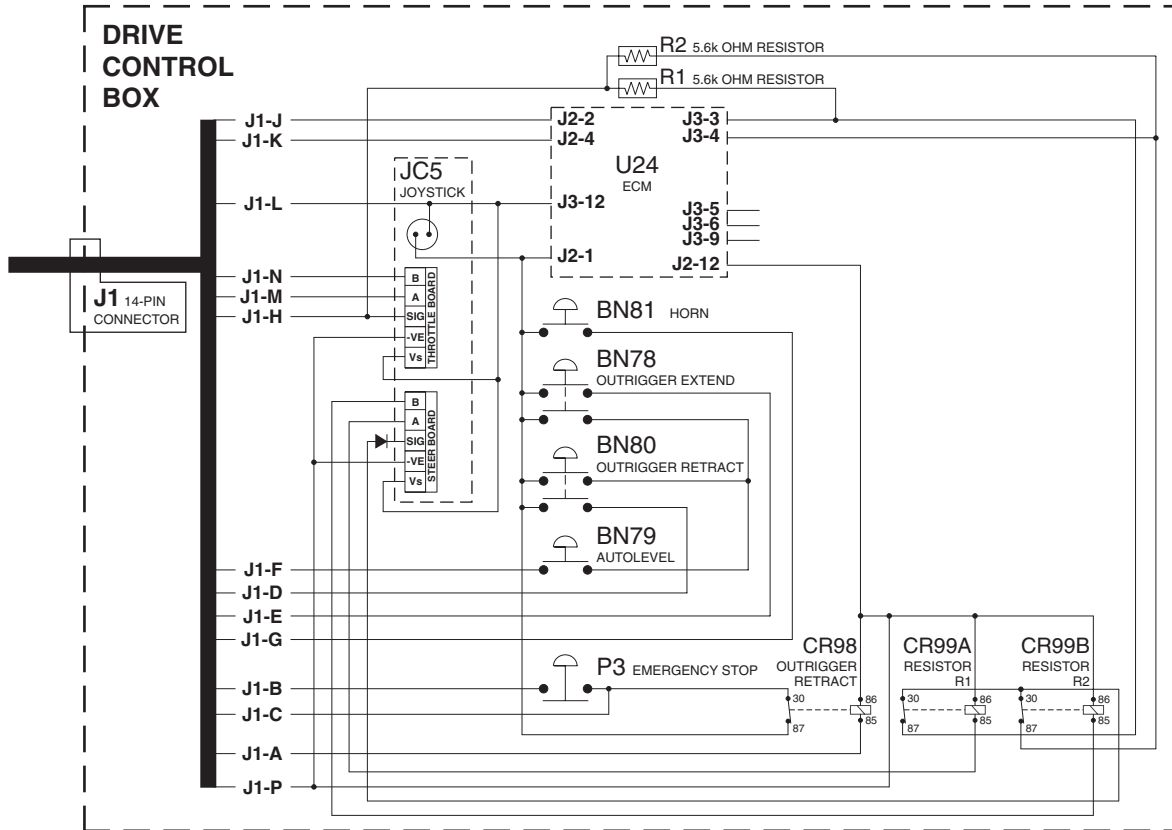




REV A

# Electrical Schematic - Drive Controls

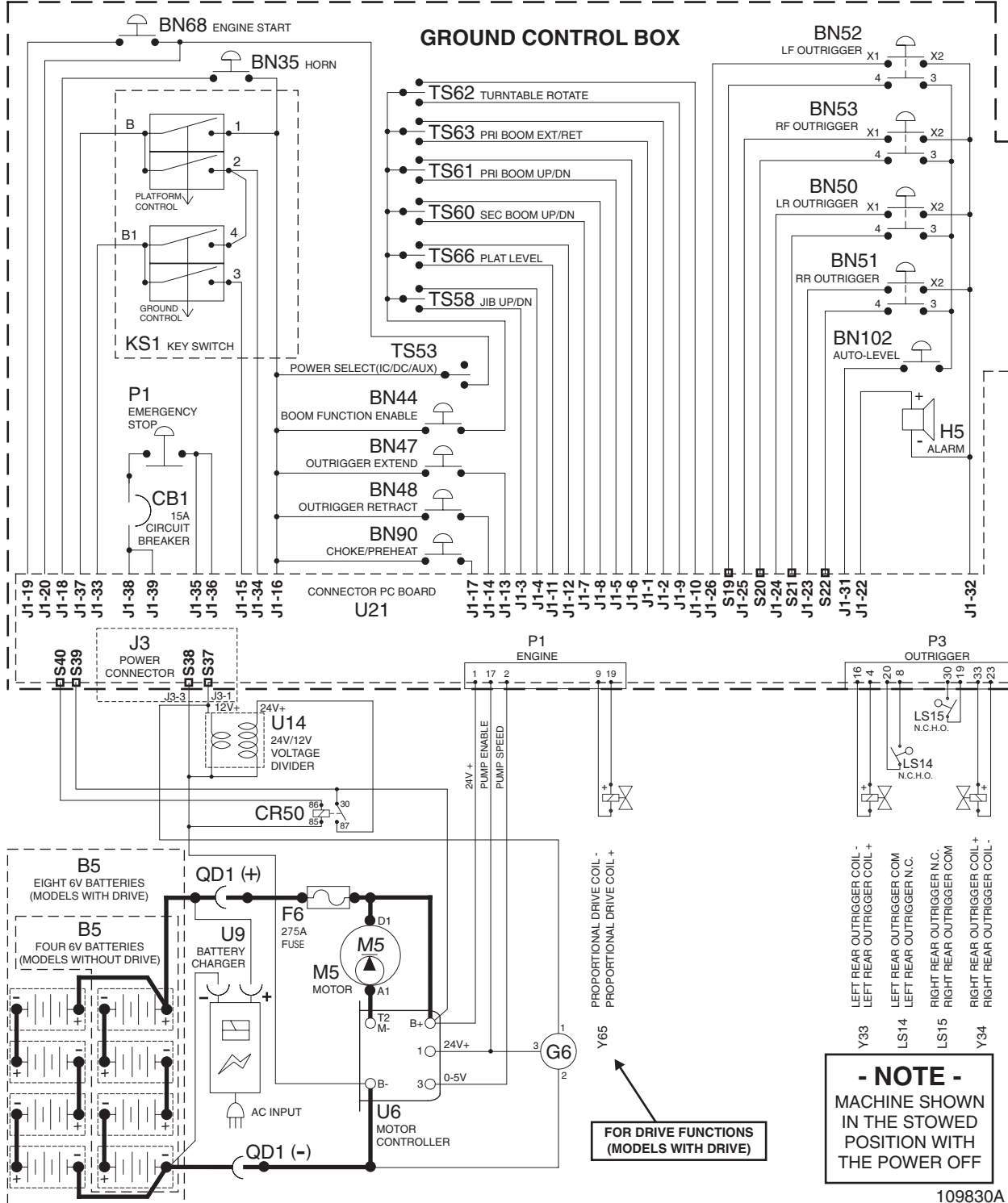
(all models)



# Electrical Schematic

DC Models  
(before serial number T5000-91)  
Part 1 of 2

REV A



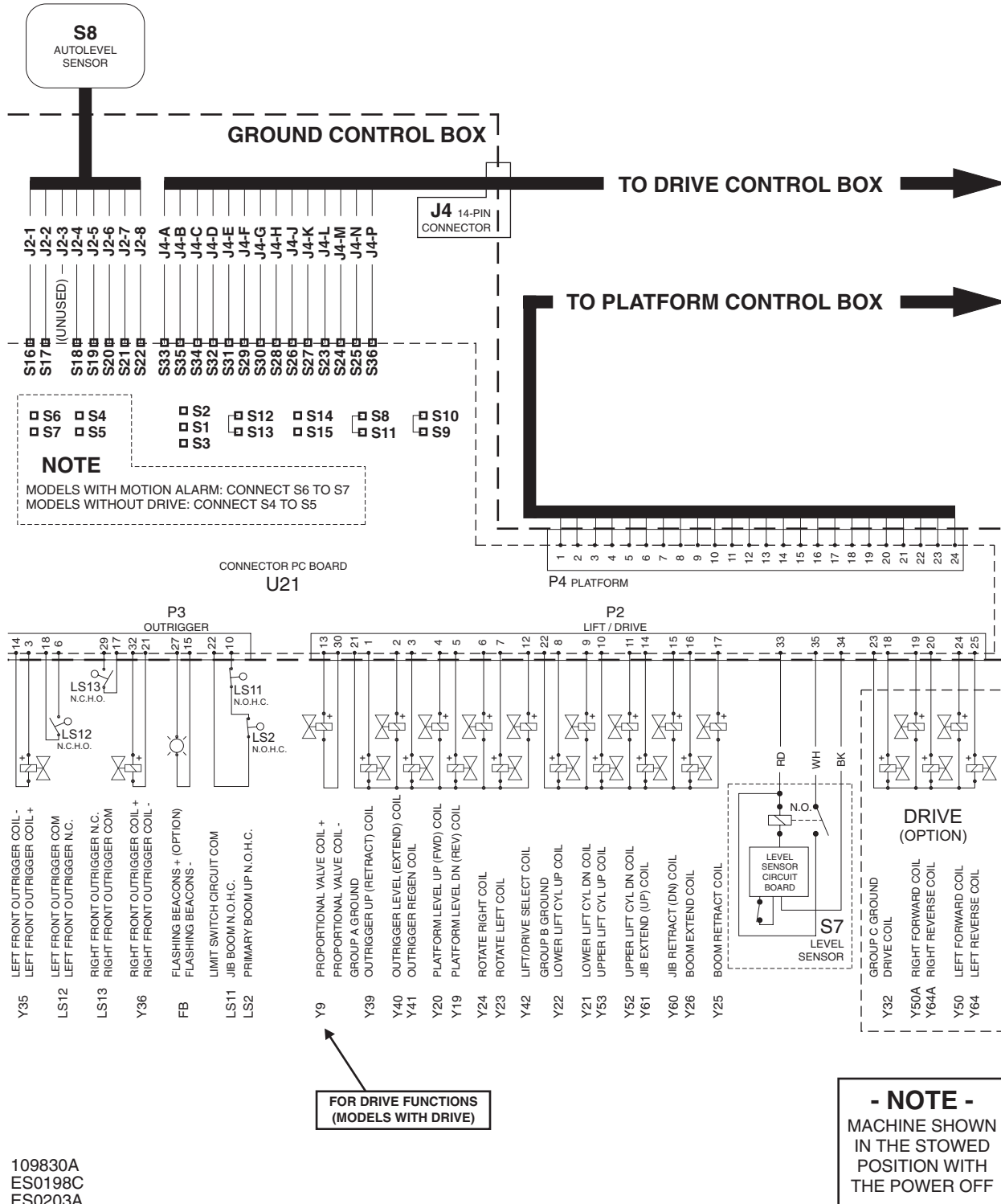
109830A  
ES0198C  
ES0203A



# Electrical Schematic

REV A

DC Models  
(before serial number T5000-91)  
Part 2 of 2



109830A  
ES0198C  
ES0203A



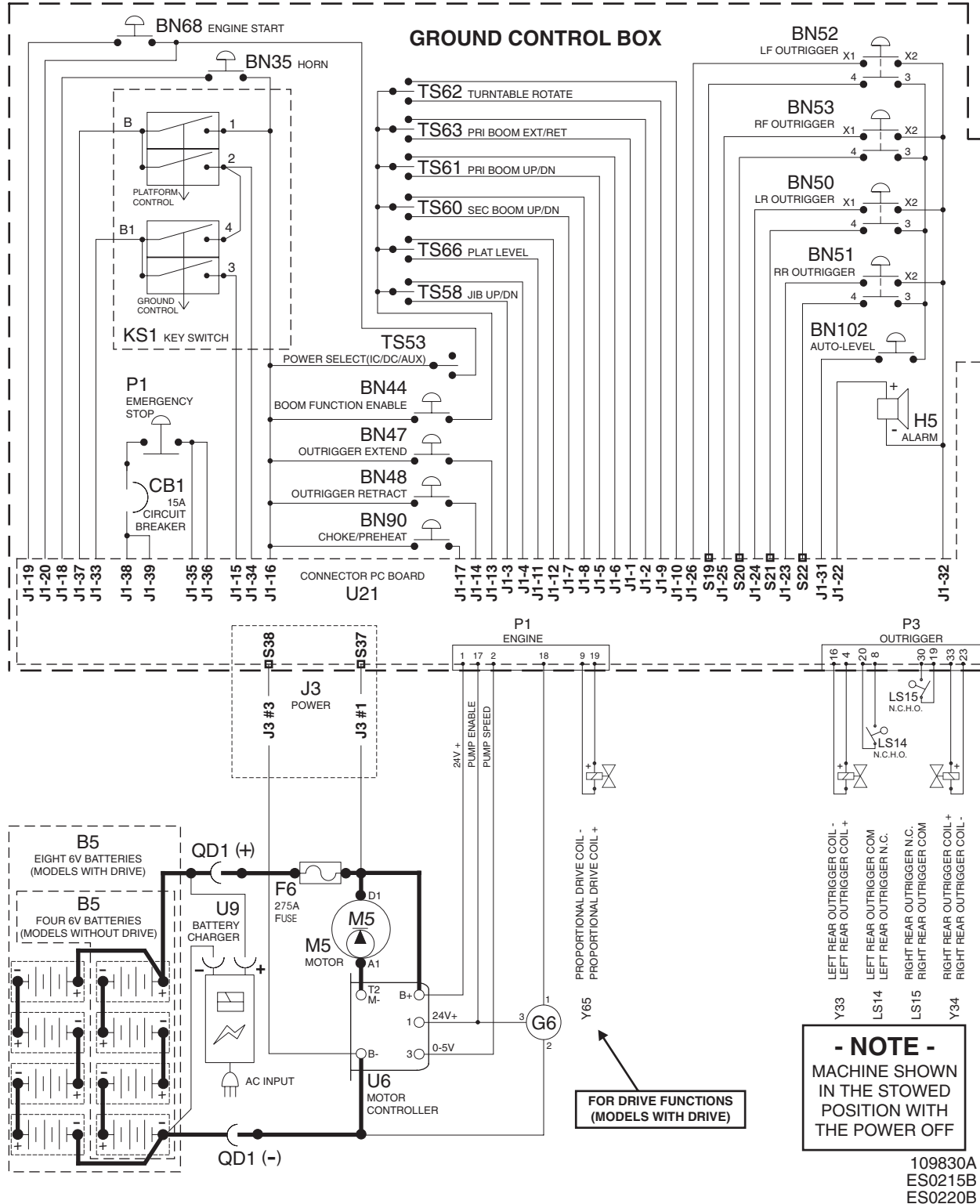
# Electrical Schematic

DC Models

REV A

(from serial number T5000-91 to T5002-24)

Part 1 of 2



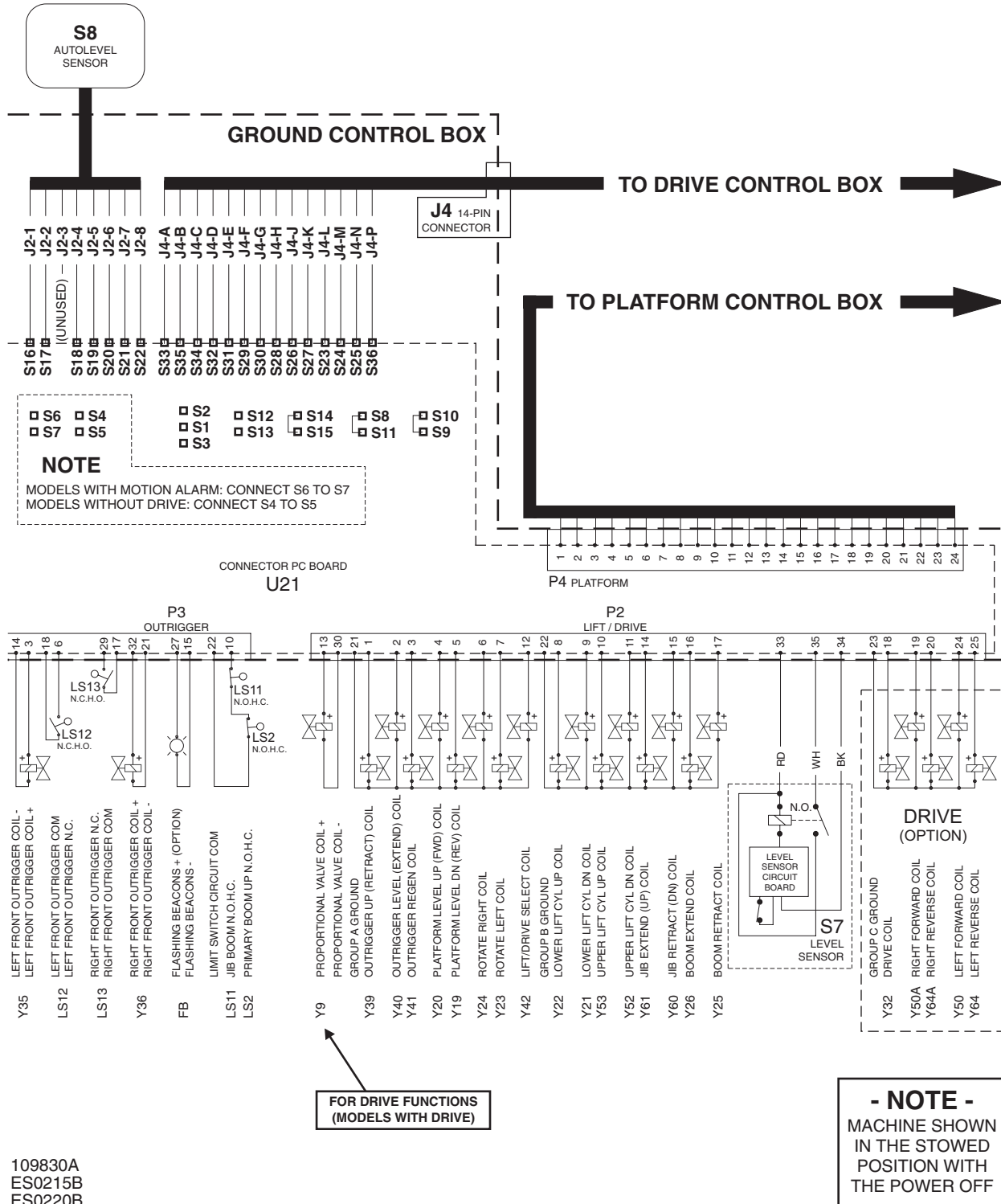
# Electrical Schematic

REV A

DC Models

(from serial number T5000-91 to T5002-24)

Part 2 of 2



109830A  
ES0215B  
ES0220B



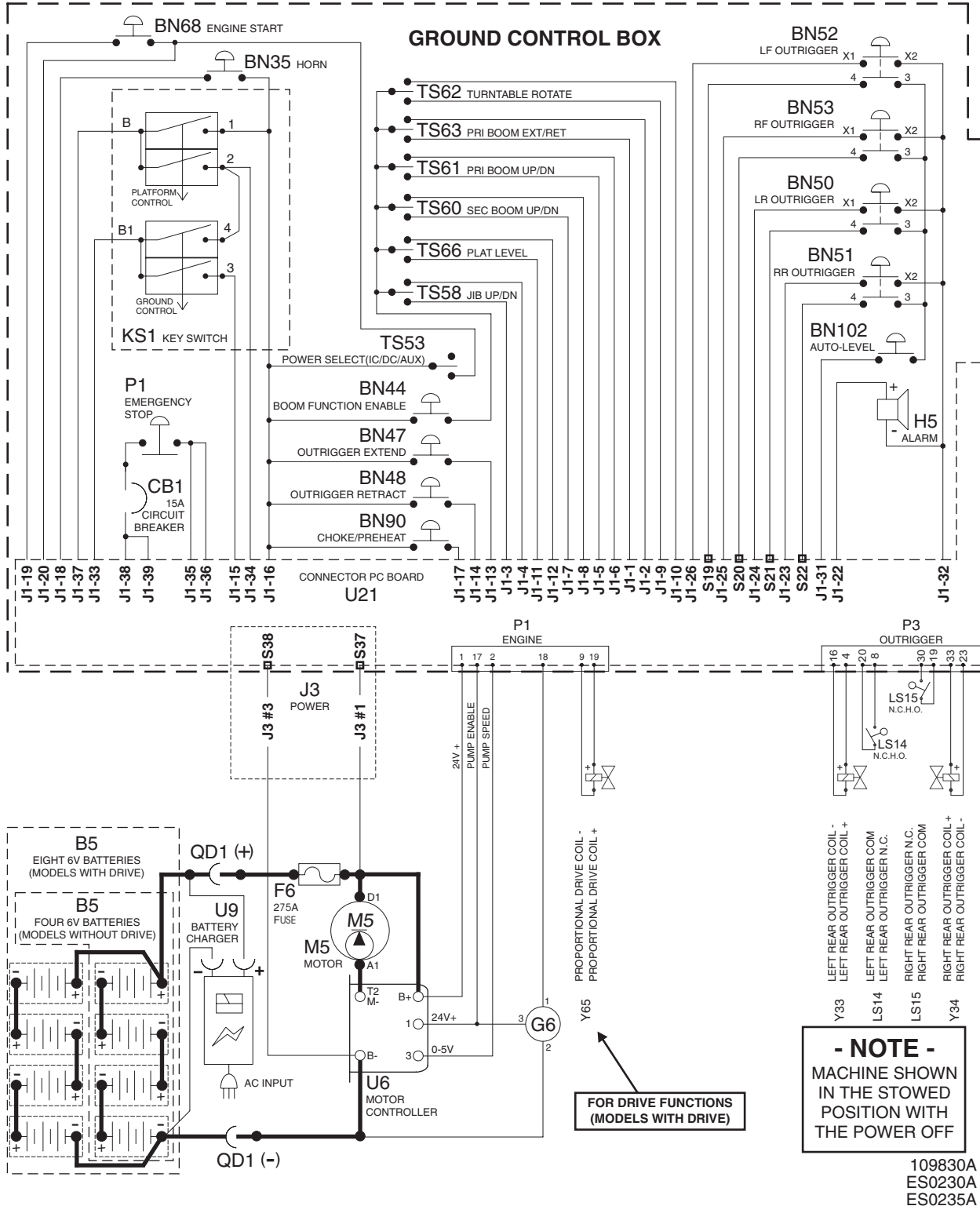
# Electrical Schematic

DC Models

REV A

(from serial number T5002-25 to TMZ5003-228)

Part 1 of 2



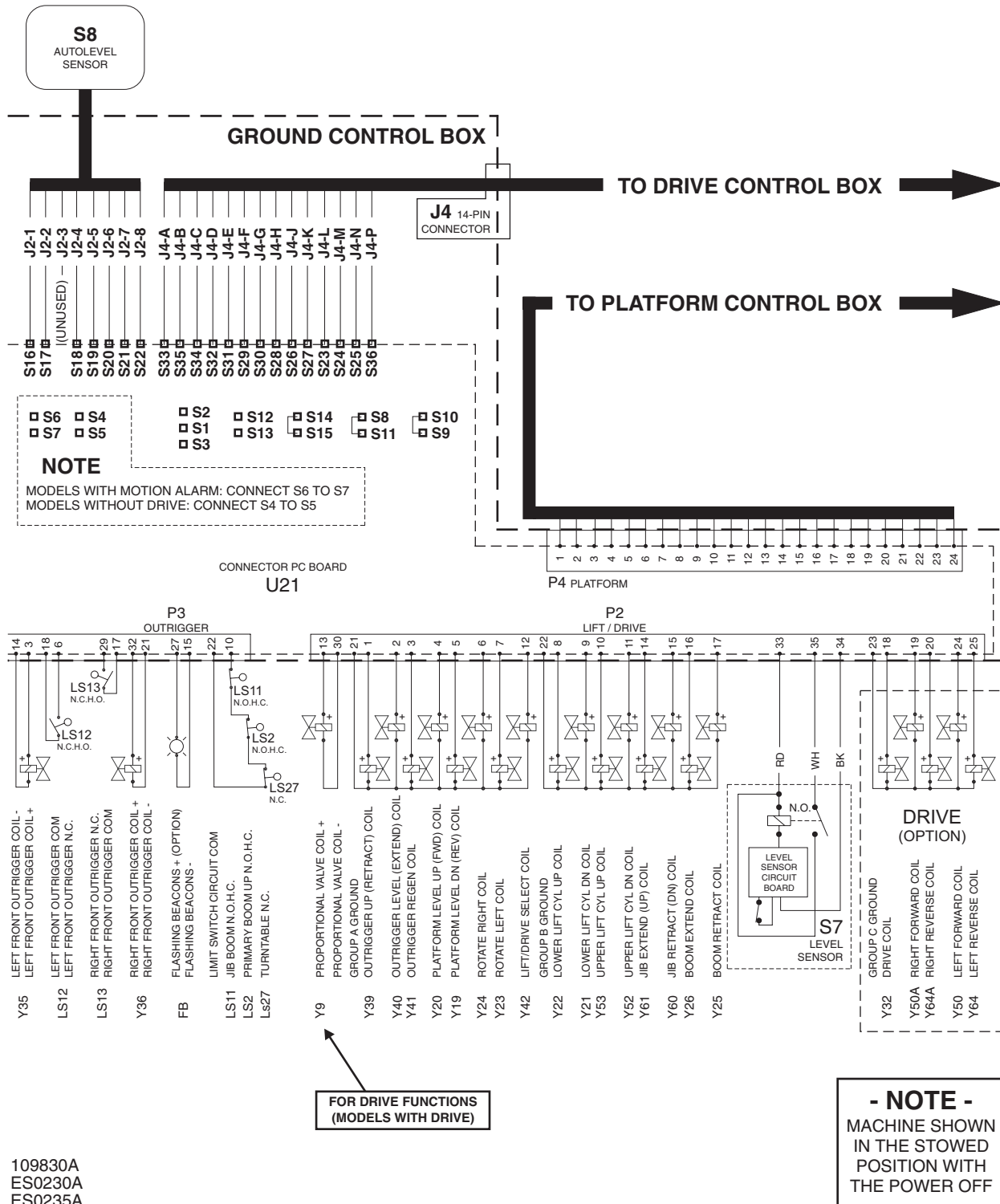
# Electrical Schematic

REV A

DC Models

(from serial number T5002-25 to TMZ5003-228)

Part 2 of 2



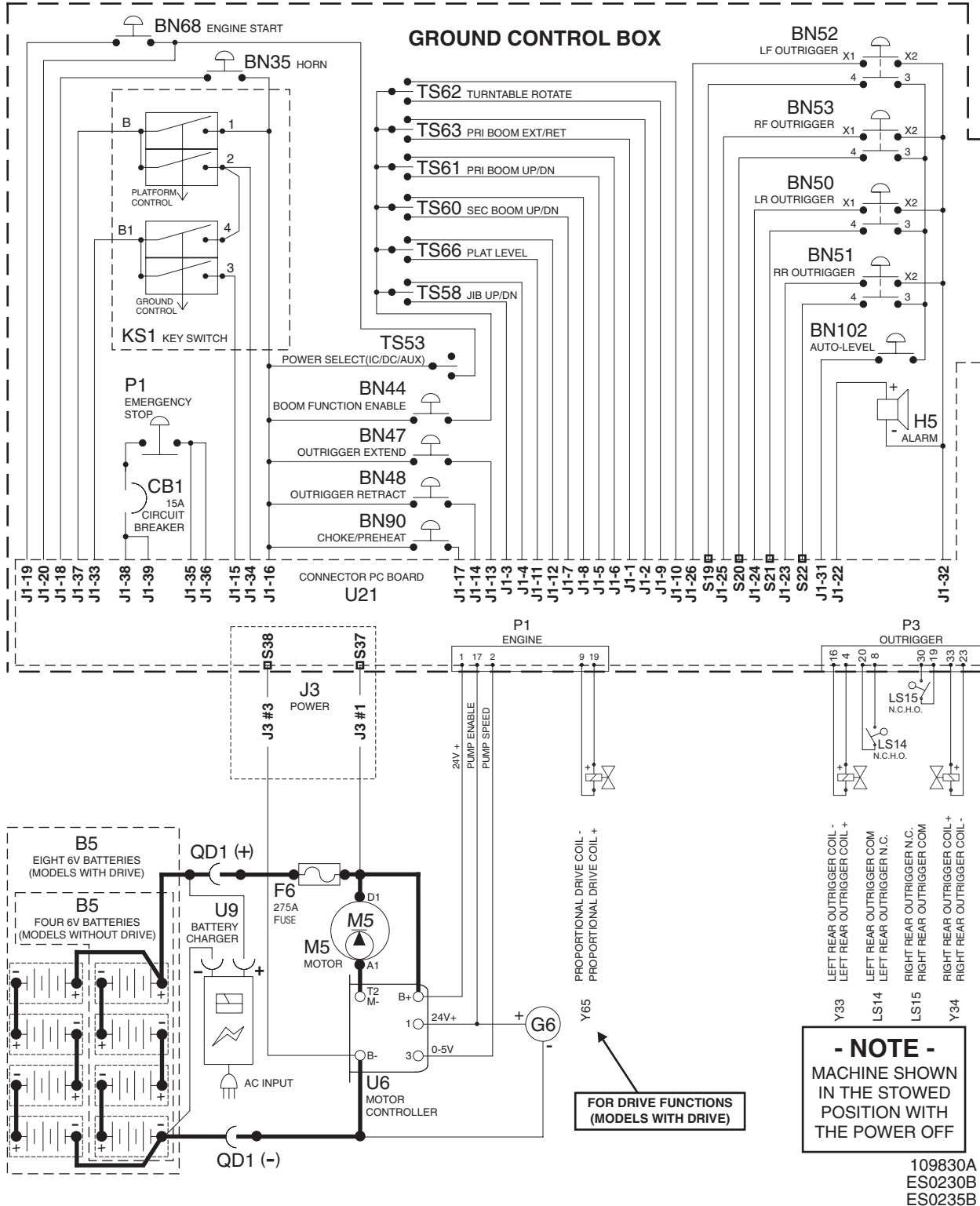
109830A  
ES0230A  
ES0235A



# Electrical Schematic

DC Models  
(after serial number TMZ5003-228)  
Part 1 of 2

REV A

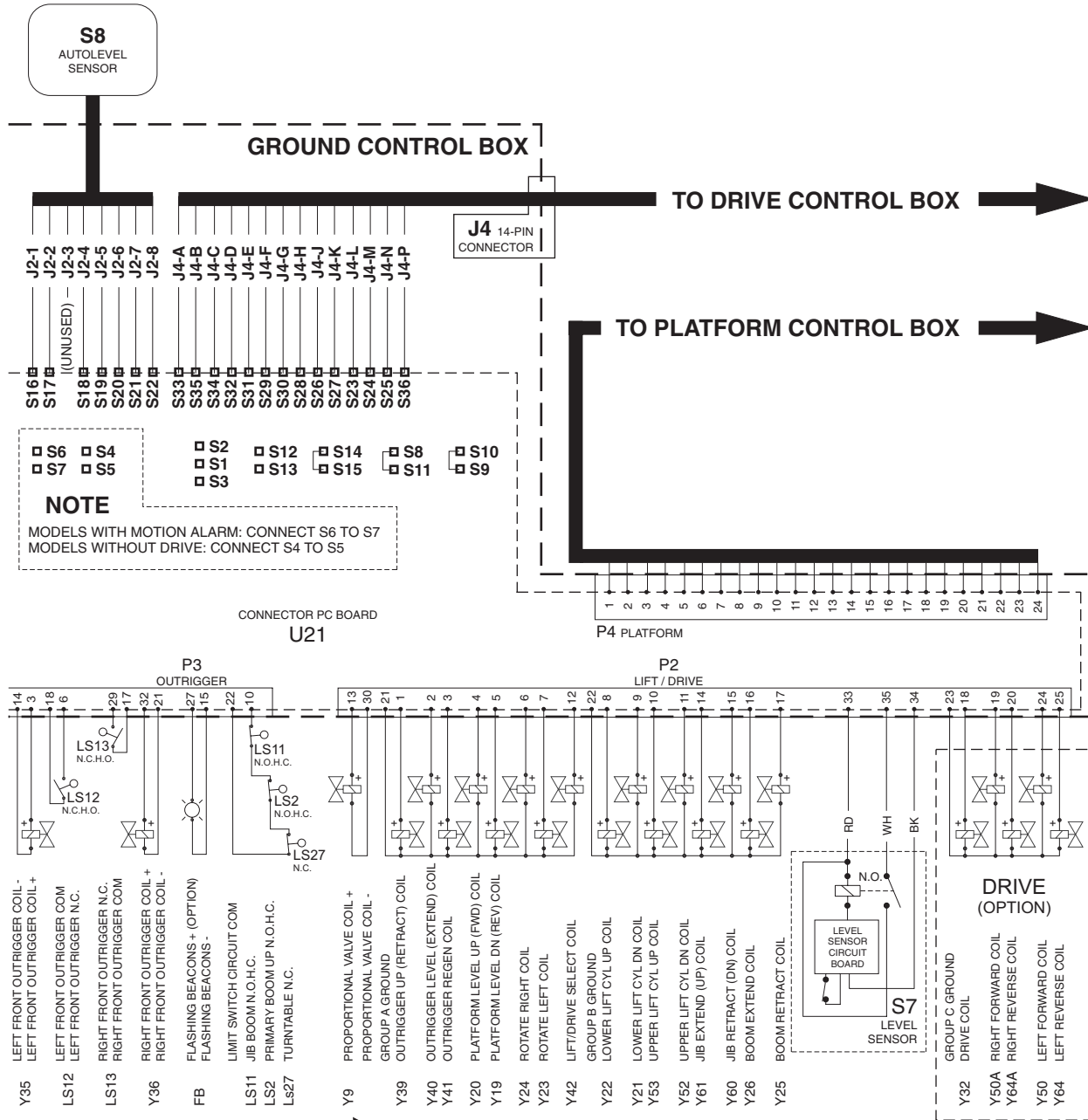




# Electrical Schematic

REV A

DC Models  
(after serial number TMZ5003-228)  
Part 2 of 2



**FOR DRIVE FUNCTIONS  
(MODELS WITH DRIVE)**

**- NOTE -**  
MACHINE SHOWN  
IN THE STOWED  
POSITION WITH  
THE POWER OFF

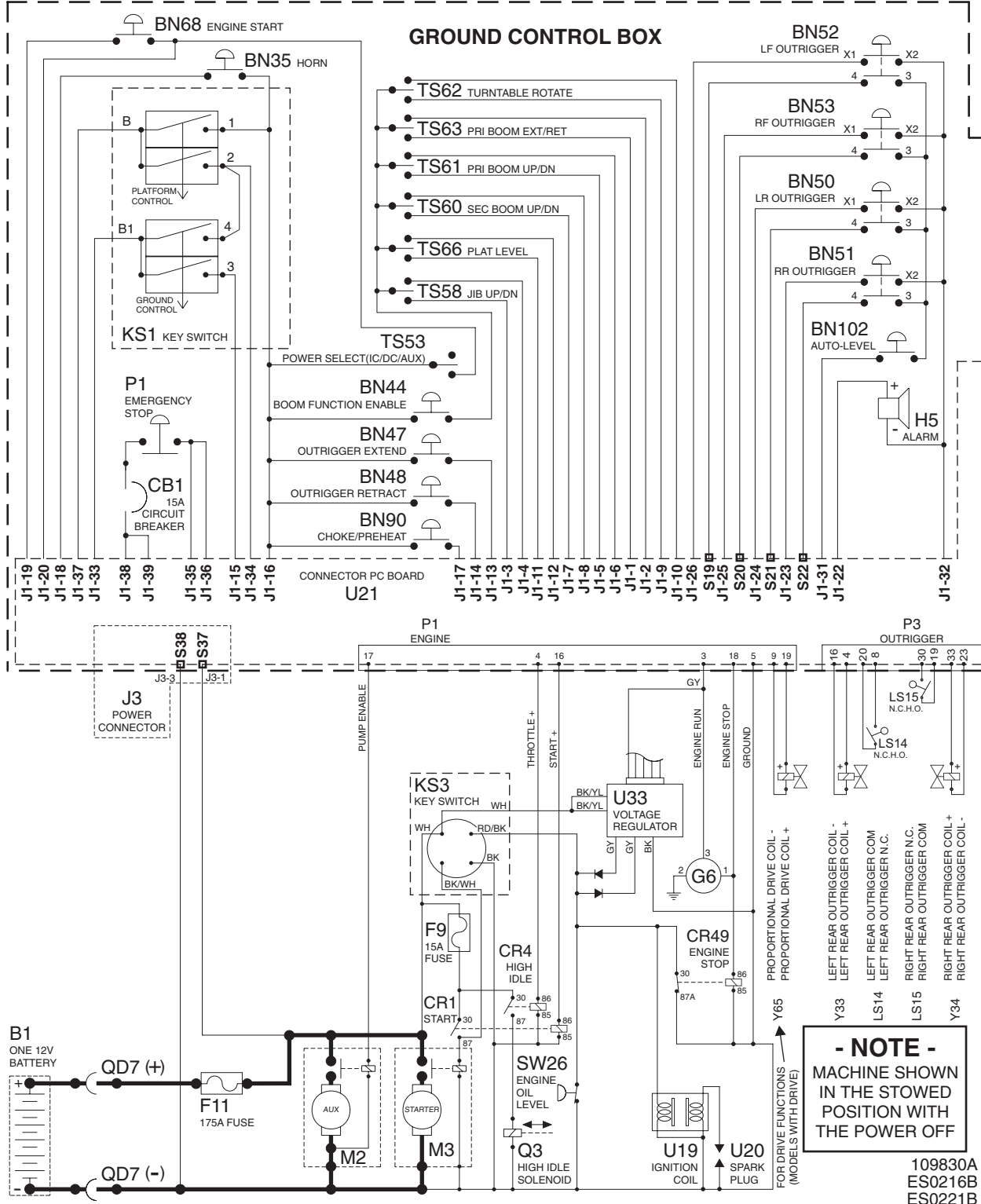
109830A  
ES0230B  
ES0235B



# Electrical Schematic

Gasoline Models  
(before serial number T5000-91)  
Part 1 of 2

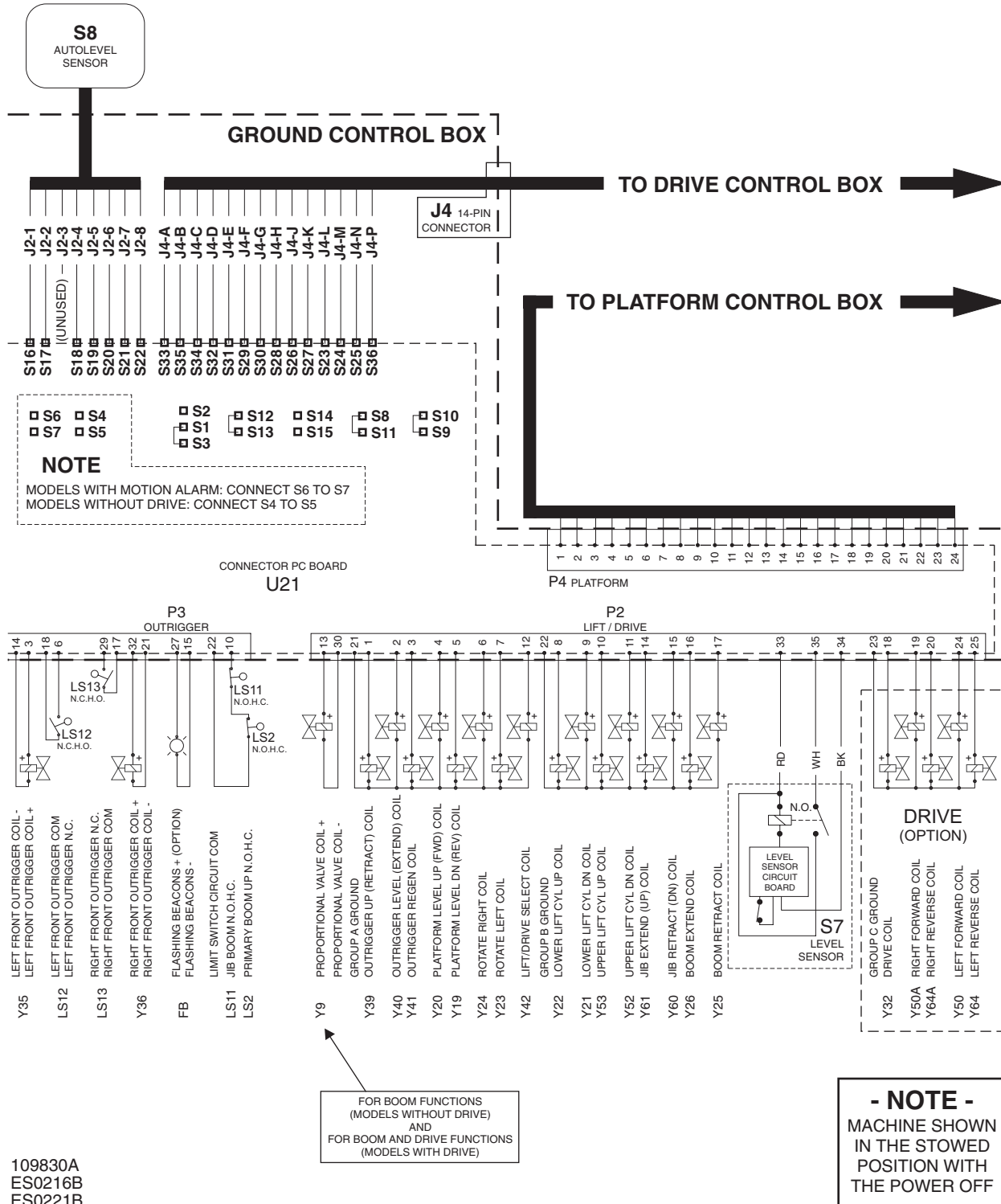
REV A



# Electrical Schematic

Gasoline Models  
(before serial number T5000-91)  
Part 2 of 2

REV A



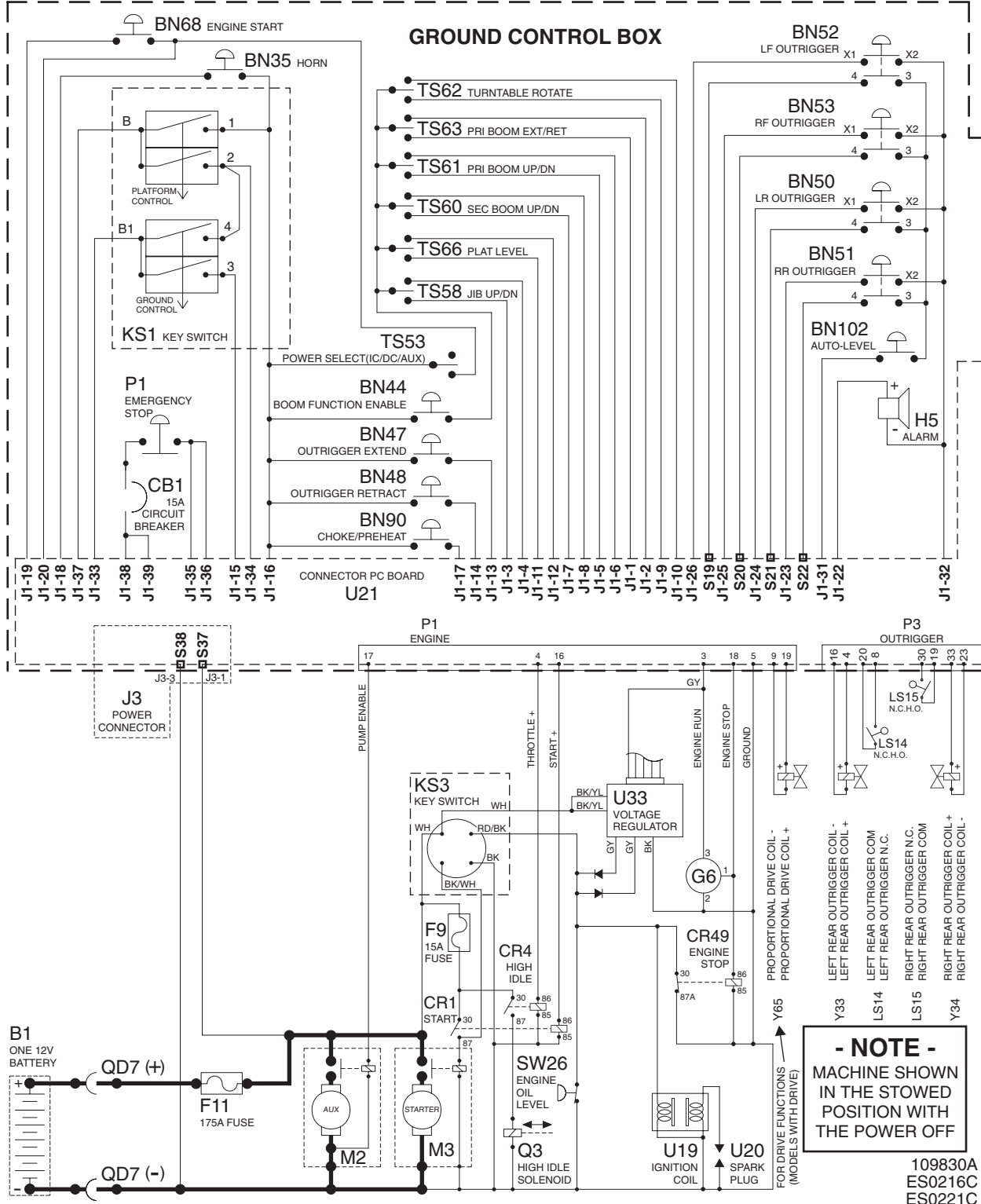
# Electrical Schematic

Gasoline Models

REV A

(from serial number T5000-91 to T5002-24)

Part 1 of 2



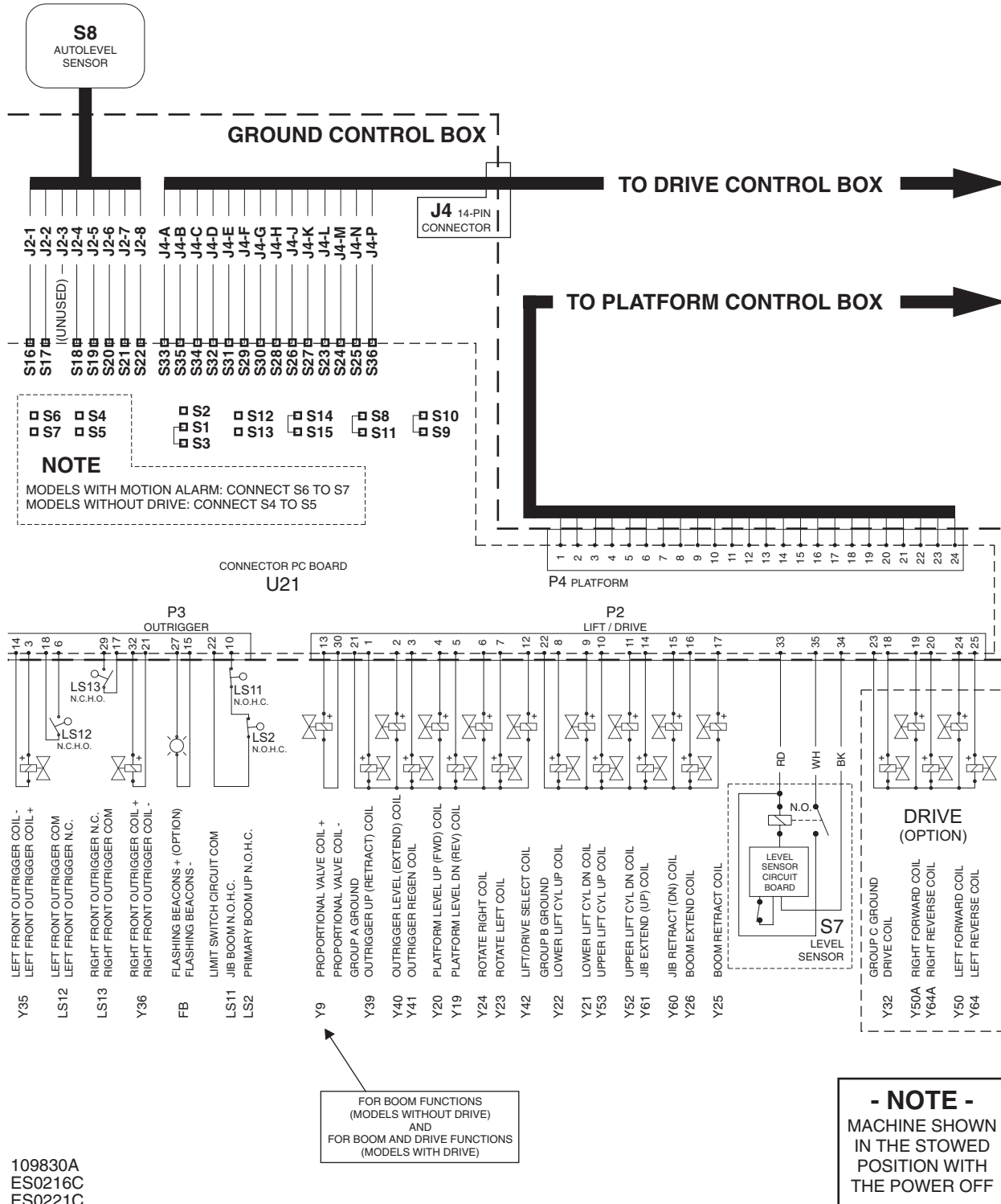
# Electrical Schematic

Gasoline Models

(from serial number T5000-91 to T5002-24)

Part 2 of 2

REV A



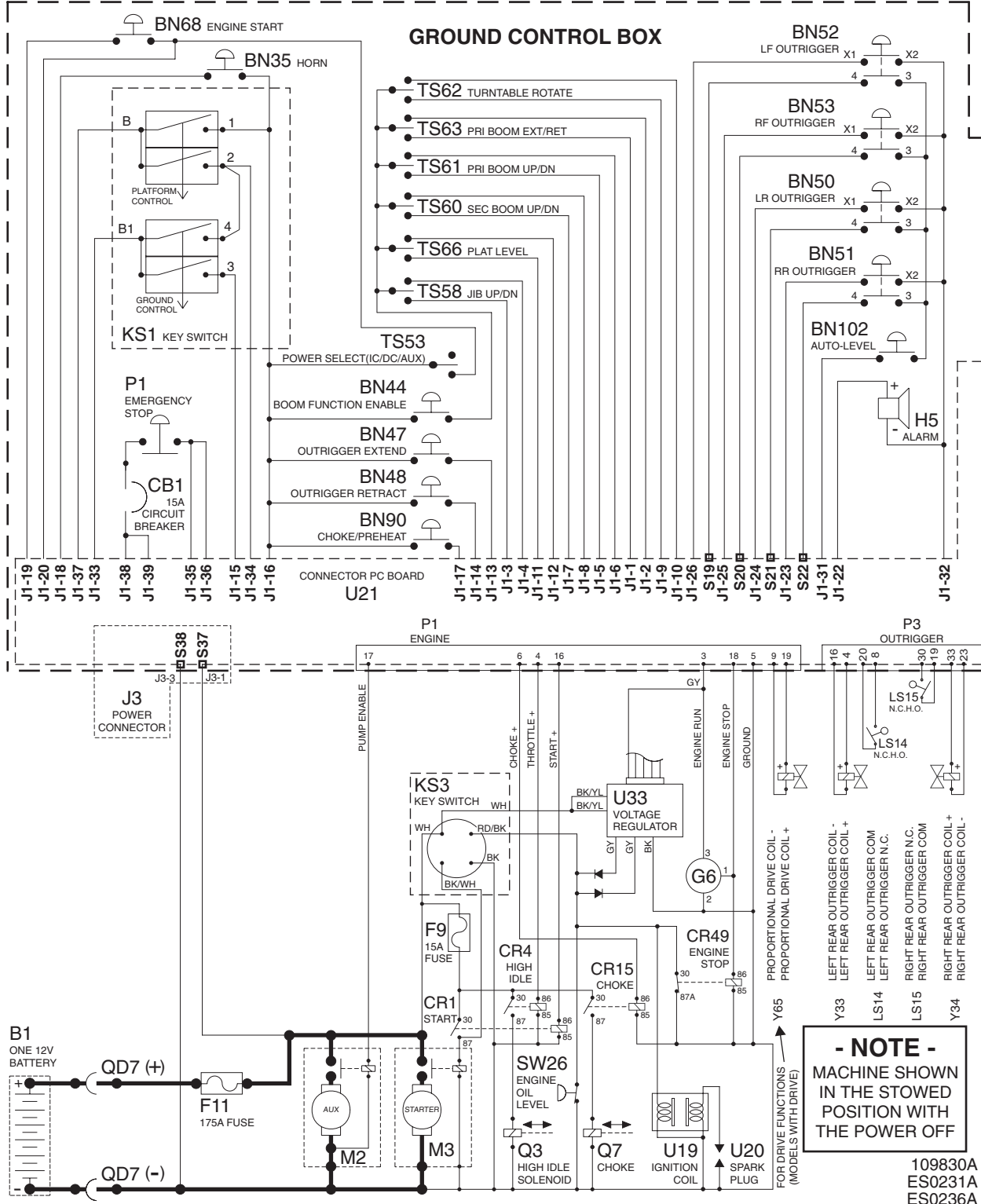
# Electrical Schematic

Gasoline Models

REV A

(from serial number T5002-25 to TMZ5003-228)

Part 1 of 2



109830A  
ES0231A  
ES0236A



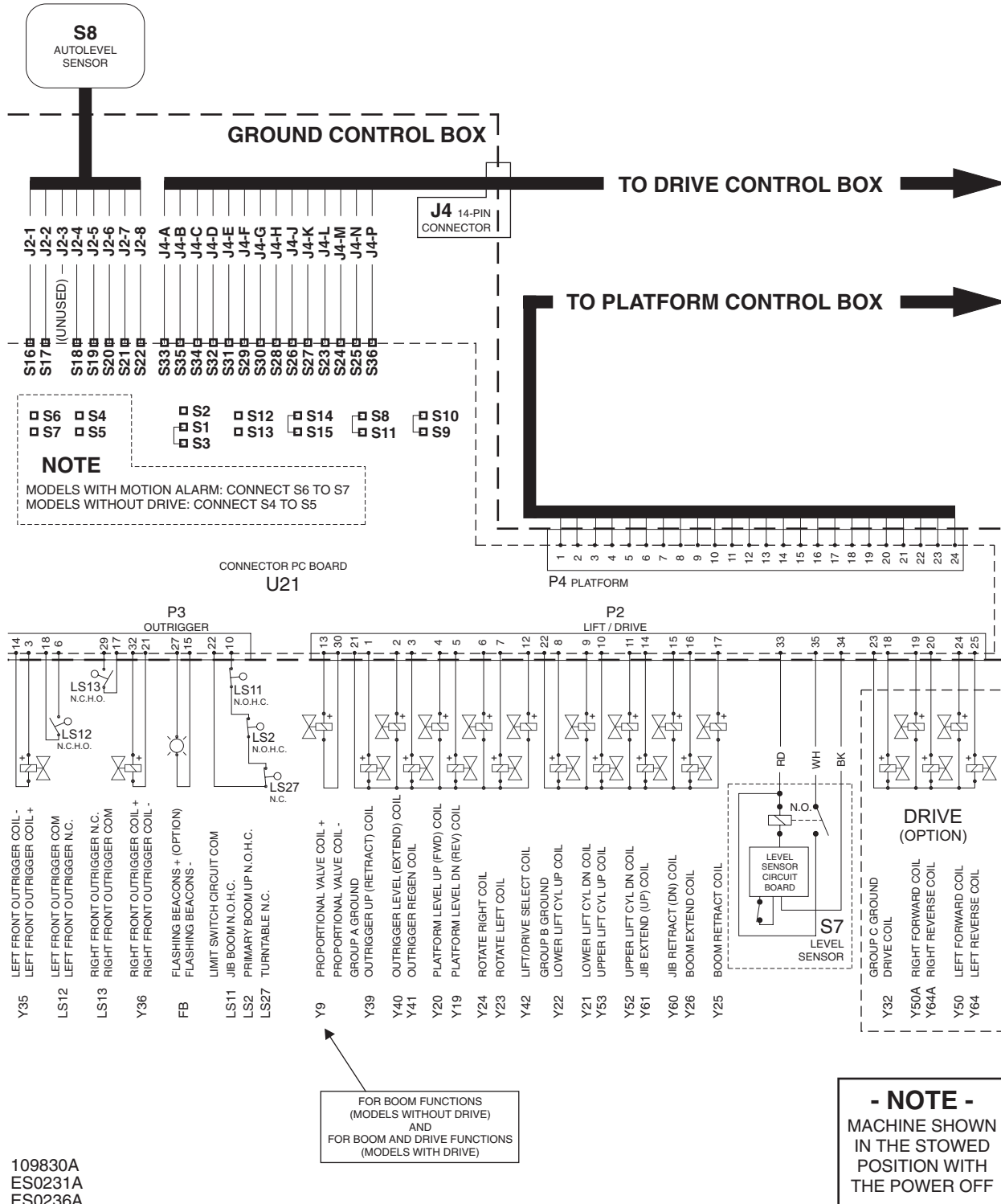
# Electrical Schematic

Gasoline Models

(from serial number T5002-25 to TMZ5003-228)

Part 2 of 2

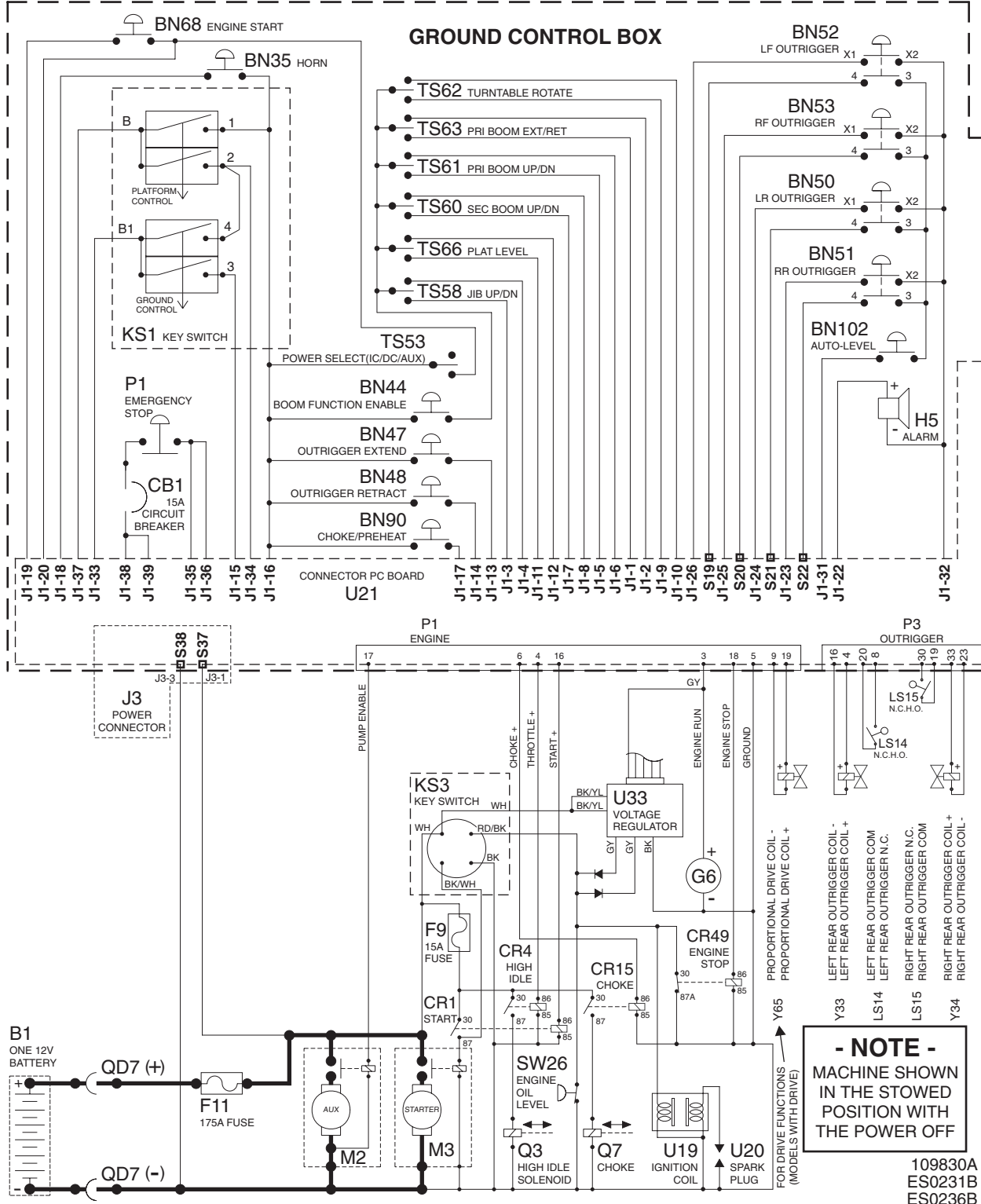
REV A



# Electrical Schematic

Gasoline Models  
(after serial number TMZ5003-228)  
Part 1 of 2

REV A



109830A  
ES0231B  
ES0236B

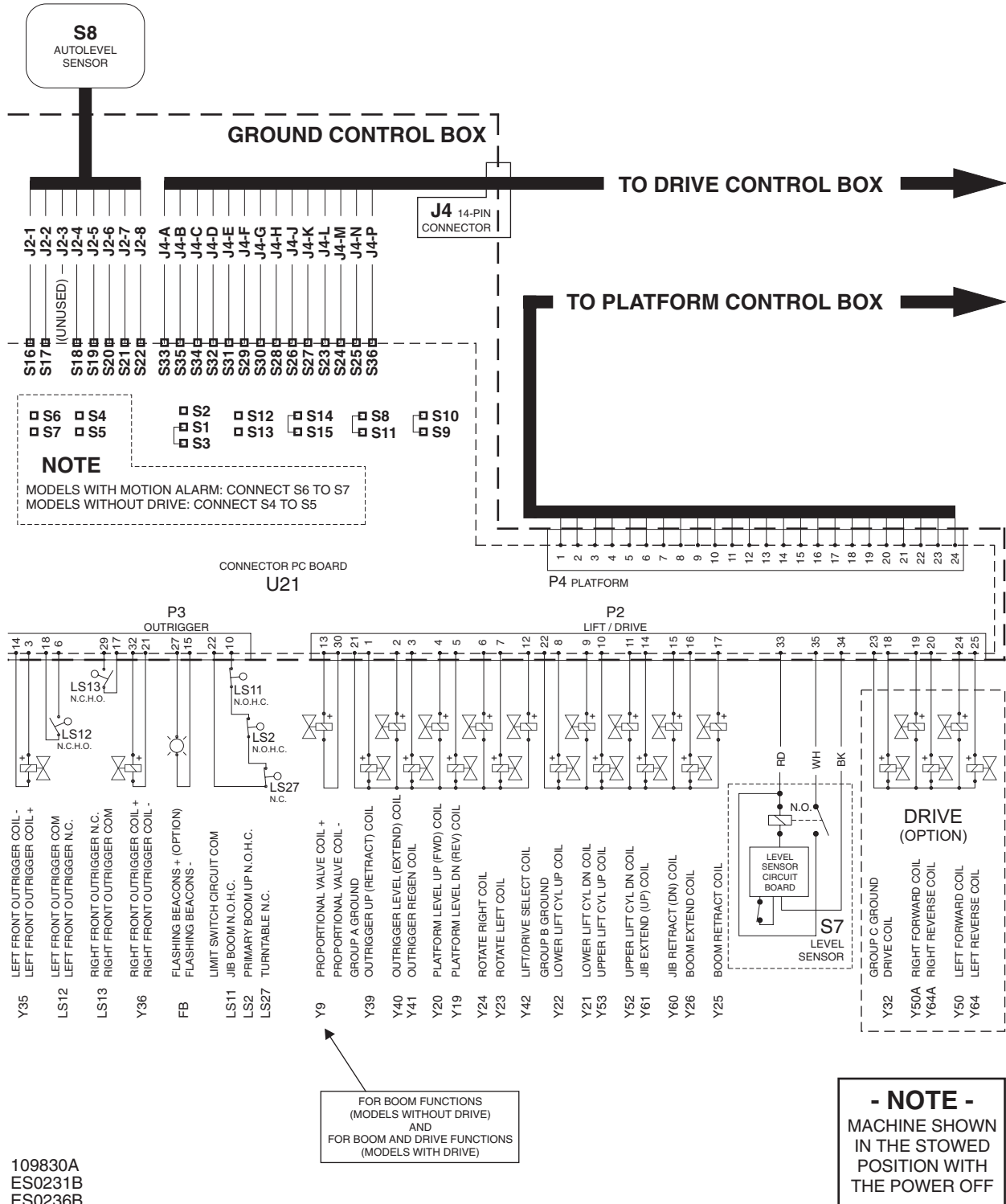




# Electrical Schematic

Gasoline Models  
(after serial number TMZ5003-228)  
Part 2 of 2

REV A

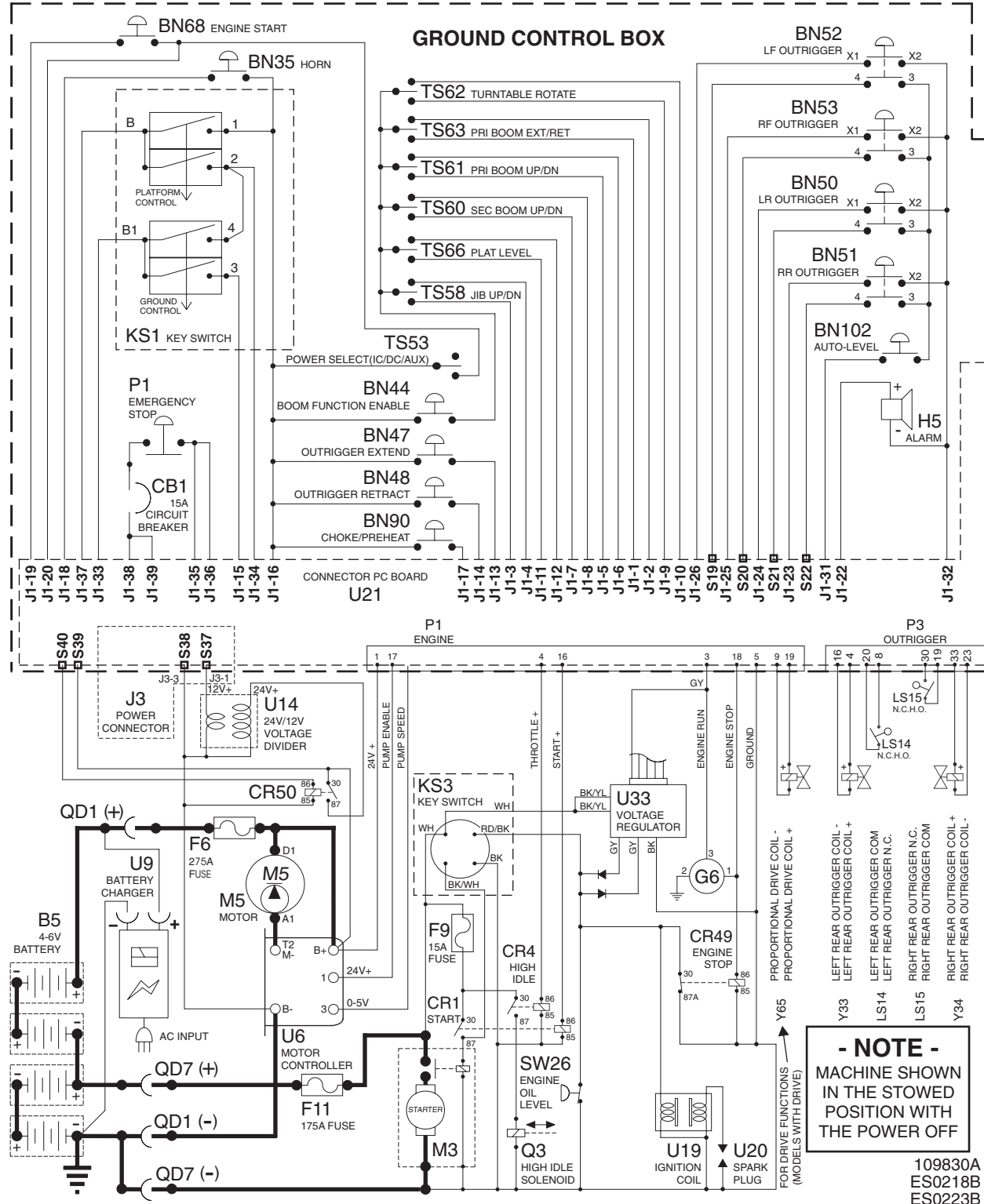


# Electrical Schematic

Gasoline Bi-Fuel Models  
(before serial number T5000-91)

REV A

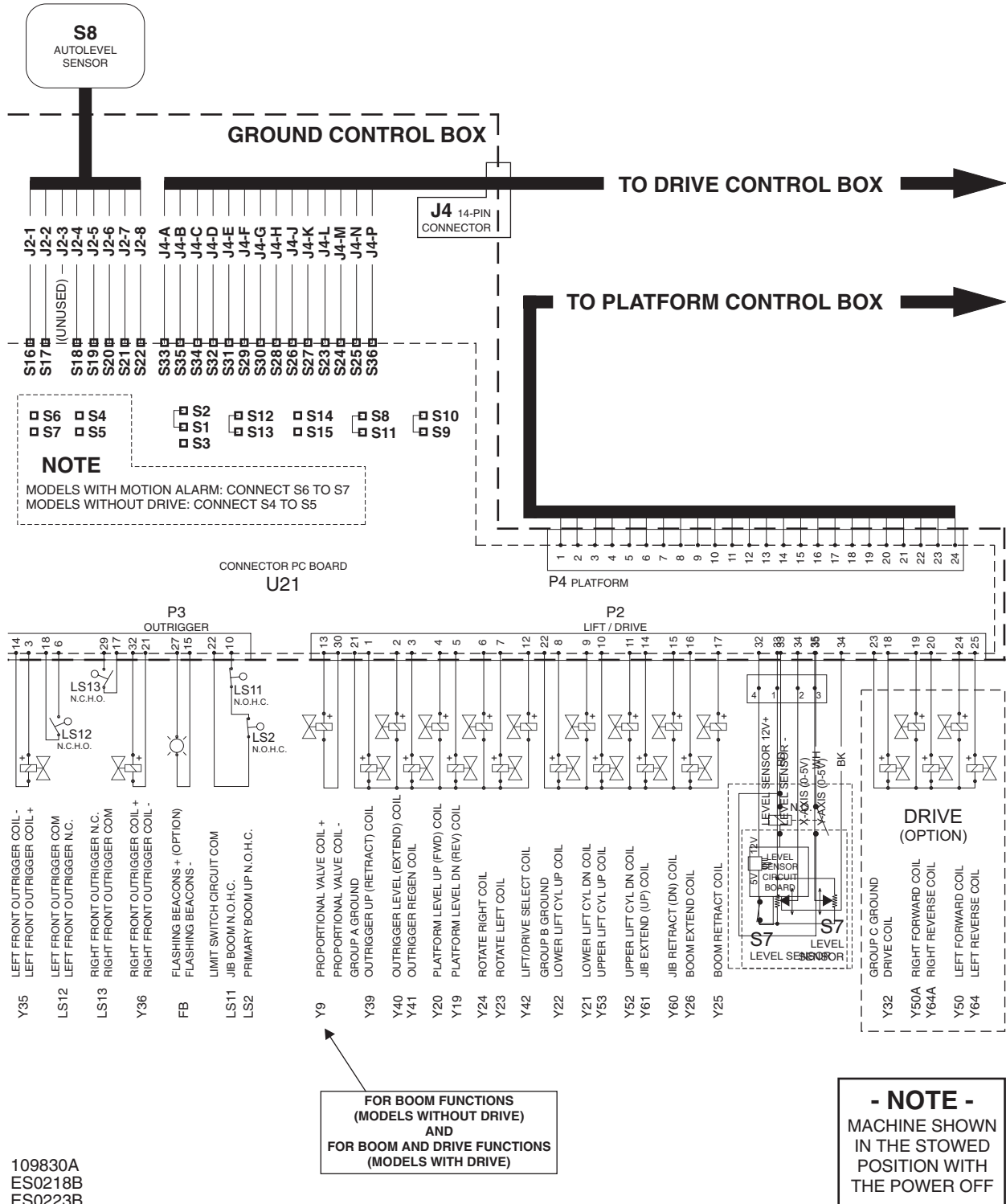
Part 1 of 2



# Electrical Schematic

Gasoline Bi-Fuel Models  
(before serial number T5000-91)  
Part 2 of 2

REV A



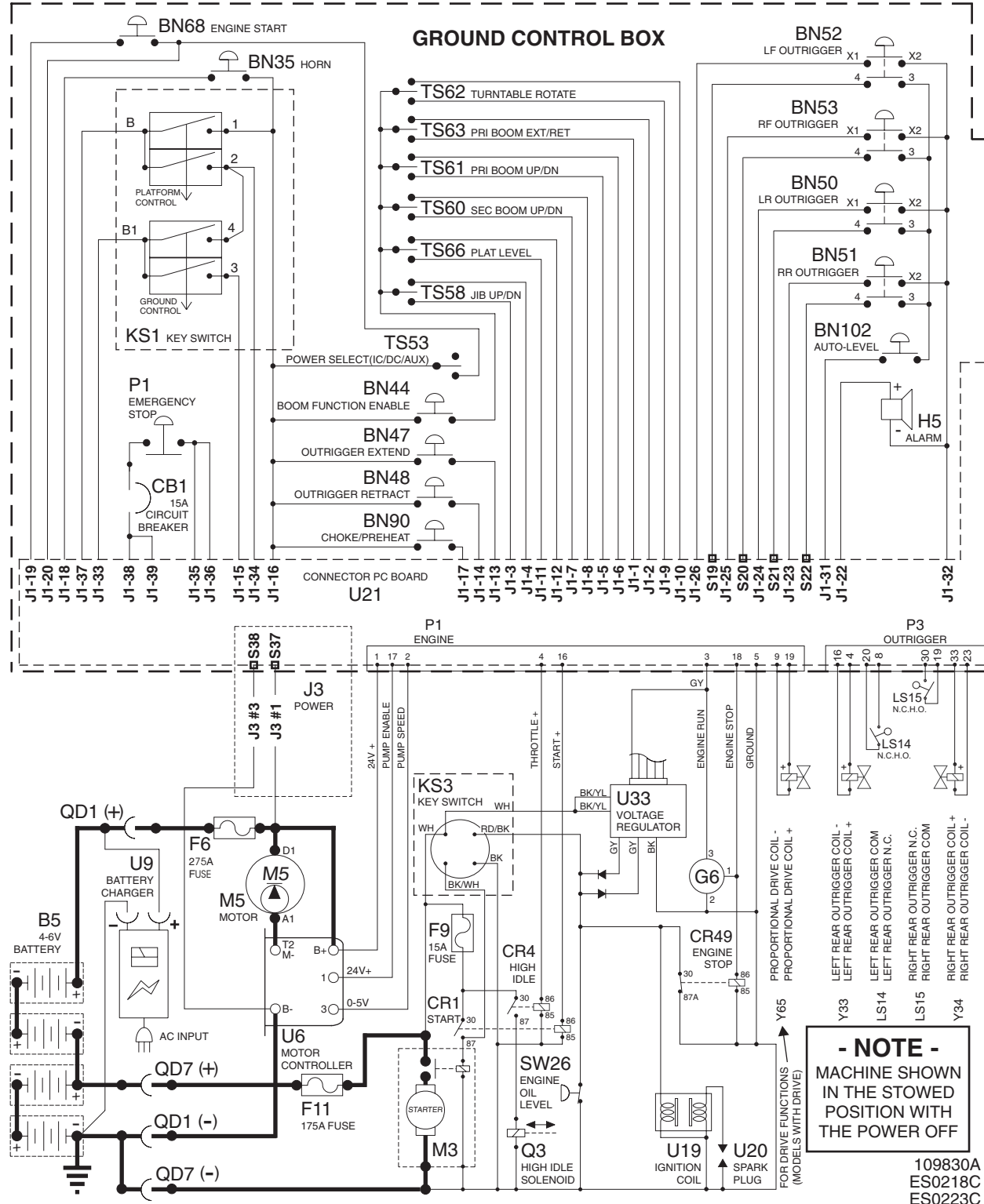
109830A  
ES0218B  
ES0223B



# Electrical Schematic

Gasoline Bi-Fuel Models  
 (from serial number T5000-91 to T5002-24)  
 Part 1 of 2

REV A



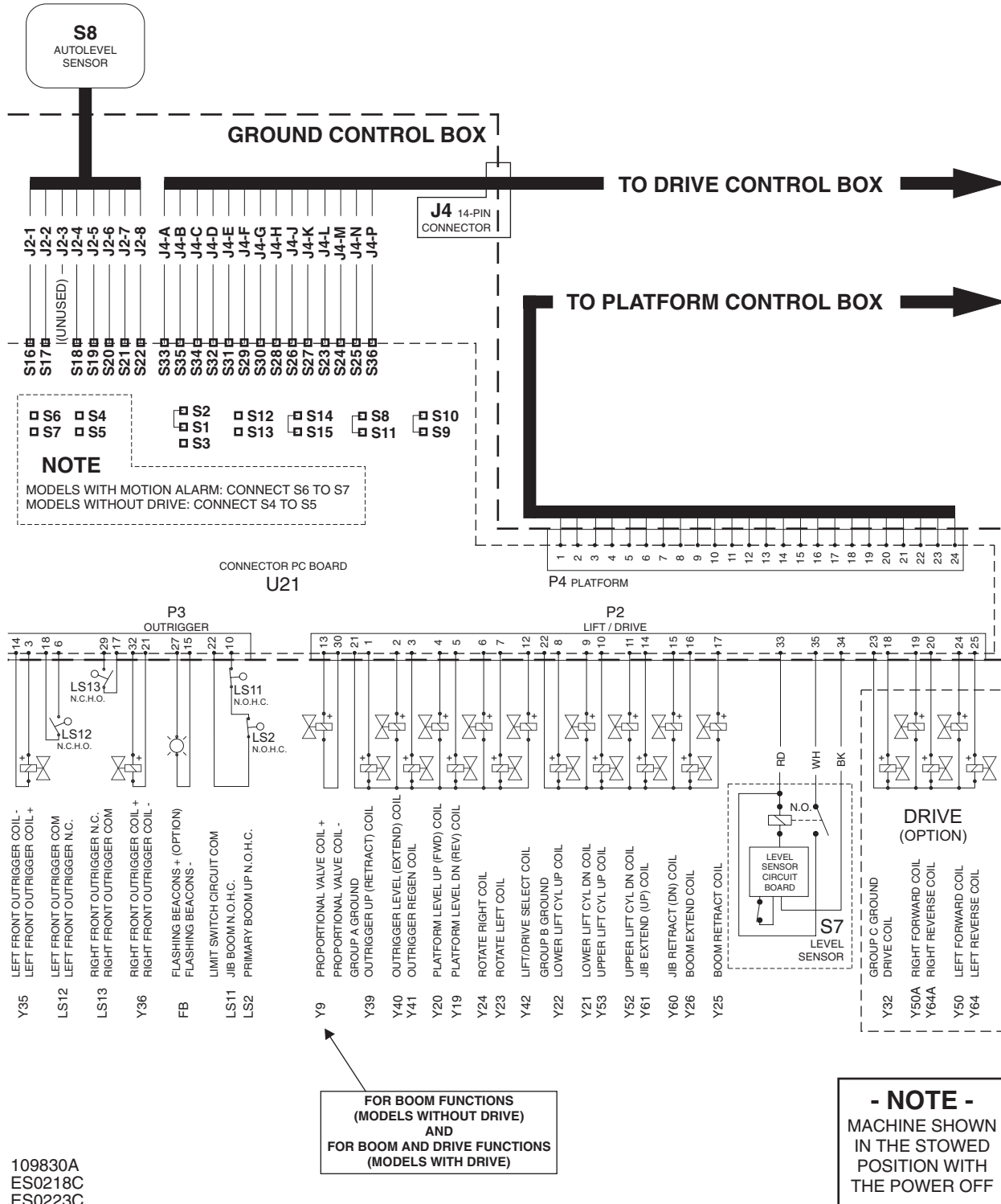
# Electrical Schematic

Gasoline Bi-Fuel Models

(from serial number T5000-91 to T5002-24)

Part 2 of 2

REV A



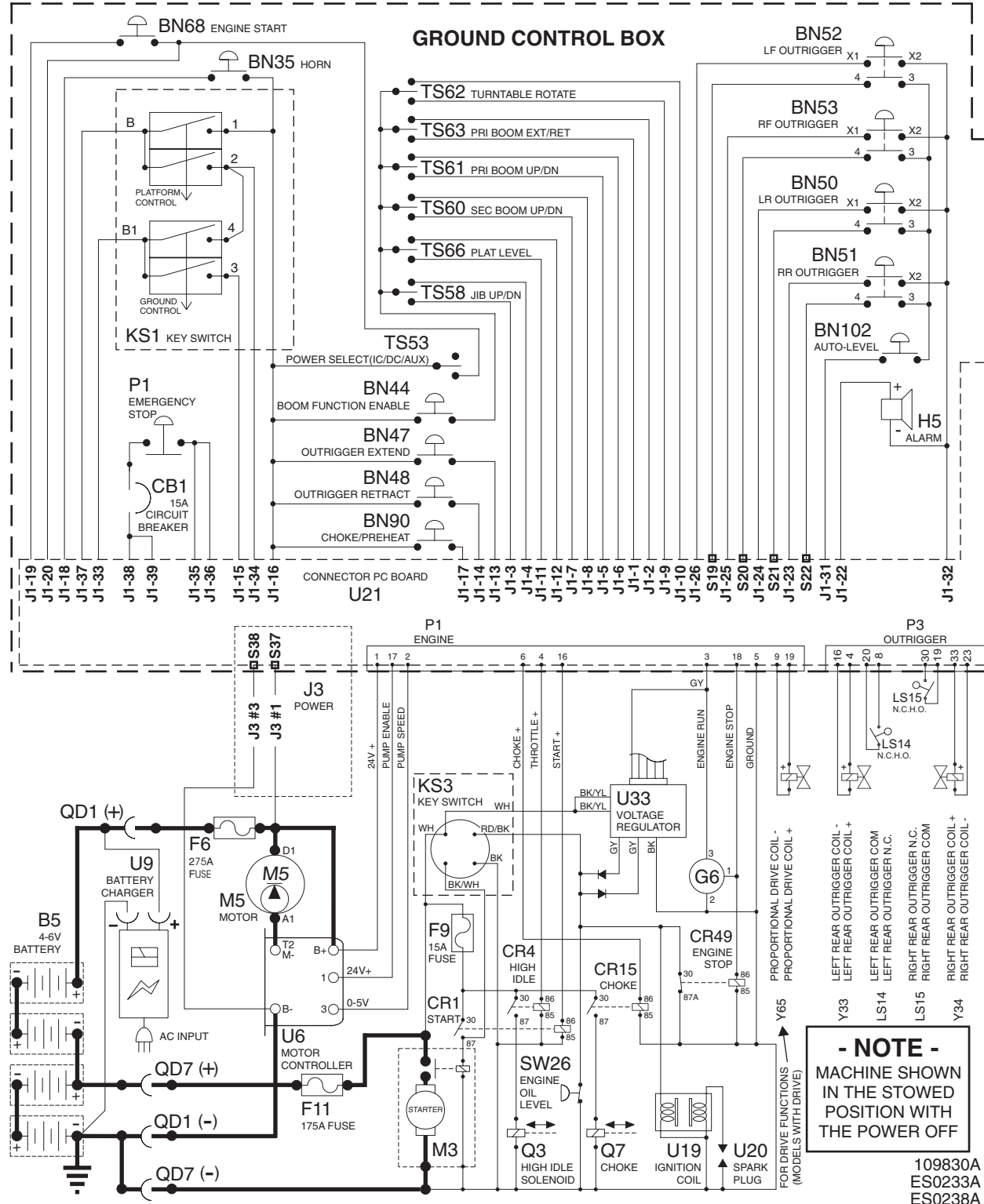
# Electrical Schematic

Gasoline Bi-Fuel Models

REV A

(from serial number T5002-25 to TMZ5003-228)

Part 1 of 2



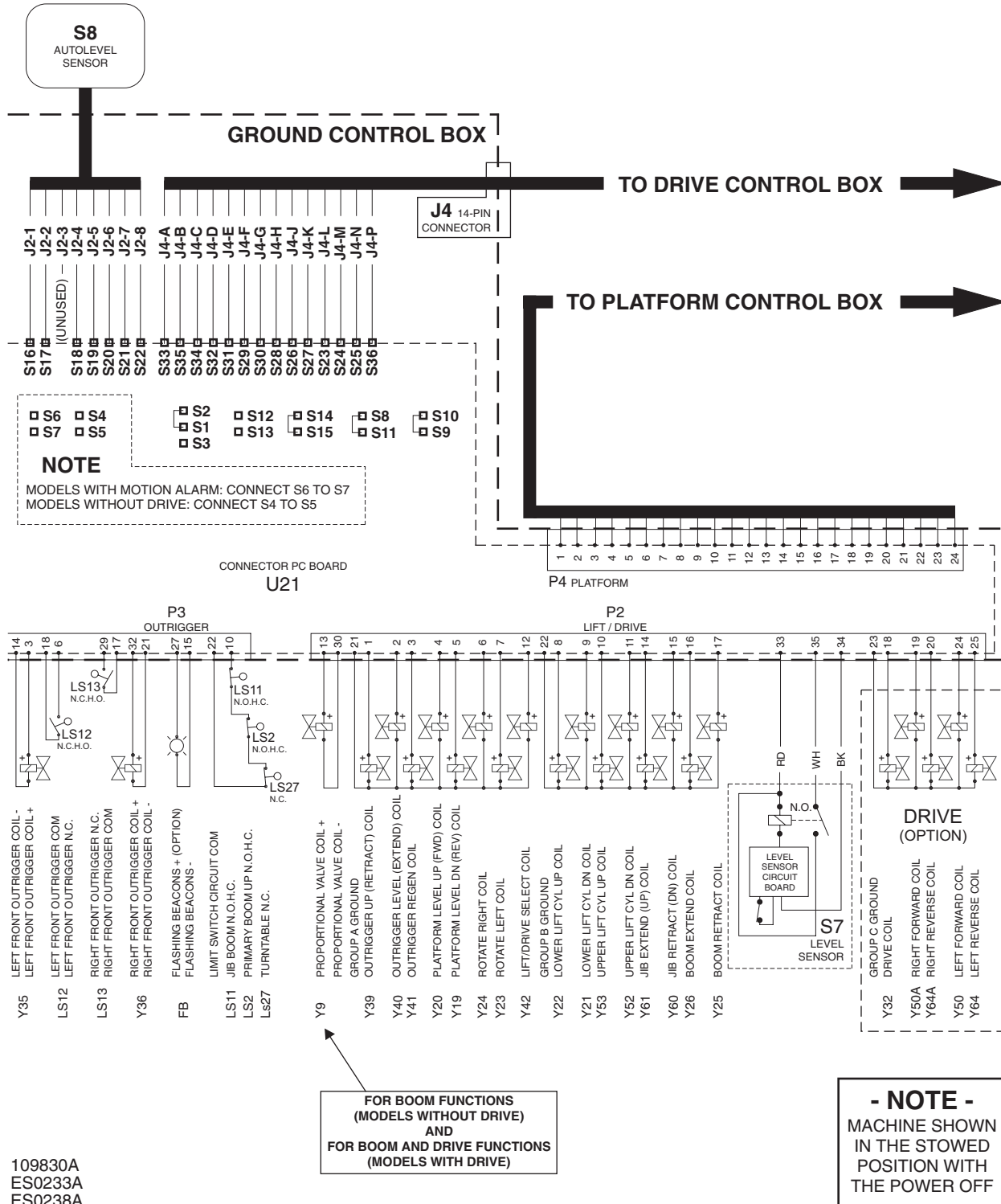
# Electrical Schematic

Gasoline Bi-Fuel Models

(from serial number T5002-25 to TMZ5003-228)

Part 2 of 2

REV A



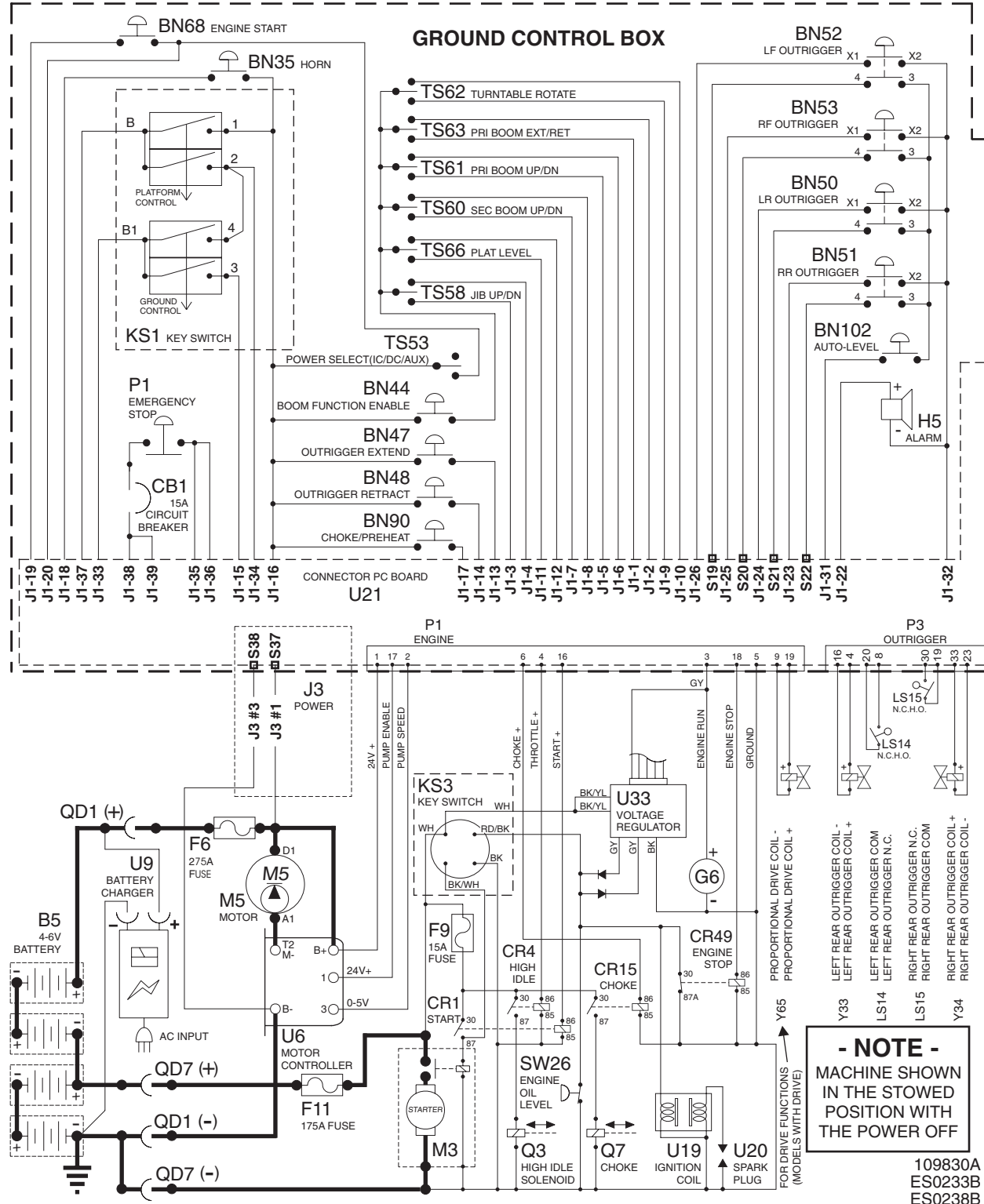
109830A  
ES0233A  
ES0238A



# Electrical Schematic

Gasoline Bi-Fuel Models  
(after serial number TMZ5003-228)  
Part 1 of 2

REV A

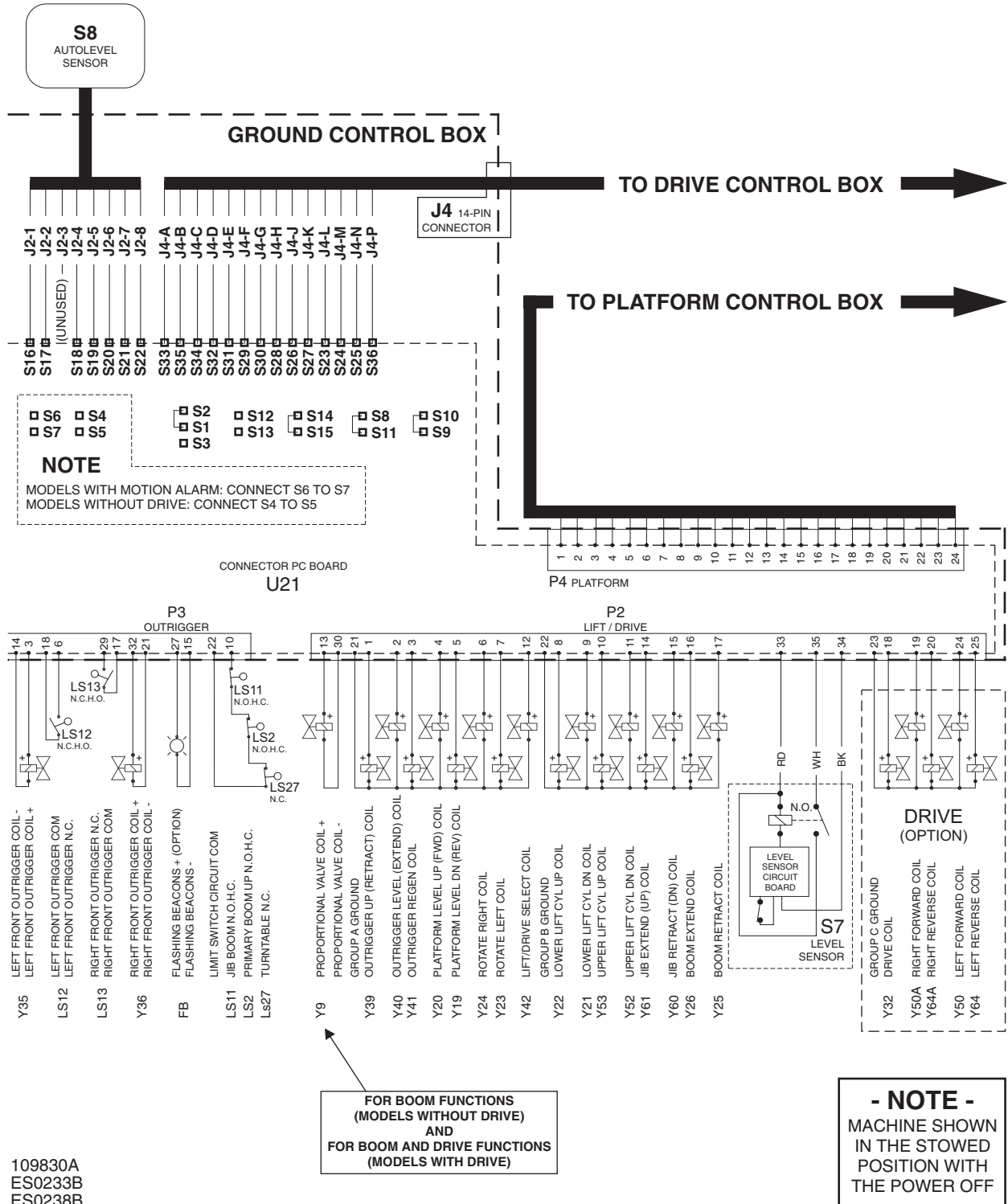




# Electrical Schematic

Gasoline Bi-Fuel Models  
(after serial number TMZ5003-228)  
Part 2 of 2

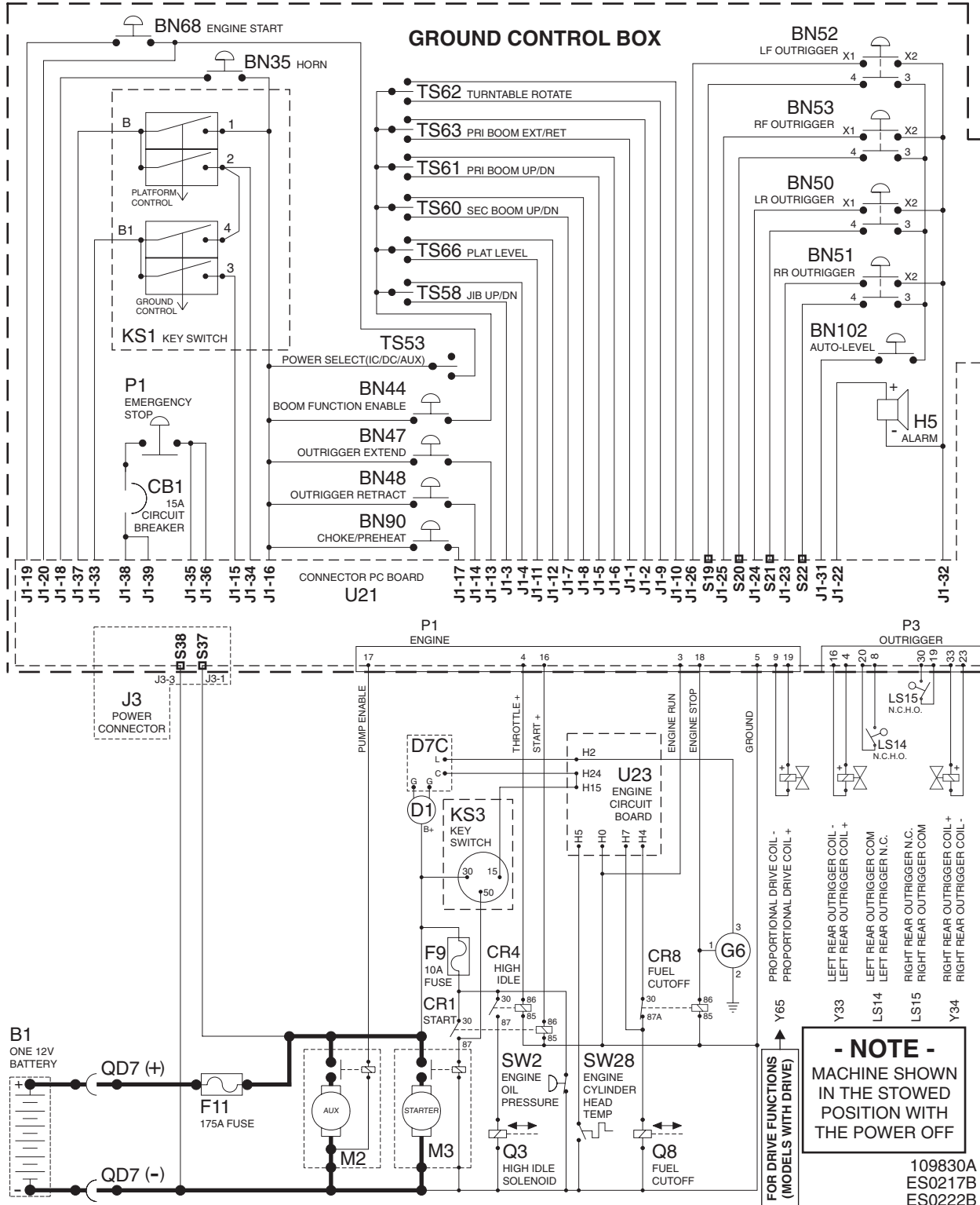
REV A



# Electrical Schematic

Diesel Models  
(before serial number T5000-91)  
Part 1 of 2

REV A



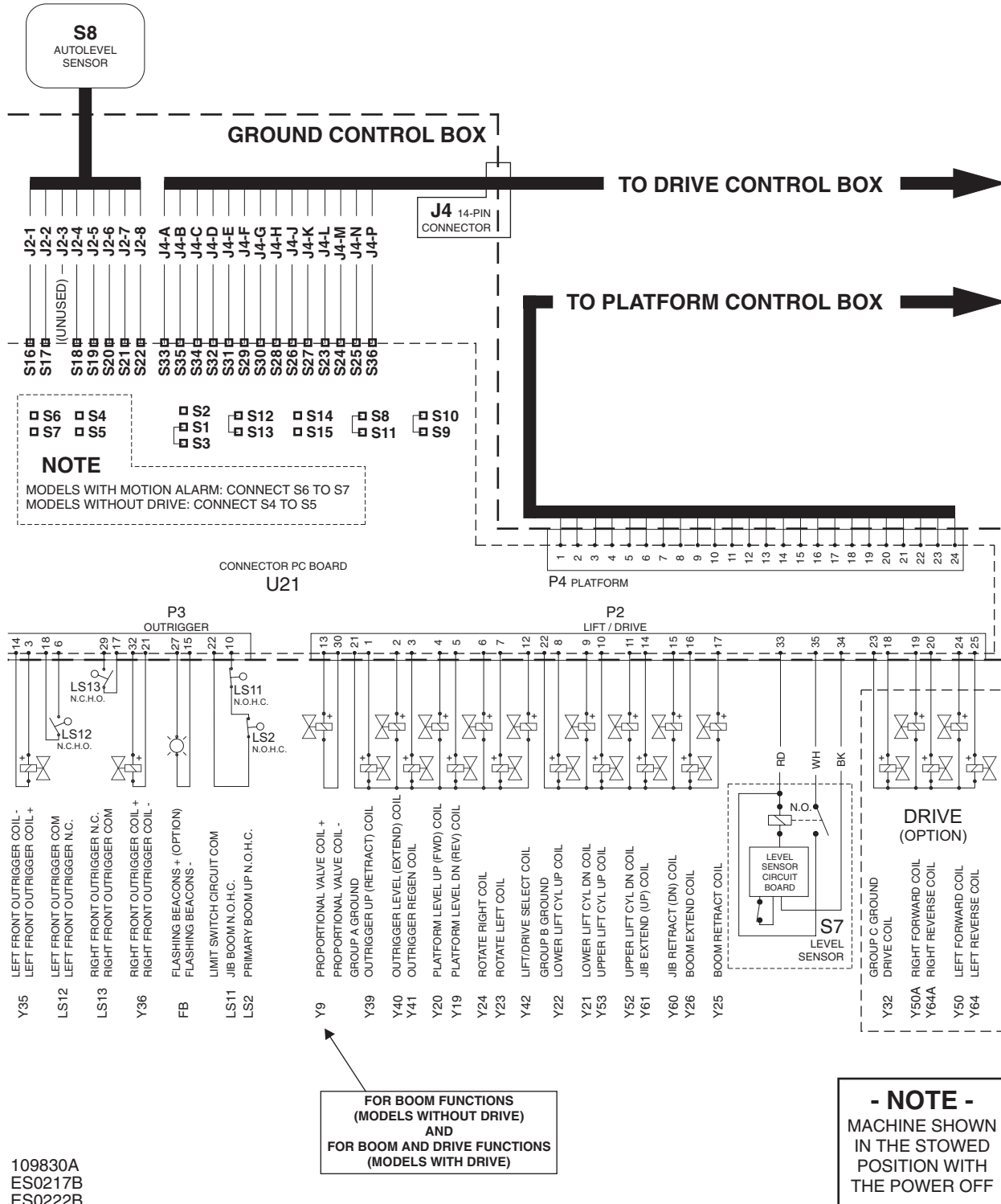
# Electrical Schematic

Diesel Models

(before serial number T5000-91)

Part 2 of 2

REV A



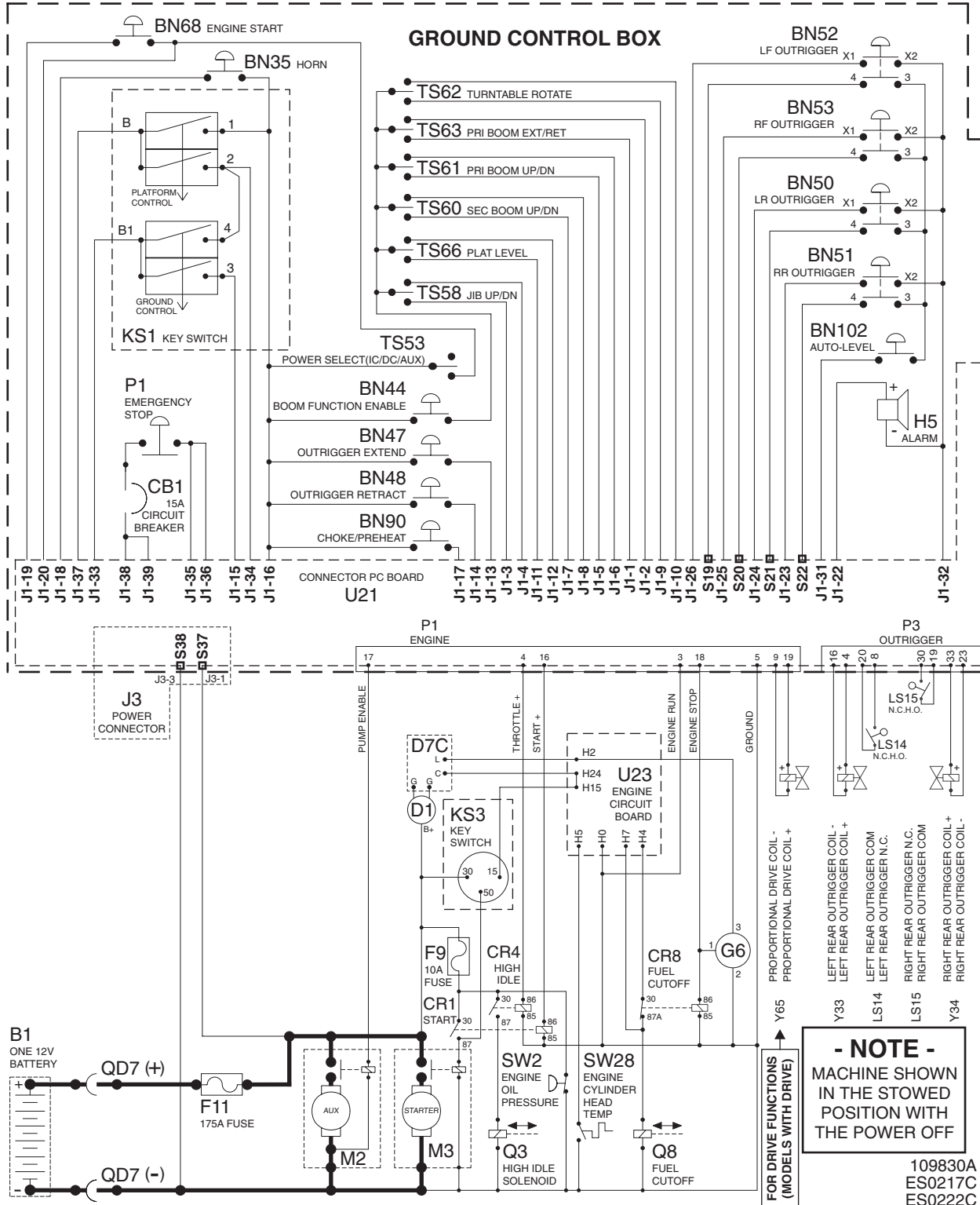
# Electrical Schematic

Diesel Models

REV A

(from serial number T5000-91 to T5002-24)

Part 1 of 2



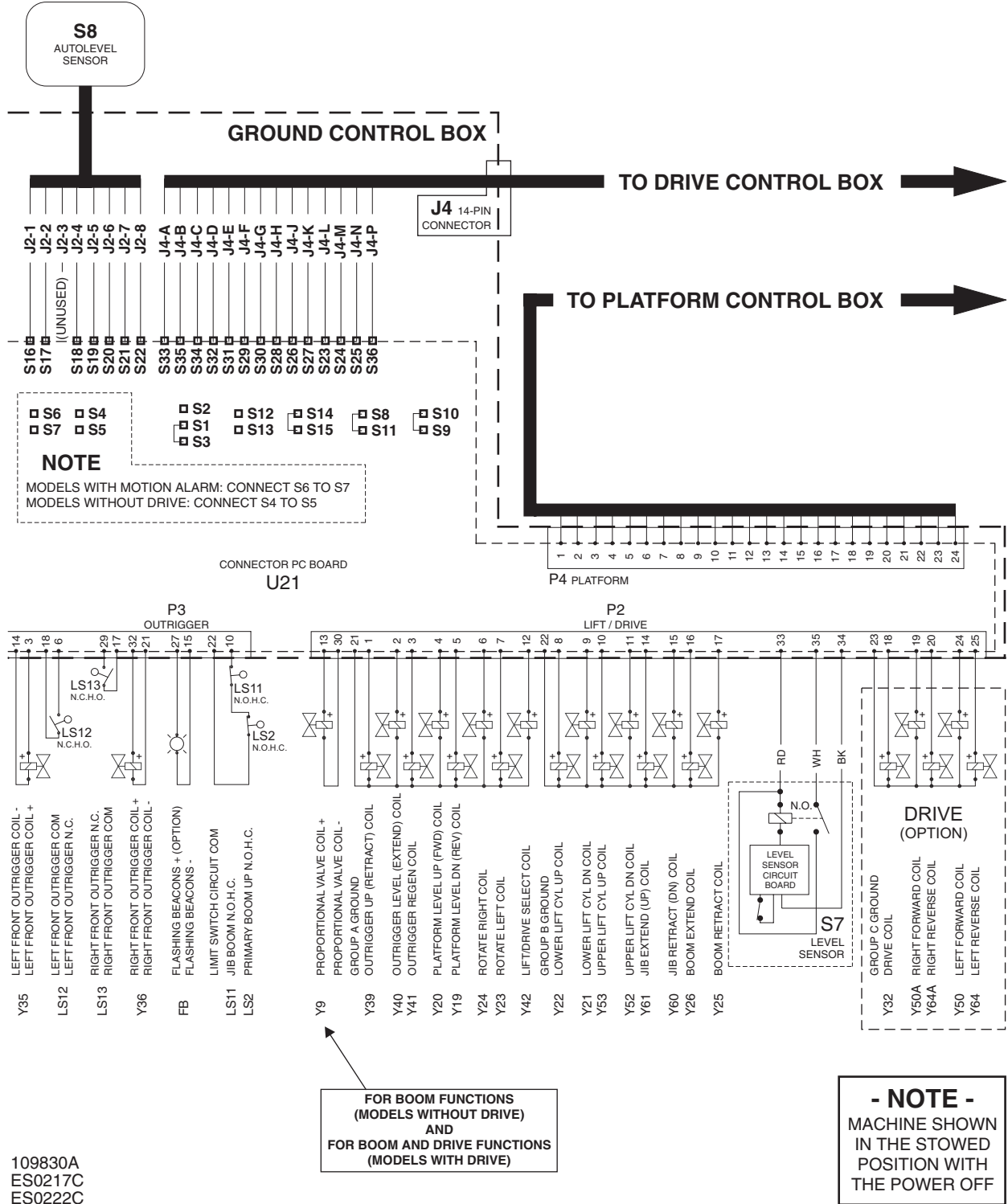
# Electrical Schematic

Diesel Models

(from serial number T5000-91 to T5002-24)

Part 2 of 2

REV A



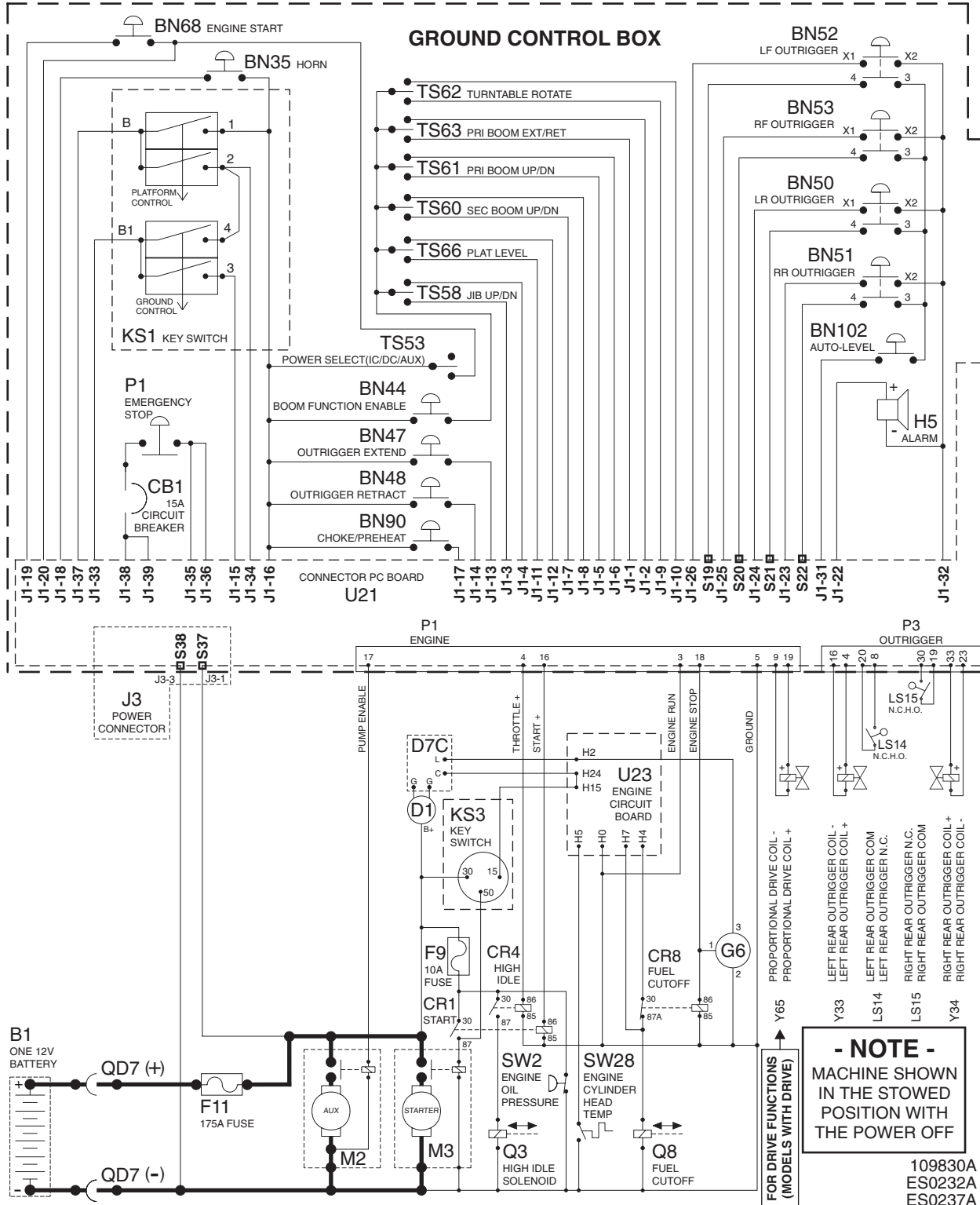
# Electrical Schematic

Diesel Models

REV A

(from serial number T5002-25 to TMZ5003-228)

Part 1 of 2



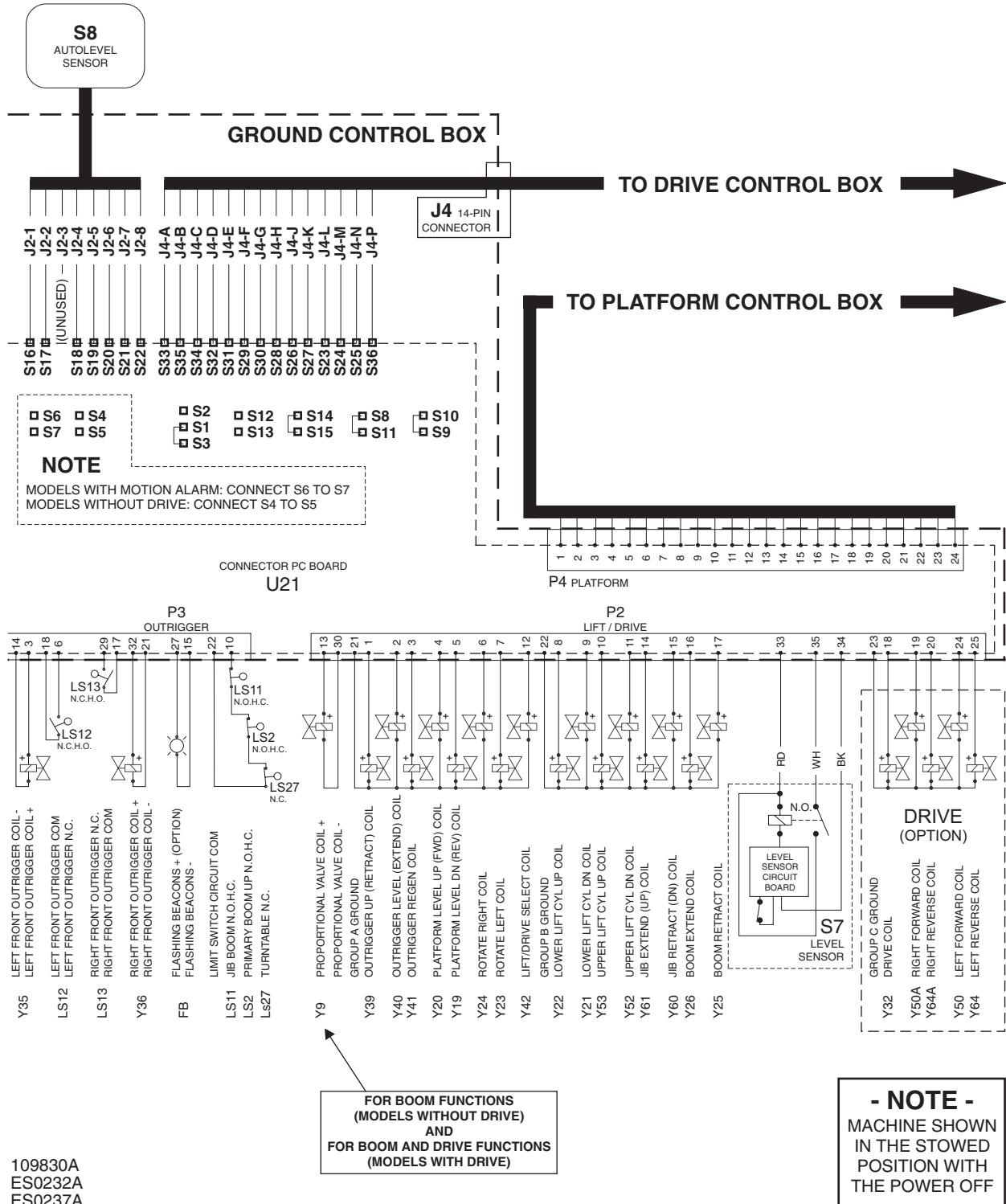
# Electrical Schematic

Diesel Models

(from serial number T5002-25 to TMZ5003-228)

Part 2 of 2

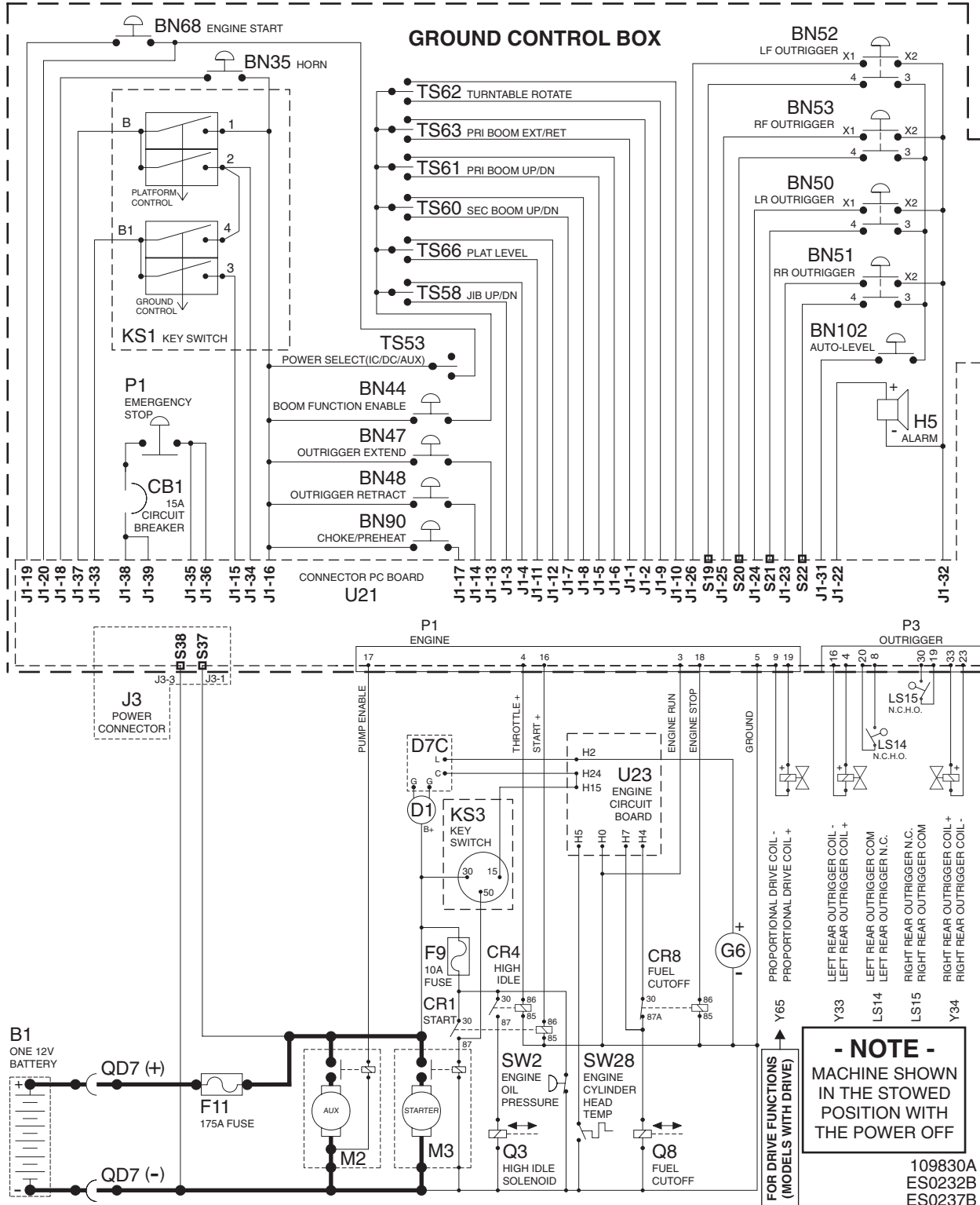
REV A



# Electrical Schematic

Diesel Models  
(after serial number TMZ5003-228)  
Part 1 of 2

REV A





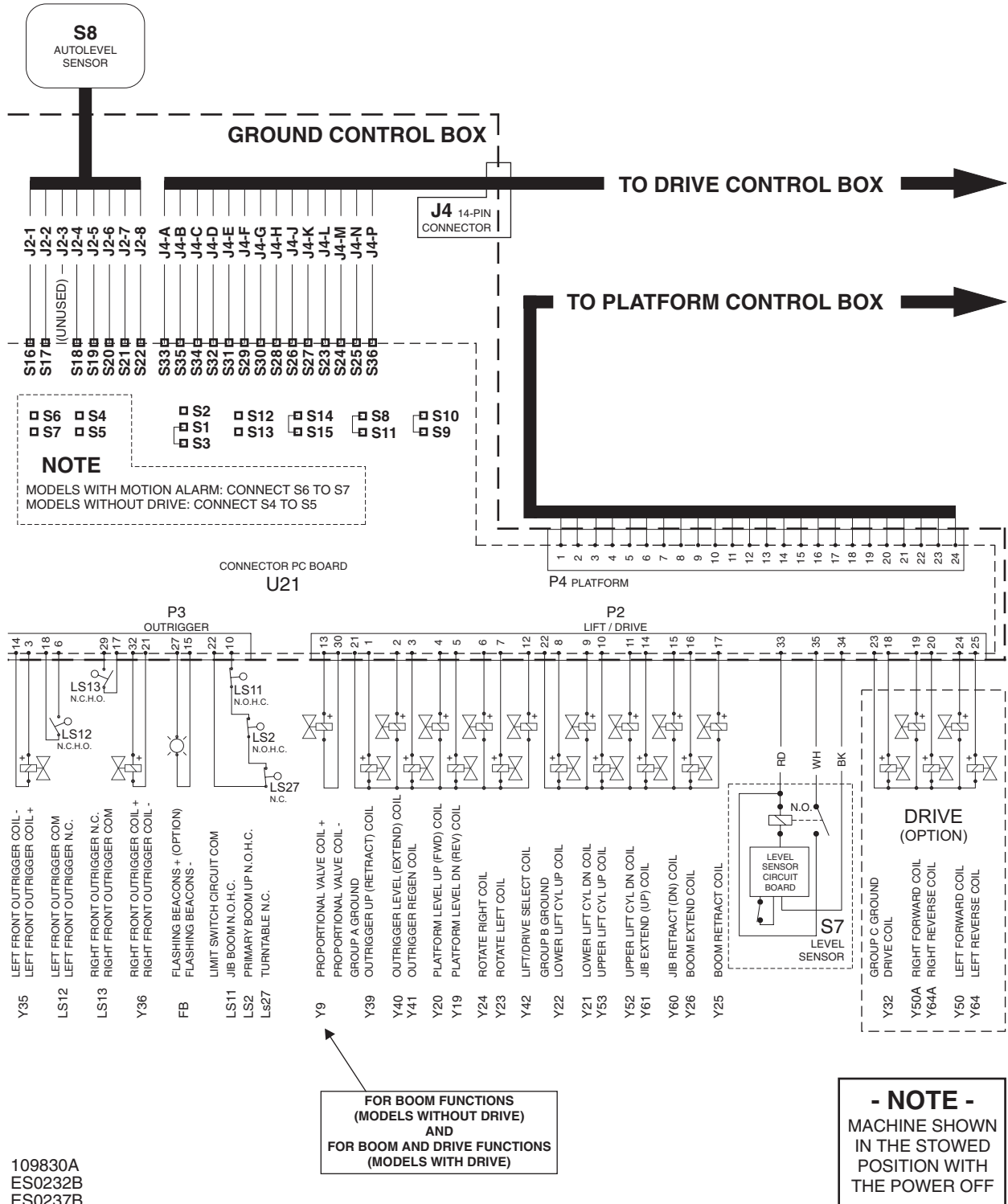
# Electrical Schematic

Diesel Models

(after serial number TMZ5003-228)

Part 2 of 2

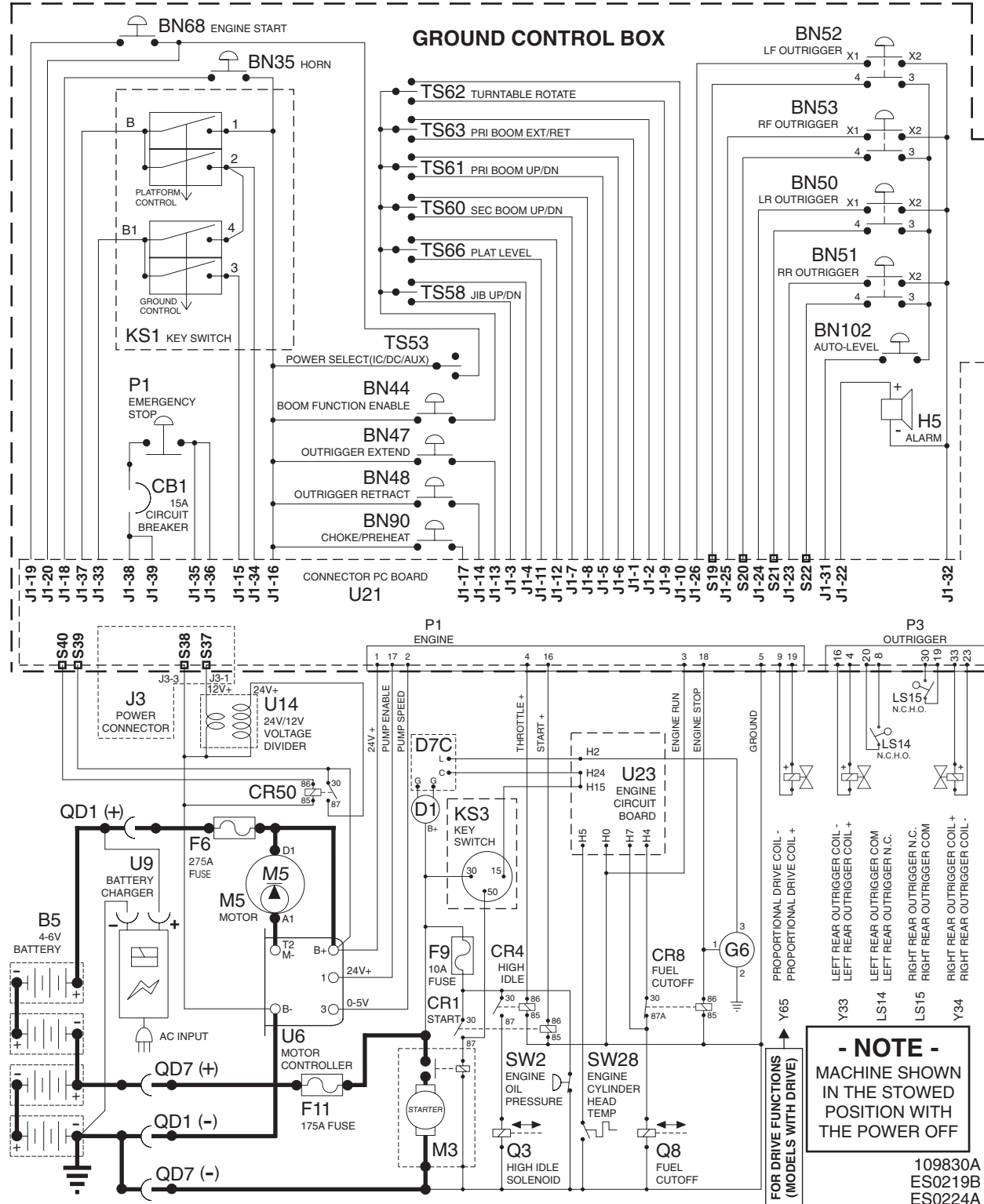
REV A



# Electrical Schematic

Diesel Bi-Fuel Models  
(before serial number T5000-91)  
Part 1 of 2

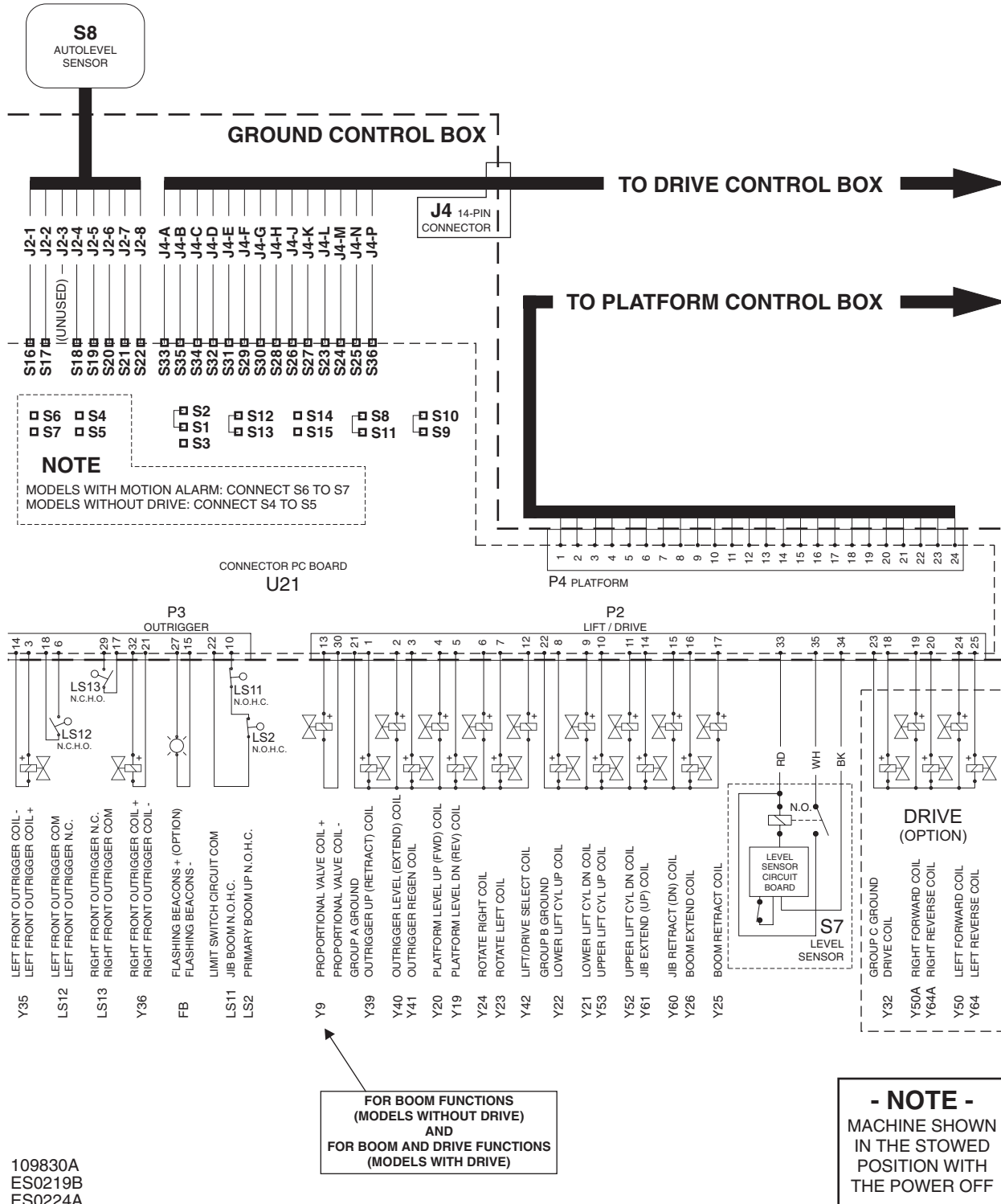
REV A



# Electrical Schematic

Diesel Bi-Fuel Models  
(before serial number T5000-91)  
Part 2 of 2

REV A



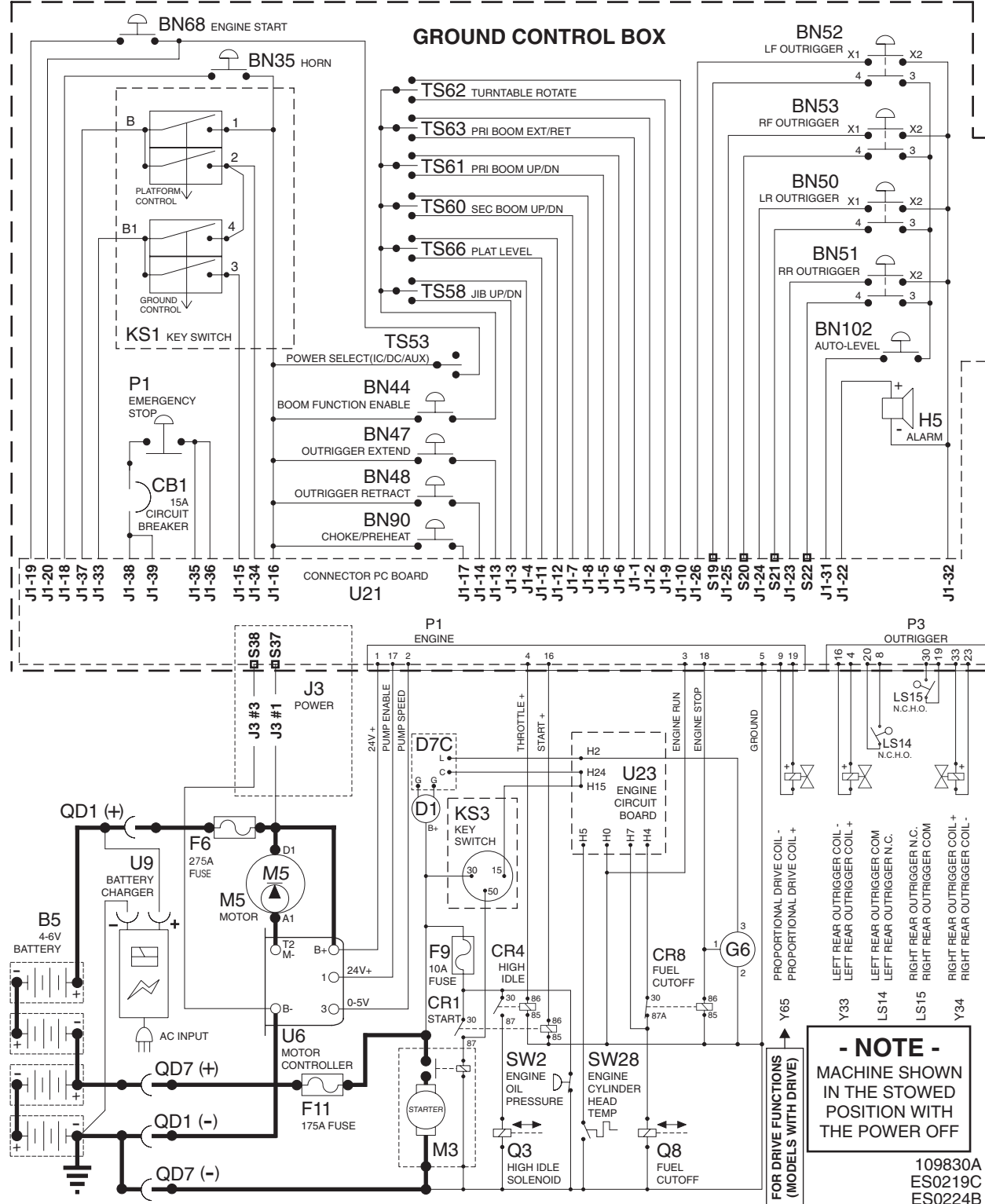
109830A  
ES0219B  
ES0224A



# Electrical Schematic

Diesel Bi-Fuel Models  
(from serial number T5000-91 to T5002-24)  
Part 1 of 2

REV A



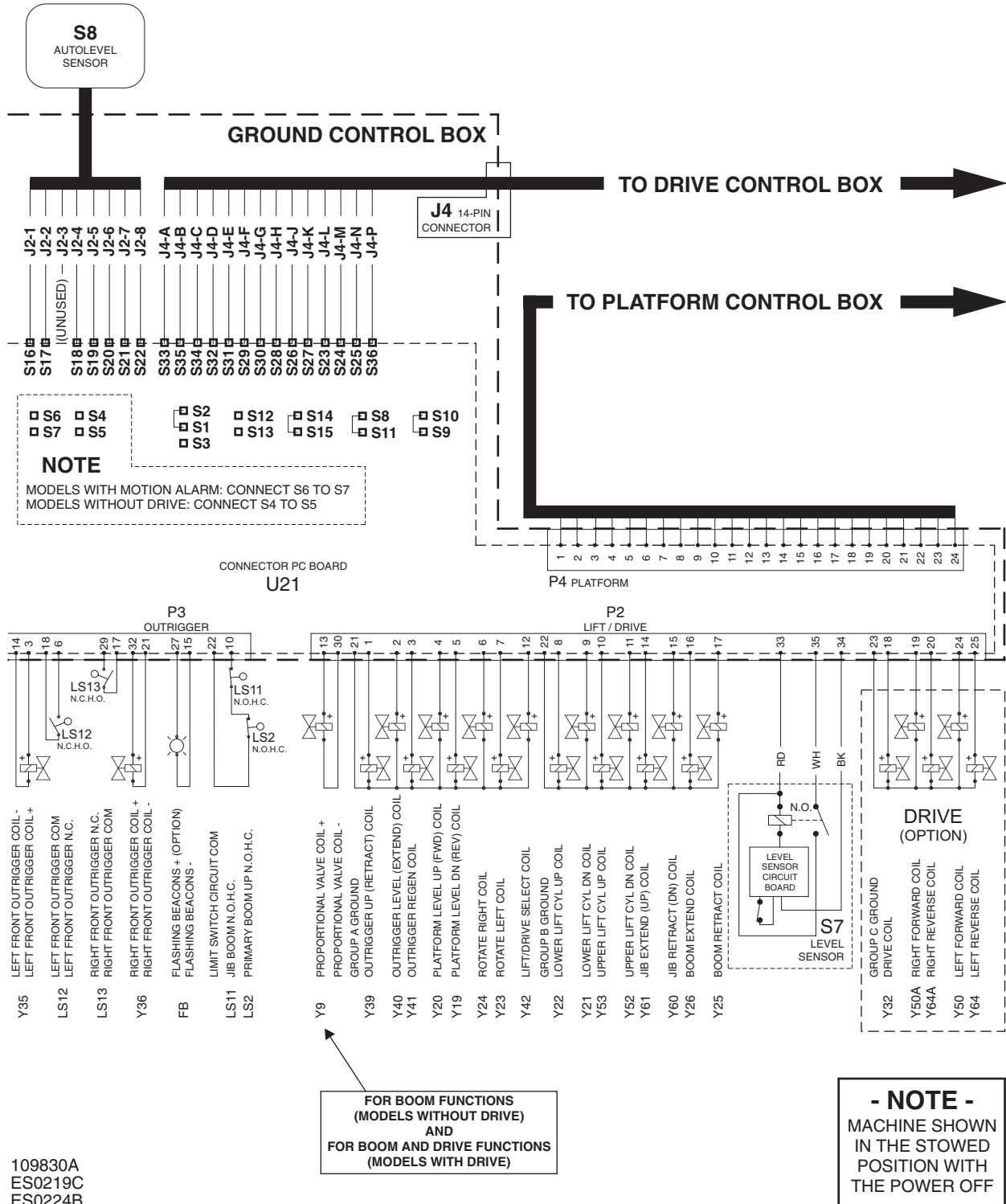
# Electrical Schematic

Diesel Bi-Fuel Models

(from serial number T5000-91 to T5002-24)

Part 2 of 2

REV A



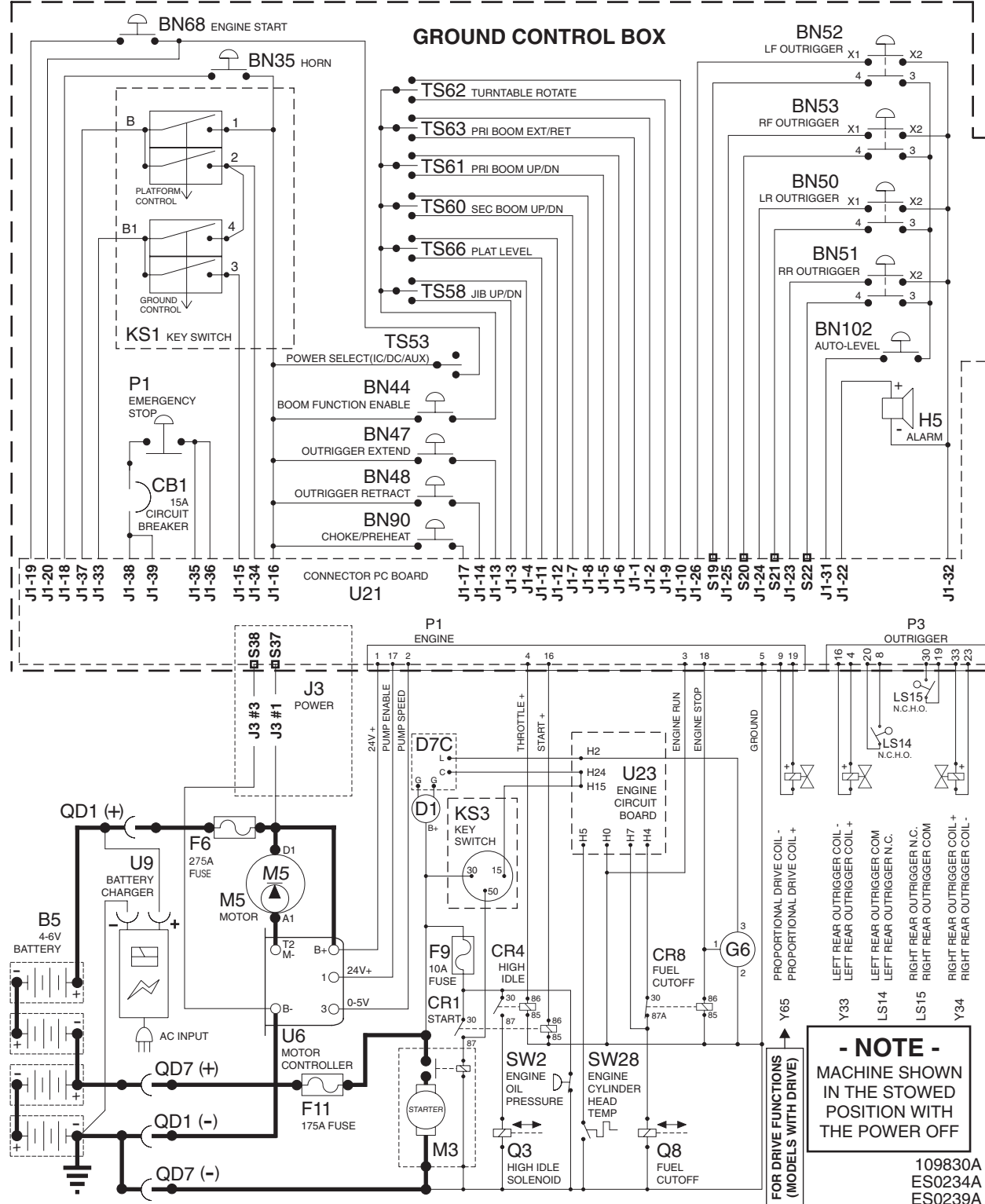
# Electrical Schematic

Diesel Bi-Fuel Models

REV A

(from serial number T5002-25 to TMZ5003-228)

Part 1 of 2



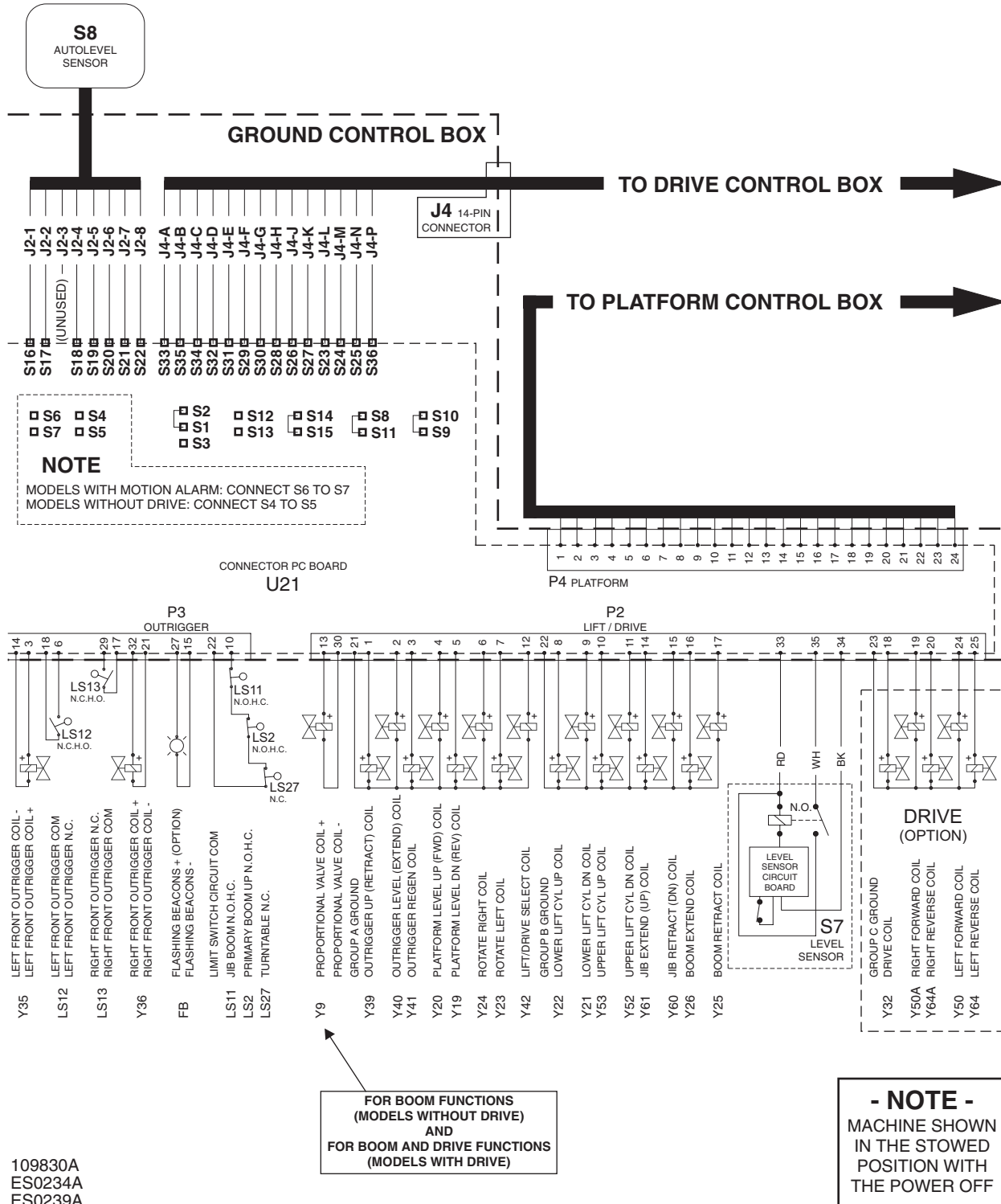
# Electrical Schematic

Diesel Bi-Fuel Models

(from serial number T5002-25 to TMZ5003-228)

Part 2 of 2

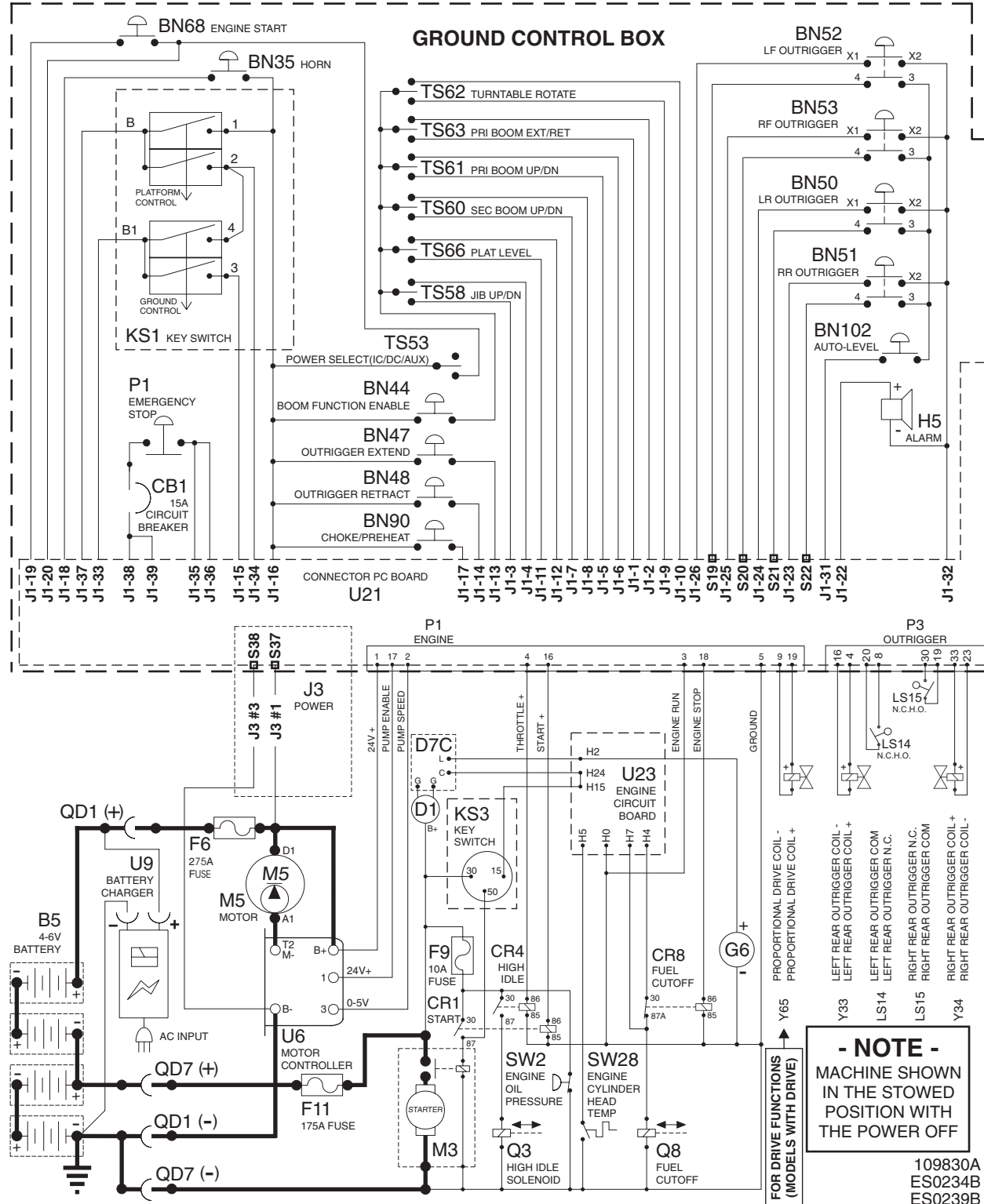
REV A



# Electrical Schematic

Diesel Bi-Fuel Models  
(after serial number TMZ5003-228)  
Part 1 of 2

REV A

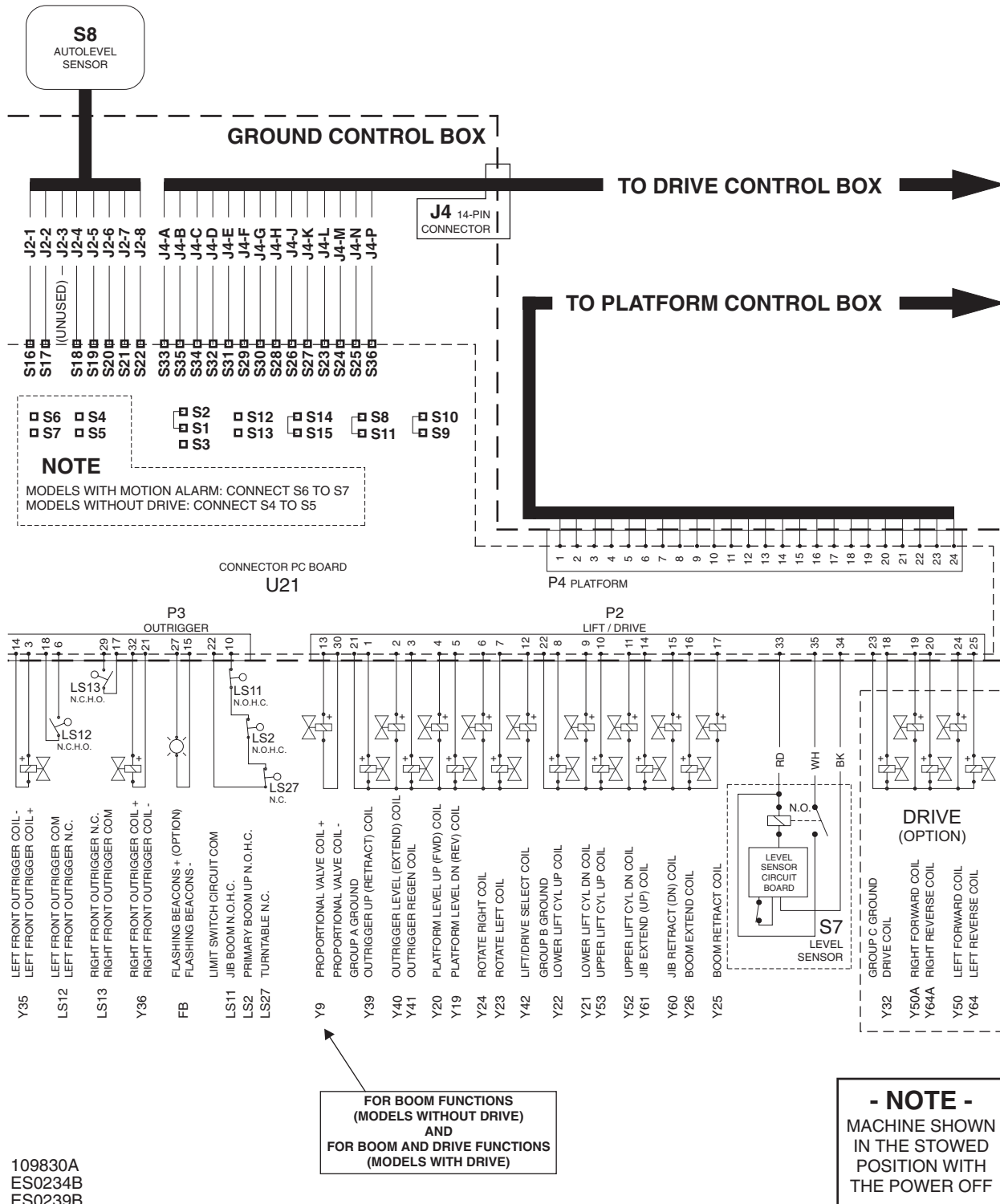




# Electrical Schematic

Diesel Bi-Fuel Models  
(after serial number TMZ5003-228)  
Part 2 of 2

REV A



This page intentionally left blank.

# California Proposition 65

# WARNING

The exhaust from this product contains chemicals known to the State of California to cause cancer, birth defects or other reproductive harm.

**Genie Scandinavia**

**Phone** +46 31 575100  
**Fax** +46 31 579020

**Genie France**

**Phone** +33 (0)2 37 26 09 99  
**Fax** +33 (0)2 37 26 09 98

**Genie Iberica**

**Phone** +34 93 579 5042  
**Fax** +34 93 579 5059

**Genie Germany**

**Phone** +49 (0)4202 88520  
**Fax** +49 (0)4202 8852-20

**Genie U.K.**

**Phone** +44 (0)1476 584333  
**Fax** +44 (0)1476 584334

**Genie Mexico City**

**Phone** +52 55 5666 5242  
**Fax** +52 55 5666 3241

**Genie North America**

**Phone** 425.881.1800  
**Toll Free** USA and Canada  
800.536.1800  
**Fax** 425.883.3475

**Genie Australia Pty Ltd.**

**Phone** +61 7 3375 1660  
**Fax** +61 7 3375 1002

**Genie China**

**Phone** +86 21 53852570  
**Fax** +86 21 53852569

**Genie Malaysia**

**Phone** +65 98 480 775  
**Fax** +65 67 533 544

**Genie Japan**

**Phone** +81 3 3453 6082  
**Fax** +81 3 3453 6083

**Genie Korea**

**Phone** +82 25 587 267  
**Fax** +82 25 583 910

**Genie Brasil**

**Phone** +55 11 41 665 755  
**Fax** +55 11 41 665 754

**Genie Holland**

**Phone** +31 183 581 102  
**Fax** +31 183 581 566

Distributed By:

**Parts and Service Manual Supplement TMZ-50/30**

**Part No.  
115052**

**Rev A**