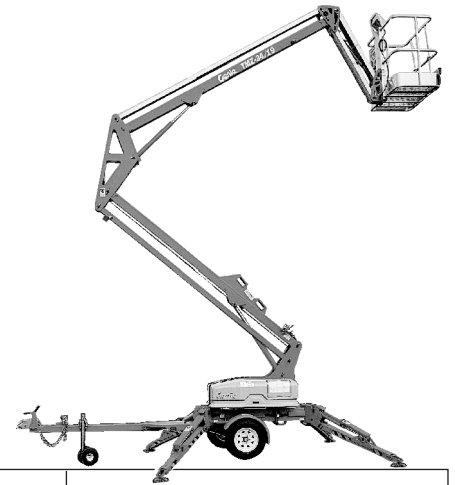


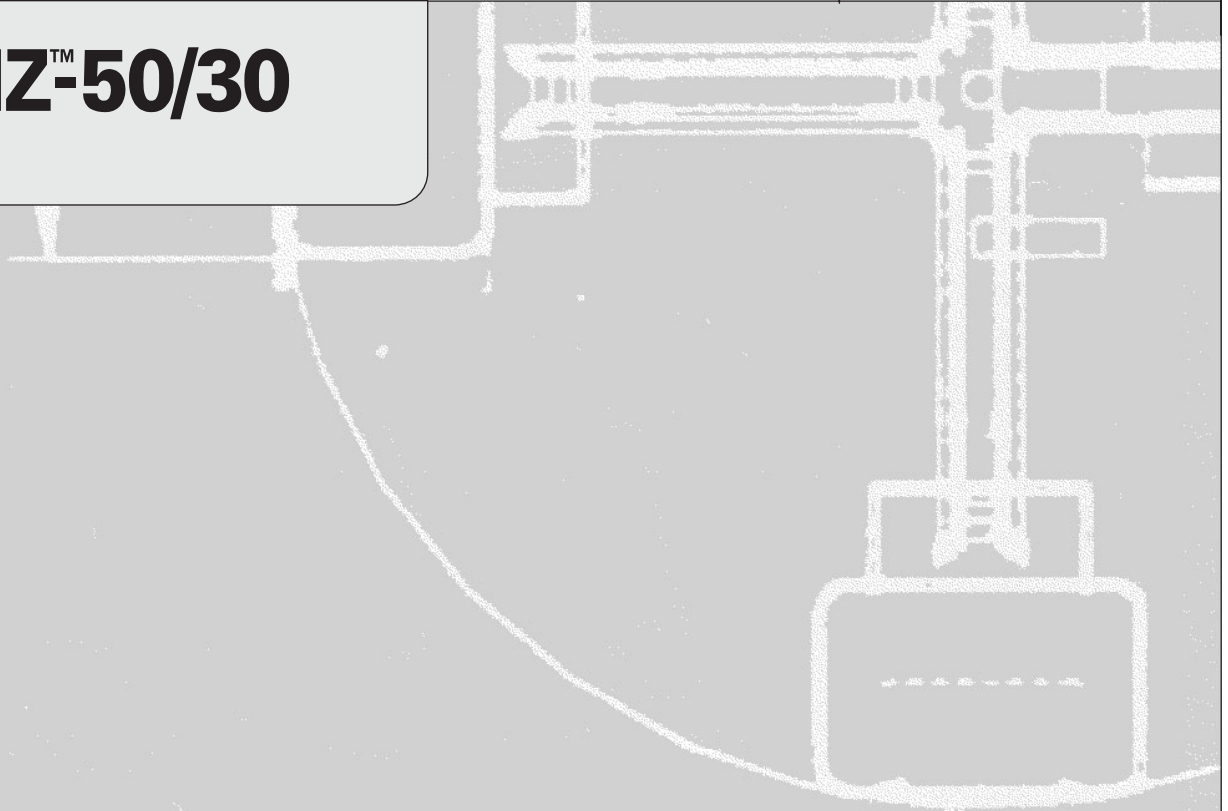
Genie®



Parts and Service Manual Supplement

Part No. 115052
Rev A
November 2006

TMZ™-50/30



Important

Read, understand and obey the safety rules and operating instructions in the *TMZ-50/30 Operator's Manual* before attempting any maintenance or repair procedure.

This manual provides detailed parts and service information for qualified service professionals.

Basic mechanical, hydraulic and electrical skills are required to perform most procedures. However, several procedures require specialized skills, tools, lifting equipment and a suitable workshop. In these instances, we strongly recommend that maintenance and repair be performed at an authorized Genie dealer service center.

This Parts and Service Manual Supplement provides service parts information and electrical schematics for the recently released TMZ-50/30 Control System, which are not included in your parts or service manuals. Please add this parts information and electrical schematics to the parts and service manuals for your machine.

Technical Publications

Genie Industries has endeavored to deliver the highest degree of accuracy possible. However, continuous improvement of our products is a Genie policy. Therefore, product specifications are subject to change without notice.

Readers are encouraged to notify Genie of errors and send in suggestions for improvement. All communications will be carefully considered for future printings of this and all other manuals.

Contact Us:

PO Box 97030
Redmond, WA 98073-9730 USA

www.genieindustries.com
e-mail: techsup@genieind.com

Copyright © 1998 by Genie Industries

115052 Rev A November 2006
First Edition, First Printing

"Genie" is a registered trademark of Genie Industries in the USA and many other countries.
"TMZ" is a trademark of Genie Industries.

 Printed on recycled paper

Printed in U.S.A.

Table of Contents

Introduction

Important Information	2
-----------------------------	---

Section 1

Rev	Service Parts	
A	Decals	6
A	Platform Controls	12
A	Ground Controls	16
A	Drive Controls, View 1	22
A	Drive Controls, View 2	26

Section 2

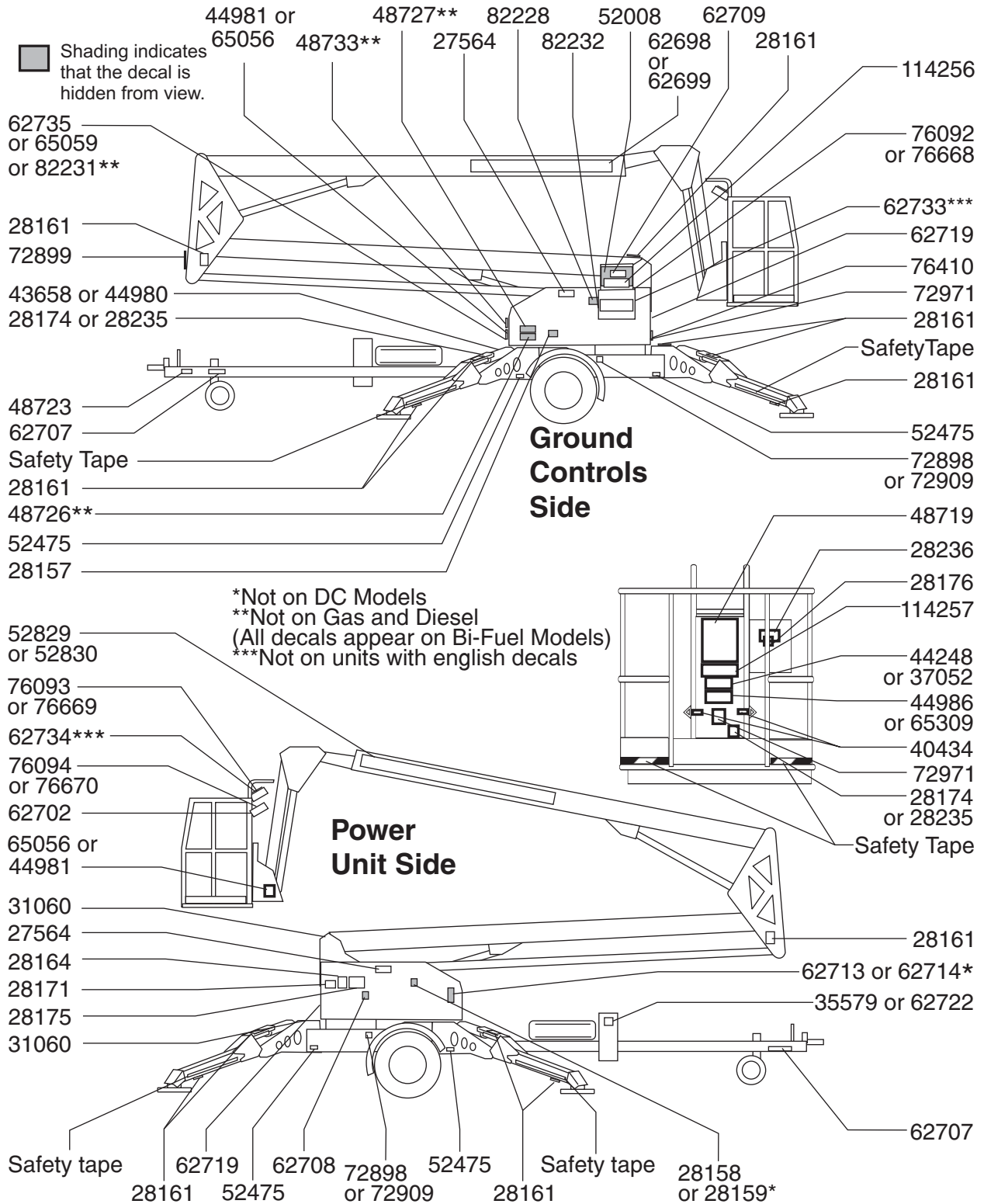
Rev	Schematics	
A	Introduction	29
A	Wiring Diagram - Ground Controls, View A-A	30
A	Wiring Diagram - Ground Controls, View B-B	31
A	Wiring Diagram - Ground Controls, View C-C	32
A	Wiring Diagram - Platform Controls, View D-D	33
A	Wiring Diagram - Platform Controls, View E-E	34
A	Wiring Diagram - Platform Controls, View F-F	35
A	Wiring Diagram - Drive Controls, View G-G	36
A	Wiring Diagram - Drive Controls, View H-H	37
A	Wiring Diagram - Drive Controls, View J-J	38

Section 6	Rev	Schematics, continued	
	A	Electrical Schematic - Platform Controls (all models)	6 - 40
	A	Electrical Schematic - Drive Controls (all models)	6 - 41
	A	Electrical Schematic - DC Models (before serial number T5000-91)	6 - 42
	A	Electrical Schematic - DC Models (from serial number T5000-91 to T5002-24)	6 - 44
	A	Electrical Schematic - DC Models (from serial number T5002-25 to TMZ5003-228)	6 - 46
	A	Electrical Schematic - DC Models (after serial number TMZ5003-228)	6 - 48
	A	Electrical Schematic - Gasoline Models (before serial number T5000-91)	6 - 50
	A	Electrical Schematic - Gasoline Models (from serial number T5000-91 to T5002-24)	6 - 52
	A	Electrical Schematic - Gasoline Models (from serial number T5002-25 to TMZ5003-228)	6 - 54
	A	Electrical Schematic - Gasoline Models (after serial number TMZ5003-228)	6 - 56
	A	Electrical Schematic - Gasoline Bi-Fuel Models (before serial number T5000-91)	6 - 58
	A	Electrical Schematic - Gasoline Bi-Fuel Models (from serial number T5000-91 to T5002-24)	6 - 60
	A	Electrical Schematic - Gasoline Bi-Fuel Models (from serial number T5002-25 to TMZ5003-228)	6 - 62
	A	Electrical Schematic - Gasoline Bi-Fuel Models (after serial number TMZ5003-228)	6 - 64

Section 6	Rev	Schematics, continued	
	A	Electrical Schematic - Diesel Models (before serial number T5000-91)	6 - 66
	A	Electrical Schematic - Diesel Models (from serial number T5000-91 to T5002-24)	6 - 68
	A	Electrical Schematic - Diesel Models (from serial number T5002-25 to TMZ5003-228)	6 - 70
	A	Electrical Schematic - Diesel Models (after serial number TMZ5003-228)	6 - 72
	A	Electrical Schematic - Diesel Bi-Fuel Models (before serial number T5000-91)	6 - 74
	A	Electrical Schematic - Diesel Bi-Fuel Models (from serial number T5000-91 to T5002-24)	6 - 76
	A	Electrical Schematic - Diesel Bi-Fuel Models (from serial number T5002-25 to TMZ5003-228)	6 - 78
	A	Electrical Schematic - Diesel Bi-Fuel Models (after serial number TMZ5003-228)	6 - 80

Decals

REV A



REV A

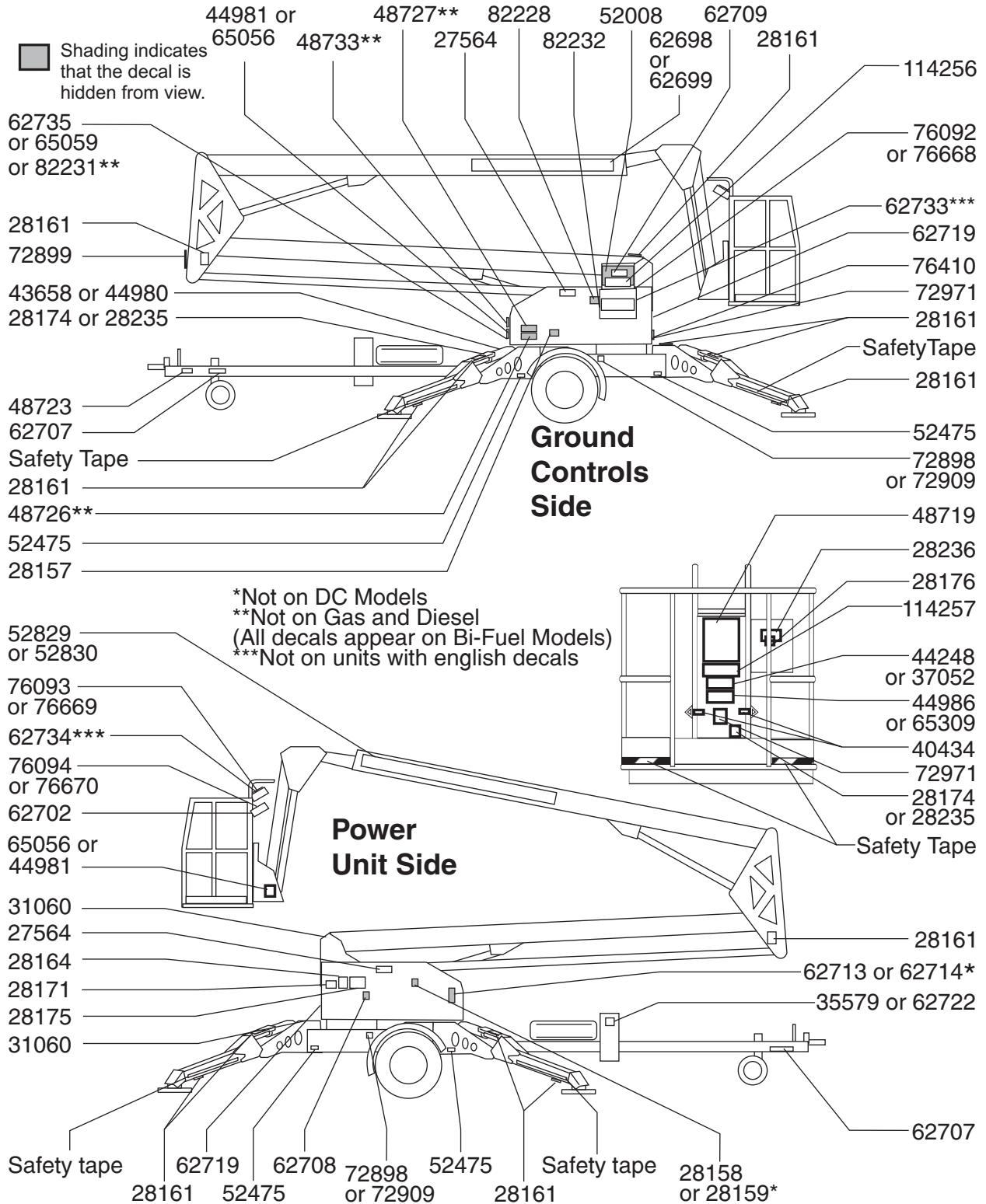
DECALS

Index	Part No.	Description	Quantity
1	27564	Danger - Electrocuting Hazard	2
2	28157	Label - Dexron	1
3	28158	Label - Unleaded	1
4	28159*	Label - Diesel	1
5	28161	Warning - Crushing Hand	12
6	28164	Notice - Hazardous Materials	1
7	28171	Label - No Smoking	1
8	28174	Power to Platform, 230V AC	2
9	28175	Caution - Compartment Access	1
10	28176	Notice - Missing Manuals	1
11	28235	Power to Platform, 115V AC	2
12	28236	Warning - Failure To Read	1
13	31060	Danger, Do not alter limit switch	2
14	35579	Notice - Max Cap, Hook, 500 lbs / 227 kg	1
15	37052	Notice - Max Cap, 500 lbs / 227 kg	1
16	40434	Label - Lanyard Anchorage Point	2
17	43658	Notice - Power to Battery Charger, 230V AC	1
18	44248	Notice - Max Capacity, 440 lbs / 200 kg	1
19	44980	Notice - Power to Battery Charger, 115V AC	1
20	44981	Airline to Platform	2
21	44986	Notice - Side Force 90 lbs / 400N , CE	1
22	48719	Danger - General Safety, Platform	1
23	48723	Label - Parking Brake (surge)	1
24	48726**	Notice - Battery Charger Operating Instructions	1
25	48727**	Danger - Battery/Charger Safety	1
26	48733**	Danger - Tip-over (batteries)	1

This list continues on the next page.

DECALS

REV A



REV A

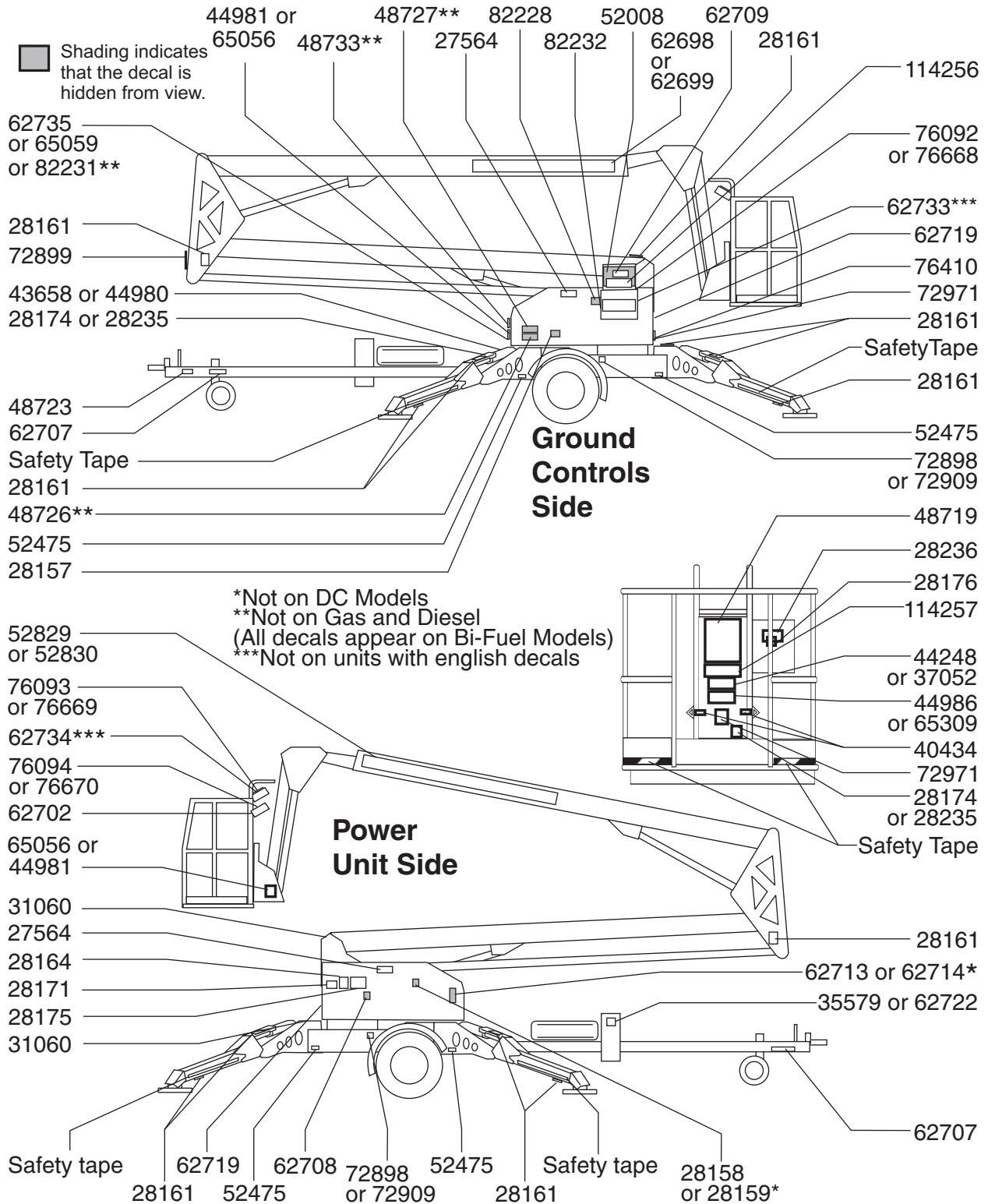
DECALS

Index	Part No.	Description	Quantity
27	52008	Danger - General Safety, Ground	1
28	52475	Label - Transport Tie-down	4
29	52569	Ground Control Panel	1
30	52829	Cosmetic - Genie TMZ-50/30 - Large	1
31	52830	Cosmetic - Genie TMZ-17/10 - Large	1
32	59625	Platform Control Panel	1
33	62698	Cosmetic - Genie TMZ-50/30 - Small	1
34	62699	Cosmetic - Genie TMZ-17/10 - Small	1
35	62700	Notice - Operating Instructions, Ground	1
36	62701	Notice - Operating Instructions, Platform	1
37	62702	Danger/Notice - Drive System	1
38	62707	Warning - Towing Hazard	2
39	62708	Label - Manual Lowering Valves	1
40	62709	Notice - Material Lifting Operation	1
41	62713	Notice - Honda Engine Specifications	1
42	62714	Notice - Hatz Engine Specifications	1
43	62719	Label - Arrow	2
44	62722	Notice - Max Capacity, 440 lbs / 200 kg	1
45	62733***	Patch, Ground Control Panel	1
46	62734***	Patch, Platform Control Panel	1
47	62735	Notice - Battery Connection Diagram, DC	1
48	65056	Label - Waterline to Platform	2
49	65059	Notice - Battery Connection Diagram, Bi-fuel	1
50	65309	Notice - Side Force, 90 lbs / 400N, ANSI and CSA	1
51	72898	Notice - Tire specification, ANSI and CSA	2

This list continues on the next page.

DECALS

REV A



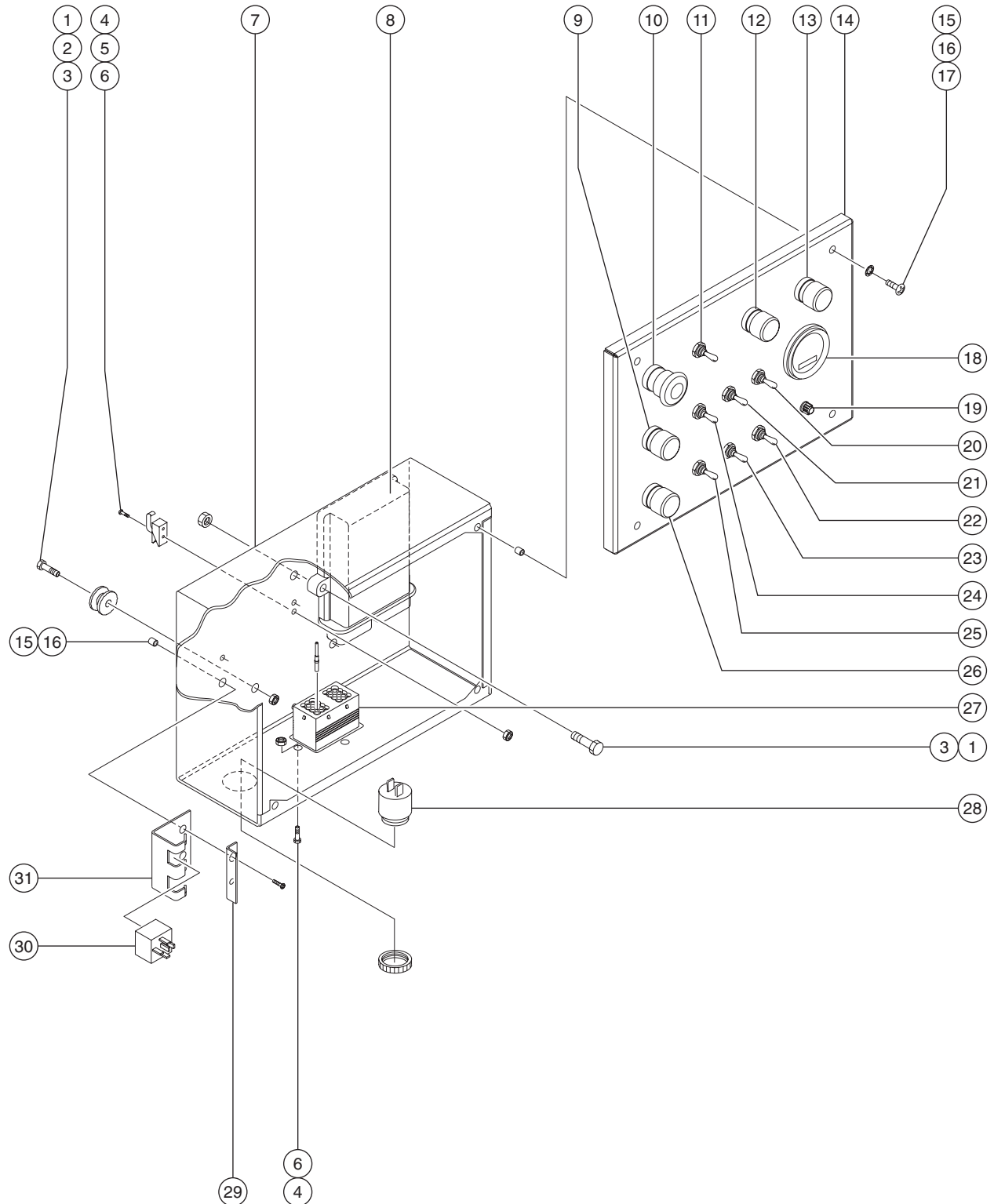
REV A

DECALS

Index	Part No.	Description	Quantity
52	72899	Decal - Notice, Transport Instructions	1
53	72909	Notice - Tire specification, CE	2
54	72971	Label - Transport to Canada	2
55	76092	Ground Control Panel	1
56	76093	Platform Control Panel	1
57	76094	Drive Control Panel	1
58	76410	Serial Label	1
59	76668	Ground Control Panel	1
60	76669	Platform Control Panel	1
61	76670	Danger/Notice - Drive System	1
62	82228	Label - Fault Codes	1
63	82231**	Notice - Battery Connection Diagram, DC Models with Drive	1
64	82232	Label - LED Diagnostic Readout	1
65	114256	Notice - Operating Instructions, Ground	1
66	114257	Notice - Operating Instructions, Platform	1

Platform Controls

REV A



REV A

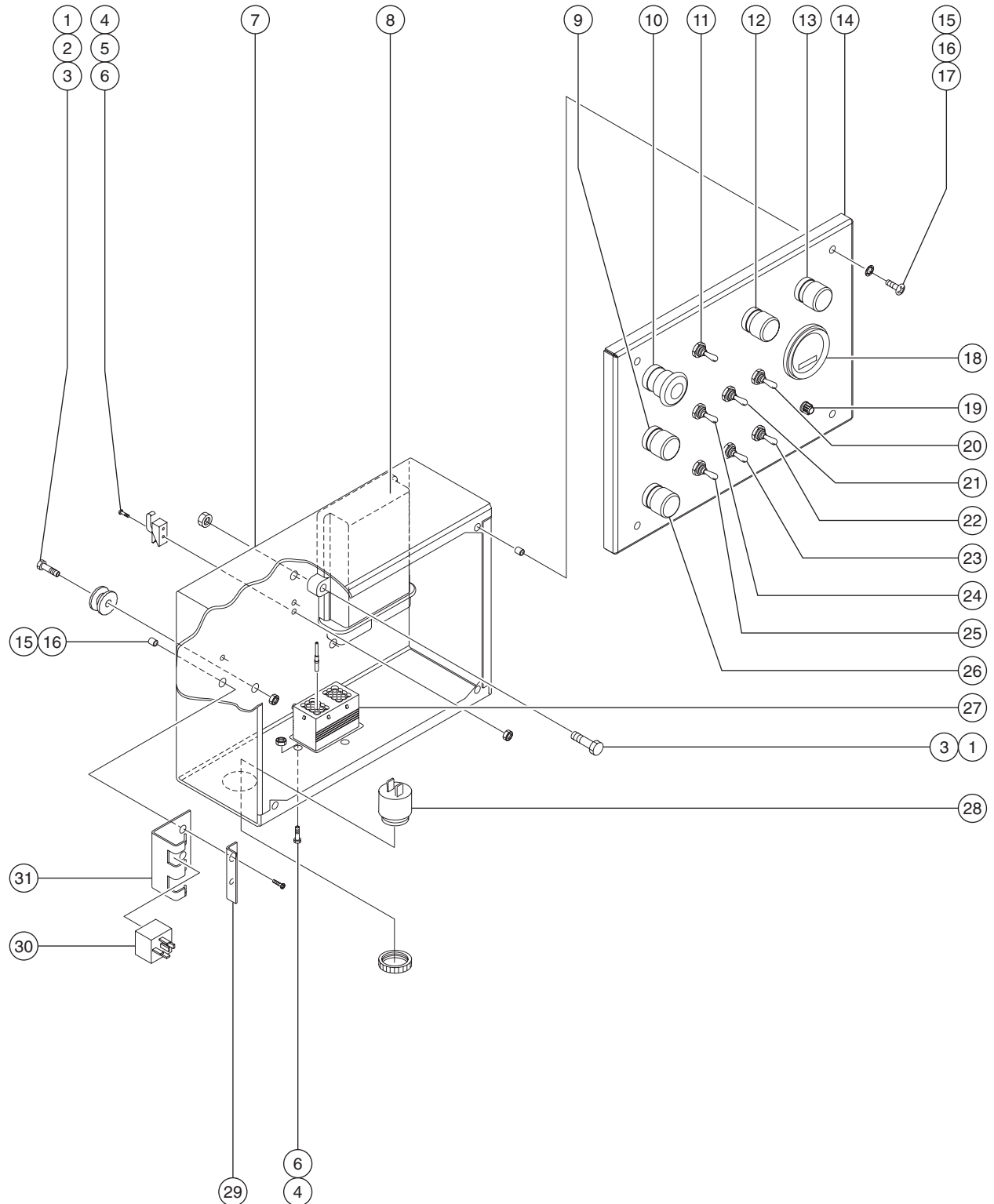
PLATFORM CONTROLS

Item	Part No.	Description	Quantity	This Figure
—	76674	Platform Control Box Assembly, IC - Complete	—	—
—	76672	Platform Control Box Assembly, DC - Complete	—	—
—	76649	Platform Control Box Assembly, Bi-Fuel - Complete	—	—
—	42428	Resistor, 10k ohms, 1 Watt	—	—
—	104333	Resistor, 1k ohms, 2 Watt	—	—
1	6888	Screw - HHC, 1/4 -20 x 1 inch, GR 5	5	5
2	66866	Button - Joystick Mount	3	3
3	6889	Low Profile Nylock Nut, 1/4 -20	5	5
4	49820	Screw - PHPM, 6-32 x 0.5 inch, GR 2	5	5
5	47218	Draw Latch - Over Center (includes keeper and latch)	1	1
—	62819	Keeper - Over Center Latch	—	—
6	12344	Nylock Nut, 6-32	6	6
7	76645	Platform Control Box	1	1
8	76646	Dual Pulse Width Modulation Controller	1	1
9	66813	Push Button - Black with Seal (horn)	1	1
—	66815	Base with 1 N.O Contact	—	—
—	66816	N.O. Contact	—	—
10	66812	Push Button - Red Mushroom Head	1	1
—	66817	Base - Push Button (includes 1 N.C. contact)	—	—
—	66818	N.C. Contact	—	—
11	13038	Toggle Switch - DPDT, 3 position (power connection)	1	1
—	27246	Boot - Rubber	—	—
12	66813	Push Button - Black with Seal (engine start) (IC and Bi-fuel models)	1	1
—	66815	Base with 1 N.O Contact	—	—
—	66816	N.O. Contact	—	—
—	15243	Plug - Nylon, Black Domed (DC models)	—	—
13	66813	Push Button - Black with Seal (choke/preheat) (IC and Bi-fuel models)	1	1
—	66815	Base with 1 N.O Contact	—	—
—	66816	N.O. Contact	—	—
—	15243	Plug - Nylon, Black Domed (DC models)	—	—
14	76644	Platform Control Box Lid	1	1
15	49819	Screw - PHPM, 10-32 x 0.5 inch, GR 2	6	6
16	99207	Internal Star Washer, #10	4	4

This list continues on the next page.

PLATFORM CONTROLS

REV A



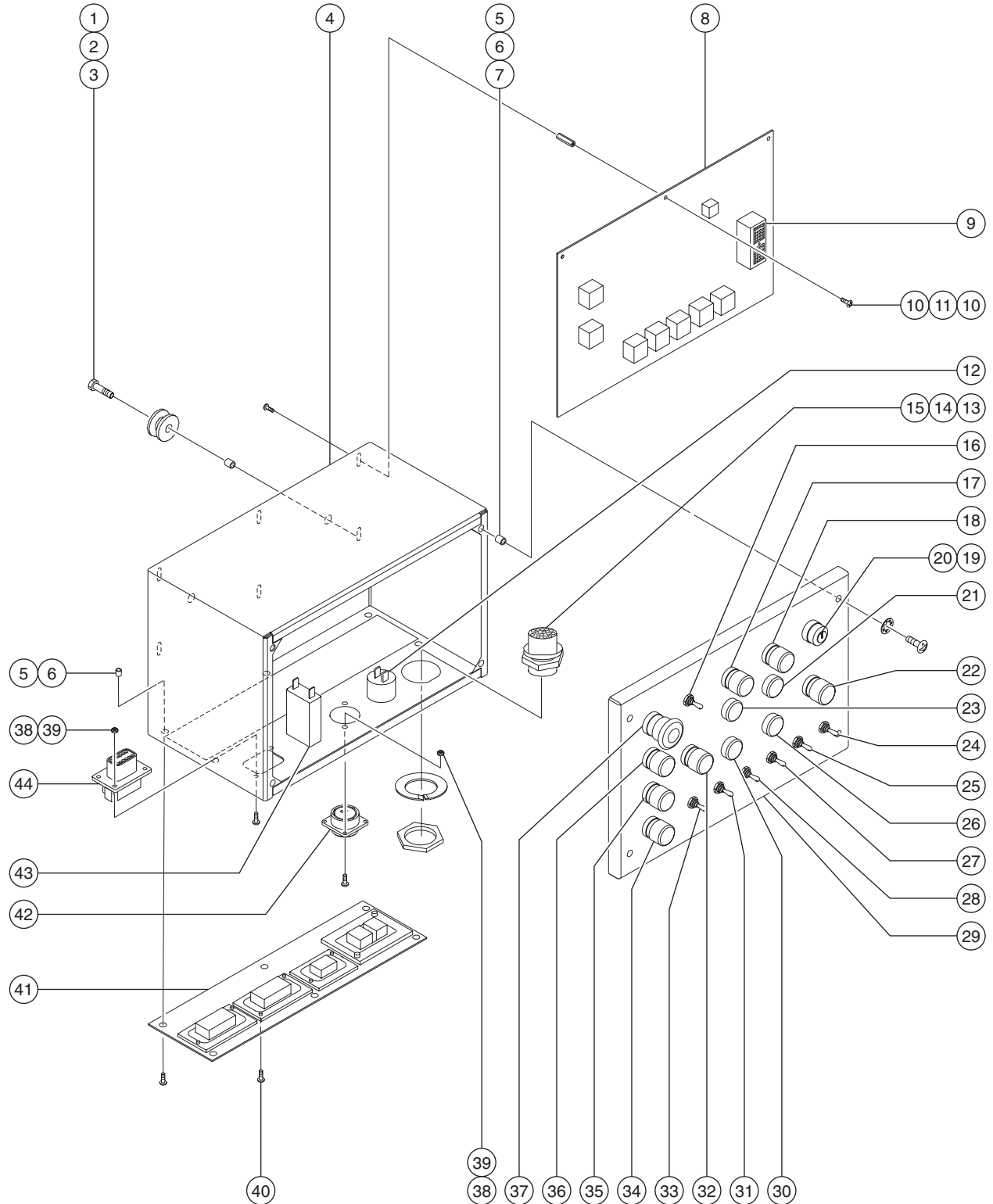
REV A

PLATFORM CONTROLS

Item	Part No.	Description	Quantity This Figure
17	23405	Nutsert, 10-32.....	6
18	76647	Indicator - Battery Discharge (DC and Bi-fuel models)	1
—	45840	Plug (IC models).....	—
19	104327	Potentiometer Assembly	1
20	96418	Toggle Switch - SPDT, 2 position, Momentary (turntable rotate)	1
—	27246	Boot - Rubber	—
21	96418	Toggle Switch - SPDT, 2 position, Momentary (platform level)	1
—	27246	Boot - Rubber	—
22	96418	Toggle Switch - SPDT, 2 position, Momentary (secondary boom up/down)	1
—	27246	Boot - Rubber	—
23	96418	Toggle Switch - SPDT, 2 position, Momentary (primary boom up/down)	1
—	27246	Boot - Rubber	—
24	96418	Toggle Switch - SPDT, 2 position, Momentary (jib boom up/down)	1
—	27246	Boot - Rubber	—
25	96418	Toggle Switch - SPDT, 2 position, Momentary (primary boom extend/retract)	1
—	27246	Boot - Rubber	—
26	66813	Push Button - Black with Seal (boom function enable)	1
—	66815	Base with 1 N.O Contact	—
—	66816	N.O. Contact	—
27	73753	Connector - Receptacle with Flange, 24 way	1
—	83130	Terminal Pin, 16-18 Gauge	—
28	45383	Alarm - Warble Tone, 5-30V DC	1
—	72326	Nut - Retainer	—
29	104493	Holder - Relay	1
30	56302	Relay - 24V DC (DC and Bi-fuel models)	2
—	34052	Relay - 12V DC (IC models)	—
31	104492	Bracket - Relay Mount	1

Ground Controls

REV A



REV A

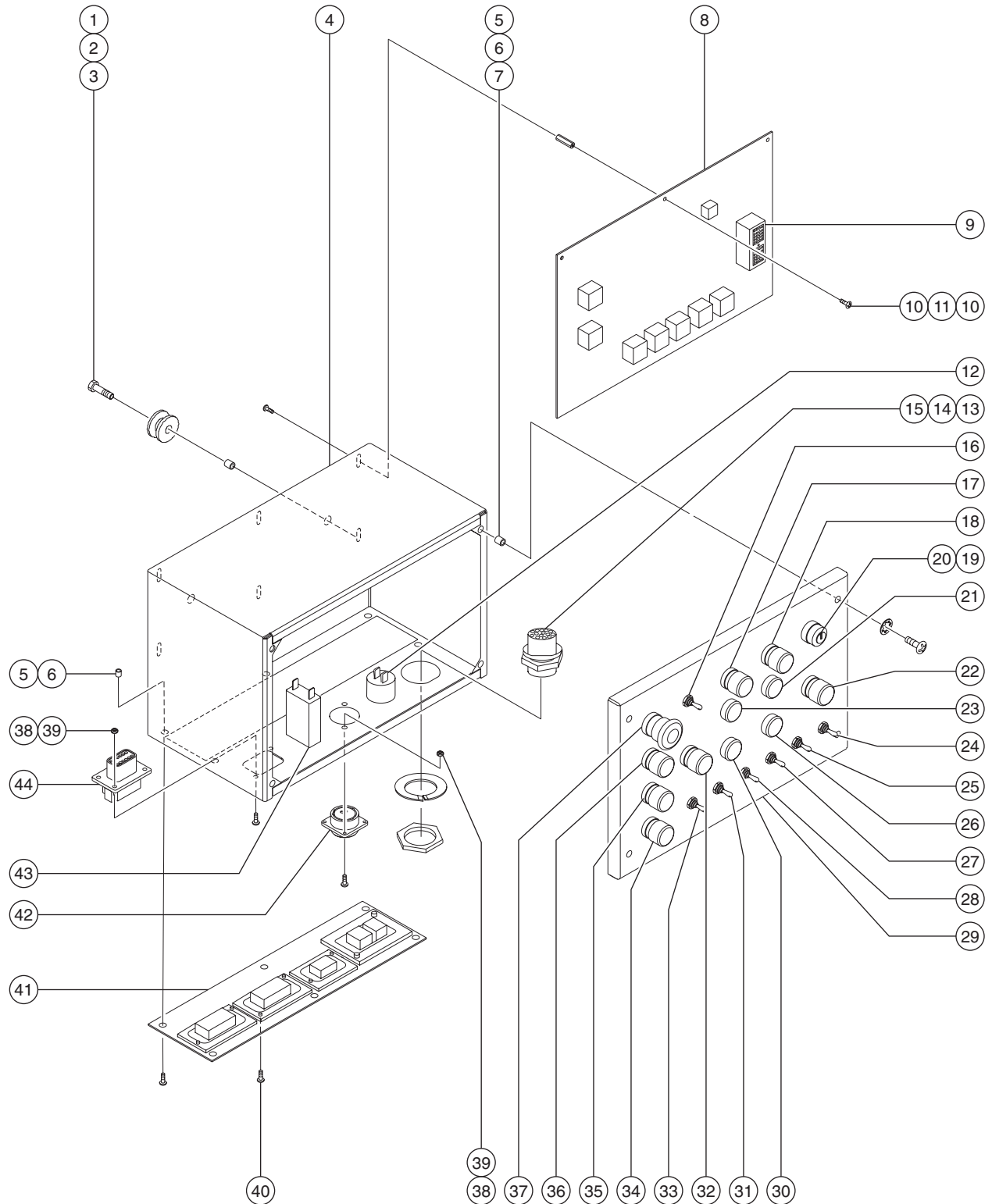
GROUND CONTROLS

Item	Part No.	Description	Quantity	This Figure
—	76673	Ground Control Box Assembly, IC - Complete	—	—
—	76671	Ground Control Box Assembly, DC - Complete	—	—
—	76640	Ground Control Box Assembly, Bi-Fuel - Complete	—	—
1	6888	Screw - HHC, 1/4 -20 x 1 inch, GR 5	3	3
2	66866	Button - Joystick Mount	3	3
3	23404	Nutsert, 1/4 -20	3	3
4	76631	Ground Control Box	1	1
5	23405	Nutsert, 10-32	10	10
6	99207	Internal Star Washer, #10	4	4
7	49819	Screw - PHPM, 10-32 x 0.5 inch, GR 2	4	4
8	76632	Printed Circuit Board - CPU (DC & Bi-fuel models)	1	1
—	76633	Printed Circuit Board - CPU (IC models)	—	—
9	73751	Connector - Plug , 40 way	1	1
—	73714	Socket - Terminal, 16-18 Gauge	—	—
—	60757	Seal - Plug	—	—
10	21018	Screw - PHPM, 10-24 x 0.375 inch	12	12
11	33585	Coupling Nut, 10-24 x 0.75 inch	6	6
12	45383	Alarm - Warble Tone, 50-30V DC	1	1
—	72326	Retainer Nut	1	1
13	76638	Wire Harness Assembly - Drive	1	1
—	87748	Receptacle Connector, 14 way	—	—
—	83130	Terminal Pin, 16-18 Gauge	—	—
14	87751	Panel Washer - Shell, Size 18	1	1
15	87750	Panel Nut - Plastic, Size 18	1	1
16	13038	Toggle Switch - DPDT, 3 position (power connection)	1	1
—	27246	Boot - Rubber	—	—
17	66813	Push Button - Black with Seal (engine start) (IC and Bi-fuel models)	1	1
—	66815	Base with 1 N.O Contact	—	—
—	66816	N.O. Contact	—	—
—	15243	Plug - Nylon, Black Domed (DC models)	—	—

This list continues on the next page.

GROUND CONTROLS

REV A



REV A

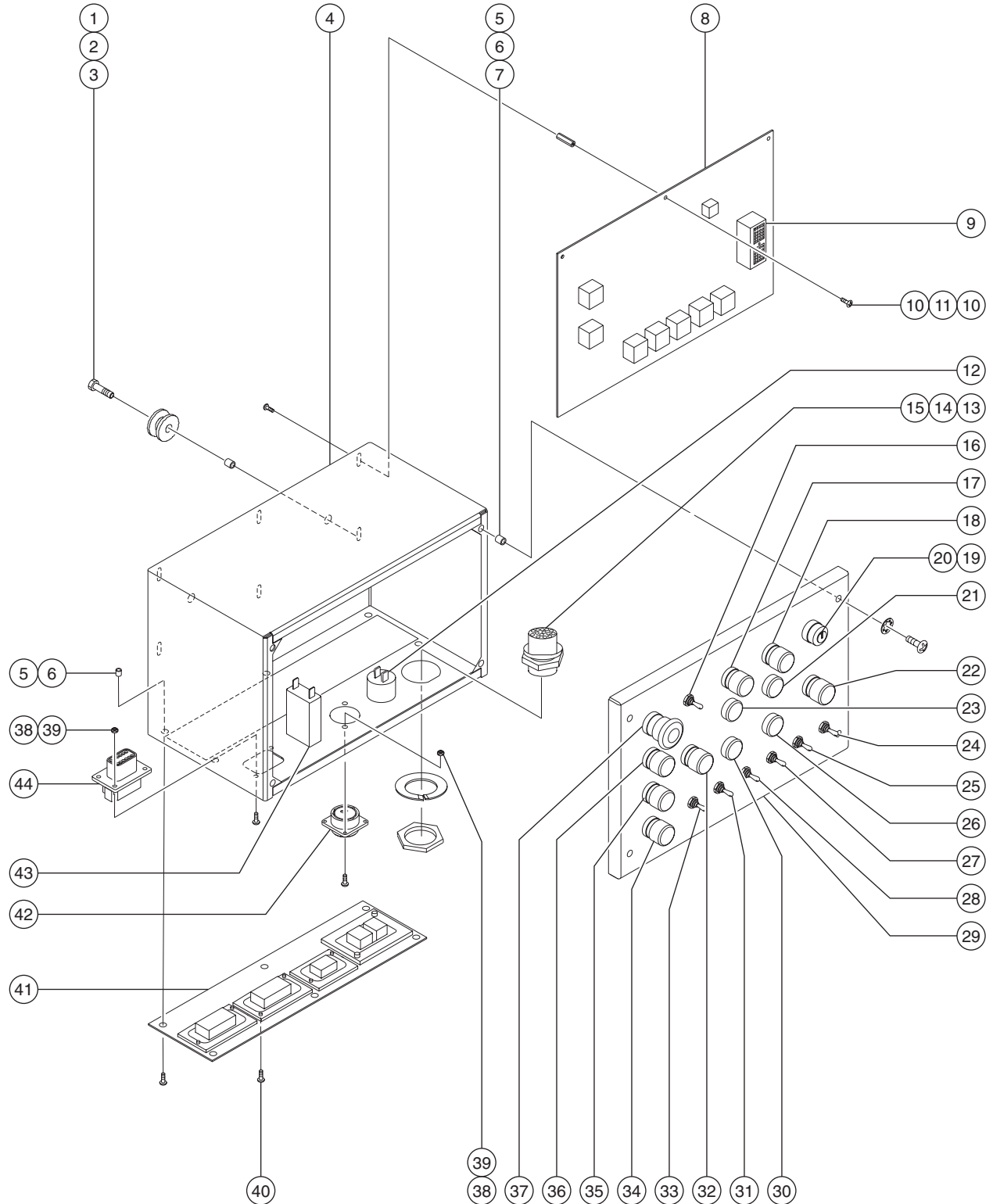
GROUND CONTROLS

Item	Part No.	Description	Quantity This Figure
18	66813	Push Button - Black with Seal (choke/preheat) (IC and Bi-fuel models)	1
—	66815	Base with 1 N.O Contact	—
—	66816	N.O. Contact	—
—	15243	Plug - Nylon, Black Domed (DC models)	—
19	96008	Key Switch, 3 Position (includes 1 pair of keys)	1
—	83093	Key (single)	—
—	37947	Key, Package of 10	—
20	96009	Rubber Washer	—
21	104091	Push Button, Green (outrigger right/rear)	1
—	104092	Base with 1 N.O. Contact and Green LED	—
22	66813	Push Button - Black with Seal (horn)	1
—	66815	Base with 1 N.O Contact1	—
—	66816	N.O. Contact	—
23	104091	Push Button, Green (outrigger right/front)	1
—	104092	Base with 1 N.O. Contact and Green LED	—
24	96418	Toggle Switch - SPDT, 2 position, Momentary (turntable rotate)	1
—	27246	Boot - Rubber	—
25	96418	Toggle Switch - SPDT, 2 position, Momentary (platform level)	1
—	27246	Boot - Rubber	—
26	104091	Push Button, Green (outrigger left/rear)	1
—	104092	Base with 1 N.O. Contact and Green LED	—
27	96418	Toggle Switch - SPDT, 2 position, Momentary (jib up/down)	1
—	27246	Boot - Rubber	—
28	96418	Toggle Switch - SPDT, 2 position, Momentary (secondary boom up/down)	1
—	27246	Boot - Rubber	—
29	76630	Ground Control Lid	1
30	104091	Push Button, Green (outrigger left/front)	1
—	104092	Base with 1 N.O. Contact and Green LED	—
31	96418	Toggle Switch - SPDT, 2 position, Momentary (primary boom up/down)	1
—	27246	Boot - Rubber	—
32	66813	Push Button - Black with Seal (auto-level)	1
—	66815	Base with 1 N.O Contact	—
—	66816	N.O. Contact	—

This list continues on the next page.

GROUND CONTROLS

REV A



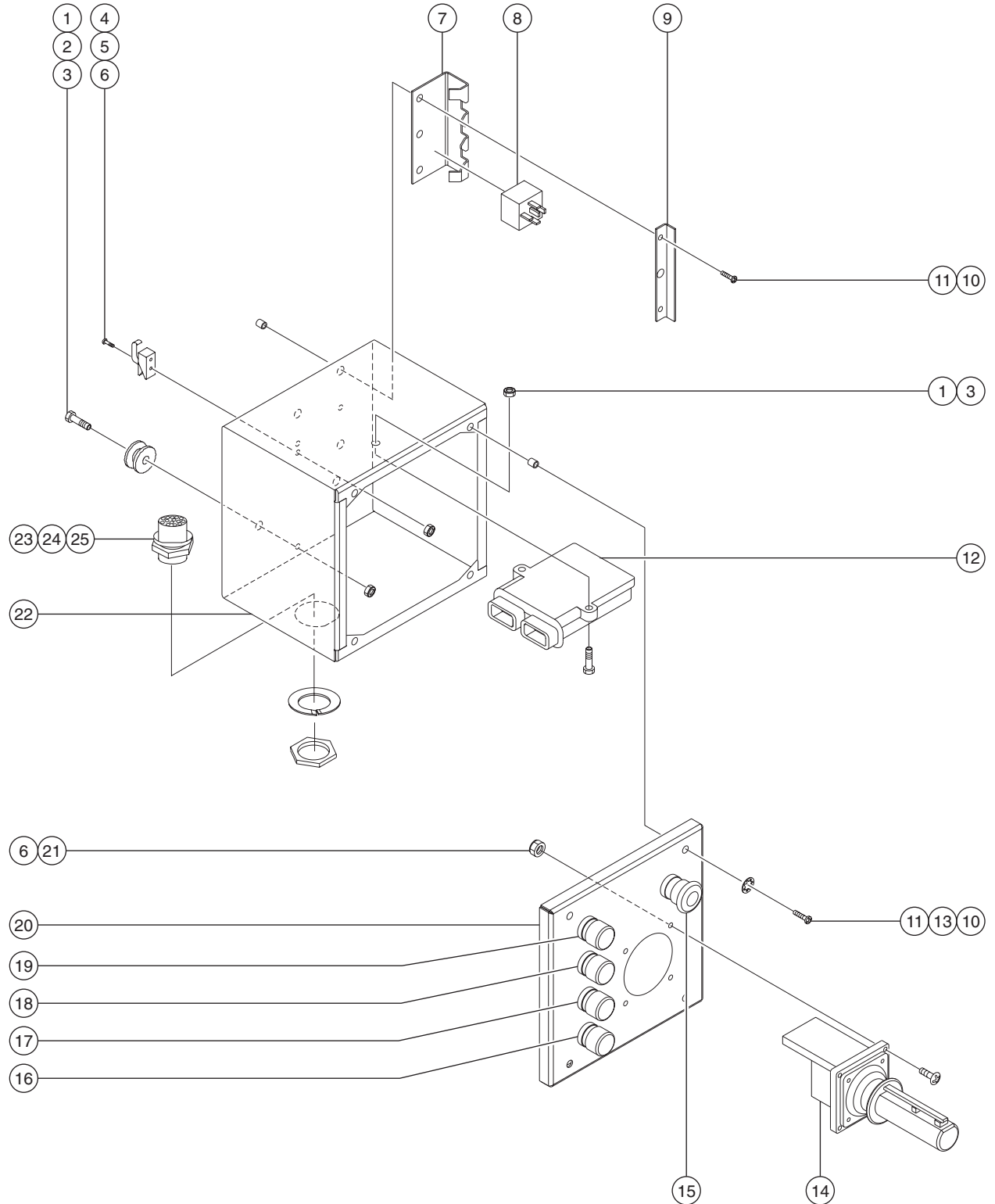
REV A

GROUND CONTROLS

Item	Part No.	Description	Quantity This Figure
33	96418	Toggle Switch - SPDT, 2 position, Momentary (primary boom extend/retract)	1
—	27246	Boot - Rubber	—
34	66813	Push Button - Black with Seal (outrigger enable)	1
—	66815	Base with 1 N.O Contact	—
—	66816	N.O. Contact	—
35	66813	Push Button - Black with Seal (outrigger extend)	1
—	66815	Base with 1 N.O Contact	—
—	66816	N.O. Contact	—
36	66813	Push Button - Black with Seal (outrigger retract)	1
—	66815	Base with 1 N.O Contact	—
—	66816	N.O. Contact	—
37	66812	Push Button - Red Mushroom Head	1
—	66817	Base with 1 N.C. Contact	—
—	66818	N.C. Contact	—
38	12344	Nylock Nut, 6-32	2
39	49820	Screw - PHPM, 6-32 x 0.5 inch, GR 2	2
40	55306	Screw - PHM, 4-40 x 0.5 inch, GR 2	6
41	76629	PCB Mount	1
42	76637	Wire Harness Assembly - Power	1
—	104874	Receptacle Connector, 3 Position, Flanged	—
—	104875	Terminal Pin, 12-14 Gauge	—
43	38020	Circuit Breaker, 15 A, 220V AC	1
44	76636	Wire Harness Assembly - Auto-level	1
—	87755	Receptacle Connector, 8 way, Flanged, 14-18 Gauge	—
—	60447	Receptacle Lock, 12 way, 14-18 Gauge	—
—	83130	Terminal Pin, 16-18 Gauge	—

Drive Controls, View 1

REV A



REV A

DRIVE CONTROLS, VIEW 1

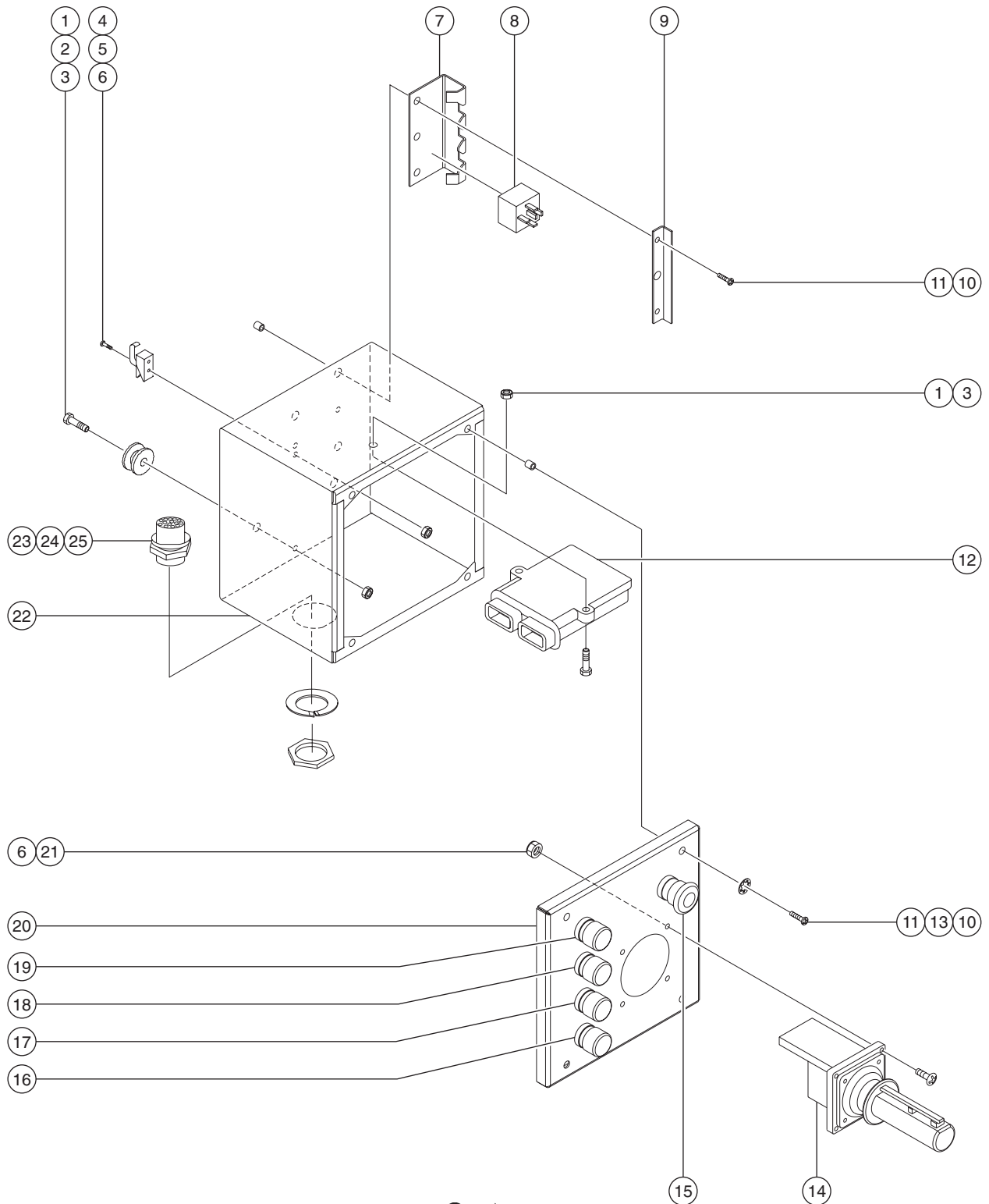
Item	Part No.	Description	Quantity	This Figure
—	76675	Drive Control Box Assembly, IC - Complete	—	—
—	76656	Drive Control Box Assembly, DC and Bi-Fuel - Complete	—	—
—	13083	Diode, 2A	—	—
—	99195	Resistor, 5.6 ohms, 2 Watt	—	—
1	6888	Screw - HHC, 1/4 -20 x 1 inch, GR 5	5	
2	66866	Button - Joystick Mount	3	
3	6889	Low Profile Nylock Nut, 1/4 -20	5	
4	49820	Screw - PHPM, 6-32 x 0.5 inch, GR 2	1	
5	47218	Draw Latch - Over Center (includes keeper and latch)	1	
—	62819	Keeper - Over Center Latch	—	—
6	12344	Nylock Nut, 6-32	5	
7	76657	Holder - Relay	1	
8	56302	Relay - 24V DC (DC and Bi-fuel models)	3	
—	34052	Relay - 12V DC (IC models)	2	
9	76658	Bracket - Relay Mount	1	
10	49819	Screw - PHPM, 10-32 x 0.5 inch, GR 2	7	
11	23405	Nutsert, 10-32.....	7	
12	76646	Dual Pulse Width Modulation Controller	1	
13	99207	Internal Star Washer, #10.....	4	
14	76654	Joystick - Dual Axis	1	
15	66812	Push Button - Red Mushroom Head	1	
—	66817	Base with 1 N.C. Contact	—	—
—	66818	N.C. Contact	—	—
16	66813	Push Button - Black with Seal (horn)	1	
—	66815	Base with 1 N.O Contacts	—	—
—	66816	N.O. Contact	—	—
17	66813	Push Button - Black with Seal (outrigger extend)	1	
—	66814	Base with 2 N.O Contacts	—	—
—	66816	N.O. Contact	—	—
18	66813	Push Button - Black with Seal (auto-level)	1	
—	66815	Base with 1 N.O Contact	—	—
—	66816	N.O. Contact	—	—

This list continues on the next page.



DRIVE CONTROLS, VIEW 1

REV A



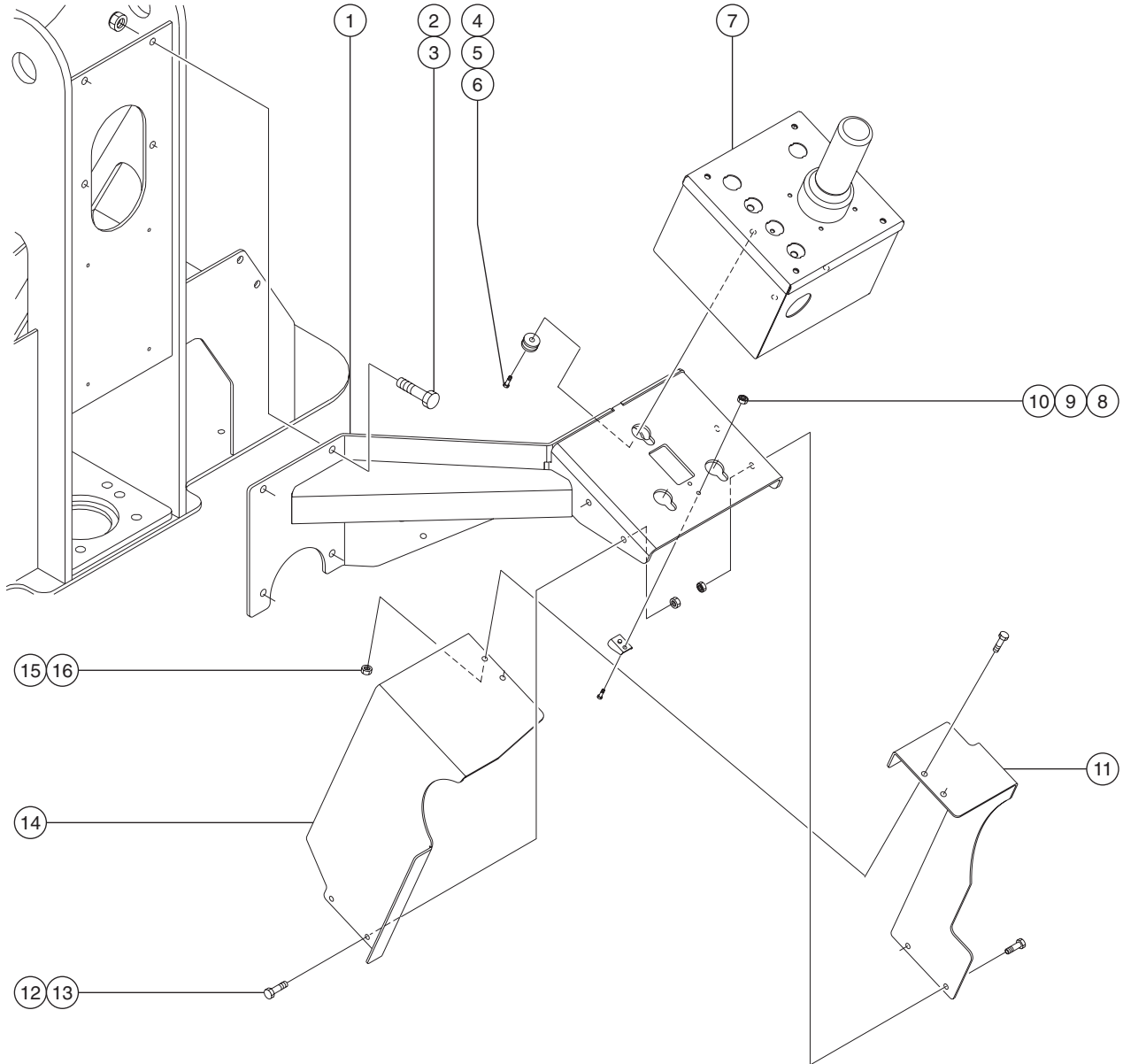
REV A

DRIVE CONTROLS, VIEW 1

Item	Part No.	Description	Quantity This Figure
19	66813	Push Button - Black with Seal (outrigger retract)	1
—	66814	Base with 2 N.O Contacts	—
—	66816	N.O. Contact	—
20	76652	Drive Controls Box Lid	1
21	7127	Screw - PHPM, 6-32 x 0.75 inch	4
22	76653	Drive Controls Box	1
23	87748	Receptacle Connector, 14 way	1
—	83130	Terminal Pin, 16-18 Gauge	—
24	87751	Panel Washer - Shell, Size 18	1
25	87750	Panel Nut - Plastic, Size 18	1

Drive Controls, View 2

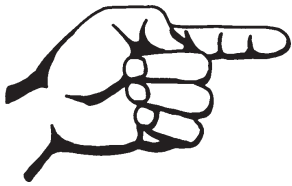
REV A



REV A

DRIVE CONTROLS, VIEW 2

Item	Part No.	Description	Quantity	This Figure
—	109828	Drive Mount Arm Kit	—	—
1	109822	Mount - Drive Control	1	1
2	94434	Screw - HHC, $\frac{3}{8}$ -16 x 1.25 inches	4	4
3	4828	Nut - Nylock, $\frac{3}{8}$ -16	4	4
4	6888	Screw - HHC, $\frac{1}{4}$ -20 x 1 inch, GR 5	3	3
5	66866	Button - Joystick Mount	3	3
6	6889	Low Profile Nylock Nut, $\frac{1}{4}$ -20	3	3
7	Ref.	Drive Control Box (refer to Drive Controls, View 1)	—	—
8	18605	Nut - Nylock, 8-32	2	2
9	47218	Draw Latch - Over Center (includes keeper and latch)	1	1
—	62819	Keeper - Over Center Latch	—	—
10	55906	Screw - PHPM, 8-32 x 0.5 inch, GR 2	2	2
11	109855	Drive Guard, Right	1	1
12	6090	Screw - PHPM, $\frac{1}{4}$ -20 x 0.75 inch, GR 5	6	6
13	6091	Nut - Nylock, $\frac{1}{4}$ -20	6	6
14	109823	Drive Guard, Left	1	1
15	6889	Nut - Low Profile Nylock, $\frac{1}{4}$ -20	2	2
16	7339	Screw - HHC, $\frac{1}{4}$ -20 x 0.5 inch, GR 5	2	2



This page intentionally left blank.

Schematics



Observe and Obey:

- ☑ Troubleshooting and repair procedures shall be completed by a person trained and qualified on the repair of this machine.
- ☑ Immediately tag and remove from service a damaged or malfunctioning machine.
- ☑ Repair any machine damage or malfunction before operating the machine.

Before Troubleshooting:

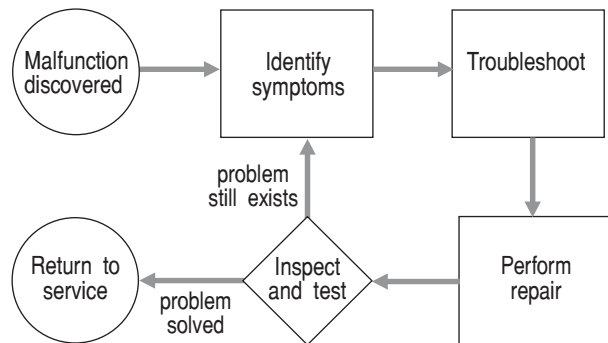
- ☑ Read, understand and obey the safety rules and operating instructions in the appropriate operator's manual on your machine.
- ☑ Be sure that all necessary tools and test equipment are available and ready for use.

About This Section

Electrical Schematics

⚠WARNING Electrocution hazard. Contact with electrically charged circuits could result in death or serious injury. Remove all rings, watches and other jewelry.

General Repair Process

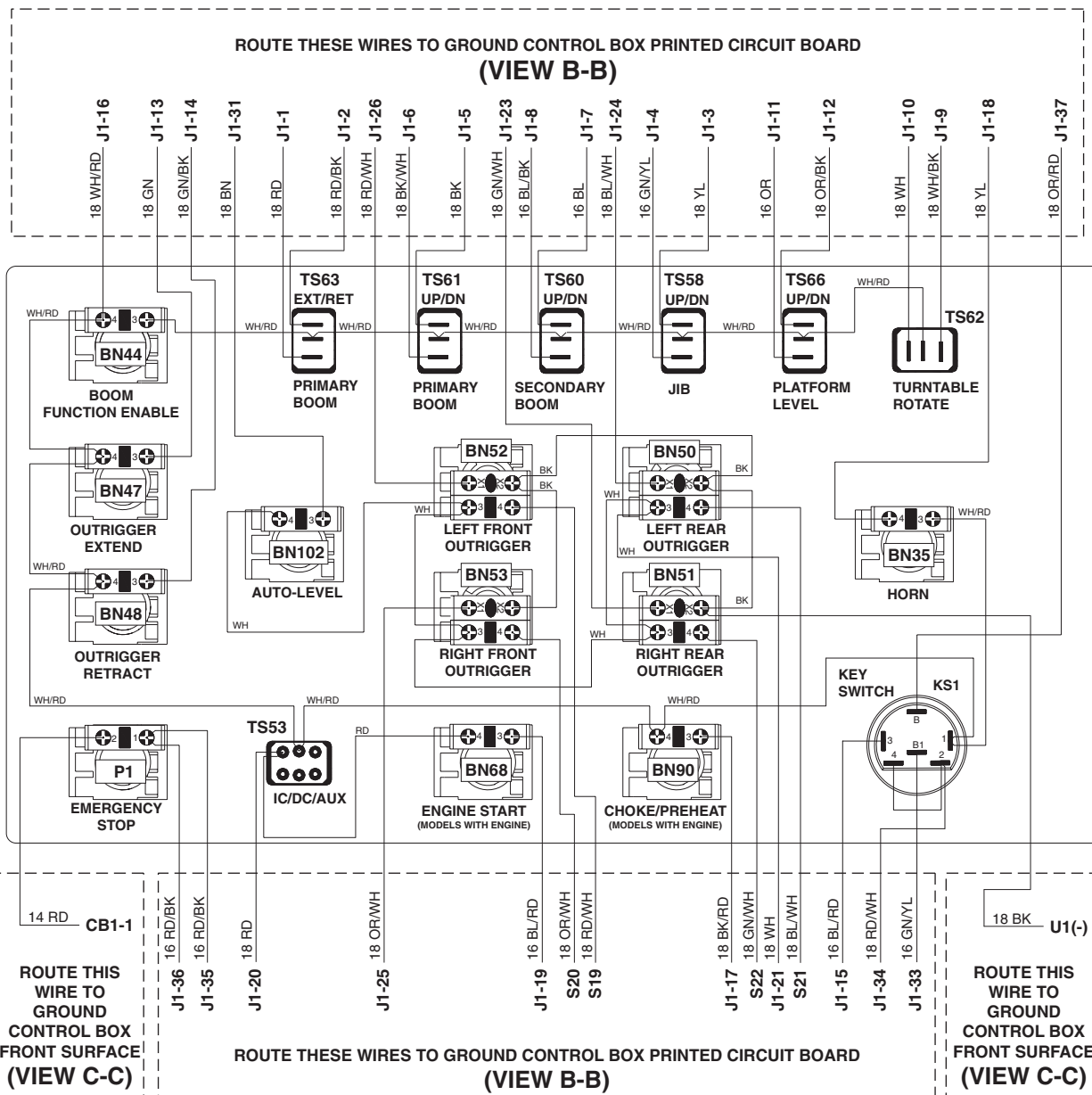
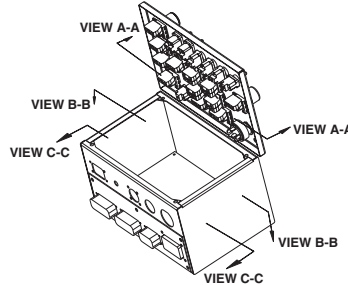


Wiring Diagram - Ground Controls, View A-A

REV A

GROUND CONTROL BOX VIEW A-A (INSIDE LID SURFACE)

VIEW A-A

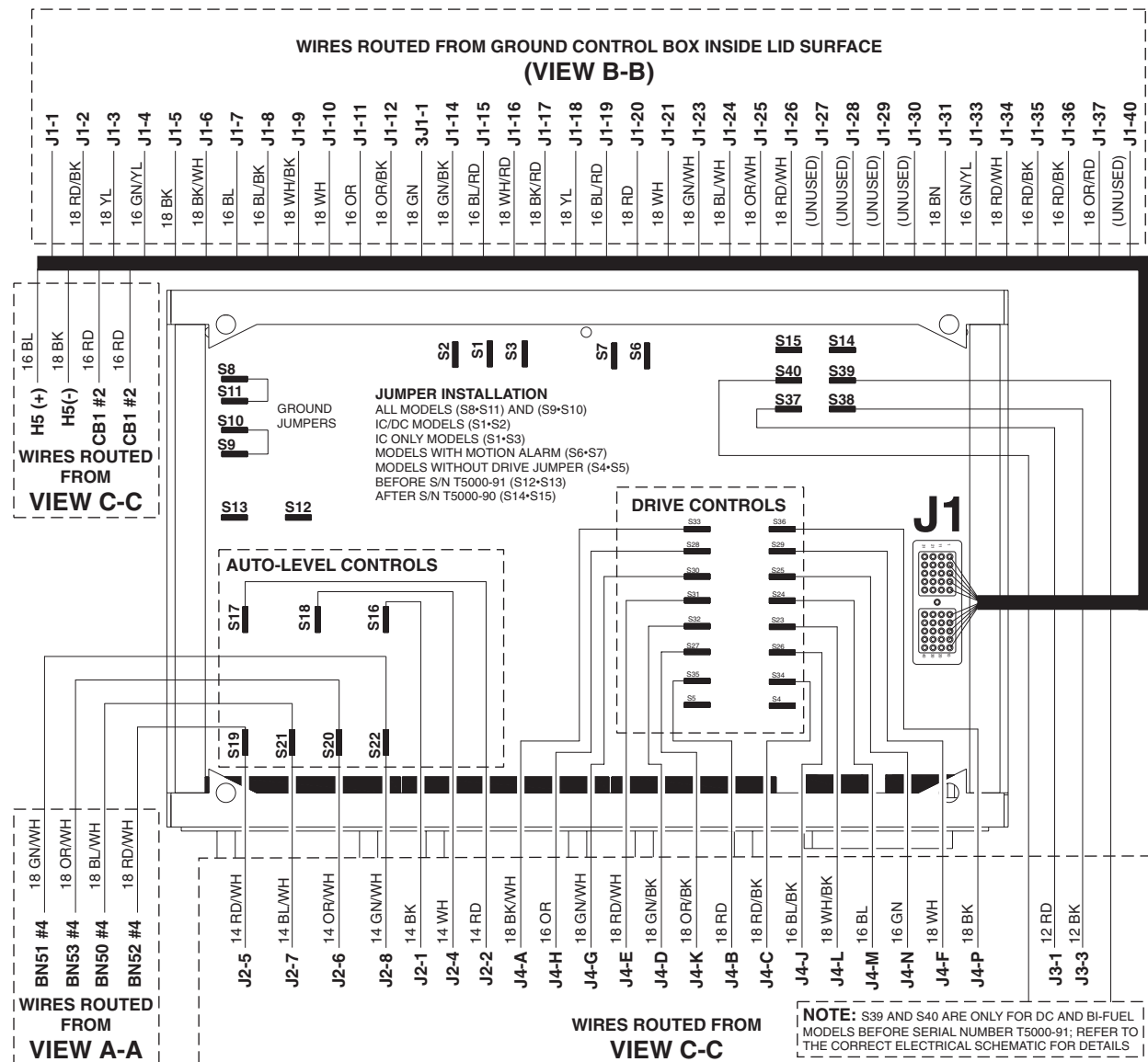
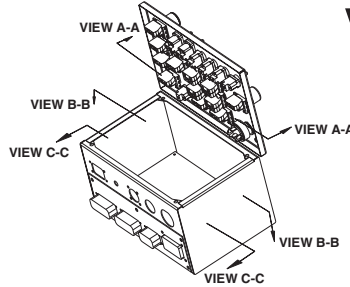


REV A

Wiring Diagram - Ground Controls, View B-B

GROUND CONTROL BOX VIEW B-B (INSIDE BOX ASSEMBLY)

VIEW B-B

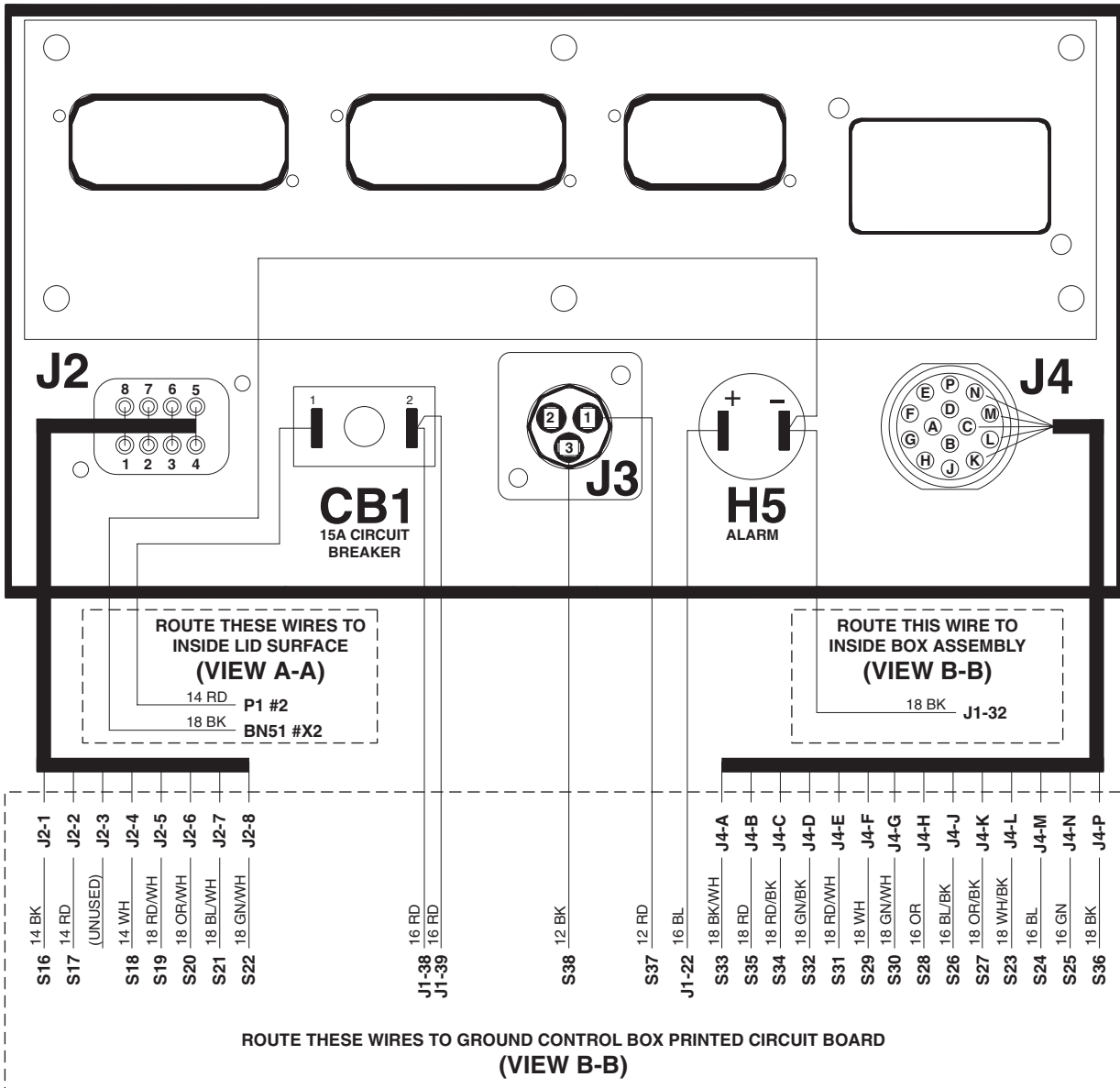
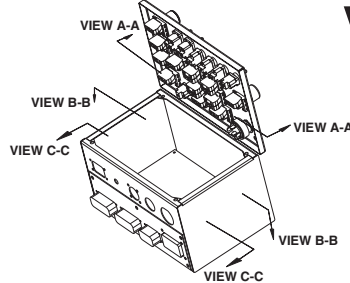


Wiring Diagram - Ground Controls, View C-C

REV A

**GROUND CONTROL BOX
VIEW C-C
(FRONT INSIDE SURFACE)**

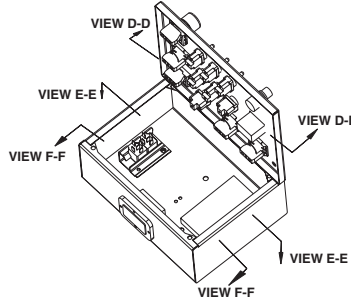
VIEW C-C



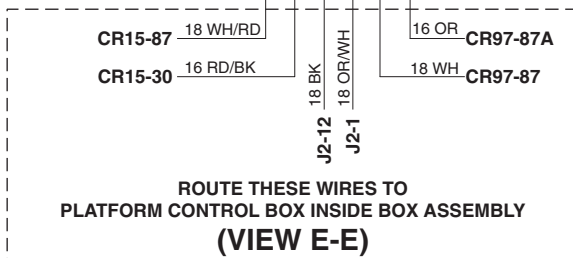
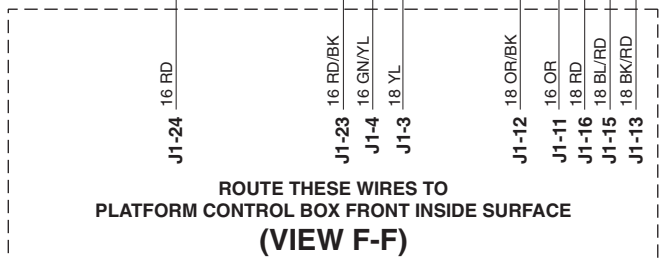
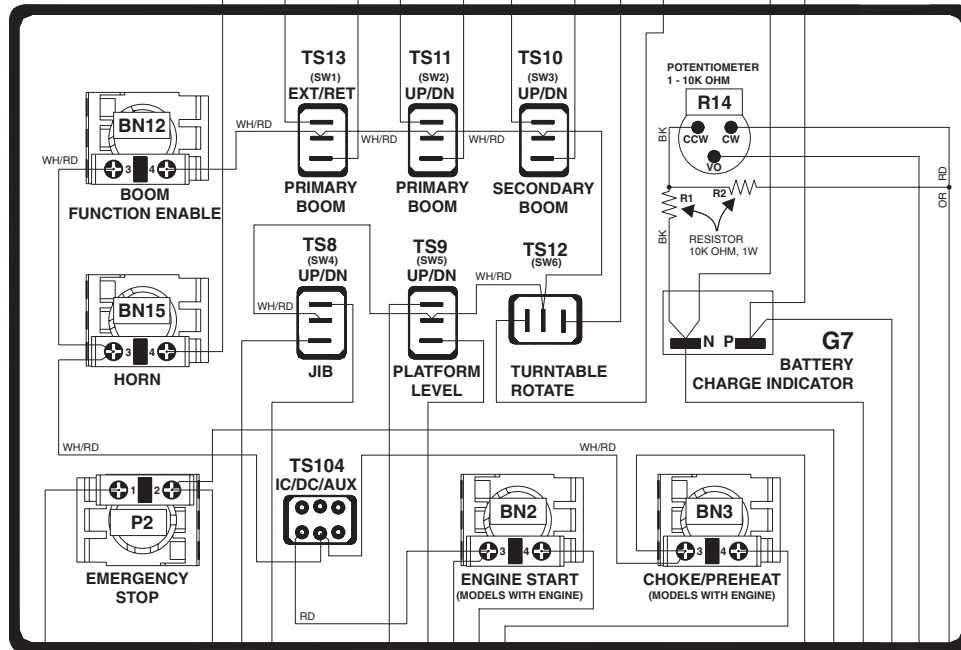
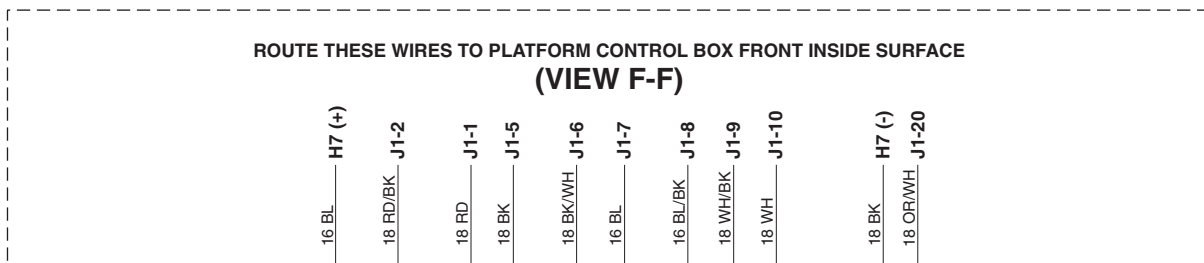
REV A

Wiring Diagram - Platform Controls, View D-D

PLATFORM CONTROL BOX VIEW D-D (INSIDE LID SURFACE)



VIEW D-D

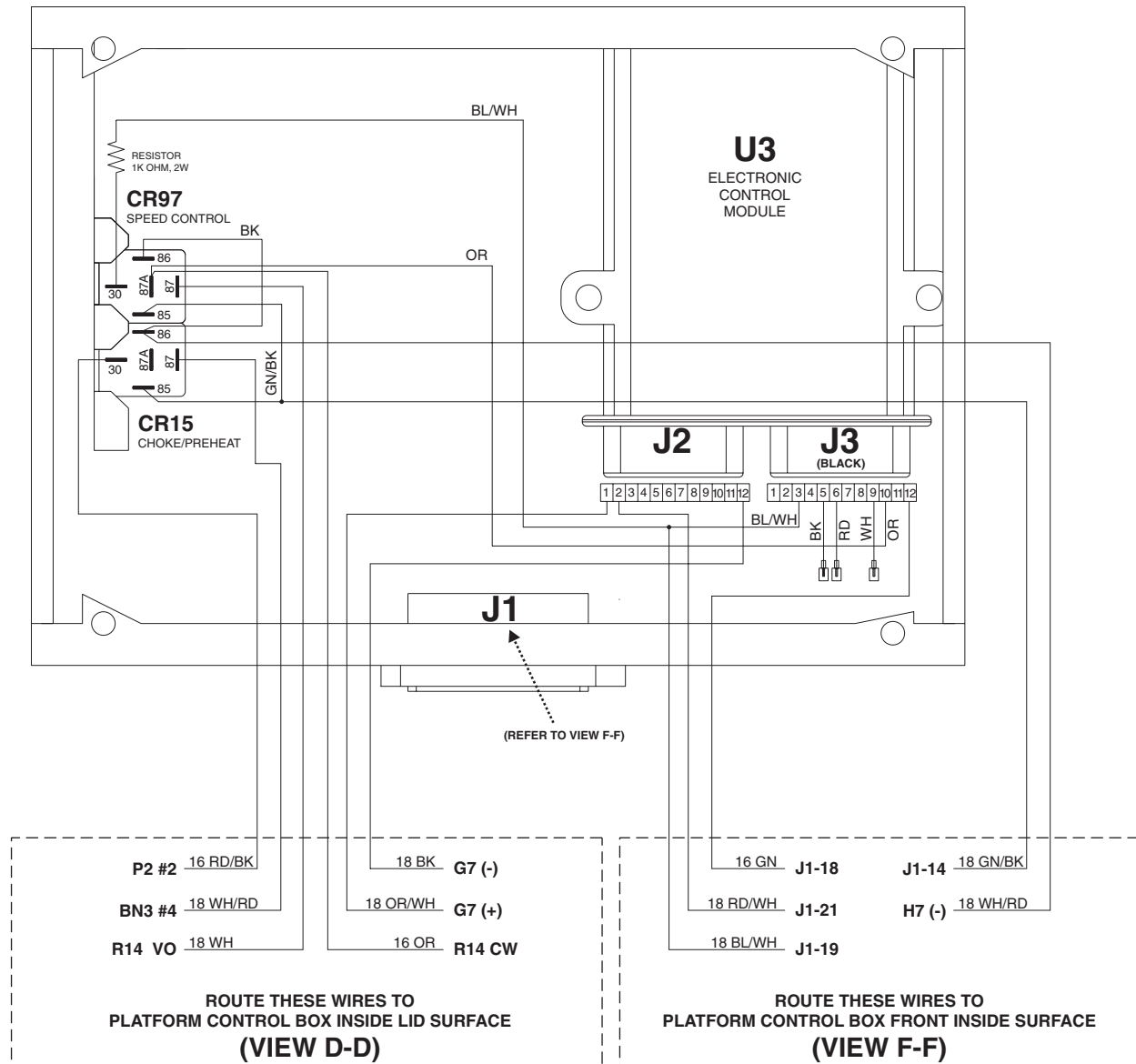
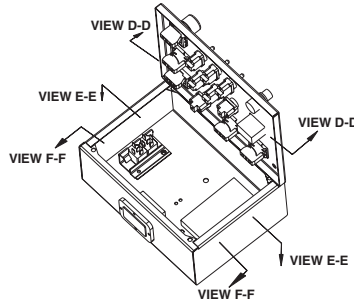


Wiring Diagram - Platform Controls, View E-E

REV A

PLATFORM CONTROL BOX VIEW E-E (INSIDE BOX ASSEMBLY)

VIEW E-E

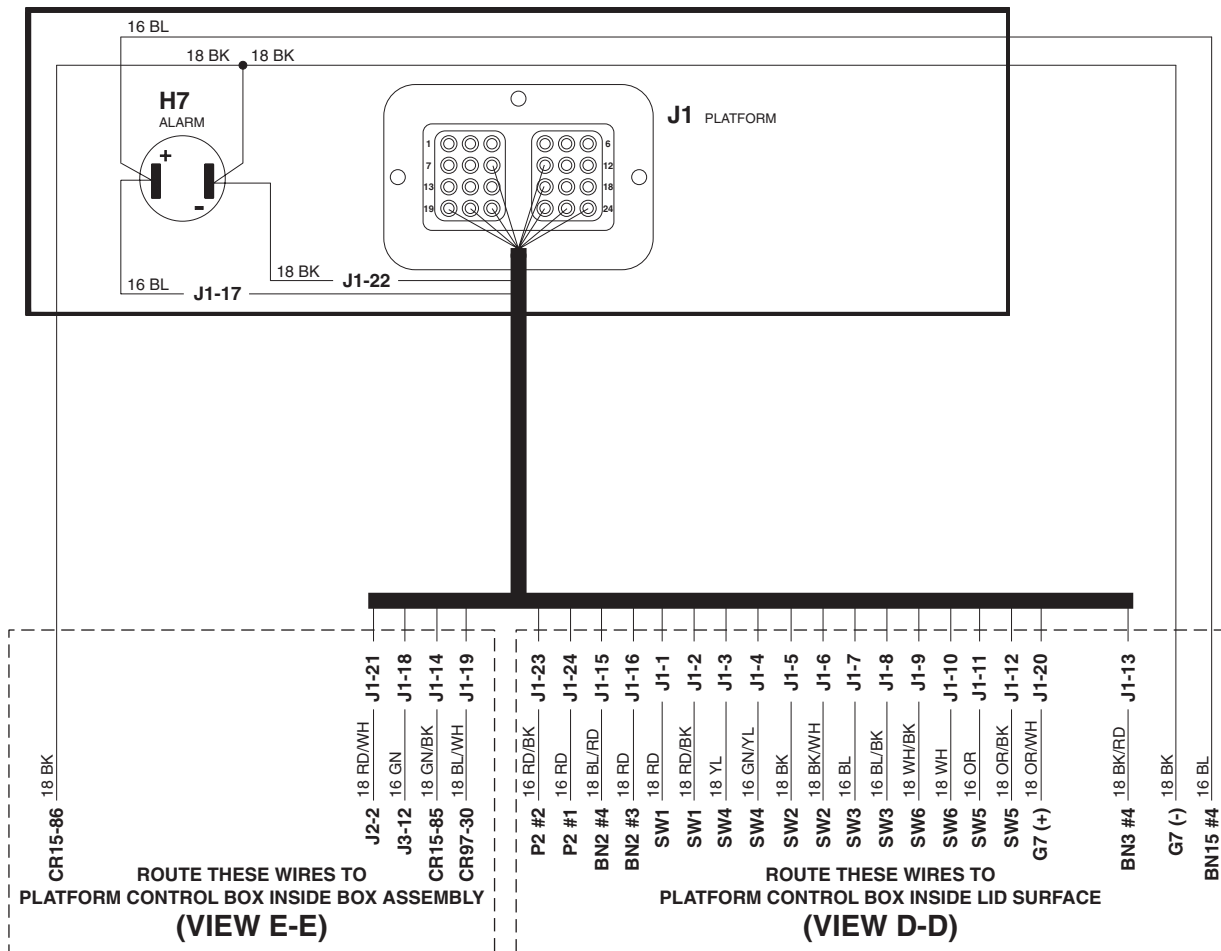
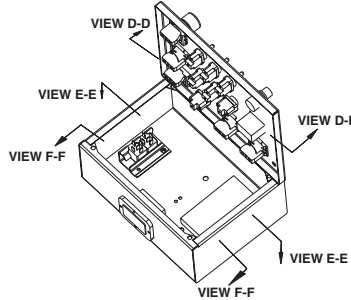


REV A

Wiring Diagram - Platform Controls, View F-F

PLATFORM CONTROL BOX VIEW F-F (FRONT INSIDE SURFACE)

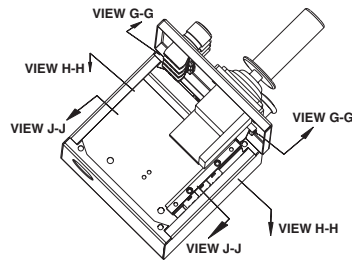
VIEW F-F



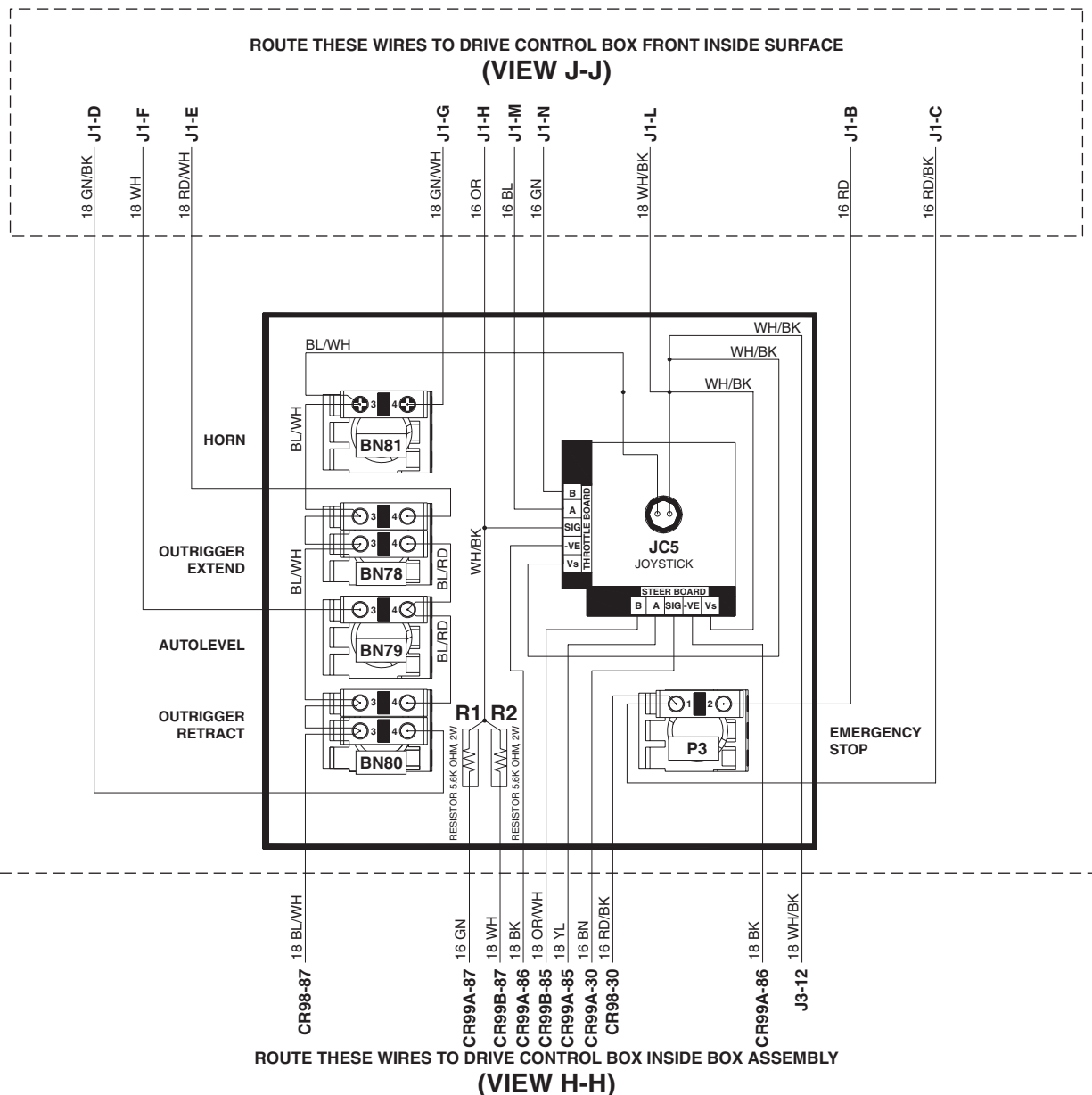
Wiring Diagram - Drive Controls, View G-G

REV A

**DRIVE CONTROL BOX
VIEW G-G
(INSIDE LID SURFACE)**



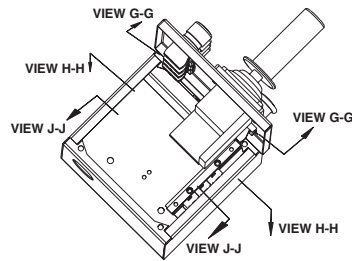
VIEW G-G



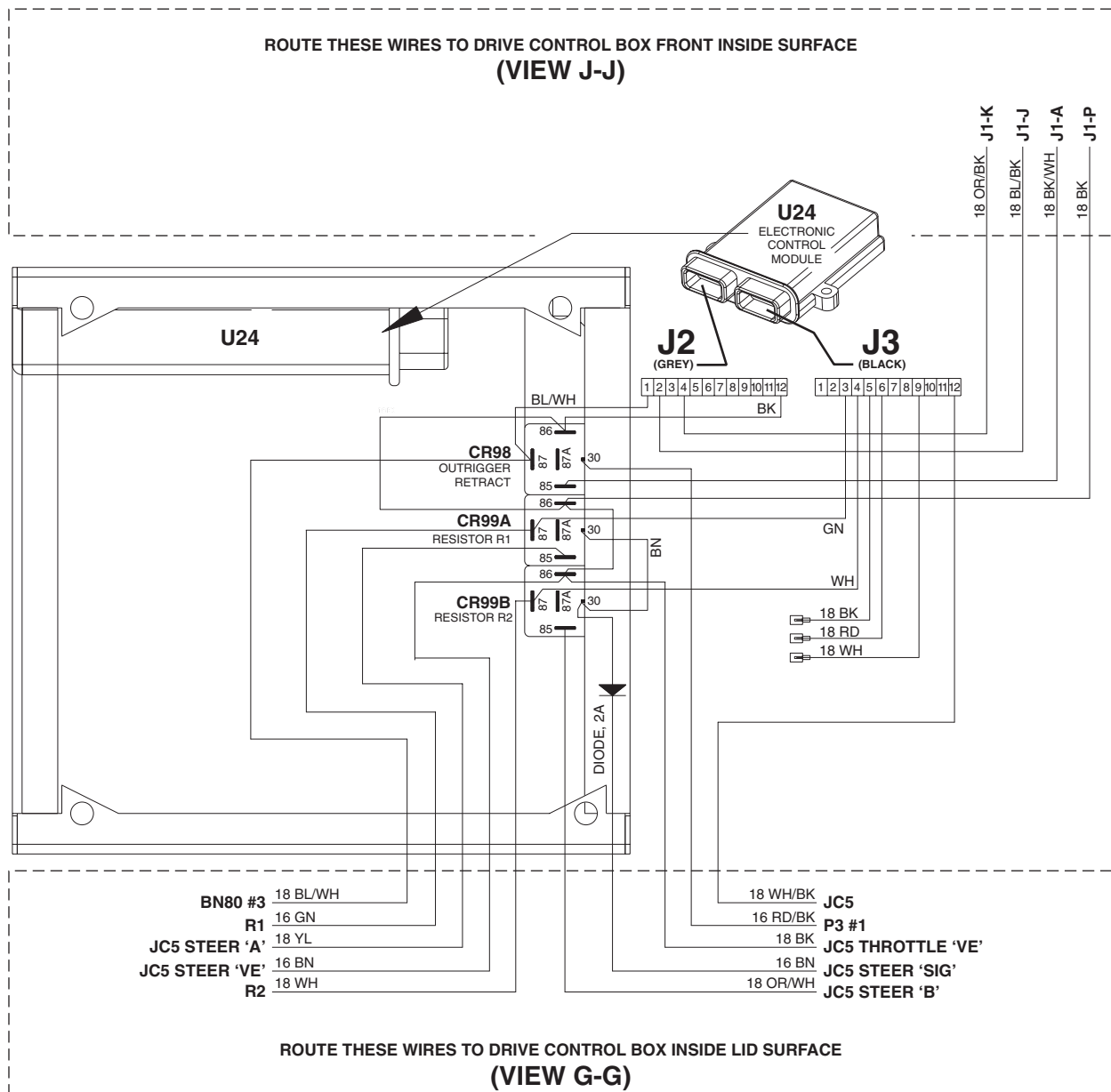
REV A

Wiring Diagram - Drive Controls, View H-H

DRIVE CONTROL BOX VIEW H-H (INSIDE BOX ASSEMBLY)



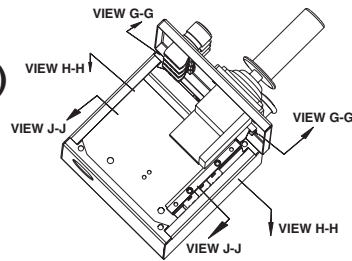
VIEW H-H



Wiring Diagram - Drive Controls, View J-J

REV A

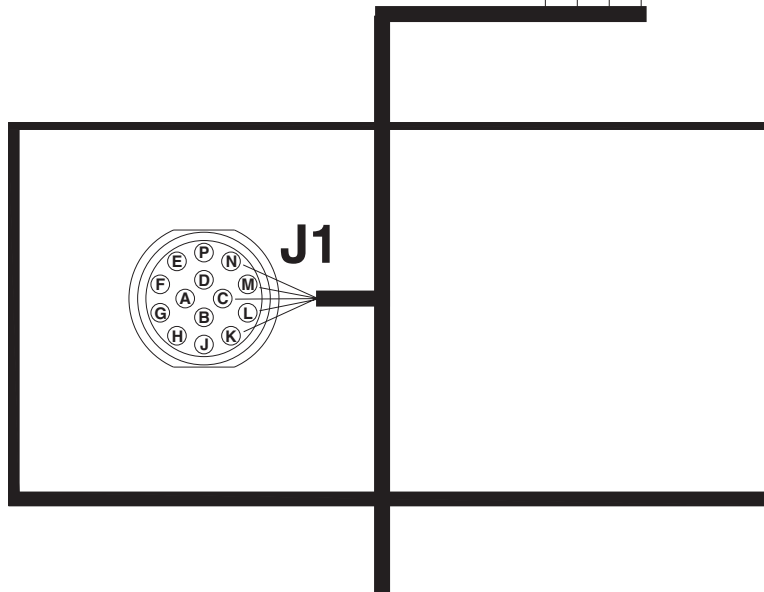
**DRIVE CONTROL BOX
VIEW J-J
(FRONT INSIDE SURFACE)**



VIEW J-J

ROUTE THESE WIRES TO DRIVE CONTROL BOX INSIDE BOX ASSEMBLY
(VIEW H-H)

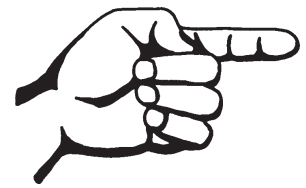
ECM J2-2	16 BL/BK	J1-J	
ECM J2-3	18 OR/BK	J1-K	
CR98-85	18 BK/WH	J1-A	
CR99B-86	18 BK	J1-P	



P3 #2	16 RD	J1-B	J1-G	18 GN/WH	BN81 #4
P3 #1	16 RD/BK	J1-C	J1-H	16 OR	JC5 THROTTLE 'SIG'
BN80 #4	18 GN/BK	J1-D	J1-L	18 WH/BK	JC5
BN78 #4	18 RD/WH	J1-E	J1-M	16 BL	JC5 THROTTLE 'A'
BN79 #3	18 WH	J1-F	J1-N	16 GN	JC5 THROTTLE 'B'

ROUTE THESE WIRES TO DRIVE CONTROL BOX INSIDE LID SURFACE
(VIEW G-G)



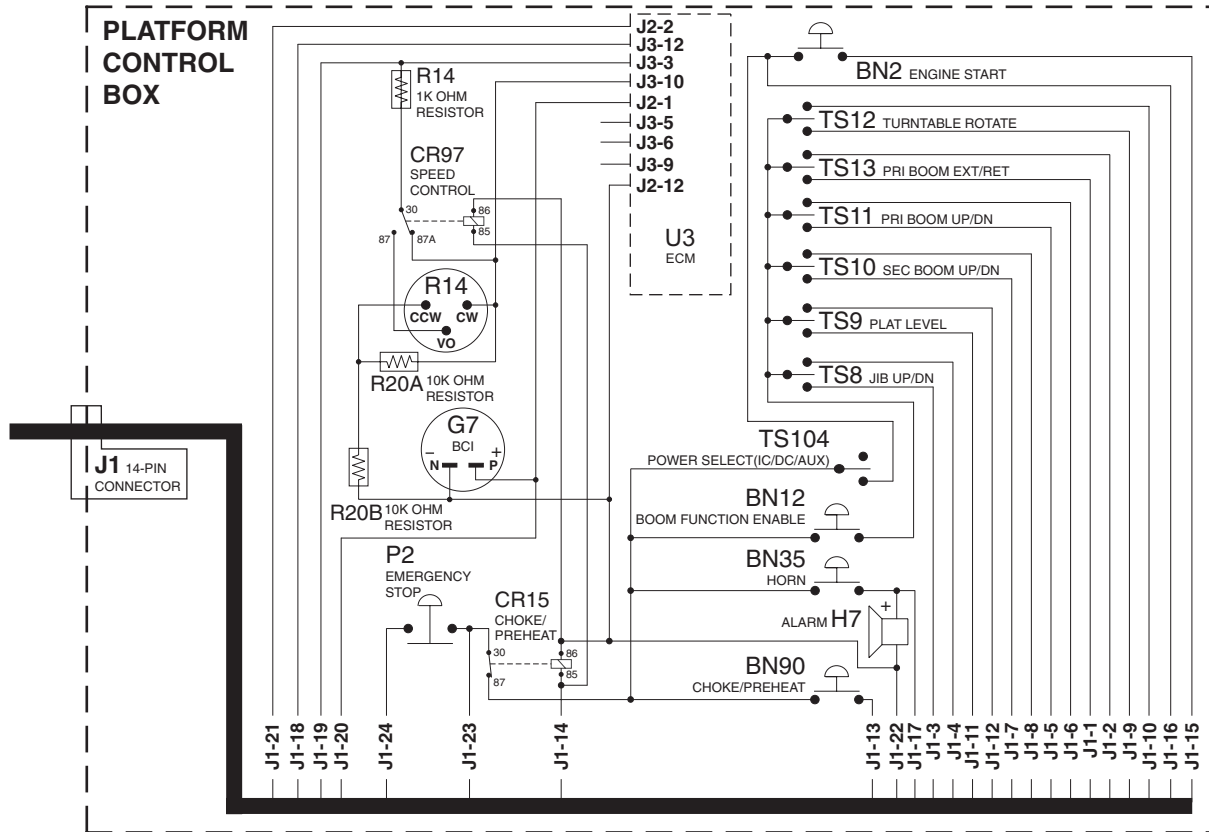


This page intentionally left blank.

Electrical Schematic - Platform Controls

REV A

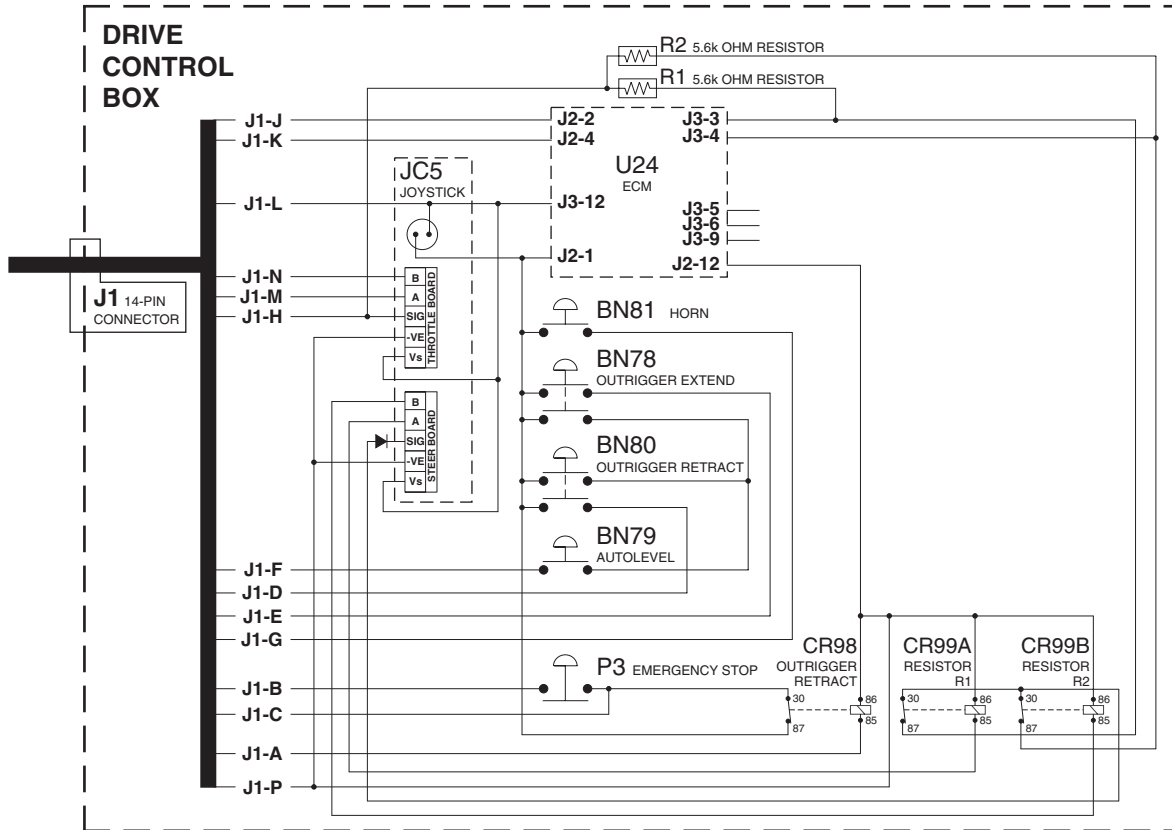
(all models)



REV A

Electrical Schematic - Drive Controls

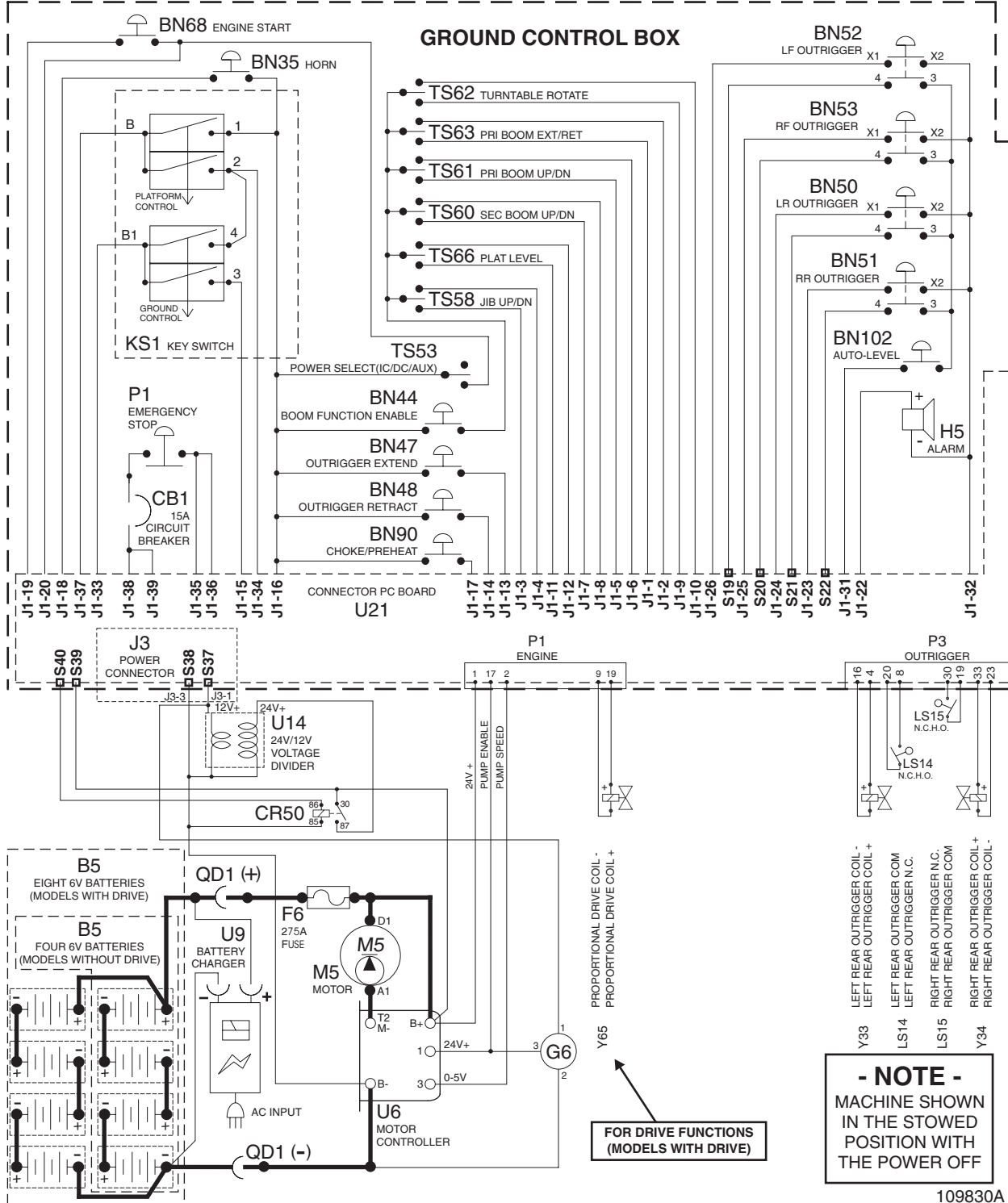
(all models)



Electrical Schematic

DC Models
(before serial number T5000-91)
Part 1 of 2

REV A



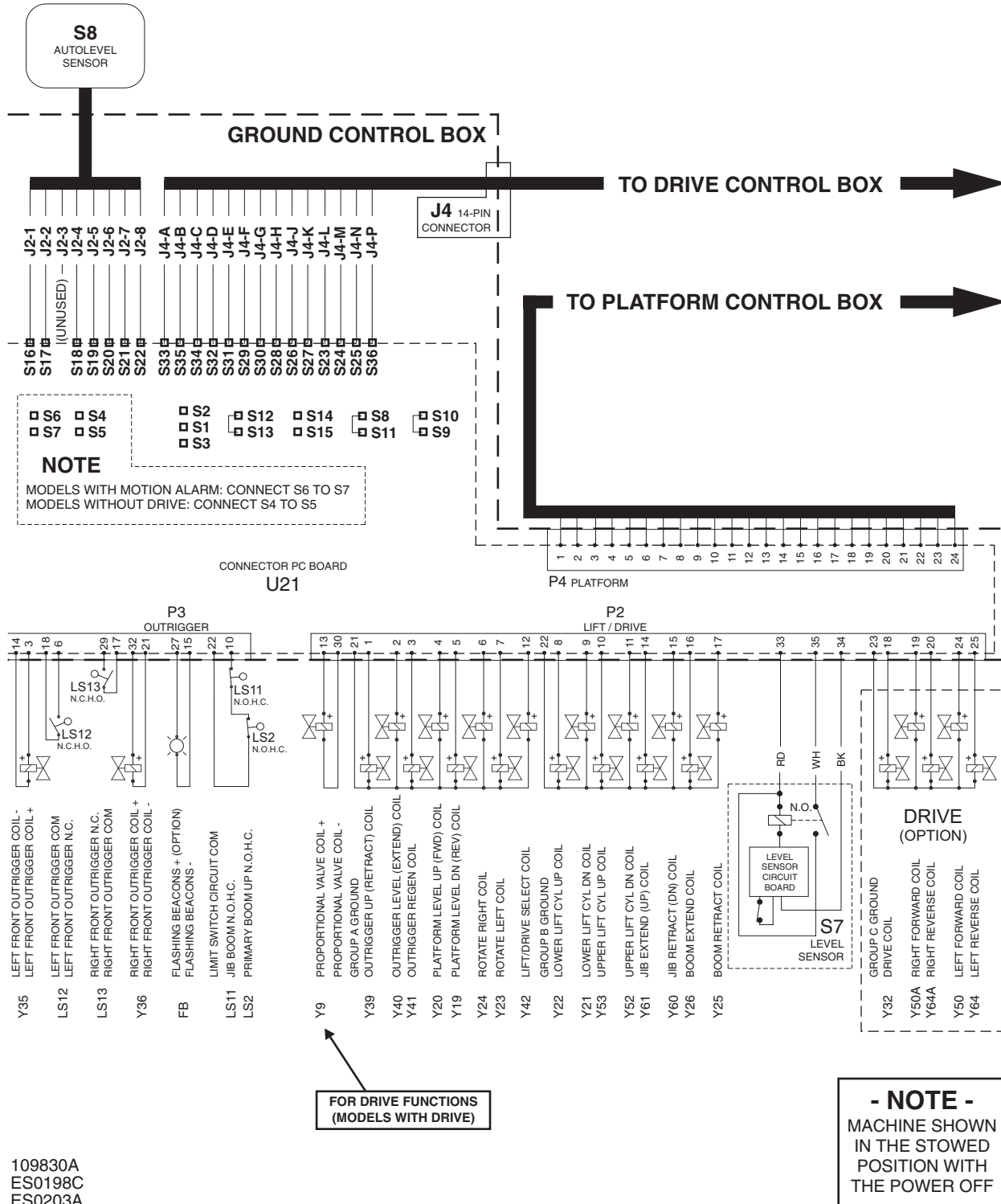
109830A
ES0198C
ES0203A



Electrical Schematic

REV A

DC Models
(before serial number T5000-91)
Part 2 of 2



109830A
ES0198C
ES0203A



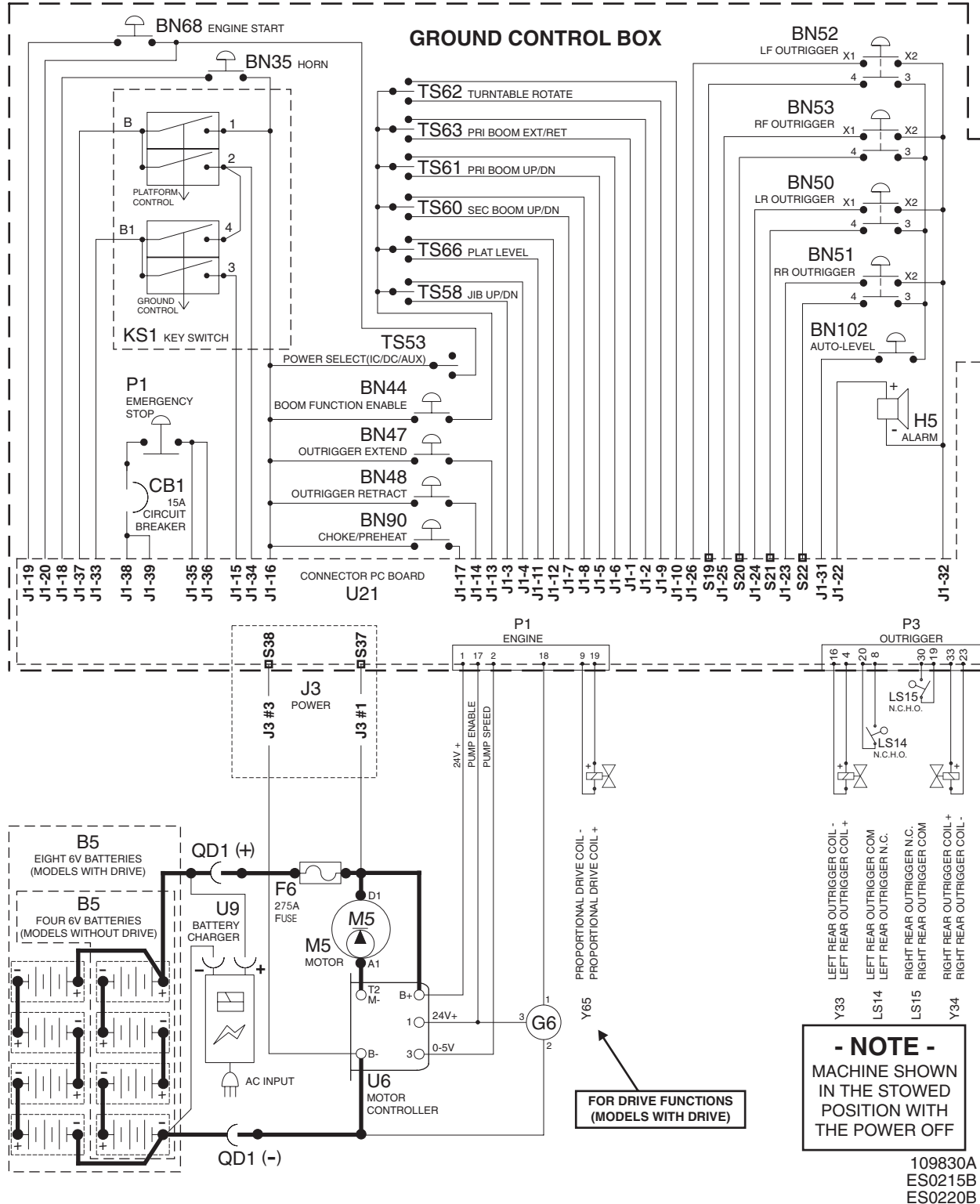
Electrical Schematic

DC Models

REV A

(from serial number T5000-91 to T5002-24)

Part 1 of 2



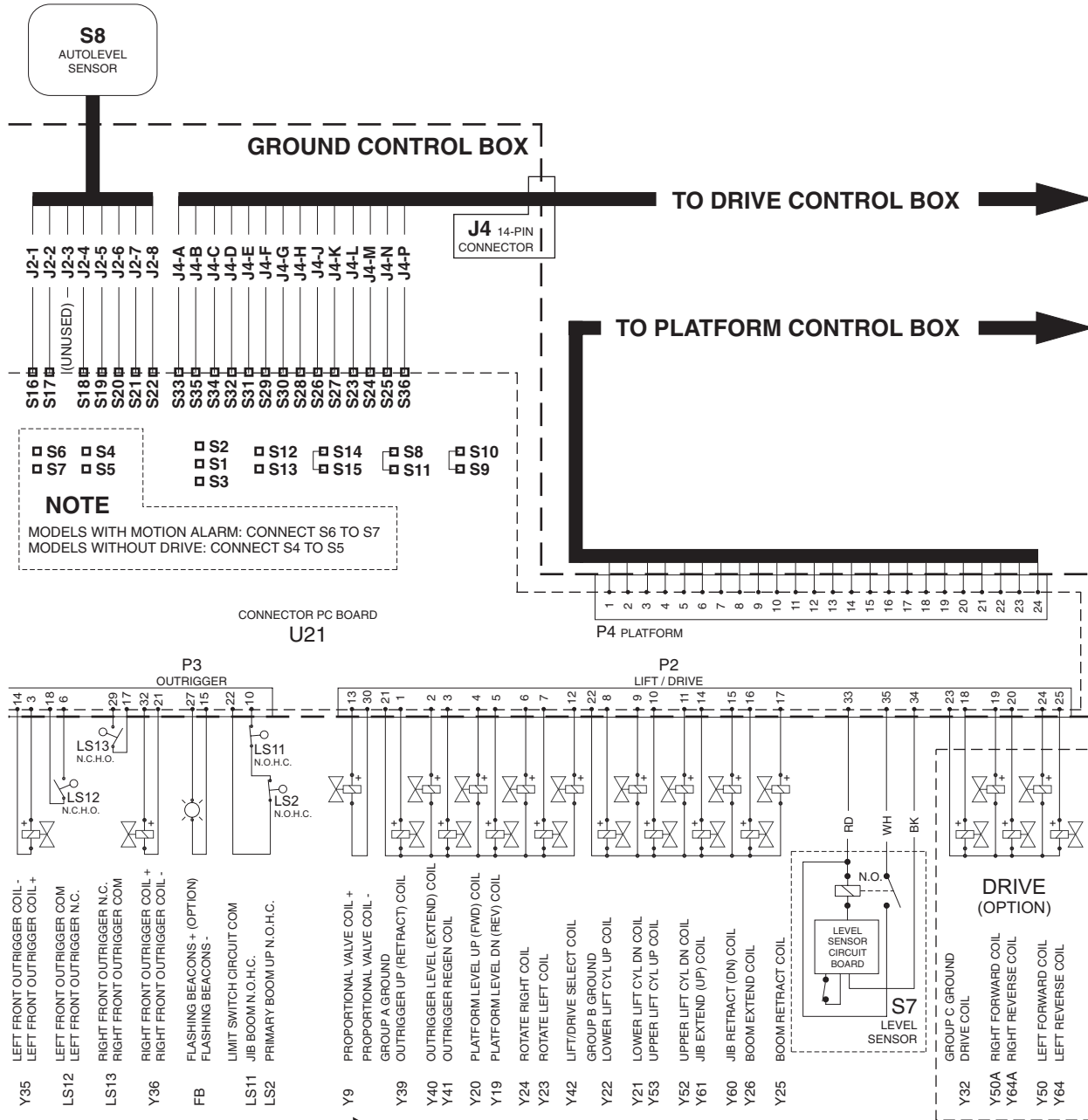
Electrical Schematic

REV A

DC Models

(from serial number T5000-91 to T5002-24)

Part 2 of 2



**FOR DRIVE FUNCTIONS
(MODELS WITH DRIVE)**

- NOTE -
MACHINE SHOWN
IN THE STOWED
POSITION WITH
THE POWER OFF

109830A
ES0215B
ES0220B



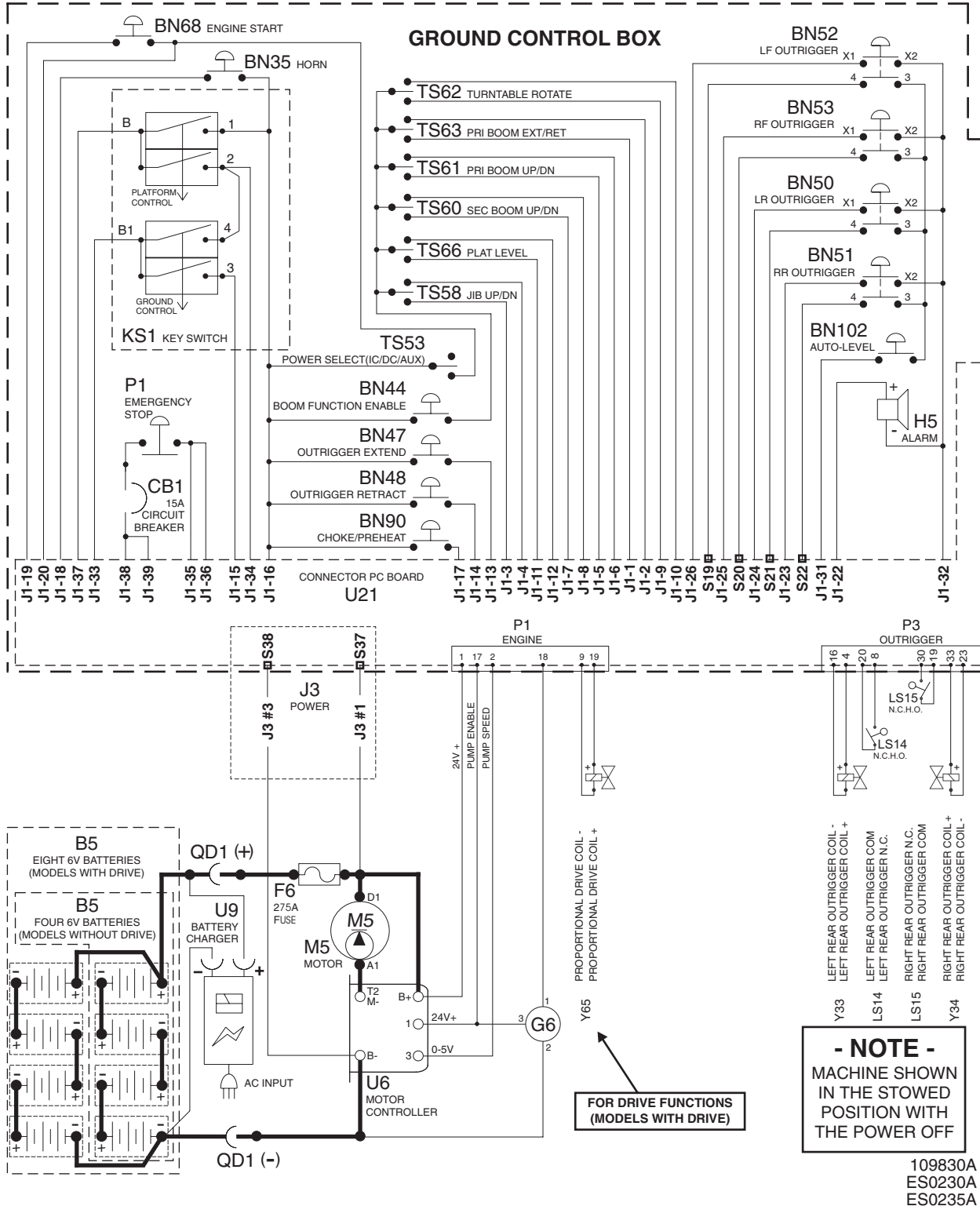
Electrical Schematic

DC Models

REV A

(from serial number T5002-25 to TMZ5003-228)

Part 1 of 2



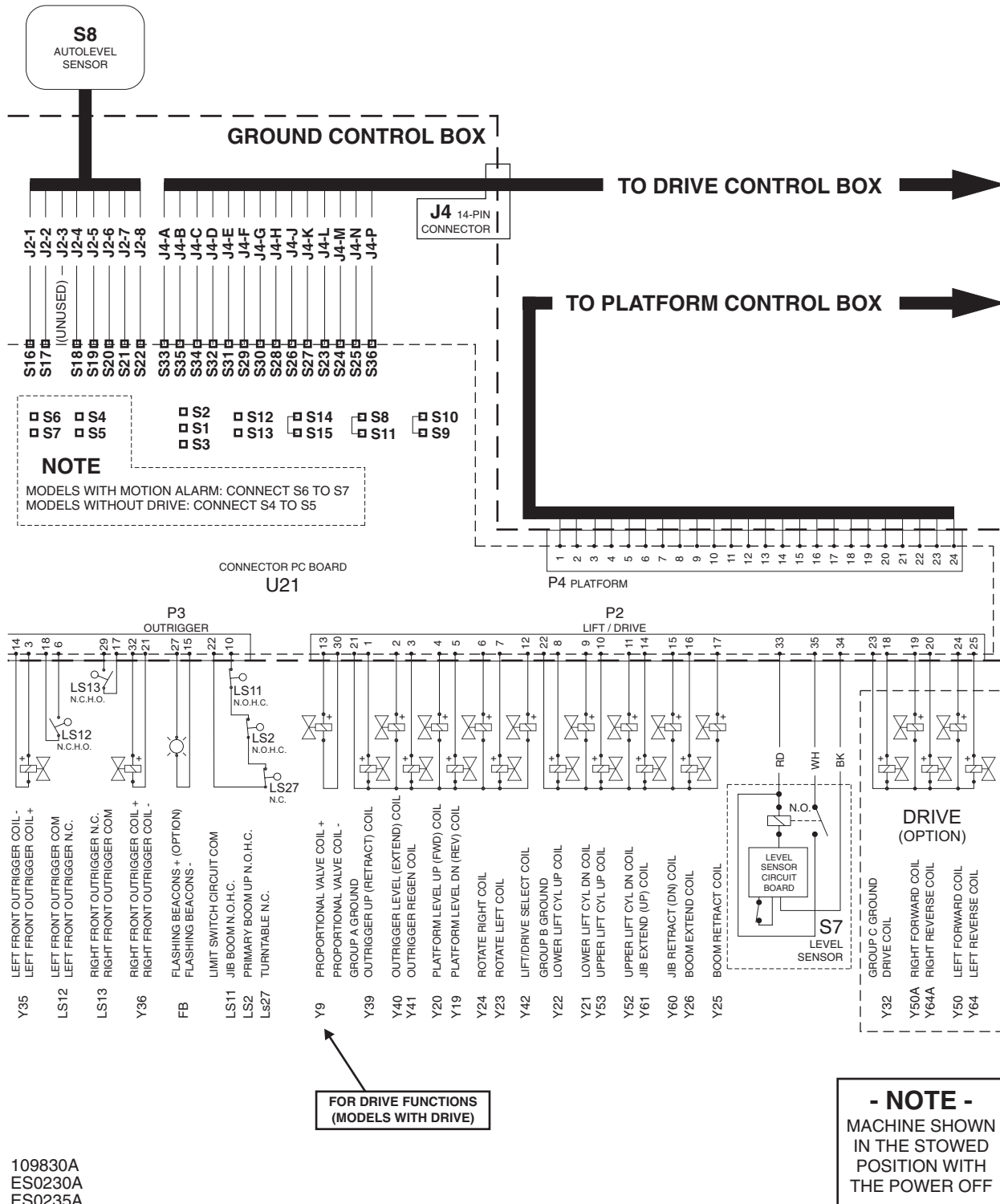
Electrical Schematic

REV A

DC Models

(from serial number T5002-25 to TMZ5003-228)

Part 2 of 2



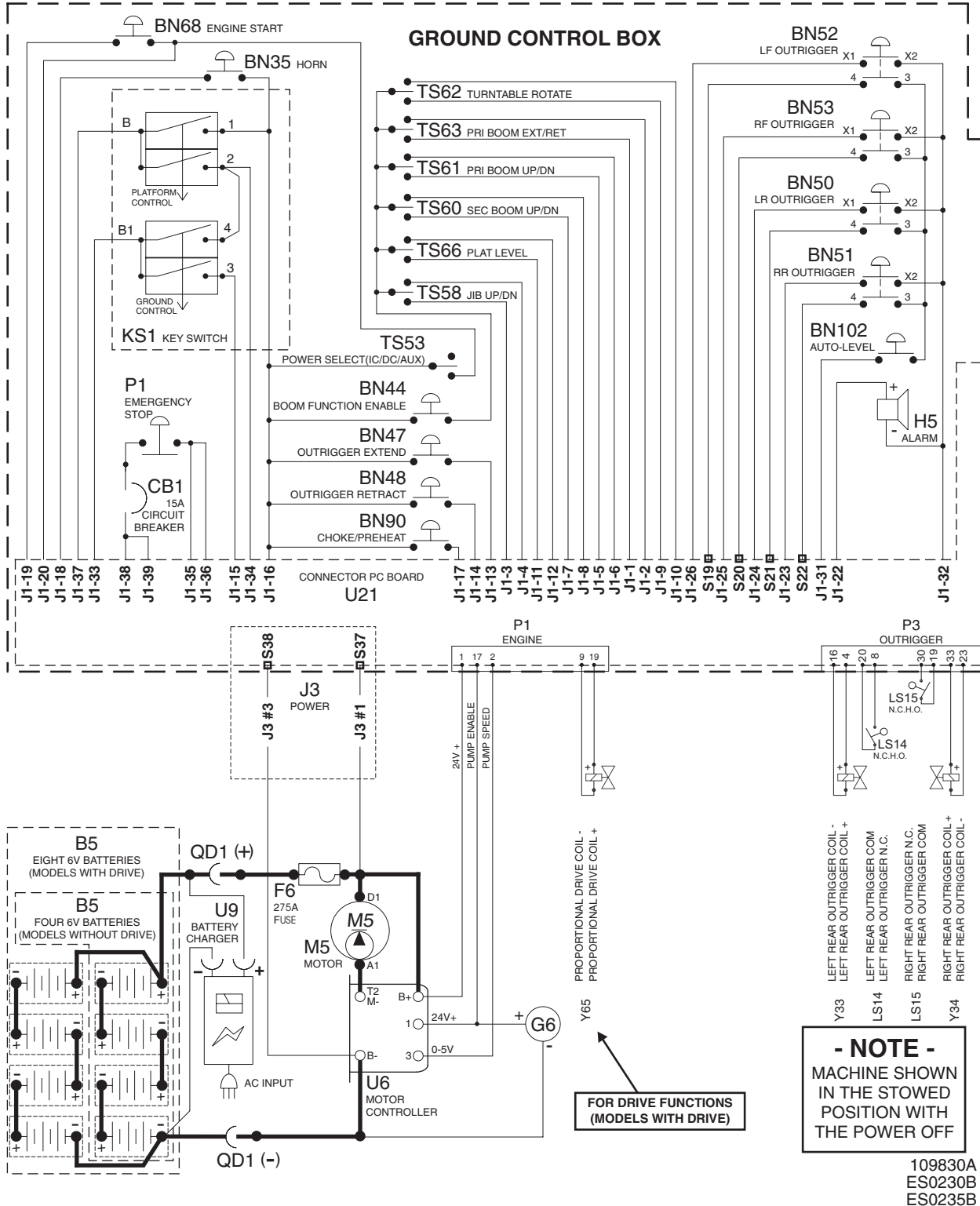
109830A
ES0230A
ES0235A



Electrical Schematic

DC Models
(after serial number TMZ5003-228)
Part 1 of 2

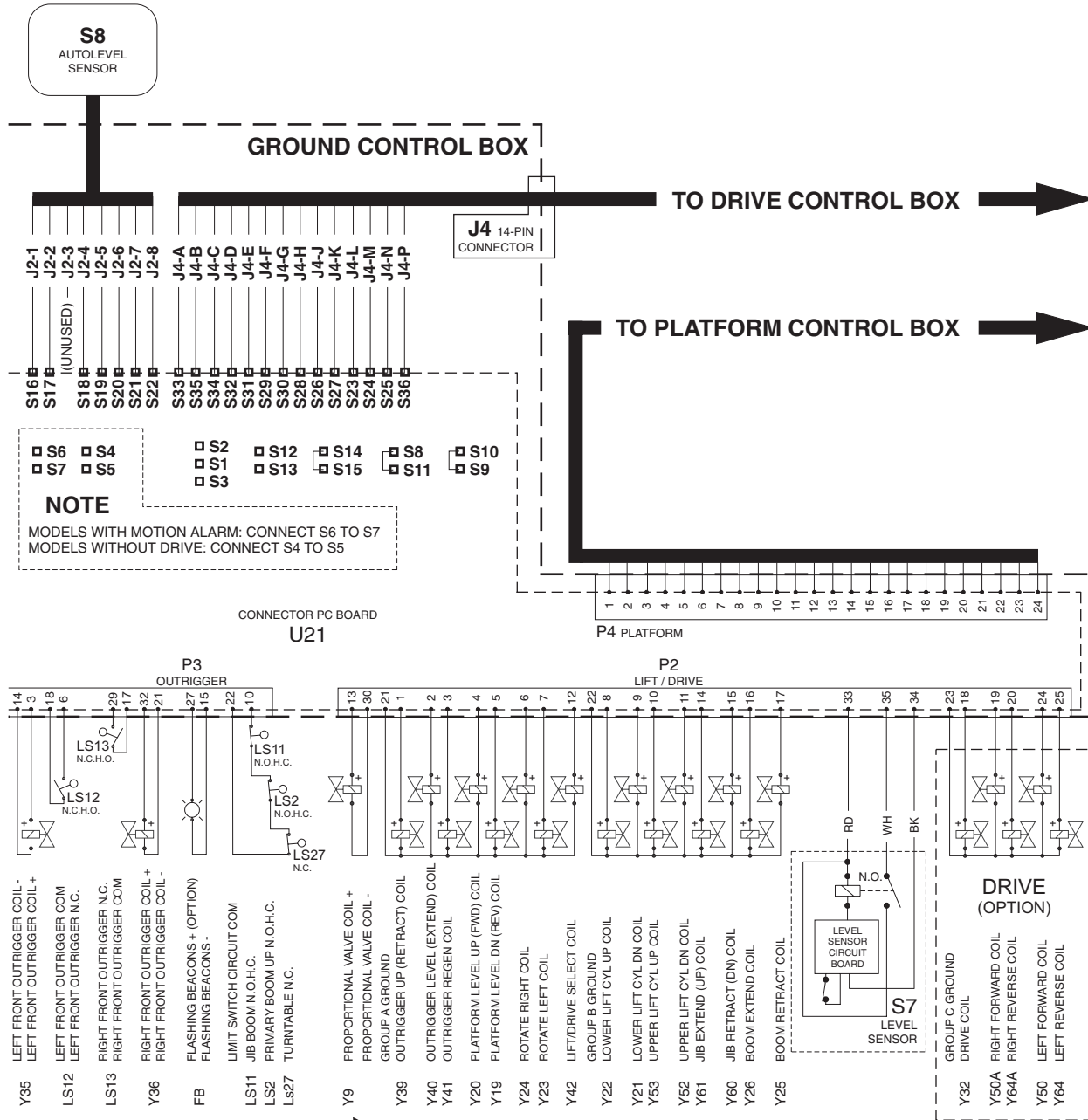
REV A



Electrical Schematic

REV A

DC Models
(after serial number TMZ5003-228)
Part 2 of 2



**FOR DRIVE FUNCTIONS
(MODELS WITH DRIVE)**

- NOTE -
MACHINE SHOWN
IN THE STOWED
POSITION WITH
THE POWER OFF

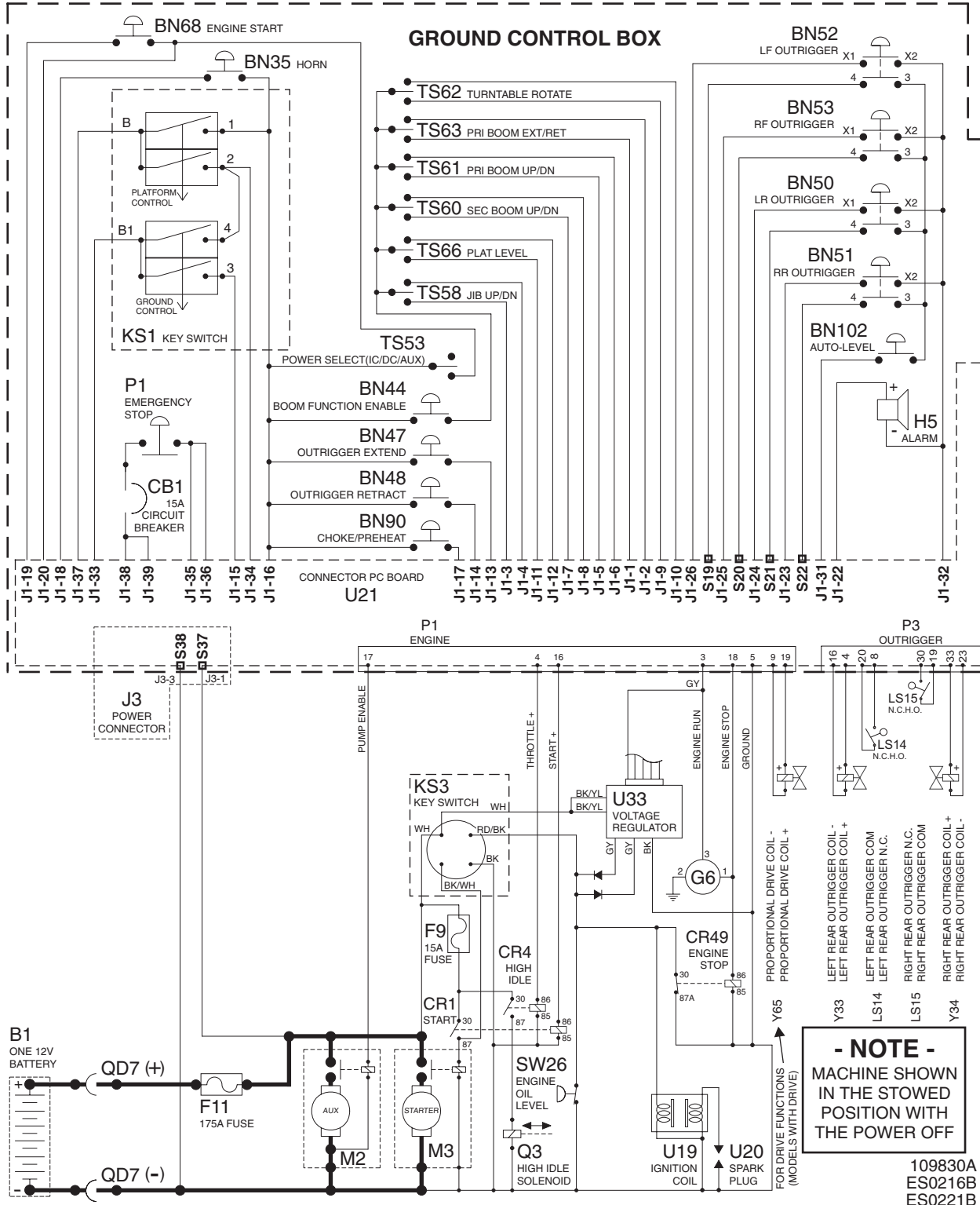
109830A
ES0230B
ES0235B



Electrical Schematic

Gasoline Models
(before serial number T5000-91)
Part 1 of 2

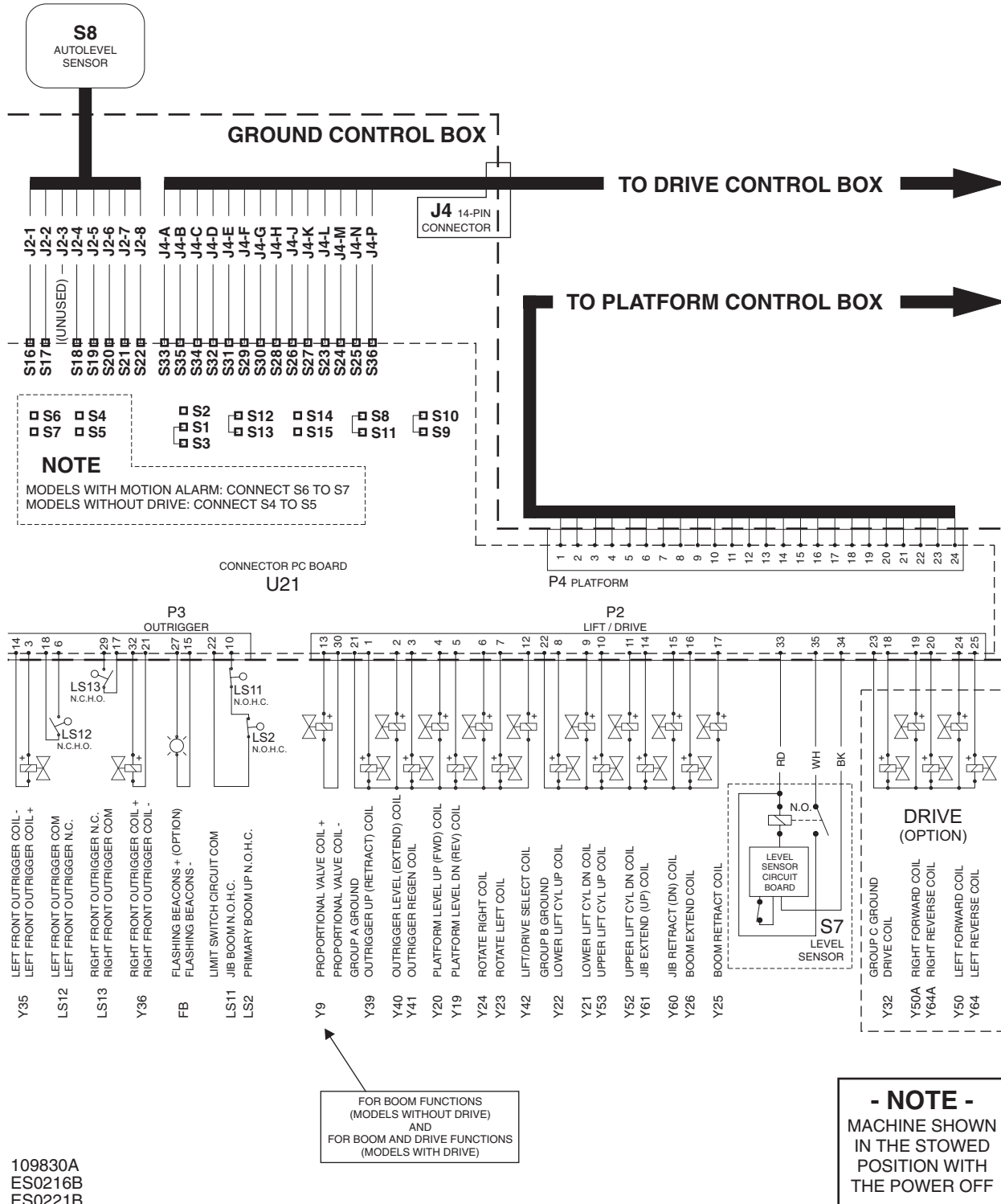
REV A



Electrical Schematic

Gasoline Models
(before serial number T5000-91)
Part 2 of 2

REV A



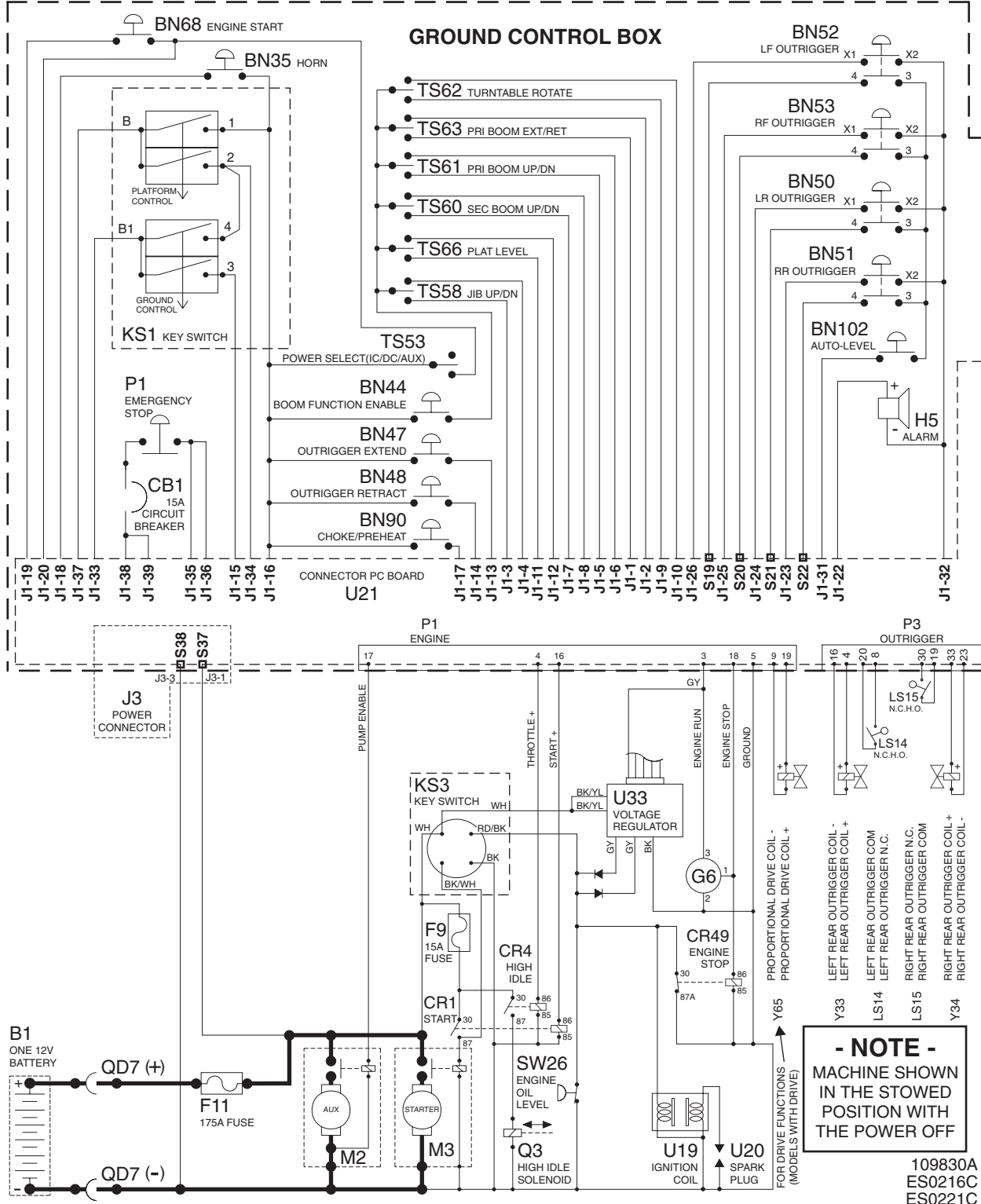
Electrical Schematic

Gasoline Models

REV A

(from serial number T5000-91 to T5002-24)

Part 1 of 2



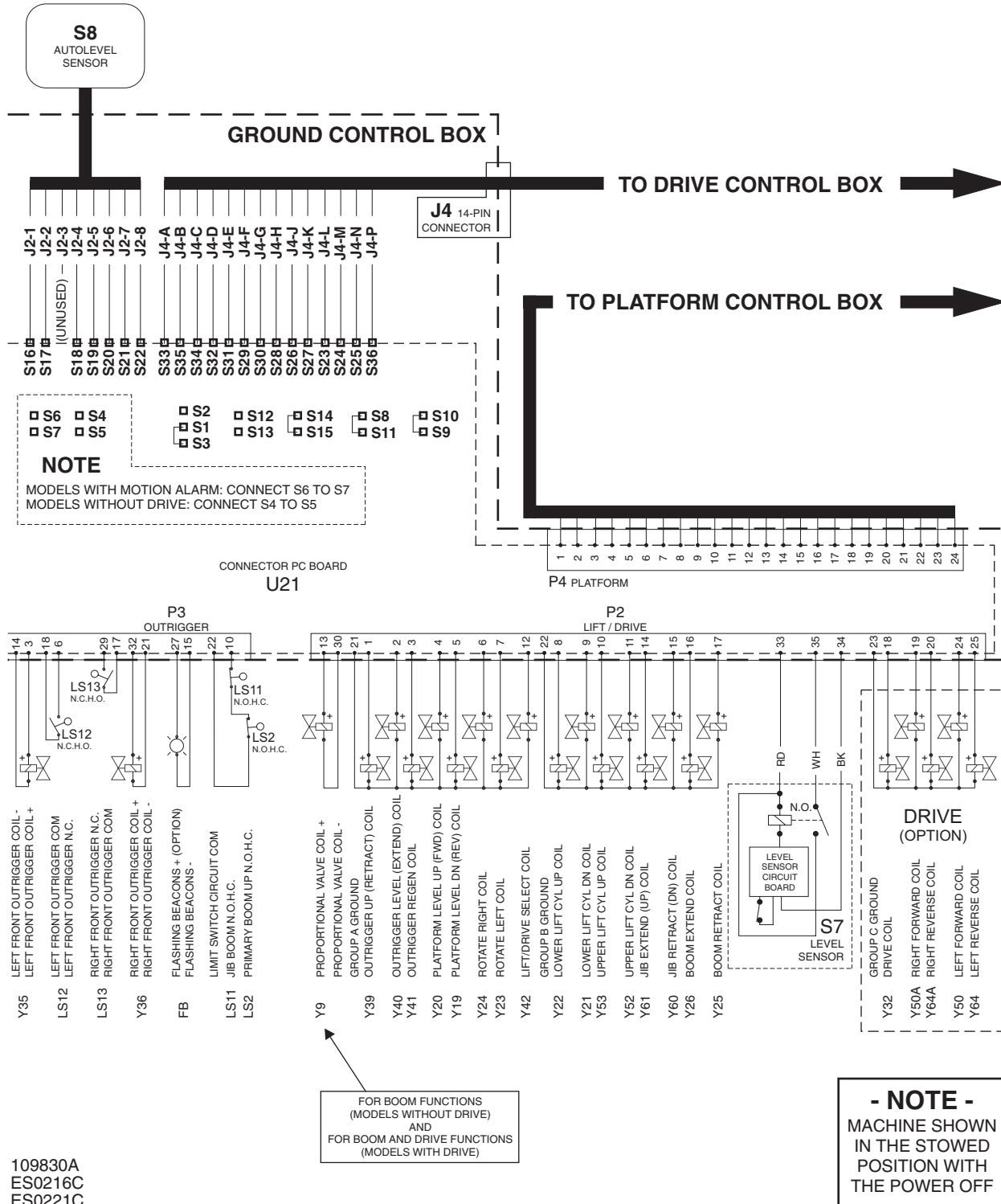
Electrical Schematic

Gasoline Models

(from serial number T5000-91 to T5002-24)

Part 2 of 2

REV A



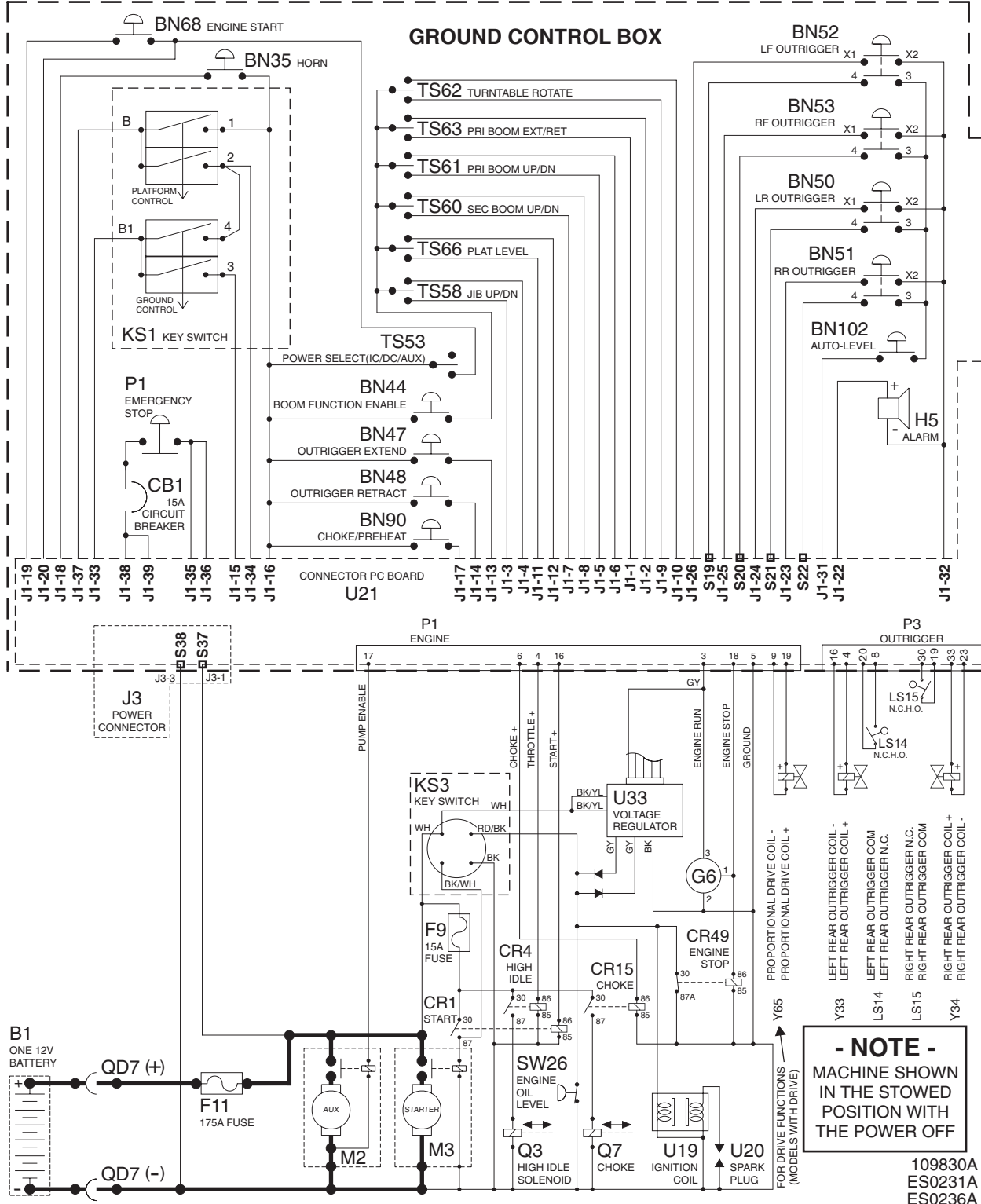
Electrical Schematic

Gasoline Models

REV A

(from serial number T5002-25 to TMZ5003-228)

Part 1 of 2



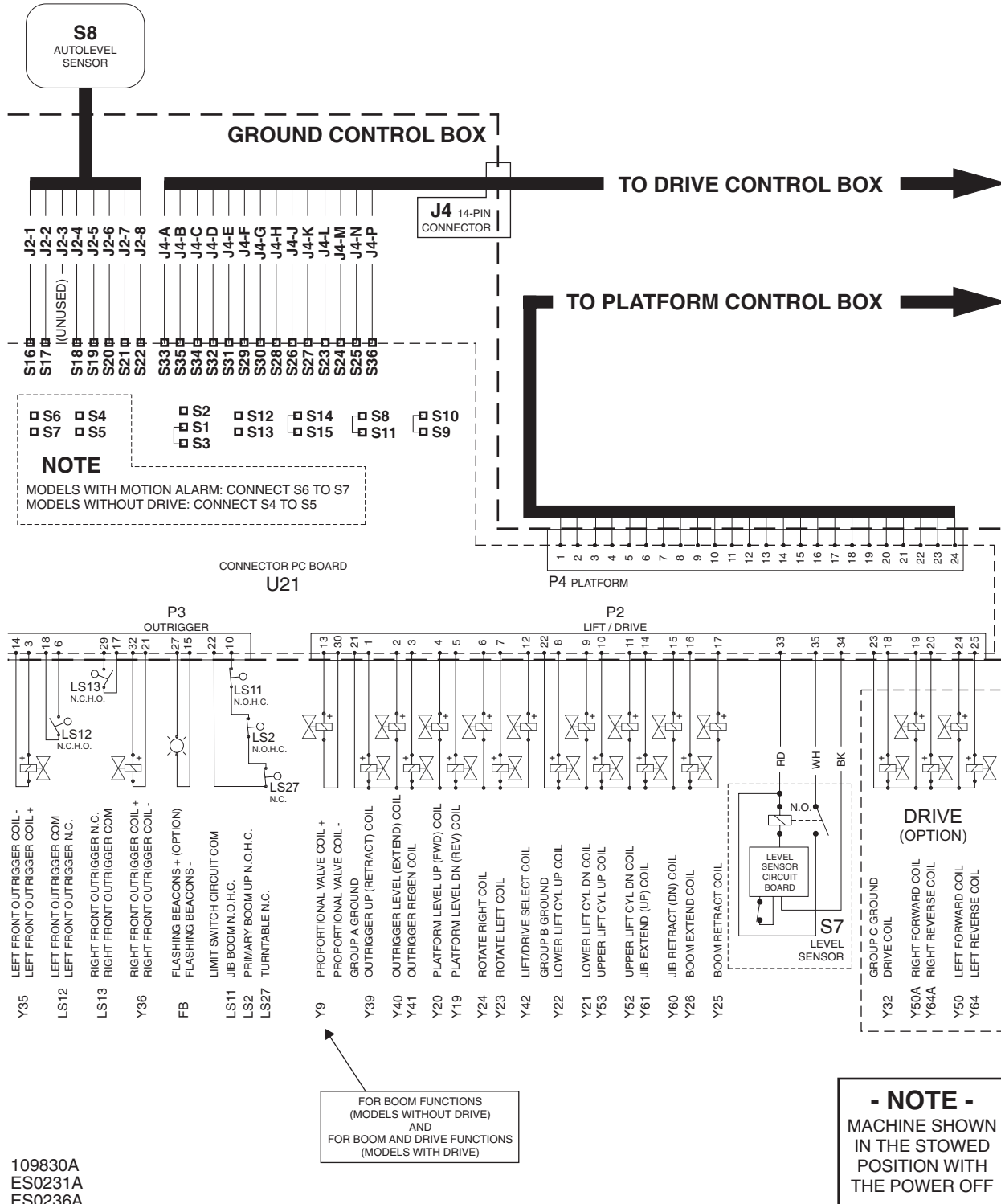
Electrical Schematic

Gasoline Models

(from serial number T5002-25 to TMZ5003-228)

Part 2 of 2

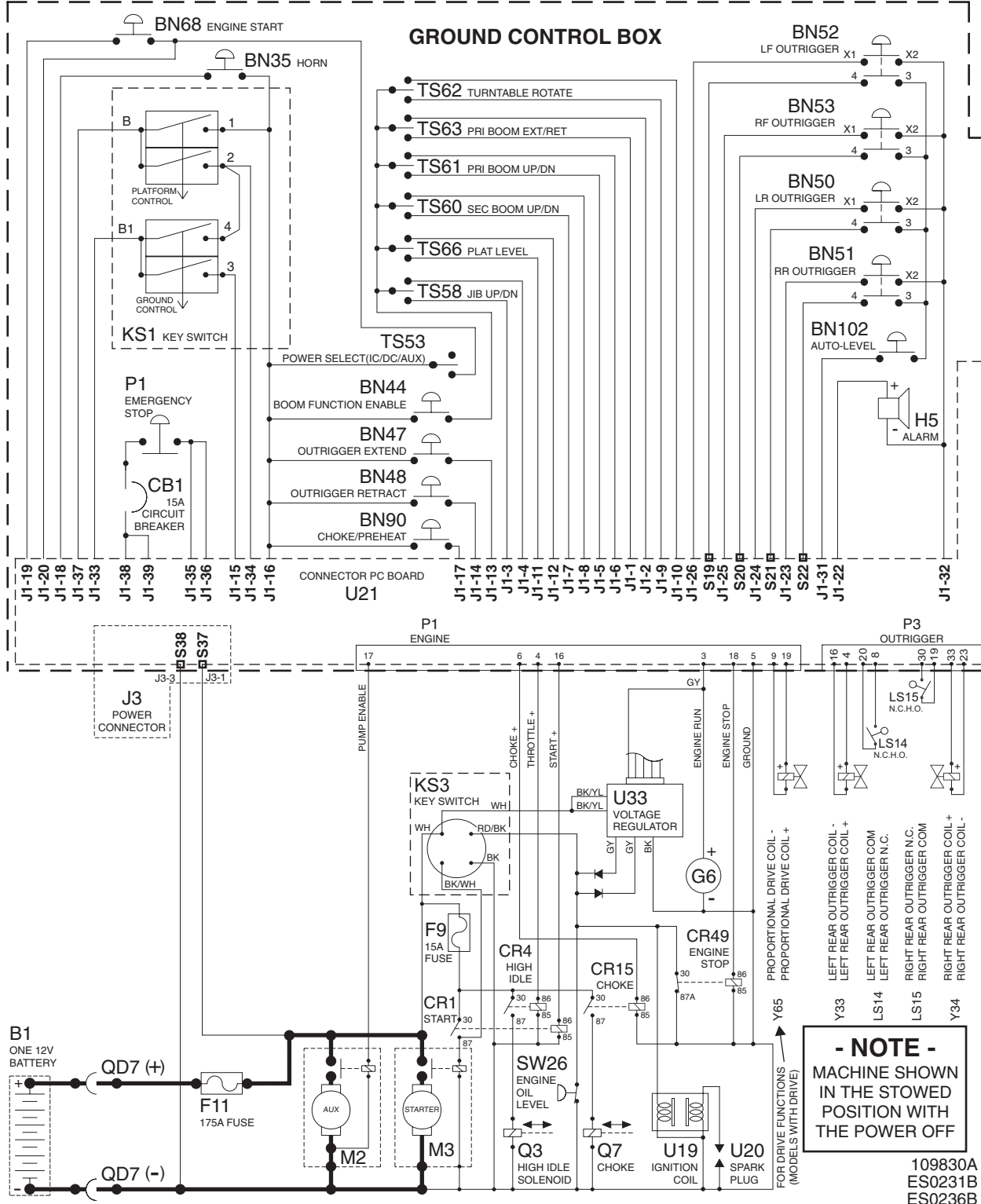
REV A



Electrical Schematic

Gasoline Models
 (after serial number TMZ5003-228)
 Part 1 of 2

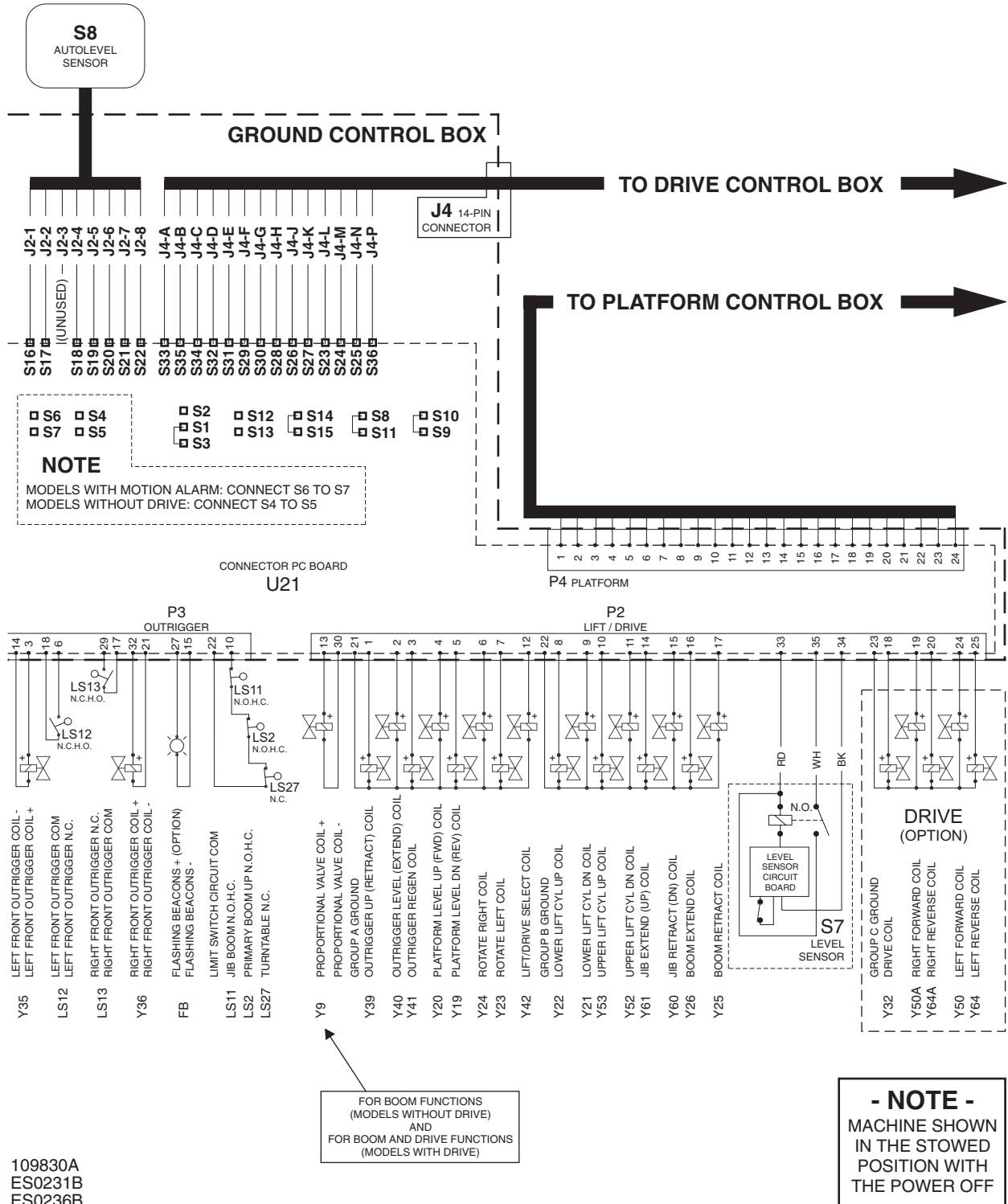
REV A



Electrical Schematic

Gasoline Models
(after serial number TMZ5003-228)
Part 2 of 2

REV A

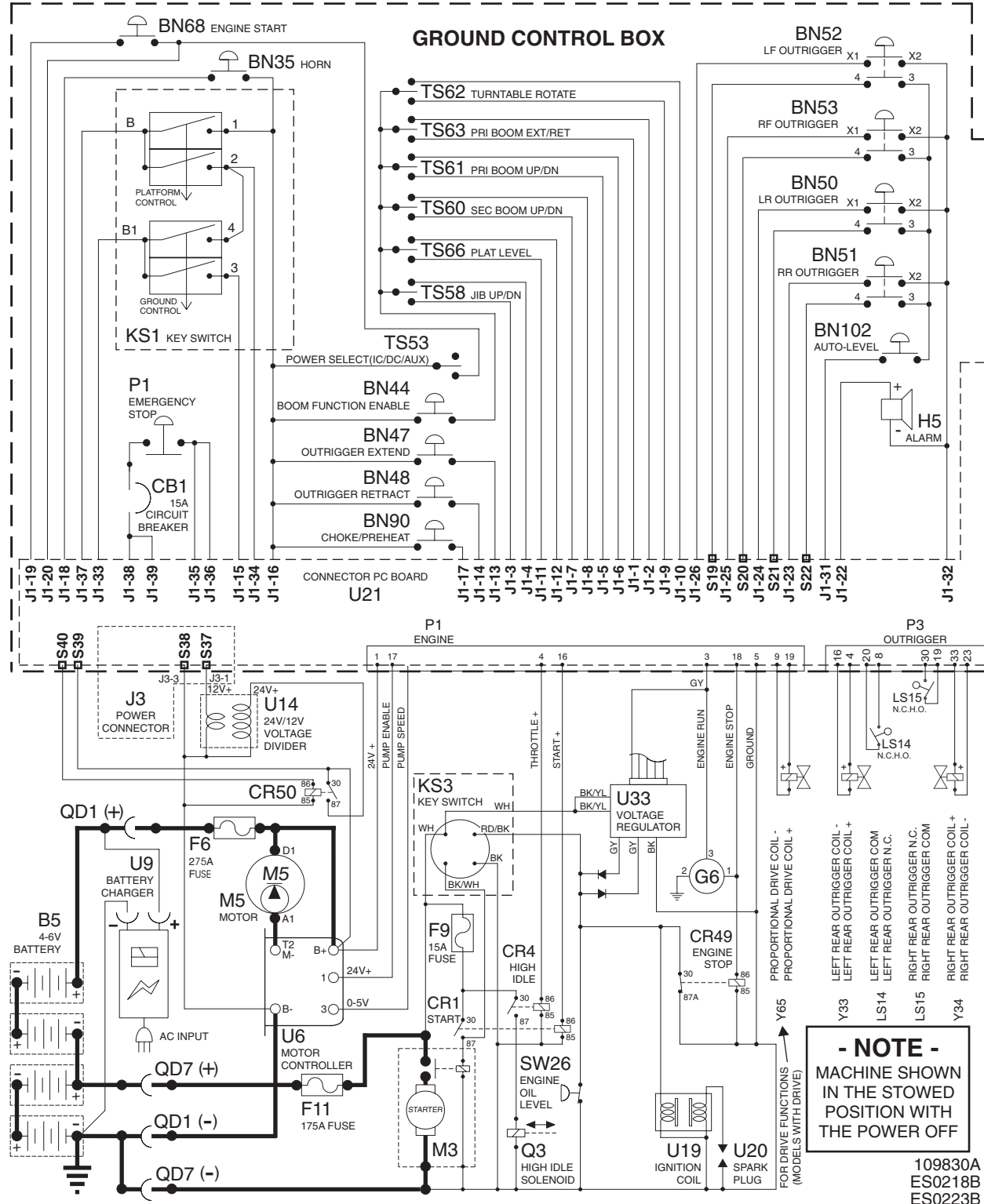


Electrical Schematic

Gasoline Bi-Fuel Models
(before serial number T5000-91)

REV A

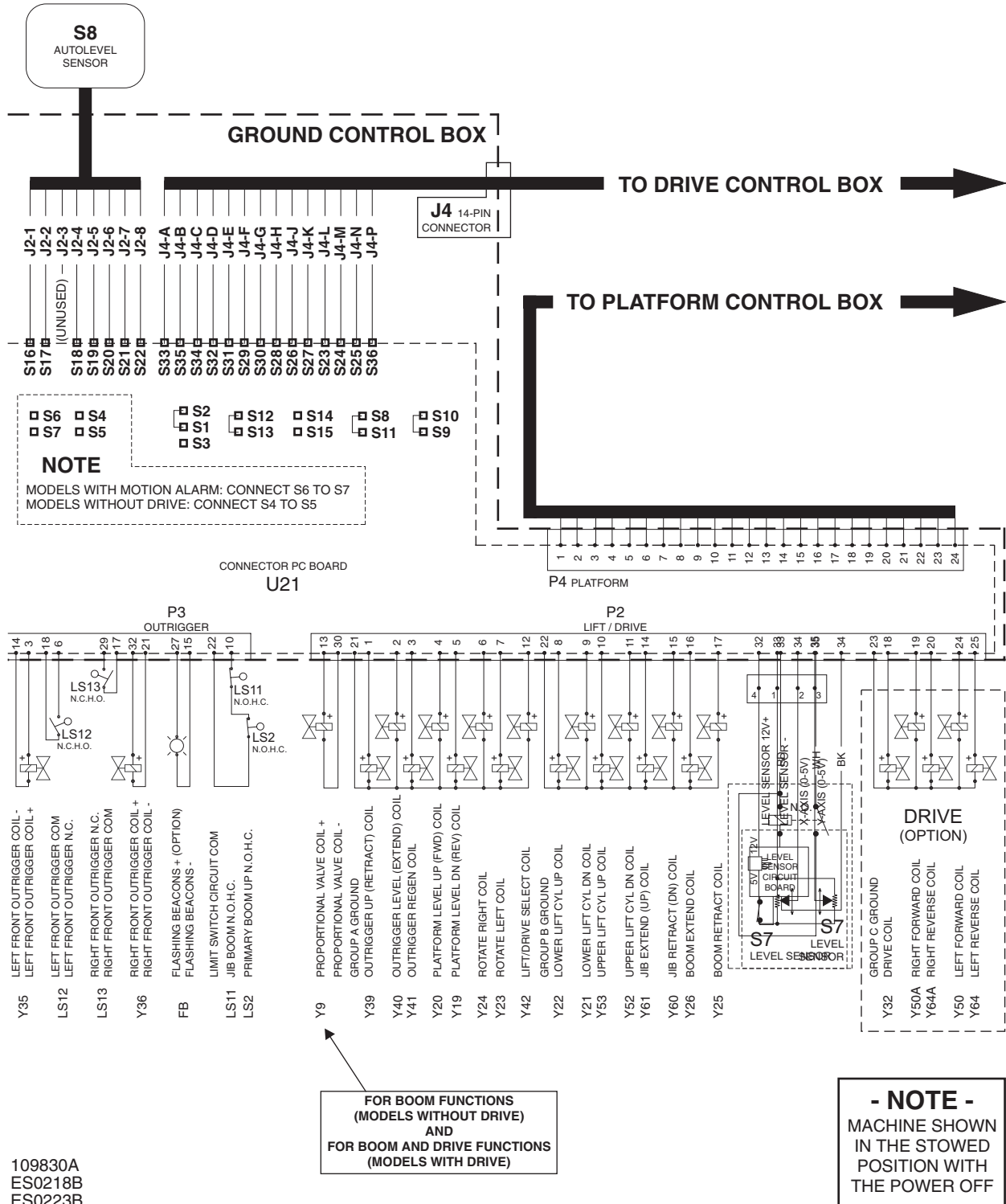
Part 1 of 2



Electrical Schematic

Gasoline Bi-Fuel Models
(before serial number T5000-91)
Part 2 of 2

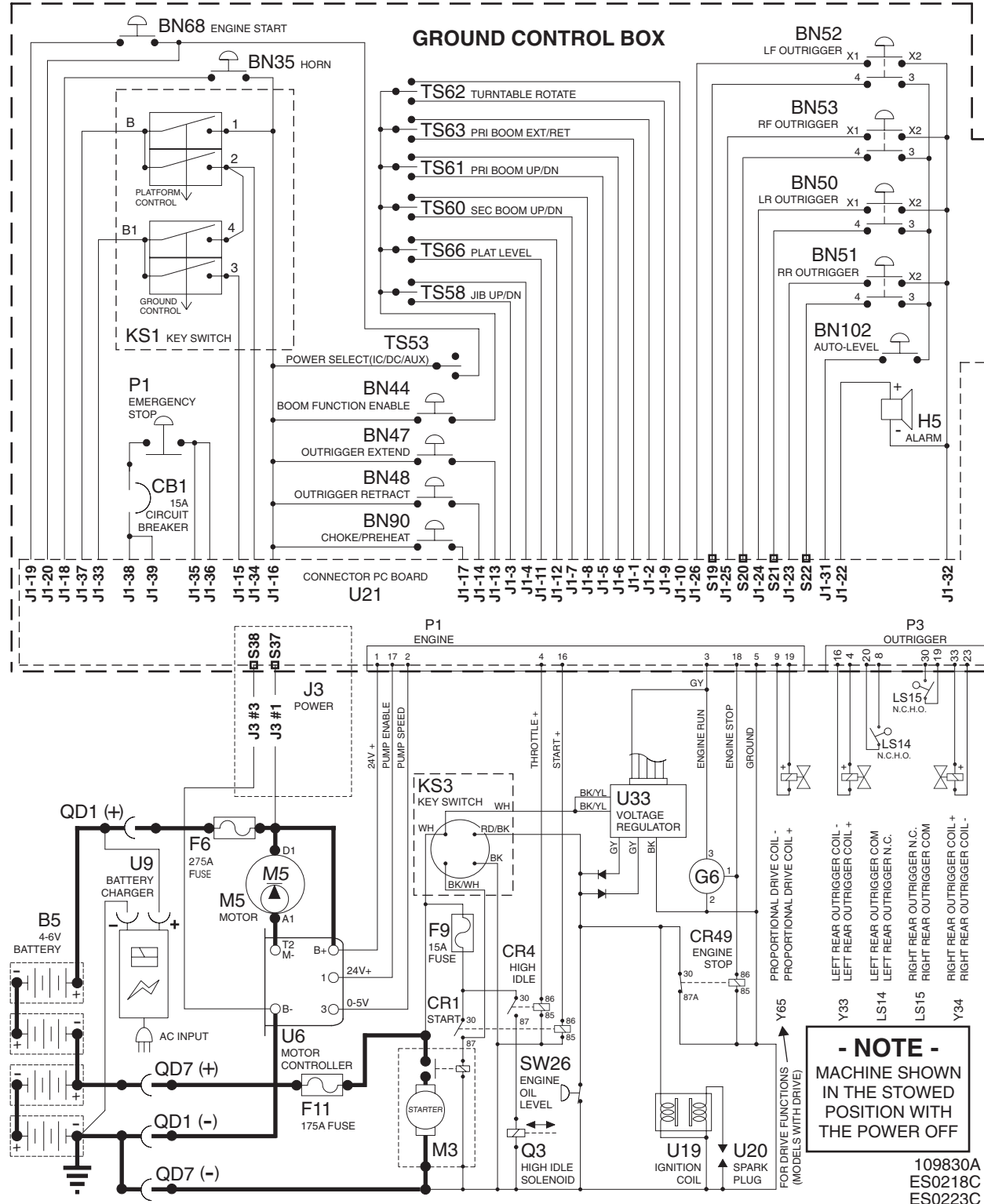
REV A



Electrical Schematic

Gasoline Bi-Fuel Models
 (from serial number T5000-91 to T5002-24)
 Part 1 of 2

REV A



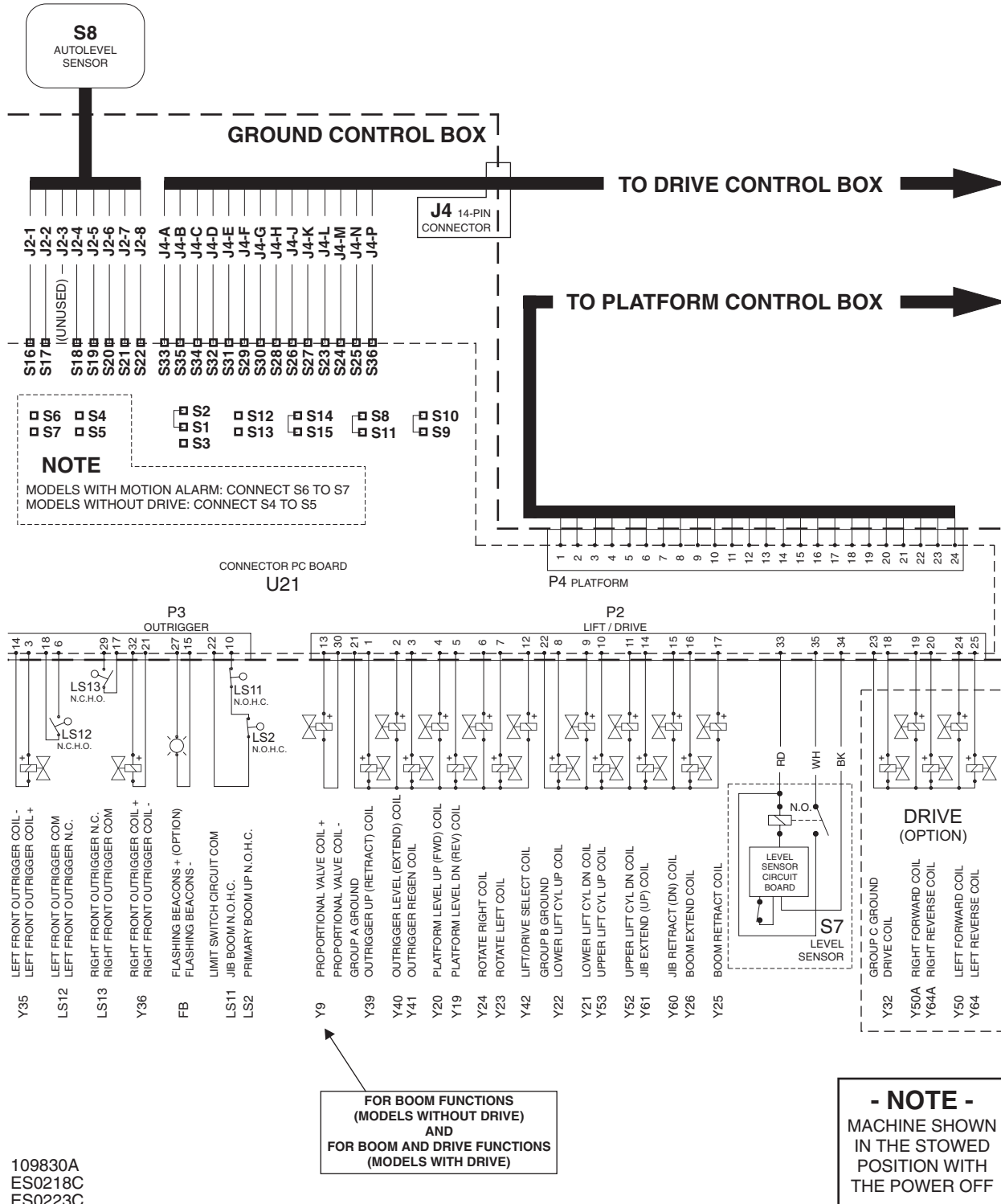
Electrical Schematic

Gasoline Bi-Fuel Models

(from serial number T5000-91 to T5002-24)

Part 2 of 2

REV A



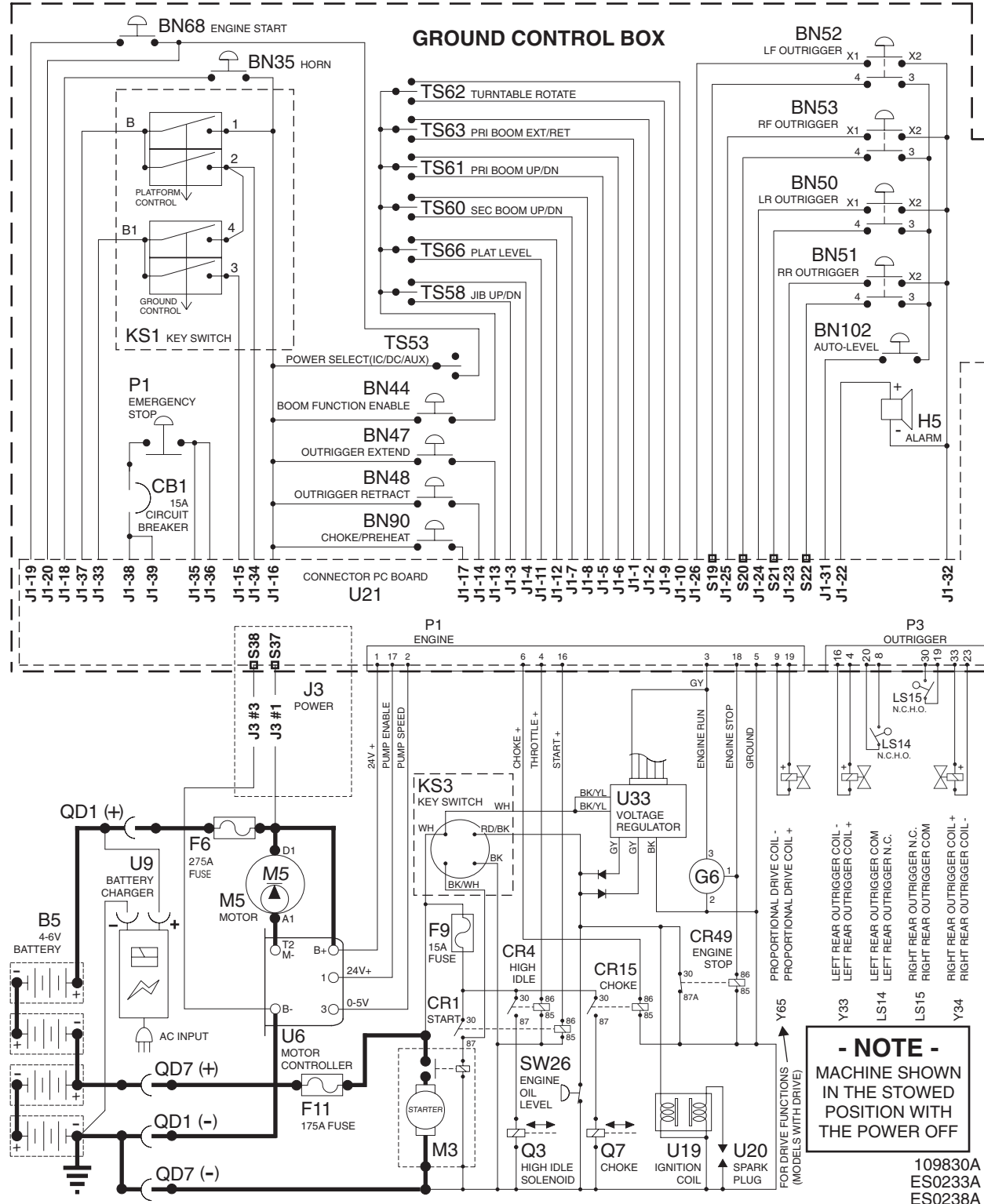
Electrical Schematic

Gasoline Bi-Fuel Models

(from serial number T5002-25 to TMZ5003-228)

Part 1 of 2

REV A



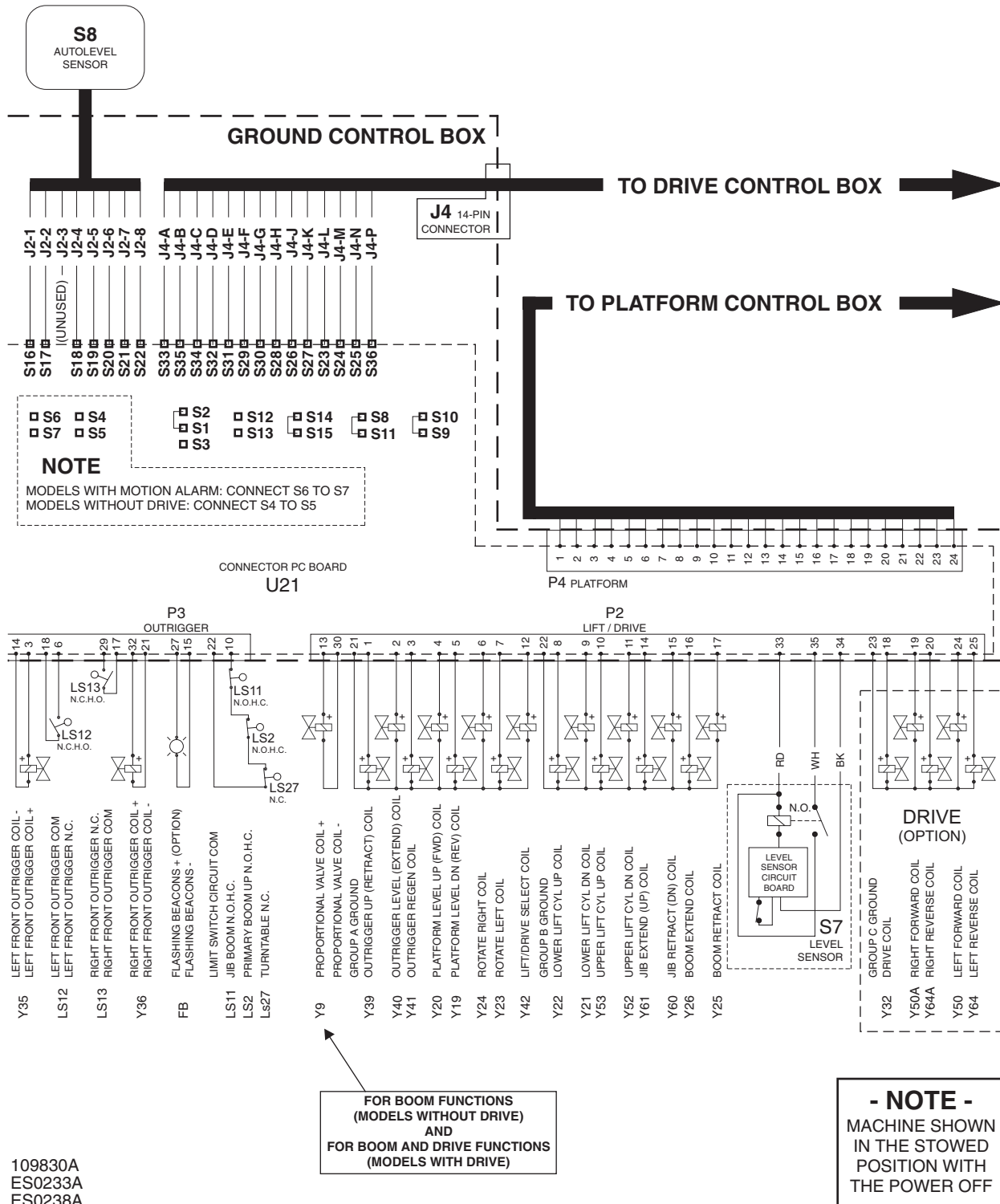
Electrical Schematic

Gasoline Bi-Fuel Models

(from serial number T5002-25 to TMZ5003-228)

Part 2 of 2

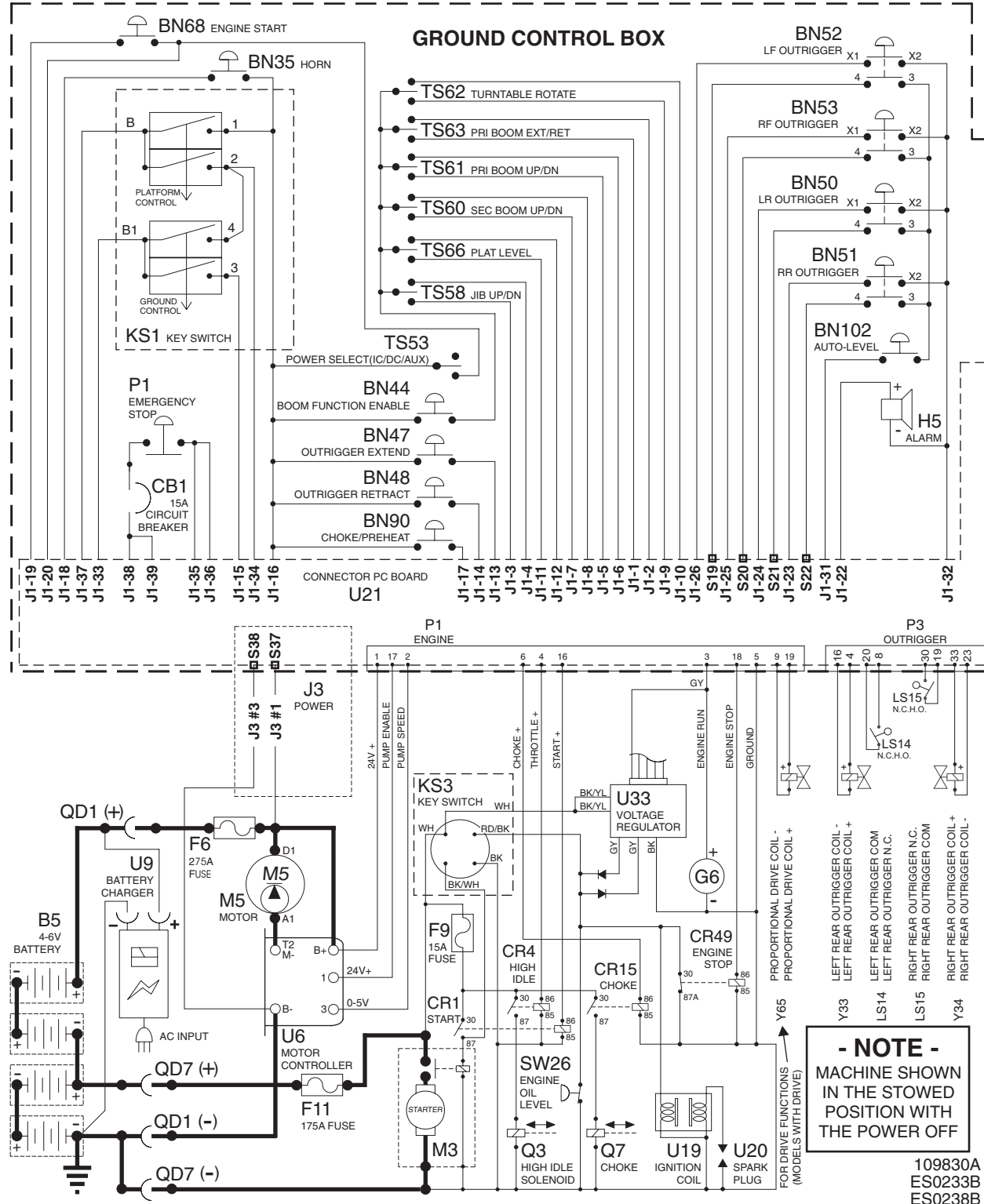
REV A



Electrical Schematic

Gasoline Bi-Fuel Models
(after serial number TMZ5003-228)
Part 1 of 2

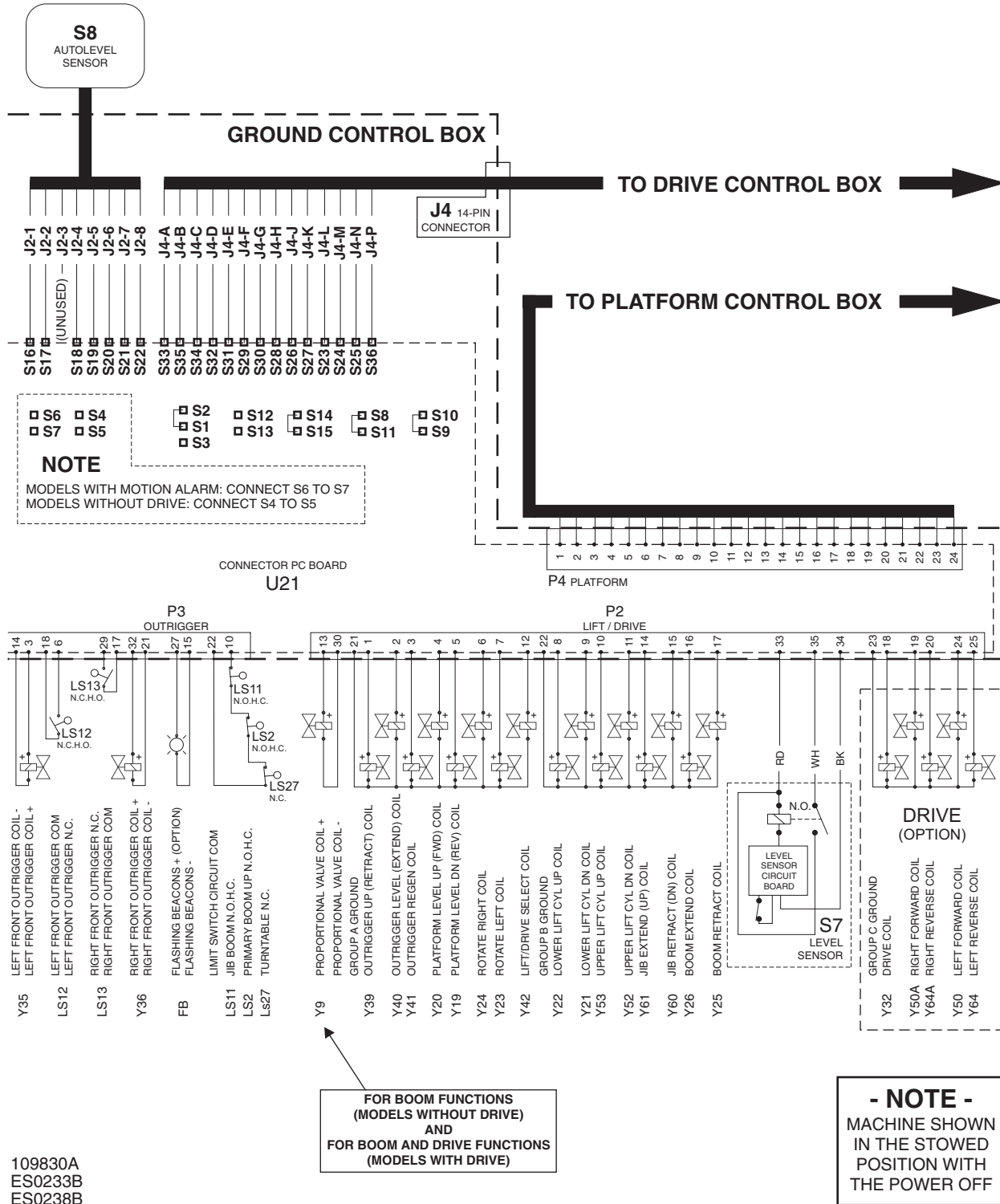
REV A



Electrical Schematic

Gasoline Bi-Fuel Models
(after serial number TMZ5003-228)
Part 2 of 2

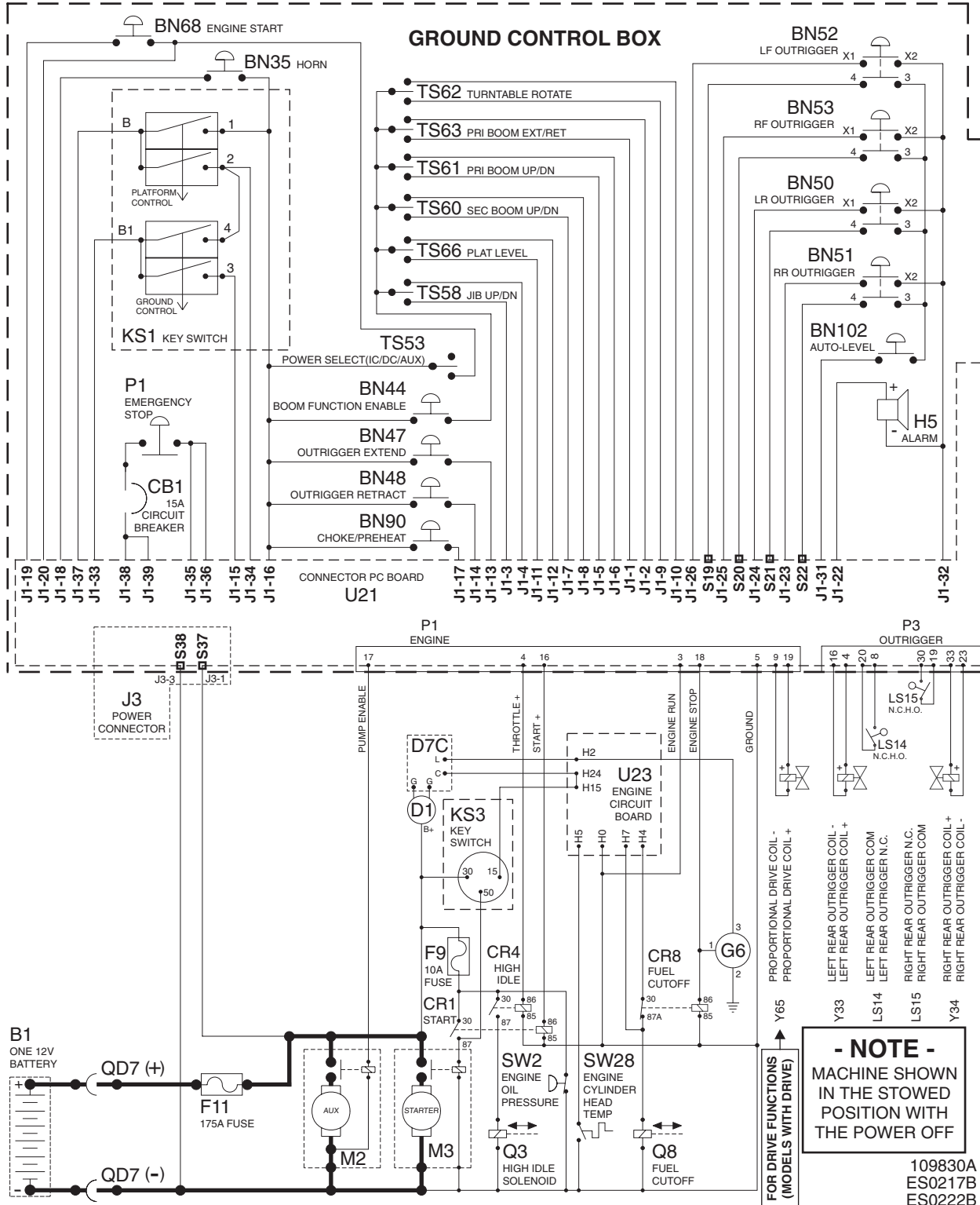
REV A



Electrical Schematic

Diesel Models
(before serial number T5000-91)
Part 1 of 2

REV A



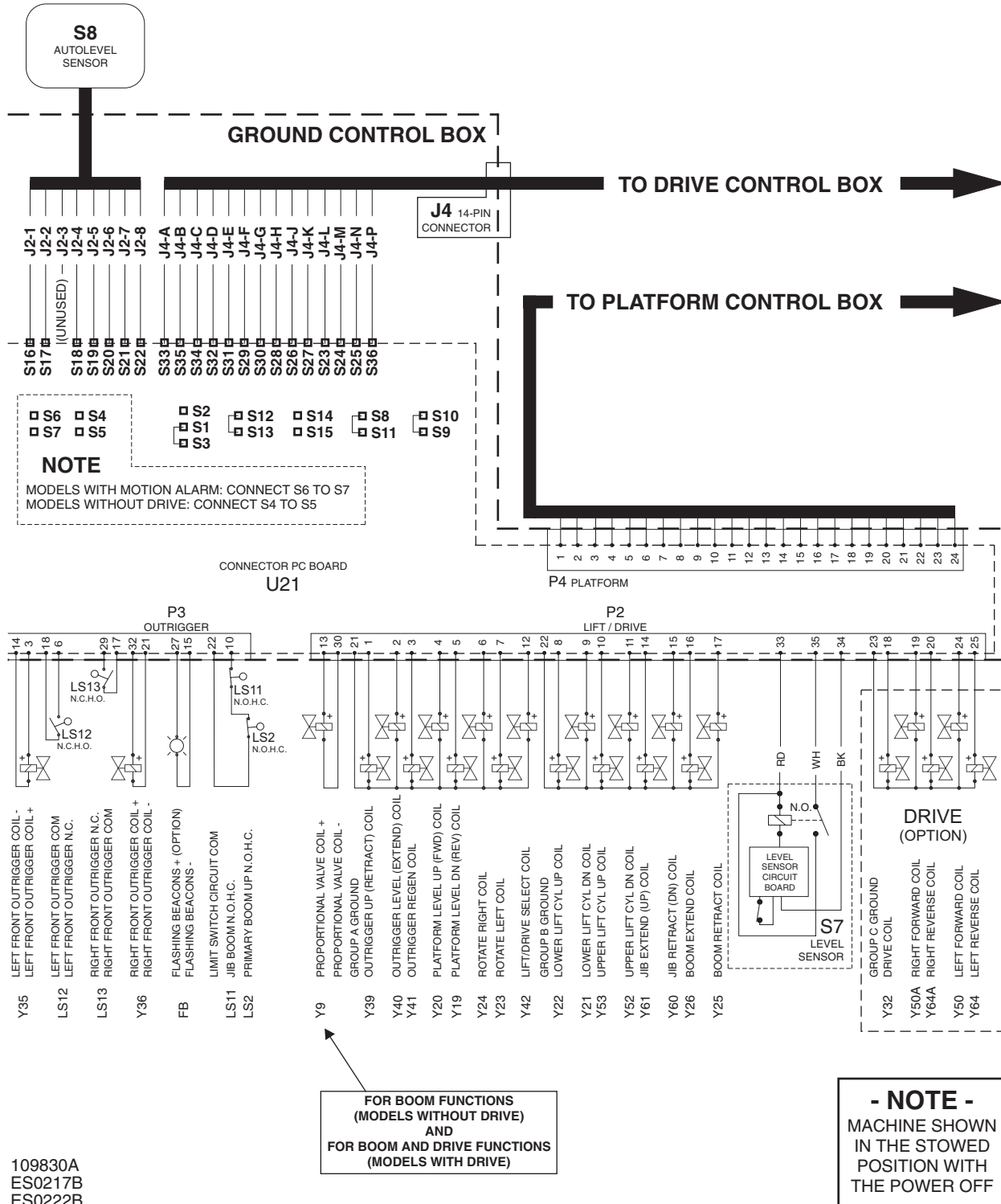
Electrical Schematic

Diesel Models

(before serial number T5000-91)

Part 2 of 2

REV A



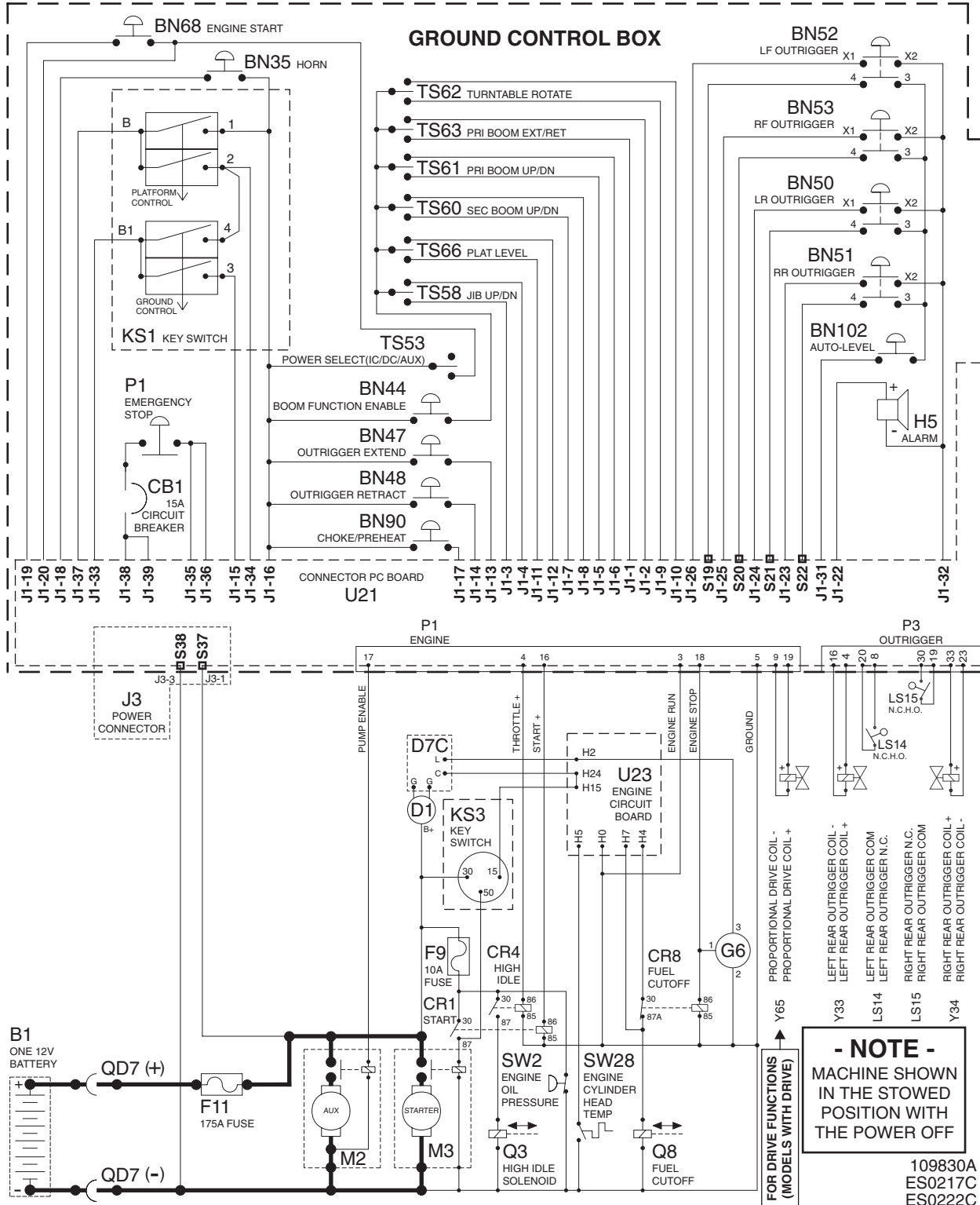
Electrical Schematic

Diesel Models

REV A

(from serial number T5000-91 to T5002-24)

Part 1 of 2



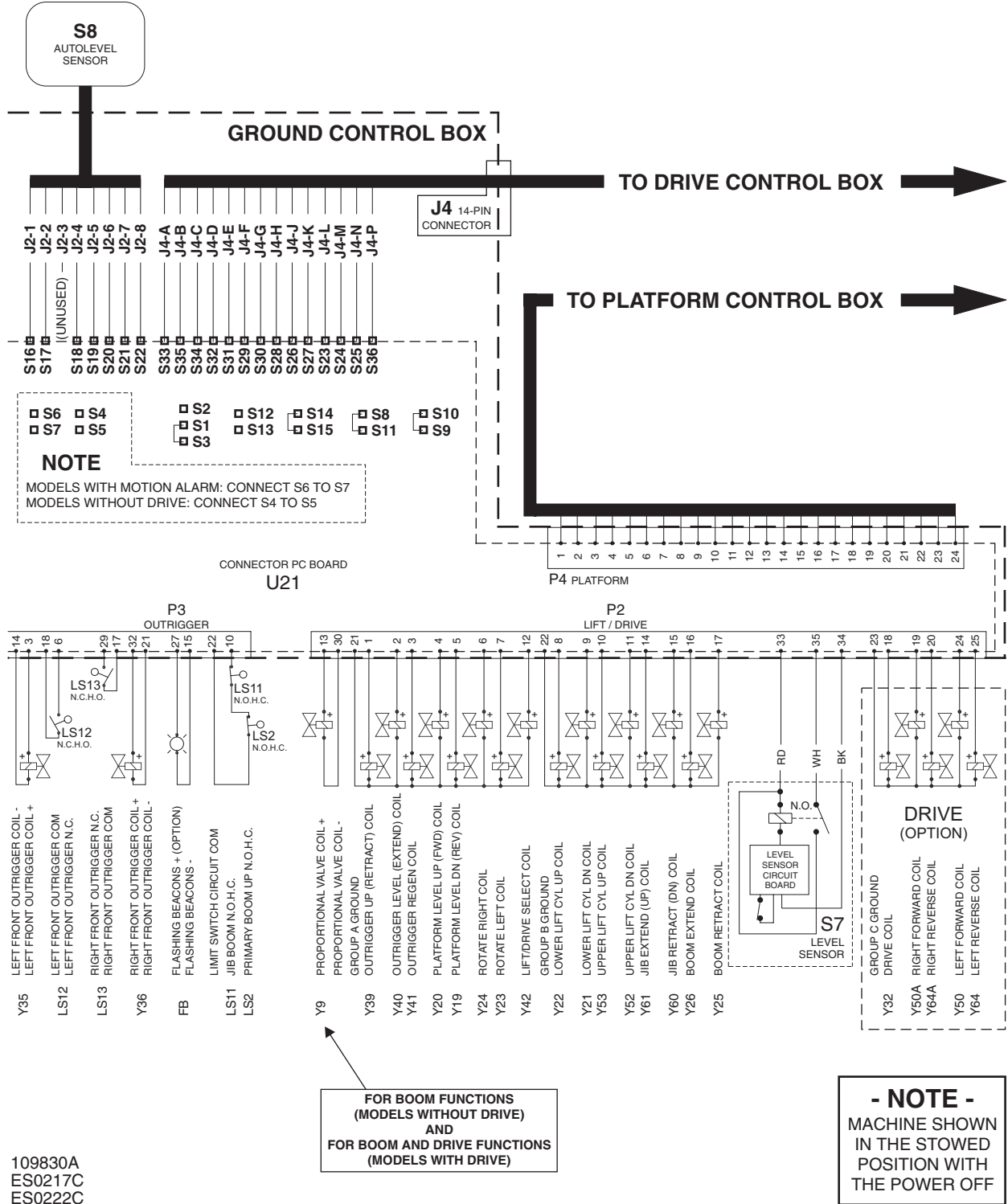
Electrical Schematic

Diesel Models

(from serial number T5000-91 to T5002-24)

Part 2 of 2

REV A



109830A
ES0217C
ES0222C



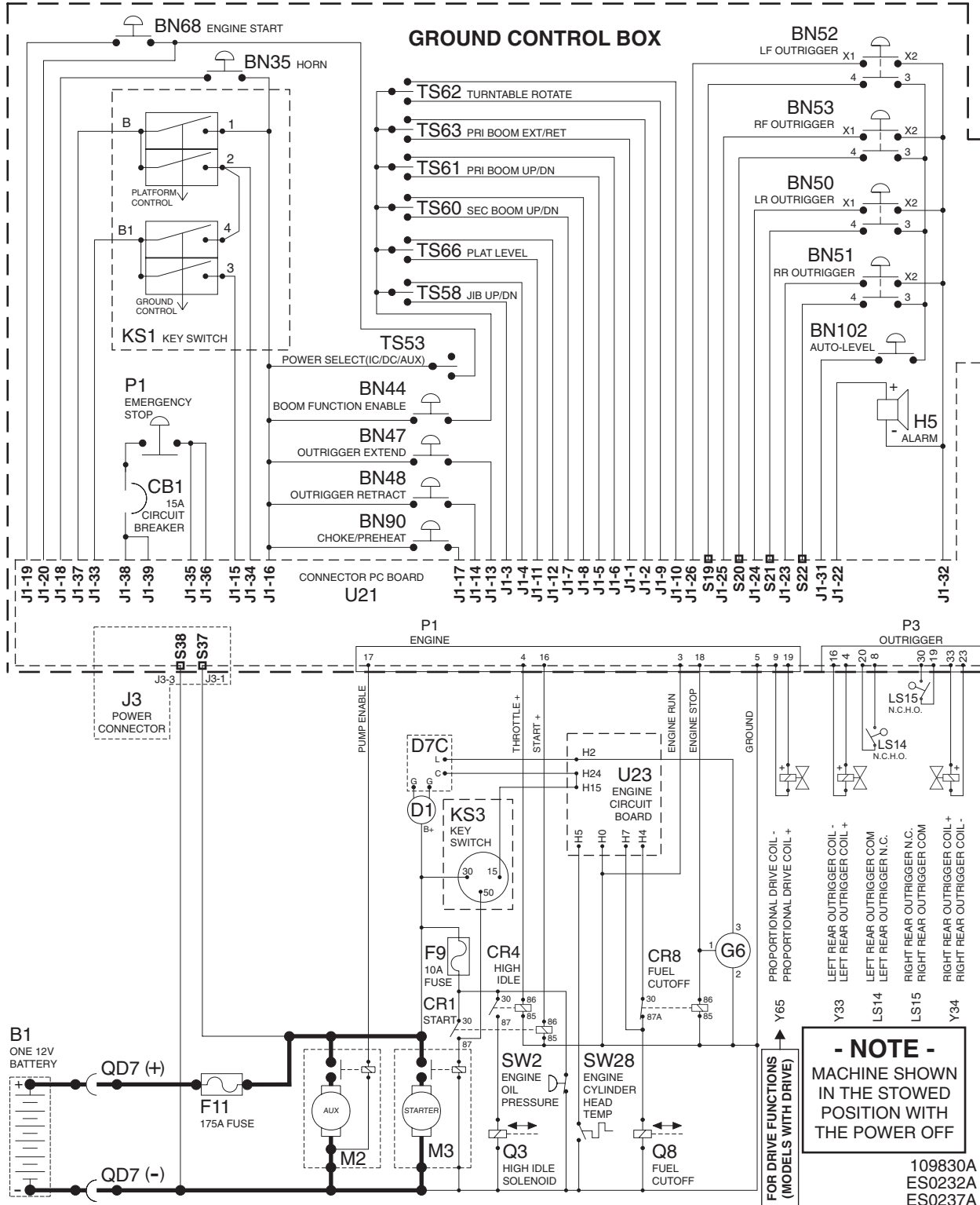
Electrical Schematic

Diesel Models

REV A

(from serial number T5002-25 to TMZ5003-228)

Part 1 of 2



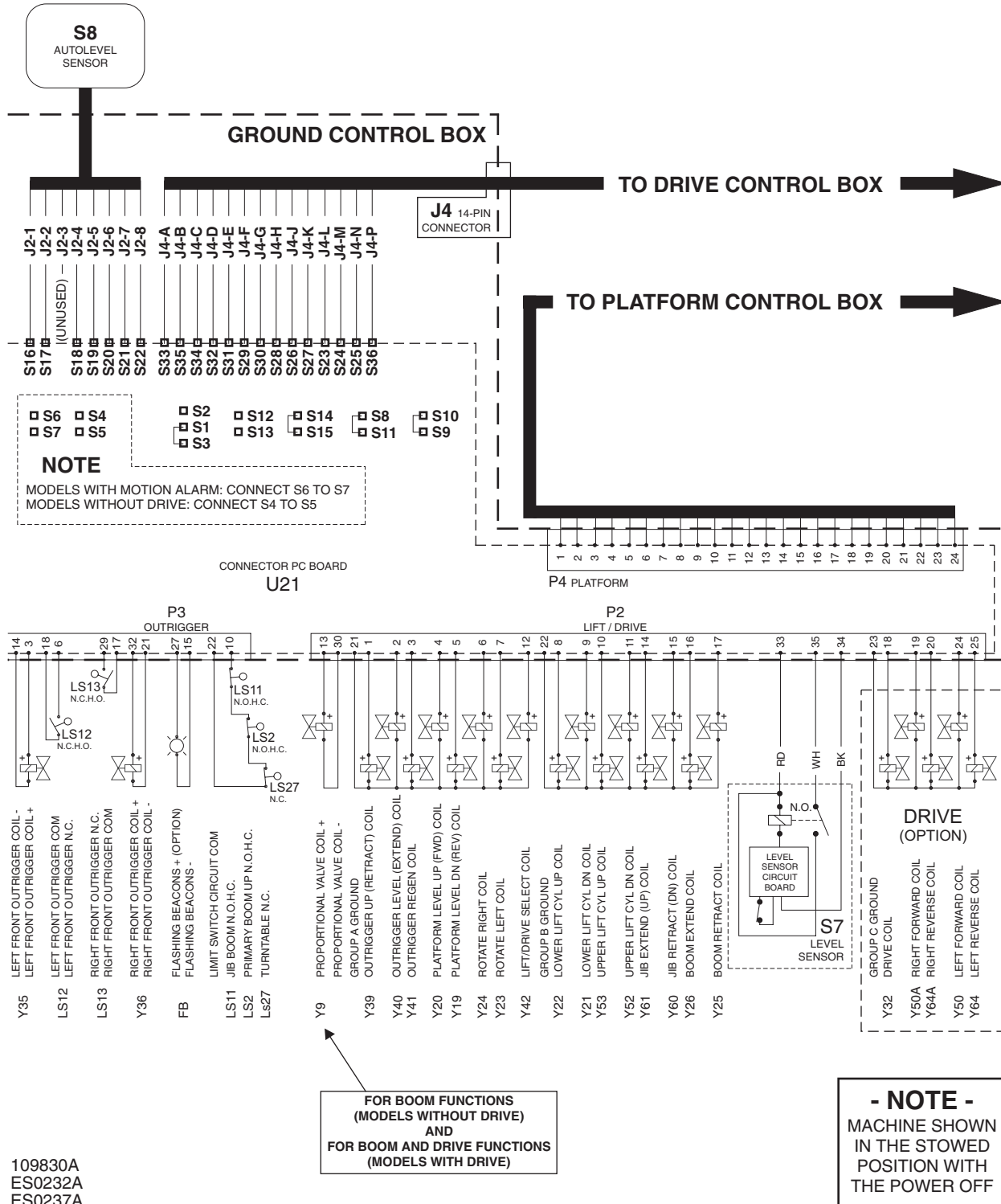
Electrical Schematic

Diesel Models

(from serial number T5002-25 to TMZ5003-228)

Part 2 of 2

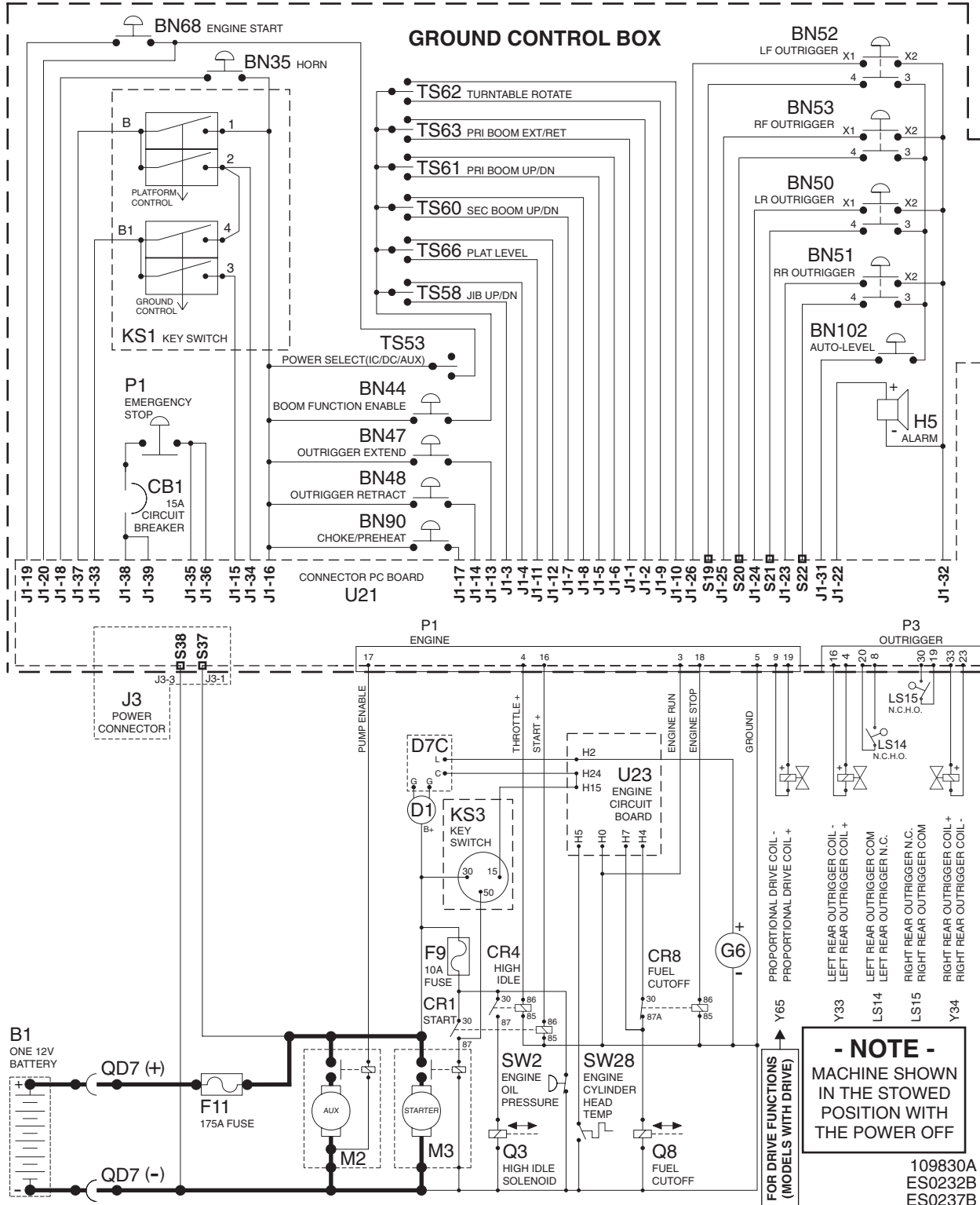
REV A



Electrical Schematic

Diesel Models
(after serial number TMZ5003-228)
Part 1 of 2

REV A



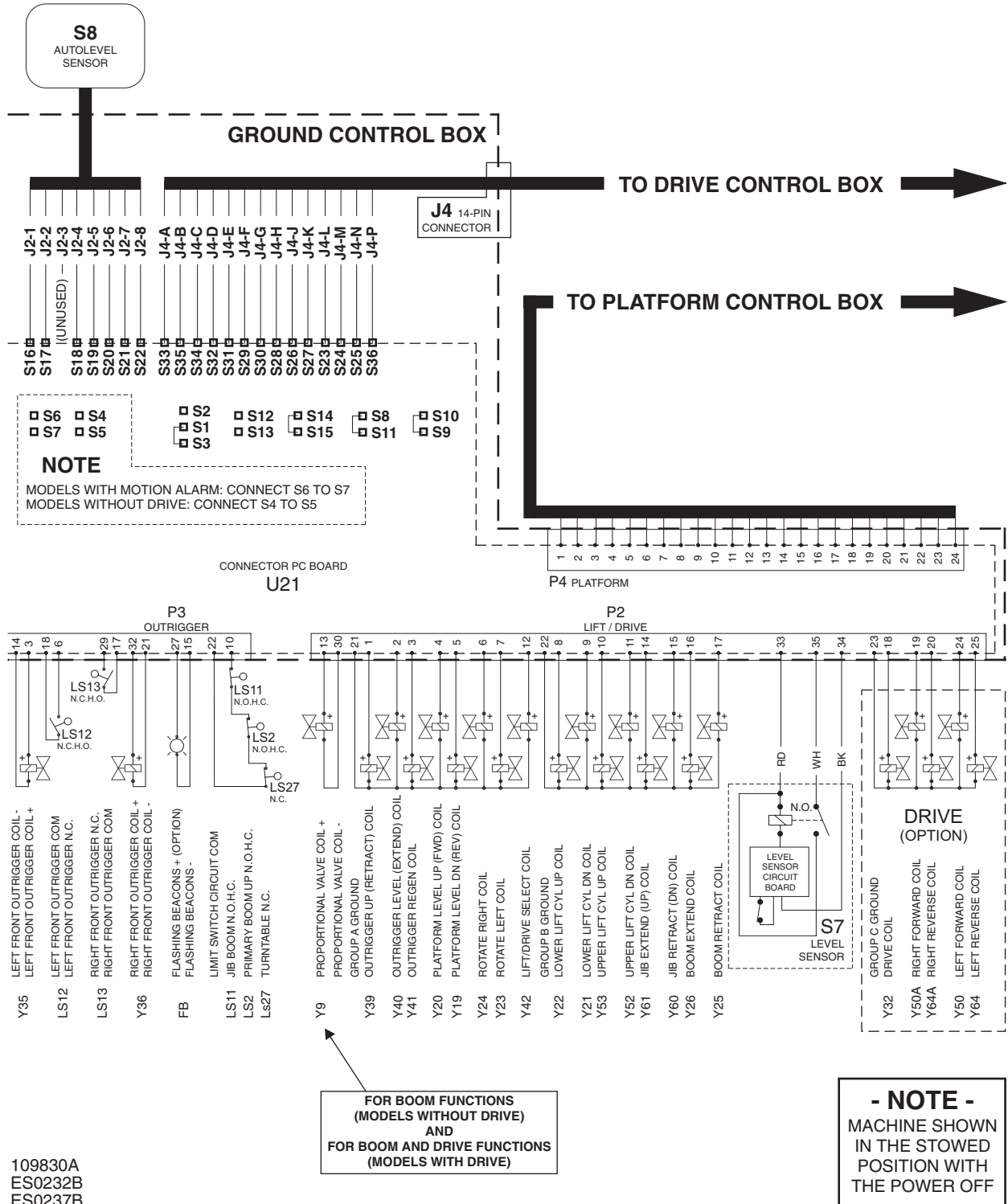
Electrical Schematic

Diesel Models

(after serial number TMZ5003-228)

Part 2 of 2

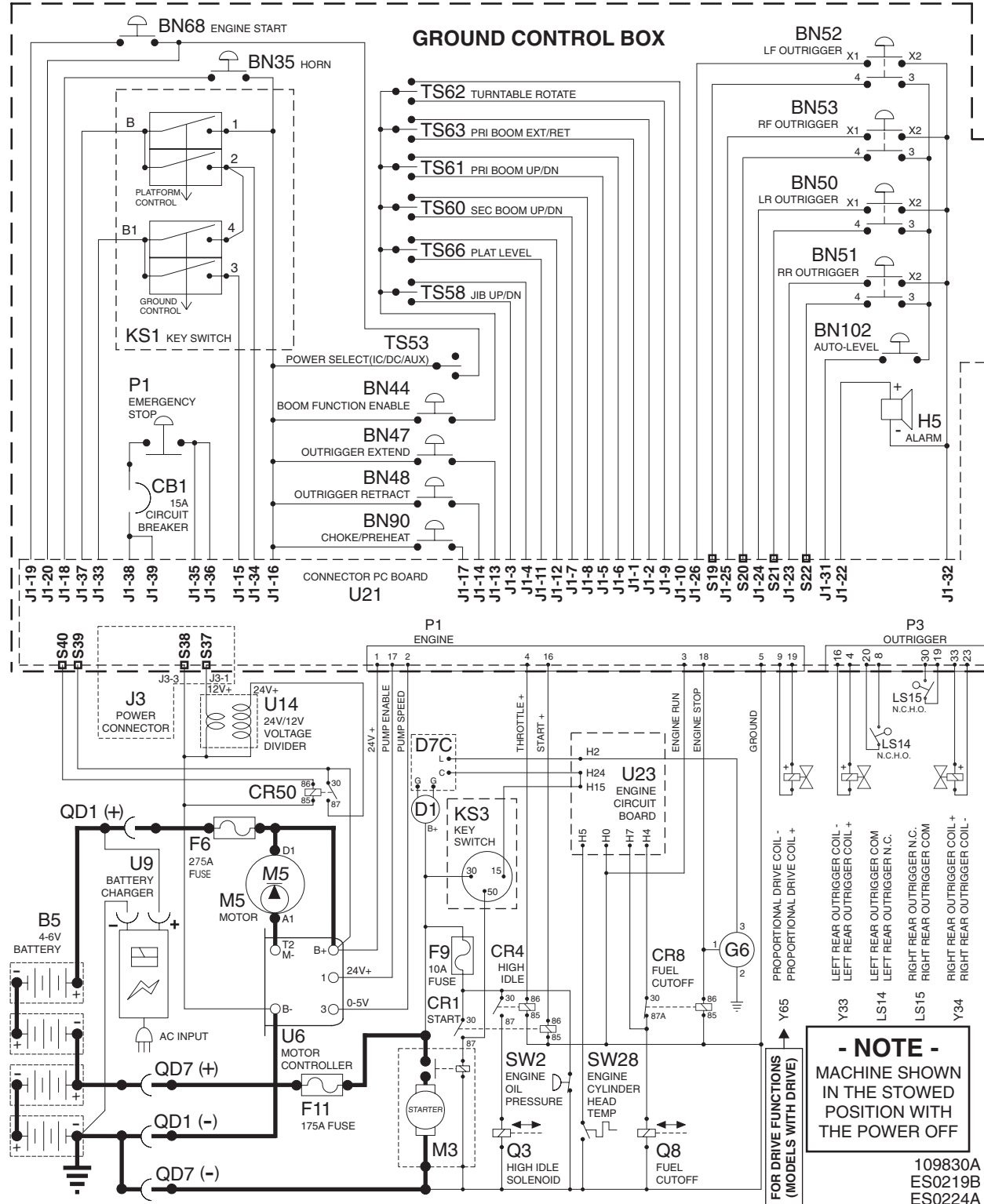
REV A



Electrical Schematic

Diesel Bi-Fuel Models
(before serial number T5000-91)
Part 1 of 2

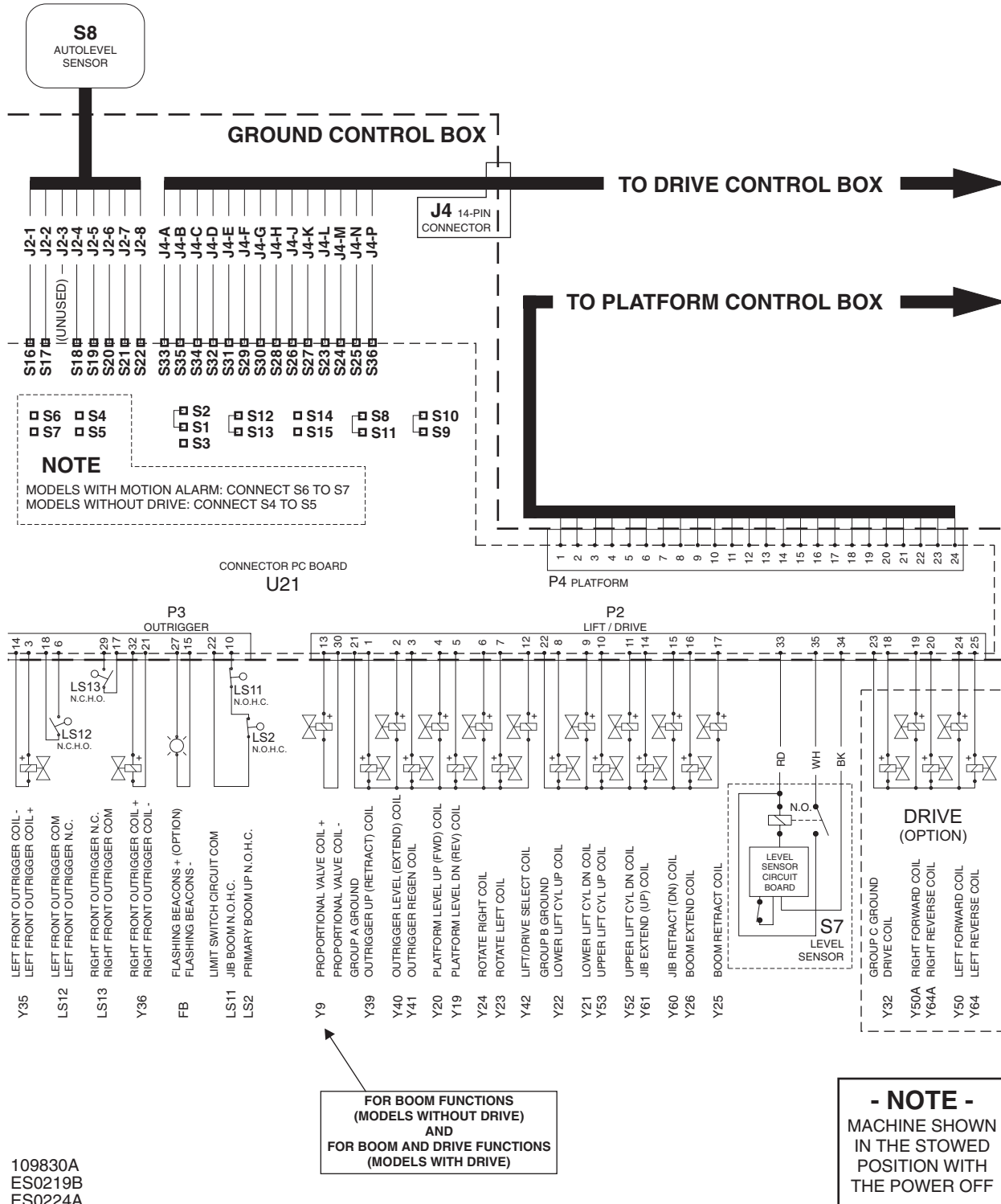
REV A



Electrical Schematic

Diesel Bi-Fuel Models
(before serial number T5000-91)
Part 2 of 2

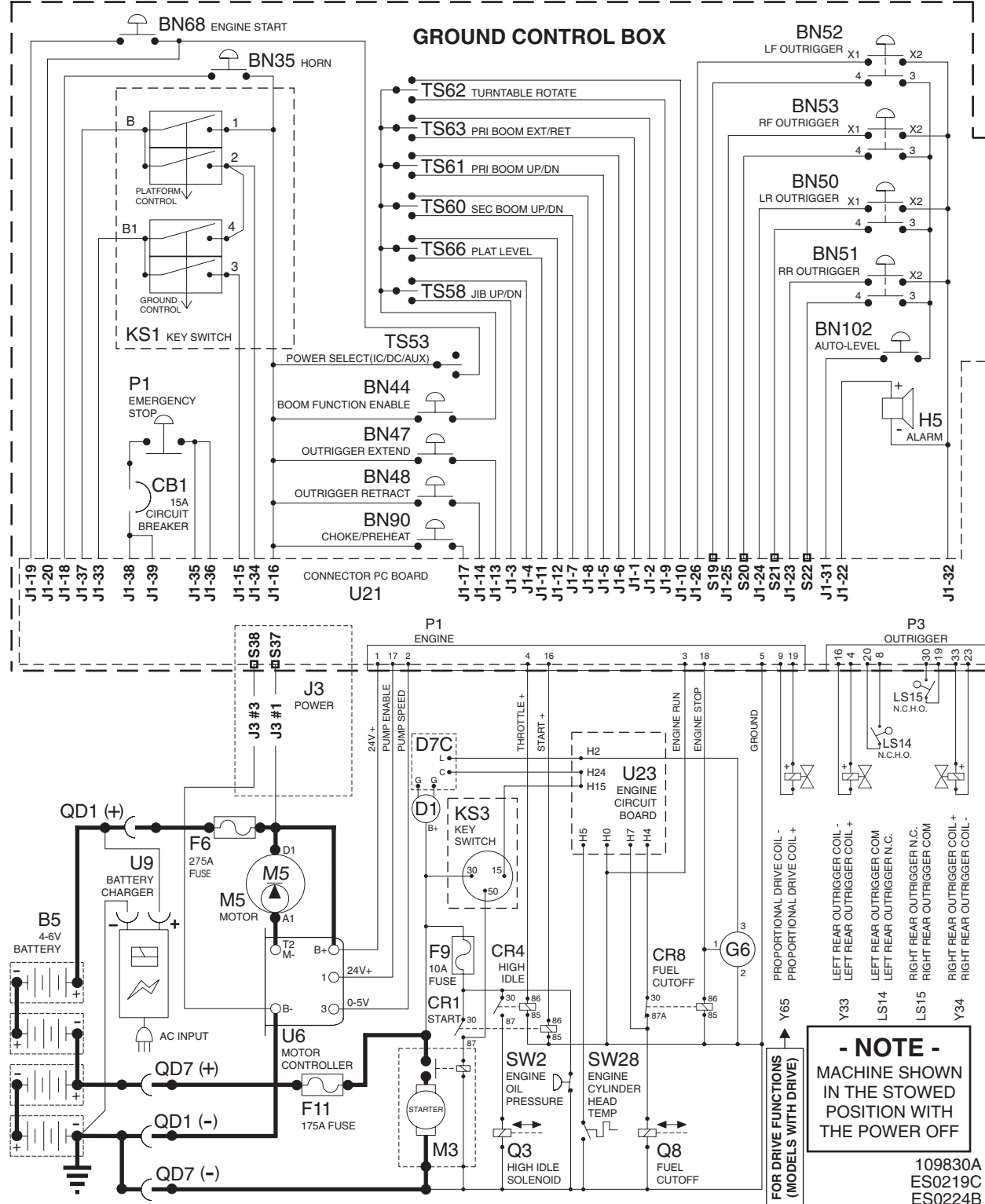
REV A



Electrical Schematic

Diesel Bi-Fuel Models
(from serial number T5000-91 to T5002-24)
Part 1 of 2

REV A



- NOTE -
MACHINE SHOWN
IN THE STOWED
POSITION WITH
THE POWER OFF

109830A
ES0219C
ES0224B



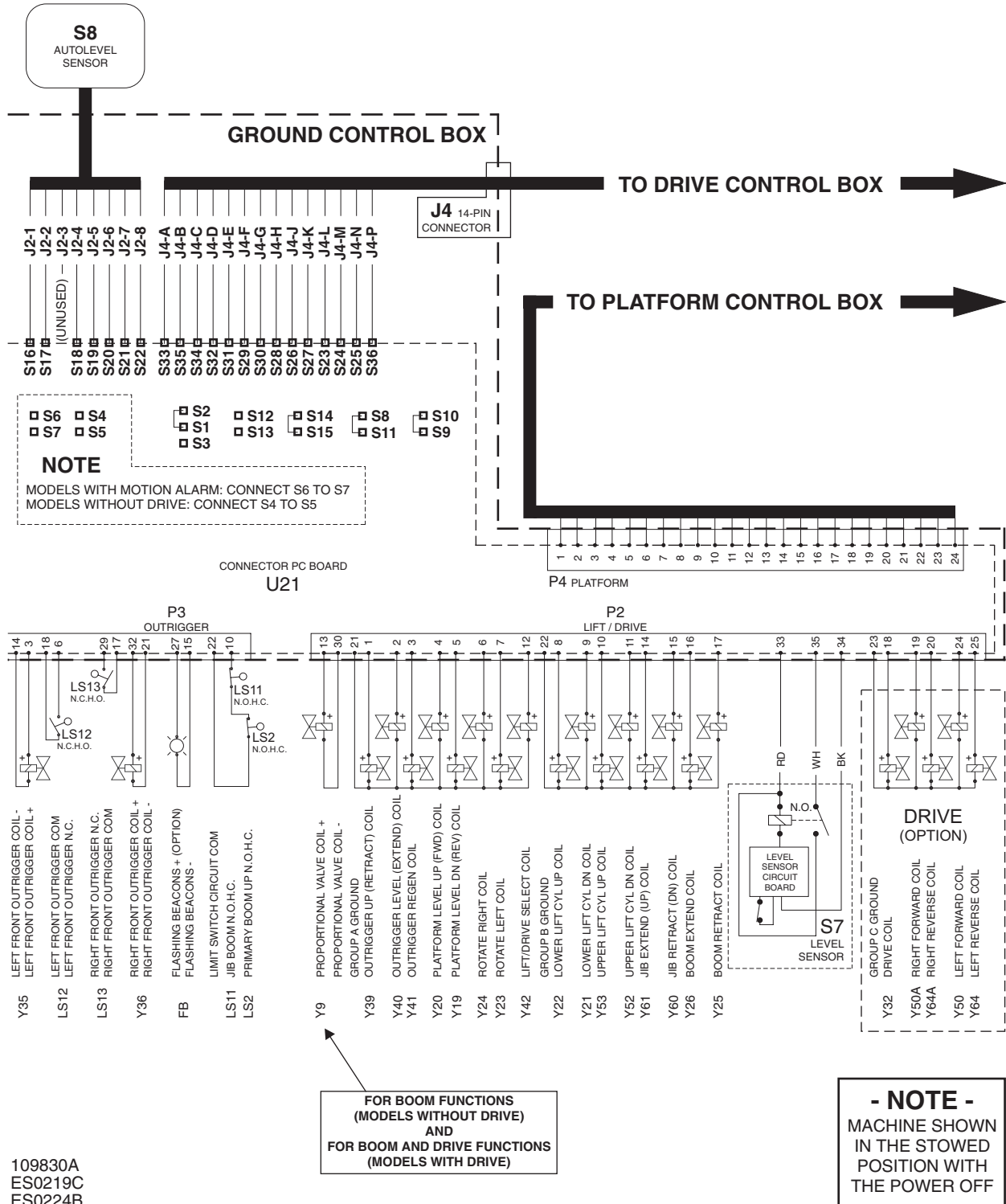
Electrical Schematic

Diesel Bi-Fuel Models

(from serial number T5000-91 to T5002-24)

Part 2 of 2

REV A



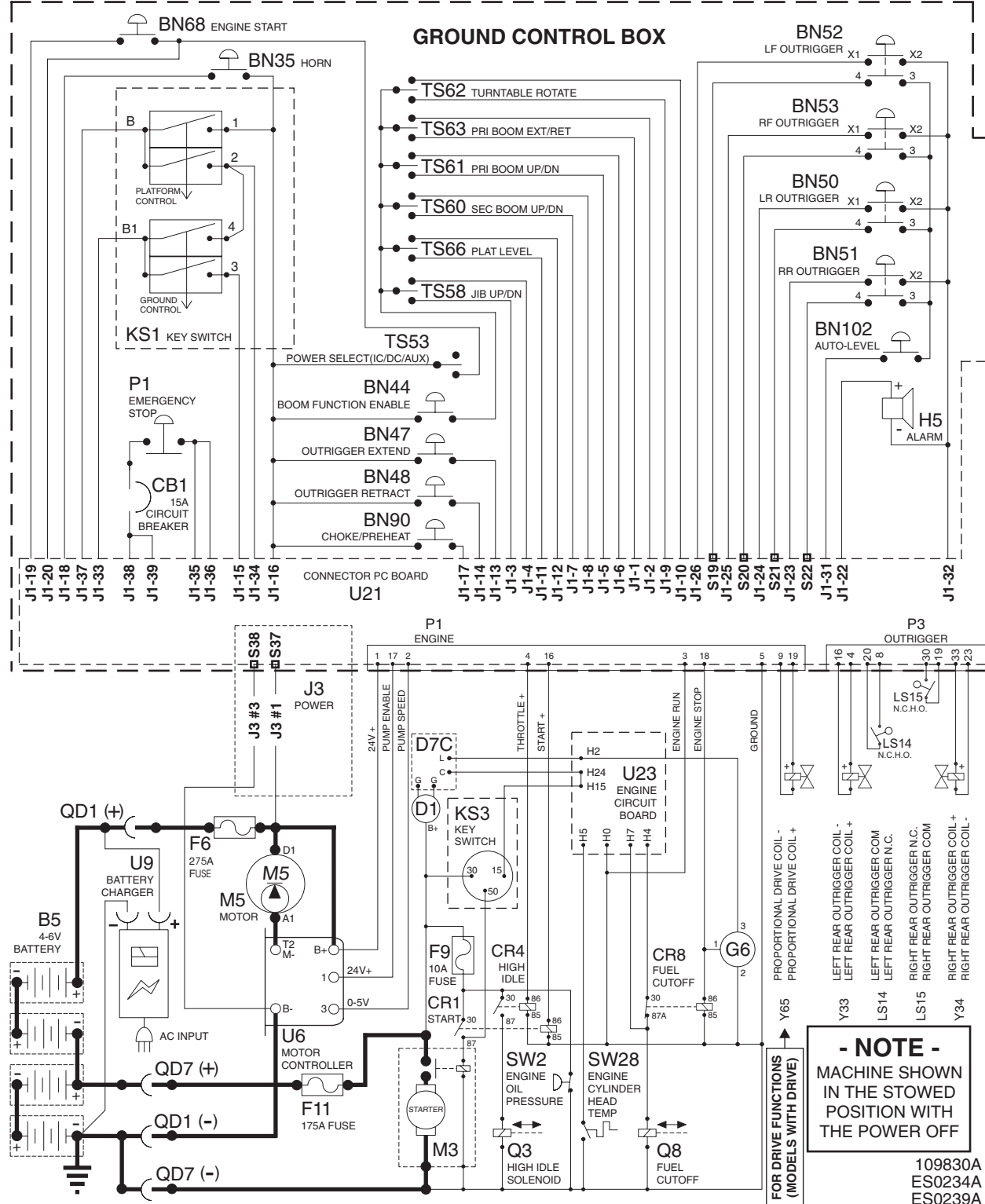
Electrical Schematic

Diesel Bi-Fuel Models

REV A

(from serial number T5002-25 to TMZ5003-228)

Part 1 of 2



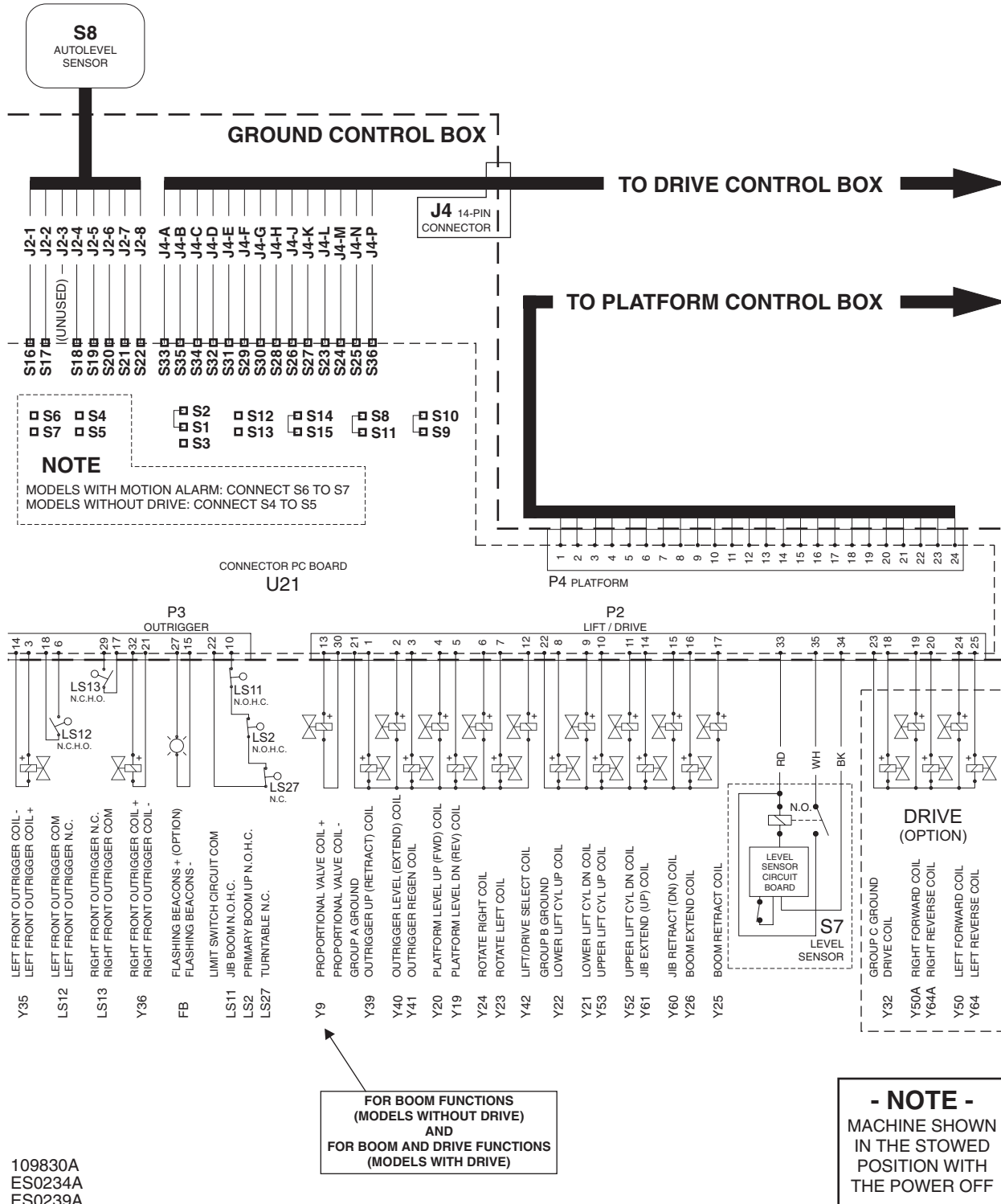
Electrical Schematic

Diesel Bi-Fuel Models

(from serial number T5002-25 to TMZ5003-228)

Part 2 of 2

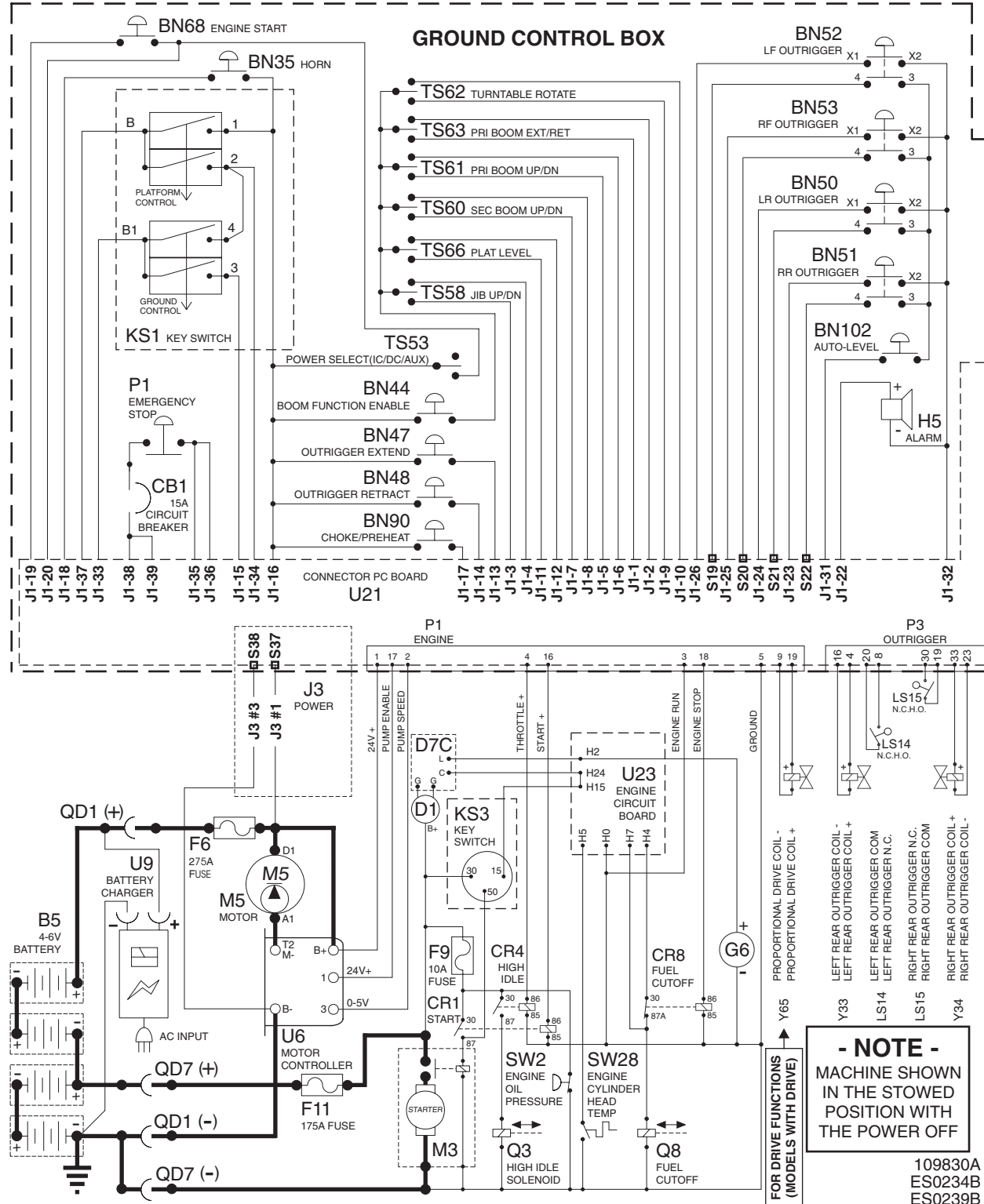
REV A



Electrical Schematic

Diesel Bi-Fuel Models
(after serial number TMZ5003-228)
Part 1 of 2

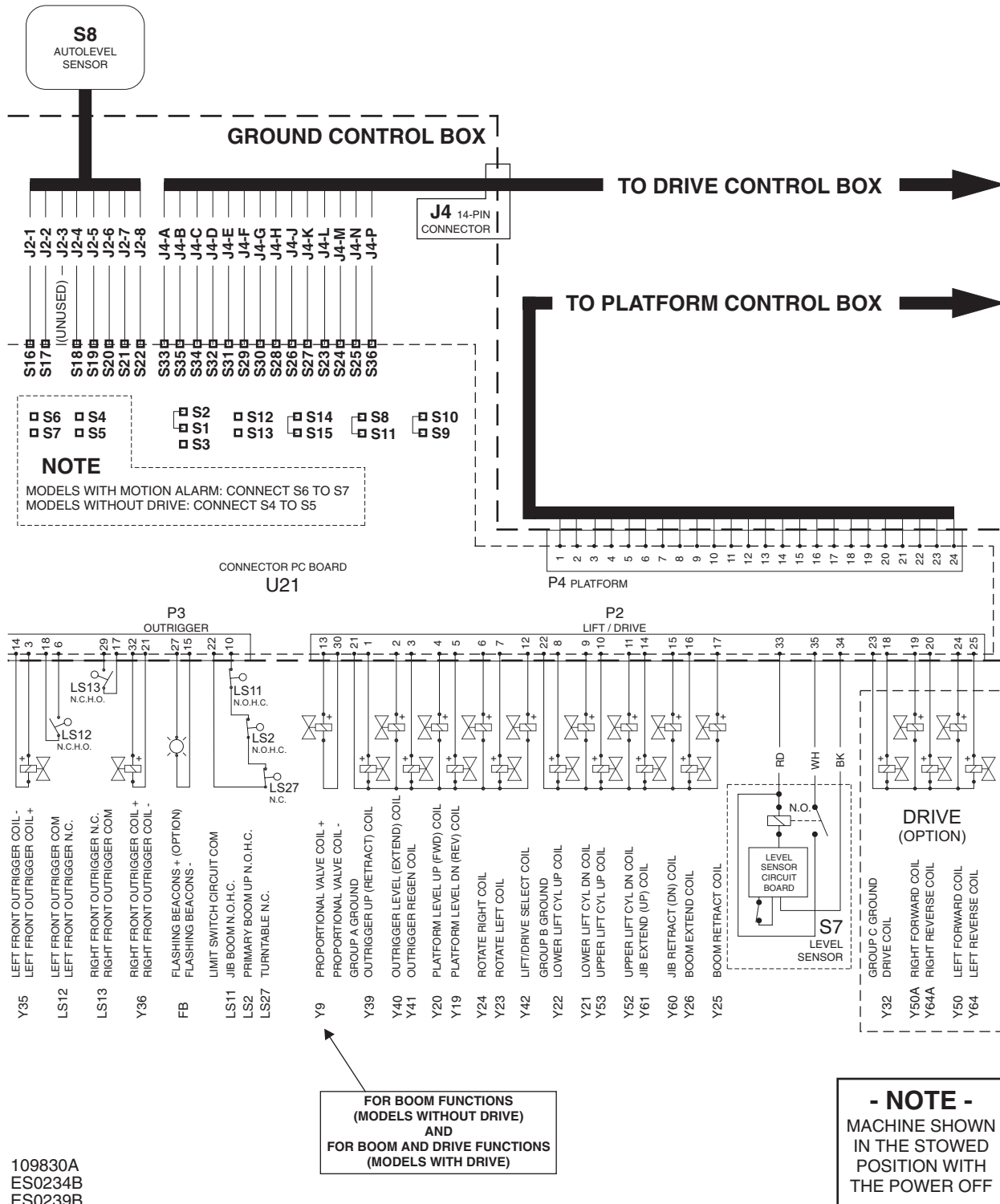
REV A



Electrical Schematic

Diesel Bi-Fuel Models
(after serial number TMZ5003-228)
Part 2 of 2

REV A



This page intentionally left blank.

California Proposition 65

WARNING

The exhaust from this product contains chemicals known to the State of California to cause cancer, birth defects or other reproductive harm.

Genie Scandinavia
Phone +46 31 575100
Fax +46 31 579020

Genie France
Phone +33 (0)2 37 26 09 99
Fax +33 (0)2 37 26 09 98

Genie Iberica
Phone +34 93 579 5042
Fax +34 93 579 5059

Genie Germany
Phone 0800 180 9017
Phone +49 422 149 1818
Fax +49 422 149 1820

Genie U.K.
Phone +44 (0)1476 584333
Fax +44 (0)1476 584334

Genie Mexico City
Phone +52 55 5666 5242
Fax +52 55 5666 3241

Genie North America
Phone 425.881.1800
Toll Free USA and Canada
800.536.1800
Fax 425.883.3475

Genie Australia Pty Ltd.
Phone +61 7 3375 1660
Fax +61 7 3375 1002

Genie China
Phone +86 21 53852570
Fax +86 21 53852569

Genie Malaysia
Phone +65 98 480 775
Fax +65 67 533 544

Genie Japan
Phone +81 3 3453 6082
Fax +81 3 3453 6083

Genie Korea
Phone +82 25 587 267
Fax +82 25 583 910

Genie Brasil
Phone +55 11 41 665 755
Fax +55 11 41 665 754

Genie Holland
Phone +31 183 581 102
Fax +31 183 581 566

Distributed By:

Parts and Service Manual Supplement TMZ-50/30

**Part No.
115052**

Rev A