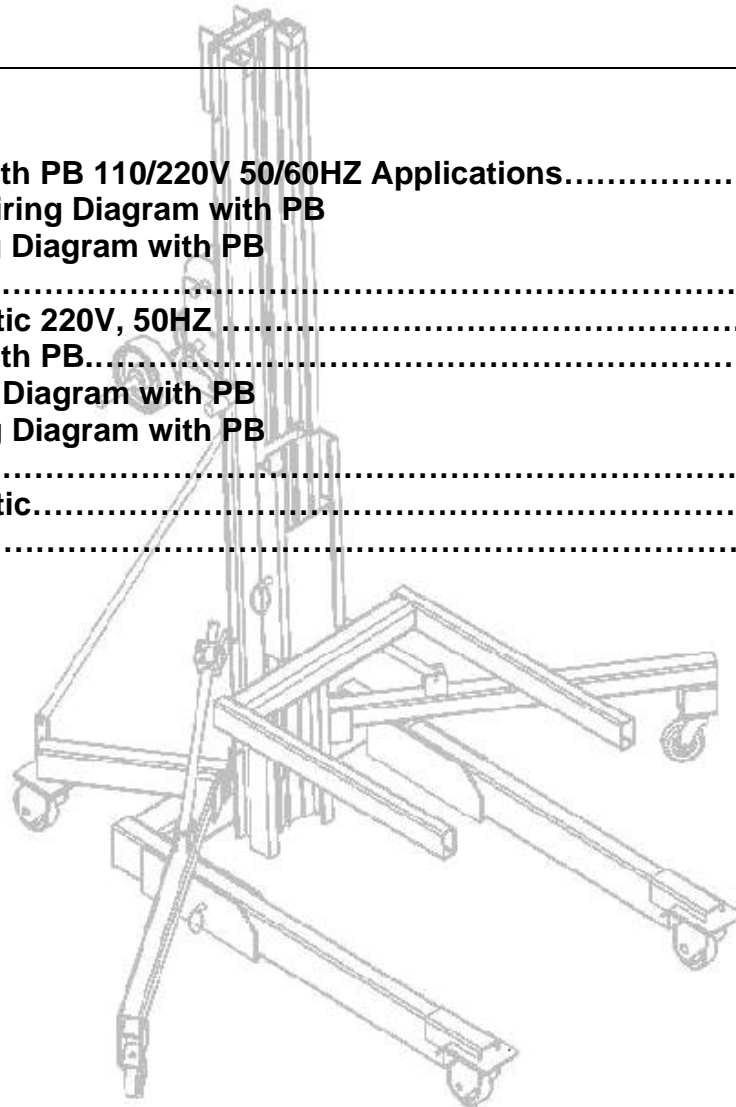


# A5 IWP

---

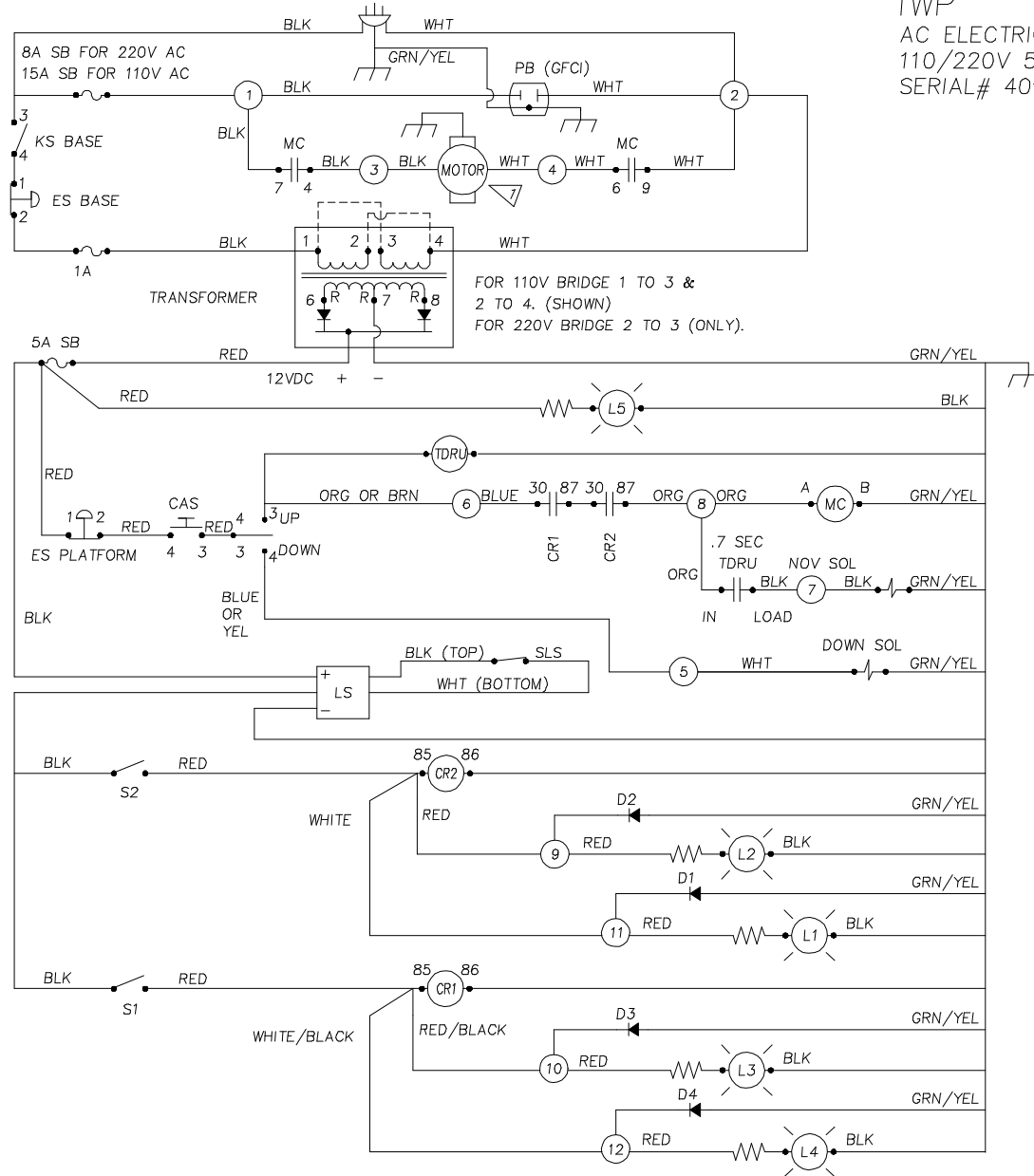
Page:	Model:	Serial Number:
A5-01	AC Electrical Schematic with PB 110/220V 50/60HZ Applications.....	4093-1007 To 4094-2221
A5-02	AC Ground Control Box Wiring Diagram with PB	" " " "
A5-03	AC Platform & Base Wiring Diagram with PB	" " " "
A5-04	AC Electrical Schematic.....	4094-2222 To 4095-3167
A5-05	TUV AC Electrical Schematic 220V, 50HZ .....	4094-2248 To 4095-3100
A5-06	DC Electrical Schematic with PB.....	4093-1003 To 4094-2217
A5-07	DC Ground Control Wiring Diagram with PB	" " " "
A5-08	DC Platform & Base Wiring Diagram with PB	" " " "
A5-09	DC Electrical Schematic.....	4094-2224 To 4095-3152
A5-10	TUV DC Electrical Schematic.....	4093-1100 To 4094-2100
A5-11	Hydraulic Schematic.....	4093-1003 To 4095-3167



LEGEND:

- CAS CONTROL ACTIVATE SWITCH
- CR CONTROL RELAY
- D DIODE
- ES EMERGENCY STOP SWITCH
- KS KEY SWITCH
- L LIGHT (LED)
- MC MOTOR CONTACTER
- NOV NORMALLY OPEN VALVE
- PB POWER TO BASKET (GROUND FAULT CIRCUIT INTERRUPT)
- S1,S2 SWITCH - FOOT PAD
- SB SLOW BLOW FUSE
- SLS SWITCH - LEVEL SENSOR
- SOL SOLENOID
- LS LEVEL SENSOR MODULE
- TDRU TIME DELAY (ON) RELAY - .7 SECOND
- (N) INDICATES CONTROL BOX CONNECTION

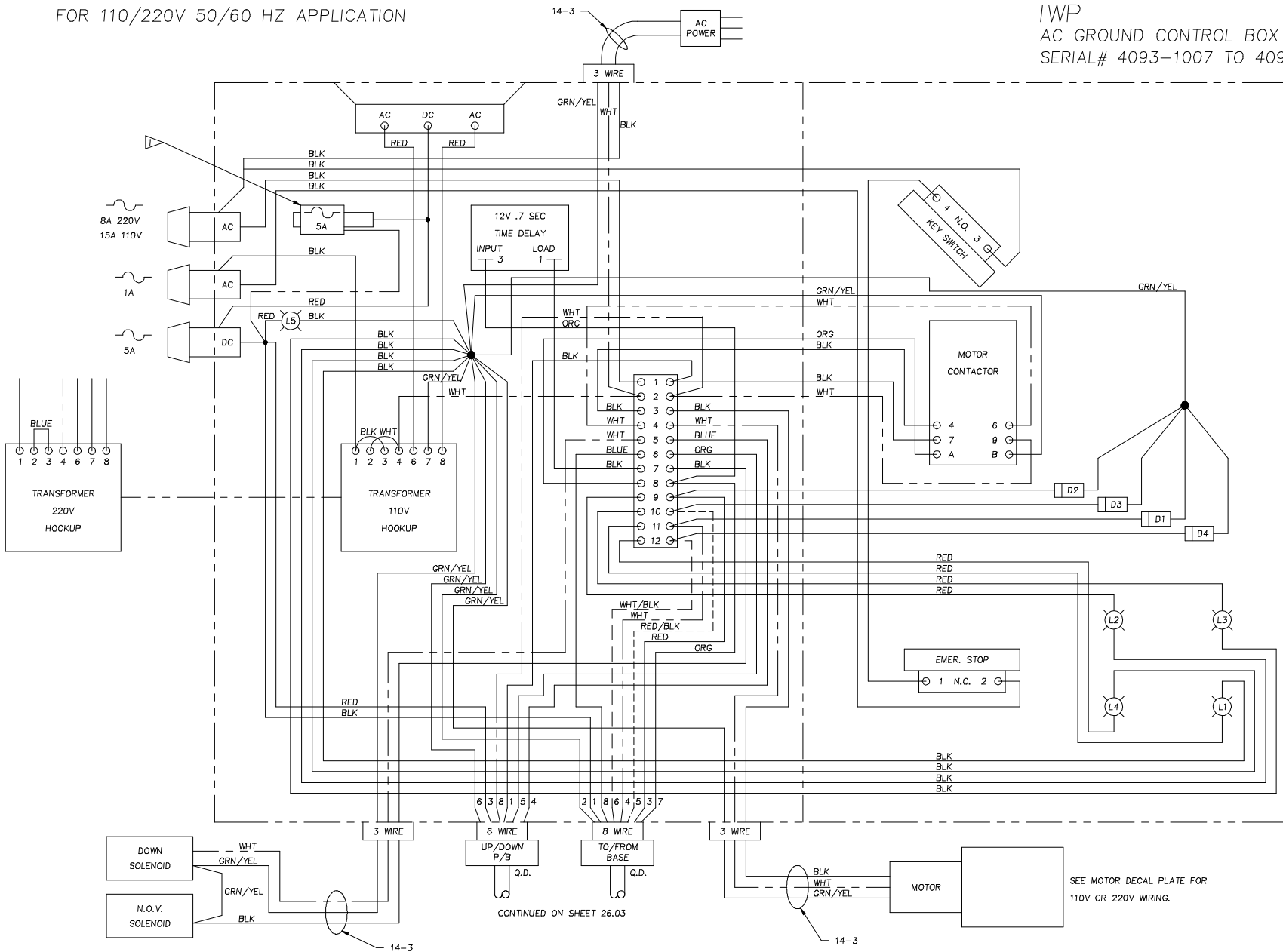
IWP  
 AC ELECTRICAL SCHEM W/ P.B.  
 110/220V 50/60HZ APPLICATIONS  
 SERIAL# 4093-1007 TO 4094-2221



SEE MOTOR DECAL PLATE  
 FOR 110V OR 220V WIRING

FOR 110/220V 50/60 HZ APPLICATION

IWP  
AC GROUND CONTROL BOX WIRING DIAGRAM WITH P.B.  
SERIAL# 4093-1007 TO 4094-2221



NOTES:  
1 FOR CSA UNITS:  
DISCONNECT LEADS  
FROM TERMINALS ON  
5 AMP DC FUSE HOLDER  
AND RECONNECT TO  
IN-LINE FUSE HOLDER  
AND FUSE.

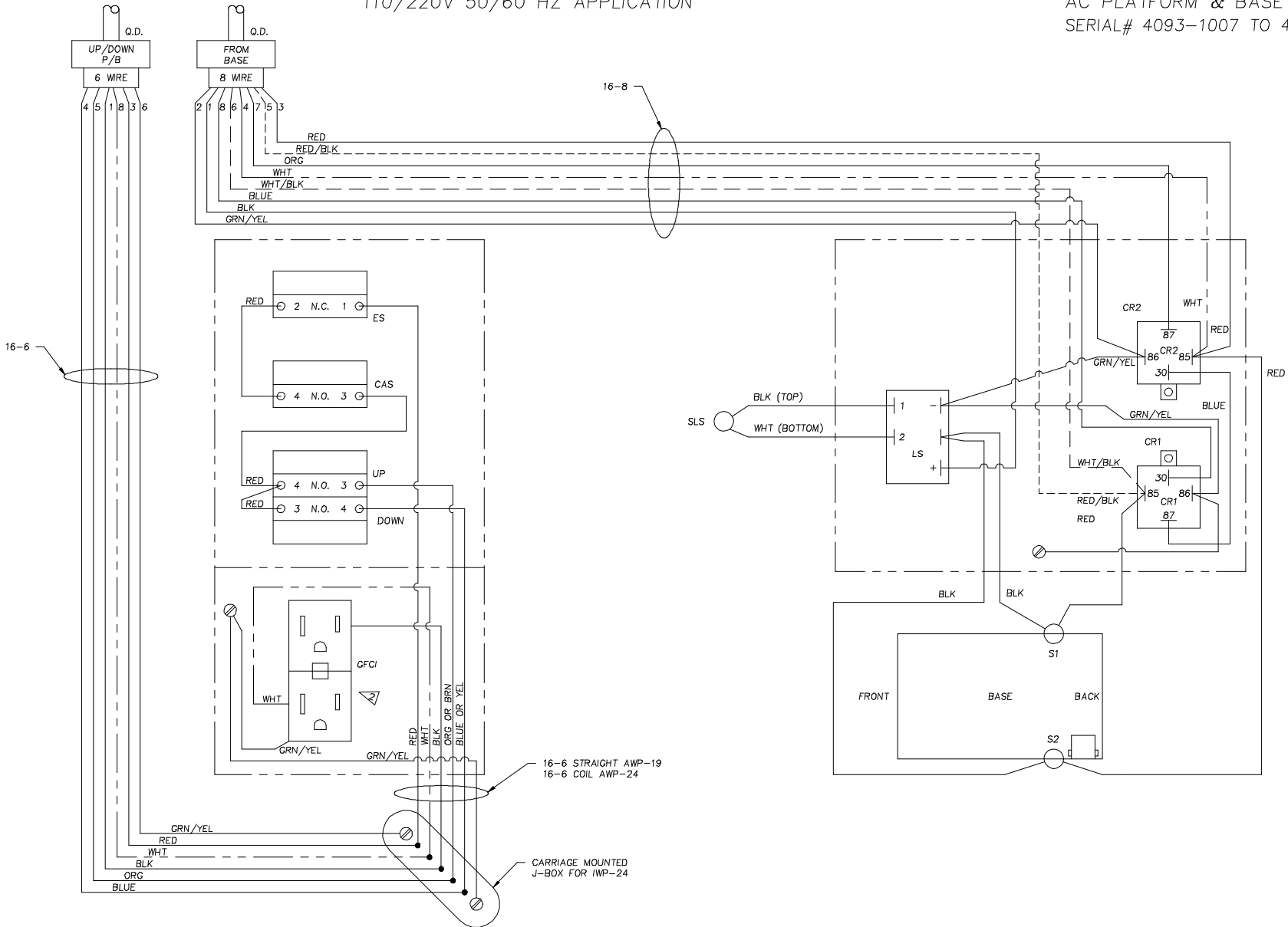
CONTINUED ON SHEET 26.03

SEE MOTOR DECAL PLATE FOR  
110V OR 220V WIRING.

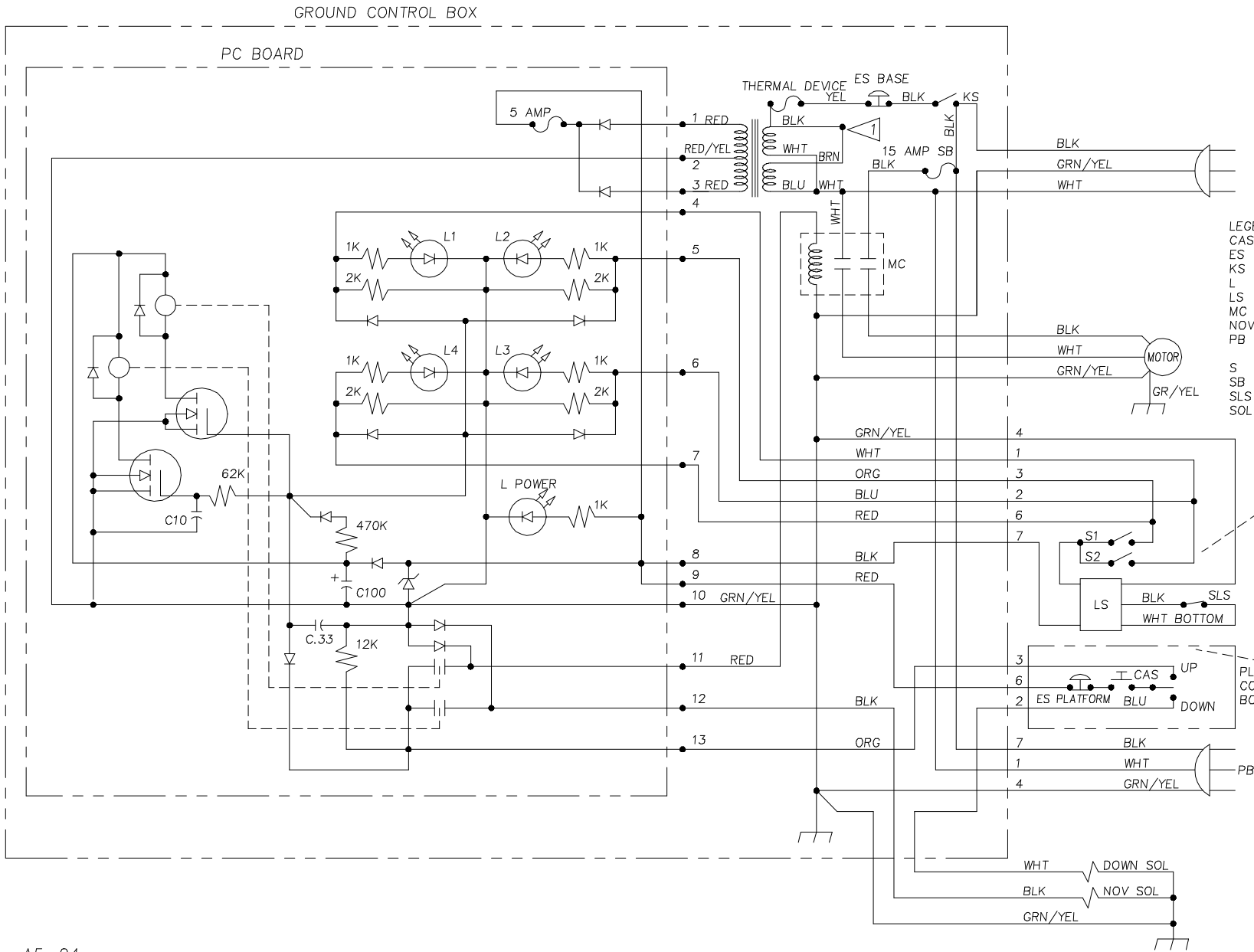
CONTINUED ON SHEET 26.02

110/220V 50/60 HZ APPLICATION

IWP  
AC PLATFORM & BASE WIRING DIAGRAM WITH P.B.  
SERIAL# 4093-1007 TO 4094-2221

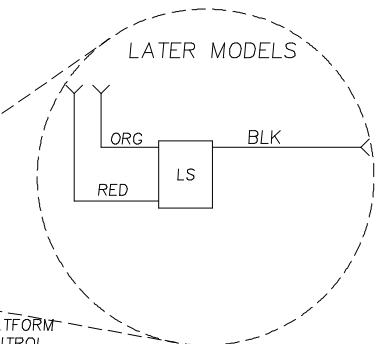


IWP  
 AC ELECTRICAL SCHEM  
 SERIAL# 4094-2222 TO 4095-3167

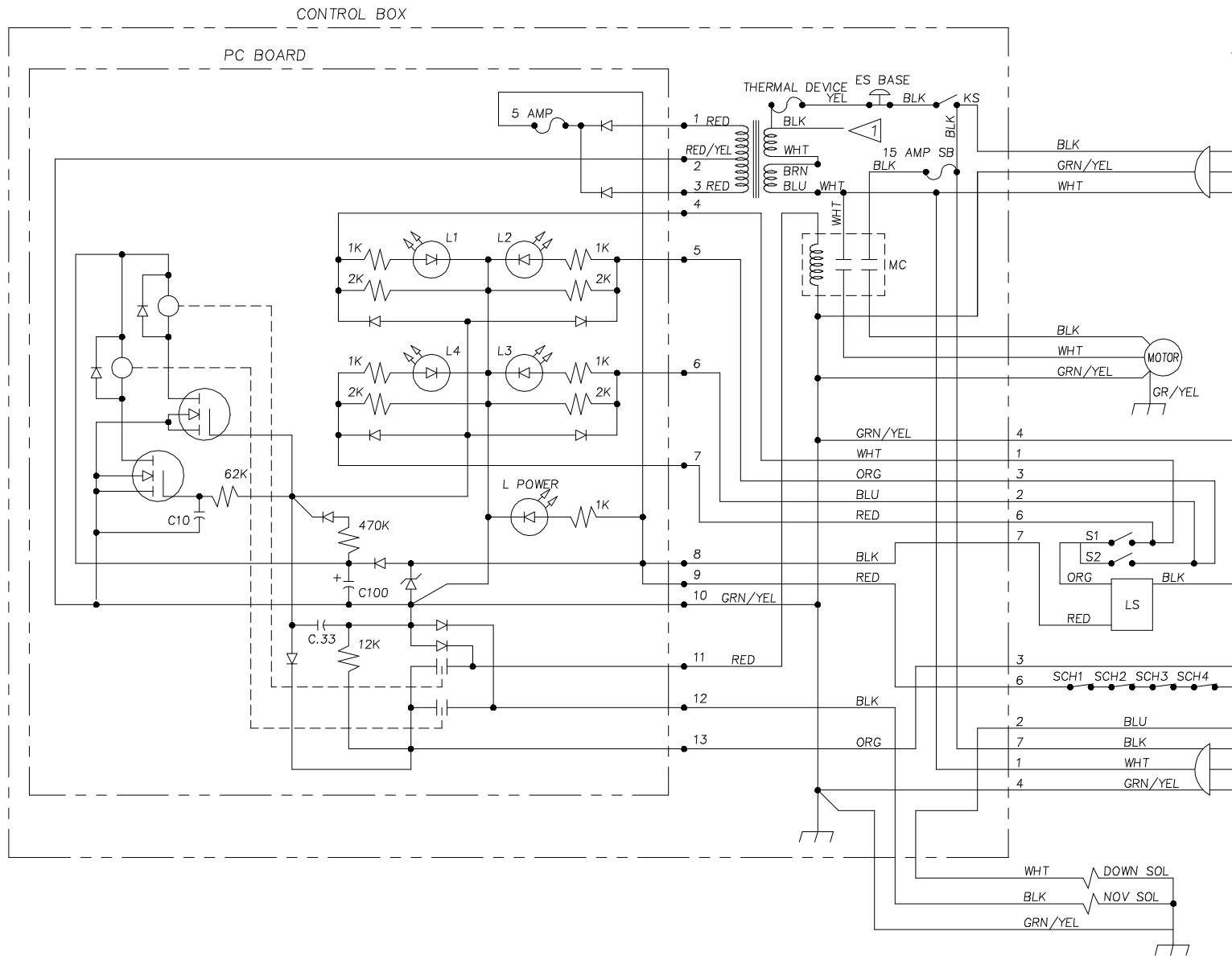


NOTES:  
 1. FOR 120V OPERATION  
 JUMPER BROWN TO BLACK  
 AND BLUE TO WHITE  
 AS SHOWN.  
 -FOR 240V OPERATION  
 JUMPER BROWN TO WHITE  
 AND BLACK UNCONNECTED.

LEGEND:  
 CAS CONTROL ACTIVATE SWITCH  
 ES EMERGENCY STOP SWITCH  
 KS KEY SWITCH  
 L LIGHT (LED)  
 LS LEVEL SENSOR MODULE  
 MC MOTOR CONTACTOR  
 NOV NORMALLY OPEN VALVE  
 PB POWER TO BASKET  
 (GROUND FAULT CIRCUIT INTERRUPT)  
 SWITCH - OUTRIGGER  
 S SWITCH - OUTRIGGER  
 SB SLOW BLOW FUSE  
 SLS SENSOR LEVEL SWITCH  
 SOL SOLENOID



IWP - TUV  
 AC ELECTRICAL SCHEM  
 FOR 220V, 50HZ APPLICATIONS  
 SERIAL# 4094-2248 TO 4095-3100

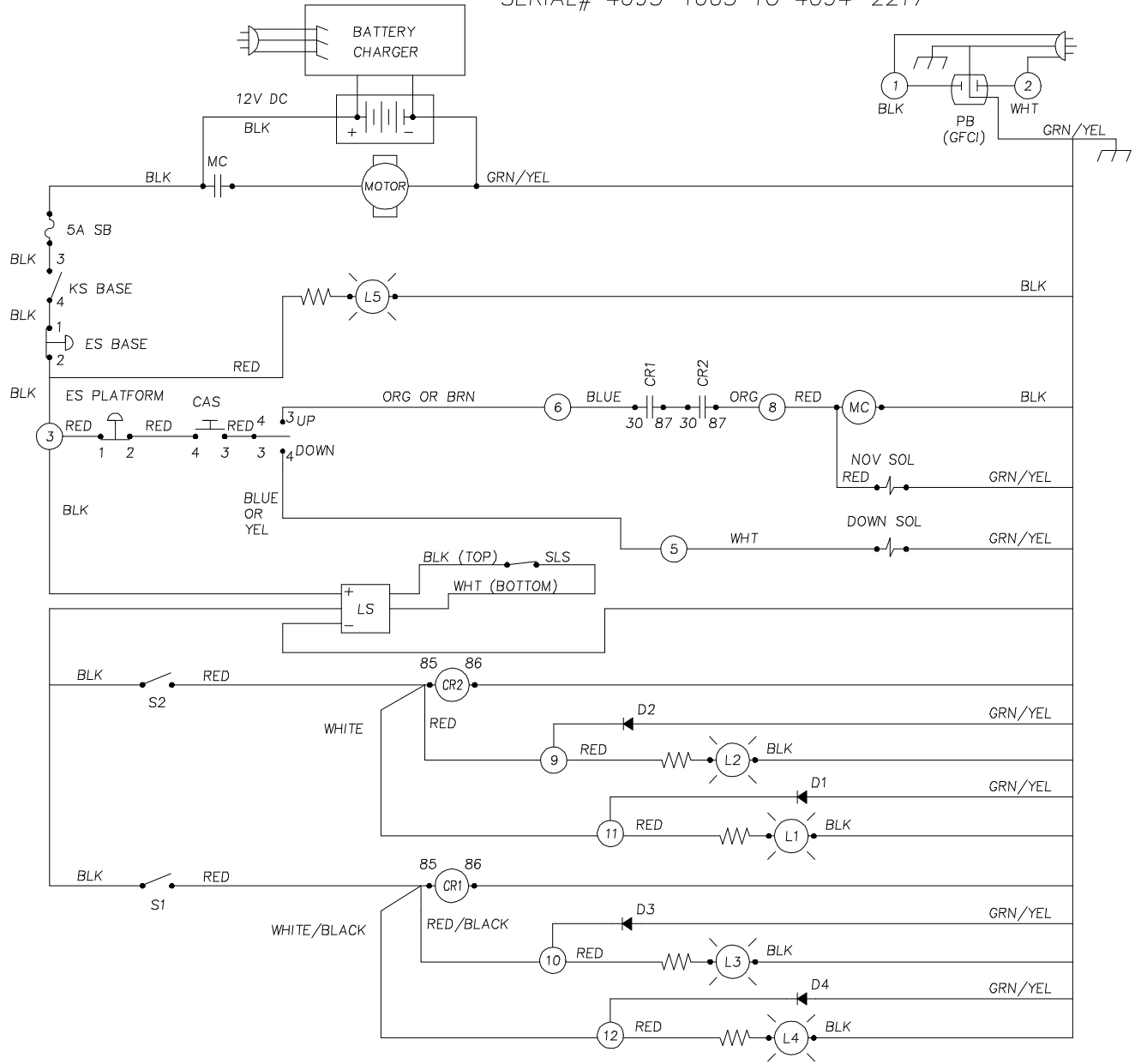


NOTES:  
 1 - FOR 120V OPERATION  
 JUMPER BROWN TO BLACK  
 AND BLUE TO WHITE  
 AS SHOWN.  
 - FOR 240V OPERATION  
 JUMPER BROWN TO WHITE  
 AND BLACK UNCONNECTED.

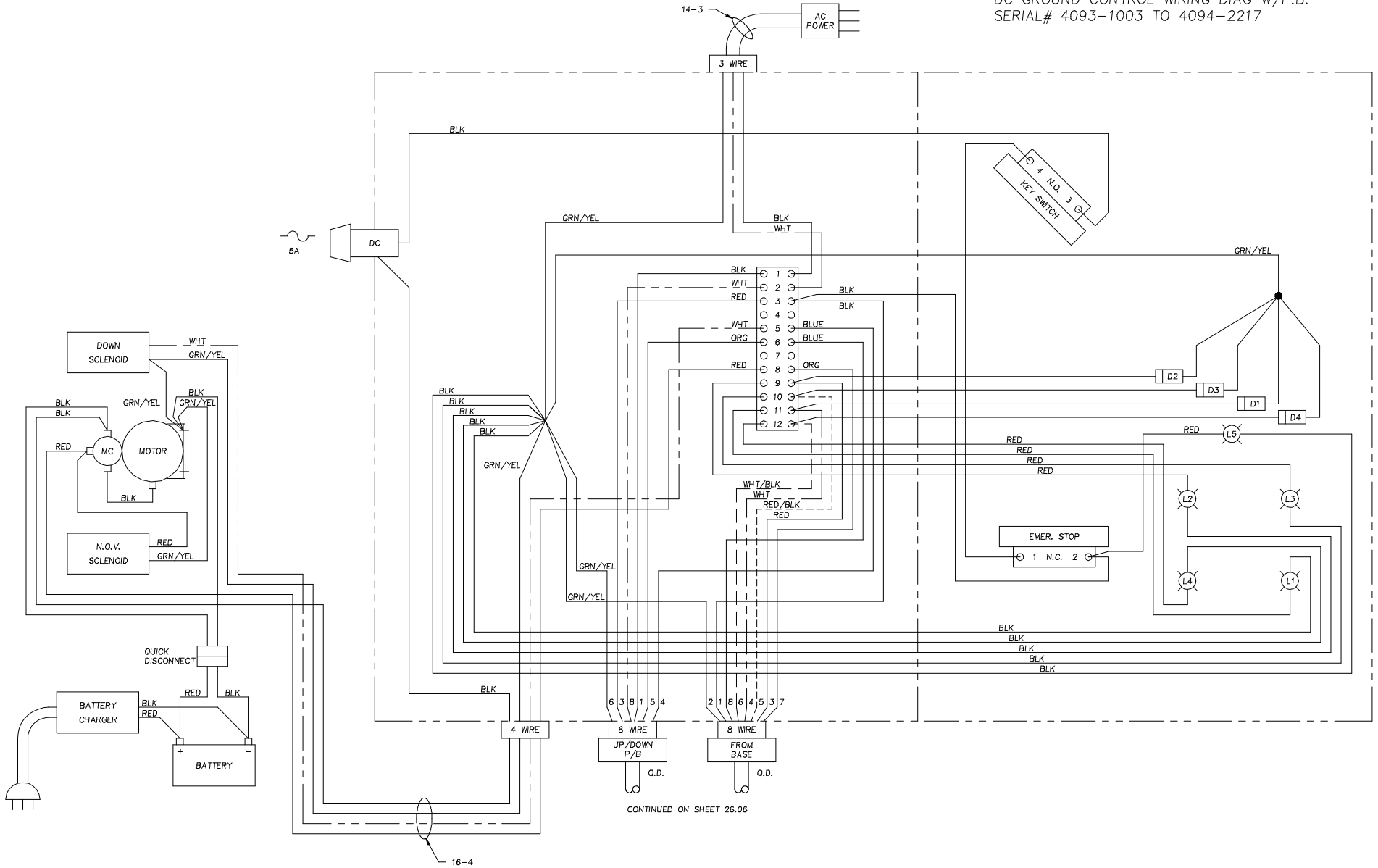
- LEGEND:
- CAS CONTROL ACTIVATE SWITCH
  - ES EMERGENCY STOP SWITCH
  - KS KEY SWITCH
  - L LIGHT (LED)
  - LS LEVEL SENSOR MODULE
  - MC MOTOR CONTACTOR
  - NOV NORMALLY OPEN VALVE
  - PB POWER TO BASKET  
(GROUND FAULT CIRCUIT INTERRUPT)
  - S SWITCH - OUTTRIGGER
  - SB SLOW BLOW FUSE
  - SLS SENSOR LEVEL SWITCH
  - SOL SOLENOID
  - SCH SWITCH-CHAIN

IWP  
 DC ELECTRICAL SCHEM W/ P.B.  
 SERIAL# 4093-1003 TO 4094-2217

- LEGEND:
- CAS CONTROL ACTIVATE SWITCH
  - CR CONTROL RELAY
  - D DIODE
  - ES EMERGENCY SWITCH
  - KS KEY SWITCH
  - L LIGHT (LED)
  - MC MOTOR CONTACTER
  - NOV NORMALLY OPEN VALVE
  - PB POWER TO BASKET (GROUND FAULT CIRCUIT INTERRUPT)
  - S1,S2 SWITCH - FOOT PAD
  - SB SLOW BLOW FUSE
  - SLS SWITCH - LEVEL SENSOR
  - SOL SOLENOID
  - LS LEVEL SENSOR MODULE
  - (N) INDICATES CONTROL BOX CONNECTION



IWP  
 DC GROUND CONTROL WIRING DIAG W/P.B.  
 SERIAL# 4093-1003 TO 4094-2217

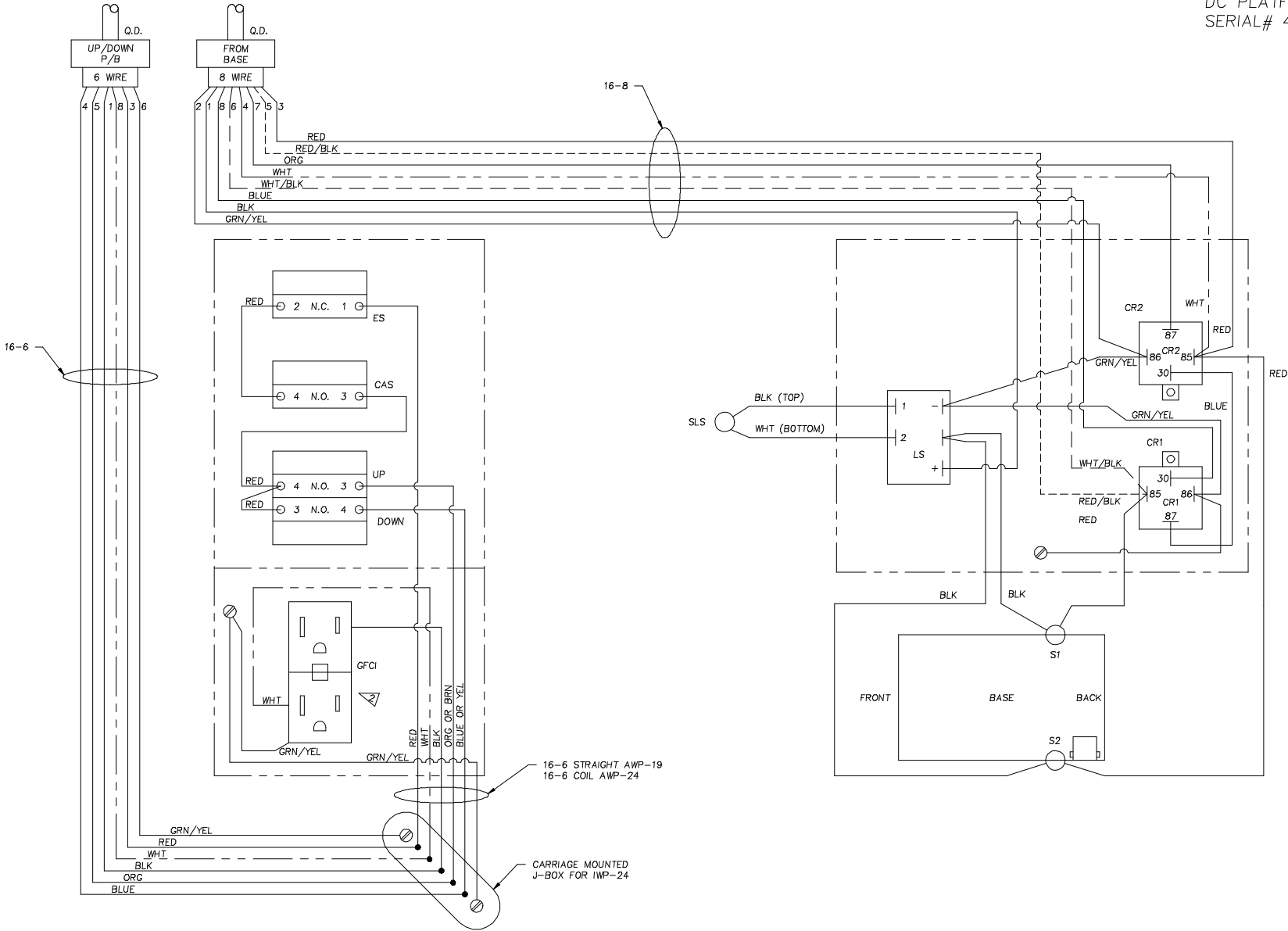


CONTINUED ON SHEET 26.06

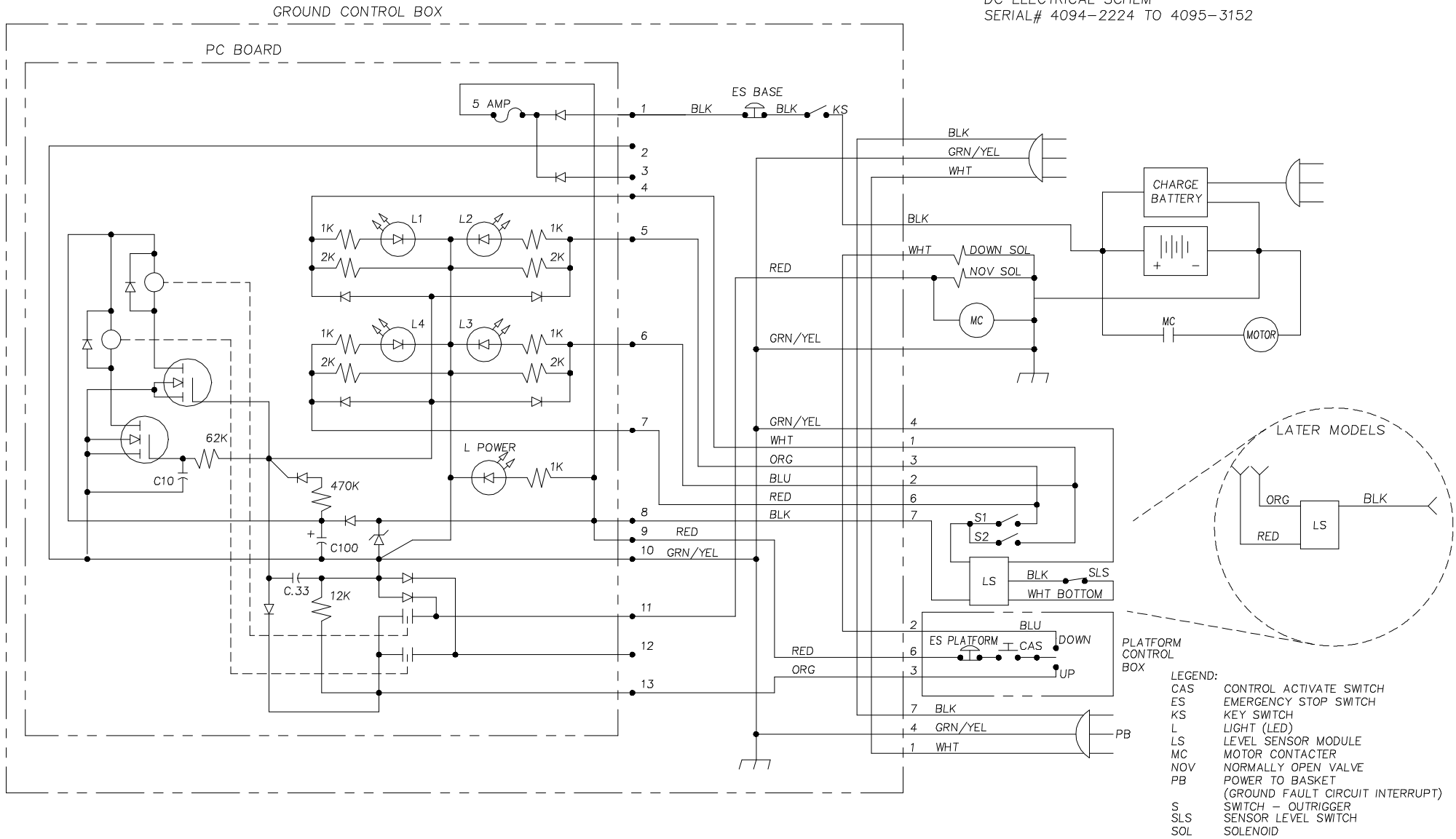


IWP  
 DC PLATFORM & BASE WIRING DIAG W/P.B.  
 SERIAL# 4093-1003 TO 4094-2217

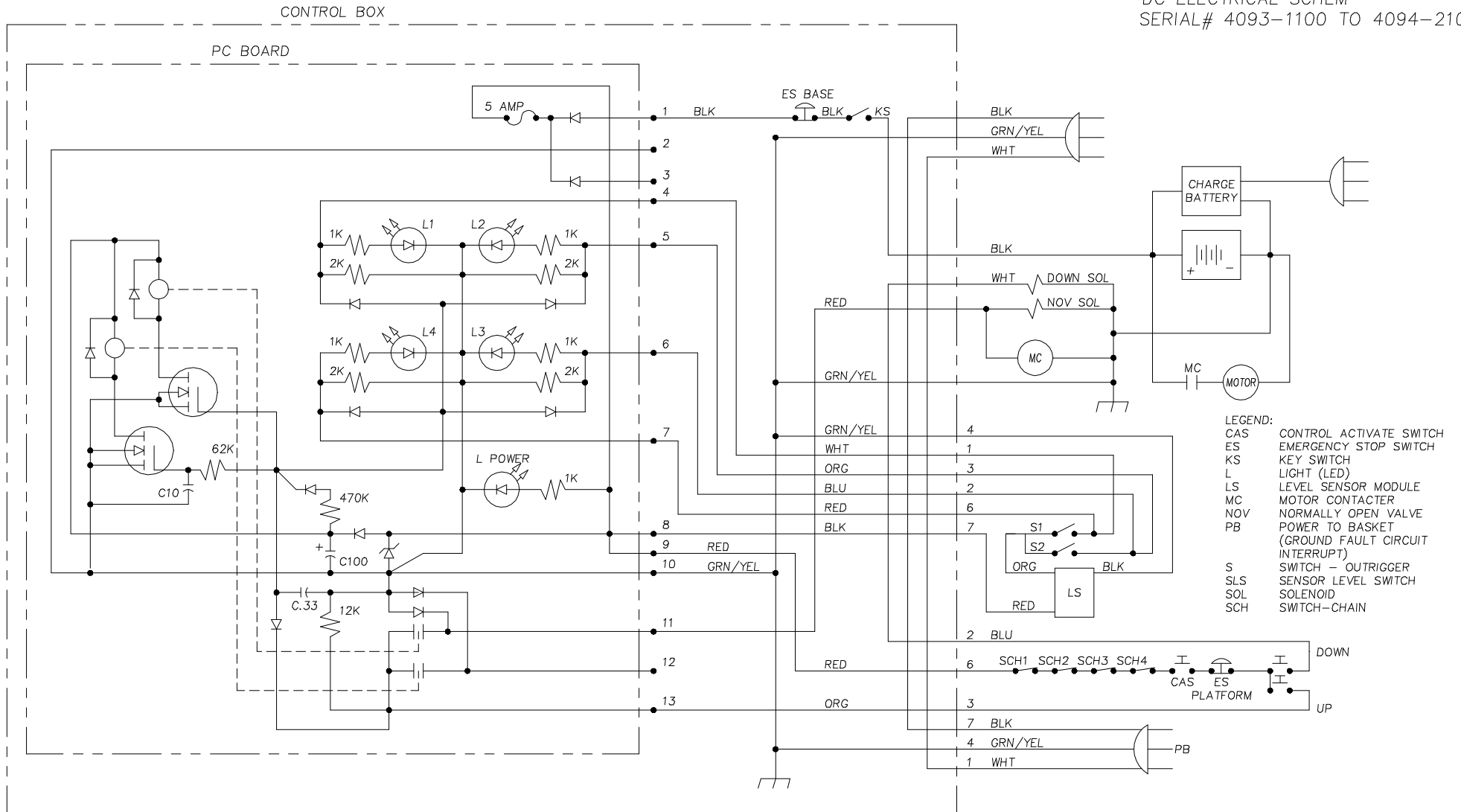
CONTINUED ON SHEET 26.05



IWP  
 DC ELECTRICAL SCHEM  
 SERIAL# 4094-2224 TO 4095-3152



IWP - TUV  
 DC ELECTRICAL SCHEM  
 SERIAL# 4093-1100 TO 4094-2100



- LEGEND:
- CAS CONTROL ACTIVATE SWITCH
  - ES EMERGENCY STOP SWITCH
  - KS KEY SWITCH
  - L LIGHT (LED)
  - LS LEVEL SENSOR MODULE
  - MC MOTOR CONTACTOR
  - NOV NORMALLY OPEN VALVE
  - PB POWER TO BASKET (GROUND FAULT CIRCUIT INTERRUPT)
  - S SWITCH - OUTRIGGER
  - SLS SENSOR LEVEL SWITCH
  - SOL SOLENOID
  - SCH SWITCH-CHAIN

IWP 19/24  
 HYDRAULIC SCHEM  
 SERIAL# 4093-1003 TO 4095-3167

