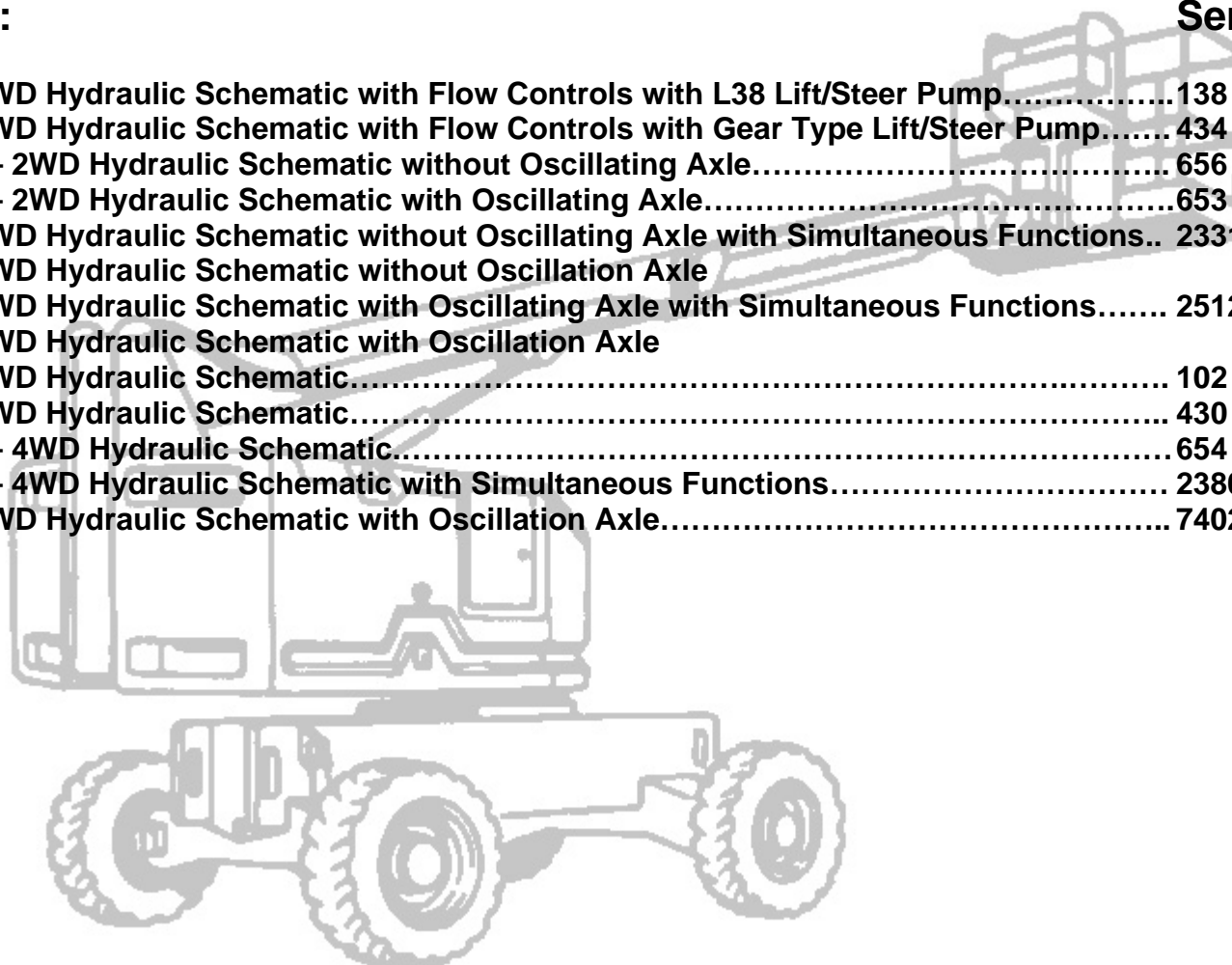


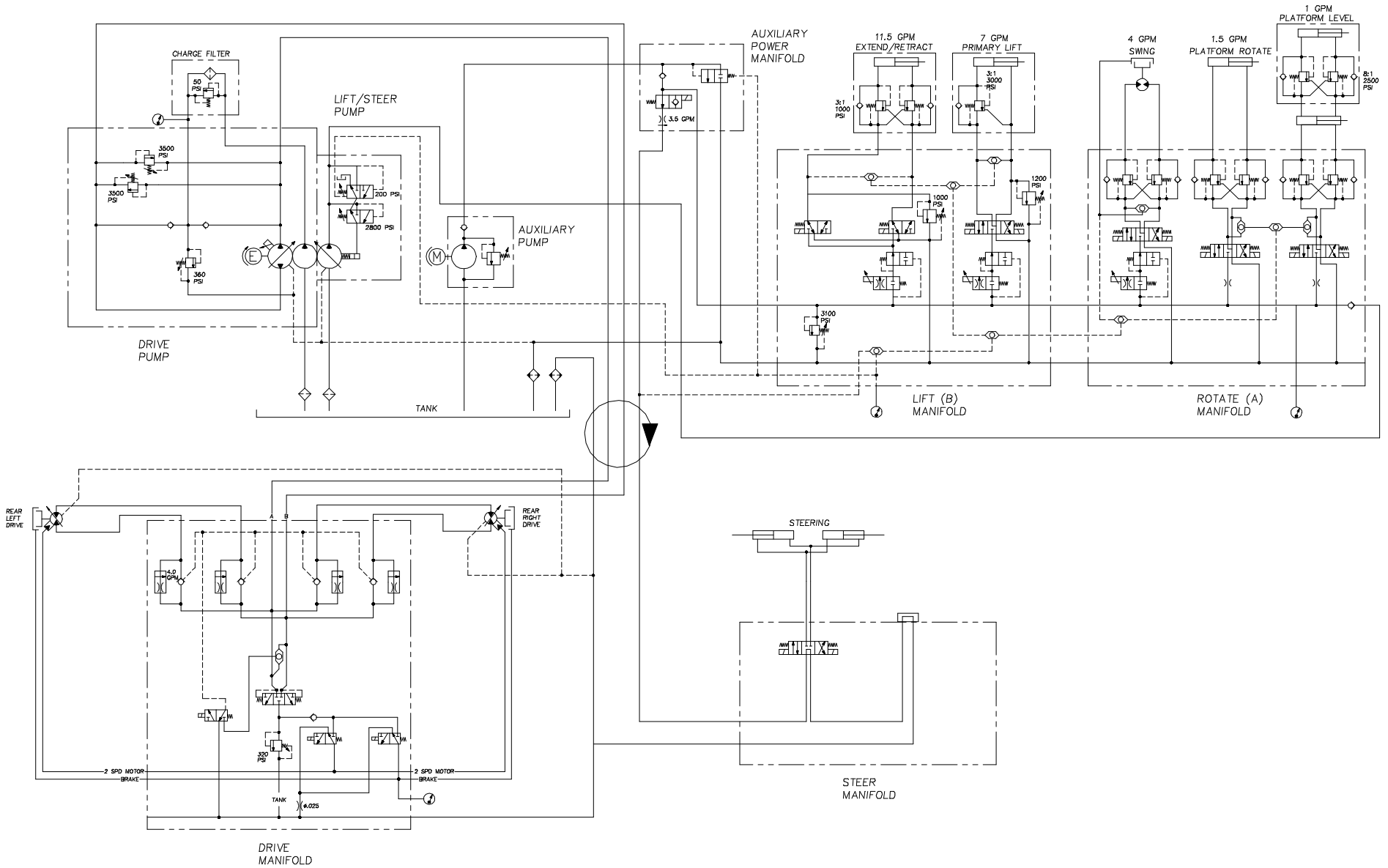
# S6 S60/65 Hydraulics

Page: Model: Serial Number:

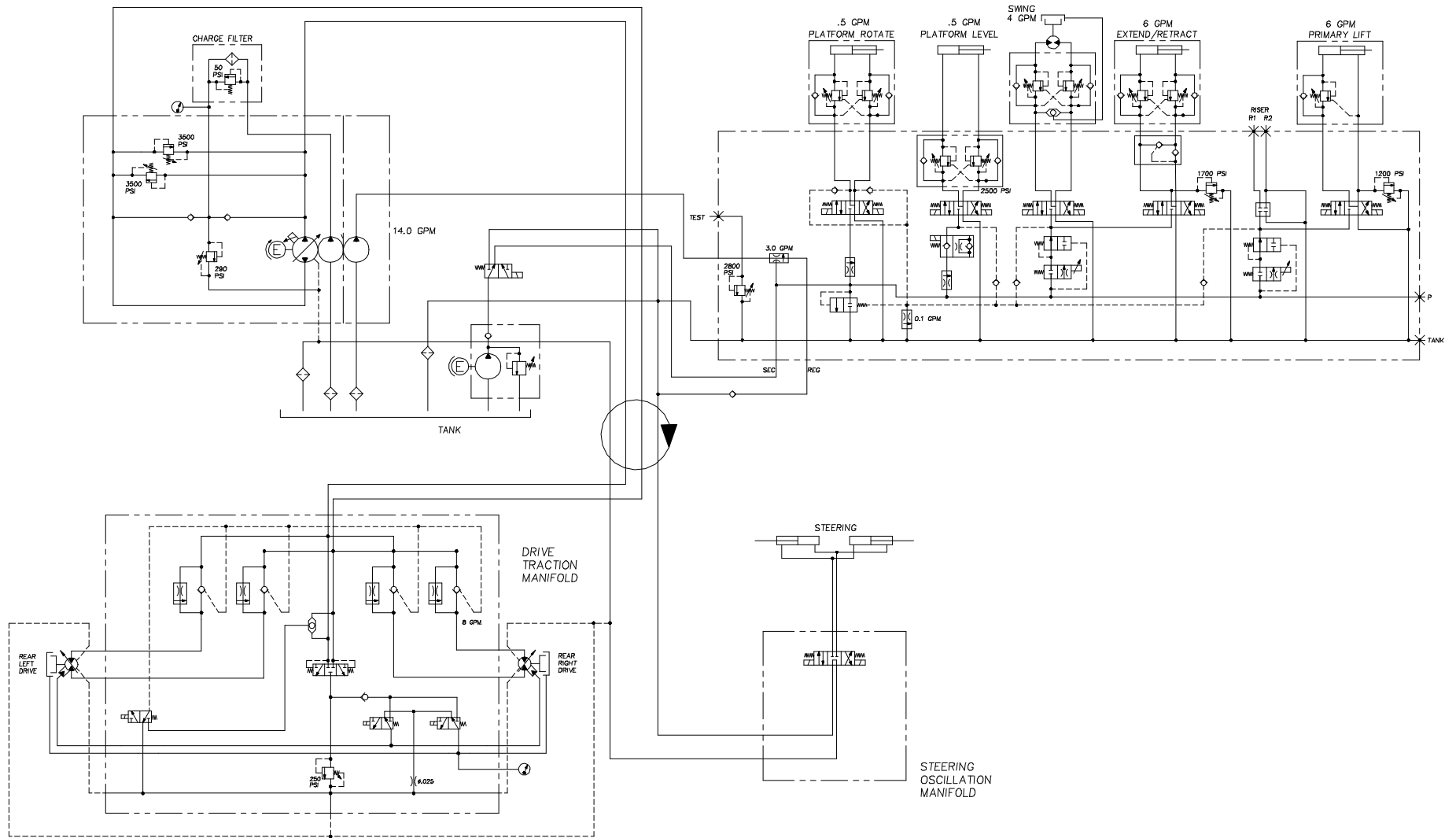
S6-01	S60 – 2WD Hydraulic Schematic with Flow Controls with L38 Lift/Steer Pump.....	138 to 425
S6-02	S60 – 2WD Hydraulic Schematic with Flow Controls with Gear Type Lift/Steer Pump.....	434 to 627
S6-03	S60/65 – 2WD Hydraulic Schematic without Oscillating Axle.....	656 to 2326
S6-04	S60/65 – 2WD Hydraulic Schematic with Oscillating Axle.....	653 to 2305
S6-05	S60 – 2WD Hydraulic Schematic without Oscillating Axle with Simultaneous Functions..	2331 & above
S6-06	S60 – 2WD Hydraulic Schematic without Oscillation Axle	
S6-07	S60 – 2WD Hydraulic Schematic with Oscillating Axle with Simultaneous Functions.....	2512 & above
S6-08	S60 – 2WD Hydraulic Schematic with Oscillation Axle	
S6-09	S60 – 4WD Hydraulic Schematic.....	102 to 429
S6-10	S60 – 4WD Hydraulic Schematic.....	430 to 652
S6-11	S60/65 – 4WD Hydraulic Schematic.....	654 to 2329
S6-12	S60/65 – 4WD Hydraulic Schematic with Simultaneous Functions.....	2380 & above
S6-13	S60 – 4WD Hydraulic Schematic with Oscillation Axle.....	7402 & above



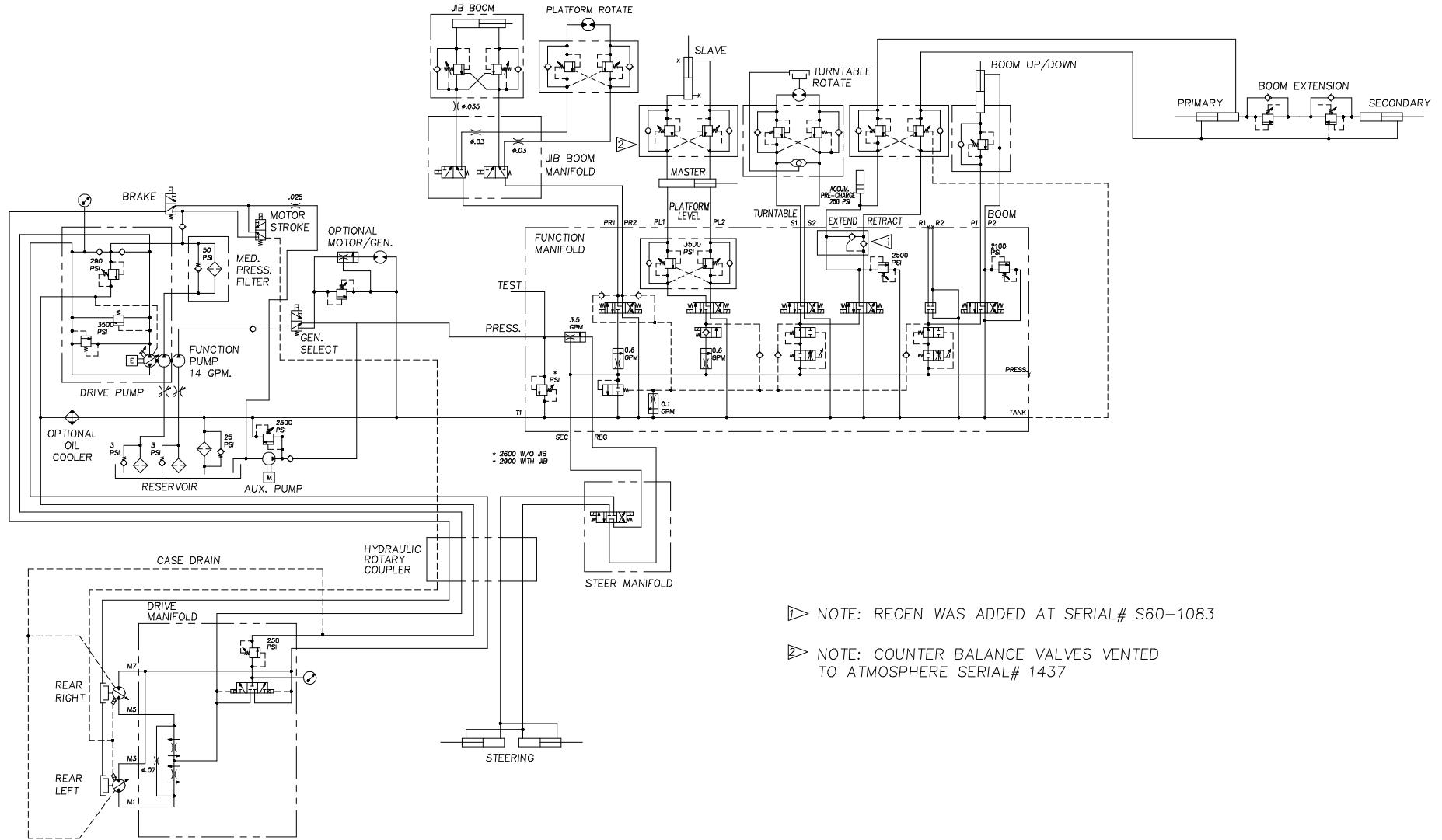
S60 2WD  
 HYDRAULIC SCHEMATIC  
 WITH FLOW CONTROLS  
 SERIAL# 138 TO 425



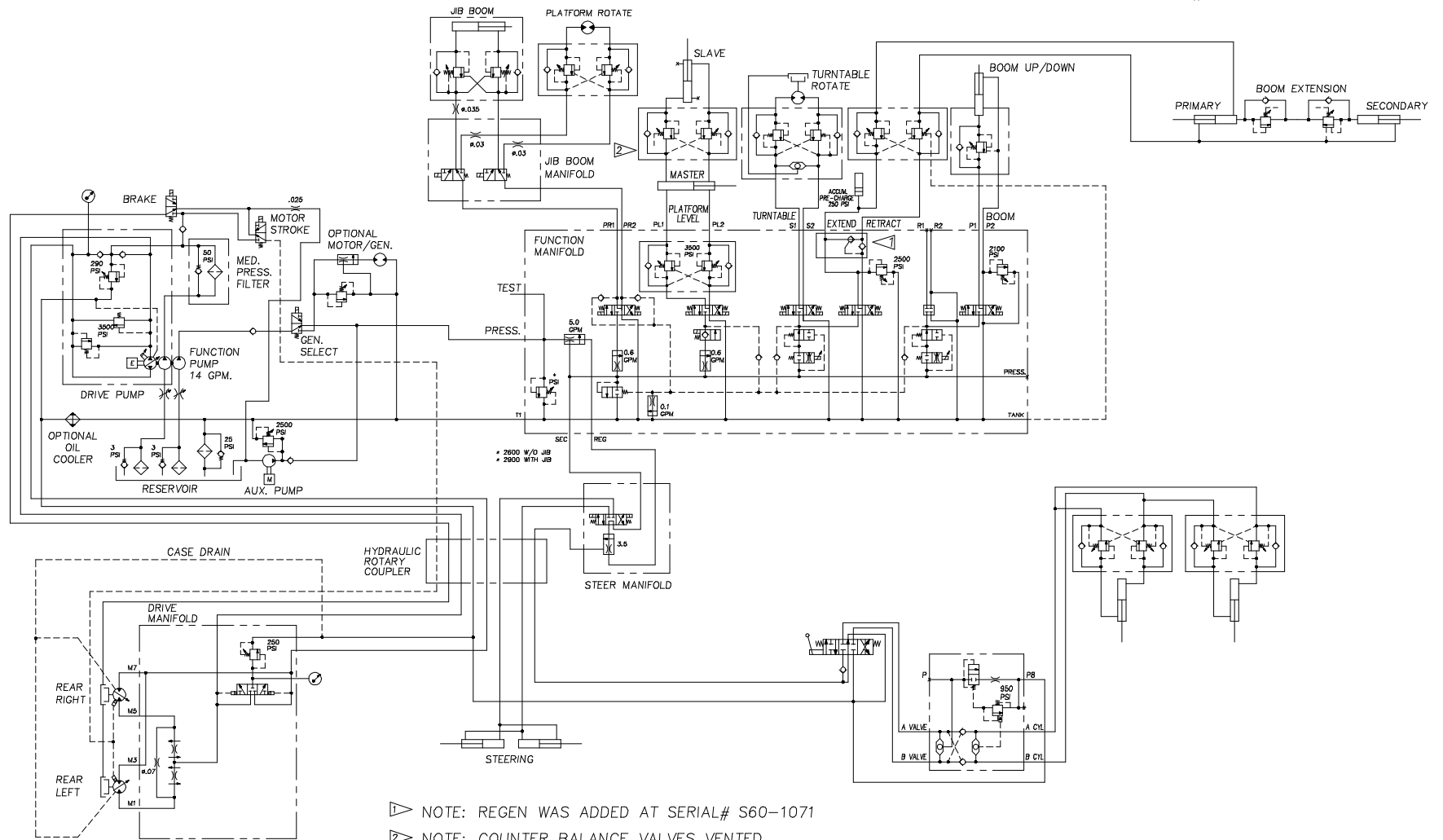
S60 2WD  
 HYDRAULIC SCHEMATIC  
 WITH FLOW CONTROLS  
 SERIAL # 434 TO 627



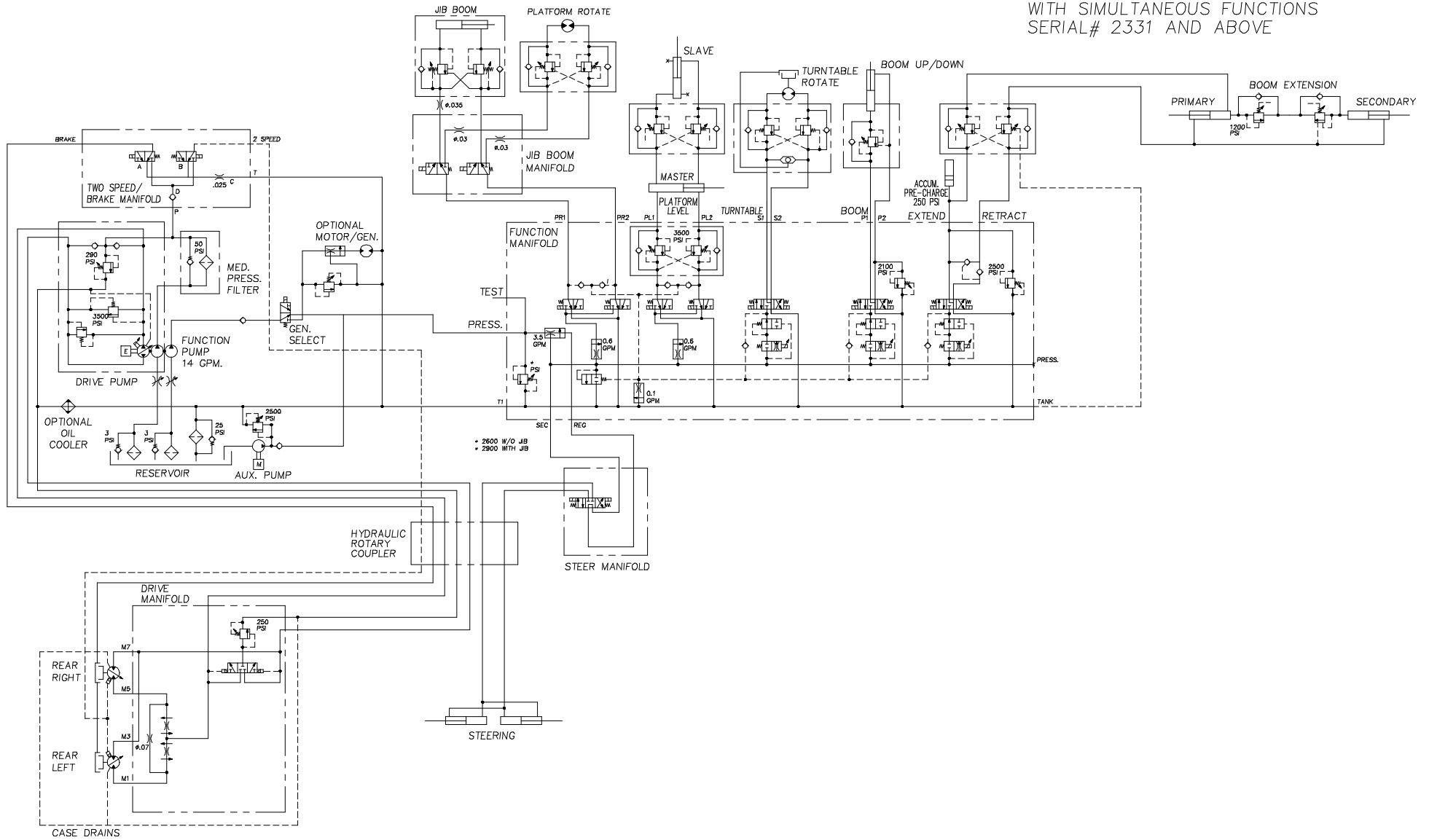
S60/65 2WD  
 HYDRAULIC SCHEMATIC  
 WITHOUT OSCILLATING AXLE  
 SERIAL# 656 TO 2326



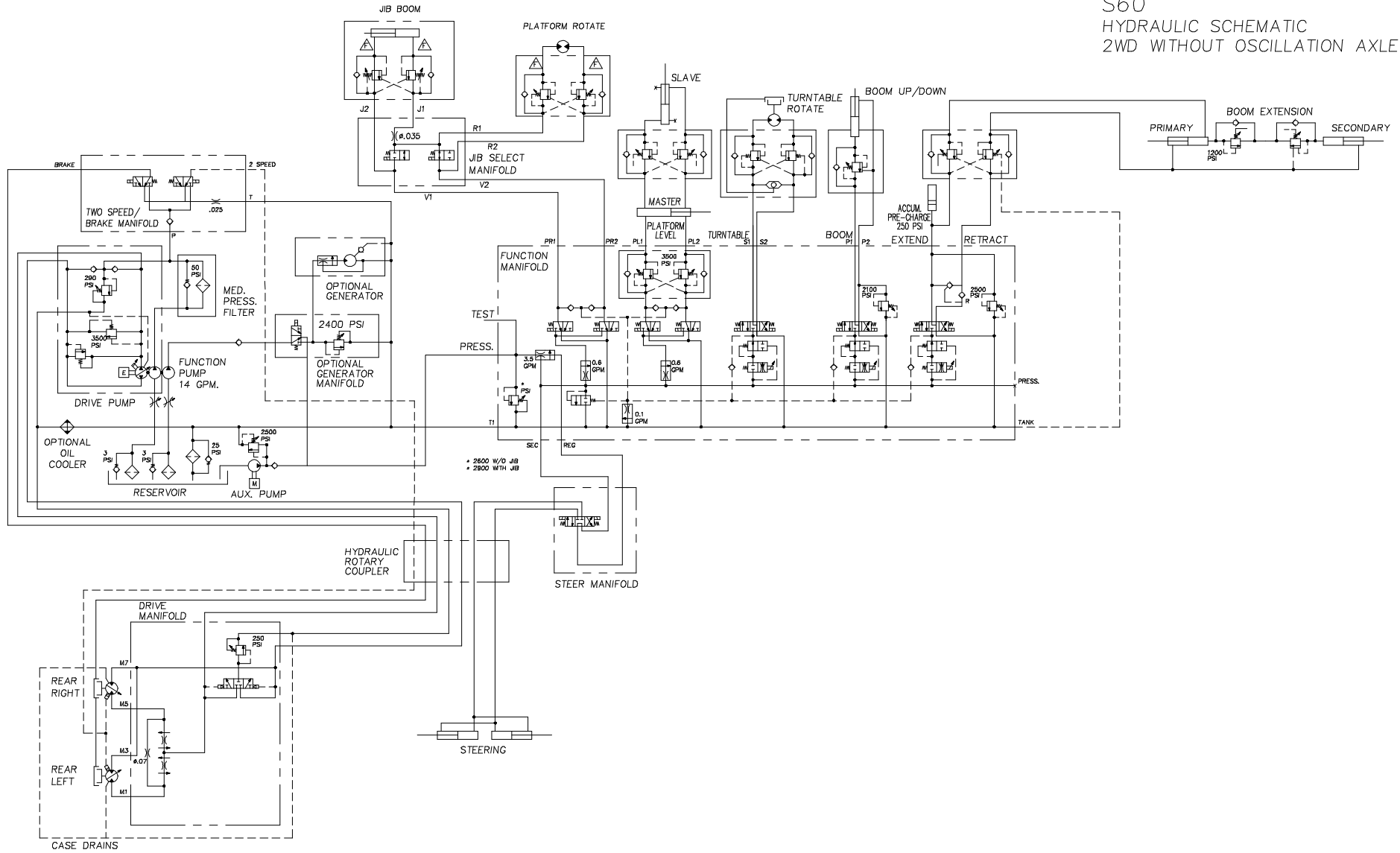
S60/65 2WD  
 HYDRAULIC SCHEMATIC  
 WITH OSCILLATING AXLE  
 SERIAL# 653 TO 2305



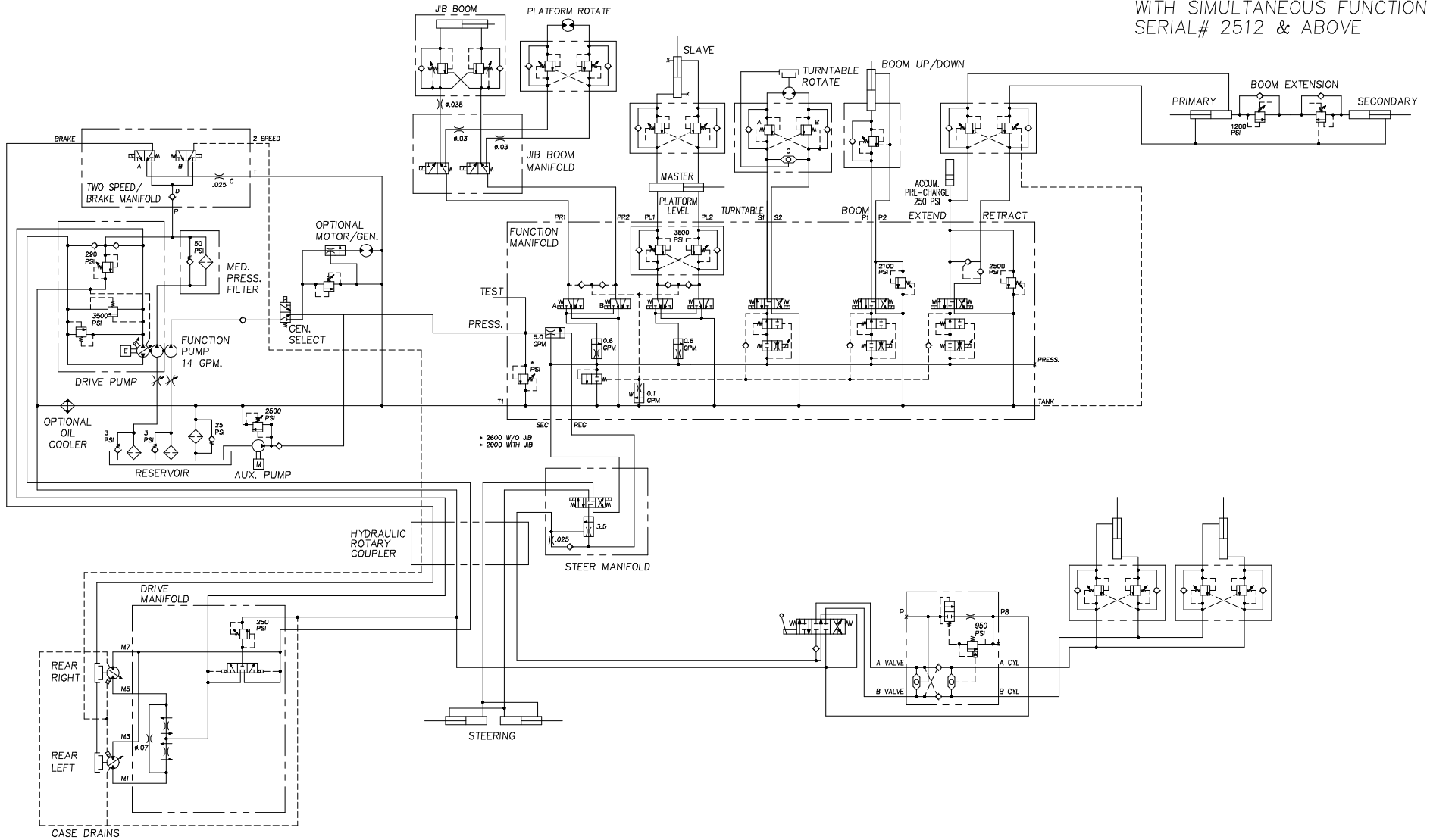
S60 2WD  
 HYDRAULIC SCHEMATIC  
 WITHOUT OSCILLATING AXLE  
 WITH SIMULTANEOUS FUNCTIONS  
 SERIAL# 2331 AND ABOVE



S60  
 HYDRAULIC SCHEMATIC  
 2WD WITHOUT OSCILLATION AXLE

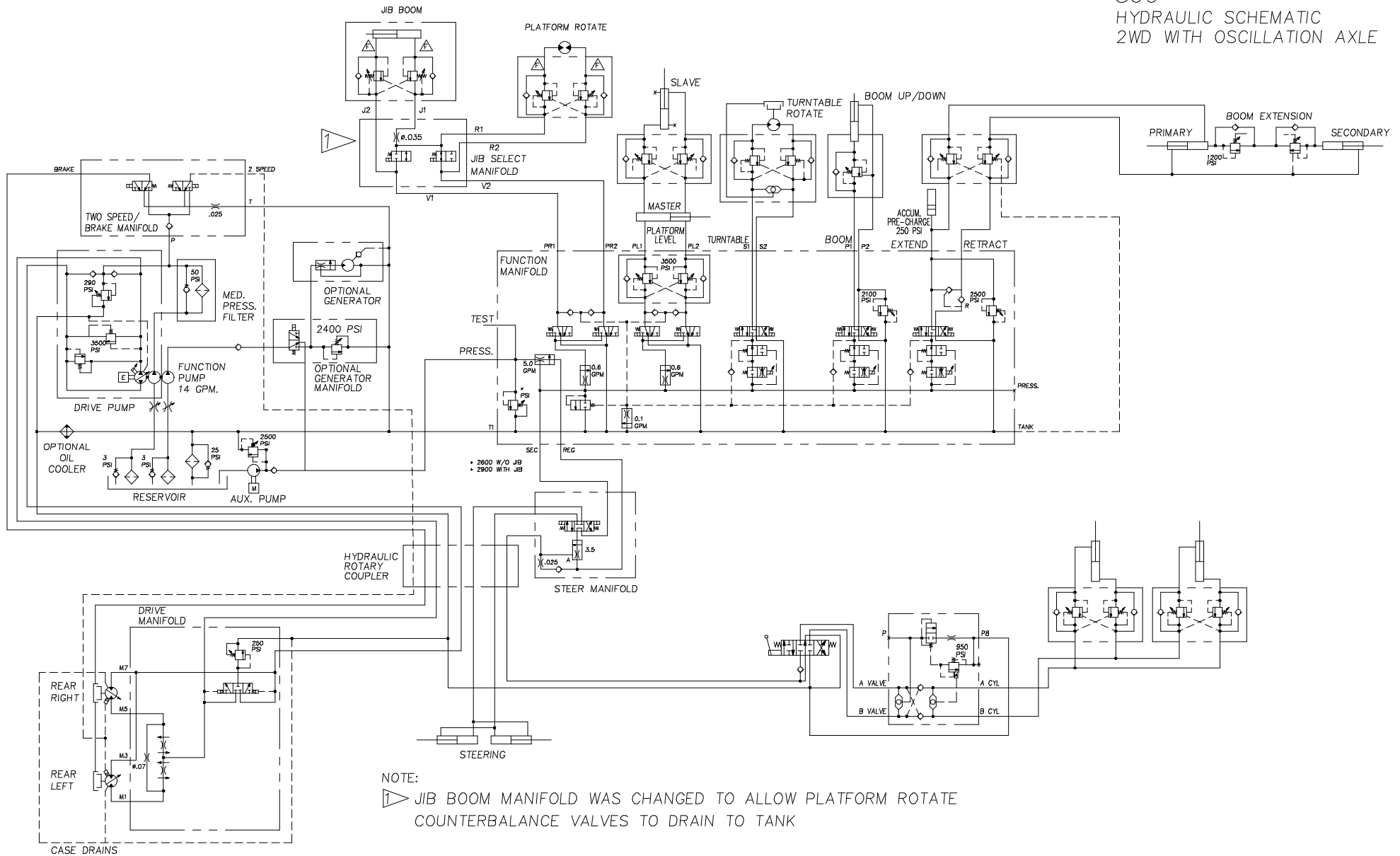


S60 2WD  
 HYDRAULIC SCHEMATIC  
 WITH OSCILLATING AXLE  
 WITH SIMULTANEOUS FUNCTION  
 SERIAL# 2512 & ABOVE

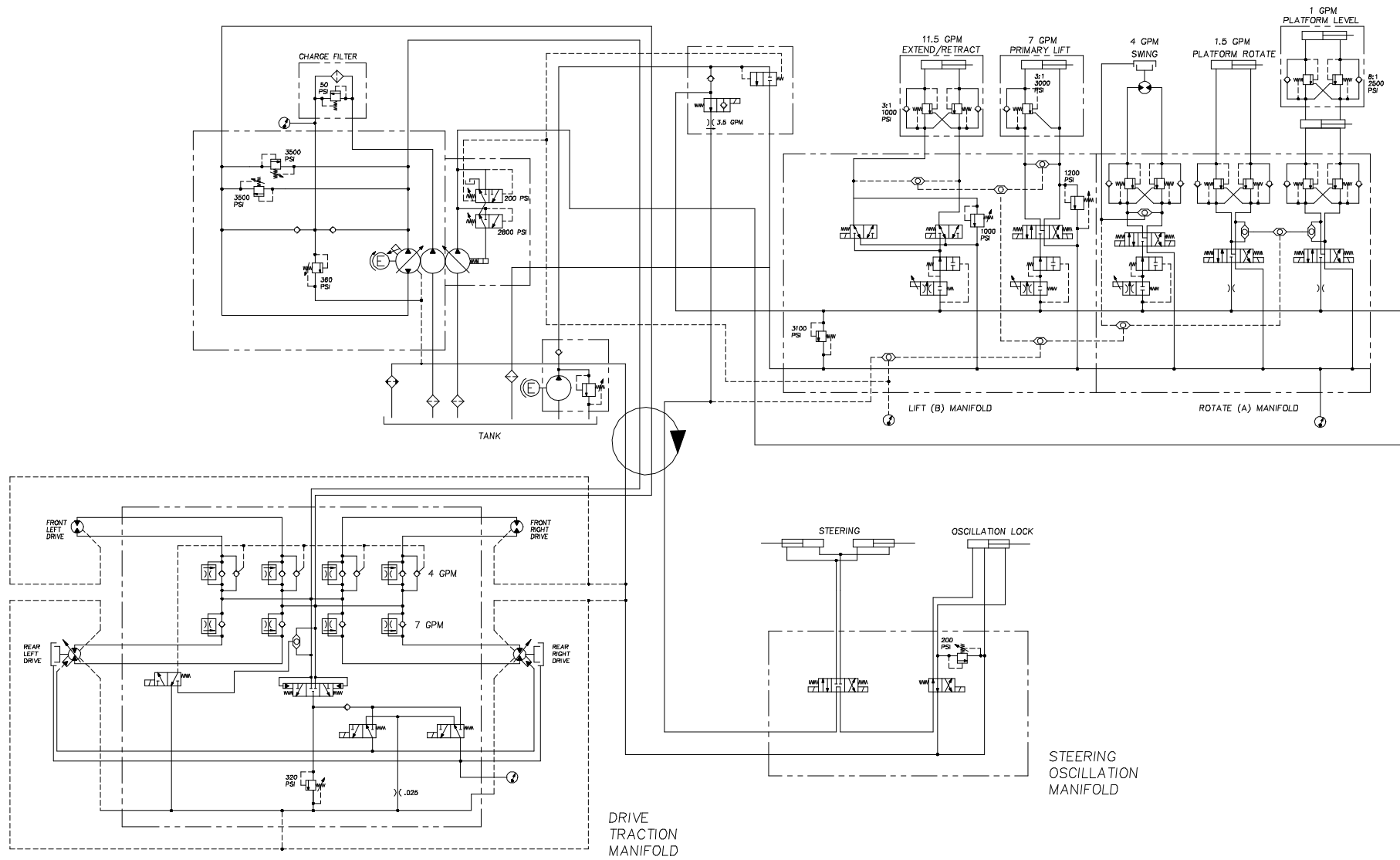




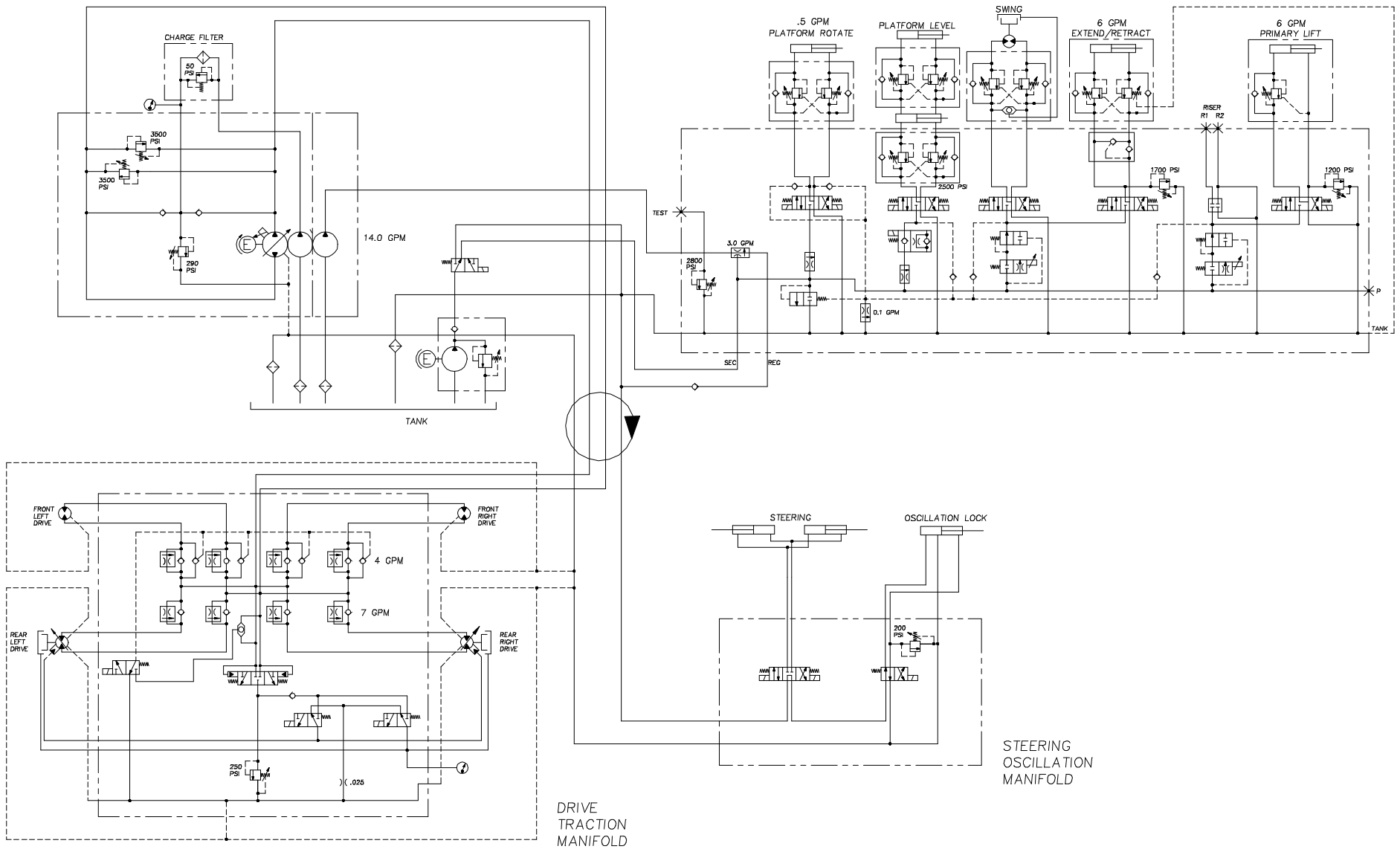
S60  
HYDRAULIC SCHEMATIC  
2WD WITH OSCILLATION AXLE



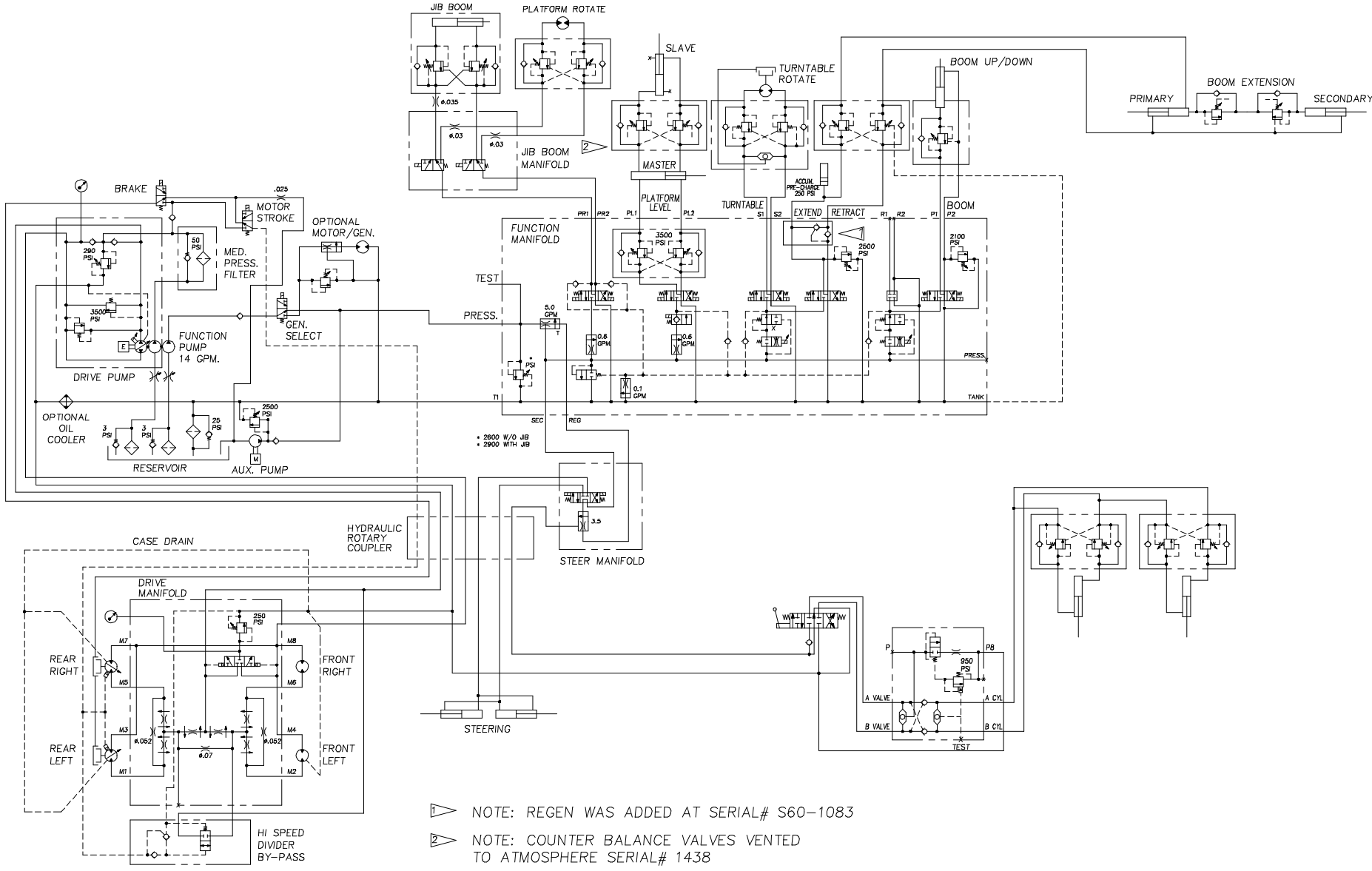
S60 4WD  
 HYDRAULIC SCHEMATIC  
 SERIAL # 102 TO 429



S60 4WD  
 HYDRAULIC SCHEMATIC  
 SERIAL # 430 TO 652

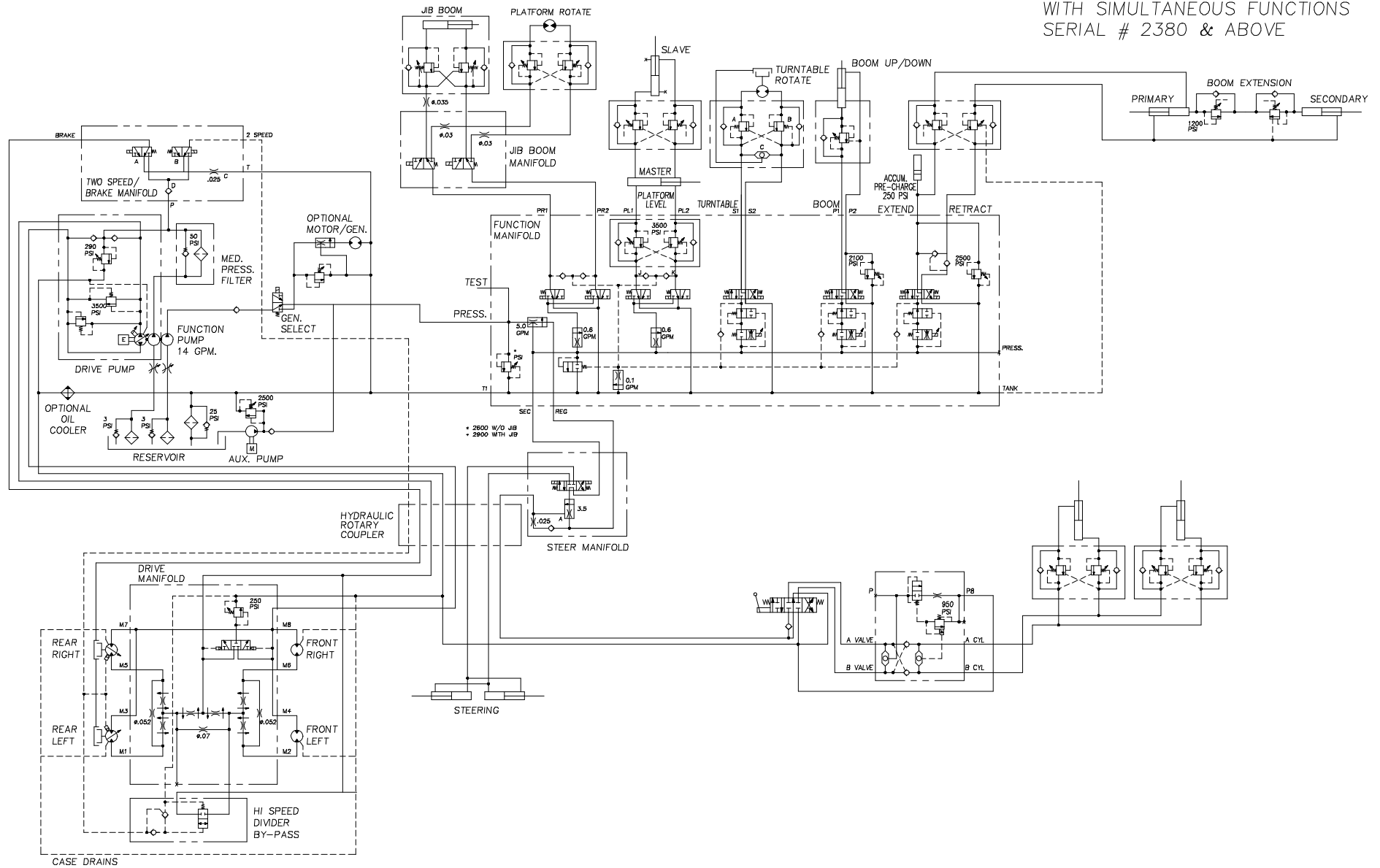


S60/65 4WD  
 HYDRAULIC SCHEMATIC  
 SERIAL # 654 TO 2329



- ▷ NOTE: REGEN WAS ADDED AT SERIAL# S60-1083
- ▷ NOTE: COUNTER BALANCE VALVES VENTED TO ATMOSPHERE SERIAL# 1438

S60 4WD  
 HYDRAULIC SCHEMATIC  
 WITH SIMULTANEOUS FUNCTIONS  
 SERIAL # 2380 & ABOVE



S60  
 HYDRAULIC SCHEMATIC  
 4WD WITH OSCILLATION AXLE  
 SERIAL #7402 & ABOVE

