

**V1**

**V4M**

**Page:**

**Model:**

**Serial Number:**

V1-01

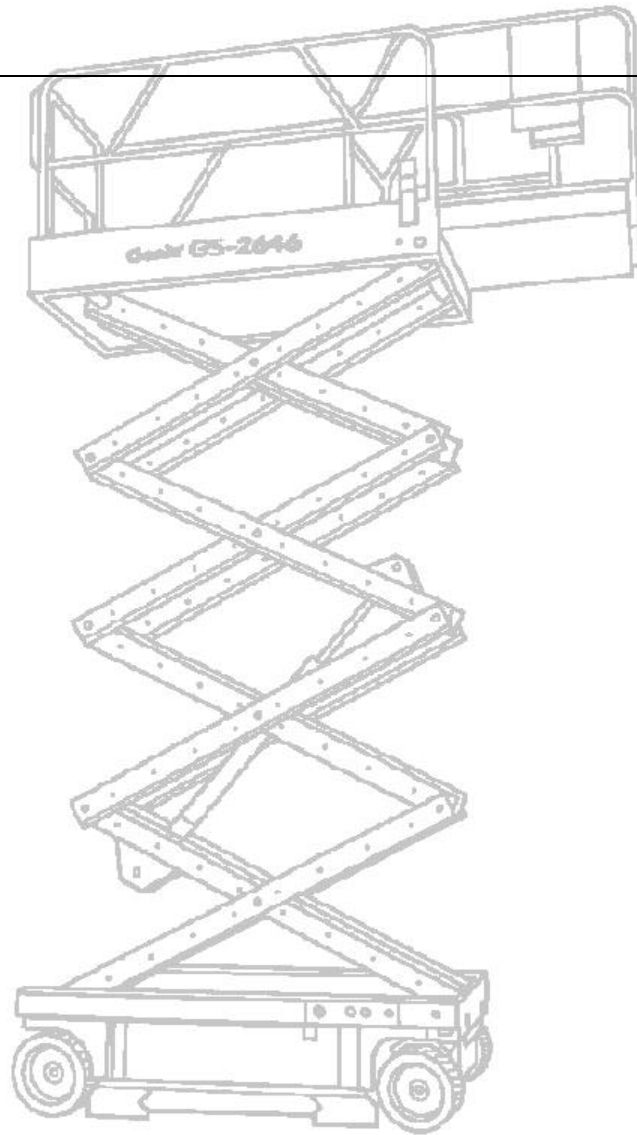
V4M - Electrical Schematic

V1-02

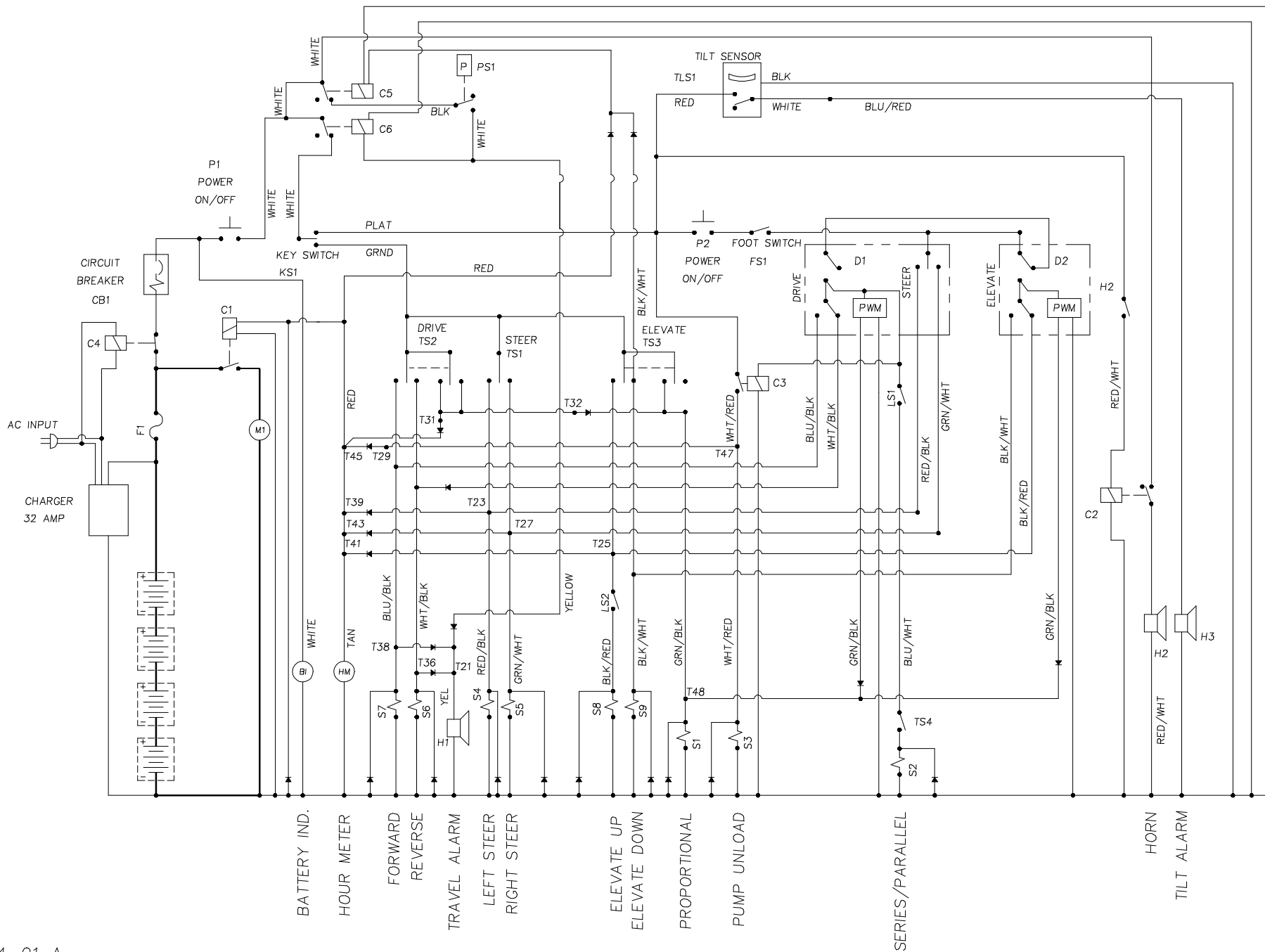
V4M - Wiring

V1-03

V4M - Hydraulic Schematic



# V4M ELECTRICAL SCHEMATIC





# V4M HYDRAULIC SCHEMATIC

