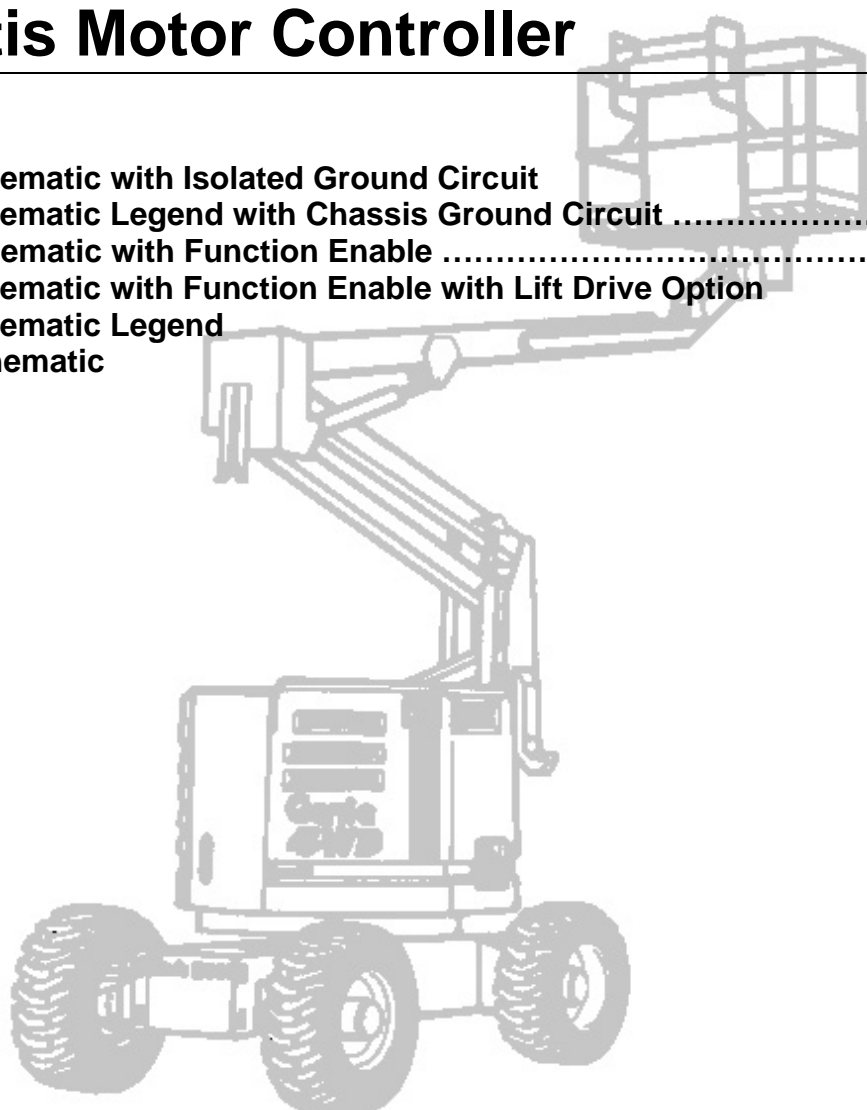


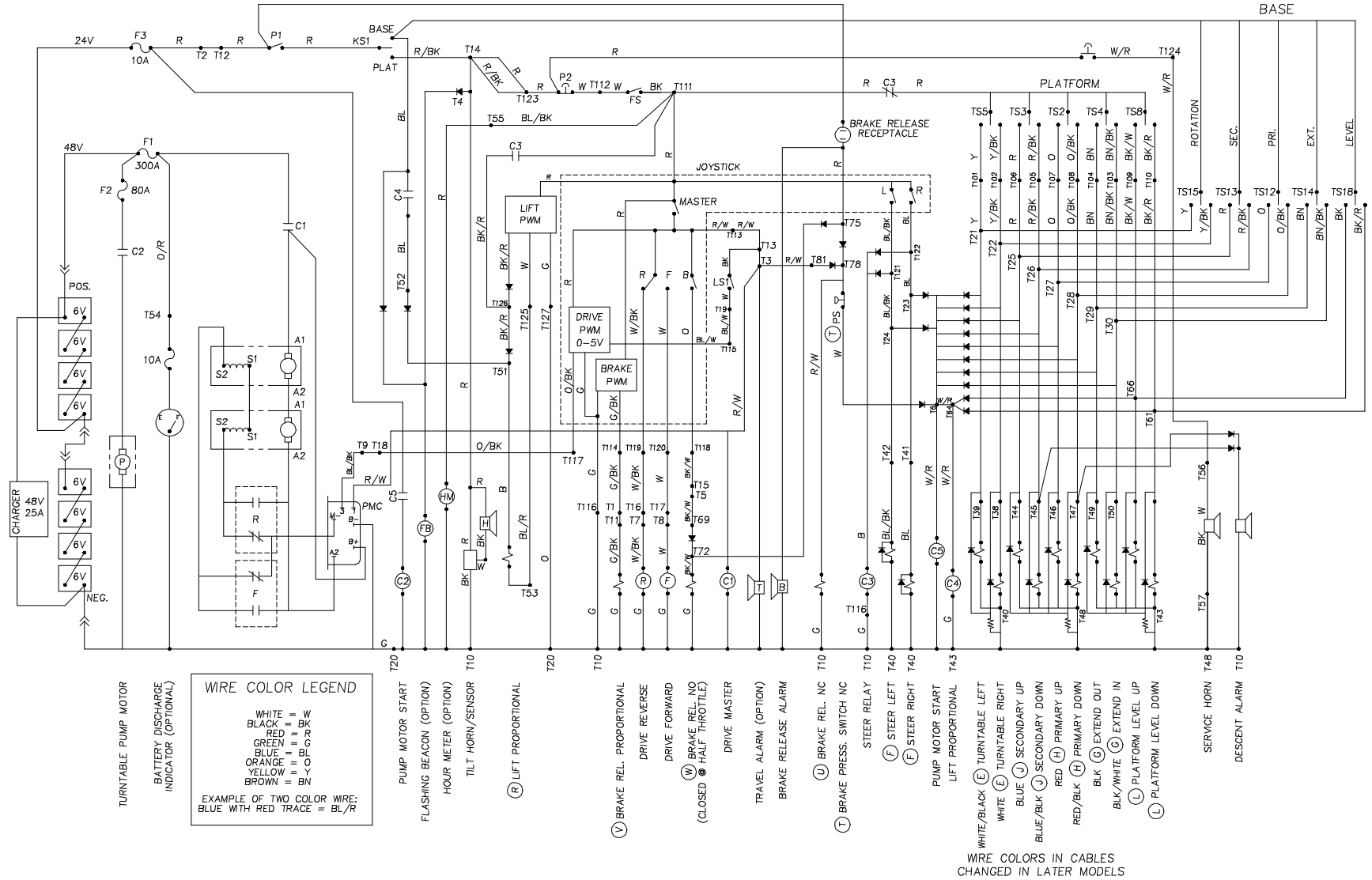
Z3 Z30/20 Curtis Motor Controller

Page: Model: Serial Number:

Z3-01	Z30/20 – Electrical Schematic with Isolated Ground Circuit	
Z3-02	Z30/20 – Electrical Schematic Legend with Chassis Ground Circuit	4069 to 4369
Z3-03	Z30/20 – Electrical Schematic with Function Enable	4370 & Above
Z3-04	Z30/20 – Electrical Schematic with Function Enable with Lift Drive Option	" " " "
Z3-05	Z30/20 – Electrical Schematic Legend	
Z3-06	Z30/20 – Hydraulic Schematic	

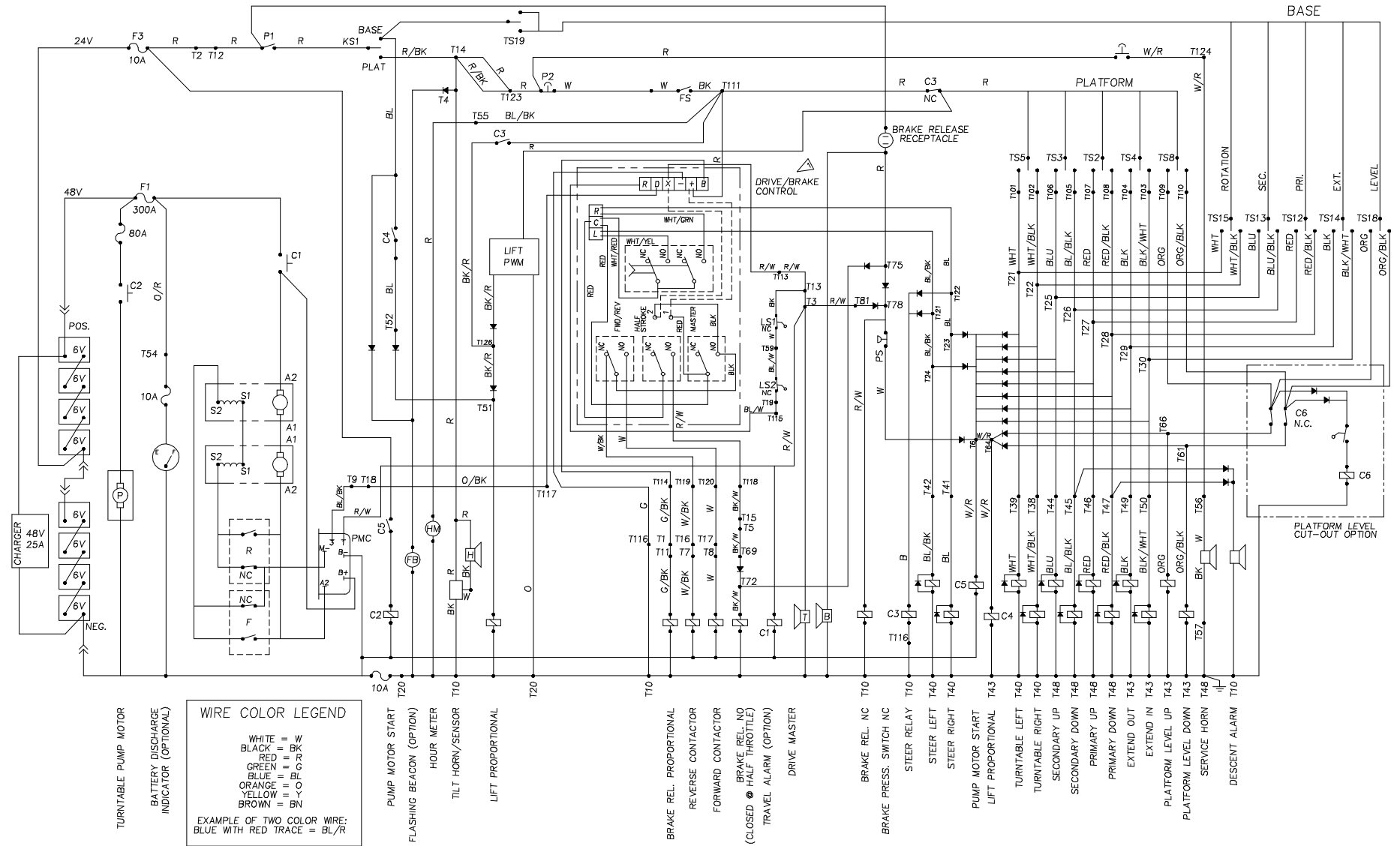


Z30/20 CURTIS MOTOR CONTROLLER ELECTRICAL SCHEMATIC WITH ISOLATED GROUND CIRCUIT

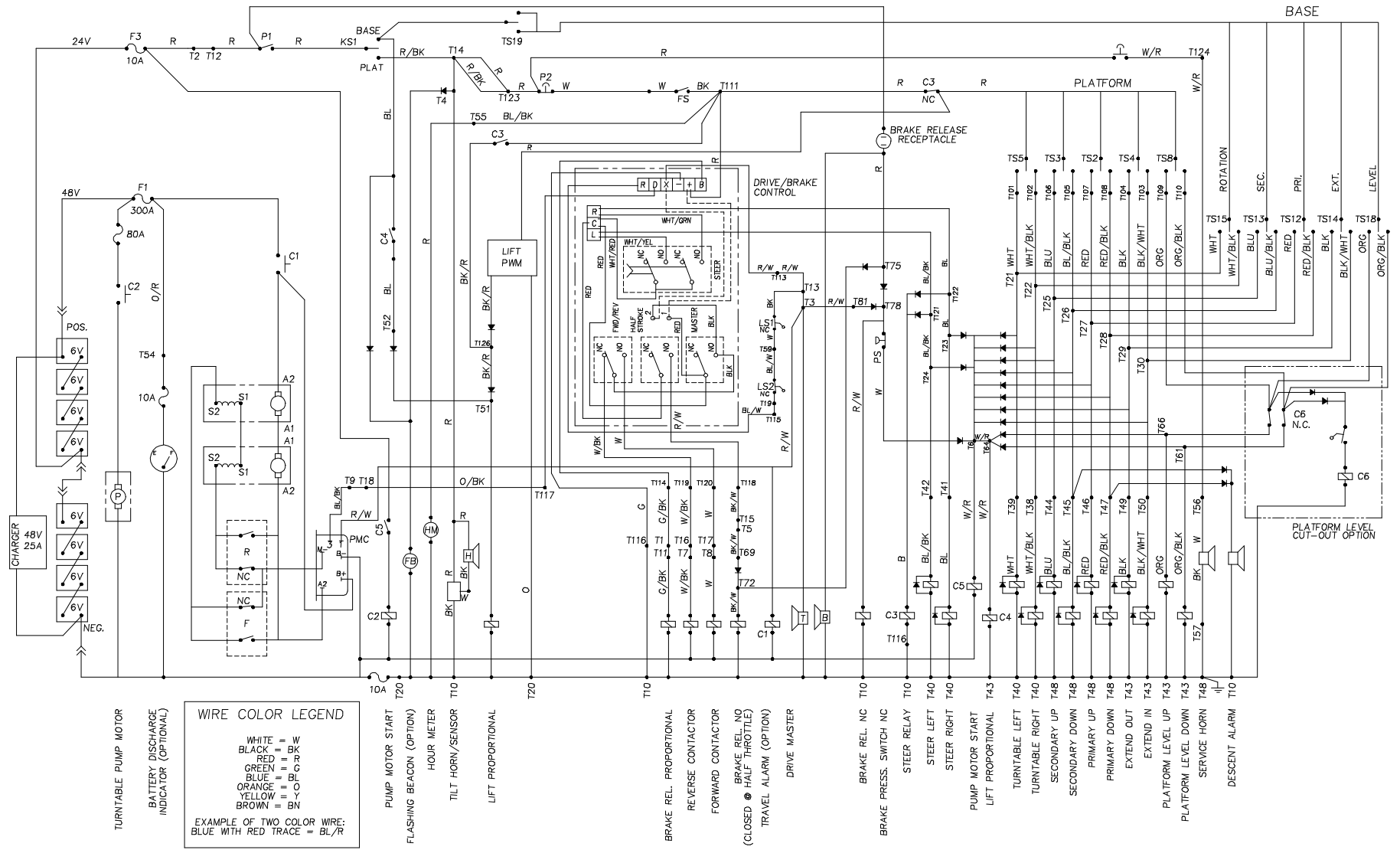


Z30/20 CURTIS MOTOR CONTROLLER
ELECTRICAL SCHEMATIC
WITH CHASSIS GROUND CIRCUIT
SERIAL # Z30-4069 TO Z30-4369

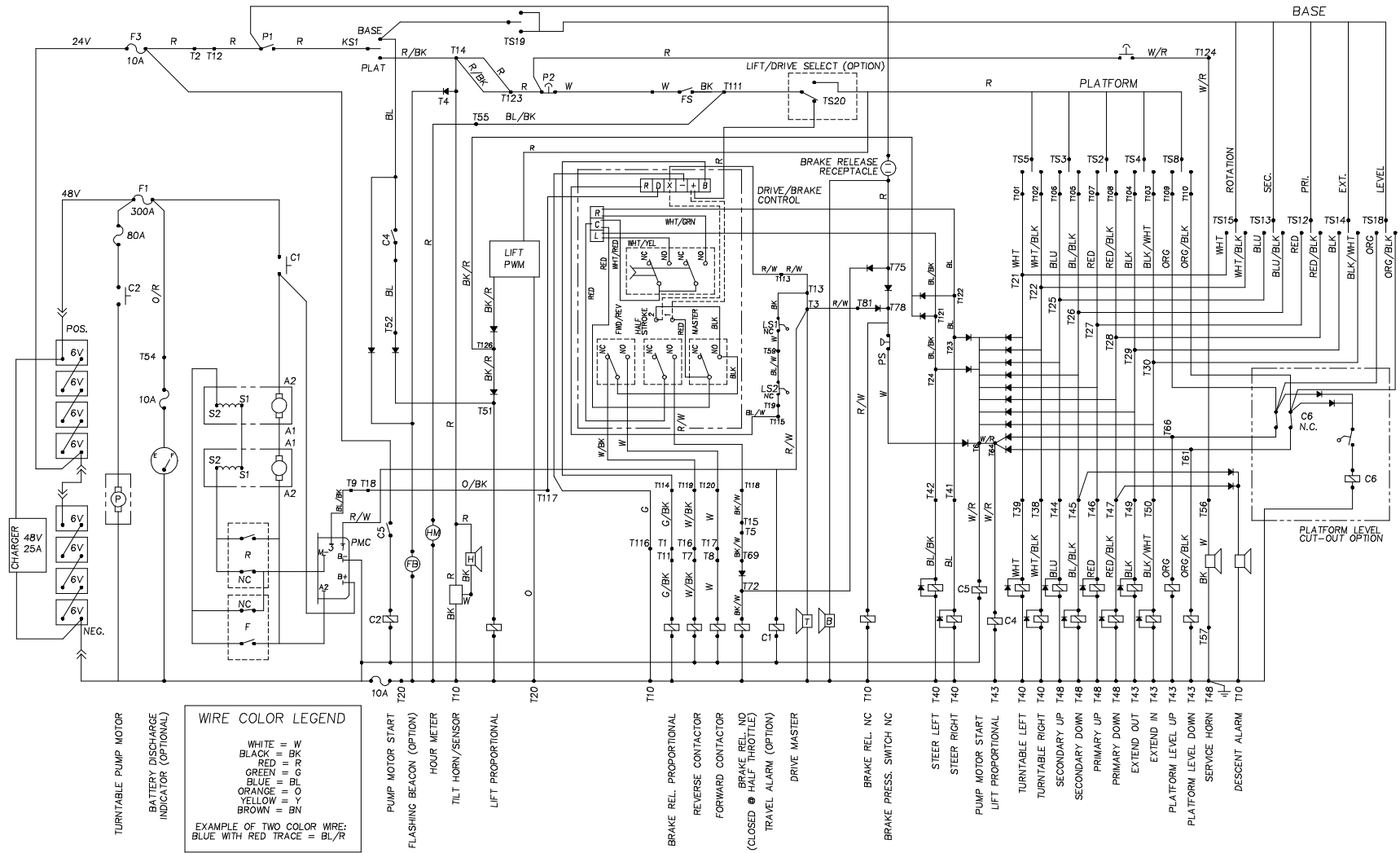
NOTES:
DRIVE JOYSTICK WENT TO SINGLE PC BOARD AT
SERIAL # Z30-4285



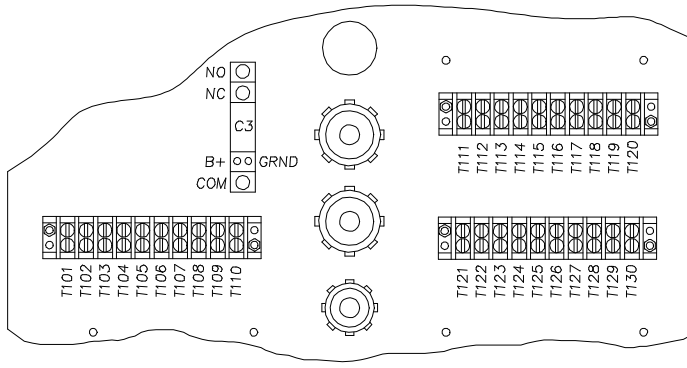
Z30/20 CURTIS MOTOR CONTROLLER ELECTRICAL SCHEMATIC WITH FUNCTION ENABLE SERIAL # Z30-4370 & ABOVE



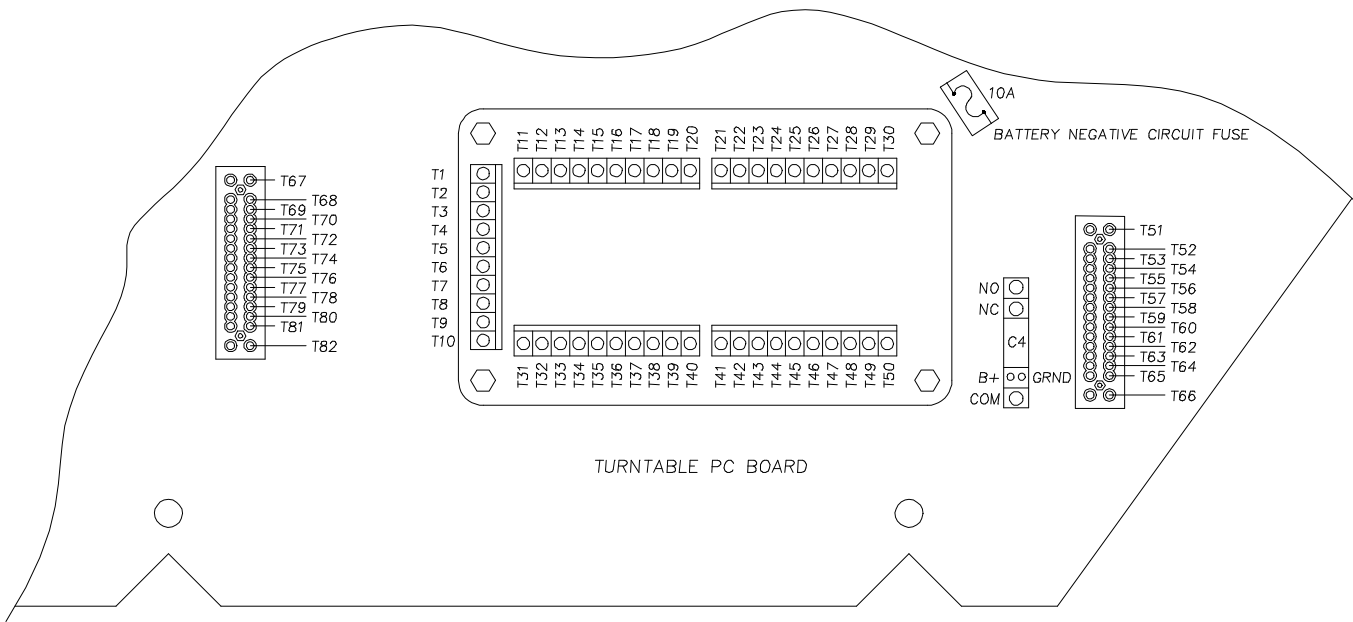
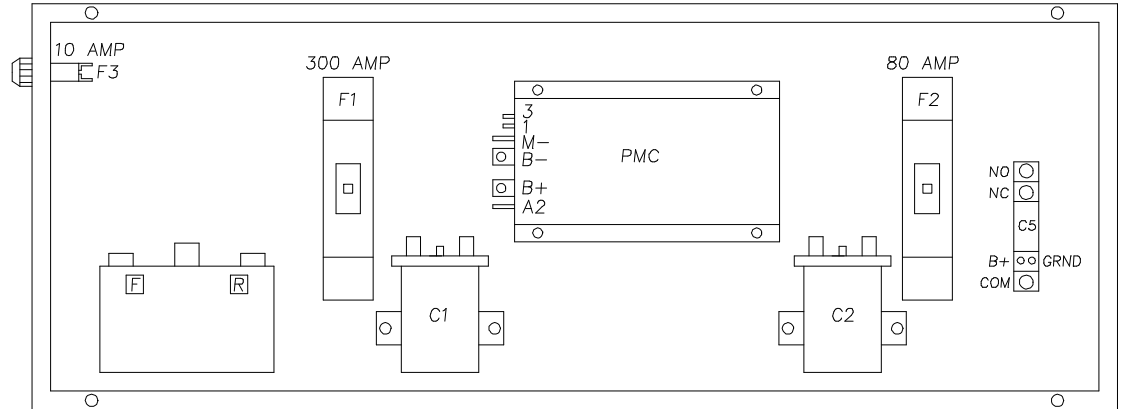
Z30/20 CURTIS MOTOR CONTROLLER
 ELECTRICAL SCHEMATIC
 WITH FUNCTION ENABLE
 WITH LIFT DRIVE OPTION
 SERIAL # Z30-4370 & ABOVE



Z30/20 CURTIS MOTOR CONTROLLER ELECTRICAL SCHEMATIC LEGEND

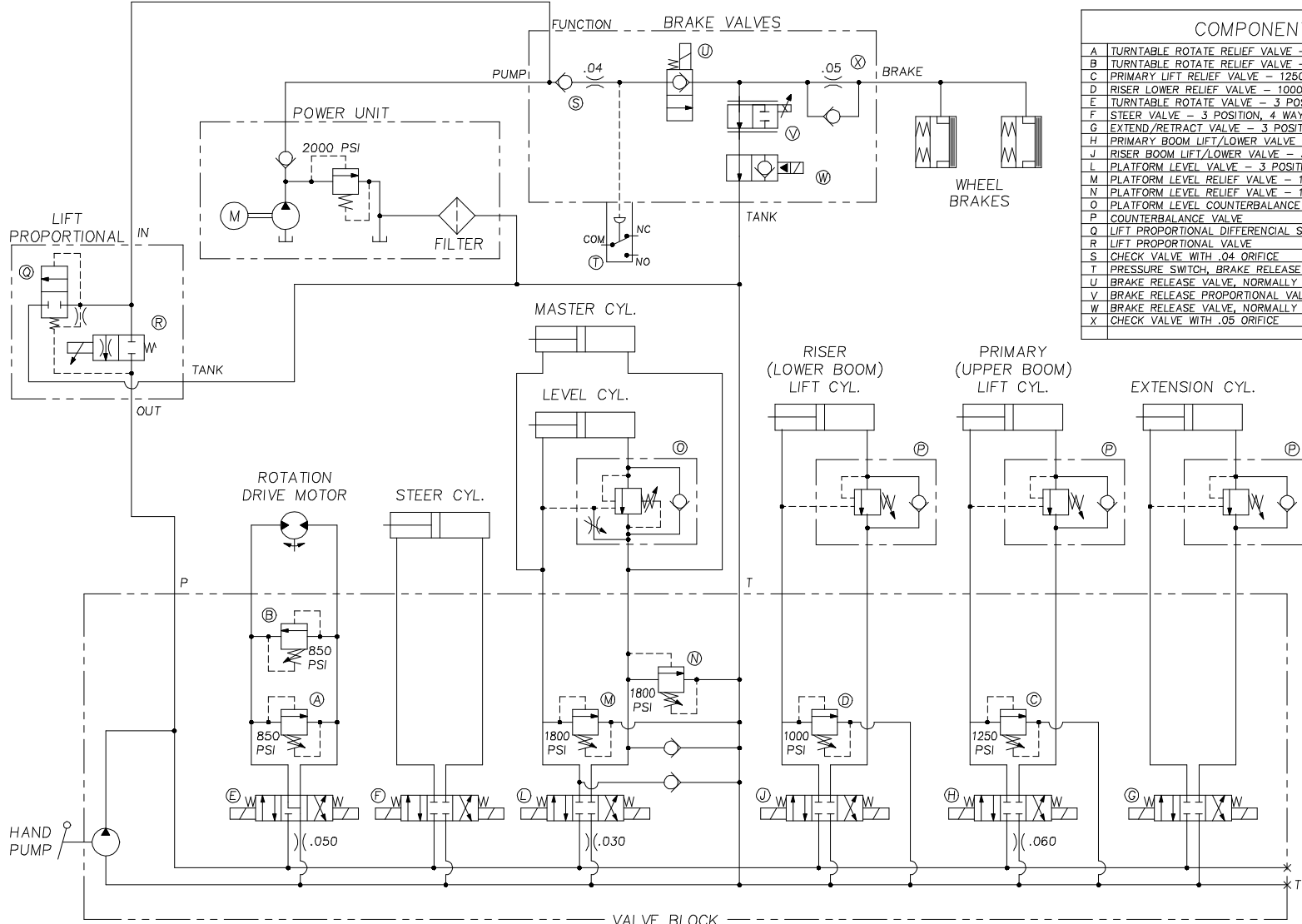


PLATFORM CONTROL BOX



TURNTABLE PC BOARD

Z30/20 CURTIS MOTOR CONTROLLER
HYDRAULIC SCHEMATIC



COMPONENTS LEGEND		
A	TURNTABLE ROTATE RELIEF VALVE - 850 PSI	PN. 21373
B	TURNTABLE ROTATE RELIEF VALVE - 850 PSI	PN. 21373
C	PRIMARY LIFT RELIEF VALVE - 1250 PSI	PN. 29030
D	RISER LOWER RELIEF VALVE - 1000 PSI	PN. 13222-2
E	TURNTABLE ROTATE VALVE - 3 POSITION, 4 WAY	PN. 27261
F	STEER VALVE - 3 POSITION, 4 WAY	PN. 27260
G	EXTEND/RETRACT VALVE - 3 POSITION, 4 WAY	PN. 27260
H	PRIMARY BOOM LIFT/LOWER VALVE - 3 POSITION, 4 WAY	PN. 27260
J	RISER BOOM LIFT/LOWER VALVE - 3 POSITION, 4 WAY	PN. 27260
L	PLATFORM LEVEL VALVE - 3 POSITION, 4 WAY	PN. 27260
M	PLATFORM LEVEL RELIEF VALVE - 1800 PSI	PN. 29028
N	PLATFORM LEVEL RELIEF VALVE - 1800 PSI	PN. 29028
O	PLATFORM LEVEL COUNTERBALANCE VALVE WITH INTERNAL BLEED	
P	COUNTERBALANCE VALVE	
Q	LIFT PROPORTIONAL DIFFERENTIAL SENSING VALVE	PN. 27526
R	LIFT PROPORTIONAL VALVE	PN. 29064
S	CHECK VALVE WITH .04 ORIFICE	
T	PRESSURE SWITCH, BRAKE RELEASE	PN. 25033
U	BRAKE RELEASE VALVE, NORMALLY CLOSED	PN. 45544
V	BRAKE RELEASE PROPORTIONAL VALVE	PN. 25034
W	BRAKE RELEASE VALVE, NORMALLY OPEN	PN. 25036
X	CHECK VALVE WITH .05 ORIFICE	PN. 45543