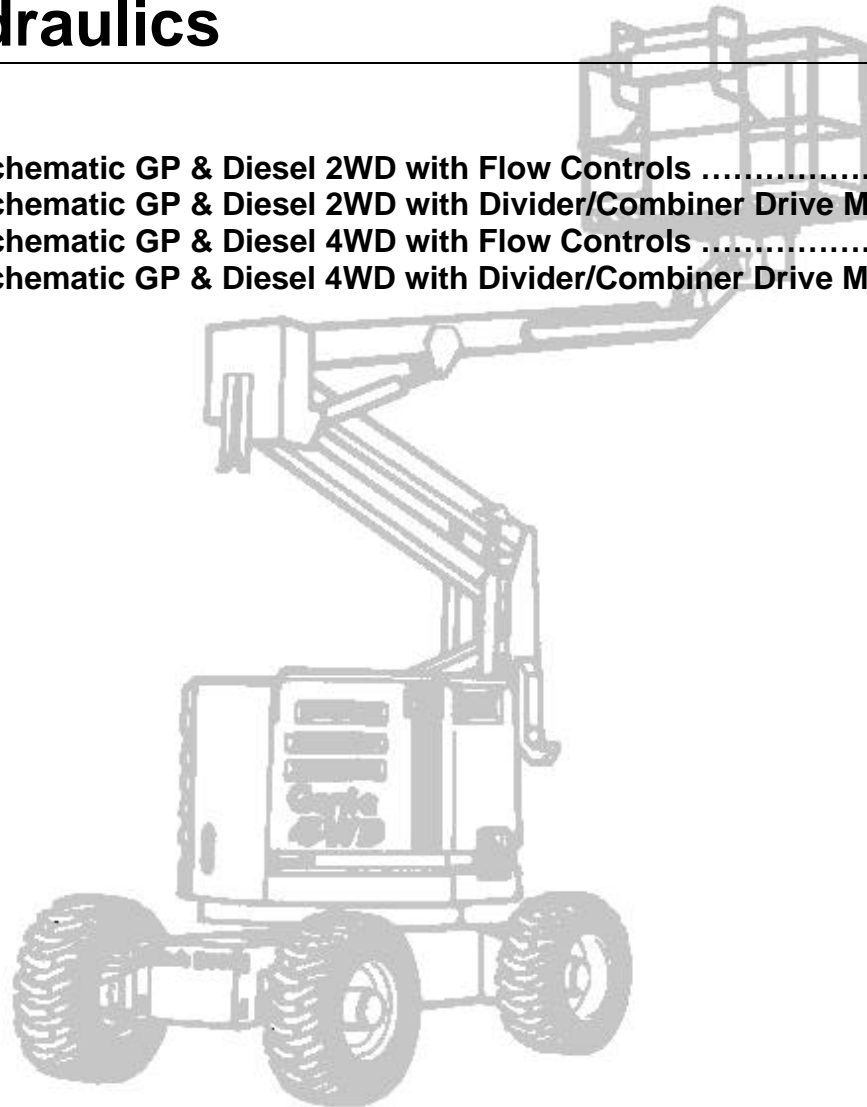


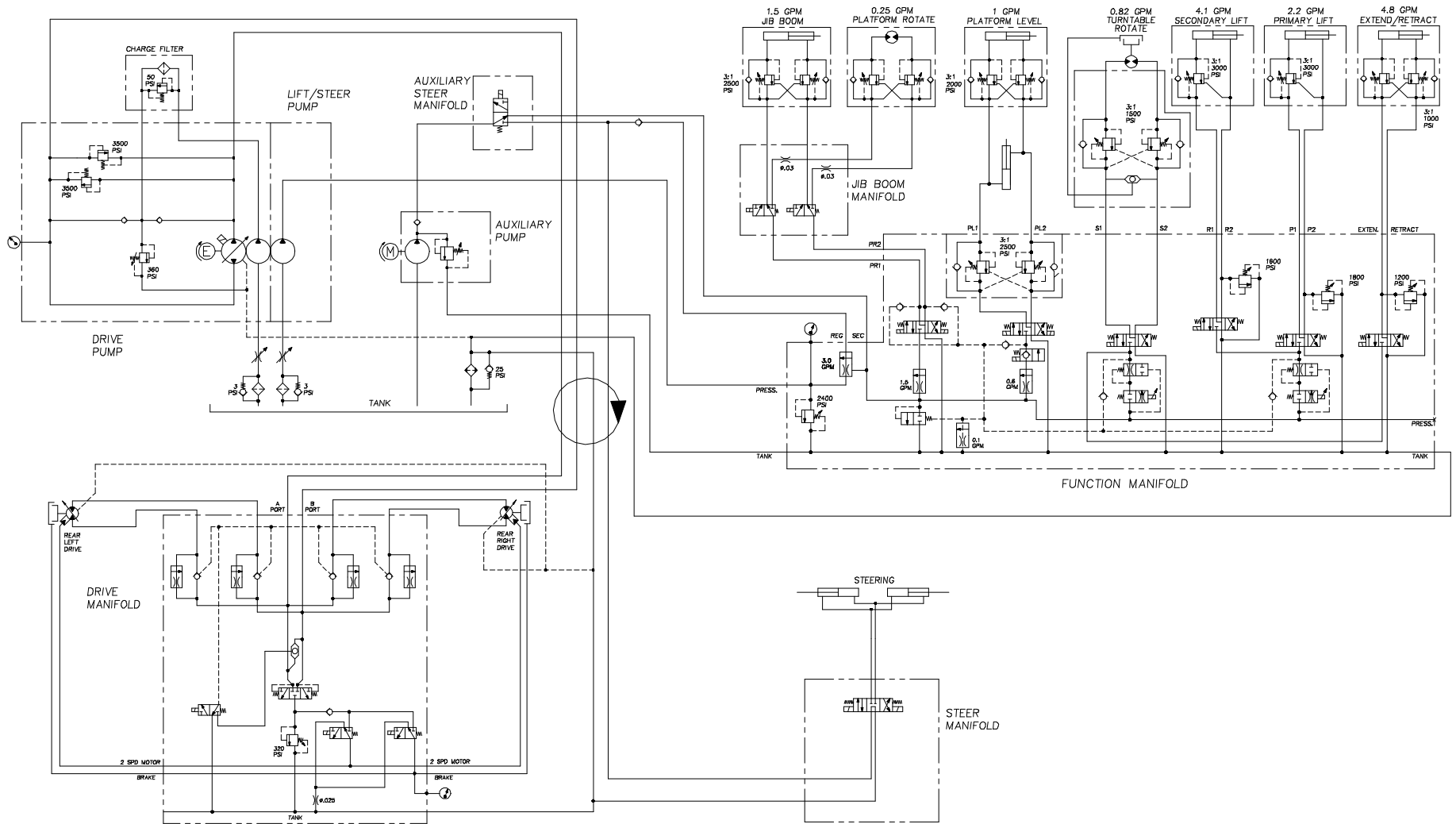
Z17 Z60/34 Hydraulics

Page: Model: Serial Number:

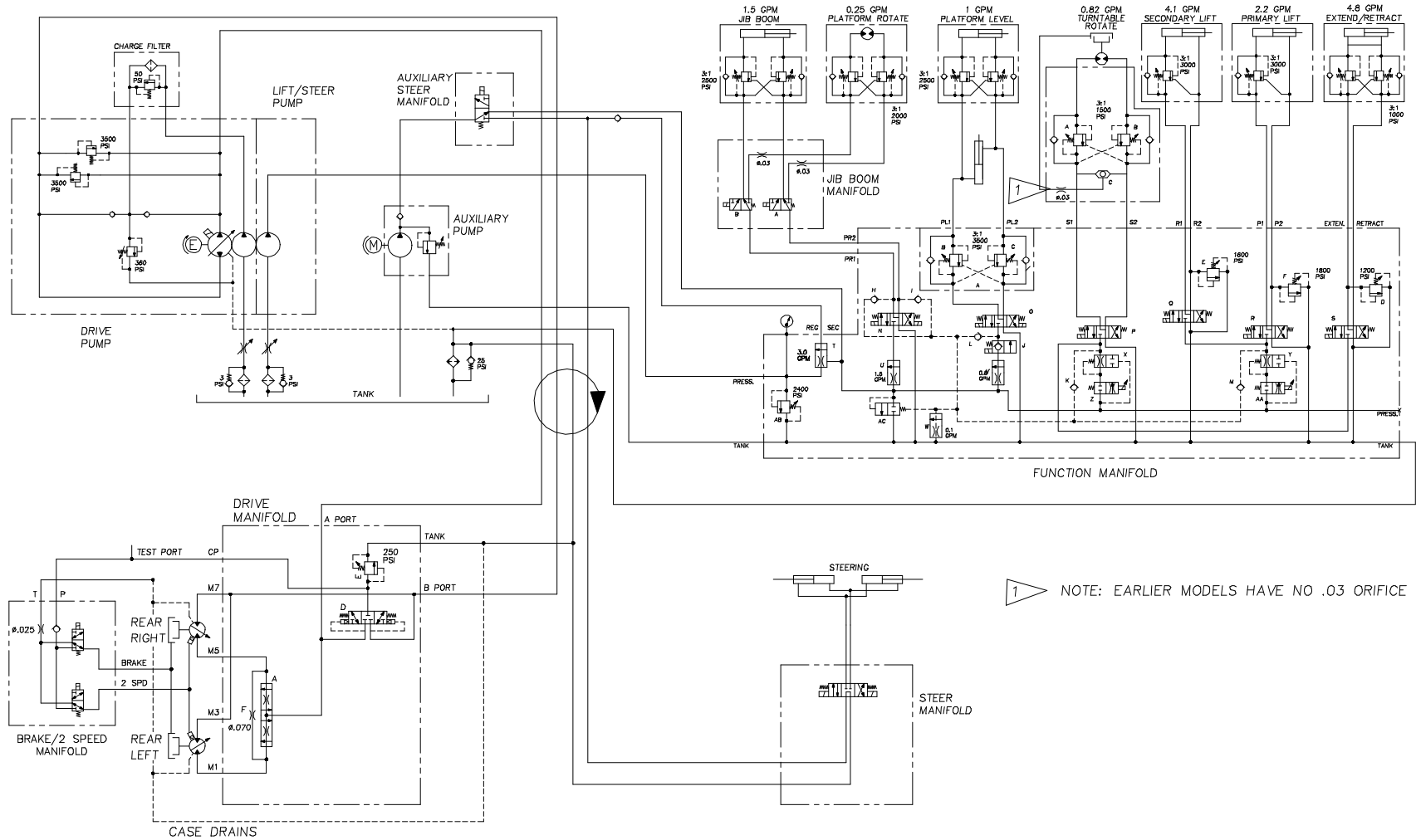
Z17-01	Z60/34 – Hydraulic Schematic GP & Diesel 2WD with Flow Controls	104 to 670
Z17-02	Z60/34 – Hydraulic Schematic GP & Diesel 2WD with Divider/Combiner Drive Manifold ...	671 & above
Z17-03	Z60/34 – Hydraulic Schematic GP & Diesel 4WD with Flow Controls	101 to 668
Z17-04	Z60/34 – Hydraulic Schematic GP & Diesel 4WD with Divider/Combiner Drive Manifold ..	673 & above



Z60/34
 HYDRAULIC SCHEMATIC
 GP & DIESEL 2WD
 WITH FLOW CONTROLS
 SERIAL# 104 TO 670

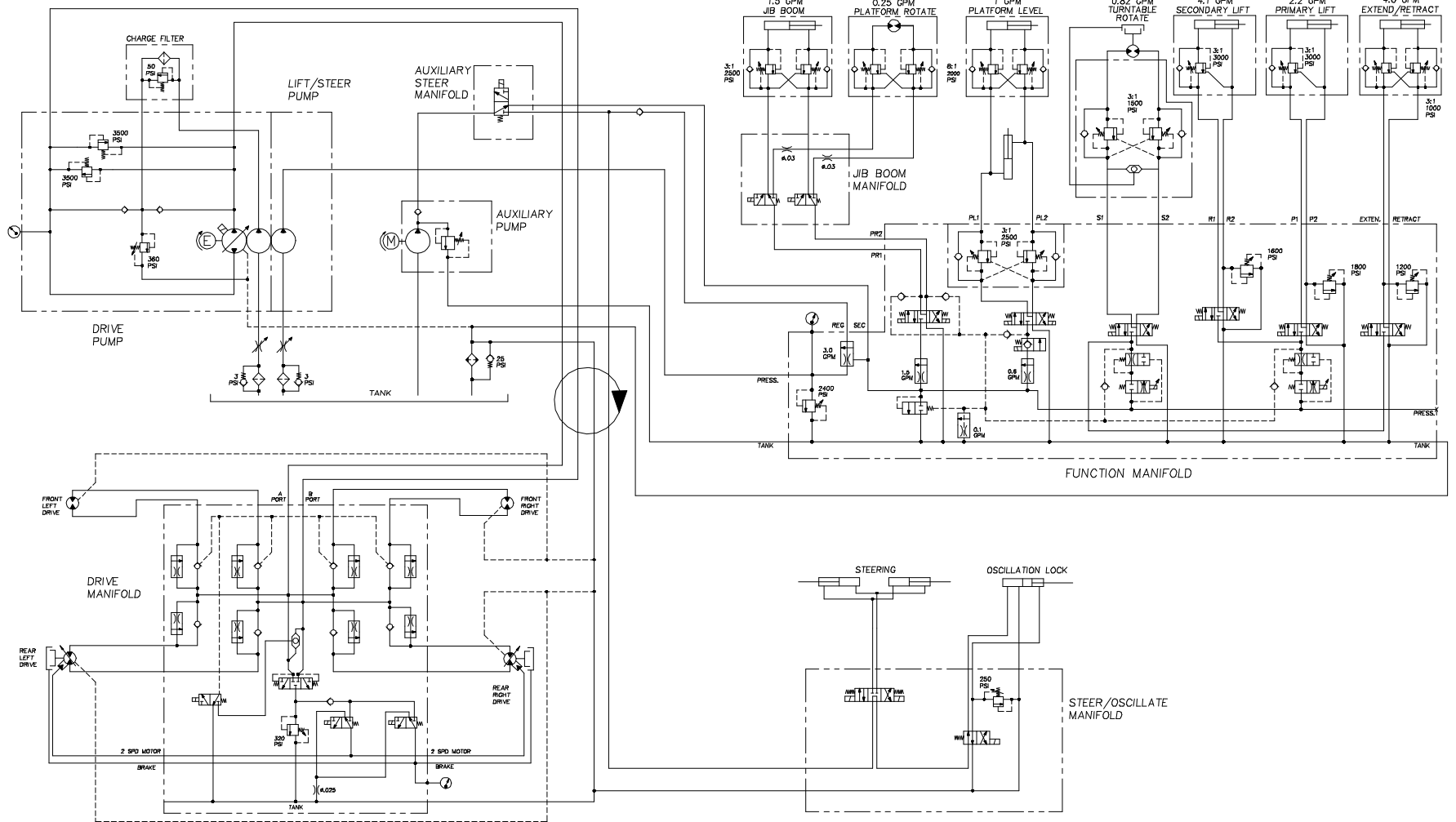


Z60/34
 HYDRAULIC SCHEMATIC
 GP & DIESEL 2WD
 WITH DIVIDER/COMBINER DRIVE MANIFOLD
 SERIAL# 671 & ABOVE

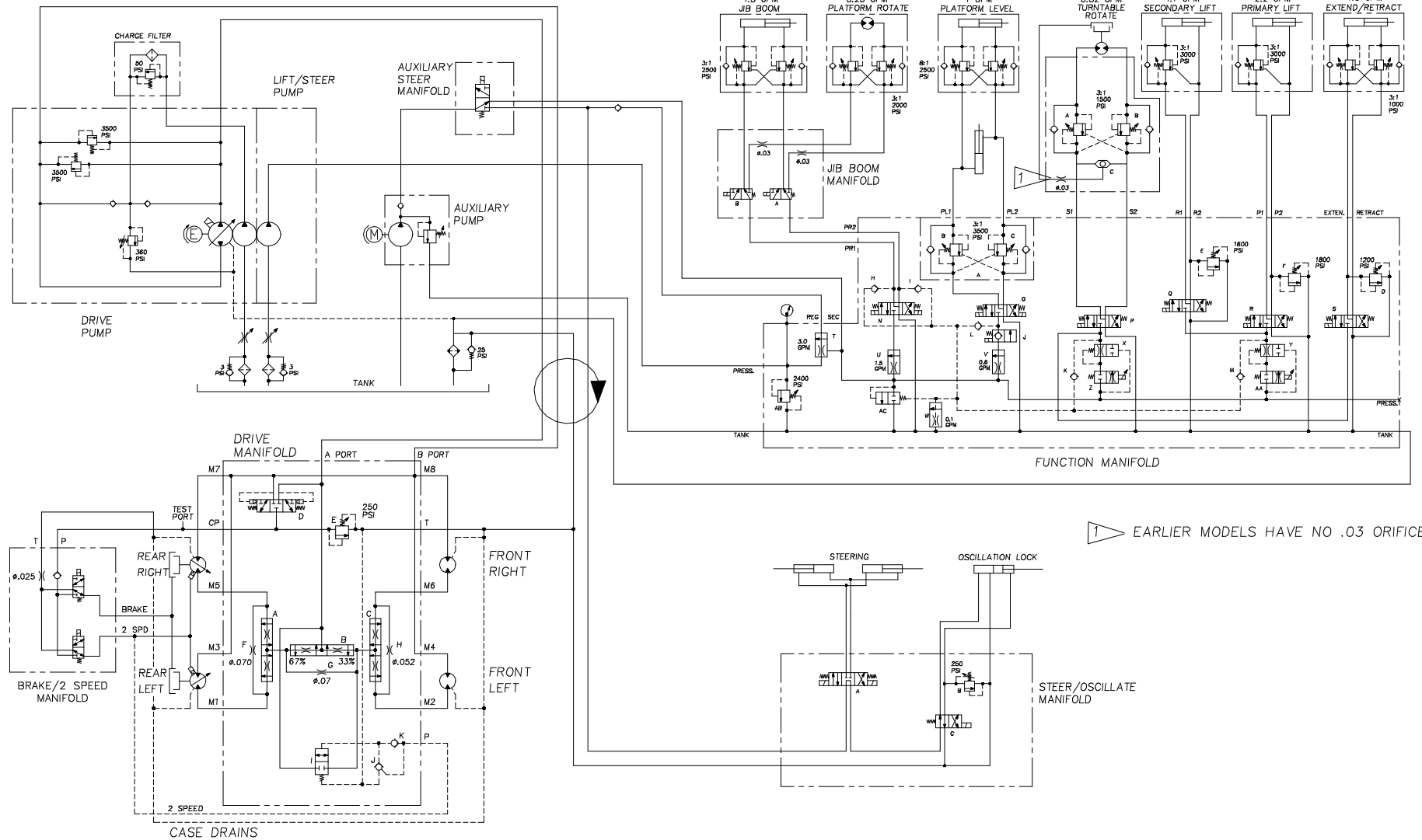


NOTE: EARLIER MODELS HAVE NO .03 ORIFICE

Z60/34
 HYDRAULIC SCHEMATIC
 GP & DIESEL 4WD
 WITH FLOW CONTROLS
 SERIAL# 101 to 668



Z60/34
 HYDRAULIC SCHEMATIC
 GP & DIESEL 4WD
 WITH DIVIDER/COMBINER DRIVE MANIFOLD
 SERIAL# 673 & ABOVE



1 EARLIER MODELS HAVE NO .03 ORIFICE